



WINDOW TECHNOLOGY – LIFT&SLIDE HARDWARE

## HS LiftUnit

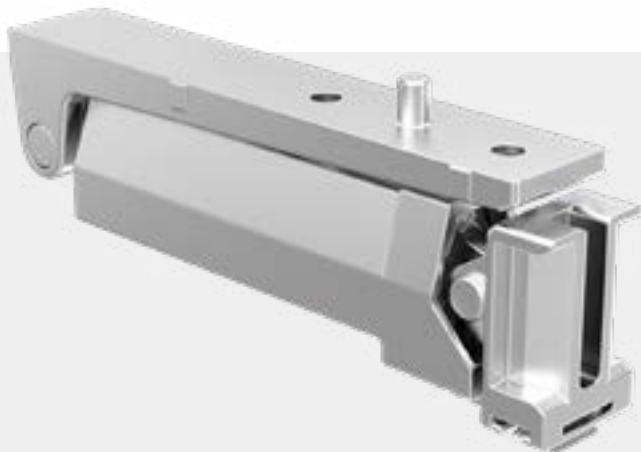
For Lift&Slide systems of timber, PVC and aluminium



HS LiftUnit  
installation video

### Noticeably easier – also with heavy sashes

The size of glazing panels is steadily increasing which leads to heavier Lift&Slide doors and means that more force is required to open and close them. The HS LiftUnit offers a convenient solution: the maintenance-free system supports the lifting of sashes weighing 150 kg or more and reduces the operating force required at the handle by up to 50 %. This means you can effortlessly move even large and heavy sashes weighing up to 400 kg – and even sashes weighing up to 600 kg can be safely and easily operated at a force which is within the maximum permissible limit.



### 'bfb barrierefrei bauen' product of the year 2025



In 2025, 'bfb barrierefrei bauen' named our HS LiftUnit barrier-free 'Product of the year' as it makes the operation of Lift&Slide elements significantly easier, halves the required operating force and noticeably improves everyday accessibility. This is how we noticeably increase your ease of use.



## A closer look at the HS LiftUnit

The HS LiftUnit stands out in our Lift&Slide hardware range as a product that perfectly adapts to individual comfort, security and functionality requirements.

### YOUR BENEFITS as fabricator at a glance:



- Faster, easier installation thanks to pre-mounted components
- Suitable for all customary sash arrangement patterns
- For sash weights up to 300 kg with HS LiftUnit Standard
- For sash weights up to 600 kg with HS LiftUnit Heavy
- Maintenance-free component
- **Assembly friendly:** the HS LiftUnit can be used with the roller unit GU-934, GU-937 and GU-937 N22 without having to modify the bogie groove or sash geometry. **The production process is therefore exactly the same as before.**

### YOUR BENEFITS as user at a glance:



- All components are concealed once installed and therefore satisfy the most exacting requirements in terms of design and visual appearance
- The operating force applied during lifting is reduced by 50 %
- The Lift&Slide door is operated in exactly the same way – no additional settings or adjustments are required
- **Easy retrofitting during renovations:** if new glass panes are installed and the weight of the door increases, the HS LiftUnit can be easily retrofitted. **The function of the element is therefore retained, and it can always be opened and closed even if it is very heavy.**