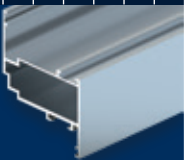




WINDOW TECHNOLOGY
DOOR TECHNOLOGY
AUTOMATIC ENTRANCE SYSTEMS
BUILDING MANAGEMENT SYSTEMS



WINDOW TECHNOLOGY – ORDER CATALOGUE



The Parallel-Slide hardware range with the ALU-JET 06 central locking system

Edition 03/2024

Securing technology for you



The Gretsch-Unitas Group

Opening, moving, closing, securing – true to its motto "Securing technology for you", Gretsch-Unitas group provides groundbreaking solutions for window and door technology, automatic entrance systems and building management systems. With its system brands, the group delivers solutions for burglar inhibition on doors and windows, for barrier-free building, for doors in escape and rescue routes, extending to individual facade solutions for projects.



Gretsch-Unitas GmbH Baubeschläge



GU in Ditzingen is the headquarters of the group, development, administration and the production of modern architectural hardware for window and door technology. Apart from different flexible assembly departments, the production site comprises a high-tech punching and galvanising facility.

BKS GmbH



BKS manufactures mechanical and electronic locking cylinders, locks, locking systems and panic locks for escape and rescue routes. Harmonised mechanical and electronic system solutions are available for access control.

FERCO International S.A.S.



Ferco is the largest production site for window hardware in France. As a subsidiary of the Gretsch-Unitas group, Ferco also offers customer support and distribution in France for all products of the group.



GU Automatic



GU Automatic offers innovative, secure and reliable solutions for automatic entrance systems and automatic door systems, revolving doors, all-glass sliding walls, security curved sliding doors and controlled physical access.

ela-soft

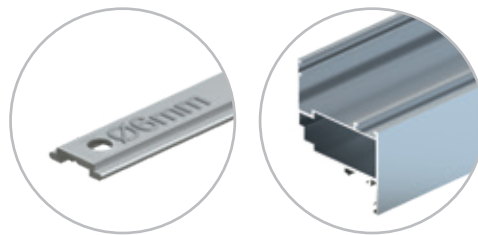


The successful GEMOS facility management and organisation system was designed by ela-soft, one of the market and technology leaders in the building technology branch.

Securing technology for you

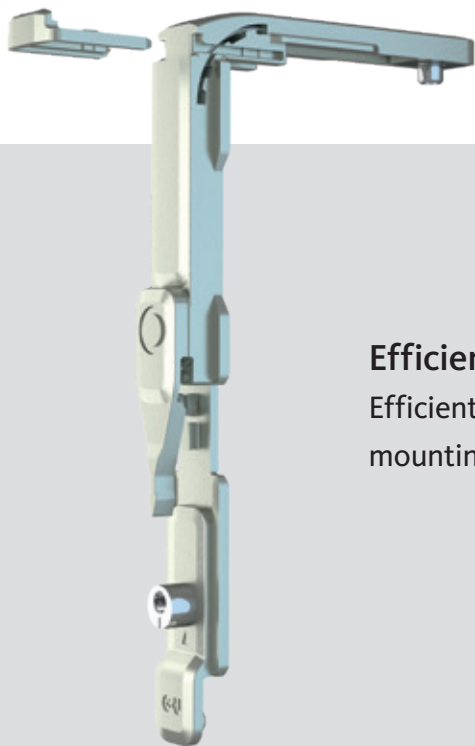


ALU-JET 06 central locking system



Application range:

- Suitable for all profile systems with 15/20 Euro-groove and 10/14, 12/15 or 14/18 frame groove
- For all window forms and opening types, such as Tilt&Turn, Tilt-First, Turn-Only, Tilt-Only, Horizontal-Pivot, Vertical Pivot, T&S oZ, P-S, F&S, Projecting Top-Hung, Parallel-Slide lightweight hardware (PSL), PSP, SHEV and special constructions
- 11.5 mm clearance
- 17.5 mm overlap width
- 7–12 mm overlap height
- 10 mm axis



Efficient toolless mounting

Efficient installation thanks to toolless mounting of corner-drives

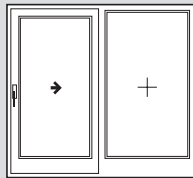
Benefits

- Efficient installation
- Toolless mounting of corner-drives
- Fixed connecting rod lengths on hinge side and bottom sash side (prefabrication possible)
- Suitable for all GU opening systems
- All components are non-handed
- Mishandling device integrated in the corner-drive, but still also available as a separate component to be fixed to the handle

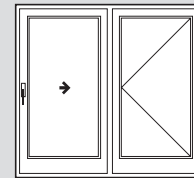


Sash configuration according to patterns

Pattern A with mullion

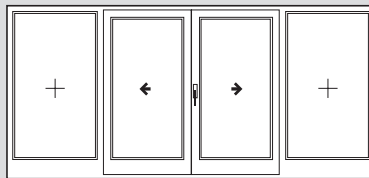


1 sliding sash / 1 fixed glazing
Drawing: left version

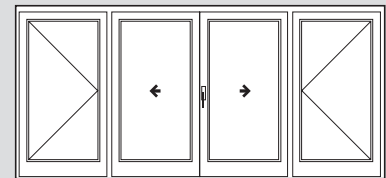


1 sliding sash / 1 Turn-Only sash [1]
Drawing: left version

Pattern C with mullion

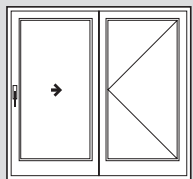


2 sliding sashes / 2 fixed glazings
Drawing: active sash, left version



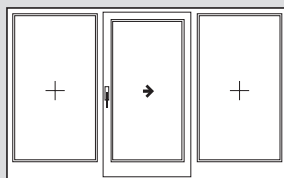
2 sliding sash / 2 Turn-Only sash [1]
Drawing: active sash, left version

Pattern D without mullion

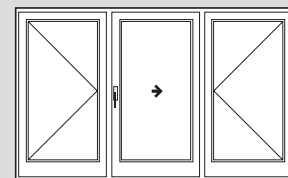


1 sliding sash / 1 Turn-Only sash [2]
Drawing: left version

Pattern G with mullion

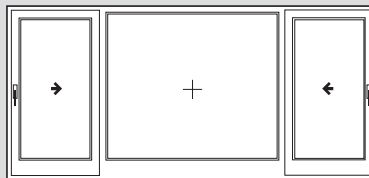


1 sliding sashes / 2 fixed glazings
Drawing: left version



1 sliding sash / 2 Turn-Only sash [1]
Drawing: left version

Pattern K with mullion



2 sliding sash / 1 fixed glazing
Drawing: left version and right version

[1] Turn-Only sash pattern A / C / G:
version with ALU-JET 06 Turn-Only sash hardware

[2] Turn-Only sash pattern D:
version with ALU-JET lever-operated gear

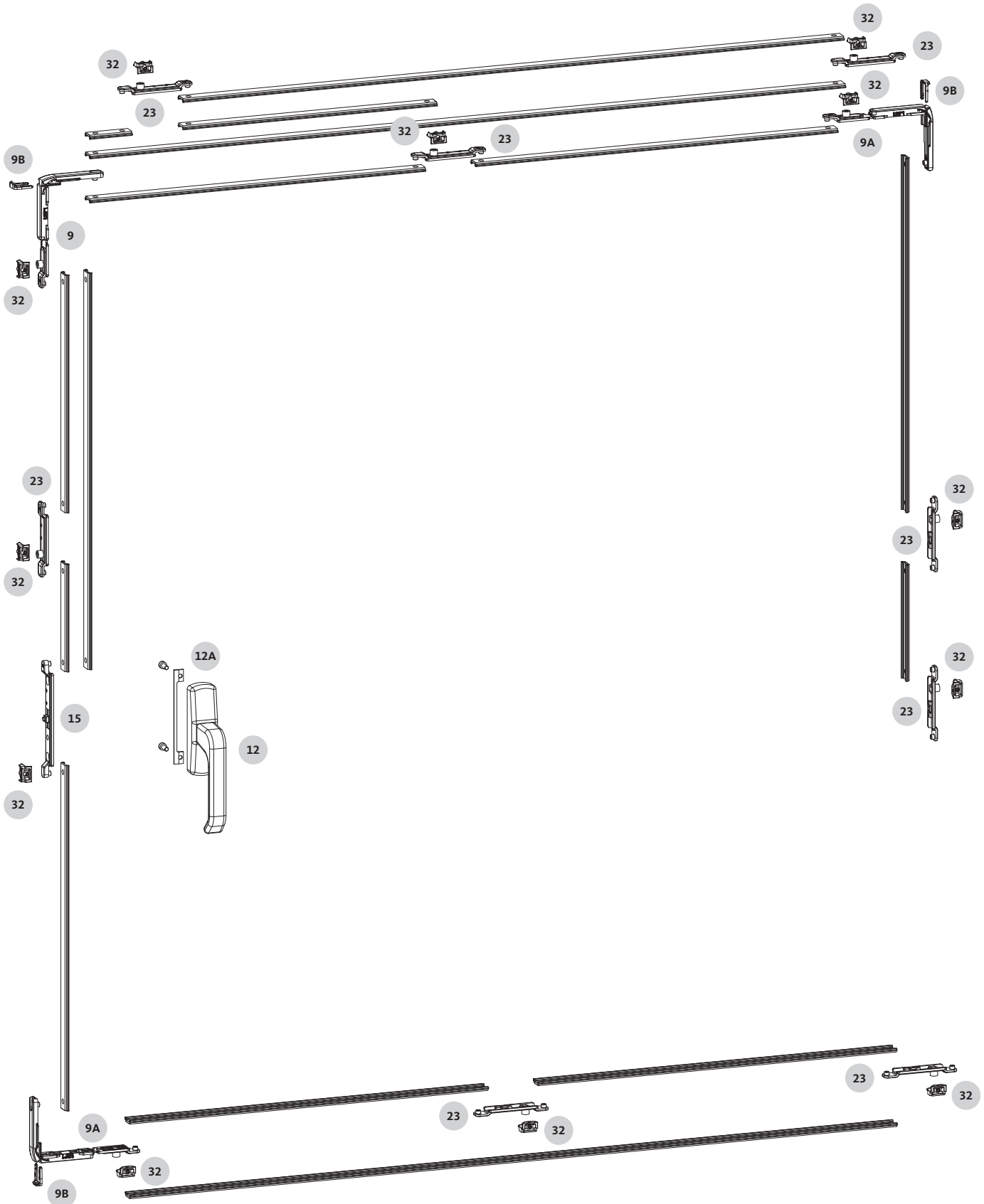
For the corresponding hardware configurations,
please refer to our order catalogue "The ALU-JET 06
Tilt&Turn hardware range" (WP00083-00-1-1).

Application ranges

Designation		Sash width SW [mm]	Sash height SH [mm]	Sash weight SW [kg]
ALU-JET 06 central locking system with PS GU-968/150	Standard	600–2000	730–2800	up to 130
	Tandem at top	1050–2000	730–2800	131–150
	Tandem at bottom	1050–2000	730–2800	151–200
ALU-JET 06 central locking system with PS GU-968/200	Standard	600–2000	730–2800	up to 130
	Tandem at top	1050–2000	730–2800	131–180
	Tandem at bottom	1050–2000	730–2800	181–200

Overviews of hardware sets

PS GU-968/150 (PS GU-968/200) with geared turn handle



Overviews of hardware sets

PS GU-968/150 (PS GU-968/200) with geared turn handle



Item	Description	Order number	Pattern				
			A	C	D	G	K
	Corner-drive with M.D.	K-19772-06-0-1	-	-	-	-	-
9	Corner-drive with M.D.	-	1	2	1	1	2
9B	Clamping bracket	-	1	2	1	1	2

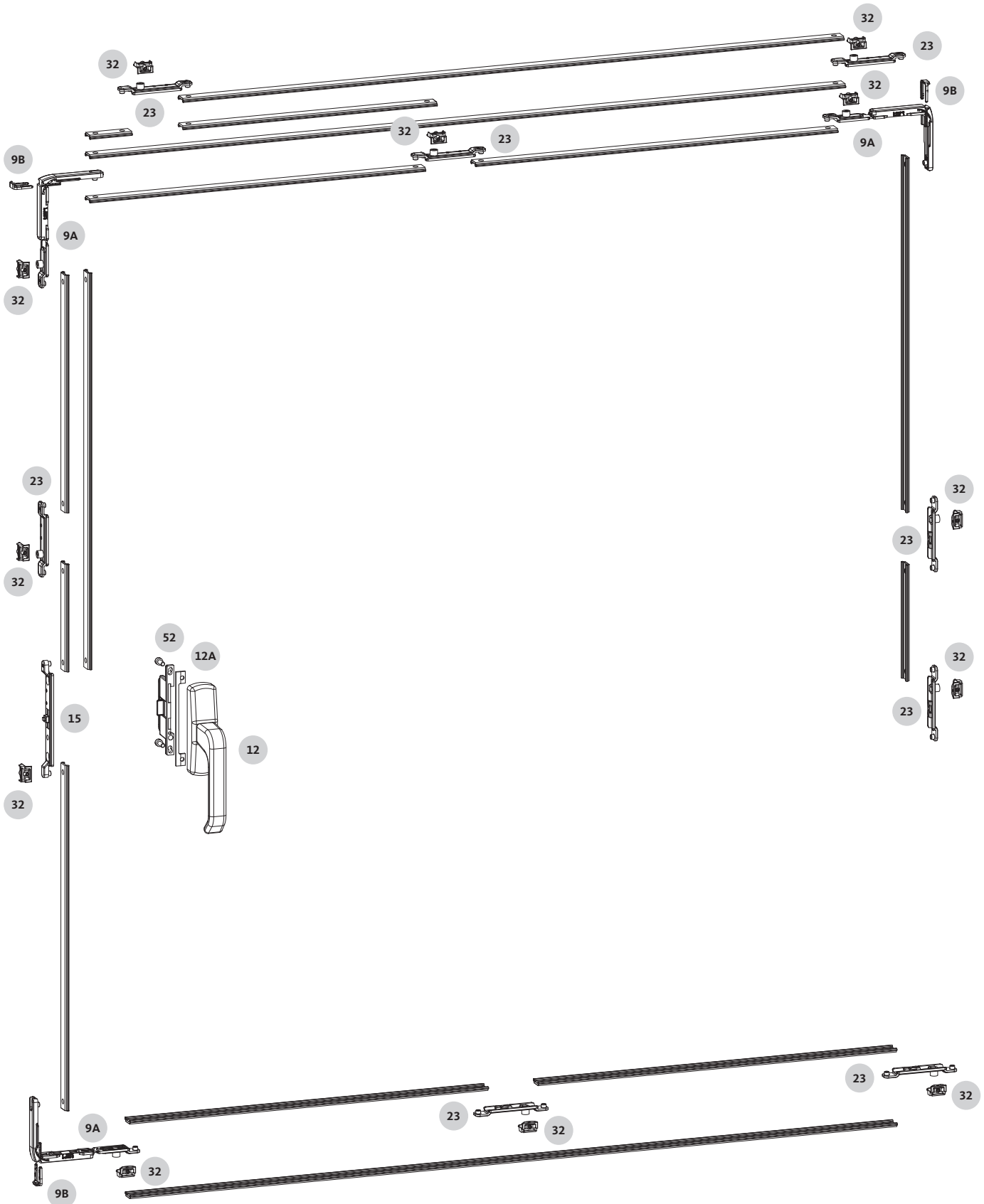
Item	Description	SW [mm]	Order number	Pattern				
				A	C	D	G	K
	Corner-drive without M.D.	-	K-19774-06-0-1	-	-	-	-	-
9A	Corner-drive without M.D.	up to 1200	-	1	2	1	1	2
		from 1201	-	2	4	2	2	4
9B	Clamping bracket	up to 1200	-	1	2	1	1	2
		from 1201	-	2	4	2	2	4

Item	Description	SW [kg]	Order number	Pattern					
				A	C	D	G	K	
12	SPACIO geared turn handle	HP 84/98	up to 130	G-46551-00-0-1	1	2	1	1	2
		HP 96/104		G-46551-96-0-1	1	2	1	1	2
12A	Fixing plate for item 12			9-41506-00-0-1	1	2	1	1	2
15	Dog			6-30984-06-0-1	1	2	1	1	2

Item	Description	SW [mm]	SH [mm]	Order number	Pattern					
					A	C	D	G	K	
23	ALU-JET 06 connector with cam	600-1200	730-1200	6-39396-06-0-1	2	6	2	2	4	
			1201-1960		2	6	2	2	4	
			1961-2800		4	9	4	4	8	
		1201-2000	730-1960		4	10	4	4	8	
			1961-2800		6	13	6	6	12	
			730-1200		4	8	4	4	8	
32	ALU-JET 10 - Striker (A=2.0) ALU-JET 10 - Striker (A=1.5)	600-1200	730-1200	6-37261-01-0-1	4	8	4	4	8	
			1201-1960		6	12	6	6	12	
			1961-2800		8	15	8	8	16	
			1201-2000		730-1960	8	16	8	8	16
					1961-2800	10	19	10	10	20
					730-1200	4	8	4	4	8
		600-1200	1201-1960	6-37261-02-0-1	6	12	6	6	12	
			1961-2800		8	15	8	8	16	
			1201-2000		730-1960	8	16	8	8	16
					1961-2800	10	19	10	10	20
					730-1200	4	8	4	4	8
			1201-1960		6	12	6	6	12	

Overviews of hardware sets

PS GU-968/150 (PS GU-968/200) with geared turn handle



Overviews of hardware sets

PS GU-968/150 (PS GU-968/200) with geared turn handle



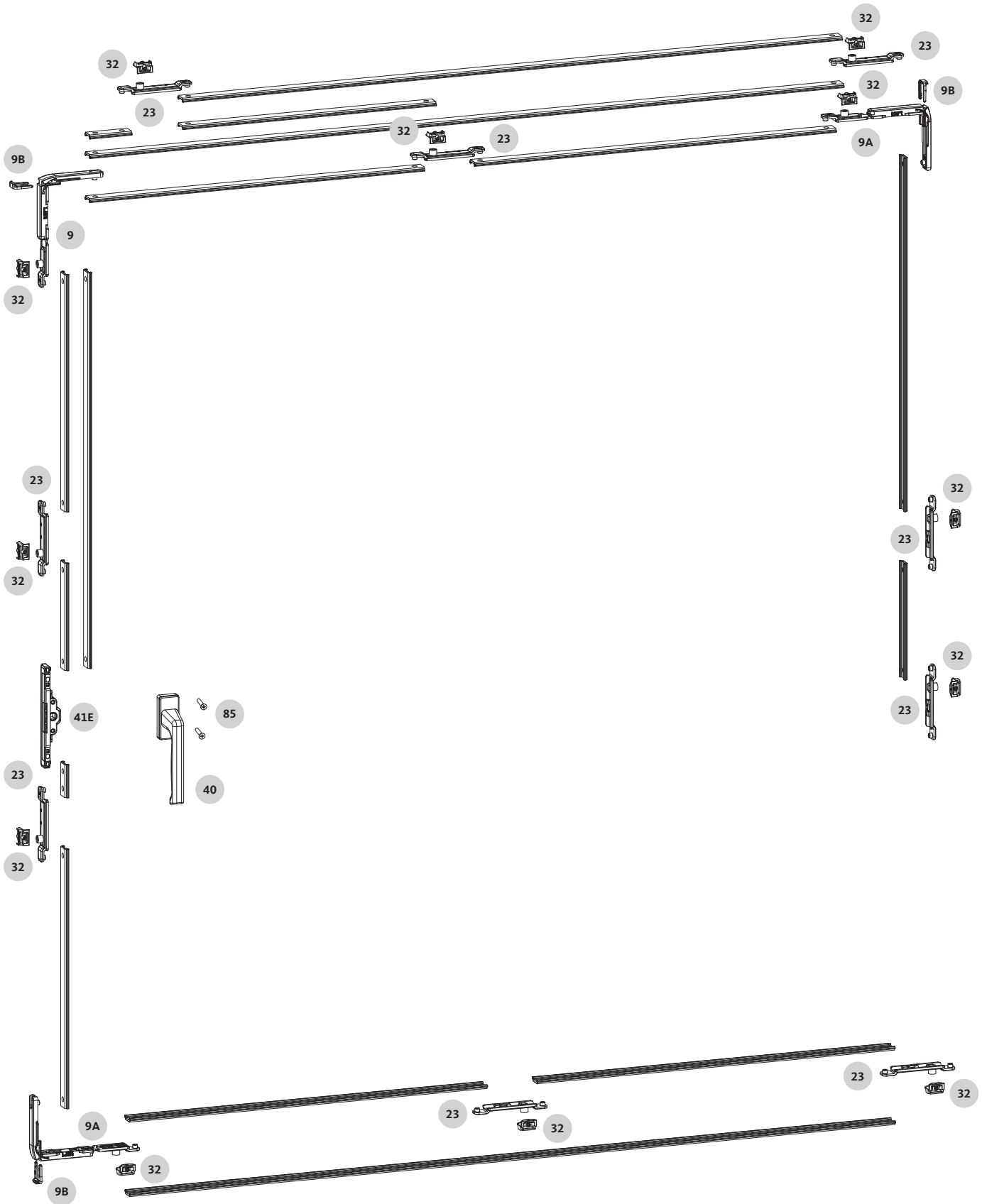
Item	Description	Order number	Pattern				
			A	C	D	G	K
	Corner-drive without M.D.	K-19774-06-0-1	-	-	-	-	-
9A	Corner-drive without M.D.	-	3	6	3	3	6
9B	Clamping bracket	-	3	6	3	3	6

Item	Description	SW [kg]	Order number	Pattern					
				A	C	D	G	K	
12	SPACIO geared turn handle	HP 84/98	up to 130	G-46551-00-0-1	1	2	1	1	2
		HP 96/104		G-46551-96-0-1	1	2	1	1	2
12A	Fixing plate for item 12		9-41506-00-0-1	1	2	1	1	2	
15	Dog		6-30984-06-0-1	1	2	1	1	2	
52	Mishandling device	HP 84/98	6-31065-10-0-1	1	2	1	1	2	
		HP 96/104	6-31065-40-0-1	1	2	1	1	2	

Item	Description	SW [mm]	SH [mm]	Order number	Pattern					
					A	C	D	G	K	
23	ALU-JET 06 connector with cam	600-1200	730-1200	6-39396-06-0-1	2	6	2	2	4	
			1201-1960		2	6	2	2	4	
			1961-2800		4	9	4	4	8	
		1201-2000	730-1960		4	10	4	4	8	
			1961-2800		6	13	6	6	12	
			730-1200		4	8	4	4	8	
32	ALU-JET 10 - Striker (A=2.0) ALU-JET 10 - Striker (A=1.5)	600-1200	730-1200	6-37261-01-0-1	4	8	4	4	8	
			1201-1960		6	12	6	6	12	
			1961-2800		8	15	8	8	16	
			1201-2000		730-1960	8	16	8	8	16
					1961-2800	10	19	10	10	20
					730-1200	4	8	4	4	8
		600-1200	730-1200	6-37261-02-0-1	6	12	6	6	12	
			1201-1960		8	15	8	8	16	
			1961-2800		8	16	8	8	16	
			1201-2000		730-1960	8	16	8	8	16
					1961-2800	10	19	10	10	20
					730-1200	4	8	4	4	8

Overviews of hardware sets

PS GU-968/150 (PS GU-968/200) with insertable gear



Overviews of hardware sets

PS GU-968/150 (PS GU-968/200) with insertable gear



Item	Description	Order number	Pattern				
			A	C	D	G	K
	Corner-drive with M.D.	K-19772-06-0-1	-	-	-	-	-
9	Corner-drive with M.D.	-	1	2	1	1	2
9B	Clamping bracket	-	1	2	1	1	2

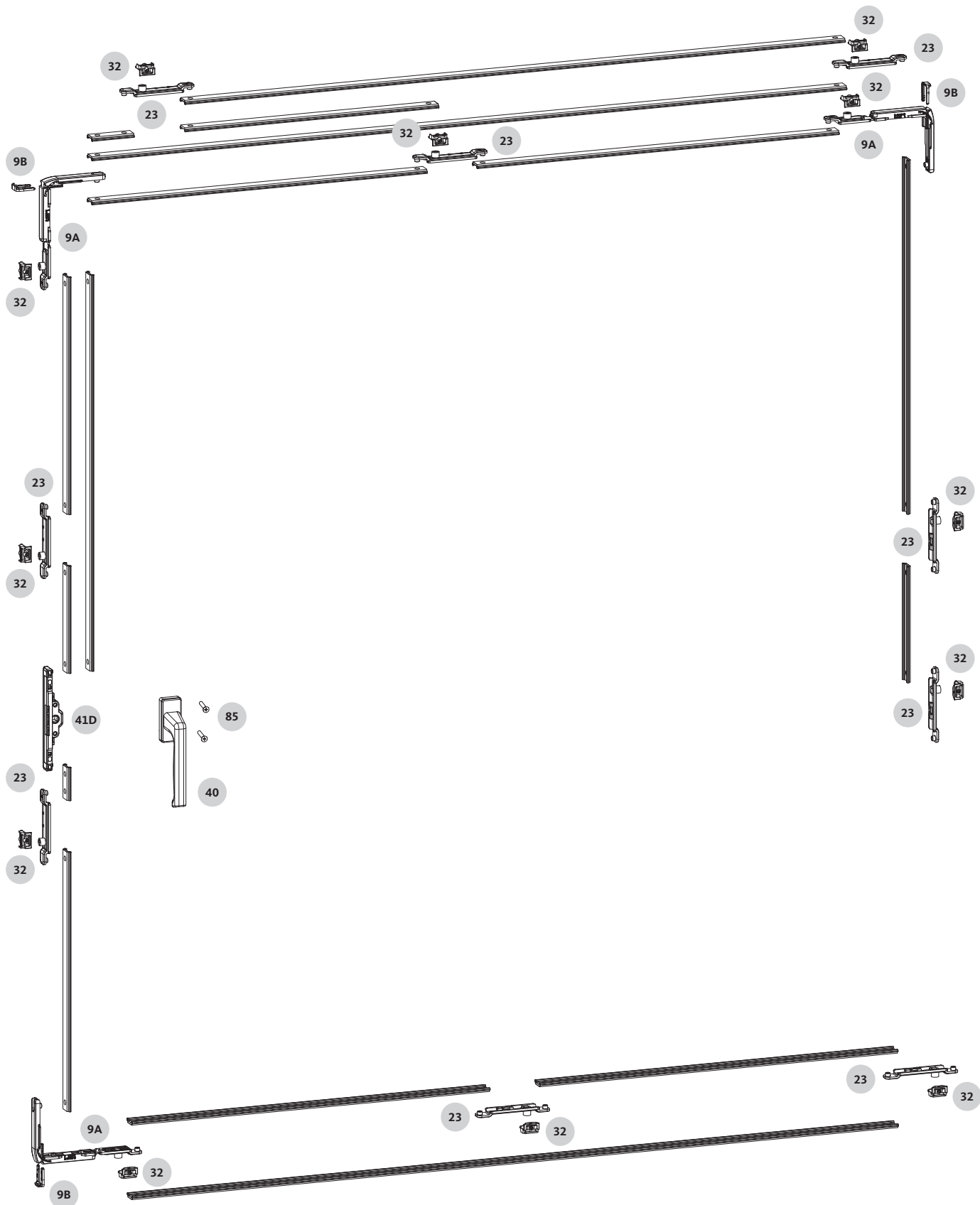
Item	Description	SW [mm]	Order number	Pattern				
				A	C	D	G	K
	Corner-drive without M.D.	-	K-19774-06-0-1	-	-	-	-	-
9A	Corner-drive without M.D.	up to 1200	-	1	2	1	1	2
		from 1201	-	2	4	2	2	4
9B	Clamping bracket	up to 1200	-	1	2	-	1	2
		from 1201	-	2	4	2	2	4

Item	Description	Order number	Pattern				
			A	C	D	G	K
40	DIRIGENT-F turn handle	6-28072-25-0-1	1	2	1	1	2
41E	Insertable gear w/o M.D.	6-39385-06-0-1	1	2	1	1	2
85	Countersunk screw M5x30	9-13255-30-0-1	2	4	2	2	4

Item	Description	SW [mm]	SH [mm]	Order number	Pattern				
					A	C	D	G	K
23	ALU-JET 06 connector with cam	600-1200	730-1200	6-39396-06-0-1	2	6	2	2	4
			1201-1960		3	7	3	3	6
			1961-2800		5	10	5	5	10
		1201-2000	730-1960		5	11	5	5	10
			1961-2800		7	14	7	7	14
			730-1200		4	8	4	4	8
32	ALU-JET 10 - Striker (A=2.0)	600-1200	1201-1960	6-37261-01-0-1	6	12	6	6	12
			1961-2800		8	15	8	8	16
			730-1960		8	16	8	8	16
		1201-2000	1961-2800		10	19	10	10	20
			730-1200		4	8	4	4	8
			1201-1960		6	12	6	6	12
	ALU-JET 10 - Striker (A=1.5)	600-1200	1961-2800	6-37261-02-0-1	8	15	8	8	16
			730-1960		8	16	8	8	16
			1961-2800		10	19	10	10	20
		1201-2000	730-1200		4	8	4	4	8
			1201-1960		6	12	6	6	12
			1961-2800		8	15	8	8	16

Overviews of hardware sets

PS GU-968/150 (PS GU-968/200) with insertable gear



Overviews of hardware sets

PS GU-968/150 (PS GU-968/200) with insertable gear



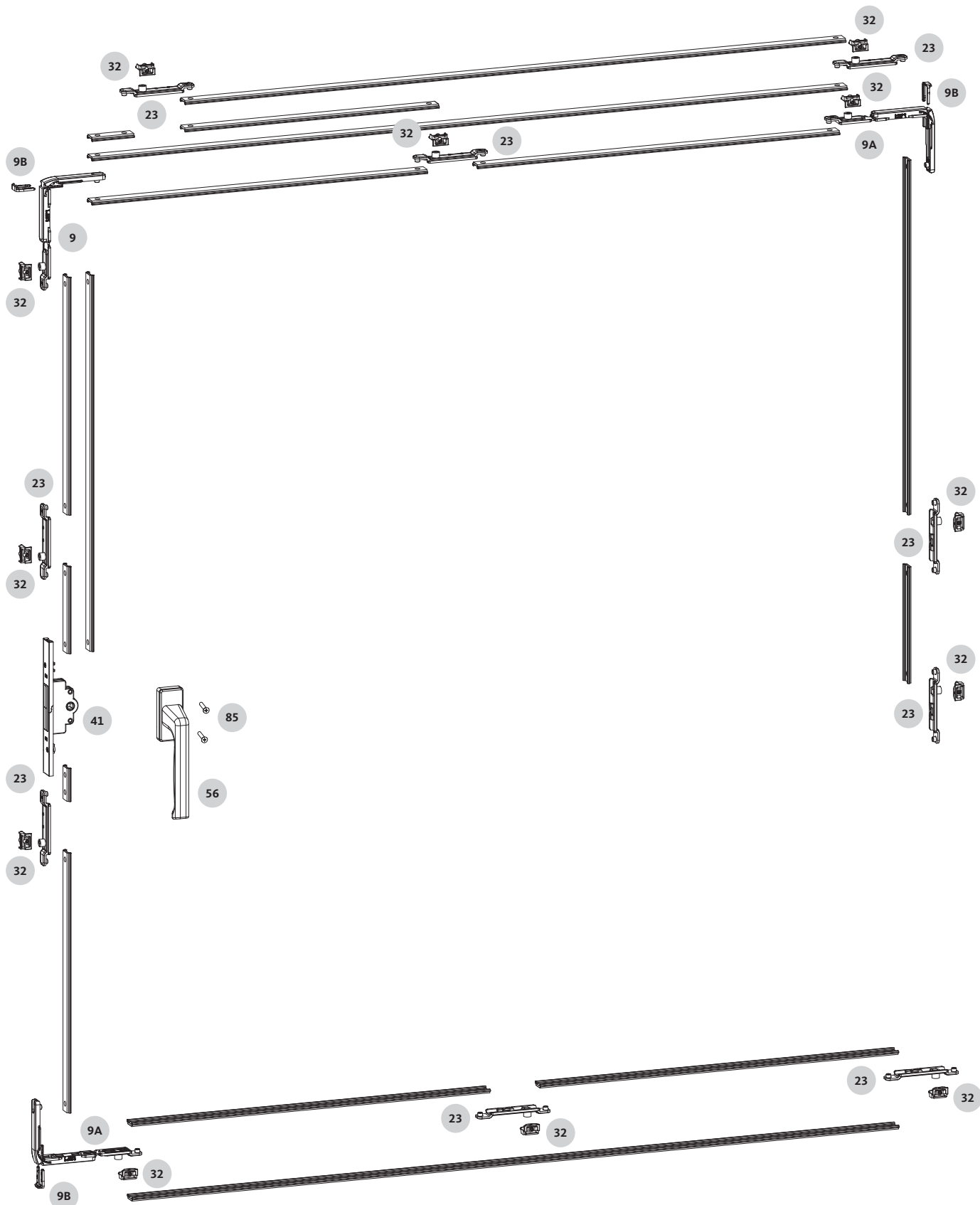
Item	Description	Order number	Pattern				
			A	C	D	G	K
	Corner-drive without M.D.	K-19774-06-0-1	-	-	-	-	-
9A	Corner-drive without M.D.	-	3	6	3	3	6
9B	Clamping bracket	-	3	6	3	3	6

Item	Description	Order number	Pattern				
			A	C	D	G	K
40	DIRIGENT-F turn handle	6-28072-25-0-1	1	2	1	1	2
41D	Insertable gear with M.D.	6-39384-06-0-1	1	2	1	1	2
85	Countersunk screw M5x30	9-13255-30-0-1	2	4	2	2	4

Item	Description	SW [mm]	SH [mm]	Order number	Pattern					
					A	C	D	G	K	
23	ALU-JET 06 connector with cam	600-1200	730-1200	6-39396-06-0-1	2	6	2	2	4	
			1201-1960		3	7	3	3	6	
			1961-2800		5	10	5	5	10	
		1201-2000	730-1960		5	11	5	5	10	
			1961-2800		7	14	7	7	14	
32	ALU-JET 10 - Striker (A=2.0) ALU-JET 10 - Striker (A=1.5)	for A=2.0	600-1200	730-1200	6-37261-01-0-1	4	8	4	4	8
				1201-1960		6	12	6	6	12
				1961-2800		8	15	8	8	16
			1201-2000	730-1960		8	16	8	8	16
				1961-2800		10	19	10	10	20
		for A=1.5	600-1200	730-1200	6-37261-02-0-1	4	8	4	4	8
				1201-1960		6	12	6	6	12
				1961-2800		8	15	8	8	16
			1201-2000	730-1960		8	16	8	8	16
				1961-2800		10	19	10	10	20

Overviews of hardware sets

PS GU-968/150 (PS GU-968/200) with insertable gear



Overviews of hardware sets

PS GU-968/150 (PS GU-968/200) with insertable gear



Item	Description	Order number	Pattern				
			A	C	D	G	K
	Corner-drive with M.D.	K-19772-06-0-1	-	-	-	-	-
9	Corner-drive with M.D.	-	1	2	1	1	2
9B	Clamping bracket	-	1	2	1	1	2

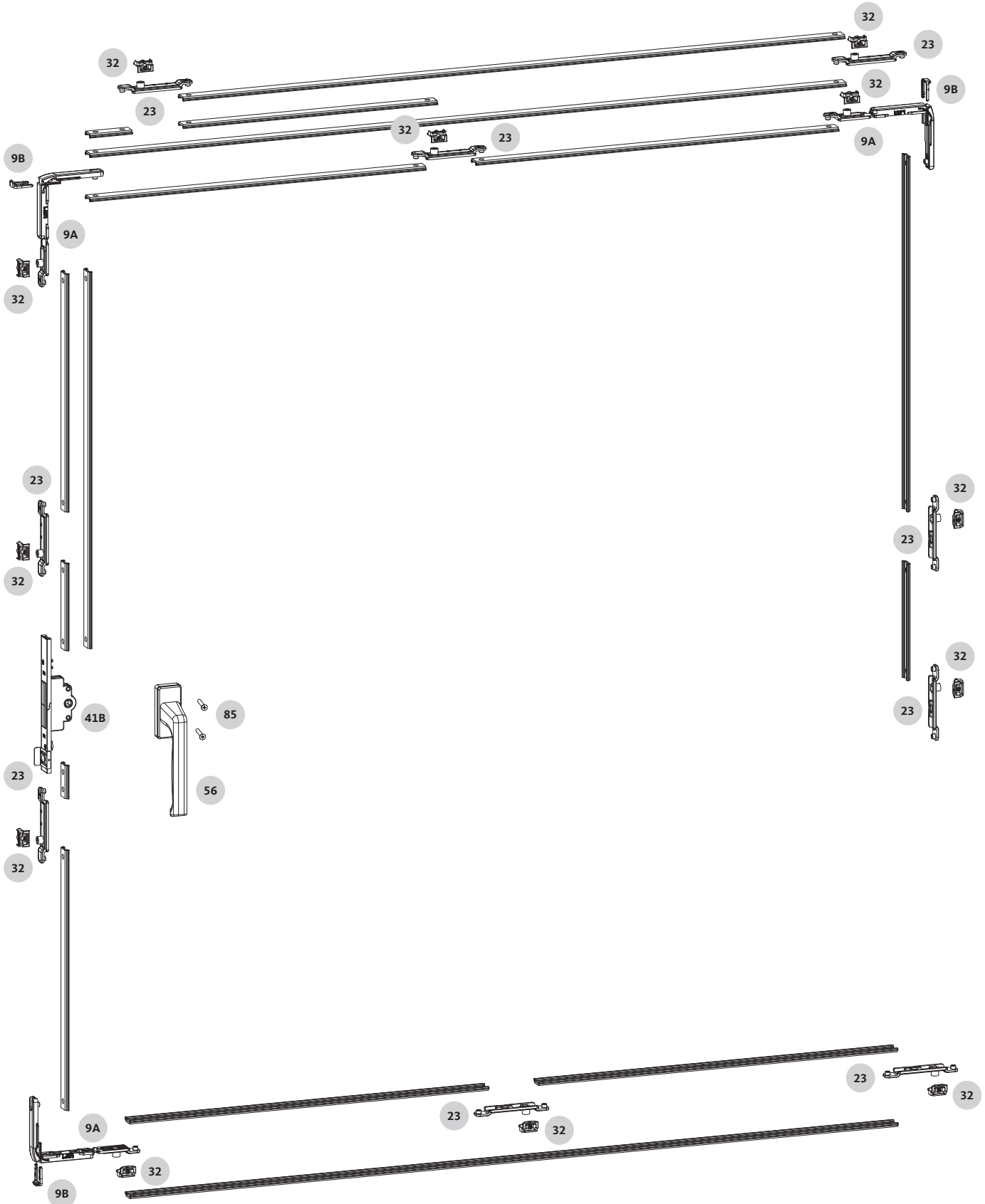
Item	Description	SW [mm]	Order number	Pattern				
				A	C	D	G	K
	Corner-drive without M.D.	-	K-19774-06-0-1	-	-	-	-	-
9A	Corner-drive without M.D.	up to 1200	-	1	2	1	1	2
		from 1201	-	2	4	2	2	4
9B	Clamping bracket	up to 1200	-	1	2	1	1	2
		from 1201	-	2	4	2	2	4

Item	Description	SW [kg]	Order number	Pattern				
				A	C	D	G	K
41	Insertable gear without M.D., sizes 25/30/35/40/45/50 (When using item 9)		6-25916-25-0-1	1	2	1	1	2
56	DIRIGENT HL turn handle 90°	from 131	6-31382-33-0-1	1	2	1	1	2
85	Countersunk screw M5x30		9-13255-30-0-1	2	4	2	2	4

Item	Description	SW [mm]	SH [mm]	Order number	Pattern				
					A	C	D	G	K
23	ALU-JET 06 connector with cam	600-1200	730-1200	6-39396-06-0-1	2	6	2	2	4
			1201-1960		3	7	3	3	6
			1961-2800		5	10	5	5	10
		1201-2000	730-1960		5	11	5	5	10
			1961-2800		7	14	7	7	14
			730-1200		4	8	4	4	8
32	ALU-JET 10 - Striker (A=2.0)	600-1200	1201-1960	6-37261-01-0-1	6	12	6	6	12
			1961-2800		8	15	8	8	16
			730-1960		8	16	8	8	16
		1201-2000	1961-2800		10	19	10	10	20
			730-1200		4	8	4	4	8
			1201-1960		6	12	6	6	12
	ALU-JET 10 - Striker (A=1.5)	600-1200	1961-2800	6-37261-02-0-1	8	15	8	8	16
			730-1960		8	16	8	8	16
			1961-2800		10	19	10	10	20
		1201-2000	730-1200		4	8	4	4	8
			1201-1960		6	12	6	6	12
			1961-2800		8	15	8	8	16

Overviews of hardware sets

PS GU-968/150 (PS GU-968/200) with insertable gear



Overviews of hardware sets

PS GU-968/150 (PS GU-968/200) with insertable gear



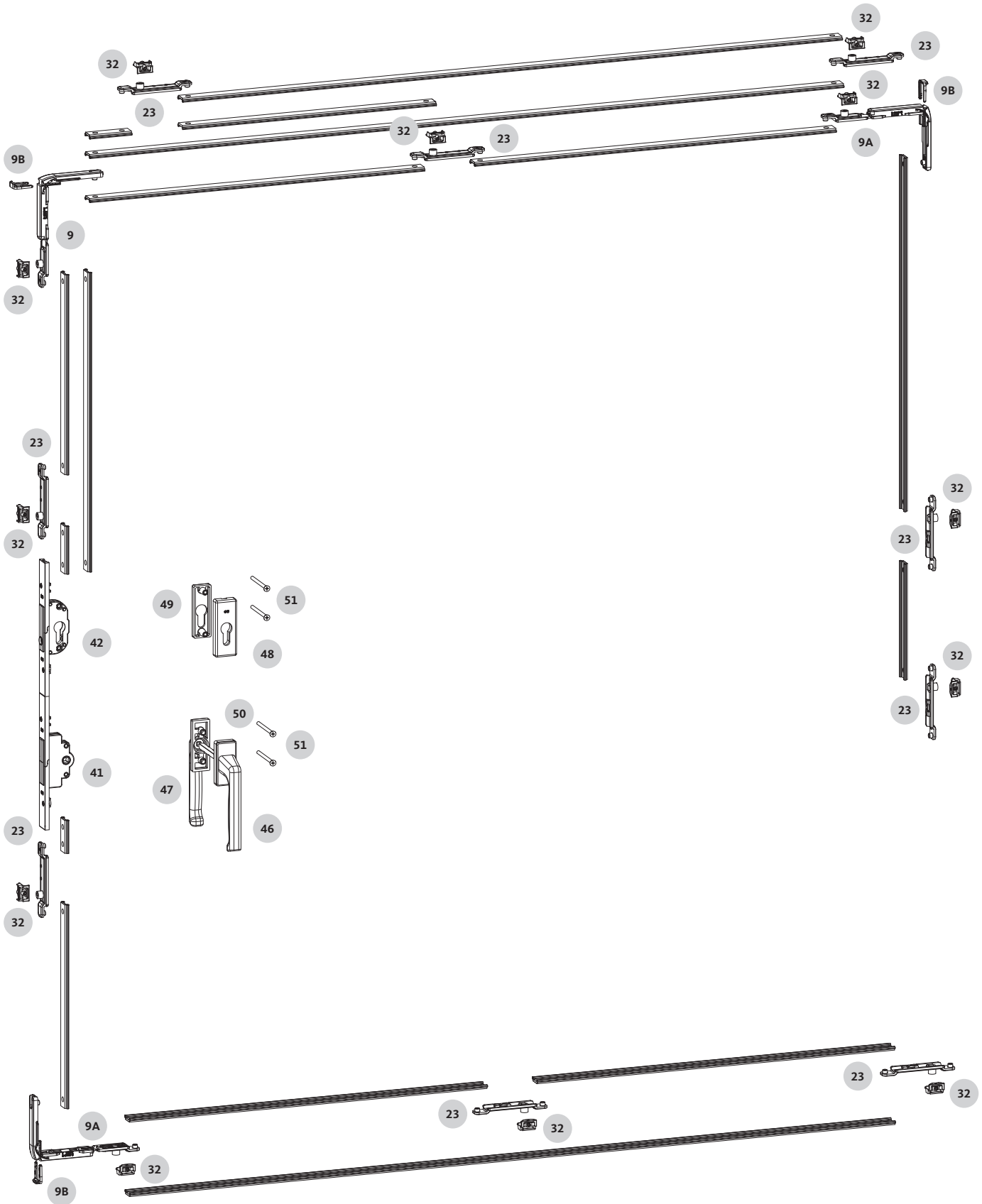
Item	Description	Order number	Pattern				
			A	C	D	G	K
	Corner-drive without M.D.	K-19774-06-0-1	-	-	-	-	-
9A	Corner-drive without M.D.	-	3	6	3	3	6
9B	Clamping bracket	-	3	6	3	3	6

Item	Description	SW [kg]	Order number	Pattern				
				A	C	D	G	K
41B	Insertable gear with M.D., sizes 25/30/35/40/45/50 (When using item 9A)		6-25917-25-0-1	1	2	1	1	2
56	DIRIGENT HL turn handle 90°	from 131	6-31382-33-0-1	1	2	1	1	2
85	Countersunk screw M5x30		9-13255-30-0-1	2	4	2	2	4

Item	Description	SW [mm]	SH [mm]	Order number	Pattern				
					A	C	D	G	K
23	ALU-JET 06 connector with cam	600-1200	730-1200	6-39396-06-0-1	2	6	2	2	4
			1201-1960		3	7	3	3	6
			1961-2800		5	10	5	5	10
		1201-2000	730-1960		5	11	5	5	10
			1961-2800		7	14	7	7	14
32	ALU-JET 10 - Striker (A=2.0) ALU-JET 10 - Striker (A=1.5)	600-1200	730-1200	6-37261-01-0-1	4	8	4	4	8
			1201-1960		6	12	6	6	12
			1961-2800		8	15	8	8	16
		1201-2000	730-1960		8	16	8	8	16
			1961-2800		10	19	10	10	20
	for A=1.5	600-1200	730-1200	6-37261-02-0-1	4	8	4	4	8
			1201-1960		6	12	6	6	12
			1961-2800		8	15	8	8	16
		1201-2000	730-1960		8	16	8	8	16
			1961-2800		10	19	10	10	20

Overviews of hardware sets

PS GU-968/150 (PS GU-968/200) with insertable gear and interior/exterior turn handle set



Overviews of hardware sets

PS GU-968/150 (PS GU-968/200) with insertable gear and interior/exterior turn handle set



Item	Description	Order number	Pattern				
			A	C	D	G	K
	Corner-drive with M.D.	K-19772-06-0-1	-	-	-	-	-
9	Corner-drive with M.D.	-	1	2	1	1	2
9B	Clamping bracket	-	1	2	1	1	2

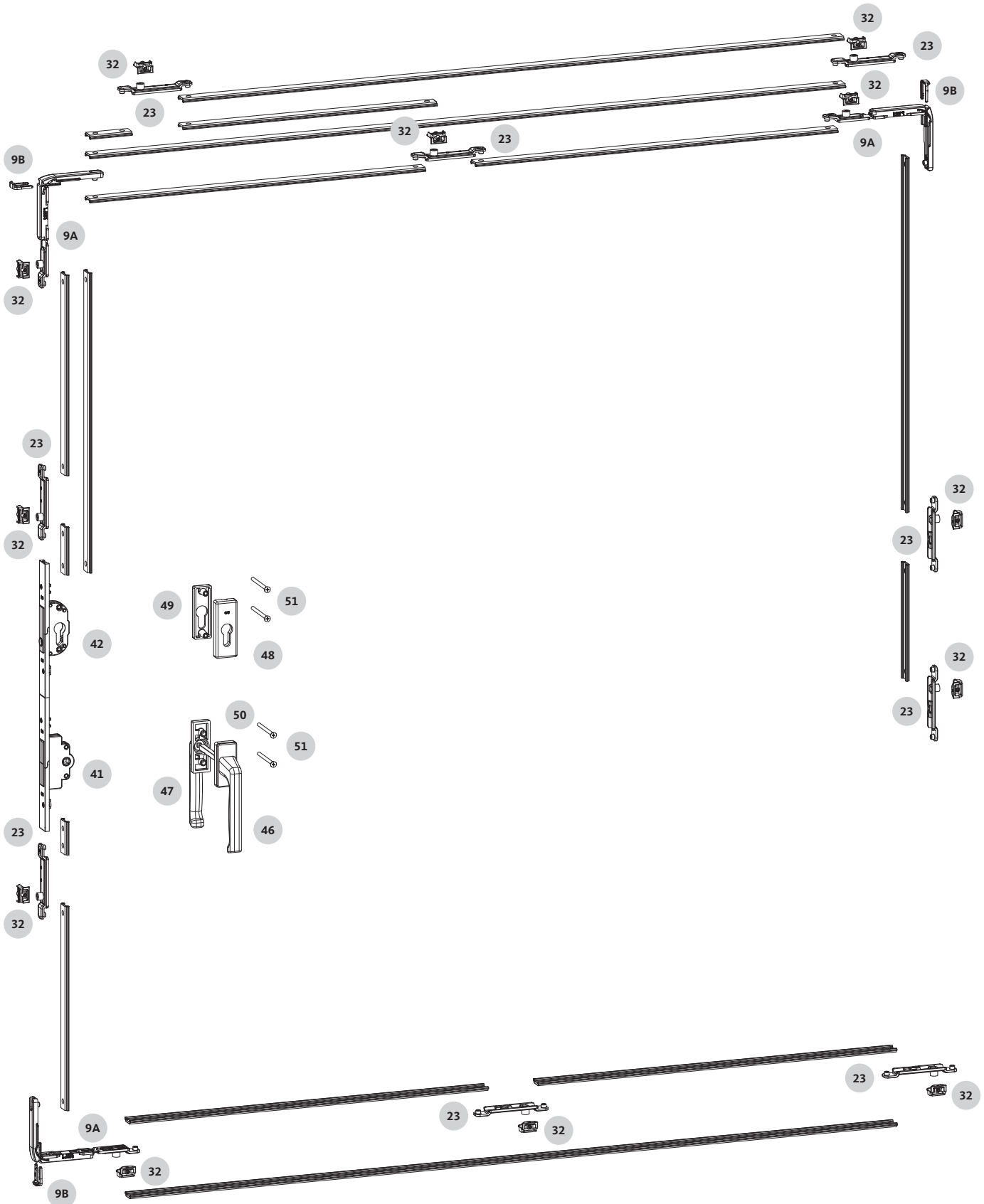
Item	Description	SW [mm]	Order number	Pattern				
				A	C	D	G	K
	Corner-drive without M.D.	-	K-19774-06-0-1	-	-	-	-	-
9A	Corner-drive without M.D.	up to 1200	-	1	2	1	1	2
		from 1201	-	2	4	2	2	4
9B	Clamping bracket	up to 1200	-	1	2	1	1	2
		from 1201	-	2	4	2	2	4

Item	Description	Length [mm]	ST [mm]	Order number	Pattern				
					A	C	D	G	K
41	Insertable gear with M.D., sizes 25/30/35/40/45/50	(When using item 9A)		6-25916-25-0-1	1	2	1	1	2
42	Lock with profile cylinder, sizes 25/30/35/40/45/50			6-25918-25-0-1	1	2	1	1	2
46	DIRIGENT-F turn handle (without spindle)			6-28072-25-0-1	1	2	1	1	2
47	DIRIGENT-F turn handle (exterior)			6-25223-00-0-1	1	2	1	1	2
48	PC rosette inside			K-17205-02-0-1	1	2	1	1	2
49	Exterior PC rosette			9-43605-02-0-1	1	2	1	1	2
50	Square spindle	118	56 -70	9-26874-56-0-1	1	2	1	1	2
		131	71 -80	9-26874-69-0-1	1	2	1	1	2
51	Countersunk screw	M5 x 60	51-60	9-13255-60-0-1	4	8	4	4	8
		M5 x 70	61-70	9-13255-70-0-1	4	8	4	4	8
		M5 x 80	71-80	9-13255-80-0-1	4	8	4	4	8

Item	Description	SW [mm]	SH [mm]	Order number	Pattern				
					A	C	D	G	K
23	ALU-JET 06 connector with cam	600-1200	730-1200	6-39396-06-0-1	2	6	2	2	4
			1201-1960		3	7	3	3	6
			1961-2800		5	10	5	5	10
32	ALU-JET 10 - Striker (A=2.0) ALU-JET 10 - Striker (A=1.5)	1201-2000	730-1960	6-37261-01-0-1	5	11	5	5	10
			1961-2800		7	14	7	7	14
			730-1200		4	8	4	4	8
		600-1200	1201-1960	6-37261-01-0-1	6	12	6	6	12
			1961-2800		8	15	8	8	16
			730-1960		8	16	8	8	16
600-1200	ALU-JET 10 - Striker (A=1.5)	1201-2000	1961-2800	6-37261-02-0-1	10	19	10	10	20
			730-1200		4	8	4	4	8
			1201-1960		6	12	6	6	12
		600-1200	1961-2800	6-37261-02-0-1	8	15	8	8	16
			730-1960		8	16	8	8	16
1201-2000	1961-2800	6-37261-02-0-1	10	19	10	10	20		

Overviews of hardware sets

PS GU-968/150 (PS GU-968/200) with insertable gear and interior/exterior turn handle set



Overviews of hardware sets

PS GU-968/150 (PS GU-968/200) with insertable gear and interior/exterior turn handle set



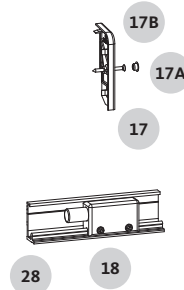
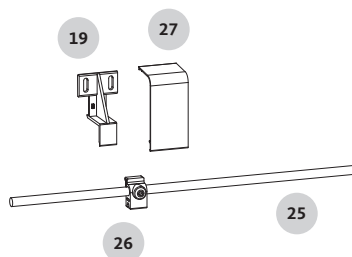
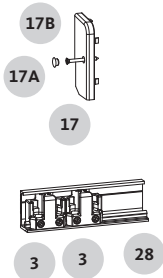
Item	Description	Order number	Pattern				
			A	C	D	G	K
	Corner-drive without M.D.	K-19774-06-0-1	-	-	-	-	-
9A	Corner-drive without M.D.	-	3	6	3	3	6
9B	Clamping bracket	-	3	6	3	3	6

Item	Description	Length [mm]	ST [mm]	Order number	Pattern				
					A	C	D	G	K
41	Insertable gear with M.D., sizes 25/30/35/40/45/50	(When using item 9A)		6-25916-25-0-1	1	2	1	1	2
42	Lock with profile cylinder, sizes 25/30/35/40/45/50			6-25918-25-0-1	1	2	1	1	2
46	DIRIGENT-F turn handle (without spindle)			6-28072-25-0-1	1	2	1	1	2
47	DIRIGENT-F turn handle (exterior)			6-25223-00-0-1	1	2	1	1	2
48	PC rosette inside			K-17205-02-0-1	1	2	1	1	2
49	Exterior PC rosette			9-43605-02-0-1	1	2	1	1	2
50	Square spindle	118	56 -70	9-26874-56-0-1	1	2	1	1	2
		131	71 -80	9-26874-69-0-1	1	2	1	1	2
51	Countersunk screw	M5 x 60	51-60	9-13255-60-0-1	4	8	4	4	8
		M5 x 70	61-70	9-13255-70-0-1	4	8	4	4	8
		M5 x 80	71-80	9-13255-80-0-1	4	8	4	4	8

Item	Description	SW [mm]	SH [mm]	Order number	Pattern				
					A	C	D	G	K
23	ALU-JET 06 connector with cam	600-1200	730-1200	6-39396-06-0-1	2	6	2	2	4
			1201-1960		3	7	3	3	6
			1961-2800		5	10	5	5	10
		1201-2000	730-1960		5	11	5	5	10
			1961-2800		7	14	7	7	14
			730-1200		4	8	4	4	8
32	ALU-JET 10 - Striker (A=2.0) ALU-JET 10 - Striker (A=1.5)	600-1200	730-1200	6-37261-01-0-1	6	12	6	6	12
			1201-1960		8	15	8	8	16
			1961-2800		8	16	8	8	16
		1201-2000	730-1960		10	19	10	10	20
			1961-2800		4	8	4	4	8
			730-1200		6	12	6	6	12
	for A=1.5	600-1200	1201-1960	6-37261-02-0-1	8	15	8	8	16
			1961-2800		8	16	8	8	16
			730-1960		8	16	8	8	16
		1201-2000	1961-2800		10	19	10	10	20
			730-1200		4	8	4	4	8
			1201-1960		6	12	6	6	12

GU-968/150 Parallel-Slide hardware system

Profiles





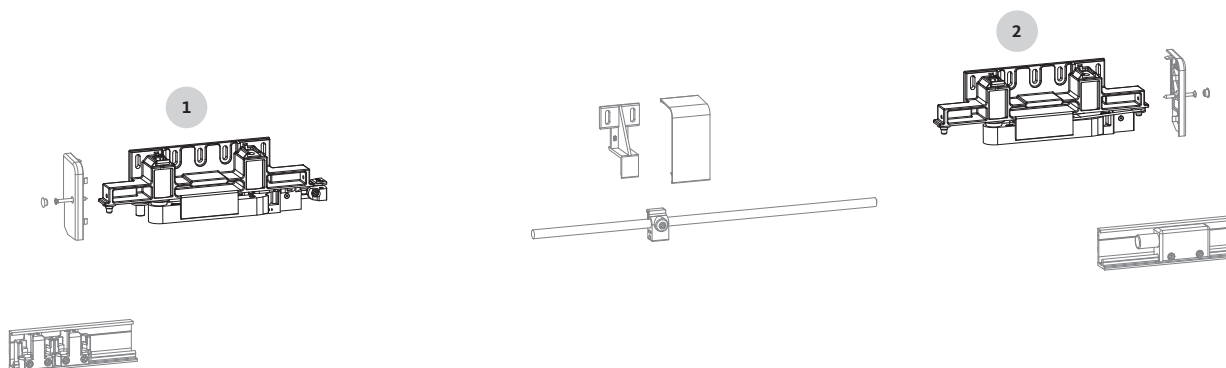
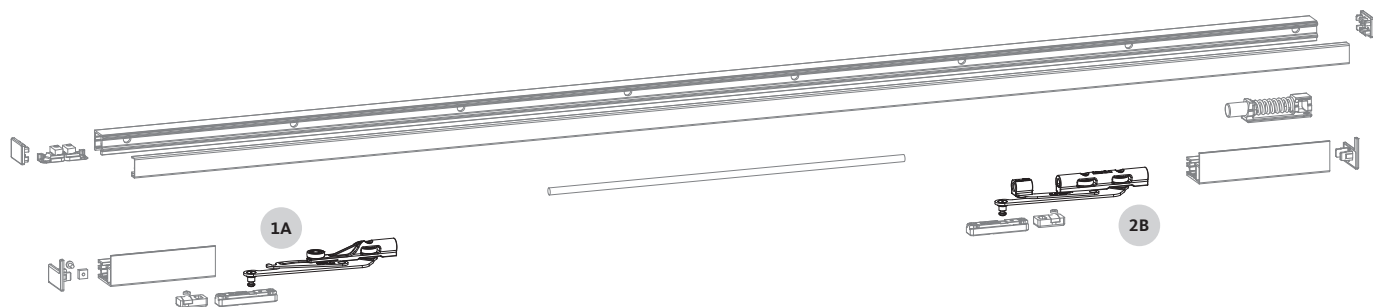
Item	Description	SW [mm]	Length [mm]	Order number	Pattern					
					A	C	D	G	K	
	Set of GU-968/150 P-S profiles	851 –1100	–	K-18768-25-0-1	1	2	1	1	2	
		1101 –2000	–	K-18768-40-0-1	1	2	1	1	2	
25	Rod Ø 8	–600	–	–	1	2	1	1	2	
		601–1000	–	–	1	2	1	1	2	
		1001–1300	–	–	1	2	1	1	2	
		1301–1500	–	–	1	2	1	1	2	
		1501–1800	–	–	1	2	1	1	2	
		Standard	1801–2000	–	–	1	2	1	1	2
		Tandem	1050–1850	–	–	2	4	2	2	4
26	Guide from SW 1101			–	1	2	1	1	2	
27	P 1608 cover rail	600 –850	880	–	1	2	1	1	2	
		851 –1100	1130	–	1	2	1	1	2	
		1101 –1350	1380	–	1	2	1	1	2	
		1351 –1600	1630	–	1	2	1	1	2	
		1601 –2000	1990	–	1	2	1	1	2	
28	P 1300 roller track			–	1	2	1	1	2	
29	Guide track P 1930			–	1	2	1	1	2	
29B	Guide track P 1931			–	1	2	1	1	2	
30A	P 1932 cover profile			–	1	2	1	1	2	

Item	Description	SW [mm]	Order number	Pattern				
				A	C	D	G	K
	Box of accessories for GU-968/150 Parallel-Slide accessories (included in the set of profiles)		K-18770-00-0-1	1	2	1	1	2
3	Control part [1]	Standard	–	1	2	1	1	2
		Tandem	–	2	4	2	2	4
3A	GU-oZ bb control part		–	1 LH 1 RH	2 LH 2 RH	1 LH 1 RH	1 LH 1 RH	2 LH 2 RH
8	Stay arm slide block	Standard	–	2	4	2	2	4
17	End cap for P 1603		–	1 LH 1 RH	2 LH 2 RH	1 LH 1 RH	1 LH 1 RH	2 LH 2 RH
17A	Cover-cap for end cap		–	2	4	2	2	4
17B	Countersunk-head tapping screw DIN 7982 ST 3.5 x 38-A2-C-H		–	2	4	2	2	4
18	Spring-loaded buffer		–	1	2	1	1	2
18A	P-S spring-loaded buffer		–	1	2	1	1	2
19	Support for P 1603/P 1608		–	1	2	1	1	2
31	End cap for guide track		–	1 LH 1 RH	2 LH 2 RH	1 LH 1 RH	1 LH 1 RH	2 LH 2 RH
31A	End cap for guide track		–	2	2	2	2	2
44	Tilt&Slide buffer		–	2	4	2	2	4
	Set of screws for GU-968/150 Parallel-Slide (included in set of profiles)		K-13068-00-0-1	1	2	1	1	2
71	Nut	600 –1350		6	12	6	6	12
72	Fillister-head screw M4 x 8 / DIN 7985	1351 –2000		12	24	12	12	24

[1] Item 3 (control part 6-33329-00-0-1) must be ordered separately for the Tandem version

GU-968/150 Parallel-Slide hardware system

Bogie



GU-968/150 Parallel-Slide hardware system

Bogie

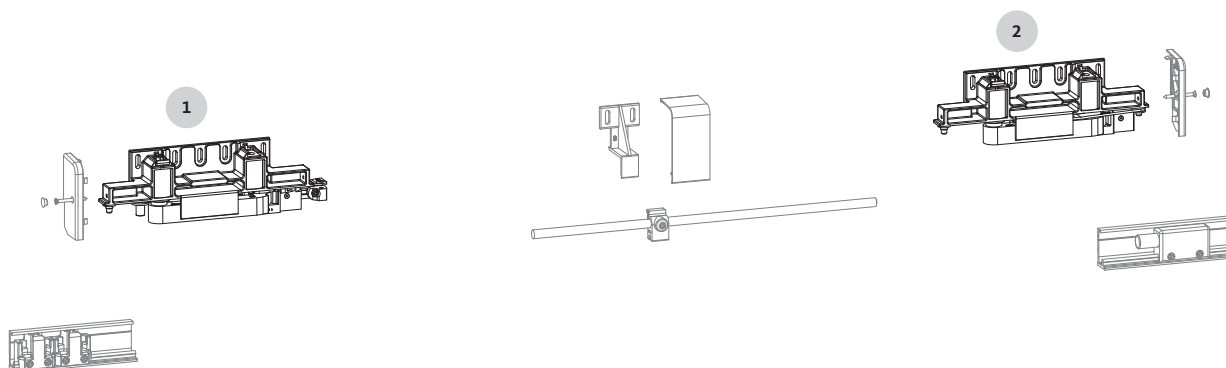
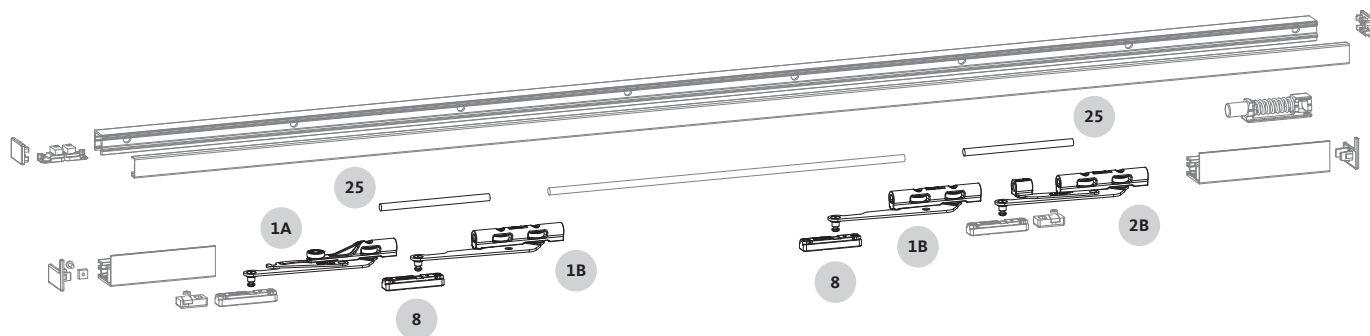


Item	Description		Order number	Pattern				
				A	C	D	G	K
	Set of GU-968/150 top Parallel-Slide scissor sliders	DIN LH	K-18268-00-L-1	1	2	1	1	2
		DIN RH	K-18268-00-R-1	1	2	1	1	2
1A	Front scissor slider	DIN LH	-	1	2	1	1	2
		DIN RH	-	1	2	1	1	2
2B	Rear scissor slider	DIN LH	-	1	2	1	1	2
		DIN RH	-	1	2	1	1	2

Item	Description		Order number	Pattern				
				A	C	D	G	K
	Set of GU-968/150 P-S bogies	DIN LH	K-15278-00-L-0	1	2	1	1	2
		DIN RH	K-15278-00-R-0	1	2	1	1	2
1	Front bogie	DIN LH	-	1	2	1	1	2
		DIN RH	-	1	2	1	1	2
2	Rear bogie	DIN LH	-	1	2	1	1	2
		DIN RH	-	1	2	1	1	2

GU-968/150 Parallel-Slide hardware system

Tandem bogie, top



GU-968/150 Parallel-Slide hardware system

Tandem bogie, top



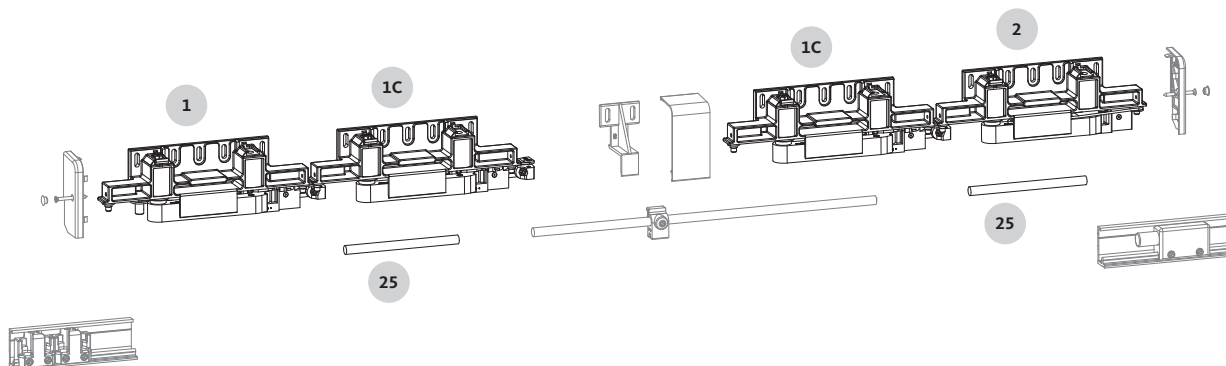
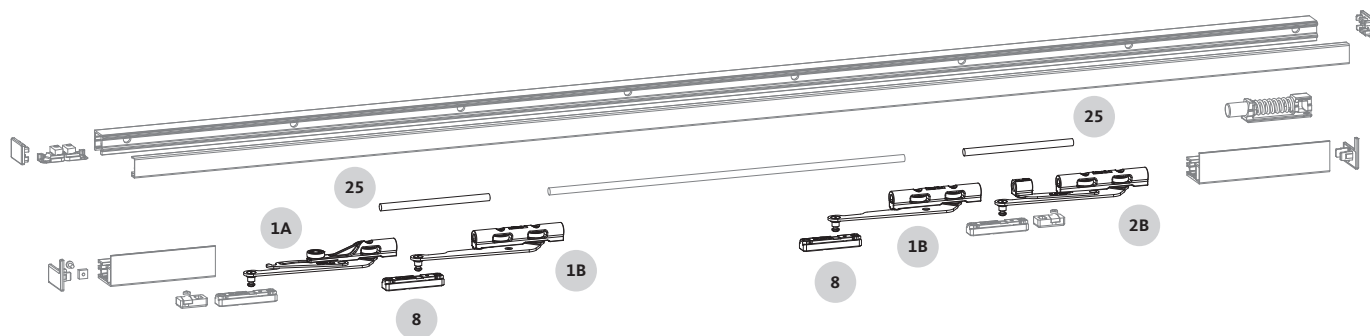
Item	Description	Order number	Pattern					
			A	C	D	G	K	
	Set of GU-968/150 top Parallel-Slide scissor sliders	DIN LH	K-18268-00-L-1	1	2	1	1	2
		DIN RH	K-18268-00-R-1	1	2	1	1	2
1A	Front scissor slider	DIN LH	-	1	2	1	1	2
		DIN RH	-	1	2	1	1	2
2B	Rear scissor slider	DIN LH	-	1	2	1	1	2
		DIN RH	-	1	2	1	1	2

Item	Description	Order number	Pattern					
			A	C	D	G	K	
	Set of GU-968/150 P-S bogies	DIN LH	K-15278-00-L-0	1	2	1	1	2
		DIN RH	K-15278-00-R-0	1	2	1	1	2
1	Front bogie	DIN LH	-	1	2	1	1	2
		DIN RH	-	1	2	1	1	2
2	Rear bogie	DIN LH	-	1	2	1	1	2
		DIN RH	-	1	2	1	1	2

Item	Description	Order number	Pattern					
			A	C	D	G	K	
	Set of GU-968/150 P-S tandem scissor sliders, tandem top-running	DIN LH	K-18270-00-L-1	1	2	1	1	2
		DIN RH	K-18270-00-R-1	1	2	1	1	2
1B	Scissor slider, centre	DIN LH	-	2	4	2	2	4
		DIN RH	-	2	4	2	2	4
25	Rod Ø 8	-	2	4	2	2	4	
8	Stay arm slide block	-	4	8	4	4	8	

GU-968/150 Parallel-Slide hardware system

Tandem bogie, top/bottom



GU-968/150 Parallel-Slide hardware system

Tandem bogie, top/bottom



Item	Description	Order number	Pattern					
			A	C	D	G	K	
	Set of GU-968/150 top Parallel-Slide scissor sliders	DIN LH	K-18268-00-L-1	1	2	1	1	2
		DIN RH	K-18268-00-R-1	1	2	1	1	2
1A	Front scissor slider	DIN LH	-	1	2	1	1	2
		DIN RH	-	1	2	1	1	2
2B	Rear scissor slider	DIN LH	-	1	2	1	1	2
		DIN RH	-	1	2	1	1	2

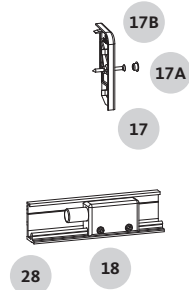
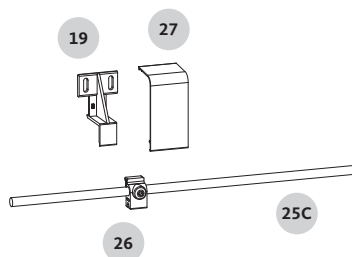
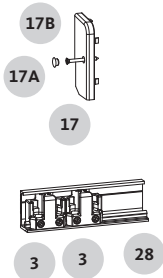
Item	Description	Order number	Pattern					
			A	C	D	G	K	
	Set of GU-968/150 P-S bogies	DIN LH	K-15278-00-L-0	1	2	1	1	2
		DIN RH	K-15278-00-R-0	1	2	1	1	2
1	Front bogie	DIN LH	-	1	2	1	1	2
		DIN RH	-	1	2	1	1	2
2	Rear bogie	DIN LH	-	1	2	1	1	2
		DIN RH	-	1	2	1	1	2

Item	Description	Order number	Pattern					
			A	C	D	G	K	
	Set of GU-968/150 P-S tandem scissor sliders, tandem top-running	DIN LH	K-18270-00-L-1	1	2	1	1	2
		DIN RH	K-18270-00-R-1	1	2	1	1	2
1B	Scissor slider, centre	DIN LH	-	2	4	2	2	4
		DIN RH	-	2	4	2	2	4
25	Rod Ø 8	-	2	4	2	2	4	
8	Stay arm slide block	-	4	8	4	4	8	

Item	Description	Order number	Pattern					
			A	C	D	G	K	
	Set of GU-968/150 P-S bogies	DIN LH	K-18915-00-L-0	1	2	1	1	2
		DIN RH	K-18915-00-R-0	1	2	1	1	2
1C	Tandem bogie	DIN LH	-	2	4	2	2	4
		DIN RH	-	2	4	2	2	4
	Set of GU-968/150 Tandem Ø 8 rods	K-18917-00-0-1	1	2	1	1	2	
25	Rod Ø 8	-	2	4	2	2	4	

GU-968/200 Parallel-Slide hardware system

Profiles



GU-968/200 Parallel-Slide hardware system

Profiles



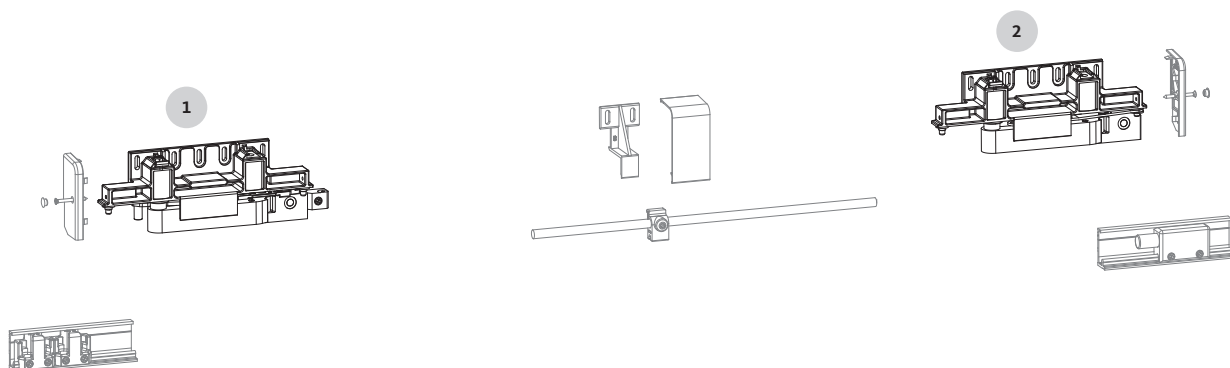
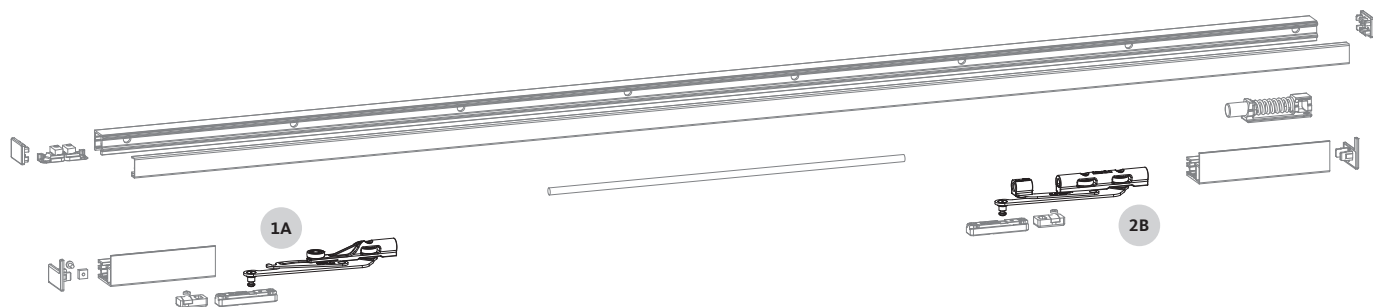
Item	Description	SW [mm]	Length [mm]	Order number	Pattern					
					A	C	D	G	K	
	Set of GU-968/200 P-S profiles	851 –1100	–	K-18271-25-0-1	1	2	1	1	2	
		1101 –2000	–	K-18271-40-0-1	1	2	1	1	2	
25	Rod Ø 8	–600	–	–	1	2	1	1	2	
		601–1000	–	–	1	2	1	1	2	
		1001–1300	–	–	1	2	1	1	2	
		1301–1500	–	–	1	2	1	1	2	
		1501–1800	–	–	1	2	1	1	2	
		Standard	1801–2000	–	–	1	2	1	1	2
		Tandem	1050–1850	–	–	2	4	2	2	4
25C	Rod Ø10	600–900	–	–	1	2	1	1	2	
		901–1000	–	–	1	2	1	1	2	
		1001–1300	–	–	1	2	1	1	2	
		1301–1600	–	–	1	2	1	1	2	
		1601–1800	–	–	1	2	1	1	2	
		Standard	1801–2000	–	–	1	2	1	1	2
		Tandem	1050–1850	–	–	2	4	2	2	4
26	Guide from SW 1101			–	1	2	1	1	2	
27	P 1608 cover rail	600 –850	880	–	1	2	1	1	2	
		851 –1100	1130	–	1	2	1	1	2	
		1101 –1350	1380	–	1	2	1	1	2	
		1351 –1600	1630	–	1	2	1	1	2	
		1601 –1850	1880	–	1	2	1	1	2	
		1851 –2000	1990	–	1	2	1	1	2	
28	P 1213 roller track			–	1	2	1	1	2	
29	Guide track P 1930			–	1	2	1	1	2	
29B	Guide track P 1931			–	1	2	1	1	2	
30A	P 1932 cover profile			–	1	2	1	1	2	

Item	Description	SW [mm]	Order number	Pattern				
				A	C	D	G	K
	Box of accessories for GU-968/200 Parallel-Slide accessories (included in the set of profiles)		K-18272-00-0-1	1	2	1	1	2
3	Control part [1]	Standard	–	1	2	1	1	2
		Tandem	–	2	4	2	2	4
3A	GU-oZ bb control part		–	1 LH 1 RH	2 LH 2 RH	1 LH 1 RH	1 LH 1 RH	2 LH 2 RH
8	Stay arm slide block	Standard	–	2	4	2	2	4
17	End cap for P 1603		–	1 LH 1 RH	2 LH 2 RH	1 LH 1 RH	1 LH 1 RH	2 LH 2 RH
17A	Cover-cap for end cap		–	2	4	2	2	4
17B	Countersunk-head tapping screw DIN 7982 ST 3.5 x 38-A2-C-H		–	2	4	2	2	4
18	Spring-loaded buffer		–	1	2	1	1	2
18A	P-S spring-loaded buffer		–	1	2	1	1	2
19	Support for P 1603/P 1608		–	1	2	1	1	2
31	End cap for guide track		–	1 LH 1 RH	2 LH 2 RH	1 LH 1 RH	1 LH 1 RH	2 LH 2 RH
31A	End cap for guide track		–	2	2	2	2	2
44	Tilt&Slide buffer		–	2	4	2	2	4
	Set of screws for GU-968/200 Parallel-Slide (included in set of profiles)		K-13068-00-0-1	1	2	1	1	2
71	Nut	600 –1350		6	12	6	6	12
72	Fillister-head screw M4 x 8 / DIN 7985	1351 –2000		12	24	12	12	24

[1] Item 3 (control part 6-33328-00-0-1) must be ordered separately for the Tandem version

GU-968/200 Parallel-Slide hardware system

Bogie



GU-968/200 Parallel-Slide hardware system

Bogie

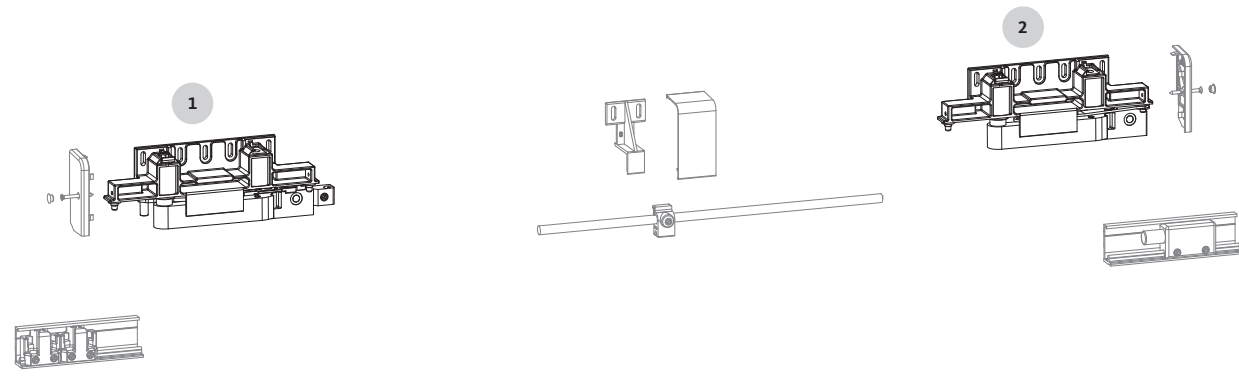
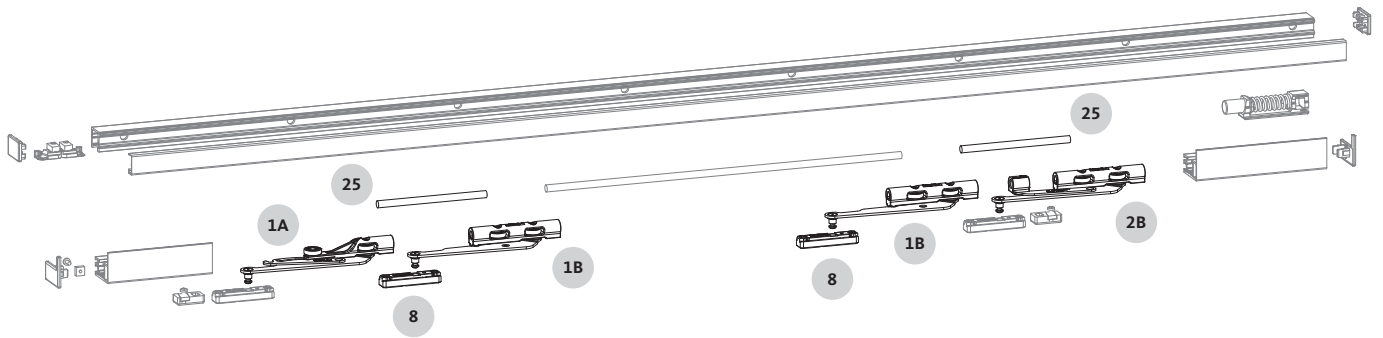


Item	Description	Order number	Pattern					
			A	C	D	G	K	
	Set of GU-968/200 top Parallel-Slide scissor sliders	DIN LH	K-18268-00-L-1	1	2	1	1	2
		DIN RH	K-18268-00-R-1	1	2	1	1	2
1A	Front scissor slider	DIN LH	-	1	2	1	1	2
		DIN RH	-	1	2	1	1	2
2B	Rear scissor slider	DIN LH	-	1	2	1	1	2
		DIN RH	-	1	2	1	1	2

Item	Description	Order number	Pattern					
			A	C	D	G	K	
	Set of GU-968/200 P-S bogies	DIN LH	K-15268-00-L-0	1	2	1	1	2
		DIN RH	K-15268-00-R-0	1	2	1	1	2
1	Front bogie	DIN LH	-	1	2	1	1	2
		DIN RH	-	1	2	1	1	2
2	Rear bogie	DIN LH	-	1	2	1	1	2
		DIN RH	-	1	2	1	1	2

GU-968/200 Parallel-Slide hardware system

Tandem bogie, top



GU-968/200 Parallel-Slide hardware system

Tandem bogie, top



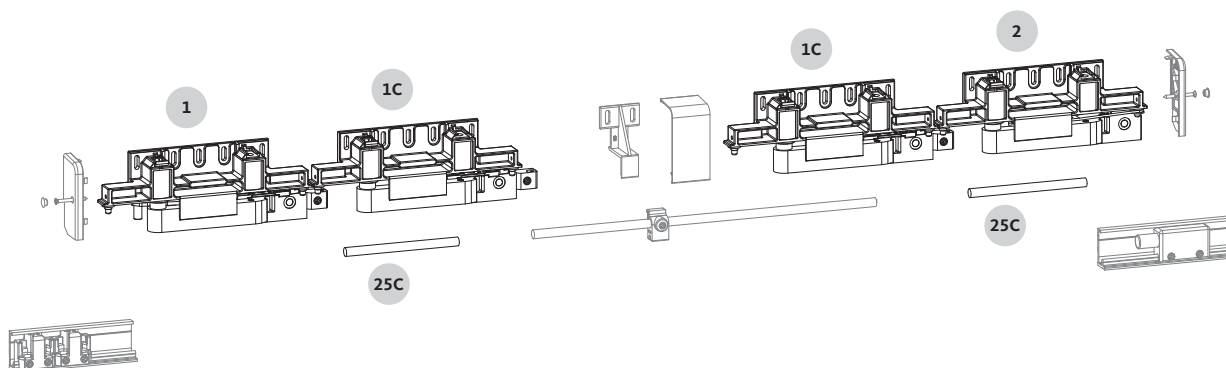
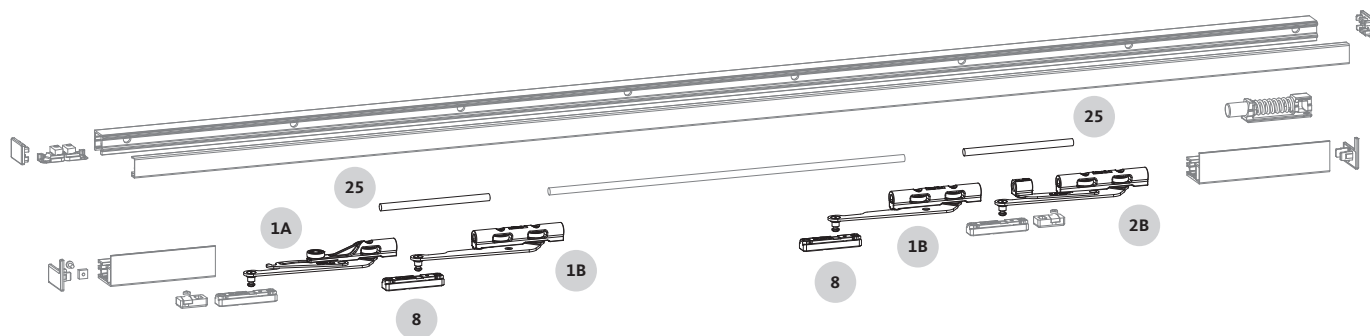
Item	Description	Order number	Pattern					
			A	C	D	G	K	
	Set of GU-968/200 top Parallel-Slide scissor sliders	DIN LH	K-18268-00-L-1	1	2	1	1	2
		DIN RH	K-18268-00-R-1	1	2	1	1	2
1A	Front scissor slider	DIN LH	-	1	2	1	1	2
		DIN RH	-	1	2	1	1	2
2B	Rear scissor slider	DIN LH	-	1	2	1	1	2
		DIN RH	-	1	2	1	1	2

Item	Description	Order number	Pattern					
			A	C	D	G	K	
	Set of GU-968/200 P-S bogies	DIN LH	K-15268-00-L-0	1	2	1	1	2
		DIN RH	K-15268-00-R-0	1	2	1	1	2
1	Front bogie	DIN LH	-	1	2	1	1	2
		DIN RH	-	1	2	1	1	2
2	Rear bogie	DIN LH	-	1	2	1	1	2
		DIN RH	-	1	2	1	1	2

Item	Description	Order number	Pattern					
			A	C	D	G	K	
	Set of GU-968/200 P-S tandem scissor sliders, tandem top-running	DIN LH	K-18270-00-L-1	1	2	1	1	2
		DIN RH	K-18270-00-R-1	1	2	1	1	2
1B	Scissor slider, centre	DIN LH	-	2	4	2	2	4
		DIN RH	-	2	4	2	2	4
25	Rod Ø 8	-	2	4	2	2	4	
8	Stay arm slide block	-	4	8	4	4	8	

GU-968/200 Parallel-Slide hardware system

Tandem bogie, top/bottom



GU-968/200 Parallel-Slide hardware system

Tandem bogie, top/bottom

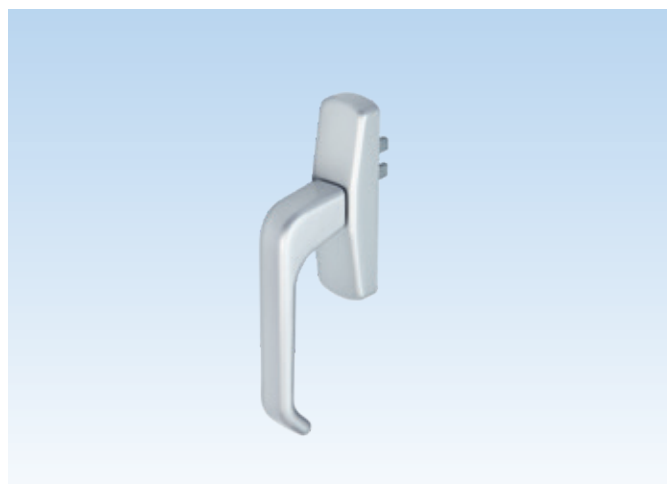


Item	Description	Order number	Pattern					
			A	C	D	G	K	
	Set of GU-968/200 top Parallel-Slide scissor sliders	DIN LH	K-18268-00-L-1	1	2	1	1	2
		DIN RH	K-18268-00-R-1	1	2	1	1	2
1A	Front scissor slider	DIN LH	-	1	2	1	1	2
		DIN RH	-	1	2	1	1	2
2B	Rear scissor slider	DIN LH	-	1	2	1	1	2
		DIN RH	-	1	2	1	1	2

Item	Description	Order number	Pattern					
			A	C	D	G	K	
	Set of GU-968/200 P-S bogies	DIN LH	K-15268-00-L-0	1	2	1	1	2
		DIN RH	K-15268-00-R-0	1	2	1	1	2
1	Front bogie	DIN LH	-	1	2	1	1	2
		DIN RH	-	1	2	1	1	2
2	Rear bogie	DIN LH	-	1	2	1	1	2
		DIN RH	-	1	2	1	1	2

Item	Description	Order number	Pattern					
			A	C	D	G	K	
	Set of GU-968/200 P-S tandem scissor sliders, tandem top-running	DIN LH	K-18270-00-L-1	1	2	1	1	2
		DIN RH	K-18270-00-R-1	1	2	1	1	2
1B	Scissor slider, centre	DIN LH	-	2	4	2	2	4
		DIN RH	-	2	4	2	2	4
25	Rod Ø 8	-	2	4	2	2	4	
8	Stay arm slide block	-	4	8	4	4	8	

Item	Description	Order number	Pattern					
			A	C	D	G	K	
	Set of GU-968/200 P-S bogies	DIN LH	K-15509-00-L-0	1	2	1	1	2
		DIN RH	K-15509-00-R-0	1	2	1	1	2
1C	Tandem bogie	DIN LH	-	2	4	2	2	4
		DIN RH	-	2	4	2	2	4
	Set of GU-968/200 Tandem Ø 10 rods	K-16564-00-0-1	1	2	1	1	2	
25C	Rod Ø10	-	2	4	2	2	4	



SPACIO geared turn handle

Geared turn handles

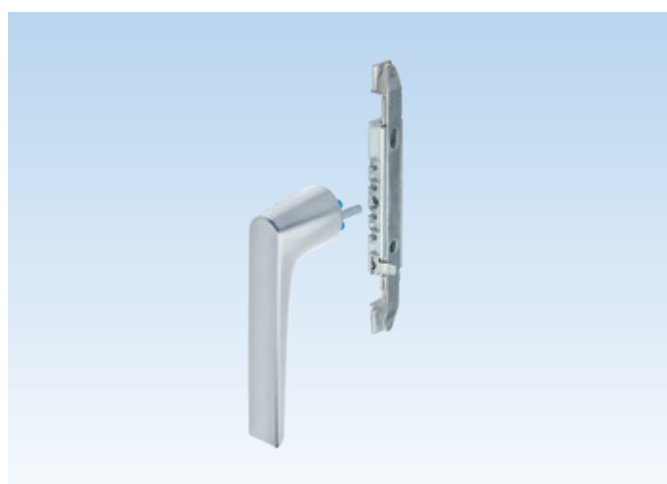
- Available in fork lengths of 22 mm and 33 mm
- With one carrier fork for all standard applications
- Optionally with removable service handles
- Slot measures 7.2x78 / 5.2x78 / 5.5x78 / 6x64



BELCANTO turn handle with insertable gear

Turn handles in combination with insertable gear

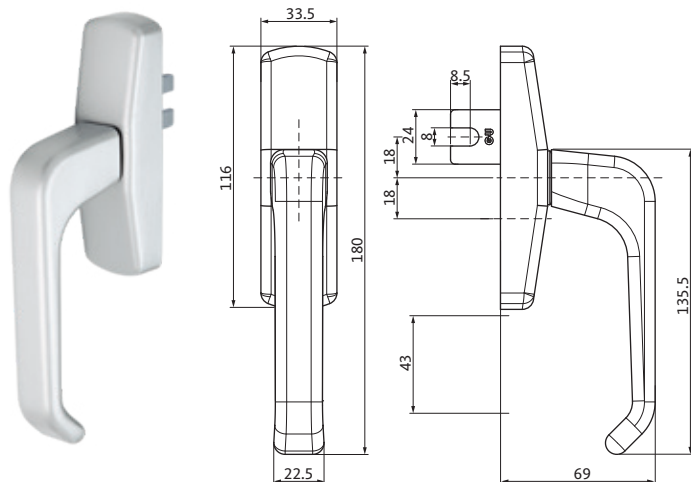
- Extensive range of designs and surface finishes
- Optional versions:
 - lockable with key or push-button
 - removable service handles
- Insertable gear:
 - optionally with mishandling device



Rosette-free turn handle with insertable gear

Rosette-free turn handles with insertable gear

- Turn handles without visible substructure for high design demands in projects
- Optional versions:
 - lockable with key
- Installation without milling work on the aluminium profile
- Insertable gear:
 - with mishandling device
- 3x Ø6.2 hole spacing 8.5 mm
- Insertable gear K-20050-00-0-1 with Ø8 mm engagement pin (2 pcs. Ø8 to Ø10 mm bushes included)
- Insertable gear K-20050-00-0-1 only compatible with handles 6-40186-00-0-1 / K-20048-00-0-1 / K-20049-00-9-1



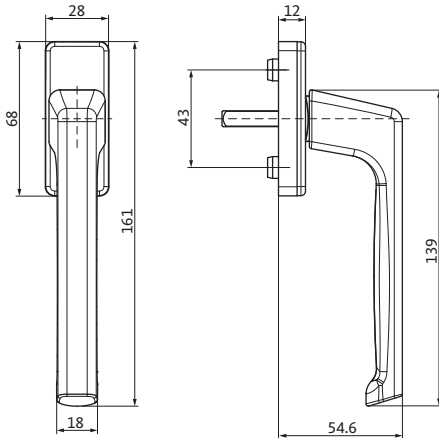
SPACIO geared turn handle

Technical data	
Opening type	Tilt&Slide element
DIN stop	left right
Min. sash overlap height [mm]	7
Max. sash overlap height [mm]	12
Type of fixing	screw-on
Installation tool	Hexagon socket size 4

Distance between fixing holes [mm]	Finish	PU	Order number
84 98	untreated	10	G-46551-00-0-0
	EV1 silver	10	G-46551-00-0-1
	dark bronze	10	G-46551-00-0-5
	black	10	G-46551-00-0-6
	traffic white	10	G-46551-00-0-7
96 104	untreated	10	G-46551-96-0-0
	EV1 silver	10	G-46551-96-0-1
	dark bronze	10	G-46551-96-0-5
	black	10	G-46551-96-0-6
	traffic white	10	G-46551-96-0-7
	Special colour available on request	10	G-46551-96-0-9

Turn handles

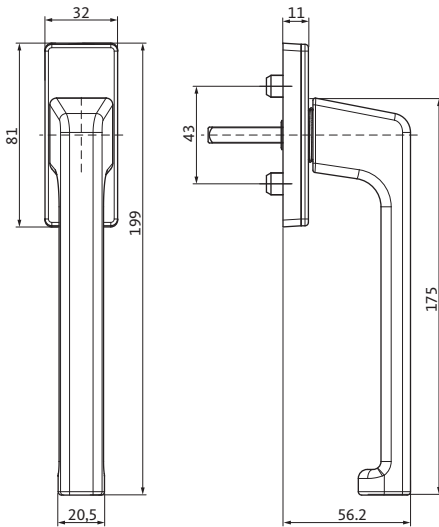
DIRIGENT



DIRIGENT-F turn handle

Technical data	
Opening type	Tilt&Slide element
DIN stop	left right
Distance between fixing holes [mm]	43
Width of square spindle [mm]	7
Length of square spindle [mm]	25, 29, 33, 38, 43

Finish	PU	Order number
EV1 silver	10	6-28072-25-0-11
black	10	6-28072-25-0-6
traffic white	10	6-28072-25-0-7



DIRIGENT HL turn handle

Technical data	
Opening type	Tilt&Slide element
DIN stop	left right
Distance between fixing holes [mm]	43
Width of square spindle [mm]	7
Length of square spindle [mm]	33, 40, 45

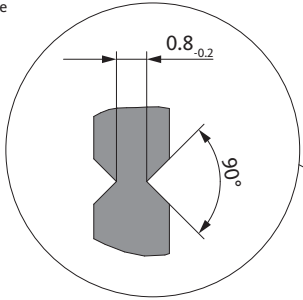
Finish	PU	Order number
EV1 silver	10	6-31382-33-0-11
black	10	6-31382-33-0-6
traffic white	10	6-31382-33-0-7

Installation dimensions and space requirement

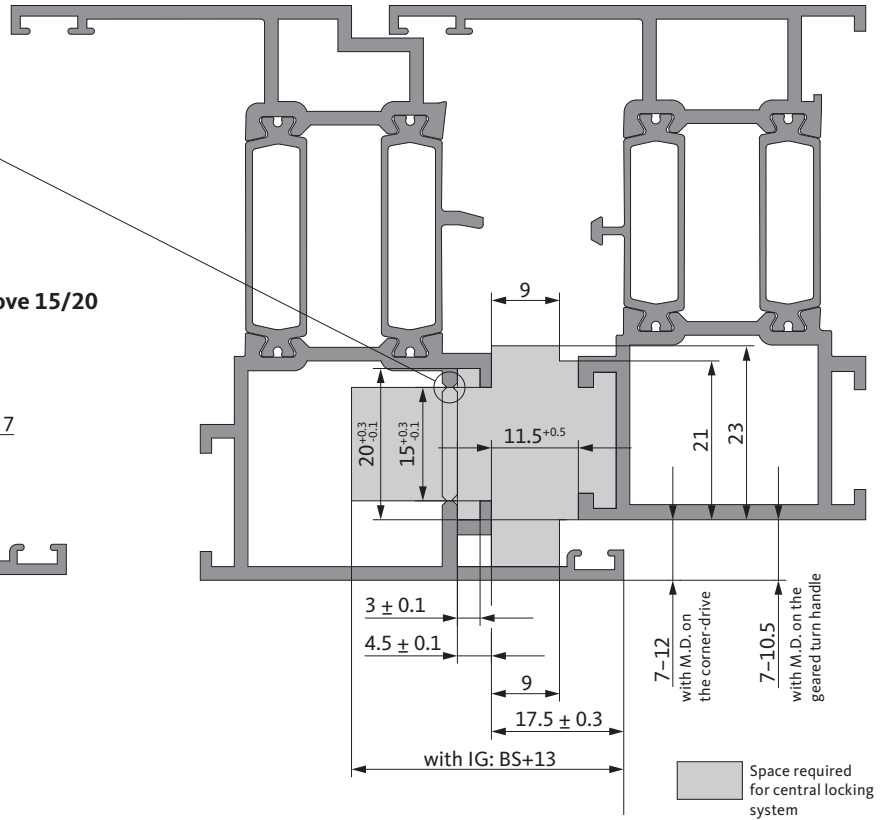
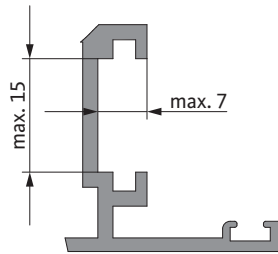
Central locking system



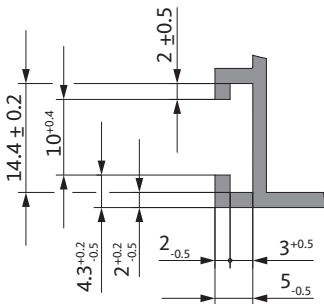
Required if the profile is machined for IG using punches.



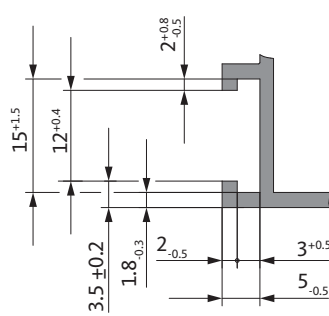
Recessed Euro-groove 15/20



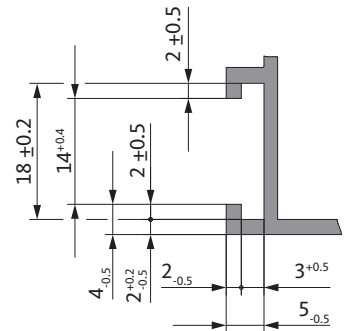
Frame groove 10/14



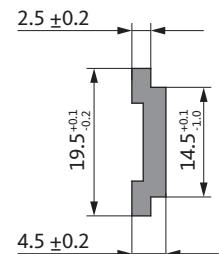
Frame groove 12/15



Frame groove 14/18



Connecting rod



List of abbreviations



List of abbreviations

BS	Backset (for insertable gears)
IG	Insertable gear
SW	Sash width
M.D.	Mishandling device
ST	Sash thickness
SW	Sash weight
SH	Sash height
HP	Hole pattern
oZ	without power control
P-S	Parallel-Slide
PSP	Parallel-Slide park
T&S	Tilt&Slide
PSL	Parallel-Slide lightweight
PC	Profile cylinder
SHEV	Smoke and heat exhaust ventilation systems
F&S	Fold&Slide hardware



Indication character of the technical information, exclusion of liability

The technical documents are general information based on our experience and tests and therefore do not take any specific application into account. They are intended as general information and for initial orientation only, and must not be used as the decision-making basis. They reflect the version of the catalogue at the time of going to press. Although we have made every attempt to ensure the information provided here is accurate, it is non-binding. It should be adapted to the respective construction projects, usage and specific on-site demands. As a consequence of further developments, but also in order to take current developments into account and to exclude printing errors or other mistakes, you will find the current version of the binding technical documents at www.g-u.com. Be sure to use the latest edition of our technical documents.

The product images shown in the publication may differ from the actual product, particularly as a result of technical improvements. We would also like to draw your attention to the current information at the website mentioned above.

Copyright notice

© All illustrations and texts in this publication are protected by copyright. Unless otherwise stated in the image credits, the rights belong to the Gretschi-Unitas group. Any use of copyright protected materials without the consent of the holder of the rights is prohibited.

Publisher
Gretsch-Unitas GmbH
Baubeschläge
Johann-Maus-Str. 3
71254 Ditzingen, Germany
Tel. +49 71 56 3 01-0
Fax +49 71 56 3 01-2 93
www.g-u.com



WINDOW TECHNOLOGY
DOOR TECHNOLOGY
AUTOMATIC ENTRANCE SYSTEMS
BUILDING MANAGEMENT SYSTEMS

Gretsch-Unitas GmbH
Baubeschlage
Johann-Maus-Str. 3
D-71254 Ditzingen
Tel. + 49 7156 301-0
Fax + 49 7156 301-77980

BKS GmbH
Heidestr. 71
D-42549 Velbert
Tel. + 49 2051 201-0
Fax + 49 2051 201-9733

www.g-u.com

Securing technology for you

