



WINDOW TECHNOLOGY  
DOOR TECHNOLOGY  
AUTOMATIC ENTRANCE SYSTEMS  
BUILDING MANAGEMENT SYSTEMS



PLANNING AND ORDERING DOCUMENT

## GU-SECURITY X

The flexible multi-point locks

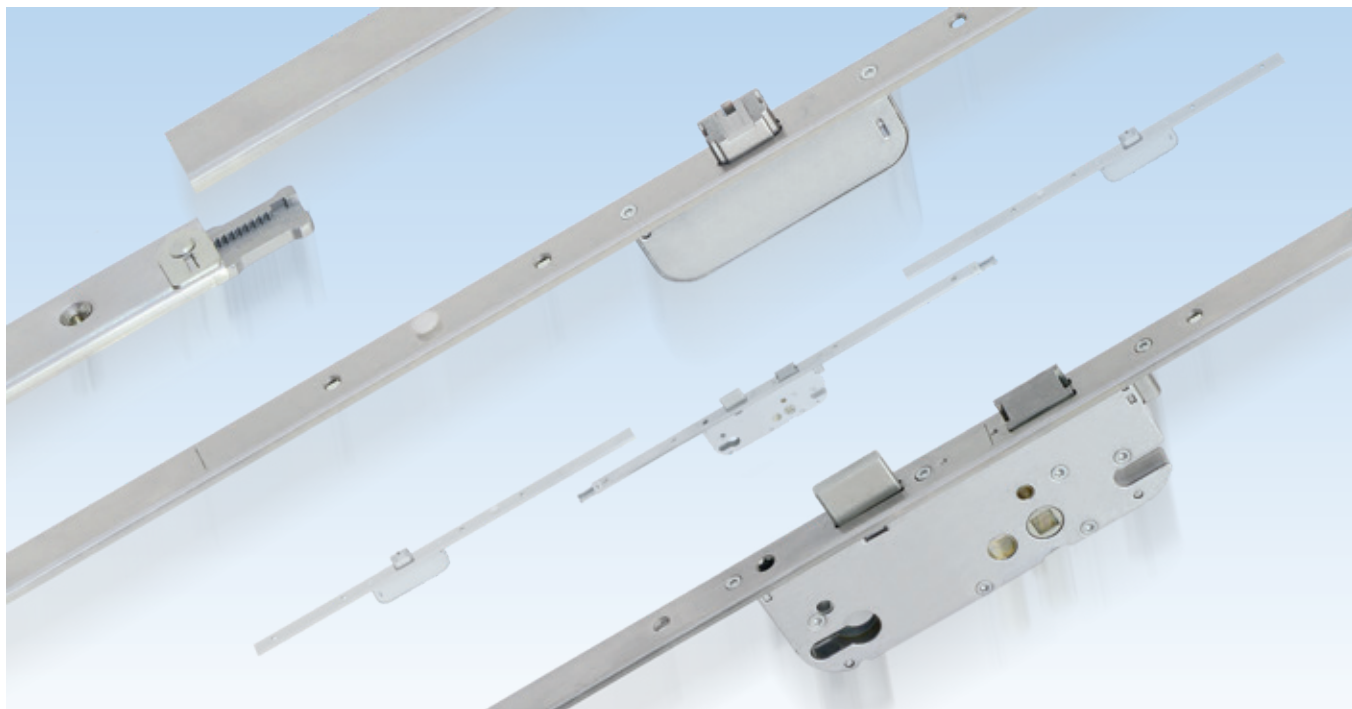


Securing technology for you



# Multi-point locks GU-SECURITY X

Low-cost – simple – flexible



GU-SECURITY X is an assortment of articles, consisting of a main lock case with various backsets as well as top and bottom extension pieces, in order to achieve dimensional flexibility concerning door handle height and position of additional locks.

The range is used when replacing ageing multi-point locks, when adding more security and when assembling customised solutions.

## Replacing old multi-point locks

GU-SECURITY multi-point locks are extremely durable and secure. However, after 30-40 years, the roller-cam or round bolt may need to be replaced. The GU-SECURITY X multi-point locks now allow for cost-effective, easy and flexible replacement.

An ageing multi-point lock can be replaced at the customer's premises using just a few components – and without needing to remove or replace the door.

The GU-SECURITY X-set includes all the necessary standard parts so that the issue can be fixed immediately without having to measure in advance and make two trips to the customer. This provides a real service for your customers.


## Retrofitting extra security

If the customer so wishes, a door can be converted from 'low' security to 'increased' security simply by replacing the lock case and locking elements.

## Flexibility using special solutions

Special versions, having variable locking points for example, can be assembled from the components easily and at low cost, and installed at the customer's premises.

## Advantages at a glance

- Comprehensive options for repair and upgrade using just a few components and minimal effort 
- No need to remove the door to replace the multi-point lock
- Lock recesses and L&D strikers do not have to be changed
- Multi-point locks from other manufacturers can be replaced
- Variable locking points possible during door production

## Product benefits of the GU-SECURY X range for house and apartment entrance doors

### Simple installation

- With comfortable coupling point
- With locating pin for fixing the connecting rod in place

### FleXible use (suitable for various door heights)

- Options for variable handle heights and locking points
- Intermediate faceplate for extension
- Identical for all timber, PVC and metal door systems
- Any number of cropping ranges for variable distances between the main lock case and additional locks
- Customised assembly of special versions

### Versions

- In roller locking cam, round bolt, massive bolt SH bolt and Automatic latchbolt locking types
- Variants
  - assorted backsets
  - square or round faceplate
  - flat faceplate 16, 18 and 20 mm or U-faceplate 24 x 6 mm
  - hole distance 92 mm or 72 mm for profile cylinders
  - hole distance 78 mm for round cylinders

### Optional accessories

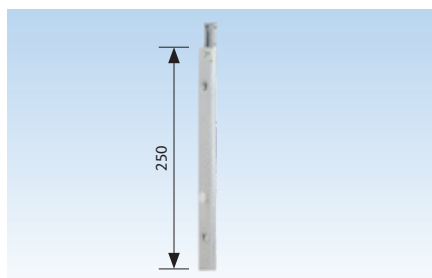
- Intermediate faceplate, reduction insert, clamps and end pieces, 'comfort' latch

### Economical storage

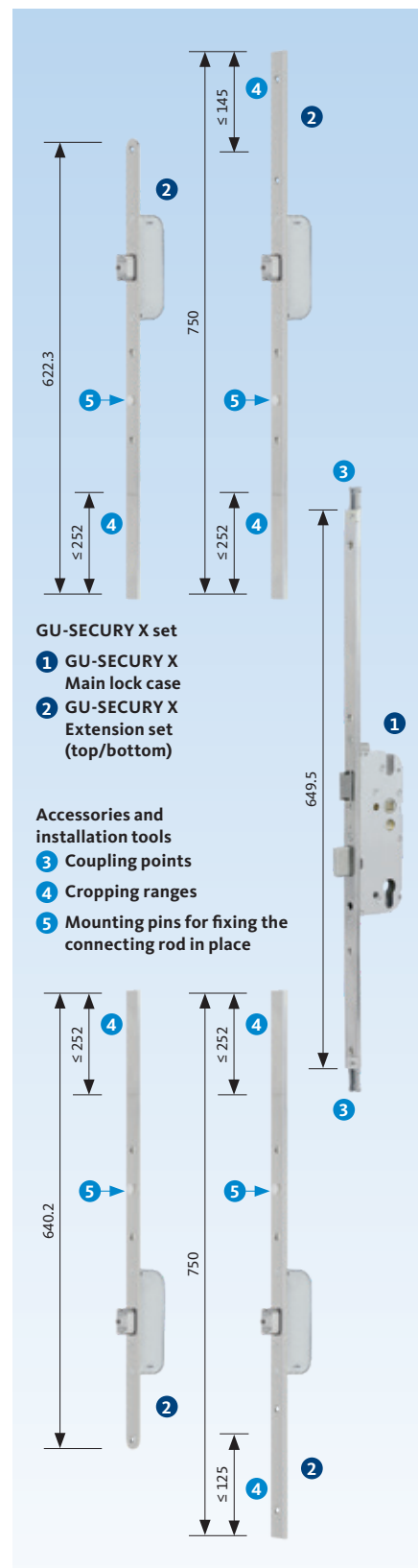
- As a kit comprising the main lock case and extension set (top/bottom)
- Main lock latch rh/lh reversible



Coupling point



Intermediate faceplate



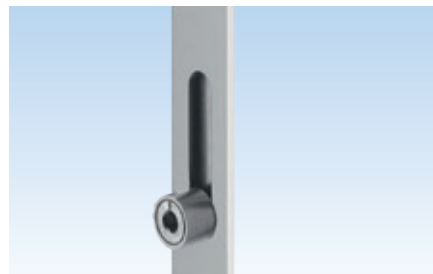
Illustrative example: GU-SECURY XA

# GU-SECURY X – lock types



## Locking cam, roller

The adjustable roller locking cams optimise the door leaf gasket pressure at the top and bottom.



Locking cam, roller

## Round bolt

The hardened steel round bolts with a projection of 20 mm and a bolt diameter of 11 mm fit precisely into the L&D striker and door frame. These are a secure solution when used with DIN steel door frames.



Round bolt

## Massive bolt

The GU-SECURY MR system provides you with a multi-point lock with massive bolts which is protected from being sawn through or forced back. The same frame locking components used with the GU-SECURY Automatic system can be used here.



Massive bolt

## Hook bolt

Securely locked with SH bolts. The GU-SECURY SH system provides you with a multi-point locking system which is saw-through proof and hooks in behind the striker. Due to the upwards locking motion of the SH bolt, this does not come down on the striker if the door is lowered.



Hook bolt

## Automatic latchbolt

The convenient locking system GU-SECURY Automatic, e.g. for house and apartment doors. As soon as the door is shut, the Automatic latchbolts automatically throw 20 mm and are secured to prevent them being forced back – the door is locked when just pulled shut. These locking systems can be opened at any time via the lever handle from the inside and by key from the outside.



Automatic latchbolt



## Installation and testing

### Step 1:

Crop the GU-SECURITY X extensions with additional locks to the desired size (note cropping range).

### Step 2

If the extensions are cropped, the burr produced in the cropping area must be removed before installation (partial installation) and exposed areas treated with an appropriate anti-corrosion agent.

### Step 3

Turn the plates on the main lock case to the horizontal position. First insert the main lock case (3.1) and then the two additional locks (3.2) into the door leaf. The uppermost of the additional locks is marked on the reverse of the faceplate.

### Step 4

Use appropriate fixing materials to fit the GU-SECURITY X in the door leaf.

### Step 5

Turn the plates on the main lock case back to the vertical position.

### Step 6

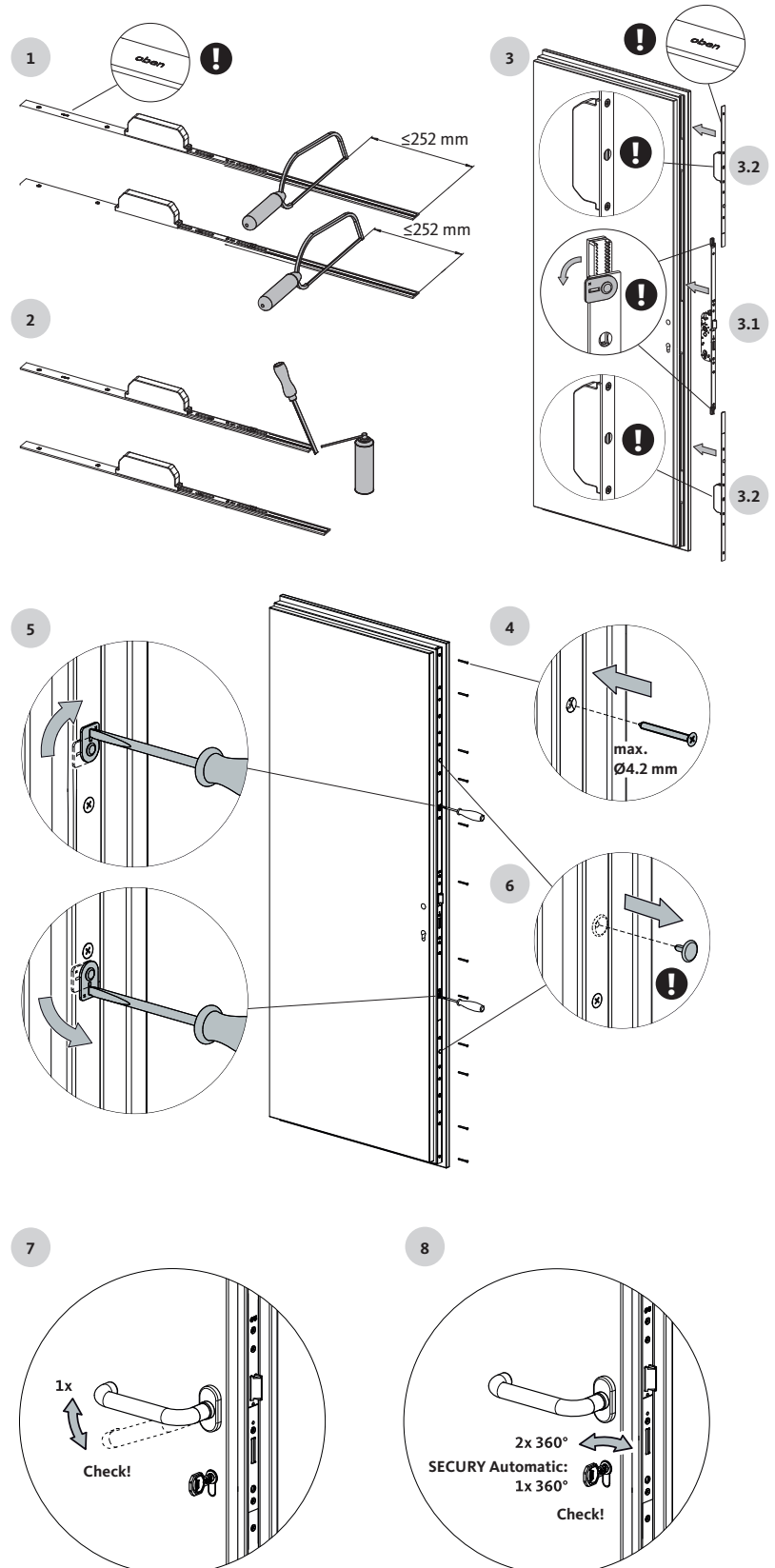
Remove the locating pin.

### Step 7

Actuate the lever handle once to verify the correct functioning of the door hardware.

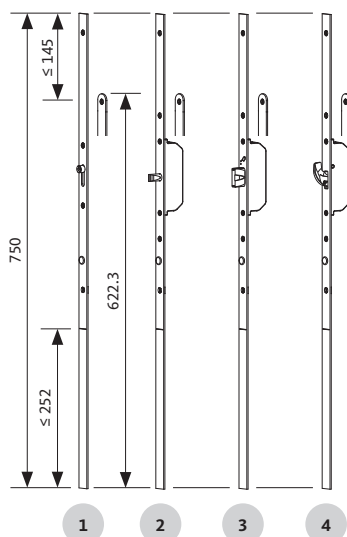
### Step 8

Turn the profile cylinder twice through 360° to check the lock and the latch lever function (manual locking).  
Turn the profile cylinder once through 360° to check the lock and the latch lever function (automatic locking).



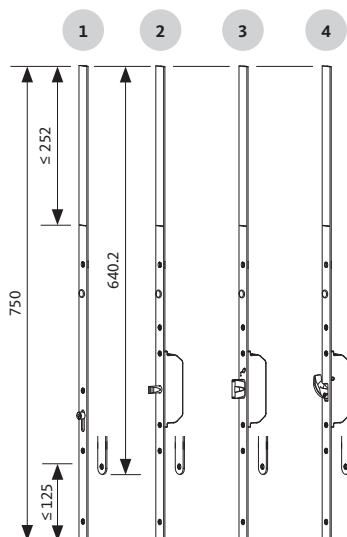
# GU-SECURITY X – manual locking

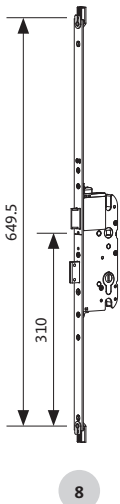
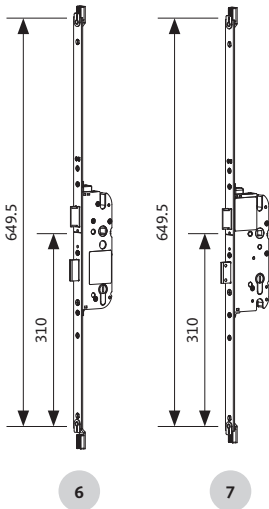
Order information – extension sets (top/bottom)



## GU-SECURITY X extension set (top/bottom)

Description		Faceplate [mm]	Faceplate end	PU	Order number
1	GU-SECURITY X-SZ-R2 (locking cam, roller)	U 24 x 6	square	5	K-19420-02-0-1
		24	square	5	K-19420-07-0-8
		20	square	5	K-19420-01-0-1
		20	round	5	K-19420-06-0-1
		18	square	5	K-19420-03-0-1
		18	round	5	K-19420-05-0-1
		16	square	5	K-19420-04-0-1
2	GU-SECURITY X-SB2 (round bolt)	U 24 x 6	square	5	K-19421-02-0-1
		20	square	5	K-19421-01-0-1
		20	round	5	K-19421-06-0-1
		18	square	5	K-19421-03-0-1
		18	round	5	K-19421-05-0-1
		16	square	5	K-19421-04-0-1
		3	GU-SECURITY X-MR2 (massive bolt)	U 24 x 6	square
24	square			5	K-19564-07-0-8
20	square			5	K-19564-01-0-1
20	round			5	K-19564-06-0-1
18	square			5	K-19564-03-0-1
18	round			5	K-19564-05-0-1
16	square			5	K-19564-04-0-1
4	GU-SECURITY X-SH2 (hook bolt)	U 24 x 6	square	5	K-19565-02-0-1
		24	square	5	K-19565-07-0-8
		20	square	5	K-19565-01-0-1
		20	round	5	K-19565-06-0-1
		18	square	5	K-19565-03-0-1
		18	round	5	K-19565-05-0-1
		16	square	5	K-19565-04-0-1





### GU-SECURITY X main lock case with profile cylinder [1]

For the roller locking cam, round bolt, massive bolt and hook bolt locking types

Description	Backset [mm]	Faceplate [mm]	Follower [mm]	PU	Order number
<b>92 mm hole distance</b>					
6 GU-SECURITY X	80	U 24 x 6	10	5	6-39046-10-0-1
		20	10	5	6-39046-04-0-1
		16	10	5	6-39046-19-0-1
	65	U 24 x 6	10	5	6-39046-09-0-1
		20	10	5	6-39046-03-0-1
		16	10	5	6-39046-18-0-1
	55	U 24 x 6	10	5	6-39046-32-0-1
		20	10	5	6-39046-31-0-1
		16	10	5	6-39046-30-0-1
	50	U 24 x 6	10	5	6-39046-29-0-1
		24	10	5	6-39046-27-0-8
		16	10	5	6-39046-25-0-1
	45	U 24 x 6	10	5	6-39046-08-0-1
		24	10	5	6-39046-23-0-8
		20	10	5	6-39046-02-0-1
		16	10	5	6-39046-17-0-1
	40	U 24 x 6	10	5	6-39046-28-0-1
		24	10	5	6-39046-26-0-8
		16	10	5	6-39046-24-0-1
	35	U 24 x 6	10	5	6-39046-07-0-1
		24	10	5	6-39046-22-0-8
		20	10	5	6-39046-01-0-1
		16	10	5	6-39046-16-0-1
	<b>72 mm hole distance (for DIN door frames)</b>				
7 GU-SECURITY XDZ	65	U 24 x 6	8	5	6-39046-12-0-1
		24	8	5	6-39046-34-0-8
		20	8	5	6-39046-06-0-1
		16	8	5	6-39046-21-0-1
	55	U 24 x 6	8	5	6-39046-11-0-1
		24	8	5	6-39046-33-0-8
		20	8	5	6-39046-05-0-1
		16	8	5	6-39046-20-0-1

[1] Marking notch 310 mm, variable handle height

### GU-SECURITY X main lock case with Swiss round cylinder [1]

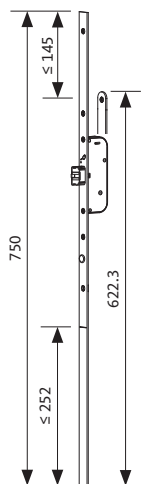
For the roller locking cam, round bolt, massive bolt and hook bolt locking types

Description	Backset [mm]	Faceplate [mm]	Follower [mm]	PU	Order number
<b>78 mm hole distance</b>					
8 GU-SECURITY X	80	18	10	5	6-39046-15-0-1
	70	18	10	5	6-39046-14-0-1
	60	18	10	5	6-39046-13-0-1

[1] Marking notch 310 mm, variable handle height

# GU-SECURITY X – automatic locking

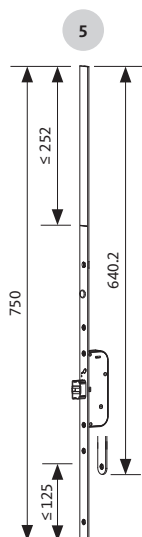
Order information – extension sets (top/bottom)



5

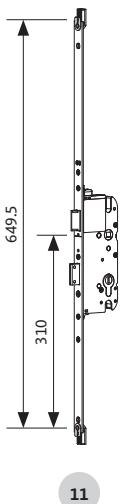
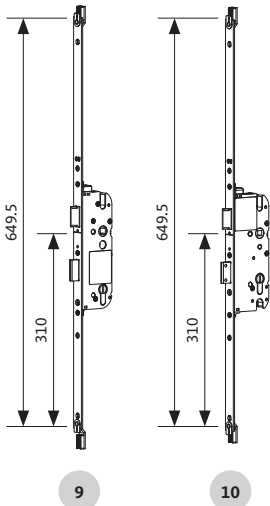
## GU-SECURITY X extension set (top/bottom)

Description		Faceplate [mm]	Faceplate end	PU	Order number
5	GU-SECURITY X-AUT2 (Automatic latchbolt)	U 24 x 6	square	5	K-19605-02-0-1
		24	square	5	K-19605-07-0-8
		20	square	5	K-19605-01-0-1
		20	round	5	K-19605-06-0-1
		18	square	5	K-19605-03-0-1
		18	round	5	K-19605-05-0-1
		16	square	5	K-19605-04-0-1



5





### GU-SECURITY X main lock case with profile cylinder [2]

For the Automatic latchbolt

Description	Backset [mm]	Faceplate [mm]	Follower [mm]	PU	Order number
<b>92 mm hole distance</b>					
9 GU-SECURITY XA	80	U 24 x 6	10	5	6-39460-10-0-1
		20	10	5	6-39460-04-0-1
		16	10	5	6-39460-19-0-1
	65	U 24 x 6	10	5	6-39460-09-0-1
		20	10	5	6-39460-03-0-1
		16	10	5	6-39460-18-0-1
	55	U 24 x 6	10	5	6-39460-32-0-1
		20	10	5	6-39460-31-0-1
		16	10	5	6-39460-30-0-1
	50	U 24 x 6	10	5	6-39460-29-0-1
		24	10	5	6-39460-27-0-8
		16	10	5	6-39460-25-0-1
	45	U 24 x 6	10	5	6-39460-08-0-1
		24	10	5	6-39460-23-0-8
		20	10	5	6-39460-02-0-1
		16	10	5	6-39460-17-0-1
	40	U 24 x 6	10	5	6-39460-28-0-1
		24	10	5	6-39460-26-0-8
		16	10	5	6-39460-24-0-1
	35	U 24 x 6	10	5	6-39460-07-0-1
		24	10	5	6-39460-22-0-8
		20	10	5	6-39460-01-0-1
		16	10	5	6-39460-16-0-1
	<b>72 mm hole distance (for DIN door frames)</b>				
10 GU-SECURITY XADZ	65	U 24 x 6	8	5	6-39460-12-0-1
		24	10	5	6-39460-34-0-8
		20	8	5	6-39460-06-0-1
		16	8	5	6-39460-21-0-1
	55	U 24 x 6	8	5	6-39460-11-0-1
		24	10	5	6-39460-33-0-8
		20	8	5	6-39460-05-0-1
		16	8	5	6-39460-20-0-1

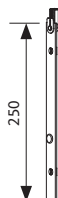
[2] Marking notch 310 mm, variable handle height

### GU-SECURITY X main lock case with Swiss round cylinder [2]

For the Automatic latchbolt

Description	Backset [mm]	Faceplate [mm]	Follower [mm]	PU	Order number
<b>78 mm hole distance</b>					
11 GU-SECURITY XA	80	18	10	5	6-39460-15-0-1
	70	18	10	5	6-39460-14-0-1
	60	18	10	5	6-39460-13-0-1

[2] Marking notch 310 mm, variable handle height



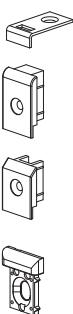
## Intermediate faceplate – faceplate length 250 mm

Description	Faceplate [mm]	PU	Order number
GU-SECURITY X intermediate faceplate (Only in combination with GU-SECURITY X - manual-locking)	U 24 x 6	5	6-39383-02-0-1
	24	5	6-39383-05-0-8
	20	5	6-39383-01-0-1
	18	5	6-39383-03-0-1
	16	5	6-39383-04-0-1



## Reduction insert

Description	PU	Order number
Reduction insert – follower 10 mm to 8 mm	10	9-30481-00-0-1
Reduction insert – follower 10 mm to 9 mm	10	B 7685 0003



## Clamping part/end piece for faceplate top

Description	Faceplate [mm]	Shape	PU	Order number
Clamping part for faceplate top	–	–	100	9-29498-00-0-1
End piece for faceplate top	20	round	100	9-35946-02-0-1
End piece for faceplate top	20	bevelled	100	9-35946-03-0-1
End piece for faceplate top	U 24 x 6	bevelled	200	9-39909-01-0-6



## 'Comfort' latch – for subsequent replacement

Description	Backset [mm]	PU	Order number
'Comfort' latch	35	1	9-43487-35-0-1
	45	1	9-43487-45-0-1
	55	1	9-43487-55-0-1
	65	1	9-43487-65-0-1
	80	1	9-43487-80-0-1





WINDOW TECHNOLOGY  
DOOR TECHNOLOGY  
AUTOMATIC ENTRANCE SYSTEMS  
BUILDING MANAGEMENT SYSTEMS

Gretsch-Unitas GmbH  
Baubeschläge  
Johann-Maus-Str. 3  
71254 Ditzingen, Germany  
Tel. +49 7156 301-0  
Fax +49 7156 301-77980

BKS GmbH  
Heidestr. 71  
42549 Velbert  
Germany  
Tel. +49 2051 201-0  
Fax +49 2051 201-9733

[www.g-u.com](http://www.g-u.com)

Printed in Germany  
10/2021  
WP00335-04-2-2



Copyright notice  
© All illustrations and texts in this publication are protected by copyright. Unless otherwise stated on the image, the rights belong to the Gretsch-Unitas Group. Any use of copyright protected materials without the consent of the holder of the rights is prohibited.

Publisher  
Gretsch-Unitas GmbH Baubeschläge  
Johann-Maus-Str. 3 | D-71254 Ditzingen  
Tel. +49 7156 301-0 | Fax +49 7156 301-293 | [www.g-u.com](http://www.g-u.com)

Securing technology for you

