



WINDOW TECHNOLOGY
DOOR TECHNOLOGY
AUTOMATIC ENTRANCE SYSTEMS
BUILDING MANAGEMENT SYSTEMS



DOOR TECHNOLOGY – PLANNING GUIDE AND ORDER CATALOGUE

System solutions for narrow stile doors

Edition 09/2023

Securing technology for you



The Gretsch-Unitas group

Opening, moving, closing, securing – true to its motto "Securing technology for you", Gretsch-Unitas group provides groundbreaking solutions for window and door technology, automatic entrance systems and building management systems. With its system brands, the group delivers solutions for burglar inhibition on doors and windows, for barrier-free building, for doors in escape and rescue routes, extending to individual facade solutions for projects.



Gretsch-Unitas GmbH Baubeschläge



GU in Ditzingen is the headquarters of the group, development, administration and the production of modern architectural hardware for window and door technology. Apart from different flexible assembly departments, the production site comprises a high-tech punching, and galvanising facility.

BKS GmbH



BKS manufactures mechanical and electronic locking cylinders, locks, locking systems and panic locks for escape and rescue routes. Harmonised mechanical and electronic system solutions are available for access control.

FERCO International S.A.S.



Ferco is the largest production site for window hardware in France. As a subsidiary of the Gretsch-Unitas group, Ferco also offers customer support and distribution in France for all products of the group.



GU Automatic



GU Automatic offers innovative, secure and reliable solutions for automatic entrance systems and automatic door systems, revolving doors, all-glass sliding walls, security curved sliding doors and controlled physical access.

ela-soft



The successful GEMOS facility management and organisation system was designed by ela-soft, one of the market and technology leaders in the building technology branch.

Securing technology for you





General information

Table of contents	7
-------------------	---

Lock and door hardware combinations

Overview of series	15
Single and double-leaf doors with standard function	28
Single and double-leaf doors with panic function	56
Special applications	176

Locks and multi-points locks for use with PC and Swiss round profile-cylinders

Table of contents	185
Overview – product features	186
Manual-locking locking systems	190
Self-locking locking systems	304
Accessories	380

Door hardware for escape doors to EN 1125

Table of contents	429
Electrically-locking Touch Bar (EVT)	430
Touch bars	432
Push bars	436
Face-fixed panic exit devices	444
Accessories	456

Escape door security

Table of contents	461
Escape door control units	462
Locking elements	470
Accessories for escape door control units	472
Visualisation and system management	474

Additional information

Technical information	479
Useful information	511



Systematic service

Service, planning, seminars

8

Ordering made easy

Your guide to using the catalogue

10

Materials and finishes

12

Explanation of pictographs

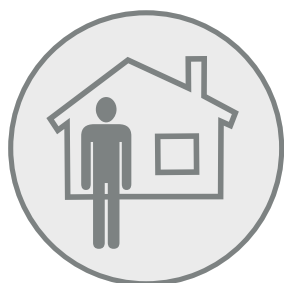
13

Systematic service

Service, planning, seminars



Systematic Service



Building project consulting

We make your everyday work easier: building project consulting assists architects and planners; for example by preparing project-specific drawings and door schedules, cable diagrams and tender specifications or conceptual designs with functional descriptions. Our well thought-out and coordinated system solutions guarantee optimum functionality and also compliance with the required standards and directives.



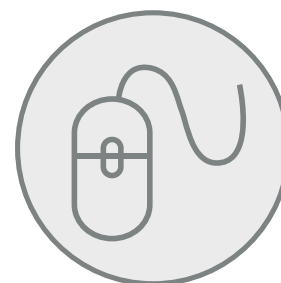
Door engineering

Step by step to the right door solution: the GU group door engineering concept is the last word in efficiency when it comes to configuration of individual doors. Solutions are developed based on experimental models that cleverly overlap the various trades. The documentation ensures maximum planning reliability based on clearly laid-out door configuration lists.



Tender-Text-Manager

Comprehensive, legally sound and technically up-to-date: with the Tender-Text-Manager, we are offering architects and planners a convenient and effective online tool that allows them to effortlessly compile technical specifications and complete tender specifications – for all GU group products.



Customer Information System

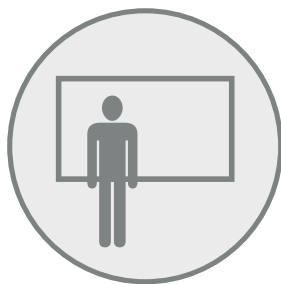
Available at the click of a mouse: the Customer Information System (CIS) is an ordering and information system for all GU group products. You can use the online platform 24 hours a day 7 days a week to access important information: from preparing a quotation through to performing an availability check in real-time, from placing the order to order tracking.

A product on its own is not a solution. The correct level of security, function and cost-effectiveness can only be achieved with the right planning and by ensuring correct application. The GU group therefore also applies the systematic thought processes demonstrated in its product range to its service offering. Close interlinking of one-to-one expert advice, free online support and a comprehensive programme of technical seminars aims to make the day-to-day work of customers easier.



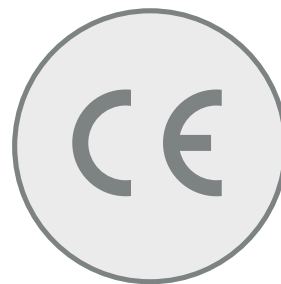
confiGUrator

The right products in the right quantity: the practical confiGUrator is an online platform where part lists and hardware sets can be precisely determined. Based on the specifications for the particular project, a technically correct parts list is generated within seconds. The data is determined based on current conditions and fundamental technical principles.



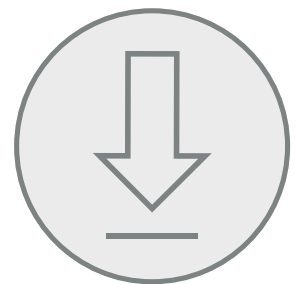
Seminars and training courses

Practical knowledge based on first-hand experience: with around 160 events annually, the GU group offers an extremely wide range of seminars and training courses. The programme includes product innovations and their applications, current architectural trends and standards and directives. Several seminars and training courses are certified and recognised as advanced training courses by the chamber of architects and civil engineers in Germany.



CE-certified products

Security you can rely on: the locks of the series 23 and 21 and the SECURY 21 multi-point locks are CE-certified. This is how the GU group reassures its customers that these products meet the requirements of the European Union. In addition, by using CE marking, we take responsibility for the fact that the products fulfil all the characteristics defined in the Declaration of Performance.



Free download

Planning made simple: a wide range of information on the products and applications is available to download from our company website to the local hard drive quickly, conveniently and free of charge: from product documents and installation drawings to Declarations of Performance through to software solutions.

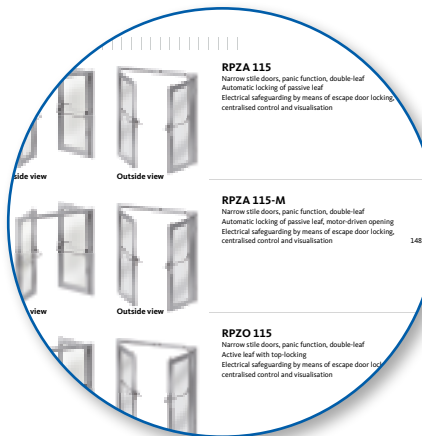
Ordering made easy

Your guide to using the catalogue



Door situations

The graphic examples illustrate the different door situations. Different door versions (single or double-leaf doors) and door hardware sets are shown. The individual door situations are coded (e.g. RPZO 110) to simplify the search in the lock and door hardware combinations section of the catalogue. The description of the marking provides initial information regarding the lock designs.



Lock and door hardware combinations

Overview of series
Double-leaf doors with panic function to EN 12225

Code	Door version	Leaf type	Lock type	Page
RPZA 115	Narrow stile doors, panic function, double-leaf	Automatic locking of passive leaf	Electrical safeguarding by means of escape door locking, centralised control and visualisation	148
RPZA 115-M	Narrow stile doors, panic function, double-leaf	Automatic locking of passive leaf, motor-driven opening	Electrical safeguarding by means of escape door locking, centralised control and visualisation	148
RPZO 115	Narrow stile doors, panic function, double-leaf	Active leaf with top locking	Electrical safeguarding by means of escape door locking, centralised control and visualisation	152
RPZAS 115	Narrow stile doors, panic function, double-leaf	SECURITY multi-point lock	Electrical safeguarding by means of escape door locking, centralised control and visualisation	156

Lock and door hardware combinations

Each combination is documented on four pages in detail. In addition to the schematic illustration you will find a detailed functional description and application examples.



Individual door hardware combinations

Combination RPZAS 115
Panic function, double-leaf, automatic locking of passive leaf, SECURITY

Functional description
Active leaf: The active leaf can be opened by the push bar at any time (panic function). With a SECURITY lock, the door locks automatically without having to use the key.
Passive leaf: The passive leaf is opened using the key and lever handle. When using the key and lever handle, the door locks automatically without having to use the key.

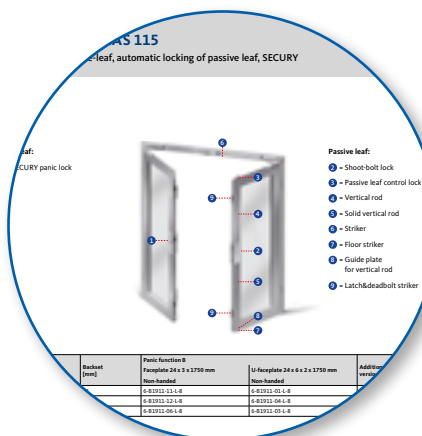
Possible applications
Escape door to EN 12225 in public buildings
Suitable for fire and smoke protection doors
As the lever handle is on the outside, the door can be used in a connecting door from both sides depending on the particular panic function
Suitable for very high entrance doors with a tendency to warp (only by agreement with the door fabricator and in compliance with approvals)
Automatic multi-point locking
Enhanced burglar protection and greater pressure resistance to the additional locking
Optional combination with electric escape door assembly components

Recommendations
Escape door to EN 12225 in public buildings
Suitable for fire and smoke protection doors
As the lever handle is on the outside, the door can be used in a connecting door from both sides depending on the particular panic function
Suitable for very high entrance doors with a tendency to warp (only by agreement with the door fabricator and in compliance with approvals)
Automatic multi-point locking
Enhanced burglar protection and greater pressure resistance to the additional locking
Optional combination with electric escape door assembly components

Selecting products: locks

This sample page shows the required locks including accessories. The necessary accessories are also included. The numbering of the components in the graphic helps to select the required products step-by-step.

The part numbers shown represent only a selection of the available products. Additional variants can be found in the product catalogue. You will find the corresponding catalogue pages in the tables.



Individual door hardware combinations

Combination RPZAS 115
Panic function, double-leaf, automatic locking of passive leaf, SECURITY

Active leaf:
SECURITY panic lock

Passive leaf:
Shoon bolt lock
Escape leaf control lock
Vertical rod
Solid vertical rod
Striker
Floor striker
Guide plate for vertical rod
Latch/deadbolt strike

Part	Material	Accessories	Accessories	Accessories	Accessories
1	Steel	SECURITY panic lock	Shoon bolt lock	Escape leaf control lock	Vertical rod
2	Steel		Solid vertical rod	Striker	Floor striker
3	Steel		Guide plate for vertical rod	Latch/deadbolt strike	

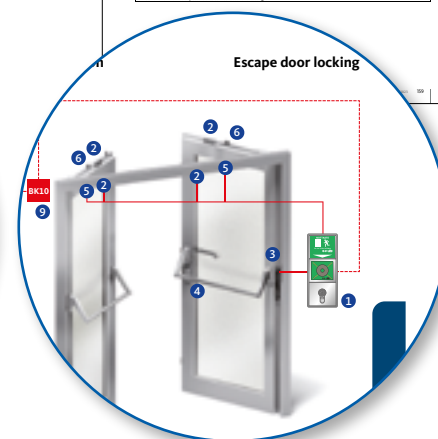
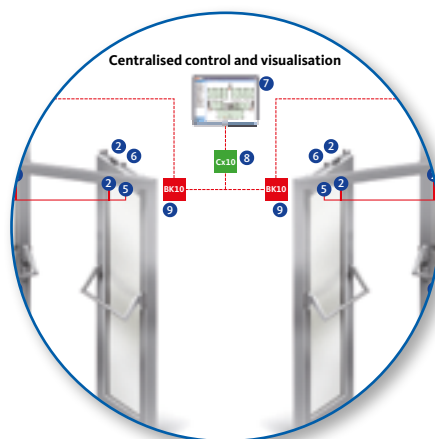
Selecting products: electronics

Each door situation is presented with possible lock monitoring options.

Additional graphics and the appropriate tables show possible connections to escape door locking, central visualisation and control systems. The appropriate electronic components are also shown in the product catalogue. The page numbers are indicated in the table.

Combination RPZAS 115
Panic function, double-leaf, automatic locking of passive leaf, SECURITY

Monitoring contacts	Function	Terminal	Wiring	Notes	Order number	Page
1	Emergency stop	1	NC			
2	Emergency stop	2	NC			
3	Emergency stop	3	NC			
4	Emergency stop	4	NC			
5	Emergency stop	5	NC			
6	Emergency stop	6	NC			
7	Emergency stop	7	NC			
8	Emergency stop	8	NC			
9	Emergency stop	9	NC			



Products

In addition to the product photograph and the dimensioned drawings, you can also find a detailed functional description and detailed product information on the double page spreads. The tables contain the corresponding order numbers for locks prepared for a profile cylinder or Swiss round cylinder. Depending on the product, descriptions of additional variants will be provided here.

B-1900 panic lock
for 1-leaf doors with top-locking

Functional description
Panic function B

Order number	Material	Finish	Faceplate	Order number	Order number
B-19000-00-U-8	Al	Black	24 x 3 x 270 mm	B-19000-00-U-8	B-19000-00-U-8
B-19000-01-U-8	Al	Black	24 x 3 x 270 mm	B-19000-01-U-8	B-19000-01-U-8
B-19000-02-U-8	Al	Black	24 x 3 x 270 mm	B-19000-02-U-8	B-19000-02-U-8

Ordering made easy

Materials and finishes



Standard finishes

The finishes and materials are for all window and door handles. We use high-quality aluminium alloys for the hardware range. Our stainless steel hardware is rust-free and distinguished by its outstanding performance characteristics. Thanks to product-specific coating processes, we achieve optimum resistant finishes with particularly long-lasting durability, also in various RAL colours.

Finish 1: silver/EV1 look

With its cool, slightly reflective finish, the silver/EV1 look perfectly complements modern interiors. This robust finish is impressive owing to its high impact- and scratch-resistance.



Finish 8: satin stainless steel

The satin stainless steel finish is particularly durable, making it an ideal, environmentally friendly alternative to other finish coatings.



Finish 3: PVD brass

Our high-quality hardware in brass look is manufactured from stainless steel with a titanium (PVD) coating. Outstanding characteristics such as corrosion resistance, wear resistance and low maintenance set this finish apart from other finishes.



Finish 7: traffic white (RAL 9016)



Finish 9: more finishes available on request

Our hardware solutions are also available in various special colours on request. Individual design solutions and colour concepts can thus be realised throughout the entire building.

*Ordering example for selection of finish

Lever set with rosettes

Square size = 8 mm = B-72030-□□-0-□

Hole-type – backplate design = PC – oval = 0

Lever handle model = RONDO H1.1 = 1

Finish = 8 = satin stainless steel

More finishes available on request.












Cylinder hole-type – backplate design

Lever handle model

Finish

B-72030-□□-0-□ = order number B-72030-01-0-8

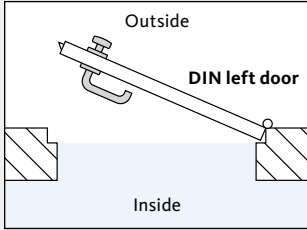
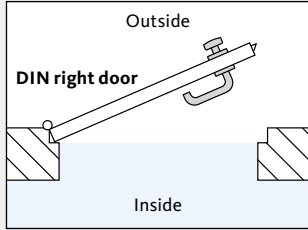
The following pictographs are used in this catalogue:

-  These products are approved as panic exit devices according to EN 1125.
-  These products have been tested in accordance with EN 1906.
-  These products are approved as emergency exit devices according to EN 179.
-  These products are suitable for barrier-free construction to DIN 18040.
-  These products are suitable for use in fire protection doors.
-  These products are approved and evaluated by the German Association of Non-Life Insurers (VdS) acc. to individual directives for the prevention of loss.
-  These products have been tested in accordance with the directives for electronic locking systems for doors in rescue routes.
-  These products are tested and certified in a wide range of security classes to meet individual burglar resistance demands.
-  These products can be integrated into door management systems such as BKS-NET.
-  These products have been tested in accordance with EN 14846.
-  These products are CE-certified.

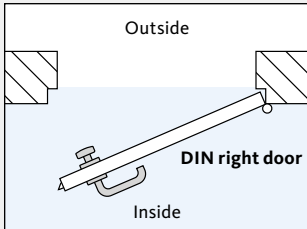
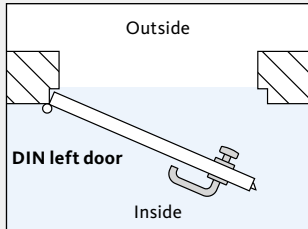
DIN left or DIN right?

The order numbers in the catalogue differ depending on whether the door opens inwards or outwards and to the right or the left.

Door opening outward

<p>Entrance set, right-hand side</p> <p>Inside: Lever handle pointing to the right</p> <p>Outside: Knob pointing to the left</p>			<p>Entrance set, left-hand side</p> <p>Inside: Lever handle pointing to the left</p> <p>Outside: Knob pointing to the right</p>
---	---	--	--

Door opening inward

<p>Entrance set, right-hand side</p> <p>Inside: Lever handle pointing to the right</p> <p>Outside: Knob pointing to the left</p>			<p>Entrance set, left-hand side</p> <p>Inside: Lever handle pointing to the left</p> <p>Outside: Knob pointing to the right</p>
---	---	--	--

Lock and door hardware combinations



Overview of series

Single-leaf doors with standard function



Inside



Outside

RNE 100

Narrow stile doors, standard function, single-leaf

28



Inside



Outside

RNEO 400

Narrow stile doors, standard function, single-leaf with top-locking

32



Inside



Outside

RNE 120

Narrow stile doors, standard function, single-leaf

36



Inside



Outside

RNEO 420

Narrow stile doors, standard function, single-leaf with top-locking

40

Overview of series

Double-leaf doors with standard function



Inside



Outside

RNZA 150

Narrow stile doors, standard function, double-leaf
Automatic locking of passive leaf

44



Inside



Outside

RNZO 150

Narrow stile doors, standard function, double-leaf
Active leaf with top-locking

48



Inside



Outside

RNZA 180

Narrow stile doors, standard function, double-leaf
Automatic locking of passive leaf

52



Inside



Outside

RPE 100

Narrow stile doors, panic function, single-leaf
Electrical safeguarding by means of escape door locking,
centralised control and visualisation

56



Inside



Outside

RPEO 400

Narrow stile doors, panic function, single-leaf
Top-locking
Electrical safeguarding by means of escape door locking,
centralised control and visualisation

60



Inside



Outside

RPES 100

Narrow stile doors, panic function, single-leaf
SECURY multi-point lock
Electrical safeguarding by means of escape door locking,
centralised control and visualisation

64



Inside



Outside

RPE 120

Narrow stile doors, panic function, single-leaf
Electrical safeguarding by means of escape door locking,
centralised control and visualisation

68

Overview of series

Single-leaf doors with panic function to EN 179



Inside



Outside

RPE 210

Narrow stile doors, panic function, single-leaf
Electrical safeguarding by means of escape door locking,
centralised control and visualisation

72



Inside



Outside

RPEO 420

Narrow stile doors, panic function, single-leaf
Top-locking
Electrical safeguarding by means of escape door locking,
centralised control and visualisation

76



Inside



Outside

RPES 120

Narrow stile doors, panic function, single-leaf
SECURY multi-point lock
Electrical safeguarding by means of escape door locking,
centralised control and visualisation

80



Inside



Outside

RPE 105

Narrow stile doors, panic function, single-leaf
Electrical safeguarding by means of escape door locking,
centralised control and visualisation

84



Inside



Outside

RPEO 405

Narrow stile doors, panic function, single-leaf
Top-locking
Electrical safeguarding by means of escape door locking,
centralised control and visualisation

88



Inside



Outside

RPES 105

Narrow stile doors, panic function, single-leaf
SECURY multi-point lock
Electrical safeguarding by means of escape door locking,
centralised control and visualisation

92



Inside



Outside

RPE 125

Narrow stile doors, panic function, single-leaf
Electrical safeguarding by means of escape door locking,
centralised control and visualisation

96

Overview of series

Single-leaf doors with panic function to EN 1125



Inside



Outside

RPEO 425

Narrow stile doors, panic function, single-leaf
Top-locking
Electrical safeguarding by means of escape door locking,
centralised control and visualisation

100



Inside



Outside

RPES 125

Narrow stile doors, panic function, single-leaf
SECURY multi-point lock
Electrical safeguarding by means of escape door locking,
centralised control and visualisation

104



Inside



Outside

RPZA 110

Narrow stile doors, panic function, double-leaf
Automatic locking of passive leaf
Electrical safeguarding by means of escape door locking,
centralised control and visualisation

108



Inside



Outside

RPZA 110-M

Narrow stile doors, panic function, double-leaf
Automatic locking of passive leaf, motor-driven opening
Electrical safeguarding by means of escape door locking,
centralised control and visualisation

112



Inside



Outside

RPZO 110

Narrow stile doors, panic function, double-leaf
Active leaf with top-locking
Electrical safeguarding by means of escape door locking,
centralised control and visualisation

116



Inside



Outside

RPZAS 110

Narrow stile doors, panic function, double-leaf
Automatic locking of passive leaf
SECURY multi-point lock
Electrical safeguarding by means of escape door locking,
centralised control and visualisation

120

Overview of series

Double-leaf doors with panic function to EN 179



Inside



Outside

RPZA 170

Narrow stile doors, panic function, double-leaf
Automatic locking of passive leaf
Electrical safeguarding by means of escape door locking,
centralised control and visualisation

124



Inside



Outside

RPZA 170-M

Narrow stile doors, panic function, double-leaf
Automatic locking of passive leaf, motor-driven opening
Electrical safeguarding by means of escape door locking,
centralised control and visualisation

128



Inside



Outside

RPZO 170

Narrow stile doors, panic function, double-leaf
Active leaf with top-locking
Electrical safeguarding by means of escape door locking,
centralised control and visualisation

132



Inside



Outside

RPZA 210

Narrow stile doors, panic function, double-leaf
Automatic locking of passive leaf
Electrical safeguarding by means of escape door locking,
centralised control and visualisation

136



Inside

Outside

RPZAS 170

Narrow stile doors, panic function, double-leaf

Automatic locking of passive leaf

SECURY multi-point lock

Electrical safeguarding by means of escape door locking, centralised control and visualisation

140

Overview of series

Double-leaf doors with panic function to EN 1125



Inside



Outside

RPZA 115

Narrow stile doors, panic function, double-leaf
Automatic locking of passive leaf
Electrical safeguarding by means of escape door locking,
centralised control and visualisation

144



Inside



Outside

RPZA 115-M

Narrow stile doors, panic function, double-leaf
Automatic locking of passive leaf, motor-driven opening
Electrical safeguarding by means of escape door locking,
centralised control and visualisation

148



Inside



Outside

RPZO 115

Narrow stile doors, panic function, double-leaf
Active leaf with top-locking
Electrical safeguarding by means of escape door locking,
centralised control and visualisation

152



Inside



Outside

RPZAS 115

Narrow stile doors, panic function, double-leaf
Automatic locking of passive leaf
SECURY multi-point lock
Electrical safeguarding by means of escape door locking,
centralised control and visualisation

156



Inside



Outside

RPZA 175

Narrow stile doors, panic function, double-leaf
Automatic locking of passive leaf
Electrical safeguarding by means of escape door locking,
centralised control and visualisation

160



Inside



Outside

RPZA 175-M

Narrow stile doors, panic function, double-leaf
Automatic locking of passive leaf, motor-driven opening
Electrical safeguarding by means of escape door locking,
centralised control and visualisation

164



Inside



Outside

RPZO 175

Narrow stile doors, panic function, double-leaf
Active leaf with top-locking
Electrical safeguarding by means of escape door locking,
centralised control and visualisation

168



Inside



Outside

RPZAS 175

Narrow stile doors, panic function, double-leaf
Automatic locking of passive leaf
SECURY multi-point lock
Electrical safeguarding by means of escape door locking,
centralised control and visualisation

172

Overview of series

Special applications



Special applications

Panic function on the higher-mounted interior lever handle on the passive leaf	176
Panic function on the higher-mounted interior lever handle on the active leaf	177
Escape door locking	178
Kindergarten function	179
Automatic door function	180
Escape door locking – for double-leaf doors	181
Kindergarten function – for double-leaf doors	182
Automatic door function – for double-leaf doors	183



Combination RNE 100

Standard function, single-leaf



Inside



Outside

Functional description

Inside

The door leaf is opened by key and lever handle and locked with the key.

Outside

The door leaf is opened by key and lever handle and locked with the key.

Possible applications

- Suitable for fire and smoke protection doors
- As the lever handle is on the outside, the door can be used as a connecting door from both sides
- Optional combination with electric access control and/or escape door security components (see the following pages)

Recommendation

- Storage rooms
- Basement rooms
- Secondary entrance doors
- Cleaning equipment rooms

Combination RNE 100

Standard function, single-leaf



Active leaf:

- ① = Fire rated door lock
- ② = Striker



Active leaf

No.	Product	Backset [mm]	Faceplate 24 x 3 x 270 mm Non-handed		Additional PC/CH-RC versions see page	
1	1828	35	B-18280-01-U-8		230	
		40	B-18280-02-U-8		230	
		45	B-18280-03-U-8		230	
	1311	Product	Backset [mm]	Faceplate 24 x 3 x 245 mm		Additional PC/CH-RC versions see page
				DIN LH	DIN RH	
				35	B 1311 0053	
40	B 1311 0055	B 1311 0056	210			
45	B 1311 0057	B 1311 0058	210			

Frame

Striker				
No.	Product			See page
2	Flat striker	Non-handed	B-90000-04-0-8	390
	Lipped striker	DIN LH	B-90000-58-L-8	391
		DIN RH	B-90000-58-R-8	

Combination RNE 100

Standard function, single-leaf



Inside



Outside

Active leaf: lever set with rosettes

Order number*

B-72030-□□-0-□

□	Cylinder hole-type – backplate design	□	Lever handle model	□	Finish
0	PC – oval	1	RONDO H1.1	1	Silver/EV1 look
1	PC – square	2	RONDO H1.2	3	PVD brass
2	CH-RC – oval	7	BELCANTO-Panik H3.1	7	Traffic white (RAL 9016)
3	CH-RC – square	8	BELCANTO-Panik H3.2	8	Satin stainless steel
4	Without PC hole – oval	A	OFFICE H4.2		
5	Without PC hole – square	C	LEGATO H5.2		
6	Without key escutcheon – oval	E	TREMOLO H6.2		
7	Without key escutcheon – square	G	DIRIGENT H7.2		

Active leaf: lever set with long backplates

Order number*

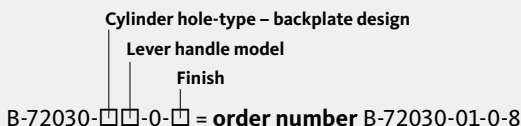
B-72040-□□-0-□

□	Cylinder hole-type – backplate design	□	Lever handle model	□	Finish
4	Without PC hole – round	1	RONDO H1.1	1	Silver/EV1 look
5	Without PC hole – square	2	RONDO H1.2	3	PVD brass
6	PC 92 mm – round	7	BELCANTO-Panik H3.1	7	Traffic white (RAL 9016)
7	PC 92 mm – square	8	BELCANTO-Panik H3.2	8	Satin stainless steel
8	CH-RC 94 mm – round	A	OFFICE H4.2		
9	CH-RC 94 mm – square	C	LEGATO H5.2		
		E	TREMOLO H6.2		
		G	DIRIGENT H7.2		

Accessories: spindles and screws see from page 456 – **more information** about the lever handle sets from page 12

***Ordering example**

Active leaf: lever set with rosettes = B-72030-□□-0-□
 Cylinder hole-type – backplate design = PC – oval = 0 [refer to table]
 Lever handle model = RONDO H1.1 = 1 [refer to table]
 Finish = satin stainless steel = 8 [refer to table]



Combination RNE 100

Standard function, single-leaf



Monitoring contacts

Product	Cylinder cam monitoring	Latch monitoring	Deadbolt monitoring	Follower monitoring	Electrically coupled exterior lever handle	Combinable with electric strike
1828	■	■	■	■	-	■
1311	-	-	■	-	-	■

Door monitoring

No.	Product	Description	See page
1	B 5490 xxxx	Connecting cable for lock monitoring	427
2	6-xxxxx-xx-x-x	Cable link	424
3	B 5469 0010	Door contact	473

Door closers

For detailed order information please refer to our door closer order catalogue.

Combination RNEO 400

Standard function, single-leaf, top-locking



Inside



Outside

Functional description

Inside

The door leaf is opened by key and lever handle.
The spring-operated top latch is retracted by the rod and the door is locked with the key.

Outside

The door leaf is opened by key and lever handle and locked with the key.

Possible applications

- Suitable for fire and smoke protection doors
- As the lever handle is on the outside, the door can be used as a connecting door from both sides
- Suitable for very high entrance doors with a tendency to warp (only by agreement with the door fabricator and in compliance with approvals)
- Enhanced burglar protection and gasket pressure thanks to the additional top-locking
- Optional combination with electric access control and/or escape door security components (see the following pages)

Recommendation

- Storage rooms
- Basement rooms
- Secondary entrance doors
- Cleaning equipment rooms

Combination RNEO 400

Standard function, single-leaf, top-locking



Active leaf:

- ① = Fire rated door lock with top-locking
- ② = Spring-operated top latch
- ③ = Vertical rod
- ④ = Striker



Active leaf

No.	Product	Backset [mm]	Faceplate 24 x 3 x 270 mm Non-handed		Additional PC/CH-RC versions see page	
1	1839	35	B-18390-01-U-8		234	
		40	B-18390-02-U-8		234	
		45	B-18390-03-U-8		234	
2	1795	35, 40, 45	B 1795 0001		381	
3	9006	35, 40, 45	Rod length	1385 mm	B 9006 0022	408
				1500 mm	B 9006 0013	408

Frame

Striker

No.	Product			See page
4	Flat striker	Non-handed	B-90000-04-0-8	390
	Lipped striker	DIN LH	B-90000-58-L-8	391
		DIN RH	B-90000-58-R-8	
	Lipped striker for 1795	Non-handed	B 9000 0567	396

Combination RNEO 400

Standard function, single-leaf, top-locking



Inside



Outside

Active leaf: lever set with rosettes

Order number*

B-72030-□□-0-□

□	Cylinder hole-type – backplate design	□	Lever handle model	□	Finish
0	PC – oval	1	RONDO H1.1	1	Silver/EV1 look
1	PC – square	2	RONDO H1.2	3	PVD brass
2	CH-RC – oval	7	BELCANTO-Panik H3.1	7	Traffic white (RAL 9016)
3	CH-RC – square	8	BELCANTO-Panik H3.2	8	Satin stainless steel
4	Without PC hole – oval	A	OFFICE H4.2		
5	Without PC hole – square	C	LEGATO H5.2		
6	Without key escutcheon – oval	E	TREMOLO H6.2		
7	Without key escutcheon – square	G	DIRIGENT H7.2		

Active leaf: lever set with long backplates

Order number*

B-72040-□□-0-□

□	Cylinder hole-type – backplate design	□	Lever handle model	□	Finish
4	Without PC hole – round	1	RONDO H1.1	1	Silver/EV1 look
5	Without PC hole – square	2	RONDO H1.2	3	PVD brass
6	PC 92 mm – round	7	BELCANTO-Panik H3.1	7	Traffic white (RAL 9016)
7	PC 92 mm – square	8	BELCANTO-Panik H3.2	8	Satin stainless steel
8	CH-RC 94 mm – round	A	OFFICE H4.2		
9	CH-RC 94 mm – square	C	LEGATO H5.2		
		E	TREMOLO H6.2		
		G	DIRIGENT H7.2		

Accessories: spindles and screws see from page 456 – **more information** about the lever handle sets from page 12

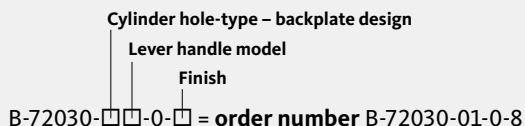
***Ordering example**

Active leaf: lever set with rosettes = B-72030-□□-0-□

Cylinder hole-type – backplate design = PC – oval = 0 [refer to table]

Lever handle model = RONDO H1.1 = 1 [refer to table]

Finish = 8 = satin stainless steel [refer to table]



Combination RNEO 400

Standard function, single-leaf, top-locking



Monitoring contacts

Product	Cylinder cam monitoring	Latch monitoring	Deadbolt monitoring	Follower monitoring	Electrically coupled exterior lever handle	Combinable with electric strike
1839	■	■	■	■	-	■

Door monitoring

No.	Product	Description	See page
1	B 5490 xxxx	Connecting cable for lock monitoring	427
2	6-xxxxx-xx-x-x	Cable link	424
3	B 5469 0010	Door contact	473

Door closers

For detailed order information please refer to our door closer order catalogue.

Combination RNE 120

Standard function, single-leaf



Inside



Outside

Functional description

Inside

The door leaf is opened by key and lever handle and locked with the key.

Outside

The door leaf is opened by key and lever handle.
The door is locked with the key.

Possible applications

- Suitable for fire and smoke protection doors
- As the fixed knob or push/pull handle is on the outside, access from the outside is only possible using the key
- Optional combination with electric access control and/or escape door security components (see the following pages)

Recommendation

- Doors on transformer stations and boiler rooms
- Lift
- Underground car parks
- Entrance doors for warehouses and office buildings
- Storage rooms
- Basement rooms

Combination RNE 120

Standard function, single-leaf



Active leaf:

- 1 = Fire rated door lock
- 2 = Striker



Active leaf							
No.	Product	Backset [mm]	Faceplate 24 x 3 x 270 mm Non-handed		Additional PC/CH-RC versions see page		
1	1828	35	B-18280-01-U-8		230		
		40	B-18280-02-U-8		230		
		45	B-18280-03-U-8		230		
	1311	Product	Backset [mm]	Faceplate 24 x 3 x 245 mm		Additional PC/CH-RC versions see page	
				DIN LH			DIN RH
				35	B 1311 0053		B 1311 0054
		40	B 1311 0055	B 1311 0056	210		
		45	B 1311 0057	B 1311 0058	210		

Frame				
Striker				
No.	Product			See page
2	Flat striker	Non-handed	B-90000-04-0-8	390
	Lipped striker	DIN LH	B-90000-58-L-8	391
		DIN RH	B-90000-58-R-8	

Combination RNE 120

Standard function, single-leaf



Inside



Outside

Active leaf: entrance set with rosettes

Order number*		Knob			
B-72330-□□-0-□		Round knob K1.1			
B-72530-□□-0-□		Ball knob K2.1			
□	Cylinder hole-type – backplate design	□	Lever handle model	□	Finish
0	PC – oval	1	RONDO H1.1	1	Silver/EV1 look
1	PC – square	2	RONDO H1.2	3	PVD brass
2	CH-RC – oval	7	BELCANTO-Panik H3.1	7	Traffic white (RAL 9016)
3	CH-RC – square	8	BELCANTO-Panik H3.2	8	Satin stainless steel
4	Without PC hole – oval	A	OFFICE H4.2		
5	Without PC hole – square	C	LEGATO H5.2		
6	Without key escutcheon – oval	E	TREMOLO H6.2		
7	Without key escutcheon – square	G	DIRIGENT H7.2		

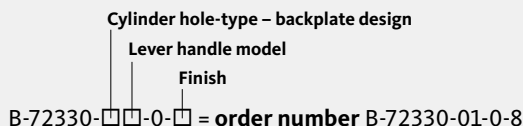
Active leaf: entrance set with long backplates

Order number*		Knob			
B-72340-□□-0-□		Round knob K1.1			
B-72540-□□-0-□		Ball knob K2.1			
□	Cylinder hole-type – backplate design	□	Lever handle model	□	Finish
4	Without PC hole – round	1	RONDO H1.1	1	Silver/EV1 look
5	Without PC hole – square	2	RONDO H1.2	3	PVD brass
6	PC 92 mm – round	7	BELCANTO-Panik H3.1	7	Traffic white (RAL 9016)
7	PC 92 mm – square	8	BELCANTO-Panik H3.2	8	Satin stainless steel
8	CH-RC 94 mm – round	A	OFFICE H4.2		
9	CH-RC 94 mm – square	C	LEGATO H5.2		
		E	TREMOLO H6.2		
		G	DIRIGENT H7.2		

Accessories: spindles and screws see from page 456 – **more information** about the lever handle sets from page 12

***Ordering example**

Active leaf: entrance set with rosettes = B-72330-□□-0-□
 Cylinder hole-type – backplate design = PC – oval = 0 [refer to table]
 Lever handle model = RONDO H1.1 = 1 [refer to table]
 Finish = 8 = satin stainless steel [refer to table]



Combination RNE 120

Standard function, single-leaf



Monitoring contacts

Product	Cylinder cam monitoring	Latch monitoring	Deadbolt monitoring	Follower monitoring	Electrically coupled exterior lever handle	Combinable with electric strike
1828	■	■	■	■	-	■
1311	-	-	■	-	-	■

Door monitoring

No.	Product	Description	See page
1	B 5490 xxxx	Connecting cable for lock monitoring	427
2	6-xxxxx-xx-x-x	Cable link	424
3	B 5469 0010	Door contact	473

Door closers

For detailed order information please refer to our door closer order catalogue.

Combination RNEO 420

Standard function, single-leaf, top-locking



Inside



Outside

Functional description

Inside

The door leaf is opened by key and lever handle.
The spring-operated top latch is retracted by the rod and the door is locked with the key.

Outside

The door leaf is opened by key and lever handle.
The door is locked with the key.

Possible applications

- Suitable for fire and smoke protection doors
- As the fixed knob or push/pull handle is on the outside, access from the outside is only possible using the key
- Suitable for very high entrance doors with a tendency to warp (only by agreement with the door fabricator and in compliance with approvals)
- Enhanced burglar protection and gasket pressure thanks to the additional top-locking
- Optional combination with electric access control and/or escape door security components (see the following pages)

Recommendation

- Doors on transformer stations and boiler rooms
- Lift
- Underground car parks
- Entrance doors for warehouses and office buildings
- Basement rooms
- Cleaning equipment rooms

Combination RNEO 420

Standard function, single-leaf, top-locking



Active leaf:

- ① = Fire rated door lock with top-locking
- ② = Spring-operated top latch
- ③ = Vertical rod
- ④ = Striker



Active leaf						
No.	Product	Backset [mm]	Faceplate 24 x 3 x 270 mm Non-handed			Additional PC/CH-RC versions see page
1	1839	35	B-18390-01-U-8			234
		40	B-18390-02-U-8			234
		45	B-18390-03-U-8			234
2	1795	35, 40, 45	B 1795 0001			381
3	9006	35, 40, 45	Rod length	1385 mm	B 9006 0022	408
				1500 mm	B 9006 0013	408

Frame				
Striker				
No.	Product			See page
4	Flat striker	Non-handed	B-90000-04-0-8	390
	Lipped striker	DIN LH	B-90000-58-L-8	391
		DIN RH	B-90000-58-R-8	
	Lipped striker for 1795	Non-handed	B 9000 0567	396

Combination RNEO 420

Standard function, single-leaf, top-locking



Inside



Outside

Active leaf: entrance set with rosettes

Order number*		Knob			
B-72330-□□-0-□		Round knob K1.1			
B-72530-□□-0-□		Ball knob K2.1			
□	Cylinder hole-type – backplate design	□	Lever handle model	□	Finish
0	PC – oval	1	RONDO H1.1	1	Silver/EV1 look
1	PC – square	2	RONDO H1.2	3	PVD brass
2	CH-RC – oval	7	BELCANTO-Panik H3.1	7	Traffic white (RAL 9016)
3	CH-RC – square	8	BELCANTO-Panik H3.2	8	Satin stainless steel
4	Without PC hole – oval	A	OFFICE H4.2		
5	Without PC hole – square	C	LEGATO H5.2		
6	Without key escutcheon – oval	E	TREMOLO H6.2		
7	Without key escutcheon – square	G	DIRIGENT H7.2		

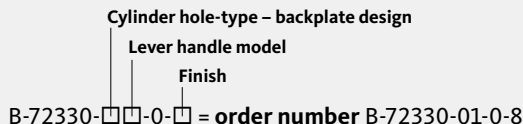
Active leaf: entrance set with long backplates

Order number*		Knob			
B-72340-□□-0-□		Round knob K1.1			
B-72540-□□-0-□		Ball knob K2.1			
□	Cylinder hole-type – backplate design	□	Lever handle model	□	Finish
4	Without PC hole – round	1	RONDO H1.1	1	Silver/EV1 look
5	Without PC hole – square	2	RONDO H1.2	3	PVD brass
6	PC 92 mm – round	7	BELCANTO-Panik H3.1	7	Traffic white (RAL 9016)
7	PC 92 mm – square	8	BELCANTO-Panik H3.2	8	Satin stainless steel
8	CH-RC 94 mm – round	A	OFFICE H4.2		
9	CH-RC 94 mm – square	C	LEGATO H5.2		
		E	TREMOLO H6.2		
		G	DIRIGENT H7.2		

Accessories: spindles and screws see from page 456 – more information about the lever handle sets from page 12

***Ordering example**

Active leaf: entrance set with rosettes = B-72330-□□-0-□
 Cylinder hole-type – backplate design = PC – oval = 0 [refer to table]
 Lever handle model = RONDO H1.1 = 1 [refer to table]
 Finish = 8 = satin stainless steel [refer to table]



Combination RNEO 420

Standard function, single-leaf, top-locking



Monitoring contacts

Product	Cylinder cam monitoring	Latch monitoring	Deadbolt monitoring	Follower monitoring	Electrically coupled exterior lever handle	Combinable with electric strike
1839	■	■	■	■	-	■

Door monitoring

No.	Product	Description	See page
1	B 5490 xxxx	Connecting cable for lock monitoring	427
2	6-xxxxx-xx-x-x	Cable link	424
3	B 5469 0010	Door contact	473

Door closers

For detailed order information please refer to our door closer order catalogue.

Combination RNZA 150

Standard function, double-leaf, automatic locking of passive leaf



Inside



Outside

Functional description

Active leaf

Inside

The active leaf is opened with the key and lever handle and locked with the key.

Outside

The active leaf is opened with the key and lever handle and locked with the key.

Passive leaf

Inside

The passive leaf can only be unlocked when the active leaf is open. By operating the lever integrated in the faceplate of the lever-operated shoot-bolt lock, the vertical rod is retracted manually into the door leaf. The vertical rod is then engaged to prevent it from extending. Upon closing, the passive leaf is locked automatically via the vertical rod. The closing sequence of the door is controlled by the door-leaf coordinator integrated in the door closer.

Possible applications

- Suitable for fire and smoke protection doors
- As the lever handle is on the outside, the door can be used as a connecting door from both sides
- The passive leaf is only operated via the lever-operated shoot-bolt lock if required
- Optional combination with electric access control and/or escape door security components (see the following pages)

Recommendation

- Storage rooms
- Administrative areas

Combination RNZA 150

Standard function, double-leaf, automatic locking of passive leaf



Active leaf:

① = Fire rated door lock



Passive leaf:

- ② = Lever-operated shoot-bolt lock
- ③ = Passive-leaf control lock
- ④ = Vertical rod
- ⑤ = Solid vertical rod
- ⑥ = Striker
- ⑦ = Floor striker
- ⑧ = Guide plate for vertical rod

Active leaf

No.	Product	Backset [mm]	Faceplate 24 x 3 x 270 mm Non-handed	Additional PC/CH-RC versions see page			
1	1828	35	B-18280-01-U-8	230			
		40	B-18280-02-U-8	230			
		45	B-18280-03-U-8	230			
	1311	Product	Backset [mm]	Faceplate 24 x 3 x 245 mm DIN LH	DIN RH	Additional PC/CH-RC versions see page	
				35	B 1311 0053	B 1311 0054	210
				40	B 1311 0055	B 1311 0056	210
		45	B 1311 0057	B 1311 0058	210		

Passive leaf

No.	Product	Backset [mm]	Faceplate 24 x 3 x 235 mm	Additional versions see page		
2	1899	35	B 1899 0203	384		
		40	B 1899 0204	384		
		45	B 1899 0205	384		
3	1895	30-45	B 1895 0003	382		
4	9006	With end plug	B 9006 0013	408		
5	9006	Solid	B 9006 0004	408		
6	9000	For 1828	Flat striker	Non-handed	B-90000-04-0-8	390
			Lipped striker	DIN LH	B-90000-58-L-8	391
		DIN RH		B-90000-58-R-8		
		For 1895	Lipped striker	Non-handed	B 9000 0490	396
7	9009/B-0028	-	B 9009 0001 or B-00280-20-0-8	410		
8	9019	-	B 9019 0001	411		

Combination RNZA 150

Standard function, double-leaf, automatic locking of passive leaf



Inside



Outside

Active leaf: lever set with rosettes

Order number*

B-72030-□□-0-□

□	Cylinder hole-type – backplate design	□	Lever handle model	□	Finish
0	PC – oval	1	RONDO H1.1	1	Silver/EV1 look
1	PC – square	2	RONDO H1.2	3	PVD brass
2	CH-RC – oval	7	BELCANTO-Panik H3.1	7	Traffic white (RAL 9016)
3	CH-RC – square	8	BELCANTO-Panik H3.2	8	Satin stainless steel
4	Without PC hole – oval	A	OFFICE H4.2		
5	Without PC hole – square	C	LEGATO H5.2		
6	Without key escutcheon – oval	E	TREMOLO H6.2		
7	Without key escutcheon – square	G	DIRIGENT H7.2		

Active leaf: lever set with long backplates

Order number*

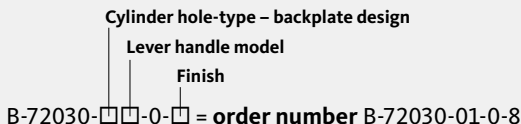
B-72040-□□-0-□

□	Cylinder hole-type – backplate design	□	Lever handle model	□	Finish
4	Without PC hole – round	1	RONDO H1.1	1	Silver/EV1 look
5	Without PC hole – square	2	RONDO H1.2	3	PVD brass
6	PC 92 mm – round	7	BELCANTO-Panik H3.1	7	Traffic white (RAL 9016)
7	PC 92 mm – square	8	BELCANTO-Panik H3.2	8	Satin stainless steel
8	CH-RC 94 mm – round	A	OFFICE H4.2		
9	CH-RC 94 mm – square	C	LEGATO H5.2		
		E	TREMOLO H6.2		
		G	DIRIGENT H7.2		

Accessories: spindles and screws see from page 456 – **more information** about the lever handle sets from page 12

***Ordering example**

Active leaf: lever set with rosettes = B-72030-□□-0-□
 Cylinder hole-type – backplate design = PC – oval = 0 [refer to table]
 Lever handle model = RONDO H1.1 = 1 [refer to table]
 Finish = 8 = satin stainless steel [refer to table]



Combination RNZA 150

Standard function, double-leaf, automatic locking of passive leaf



Monitoring contacts

Product	Cylinder cam monitoring	Latch monitoring	Deadbolt monitoring	Follower monitoring	Electrically coupled exterior lever handle	Combinable with electric strike
1828	■	■	■	■	-	■
1311	-	-	■	-	-	■

Door monitoring

No.	Product	Description	See page
1	B 5490 xxxx	Connecting cable for lock monitoring	427
2	6-xxxxx-xx-x-x	Cable link	424
3	B 5469 0010	Door contact	473

Door closer/carrier bar

For detailed order information please refer to our door closer order catalogue.

Combination RNZO 150

Standard function, double-leaf, active leaf with top-locking



Inside



Outside



Functional description

Active leaf

Inside

The active leaf is opened by key and lever handle; the spring-operated top latch is retracted by the rod; the door is locked with the key.

Outside

The active leaf is opened with the key and lever handle and locked with the key.

Passive leaf

Inside

The passive leaf can only be unlocked when the active leaf is open. By operating the lever integrated in the faceplate of the lever-operated shoot-bolt lock, the vertical rod is retracted manually into the door leaf. The vertical rod is then engaged to prevent it from extending. Upon closing, the passive leaf is locked automatically via the vertical rod. The closing sequence of the door is controlled by the door-leaf coordinator integrated in the door closer.

Possible applications

- Suitable for fire and smoke protection doors
- As the lever handle is on the outside, the door can be used as a connecting door from both sides
- Suitable for very high entrance doors with a tendency to warp (only by agreement with the door fabricator and in compliance with approvals)
- Enhanced burglar protection and gasket pressure thanks to the additional top-locking
- The passive leaf is only operated via the lever-operated shoot-bolt lock if required
- Optional combination with electric access control and/or escape door security components (see the following pages)

Recommendation

- Storage rooms
- Administrative areas

Combination RNZO 150

Standard function, double-leaf, active leaf with top-locking



Active leaf:

- 1 = Fire rated door lock with top-locking
- 2 = Spring-operated top latch
- 3 = Vertical rod
- 8 = Striker



Passive leaf:

- 4 = Lever-operated shoot-bolt lock
- 5 = Passive-leaf control lock
- 6 = Vertical rod
- 7 = Solid vertical rod
- 8 = Striker
- 9 = Floor striker
- 10 = Guide plate for vertical rod

Active leaf

No.	Product	Backset [mm]	Faceplate 24 x 3 x 270 mm Non-handed			Additional PC/CH-RC versions see page
1	1839	35	B-18390-01-U-8			234
		40	B-18390-02-U-8			234
		45	B-18390-03-U-8			234
2	1795	35, 40, 45	B 1795 0001			381
3	9006	35, 40, 45	Rod length	1385 mm	B 9006 0022	408
				1500 mm	B 9006 0013	408

Passive leaf

No.	Product	Backset [mm]	Faceplate 24 x 3 x 235 mm			Additional versions see page
4	1899	35	B 1899 0203			384
		40	B 1899 0204			384
		45	B 1899 0205			384
5	1895	30-45	B 1895 0003			382
6	9006	With end plug	B 9006 0013			408
7	9006	Solid	B 9006 0004			408
8	9000	For 1839	Flat striker	Non-handed	B-90000-04-0-8	390
			Lipped striker	DIN LH	B-90000-58-L-8	391
		DIN RH		B-90000-58-R-8		
		For 1895/1795	Lipped striker	Non-handed	B 9000 0490 and B 9000 0567	
9	9009/B-0028	-	B 9009 0001 or B-00280-20-0-8			410
10	9019	-	B 9019 0001			411

Combination RNZO 150

Standard function, double-leaf, active leaf with top-locking



Inside



Outside

Active leaf: lever set with rosettes

Order number*

B-72030-□□-0-□

□	Cylinder hole-type – backplate design	□	Lever handle model	□	Finish
0	PC – oval	1	RONDO H1.1	1	Silver/EV1 look
1	PC – square	2	RONDO H1.2	3	PVD brass
2	CH-RC – oval	7	BELCANTO-Panik H3.1	7	Traffic white (RAL 9016)
3	CH-RC – square	8	BELCANTO-Panik H3.2	8	Satin stainless steel
4	Without PC hole – oval	A	OFFICE H4.2		
5	Without PC hole – square	C	LEGATO H5.2		
6	Without key escutcheon – oval	E	TREMOLO H6.2		
7	Without key escutcheon – square	G	DIRIGENT H7.2		

Active leaf: lever set with long backplates

Order number*

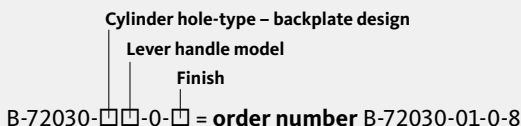
B-72040-□□-0-□

□	Cylinder hole-type – backplate design	□	Lever handle model	□	Finish
4	Without PC hole – round	1	RONDO H1.1	1	Silver/EV1 look
5	Without PC hole – square	2	RONDO H1.2	3	PVD brass
6	PC 92 mm – round	7	BELCANTO-Panik H3.1	7	Traffic white (RAL 9016)
7	PC 92 mm – square	8	BELCANTO-Panik H3.2	8	Satin stainless steel
8	CH-RC 94 mm – round	A	OFFICE H4.2		
9	CH-RC 94 mm – square	C	LEGATO H5.2		
		E	TREMOLO H6.2		
		G	DIRIGENT H7.2		

Accessories: spindles and screws see from page 456 – **more information** about the lever handle sets from page 12

***Ordering example**

Active leaf: lever set with rosettes = B-72030-□□-0-□
 Cylinder hole-type – backplate design = PC – oval = 0 [refer to table]
 Lever handle model = RONDO H1.1 = 1 [refer to table]
 Finish = 8 = satin stainless steel [refer to table]



Combination RNZO 150

Standard function, double-leaf, active leaf with top-locking



Monitoring contacts

Product	Cylinder cam monitoring	Latch monitoring	Deadbolt monitoring	Follower monitoring	Electrically coupled exterior lever handle	Combinable with electric strike
1839	■	■	■	■	-	■

Door monitoring

No.	Product	Description	See page
1	B 5490 xxxx	Connecting cable for lock monitoring	427
2	6-xxxxx-xx-x-x	Cable link	424
3	B 5469 0010	Door contact	473

Door closer/carrier bar

For detailed order information please refer to our door closer order catalogue.

Combination RNZA 180

Standard function, double-leaf, automatic locking of passive leaf



Inside



Outside

Functional description

Active leaf

Inside

The active leaf is opened with the key and lever handle and locked with the key.

Outside

The active leaf can only be opened with the key and is locked with the key.

Passive leaf

Inside

The passive leaf can only be unlocked when the active leaf is open. By operating the lever integrated in the faceplate of the lever-operated shoot-bolt lock, the vertical rod is retracted manually into the door leaf. The vertical rod is then engaged to prevent it from extending. Upon closing, the passive leaf is locked automatically via the vertical rod. The closing sequence of the door is controlled by the door-leaf coordinator integrated in the door closer.

Possible applications

- Suitable for fire and smoke protection doors
- As the fixed knob or push/pull handle is on the outside, access from the outside is only possible using the key
- The passive leaf is only operated via the lever-operated shoot-bolt lock if required
- Optional combination with electric access control and/or escape door security components (see the following pages)

Recommendation

- Storage rooms
- Administrative areas

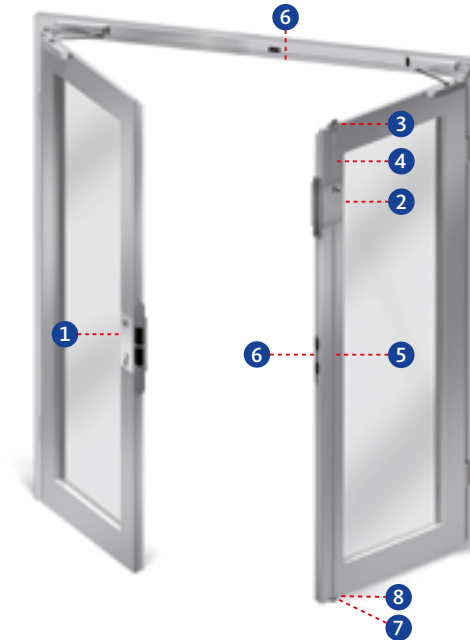
Combination RNZA 180

Standard function, double-leaf, automatic locking of passive leaf



Active leaf:

① = Fire rated door lock



Passive leaf:

② = Lever-operated shoot-bolt lock

③ = Passive-leaf control lock

④ = Vertical rod

⑤ = Solid vertical rod

⑥ = Striker

⑦ = Floor striker

⑧ = Guide plate for vertical rod

Active leaf

No.	Product	Backset [mm]	Faceplate 24 x 3 x 270 mm Non-handed	Additional PC/CH-RC versions see page			
1	1828	35	B-18280-01-U-8	230			
		40	B-18280-02-U-8	230			
		45	B-18280-03-U-8	230			
	1311	Product	Backset [mm]	Faceplate 24 x 3 x 245 mm DIN LH	DIN RH	Additional PC/CH-RC versions see page	
				35	B 1311 0053	B 1311 0054	210
				40	B 1311 0055	B 1311 0056	210
		45	B 1311 0057	B 1311 0058	210		

Passive leaf

No.	Product	Backset [mm]	Faceplate 24 x 3 x 235 mm	Additional versions see page		
2	1899	35	B 1899 0203	384		
		40	B 1899 0204	384		
		45	B 1899 0205	384		
3	1895	30-45	B 1895 0003	382		
4	9006	With end plug	B 9006 0013	408		
5	9006	Solid	B 9006 0004	408		
6	9000	For 1828	Flat striker	Non-handed	B-90000-04-0-8	390
			Lipped striker	DIN LH	B-90000-58-L-8	391
		For 1895		Lipped striker	DIN RH	
						Non-handed
7	9009/B-0028	-	B 9009 0001 or B-00280-20-0-8	410		
8	9019	-	B 9019 0001	411		

Combination RNZA 180

Standard function, double-leaf, automatic locking of passive leaf



Active leaf: entrance set with rosettes

Order number*		Knob			
B-72330-□□-0-□		Round knob K1.1			
B-72530-□□-0-□		Ball knob K2.1			
□	Cylinder hole-type – backplate design	□	Lever handle model	□	Finish
0	PC – oval	1	RONDO H1.1	1	Silver/EV1 look
1	PC – square	2	RONDO H1.2	3	PVD brass
2	CH-RC – oval	7	BELCANTO-Panik H3.1	7	Traffic white (RAL 9016)
3	CH-RC – square	8	BELCANTO-Panik H3.2	8	Satin stainless steel
4	Without PC hole – oval	A	OFFICE H4.2		
5	Without PC hole – square	C	LEGATO H5.2		
6	Without key escutcheon – oval	E	TREMOLO H6.2		
7	Without key escutcheon – square	G	DIRIGENT H7.2		

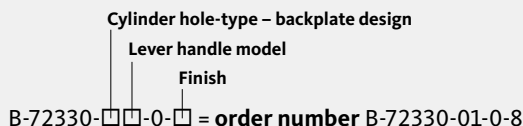
Active leaf: entrance set with long backplates

Order number*		Knob			
B-72340-□□-0-□		Round knob K1.1			
B-72540-□□-0-□		Ball knob K2.1			
□	Cylinder hole-type – backplate design	□	Lever handle model	□	Finish
4	Without PC hole – round	1	RONDO H1.1	1	Silver/EV1 look
5	Without PC hole – square	2	RONDO H1.2	3	PVD brass
6	PC 92 mm – round	7	BELCANTO-Panik H3.1	7	Traffic white (RAL 9016)
7	PC 92 mm – square	8	BELCANTO-Panik H3.2	8	Satin stainless steel
8	CH-RC 94 mm – round	A	OFFICE H4.2		
9	CH-RC 94 mm – square	C	LEGATO H5.2		
		E	TREMOLO H6.2		
		G	DIRIGENT H7.2		

Accessories: spindles and screws see from page 456 – **more information** about the lever handle sets from page 12

***Ordering example**

Active leaf: entrance set with rosettes = B-72330-□□-0-□
 Cylinder hole-type – backplate design = PC – oval = 0 [refer to table]
 Lever handle model = RONDO H1.1 = 1 [refer to table]
 Finish = 8 = satin stainless steel [refer to table]



Combination RNZA 180

Standard function, double-leaf, automatic locking of passive leaf



Monitoring contacts

Product	Cylinder cam monitoring	Latch monitoring	Deadbolt monitoring	Follower monitoring	Electrically coupled exterior lever handle	Combinable with electric strike
1828	■	■	■	■	-	■
1311	-	-	■	-	-	■

Door monitoring

No.	Product	Description	See page
1	B 5490 xxxx	Connecting cable for lock monitoring	427
2	6-xxxxx-xx-x-x	Cable link	424
3	B 5469 0010	Door contact	473

Door closer/carrier bar

For detailed order information please refer to our door closer order catalogue.

Combination RPE 100

Panic function, single-leaf



Inside



Outside



Functional description

Inside

The door can be opened by the lever handle at any time (panic function). With series 18, the door is locked with the key. With series 19, the door locks automatically without a key.

- Panic function B
- Panic function C
- Panic function D (not with series 19)

Outside

The door leaf is opened using the key and lever handle. With series 18, the door is locked with the key. With series 19, the door locks automatically without a key.

Possible applications

- Emergency exits to EN 179 in areas not accessible to the public
- Suitable for fire and smoke protection doors
- As the lever handle is on the outside, the door can be used as a connecting door from both sides depending on the particular panic function
- Optional combination with electric access control and/or escape door security components (see the following pages)

Recommendation

- Hallway doors in office buildings
- Homes for the elderly
- Secondary entrance doors
- Secondary entrance doors in kindergartens, schools and hotels

Combination RPE 100

Panic function, single-leaf



Active leaf:

- ① = Panic lock
- ② = Striker



Active leaf

No.	Product	Backset [mm]	Panic function B Faceplate 24 x 3 x 270 mm Non-handed	Panic function C Faceplate 24 x 3 x 270 mm Non-handed	Panic function D Faceplate 24 x 3 x 270 mm Non-handed	Additional PC/CH-RC versions see page		
1	1820 B 1822 C 1824 D	35	B-18200-01-L-8	B-18220-01-L-8	B-18240-01-L-8	240 / 244 / 248		
		40	B-18200-02-L-8	B-18220-02-L-8	B-18240-02-L-8	240 / 244 / 248		
		45	B-18200-03-L-8	B-18220-03-L-8	B-18240-03-L-8	240 / 244 / 248		
	Product	Backset [mm]	Latch lever function Faceplate 24 x 3 x 270 mm Non-handed		U-faceplate 24 x 6 x 2 x 268 mm Non-handed		Additional PC/CH-RC versions see page	
			1970 Electrically coupled	35	B-19700-00-U-8	B-19700-11-U-8		338
				40	B-19700-02-U-8	B-19700-13-U-8		338
	45	B-19700-04-U-8		B-19700-14-U-8		338		
	Product	Backset [mm]	Panic function B Faceplate 24 x 3 x 270 mm Non-handed		U-faceplate 24 x 6 x 2 x 268 mm Non-handed	Panic function C Faceplate 24 x 3 x 270 mm Non-handed	Additional PC/CH-RC versions see page	
			1910 Self-locking	35	B-19100-00-U-8	B-19100-10-U-8	-	318
				40	B-19100-01-U-8	B-19100-11-U-8	-	318
	45	B-19100-02-U-8		B-19100-12-U-8	-	318		
	Product	Backset [mm]	-		-	B-19120-00-U-8	322	
1912 Self-locking			35	-	-	B-19120-01-U-8	322	
			45	-	-	B-19120-02-U-8	322	

Frame

Striker						
No.	Product			See page	Product	See page
2	Flat striker	Non-handed	B-90000-04-0-8 (series 18)	390	B-90000-00-0-8 (series 19)	390
		DIN LH	B-90000-58-L-8	391	B-90000-52-L-8	392
	DIN RH	B-90000-58-R-8	B-90000-52-R-8			

Combination RPE 100

Panic function, single-leaf



Inside



Outside

Active leaf: lever set with rosettes

Order number*

B-72030-□□-0-□

□	Cylinder hole-type – backplate design	□	Lever handle model	□	Finish
0	PC – oval	1	RONDO H1.1	1	Silver/EV1 look
1	PC – square	2	RONDO H1.2	3	PVD brass
2	CH-RC – oval	7	BELCANTO-Panik H3.1	7	Traffic white (RAL 9016)
3	CH-RC – square	8	BELCANTO-Panik H3.2	8	Satin stainless steel
4	Without PC hole – oval	A	OFFICE H4.2		
5	Without PC hole – square	C	LEGATO H5.2		
6	Without key escutcheon – oval	E	TREMOLO H6.2		
7	Without key escutcheon – square	G	DIRIGENT H7.2		

Active leaf: lever set with long backplates

Order number*

B-72040-□□-0-□

□	Cylinder hole-type – backplate design	□	Lever handle model	□	Finish
4	Without PC hole – round	1	RONDO H1.1	1	Silver/EV1 look
5	Without PC hole – square	2	RONDO H1.2	3	PVD brass
6	PC 92 mm – round	7	BELCANTO-Panik H3.1	7	Traffic white (RAL 9016)
7	PC 92 mm – square	8	BELCANTO-Panik H3.2	8	Satin stainless steel
8	CH-RC 94 mm – round	A	OFFICE H4.2		
9	CH-RC 94 mm – square	C	LEGATO H5.2		
		E	TREMOLO H6.2		
		G	DIRIGENT H7.2		

Accessories: spindles and screws see from page 456 – **more information** about the lever handle sets from page 12

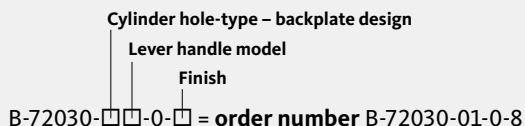
***Ordering example**

Active leaf: lever set with rosettes = B-72030-□□-0-□

Cylinder hole-type – backplate design = PC – oval = 0 [refer to table]

Lever handle model = RONDO H1.1 = 1 [refer to table]

Finish = 8 = satin stainless steel [refer to table]



Combination RPE 100

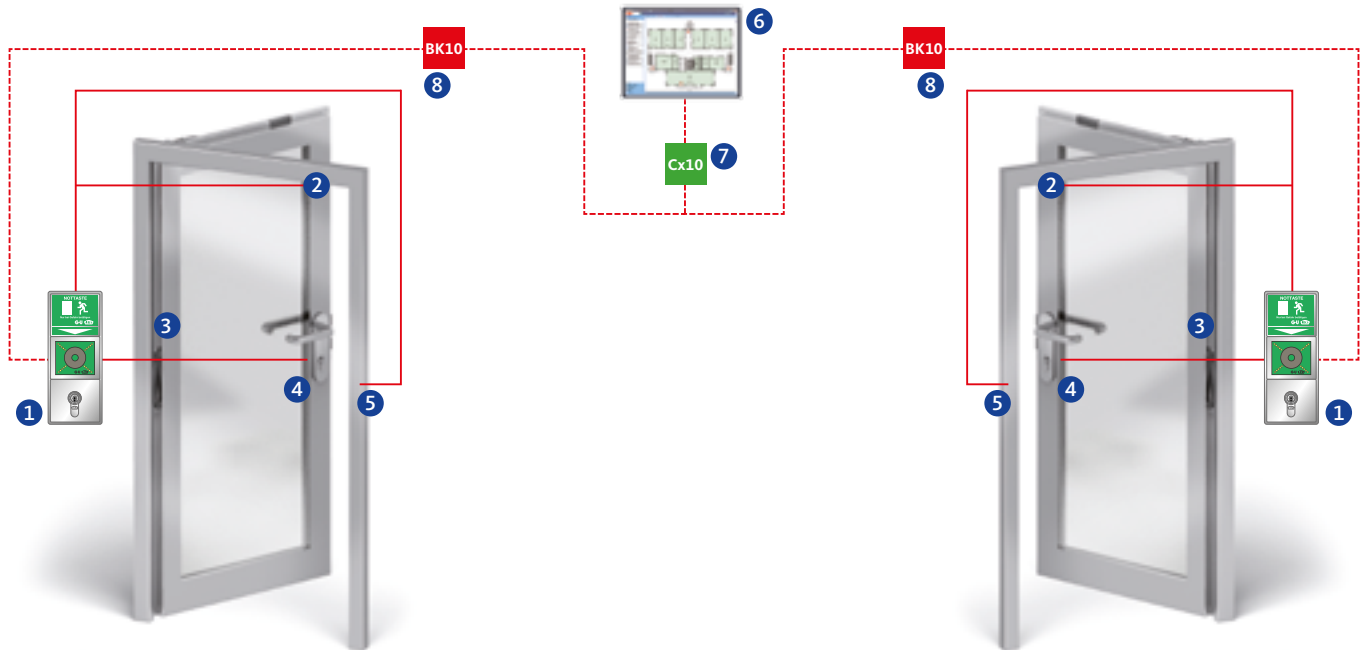
Panic function, single-leaf



Escape door locking

Centralised control and visualisation

Escape door locking



Monitoring contacts

Product	Cylinder cam monitoring	Latch monitoring	Deadbolt monitoring	Follower monitoring	Electrically coupled exterior lever handle	Combinable with electric strike
1820 / 1822 / 1824	■	■	■	■	-	■
1910	■	■	-	■	-	-
1912	■	■	-	■	-	-
1970	Including	Including	-	Including	■	-
1920 EVP	■	-	-	-	-	-

Escape door locking

No.	Product	Description	See page
1	B 5580 09xx	Escape door terminal set with integral power supply unit	462
2	B 5469 0010	Door contact	473
3	6-xxxxx-xx-x-x	Cable link	424
4	B 5490 xxxx	Connecting cable for electrically coupled lock or lock monitoring	427
5	B 5465 040x	Electric escape door strike	470

Centralised control and visualisation

No.	Product	Description	See page
6	B 5580 0521	BKS-NET system software Online visualisation module OV10 (licence)	475
7	B 5580 0421	CU10 building bus coupler (USB interface)	477
8	B 5580 0411	BK10 in-wall bus coupler (without frame/cover)	477

Door closers

For detailed order information please refer to our door closer order catalogue.

Combination RPEO 400

Panic function, single-leaf, top-locking



Inside



Outside

Functional description

Inside

The door can be opened by the lever handle at any time (panic function). With series 18, the door is locked with the key. With series 19, the door locks automatically without a key.

- Panic function B
- Panic function C
- Panic function D (not with series 19)

Outside

The door leaf is opened using the key and lever handle. With series 18, the door is locked with the key. With series 19, the door locks automatically without a key.

Possible applications

- Emergency exits to EN 179 in areas not accessible to the public
- Suitable for fire and smoke protection doors
- As the lever handle is on the outside, the door can be used as a connecting door from both sides depending on the particular panic function
- Suitable for very high entrance doors with a tendency to warp (only by agreement with the door fabricator and in compliance with approvals)
- Enhanced burglar protection and gasket pressure thanks to the additional top-locking
- Optional combination with electric access control and/or escape door security components (see the following pages)

Recommendation

- Hallway doors in office buildings
- Homes for the elderly
- Service doors
- Secondary entrance doors in kindergartens, schools and hotels

Combination RPEO 400

Panic function, single-leaf, top-locking



Active leaf:

- ① = Panic lock with top-locking
- ② = Spring-operated top latch
- ③ = Vertical top rod
- ④ = Striker



Active leaf									
No.	Product	Backset [mm]	Panic function B Faceplate 24 x 3 x 270 mm Non-handed		Panic function C Faceplate 24 x 3 x 270 mm (320 mm) Non-handed		Panic function D Faceplate 24 x 3 x 270 mm Non-handed	Additional PC/CH-RC versions see page	
1	1830 B 1832 C 1834 D	35	B-18300-01-L-8		B-18320-01-L-8		B-18340-01-L-8	256 / 260 / 264	
		40	B-18300-02-L-8		B-18320-02-L-8		B-18340-02-L-8	256 / 260 / 264	
		45	B-18300-03-L-8		B-18320-03-L-8		B-18340-03-L-8	256 / 260 / 264	
	Product	Backset [mm]	Latch lever function Faceplate 24 x 3 x 320 mm Non-handed		U-faceplate 24 x 6 x 2 x 318 mm Non-handed			Additional PC/CH-RC versions see page	
	1980 Electrically coupled	35	B-19800-00-U-8		B-19800-06-U-8			342	
		40	B-19800-02-U-8		-			342	
		45	B-19800-03-U-8		-			342	
	Product	Backset [mm]	Panic function B Faceplate 24 x 3 x 270 mm Non-handed		Panic function C Faceplate 24 x 3 x 270 mm Non-handed		U-faceplate 24 x 6 x 2 x 268 mm Non-handed		Additional PC/CH-RC versions see page
	1900 B 1902 C Self-locking	35	B-19000-00-U-8		B-19000-06-U-8		B-19020-00-U-8		306 / 310
		40	B-19000-01-U-8		B-19000-07-U-8		B-19020-01-U-8		306 / 310
45		B-19000-02-U-8		B-19000-08-U-8		B-19020-02-U-8		306 / 310	
2	1795	35, 40, 45	B 1795 0001					381	
3	9006 for series 18/19	35, 40, 45	Rod length	1385 mm	B 9006 0022			408	
				1500 mm	B 9006 0013			408	

Frame							
Striker							
No.	Product			See page	Product	See page	
4	Flat striker	Non-handed	B-90000-04-0-8 (series 18)		390	B-90000-00-0-8 (series 19)	390
		Lipped striker	DIN LH	B-90000-58-L-8		391	B-90000-52-L-8
	DIN RH		B-90000-58-R-8		B-90000-52-R-8		
	Lipped striker for 1795	Non-handed	B 9000 0567		396		

Combination RPEO 400

Panic function, single-leaf, top-locking



Inside



Outside

Active leaf: lever set with rosettes

Order number*

B-72030-□□-0-□

□	Cylinder hole-type – backplate design	□	Lever handle model	□	Finish
0	PC – oval	1	RONDO H1.1	1	Silver/EV1 look
1	PC – square	2	RONDO H1.2	3	PVD brass
2	CH-RC – oval	7	BELCANTO-Panik H3.1	7	Traffic white (RAL 9016)
3	CH-RC – square	8	BELCANTO-Panik H3.2	8	Satin stainless steel
4	Without PC hole – oval	A	OFFICE H4.2		
5	Without PC hole – square	C	LEGATO H5.2		
6	Without key escutcheon – oval	E	TREMOLO H6.2		
7	Without key escutcheon – square	G	DIRIGENT H7.2		

Active leaf: lever set with long backplates

Order number*

B-72040-□□-0-□

□	Cylinder hole-type – backplate design	□	Lever handle model	□	Finish
4	Without PC hole – round	1	RONDO H1.1	1	Silver/EV1 look
5	Without PC hole – square	2	RONDO H1.2	3	PVD brass
6	PC 92 mm – round	7	BELCANTO-Panik H3.1	7	Traffic white (RAL 9016)
7	PC 92 mm – square	8	BELCANTO-Panik H3.2	8	Satin stainless steel
8	CH-RC 94 mm – round	A	OFFICE H4.2		
9	CH-RC 94 mm – square	C	LEGATO H5.2		
		E	TREMOLO H6.2		
		G	DIRIGENT H7.2		

Accessories: spindles and screws see from page 456 – **more information** about the lever handle sets from page 12

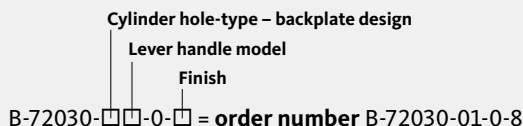
***Ordering example**

Active leaf: lever set with rosettes = B-72030-□□-0-□

Cylinder hole-type – backplate design = PC – oval = 0 [refer to table]

Lever handle model = RONDO H1.1 = 1 [refer to table]

Finish = 8 = satin stainless steel [refer to table]



Combination RPEO 400

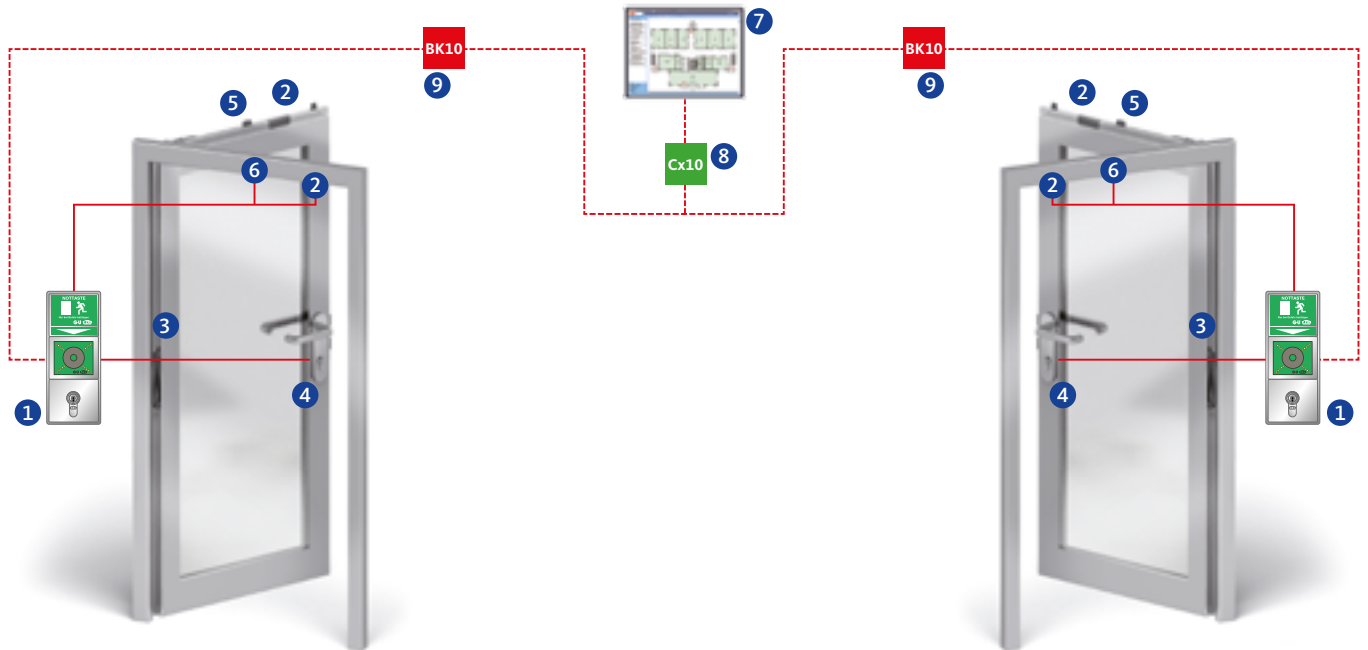
Panic function, single-leaf, top-locking



Escape door locking

Centralised control and visualisation

Escape door locking



Monitoring contacts

Product	Cylinder cam monitoring	Latch monitoring	Deadbolt monitoring	Follower monitoring	Electrically coupled exterior lever handle	Combinable with electric strike
1830 / 1832 / 1834	■	■	■	■	-	■
1900	■	■	-	■	-	-
1902	■	■	-	■	-	-
1980	Including	Including	-	Including	■	-

Escape door locking

No.	Product	Description	See page
1	B 5580 09xx	Escape door terminal set with integral power supply unit	462
2	B 5469 0010	Door contact	473
3	6-xxxxx-xx-x-x	Cable link	424
4	B 5490 xxxx	Connecting cable for electrically coupled lock or lock monitoring	427
5	B 5495 0010	Latch lock	470
6	B 5465 xxxx	Electric escape door strike	470

Centralised control and visualisation

No.	Product	Description	See page
7	B 5580 0521	BKS-NET system software Online visualisation module OV10 (licence)	475
8	B 5580 0421	CU10 building bus coupler (USB interface)	477
9	B 5580 0411	BK10 in-wall bus coupler (without frame/cover)	477

Door closers

For detailed order information please refer to our door closer order catalogue.

Combination RPES 100

Panic function, single-leaf, SECURY



Inside



Outside

Functional description

Inside

The door can be opened by the lever handle at any time (panic function). With a SECURY lock, the door is automatically locked without having to use the key.

- Panic function B
- Panic function C

Outside

The door leaf is opened using the key and lever handle. With a SECURY lock, the door is automatically locked without having to use the key.

Possible applications

- Emergency exits to EN 179 in areas not accessible to the public
- Suitable for fire and smoke protection doors
- As the lever handle is on the outside, the door can be used as a connecting door from both sides depending on the particular panic function
- Suitable for very high entrance doors with a tendency to warp (only by agreement with the door fabricator and in compliance with approvals)
- Automatic multi-point locking
- Enhanced burglar protection and gasket pressure thanks to the additional locking
- In conjunction with an electric A-opener especially suited for use with intercoms on entrance doors (remote opening) and with automatic swing-door drives (barrier-free)
- Optional combination with electric access control and/or escape door security components (see the following pages)

Recommendation

- Hallway doors in office buildings
- Homes for the elderly
- Secondary entrance doors
- Secondary entrance doors in kindergartens, schools and hotels

Combination RPES 100

Panic function, single-leaf, SECURY



Active leaf:

- ① = SECURY panic lock
- ② = Latchbolt striker



Active leaf					
No.	Product	Backset [mm]	Panic function B		Additional PC/CH-RC versions see page
			Faceplate 24 x 3 x 1750 mm Non-handed	U-faceplate 24 x 6 x 2 x 1750 mm Non-handed	
1	1910 SECURY	35	6-B1910-04-L-8	6-B1910-01-L-8	352
		40	6-B1910-14-L-8	6-B1910-13-L-8	352
		45	6-B1910-02-L-8	6-B1910-06-L-8	352

Frame				
Latchbolt striker				
No.	Product			See page
2	Lipped striker	Non-handed	B 9000 0911	399
	Striker	Non-handed	9-43501-xx-0-8	397

Combination RPES 100

Panic function, single-leaf, SECURY



Inside



Outside



Active leaf: lever set with rosettes

Order number*

B-72030-□□-0-□

□	Cylinder hole-type – backplate design	□	Lever handle model	□	Finish
0	PC – oval	1	RONDO H1.1	1	Silver/EV1 look
1	PC – square	2	RONDO H1.2	3	PVD brass
2	CH-RC – oval	7	BELCANTO-Panik H3.1	7	Traffic white (RAL 9016)
3	CH-RC – square	8	BELCANTO-Panik H3.2	8	Satin stainless steel
4	Without PC hole – oval	A	OFFICE H4.2		
5	Without PC hole – square	C	LEGATO H5.2		
6	Without key escutcheon – oval	E	TREMOLO H6.2		
7	Without key escutcheon – square	G	DIRIGENT H7.2		

Active leaf: lever set with long backplates

Order number*

B-72040-□□-0-□

□	Cylinder hole-type – backplate design	□	Lever handle model	□	Finish
4	Without PC hole – round	1	RONDO H1.1	1	Silver/EV1 look
5	Without PC hole – square	2	RONDO H1.2	3	PVD brass
6	PC 92 mm – round	7	BELCANTO-Panik H3.1	7	Traffic white (RAL 9016)
7	PC 92 mm – square	8	BELCANTO-Panik H3.2	8	Satin stainless steel
8	CH-RC 94 mm – round	A	OFFICE H4.2		
9	CH-RC 94 mm – square	C	LEGATO H5.2		
		E	TREMOLO H6.2		
		G	DIRIGENT H7.2		

Accessories: spindles and screws see from page 456 – **more information** about the lever handle sets from page 12

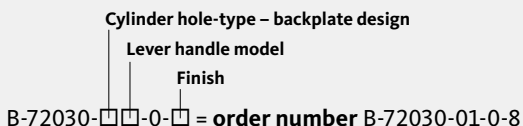
***Ordering example**

Active leaf: lever set with rosettes = B-72030-□□-0-□

Cylinder hole-type – backplate design = PC – oval = 0 [refer to table]

Lever handle model = RONDO H1.1 = 1 [refer to table]

Finish = 8 = satin stainless steel [refer to table]



Combination RPES 100

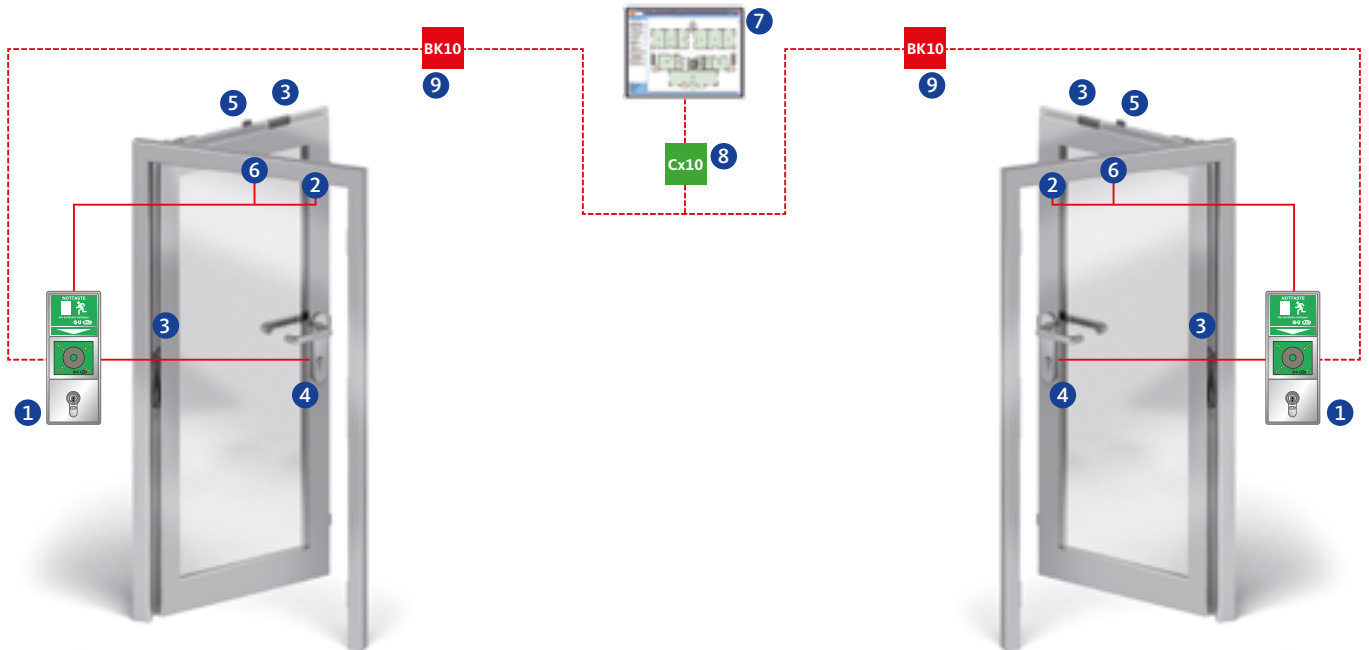
Panic function, single-leaf, SECURITY



Escape door locking

Centralised control and visualisation

Escape door locking



Monitoring contacts

Product	Cylinder cam monitoring	Latch monitoring	Deadbolt monitoring	Follower monitoring	Electrically coupled exterior lever handle	Combinable with electric strike	With A-opener (motor)
6-B1910-xx-x	■	■	-	■	-	-	■

Escape door locking

No.	Product	Description	See page
1	B 5580 09xx	Escape door terminal set with integral power supply unit	462
2	B 5469 0010	Door contact	473
3	6-xxxxx-xx-x-x	Cable link	424
4	B 5490 0300	Connecting cable for electrically coupled lock or lock monitoring	427
5	B 5495 0010	Latch lock	470
6	B 5465 xxxx	Electric escape door strike	470

Centralised control and visualisation

No.	Product	Description	See page
7	B 5580 0521	BKS-NET system software Online visualisation module OV10 (licence)	475
8	B 5580 0421	CU10 building bus coupler (USB interface)	477
9	B 5580 0411	BK10 in-wall bus coupler (without frame/cover)	477

Door closers

For detailed order information please refer to our door closer order catalogue.

Combination RPE 120

Panic function, single-leaf



Inside



Outside



Functional description

Inside

The door can be opened by the lever handle at any time (panic function). With series 18, the door is locked with the key. With series 19, the door locks automatically without a key.
– Panic function E

Outside

The door can only be unlocked with the key.
With series 18, the door is locked with the key.
With series 19, the door locks automatically without a key.

Possible applications

- Emergency exits to EN 179 in areas not accessible to the public
- Suitable for fire and smoke protection doors
- As the fixed knob or push/pull handle is on the outside, access from the outside is only possible using the key
- Optional combination with electric access control and/or escape door security components (see the following pages)

Recommendation

- Doors on transformer stations and boiler rooms
- Lift
- Underground car parks
- Entrance doors for warehouses and office buildings
- Entrance to tenements and apartment buildings

Combination RPE 120

Panic function, single-leaf



Active leaf:

- ① = Panic lock
- ② = Striker



Active leaf

No.	Product	Backset [mm]	Panic function E		Additional PC/CH-RC versions see page	
			Faceplate 24 x 3 x 270 mm Non-handed	U-faceplate 24 x 6 x 2 x 268 mm Non-handed		
1	1826	35	B-18260-01-U-8	B-18260-18-U-8	252	
		40	B-18260-02-U-8	B-18260-41-U-8	252	
		45	B-18260-03-U-8	B-18260-22-U-8	252	
		Product	Backset [mm]	Panic function E		Additional PC/CH-RC versions see page
				Faceplate 24 x 3 x 270 mm Non-handed	U-faceplate 24 x 6 x 2 x 268 mm Non-handed	
	1916	35	B-19160-00-U-8	B-19160-13-U-8	326	
		40	B-19160-01-U-8	B-19160-14-U-8	326	
		45	B-19160-02-U-8	B-19160-15-U-8	326	
	1916 with latch holdback	35	B-19160-37-U-8	B-19160-43-U-8	326	
		40	B-19160-38-U-8	B-19160-44-U-8	326	
		45	B-19160-39-U-8	B-19160-45-U-8	326	
		Product	Backset [mm]	Panic function E		Additional PC/CH-RC versions see page
				Faceplate 24 x 3 x 245 mm DIN LH	DIN RH	
	1316	35	B 1316 0243	B 1316 0244	216	
		40	B 1316 0245	B 1316 0246	216	
45		B 1316 0247	B 1316 0248	216		

Frame

Striker						
No.	Product			See page	Product	See page
2	Flat striker	Non-handed	B-90000-04-0-8 (series 18)	390	B-90000-00-0-8 (series 19)	390
		DIN LH	B-90000-58-L-8	391	B-90000-52-L-8	392
	DIN RH	B-90000-58-R-8	B-90000-52-R-8			
	Lipped striker					

Combination RPE 120

Panic function, single-leaf



Inside



Outside

Active leaf: entrance set with rosettes

Order number*		Knob			
B-72330-□□-0-□		Round knob K1.1			
B-72530-□□-0-□		Ball knob K2.1			
□	Cylinder hole-type – backplate design	□	Lever handle model	□	Finish
0	PC – oval	1	RONDO H1.1	1	Silver/EV1 look
1	PC – square	2	RONDO H1.2	3	PVD brass
2	CH-RC – oval	7	BELCANTO-Panik H3.1	7	Traffic white (RAL 9016)
3	CH-RC – square	8	BELCANTO-Panik H3.2	8	Satin stainless steel
4	Without PC hole – oval	A	OFFICE H4.2		
5	Without PC hole – square	C	LEGATO H5.2		
6	Without key escutcheon – oval	E	TREMOLO H6.2		
7	Without key escutcheon – square	G	DIRIGENT H7.2		

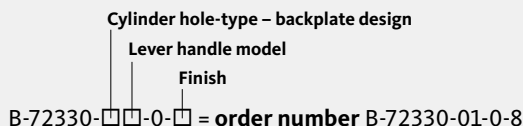
Active leaf: entrance set with long backplates

Order number*		Knob			
B-72340-□□-0-□		Round knob K1.1			
B-72540-□□-0-□		Ball knob K2.1			
□	Cylinder hole-type – backplate design	□	Lever handle model	□	Finish
4	Without PC hole – round	1	RONDO H1.1	1	Silver/EV1 look
5	Without PC hole – square	2	RONDO H1.2	3	PVD brass
6	PC 92 mm – round	7	BELCANTO-Panik H3.1	7	Traffic white (RAL 9016)
7	PC 92 mm – square	8	BELCANTO-Panik H3.2	8	Satin stainless steel
8	CH-RC 94 mm – round	A	OFFICE H4.2		
9	CH-RC 94 mm – square	C	LEGATO H5.2		
		E	TREMOLO H6.2		
		G	DIRIGENT H7.2		

Accessories: spindles and screws see from page 456 – **more information** about the lever handle sets from page 12

***Ordering example**

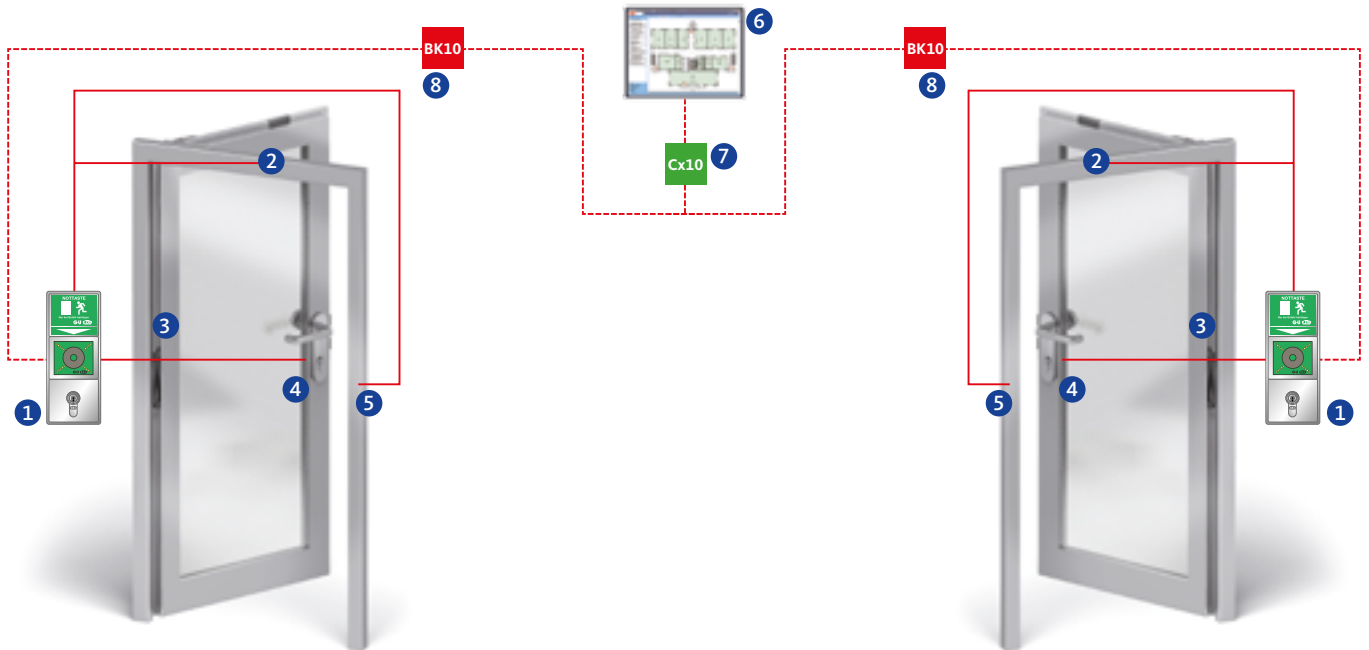
Active leaf: entrance set with rosettes = B-72330-□□-0-□
 Cylinder hole-type – backplate design = PC – oval = 0 [refer to table]
 Lever handle model = RONDO H1.1 = 1 [refer to table]
 Finish = 8 = satin stainless steel [refer to table]



Escape door locking

Centralised control and visualisation

Escape door locking



Monitoring contacts

Product	Cylinder cam monitoring	Latch monitoring	Deadbolt monitoring	Follower monitoring	Electrically coupled exterior lever handle	Combinable with electric strike
1826	■	■	■	■	–	■
1916	–	■	–	–	–	–
1926 EVP	■	–	–	–	–	–

Escape door locking

No.	Product	Description	See page
1	B 5580 09xx	Escape door terminal set with integral power supply unit	462
2	B 5469 0010	Door contact	473
3	6-xxxxx-xx-x-x	Cable link	424
4	B 5490 xxxx	Connecting cable for electrically coupled lock or lock monitoring	427
5	B 5465 040x	Electric escape door strike	470

Centralised control and visualisation

No.	Product	Description	See page
6	B 5580 0521	BKS-NET system software Online visualisation module OV10 (licence)	475
7	B 5580 0421	CU10 building bus coupler (USB interface)	477
8	B 5580 0411	BK10 in-wall bus coupler (without frame/cover)	477

Door closers

For detailed order information please refer to our door closer order catalogue.

Combination RPE 210

Panic function, single-leaf



Inside



Outside

Functional description

Inside

The door can be opened by the lever handle at any time (panic function). Locking is done by key.

– Panic function P

Outside

The door can only be unlocked with the key. Locking is done by key.

Possible applications

- Emergency exits to EN 179 in areas not accessible to the public
- As the fixed knob or push/pull handle is on the outside, access from the outside is only possible using the key
- Optional combination with electric access control and/or escape door security components (see the following pages)

Recommendation

- Doors on transformer stations and boiler rooms
- Lift
- Underground car parks
- Entrance doors for warehouses and office buildings
- Entrance to tenements and apartment buildings

Combination RPE 210

Panic function, single-leaf



Active leaf:

- ① = Panic lock
- ② = Striker



Active leaf				
No.	Product	Backset [mm]	Panic function P Faceplate 24 x 3 x 270 mm Non-handed	Additional PC/CH-RC versions see page
1	1848	35	B-18480-02-0-8	288
		40	B-18480-03-0-8	288
		45	B-18480-04-0-8	288

Frame				
Striker				
No.	Product			See page
2	Flat striker	Non-handed	B-90000-02-0-8	391

Combination RPE 210

Panic function, single-leaf



Inside



Outside

Active leaf: entrance set with rosettes

Order number*		Knob			
B-72330-□□-0-□		Round knob K1.1			
B-72530-□□-0-□		Ball knob K2.1			
□	Cylinder hole-type – backplate design	□	Lever handle model	□	Finish
0	PC – oval	1	RONDO H1.1	1	Silver/EV1 look
1	PC – square	2	RONDO H1.2	3	PVD brass
2	CH-RC – oval	7	BELCANTO-Panik H3.1	7	Traffic white (RAL 9016)
3	CH-RC – square	8	BELCANTO-Panik H3.2	8	Satin stainless steel
4	Without PC hole – oval	A	OFFICE H4.2		
5	Without PC hole – square	C	LEGATO H5.2		
6	Without key escutcheon – oval	E	TREMOLO H6.2		
7	Without key escutcheon – square	G	DIRIGENT H7.2		

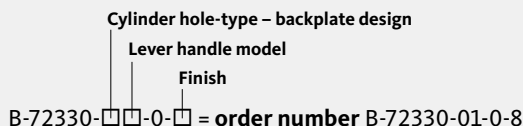
Active leaf: entrance set with long backplates

Order number*		Knob			
B-72340-□□-0-□		Round knob K1.1			
B-72540-□□-0-□		Ball knob K2.1			
□	Cylinder hole-type – backplate design	□	Lever handle model	□	Finish
4	Without PC hole – round	1	RONDO H1.1	1	Silver/EV1 look
5	Without PC hole – square	2	RONDO H1.2	3	PVD brass
6	PC 92 mm – round	7	BELCANTO-Panik H3.1	7	Traffic white (RAL 9016)
7	PC 92 mm – square	8	BELCANTO-Panik H3.2	8	Satin stainless steel
8	CH-RC 94 mm – round	A	OFFICE H4.2		
9	CH-RC 94 mm – square	C	LEGATO H5.2		
		E	TREMOLO H6.2		
		G	DIRIGENT H7.2		

Accessories: spindles and screws see from page 456 – **more information** about the lever handle sets from page 12

***Ordering example**

Active leaf: entrance set with rosettes = B-72330-□□-0-□
 Cylinder hole-type – backplate design = PC – oval = 0 [refer to table]
 Lever handle model = RONDO H1.1 = 1 [refer to table]
 Finish = 8 = satin stainless steel [refer to table]



Combination RPE 210

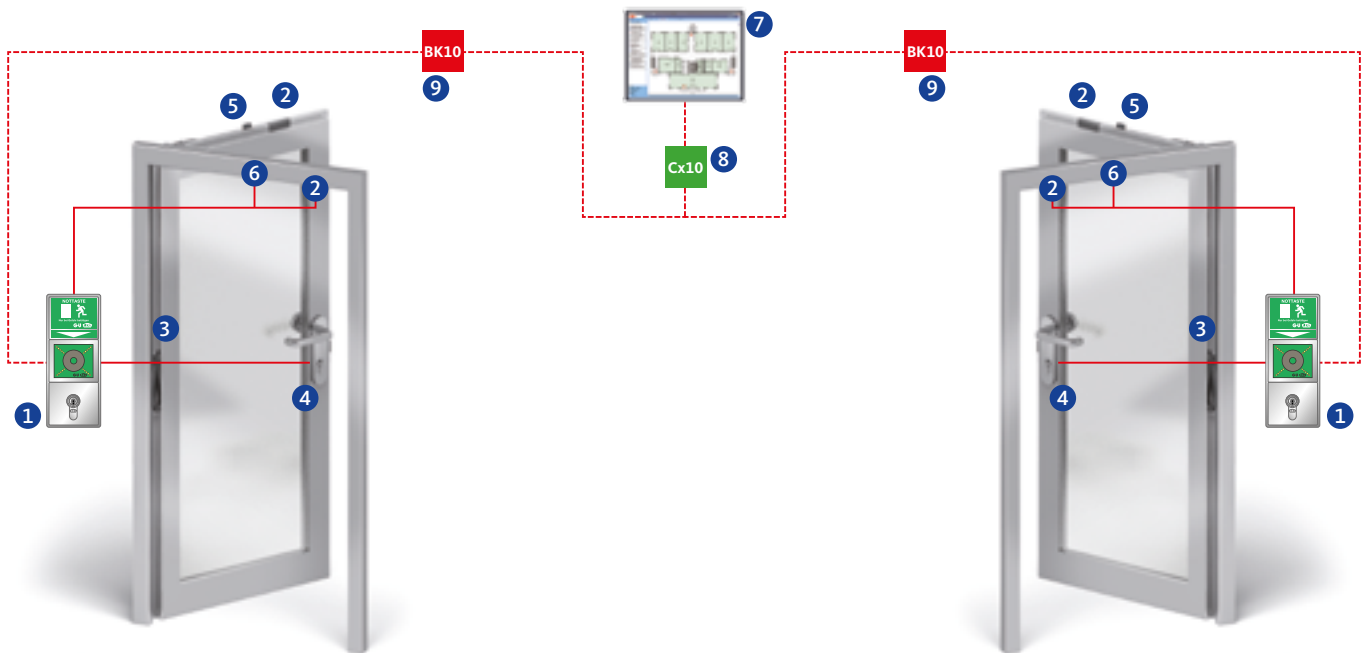
Panic function, single-leaf



Escape door locking

Centralised control and visualisation

Escape door locking



Monitoring contacts

Product	Cylinder cam monitoring	Latch monitoring	Deadbolt monitoring	Follower monitoring	Electrically coupled exterior lever handle	Combinable with electric strike
1848	■	-	■	■	-	-

Escape door locking

No.	Product	Description	See page
1	B 5580 09xx	Escape door terminal set with integral power supply unit	462
2	B 5469 0010	Door contact	473
3	6-xxxxx-xx-x-x	Cable link	424
4	B 5490 xxxx	Connecting cable for electrically coupled lock or lock monitoring	427
5	B 5495 0010	Latch lock	470
6	B 5465 xxxx	Electric escape door strike	470

Centralised control and visualisation

No.	Product	Description	See page
7	B 5580 0521	BKS-NET system software Online visualisation module OV10 (licence)	475
8	B 5580 0421	CU10 building bus coupler (USB interface)	477
9	B 5580 0411	BK10 in-wall bus coupler (without frame/cover)	477

Door closers

For detailed order information please refer to our door closer order catalogue.

Combination RPEO 420

Panic function, single-leaf, top-locking



Inside



Outside

Functional description

Inside

The door can be opened by the lever handle at any time (panic function). With series 18, the door is locked with the key. With series 19, the door locks automatically without a key.
– Panic function E

Outside

The door can only be unlocked with the key.
With series 18, the door is locked with the key.
With series 19, the door locks automatically without a key.

Possible applications

- Emergency exits to EN 179 in areas not accessible to the public
- Suitable for fire and smoke protection doors
- As the fixed knob or push/pull handle is on the outside, access from the outside is only possible using the key
- Suitable for very high entrance doors with a tendency to warp (only by agreement with the door fabricator and in compliance with approvals)
- Enhanced burglar protection and gasket pressure thanks to the additional top-locking
- Optional combination with electric access control and/or escape door security components (see the following pages)

Recommendation

- Doors on transformer stations and boiler rooms
- Lift
- Underground car parks
- Entrance doors for warehouses and office buildings
- Entrance to tenements and apartment buildings

Combination RPEO 420

Panic function, single-leaf, top-locking



Active leaf:

- 1 = Panic lock with top-locking
- 2 = Spring-operated top latch
- 3 = Vertical rod
- 4 = Striker



Active leaf						
No.	Product	Backset [mm]	Panic function E Faceplate 24 x 3 x 270 mm Non-handed		Additional PC/CH-RC versions see page	
1	1836	35	B-18360-02-U-8		268	
		40	B-18360-04-U-8		268	
		45	B-18360-06-U-8		268	
	1906 Self-locking	35	B-19060-00-U-8		314	
		40	B-19060-01-U-8		314	
		45	B-19060-02-U-8		314	
2	1795	35, 40, 45	B 1795 0001		381	
3	9006	35, 40, 45	Rod length	1385 mm	B 9006 0022	408
				1500 mm	B 9006 0013	408

Frame						
Striker						
No.	Product			See page	Product	See page
4	Flat striker	Non-handed	B-90000-04-0-8 (series 18)	390	B-90000-00-0-8 (series 19)	390
	Lipped striker	DIN LH	B-90000-58-L-8	391	B-90000-52-L-8	392
		DIN RH	B-90000-58-R-8		B-90000-52-R-8	
	Lipped striker for 1795	Non-handed	B 9000 0567	396		

Combination RPEO 420

Panic function, single-leaf, top-locking



Inside



Outside

Active leaf: entrance set with rosettes

Order number*		Knob			
B-72330-□□-0-□		Round knob K1.1			
B-72530-□□-0-□		Ball knob K2.1			
□	Cylinder hole-type – backplate design	□	Lever handle model	□	Finish
0	PC – oval	1	RONDO H1.1	1	Silver/EV1 look
1	PC – square	2	RONDO H1.2	3	PVD brass
2	CH-RC – oval	7	BELCANTO-Panik H3.1	7	Traffic white (RAL 9016)
3	CH-RC – square	8	BELCANTO-Panik H3.2	8	Satin stainless steel
4	Without PC hole – oval	A	OFFICE H4.2		
5	Without PC hole – square	C	LEGATO H5.2		
6	Without key escutcheon – oval	E	TREMOLO H6.2		
7	Without key escutcheon – square	G	DIRIGENT H7.2		

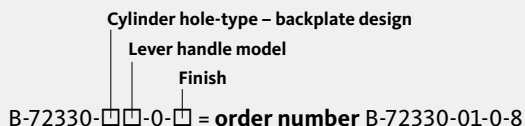
Active leaf: entrance set with long backplates

Order number*		Knob			
B-72340-□□-0-□		Round knob K1.1			
B-72540-□□-0-□		Ball knob K2.1			
□	Cylinder hole-type – backplate design	□	Lever handle model	□	Finish
4	Without PC hole – round	1	RONDO H1.1	1	Silver/EV1 look
5	Without PC hole – square	2	RONDO H1.2	3	PVD brass
6	PC 92 mm – round	7	BELCANTO-Panik H3.1	7	Traffic white (RAL 9016)
7	PC 92 mm – square	8	BELCANTO-Panik H3.2	8	Satin stainless steel
8	CH-RC 94 mm – round	A	OFFICE H4.2		
9	CH-RC 94 mm – square	C	LEGATO H5.2		
		E	TREMOLO H6.2		
		G	DIRIGENT H7.2		

Accessories: spindles and screws see from page 456 – **more information** about the lever handle sets from page 12

***Ordering example**

Active leaf: entrance set with rosettes = B-72330-□□-0-□
 Cylinder hole-type – backplate design = PC – oval = 0 [refer to table]
 Lever handle model = RONDO H1.1 = 1 [refer to table]
 Finish = 8 = satin stainless steel [refer to table]



Combination RPEO 420

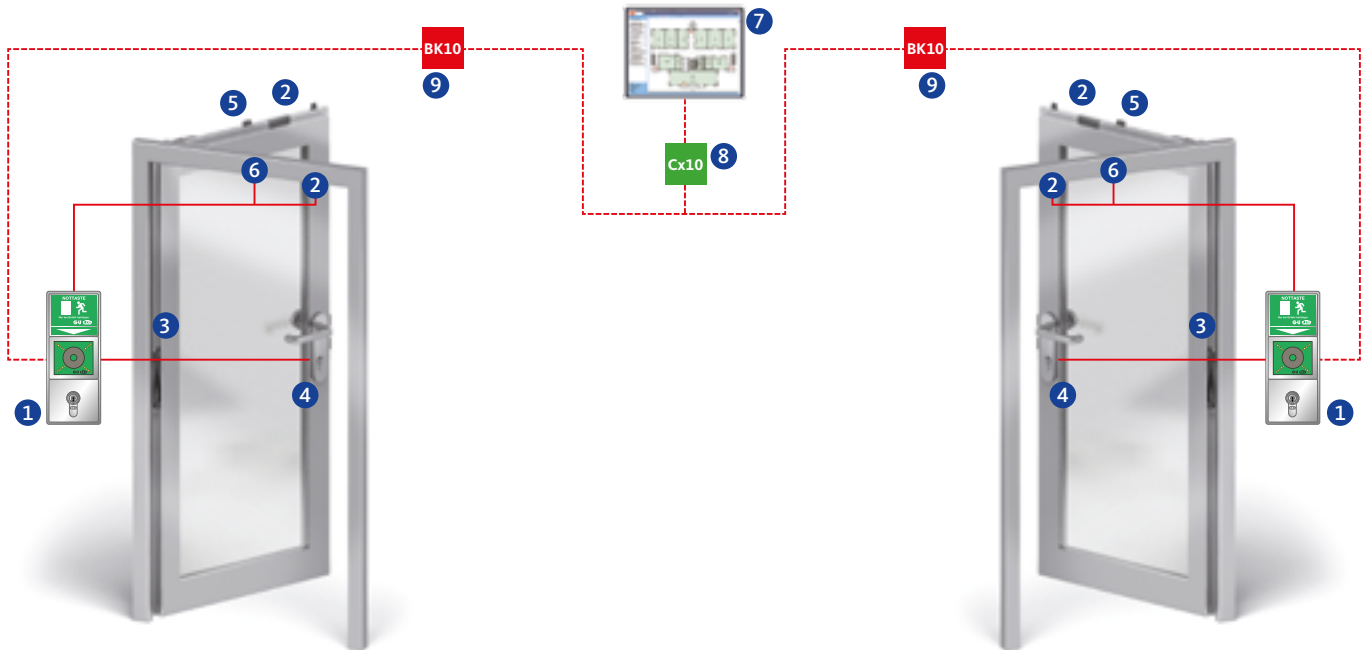
Panic function, single-leaf, top-locking



Escape door locking

Centralised control and visualisation

Escape door locking



Monitoring contacts

Product	Cylinder cam monitoring	Latch monitoring	Deadbolt monitoring	Follower monitoring	Electrically coupled exterior lever handle	Combinable with electric strike
1836	■	■	■	■	-	■
1906	-	■	-	-	-	-

Escape door locking

No.	Product	Description	See page
1	B 5580 09xx	Escape door terminal set with integral power supply unit	462
2	B 5469 0010	Door contact	473
3	6-xxxxx-xx-x-x	Cable link	424
4	B 5490 xxxx	Connecting cable for electrically coupled lock or lock monitoring	427
5	B 5495 0010	Latch lock	470
6	B 5465 xxxx	Electric escape door strike	470

Centralised control and visualisation

No.	Product	Description	See page
7	B 5580 0521	BKS-NET system software Online visualisation module OV10 (licence)	475
8	B 5580 0421	CU10 building bus coupler (USB interface)	477
9	B 5580 0411	BK10 in-wall bus coupler (without frame/cover)	477

Door closers

For detailed order information please refer to our door closer order catalogue.

Combination RPES 120

Panic function, single-leaf, SECURITY



Inside



Outside

Functional description

Inside

The door can be opened by the lever handle at any time (panic function). With a SECURITY lock, the door is automatically locked without having to use the key.

– Panic function E

Outside

The door can only be unlocked with the key. With a SECURITY lock, the door is automatically locked without having to use the key.

Possible applications

- Emergency exits to EN 179 in areas not accessible to the public
- Suitable for fire and smoke protection doors
- As the fixed knob or push/pull handle is on the outside, access from the outside is only possible using the key
- Suitable for very high entrance doors with a tendency to warp (only by agreement with the door fabricator and in compliance with approvals)
- Automatic multi-point locking
- Enhanced burglar protection and gasket pressure thanks to the additional locking
- Especially suitable in combination with an electric A-opener for use with intercoms on entrance doors (remote opening) and automatic swing-door drives (barrier-free)
- Optional combination with electric access control and/or escape door security components (see the following pages)

Recommendation

- Doors on transformer stations and boiler rooms
- Lift
- Underground car parks
- Entrance doors for warehouses and office buildings
- Entrance to tenements and apartment buildings

Combination RPES 120

Panic function, single-leaf, SECURY



Active leaf:

- ① = SECURY panic lock
- ② = Latchbolt striker



Active leaf					
No.	Product	Backset [mm]	Panic function E		Additional PC/CH-RC versions see page
			Faceplate 24 x 3 x 1750 mm Non-handed	U-faceplate 24 x 6 x 2 x 1750 mm Non-handed	
1	1916 SECURY	35	6-B1916-04-L-8	6-B1916-01-L-8	364
		40	6-B1916-14-L-8	6-B1916-09-L-8	364
		45	6-B1916-08-L-8	6-B1916-06-L-8	364

Frame				
Latchbolt striker				
No.	Product			See page
2	Lipped striker	Non-handed	B 9000 0911	399
	Striker	Non-handed	9-43501-xx-0-8	397

Combination RPES 120

Panic function, single-leaf, SECURY



Inside



Outside

Active leaf: entrance set with rosettes

Order number*		Knob			
B-72330-□□-0-□		Round knob K1.1			
B-72530-□□-0-□		Ball knob K2.1			
□	Cylinder hole-type – backplate design	□	Lever handle model	□	Finish
0	PC – oval	1	RONDO H1.1	1	Silver/EV1 look
1	PC – square	2	RONDO H1.2	3	PVD brass
2	CH-RC – oval	7	BELCANTO-Panik H3.1	7	Traffic white (RAL 9016)
3	CH-RC – square	8	BELCANTO-Panik H3.2	8	Satin stainless steel
4	Without PC hole – oval	A	OFFICE H4.2		
5	Without PC hole – square	C	LEGATO H5.2		
6	Without key escutcheon – oval	E	TREMOLO H6.2		
7	Without key escutcheon – square	G	DIRIGENT H7.2		

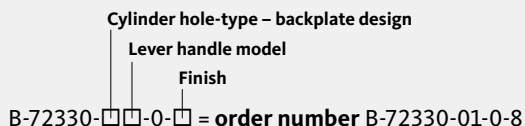
Active leaf: entrance set with long backplates

Order number*		Knob			
B-72340-□□-0-□		Round knob K1.1			
B-72540-□□-0-□		Ball knob K2.1			
□	Cylinder hole-type – backplate design	□	Lever handle model	□	Finish
4	Without PC hole – round	1	RONDO H1.1	1	Silver/EV1 look
5	Without PC hole – square	2	RONDO H1.2	3	PVD brass
6	PC 92 mm – round	7	BELCANTO-Panik H3.1	7	Traffic white (RAL 9016)
7	PC 92 mm – square	8	BELCANTO-Panik H3.2	8	Satin stainless steel
8	CH-RC 94 mm – round	A	OFFICE H4.2		
9	CH-RC 94 mm – square	C	LEGATO H5.2		
		E	TREMOLO H6.2		
		G	DIRIGENT H7.2		

Accessories: spindles and screws see from page 456 – **more information** about the lever handle sets from page 12

*Ordering example

Active leaf: entrance set with rosettes = B-72330-□□-0-□
 Cylinder hole-type – backplate design = PC – oval = 0 [refer to table]
 Lever handle model = RONDO H1.1 = 1 [refer to table]
 Finish = 8 = satin stainless steel [refer to table]



Combination RPES 120

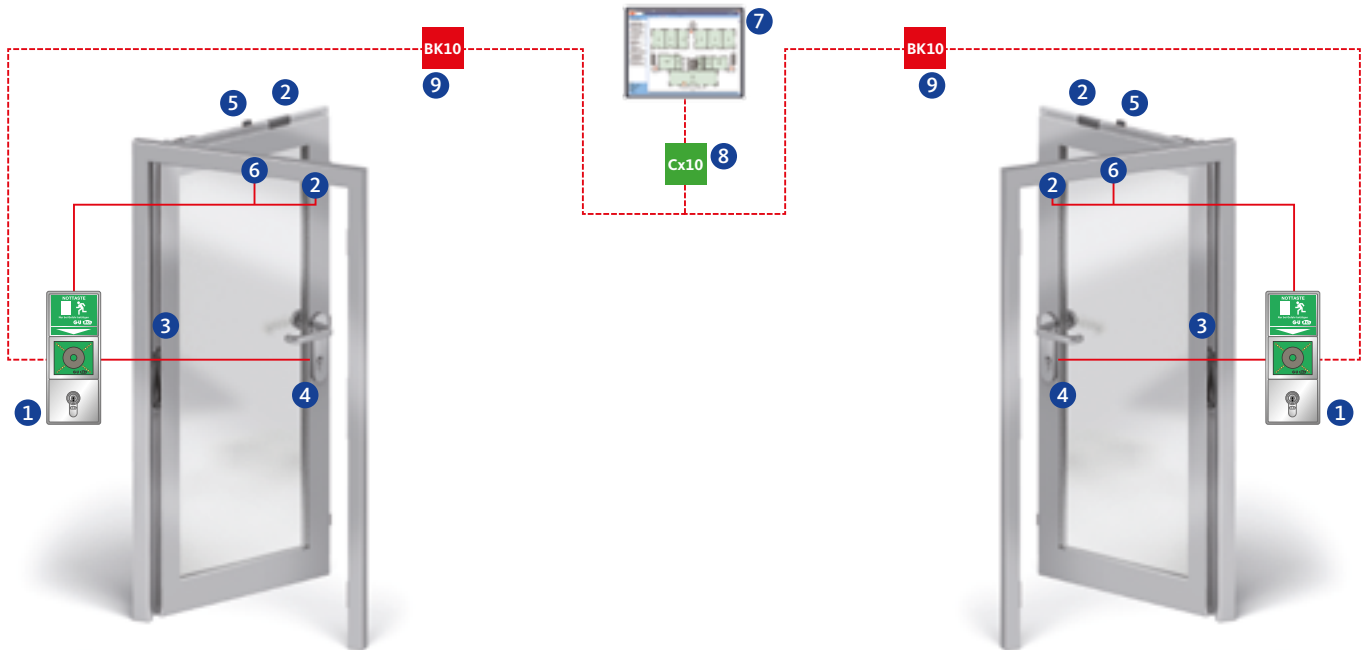
Panic function, single-leaf, SECURITY



Escape door locking

Centralised control and visualisation

Escape door locking



Monitoring contacts

Product	Cylinder cam monitoring	Latch monitoring	Deadbolt monitoring	Follower monitoring	Electrically coupled exterior lever handle	Combinable with electric strike	With A-opener (motor)
6-B1916-xx-x	■	■	-	■	-	-	■

Escape door locking

No.	Product	Description	See page
1	B 5580 09xx	Escape door terminal set with integral power supply unit	462
2	B 5469 0010	Door contact	473
3	6-xxxxx-xx-x-x	Cable link	424
4	B 5490 0300	Connecting cable for electrically coupled lock or lock monitoring	427
5	B 5495 0010	Latch lock	470
6	B 5465 xxxx	Electric escape door strike	470

Centralised control and visualisation

No.	Product	Description	See page
7	B 5580 0521	BKS-NET system software Online visualisation module OV10 (licence)	475
8	B 5580 0421	CU10 building bus coupler (USB interface)	477
9	B 5580 0411	BK10 in-wall bus coupler (without frame/cover)	477

Door closers

For detailed order information please refer to our door closer order catalogue.

Combination RPE 105

Panic function, single-leaf



Inside



Outside

Functional description

Inside

The door can be opened by the push bar at any time (panic function). With series 18, the door is locked with the key. With series 19, the door locks automatically without a key.

- Panic function B
- Panic function C
- Panic function D (not with series 19)

Outside

The door leaf is opened using the key and lever handle. With series 18, the door is locked with the key. With series 19, the door locks automatically without a key.

Possible applications

- Escape doors to EN 1125 in public buildings
- Suitable for fire and smoke protection doors
- As the lever handle is on the outside, the door can be used as a connecting door from both sides depending on the particular panic function
- Optional combination with electric access control and/or escape door security components (see the following pages)

Recommendation

- Administrative and office buildings
- Homes for the elderly and residential homes
- Secondary entrance doors
- Main entrance doors to kindergartens, schools, hotels

Combination RPE 105

Panic function, single-leaf



Active leaf:

- ① = Panic lock
- ② = Striker



Active leaf								
No.	Product	Backset [mm]	Panic function B Faceplate 24 x 3 x 270 mm Non-handed	Panic function C Faceplate 24 x 3 x 270 mm Non-handed	Panic function D Faceplate 24 x 3 x 270 mm Non-handed	Additional PC/CH-RC versions see page		
1	1820 B 1822 C 1824 D	35	B-18200-01-L-8	B-18220-01-L-8	B-18240-01-L-8	240 / 244 / 248		
		40	B-18200-02-L-8	B-18220-02-L-8	B-18240-02-L-8	240 / 244 / 248		
		45	B-18200-03-L-8	B-18220-03-L-8	B-18240-03-L-8	240 / 244 / 248		
	Product	Backset [mm]	Latch lever function Faceplate 24 x 3 x 270 mm Non-handed		U-faceplate 24 x 6 x 2 x 268 mm Non-handed		Additional PC/CH-RC versions see page	
			35	B-19700-00-U-8	B-19700-11-U-8		338	
			40	B-19700-02-U-8	B-19700-13-U-8		338	
	1970 Electrically coupled	Backset [mm]	45	B-19700-04-U-8	B-19700-14-U-8		338	
			Product	Backset [mm]	Panic function B Faceplate 24 x 3 x 270 mm Non-handed		Panic function C Faceplate 24 x 3 x 270 mm Non-handed	Additional PC/CH-RC versions see page
					1910 Self-locking	35	B-19100-00-U-8	
	40	B-19100-01-U-8				B-19100-11-U-8	–	
	45	B-19100-02-U-8	B-19100-12-U-8	–				
	1912 Self-locking	Backset [mm]	35	–	–	B-19120-00-U-8	322	
40			–	–	B-19120-01-U-8	322		
45			–	–	B-19120-02-U-8	322		

Frame						
Striker						
No.	Product			See page	Product	See page
2	Flat striker	Non-handed	B-90000-04-0-8 (series 18)	390	B-90000-00-0-8 (series 19)	390
			DIN LH	B-90000-58-L-8	391	B-90000-52-L-8
	DIN RH	B-90000-58-R-8	B-90000-52-R-8			

Combination RPE 105

Panic function, single-leaf



Inside



Outside

Active leaf: half lever set with rosettes

Order number*				
B-72130-□□-0-□				
□ Cylinder hole-type – backplate design	□ Lever handle model	□ Finish		
0 PC – oval	1 RONDO H1.1	1	Silver/EV1 look	
1 PC – square	2 RONDO H1.2	3	PVD brass	
2 CH-RC – oval	7 BELCANTO-Panik H3.1	7	Traffic white**	
3 CH-RC – square	8 BELCANTO-Panik H3.2	8	Satin stainless steel	
4 Without PC hole – oval	A OFFICE H4.2	**RAL 9016		
5 Without PC hole – square	C LEGATO H5.2			
6 Without key escutcheon – oval	E TREMOLO H6.2			
7 Without key escutcheon – square	G DIRIGENT H7.2			

Active leaf: half lever set with long backplate

Order number*				
B-72140-□□-0-□				
□ Cylinder hole-type – backplate design	□ Lever handle model	□ Finish		
4 Without PC hole – round	1 RONDO H1.1	1	Silver/EV1 look	
5 Without PC hole – square	2 RONDO H1.2	3	PVD brass	
6 PC 92 mm – round	7 BELCANTO-Panik H3.1	7	Traffic white**	
7 PC 92 mm – square	8 BELCANTO-Panik H3.2	8	Satin stainless steel	
8 CH-RC 94 mm – round	A OFFICE H4.2	**RAL 9016		
9 CH-RC 94 mm – square	C LEGATO H5.2			
	E TREMOLO H6.2			
	G DIRIGENT H7.2			

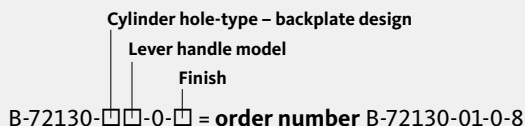
Active leaf: panic exit device according to EN 1125

Part number				
Locking component	Cylinder hole-type	Aluminium F1	Satin stainless steel	See page
Push bar	PC 92 mm	B-74000-30-0-1N	B-74000-30-0-8	436
	CH-RC 94 mm	B-74000-40-0-1N	B-74000-40-0-8	436
Crossbar	Length	Aluminium F1	Satin stainless steel	See page
	1150 mm	B 7100 4274	B 7100 4204	436
Locking component	Length	Aluminium F1	Satin stainless steel	See page
Touch bar	1158 mm	B-74410-02-0-1	B-74410-02-0-8	432

Accessories: spindles and screws see from page 456 – **more information** about the lever handle sets from page 12

***Ordering example**

Active leaf: half lever set with rosettes = B-72130-□□-0-□
 Cylinder hole-type – backplate design = PC – oval = 0 [refer to table]
 Lever handle model = RONDO H1.1 = 1 [refer to table]
 Finish = 8 = satin stainless steel [refer to table]



Combination RPE 105

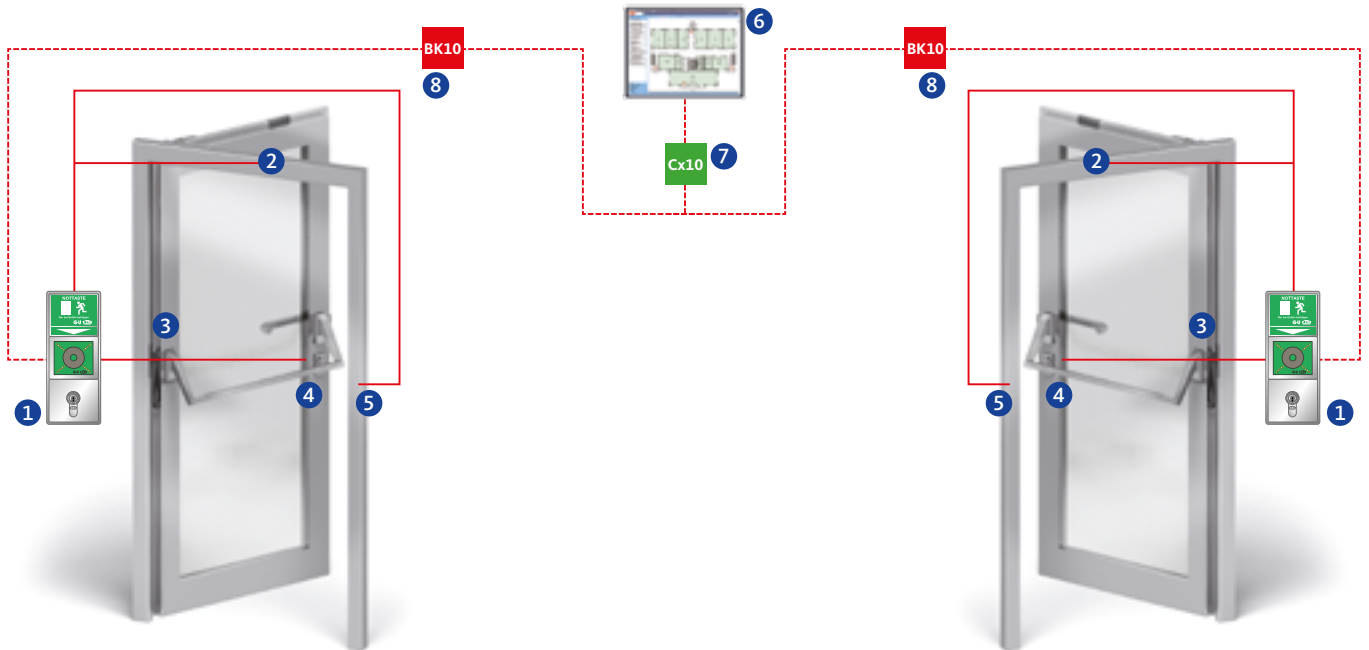
Panic function, single-leaf



Escape door locking

Centralised control and visualisation

Escape door locking



Monitoring contacts

Product	Cylinder cam monitoring	Latch monitoring	Deadbolt monitoring	Follower monitoring	Electrically coupled exterior lever handle	Combinable with electric strike
1820 / 1822 / 1824	■	■	■	■	-	■
1910	■	■	-	■	-	-
1912	■	■	-	■	-	-
1970	Including	Including	-	Including	■	-
1920 EVP	■	-	-	-	-	-

Escape door locking

No.	Product	Description	See page
1	B 5580 09xx	Escape door terminal set with integral power supply unit	462
2	B 5469 0010	Door contact	473
3	6-xxxxx-xx-x-x	Cable link	424
4	B 5490 xxxx	Connecting cable for electrically coupled lock or lock monitoring	427
5	B 5465 040x	Electric escape door strike	470

Centralised control and visualisation

No.	Product	Description	See page
6	B 5580 0521	BKS-NET system software Online visualisation module OV10 (licence)	475
7	B 5580 0421	CU10 building bus coupler (USB interface)	477
8	B 5580 0411	BK10 in-wall bus coupler (without frame/cover)	477

Door closers

For detailed order information please refer to our door closer order catalogue.

Combination RPEO 405

Panic function, single-leaf, top-locking



Inside



Outside

Functional description

Inside

The door can be opened by the push bar at any time (panic function). With series 18, the door is locked with the key. With series 19, the door locks automatically without a key.

- Panic function B
- Panic function C
- Panic function D (not with series 19)

Outside

The door leaf is opened using the key and lever handle. With series 18, the door is locked with the key. With series 19, the door locks automatically without a key.

Possible applications

- Escape doors to EN 1125 in public buildings
- Suitable for fire and smoke protection doors
- As the lever handle is on the outside, the door can be used as a connecting door from both sides depending on the particular panic function
- Suitable for very high entrance doors with a tendency to warp (only by agreement with the door fabricator and in compliance with approvals)
- Enhanced burglar protection and gasket pressure thanks to the additional top-locking
- Optional combination with electric access control and/or escape door security components (see the following pages)

Recommendation

- Administrative and office buildings
- Homes for the elderly and residential homes
- Secondary entrance doors
- Main entrance doors to kindergartens, schools, hotels

Combination RPEO 405

Panic function, single-leaf, top-locking



Active leaf:

- ① = Panic lock with top-locking
- ② = Spring-operated top latch
- ③ = Vertical top rod
- ④ = Striker



Active leaf							
No.	Product	Backset [mm]	Panic function B Faceplate 24 x 3 x 270 mm Non-handed	Panic function C Faceplate 24 x 3 x 270 mm (320 mm) Non-handed	Panic function D Faceplate 24 x 3 x 270 mm Non-handed	Additional PC/CH-RC versions see page	
1	1830 B 1832 C 1834 D	35	B-18300-01-L-8	B-18320-01-L-8	B-18340-01-L-8	256 / 260 / 264	
		40	B-18300-02-L-8	B-18320-02-L-8	B-18340-02-L-8	256 / 260 / 264	
		45	B-18300-03-L-8	B-18320-03-L-8	B-18340-03-L-8	256 / 260 / 264	
	Product	Backset [mm]	Latch lever function				Additional PC/CH-RC versions see page
			Faceplate 24 x 3 x 320 mm Non-handed	U-faceplate 24 x 6 x 2 x 318 mm Non-handed			
	1980 Electrically coupled	35	B-19800-00-U-8	B-19800-06-U-8			342
		40	B-19800-02-U-8	-			342
		45	B-19800-03-U-8	-			342
	Product	Backset [mm]	Panic function B		Panic function C		Additional PC/CH-RC versions see page
			Faceplate 24 x 3 x 270 mm Non-handed	U-faceplate 24 x 6 x 2 x 268 mm Non-handed	Faceplate 24 x 3 x 270 mm Non-handed	U-faceplate 24 x 6 x 2 x 268 mm Non-handed	
	1900 B 1902 C Self-locking	35	B-19000-00-U-8	B-19000-06-U-8	B-19020-00-U-8	B-19020-06-U-8	306 / 310
		40	B-19000-01-U-8	B-19000-07-U-8	B-19020-01-U-8	B-19020-07-U-8	306 / 310
45		B-19000-02-U-8	B-19000-08-U-8	B-19020-02-U-8	B-19020-08-U-8	306 / 310	
2	1795	35, 40, 45	B 1795 0001			381	
3	9006 for series 18/19	35, 40, 45	Rod length	1385 mm	B 9006 0022	408	
				1500 mm	B 9006 0013		408

Frame						
Striker						
No.	Product			See page	Product	See page
4	Flat striker	Non-handed	B-90000-04-0-8 (series 18)	390	B-90000-00-0-8 (series 19)	390
	Lipped striker	DIN LH	B-90000-58-L-8	391	B-90000-52-L-8	392
		DIN RH	B-90000-58-R-8		B-90000-52-R-8	
	Lipped striker for 1795	Non-handed	B 9000 0567	396		

Combination RPEO 405

Panic function, single-leaf, top-locking



Inside



Outside

Active leaf: half lever set with rosettes

Order number*				
B-72130-□□-0-□				
□ Cylinder hole-type – backplate design	□ Lever handle model	□ Finish		
0 PC – oval	1 RONDO H1.1	1	Silver/EV1 look	
1 PC – square	2 RONDO H1.2	3	PVD brass	
2 CH-RC – oval	7 BELCANTO-Panik H3.1	7	Traffic white**	
3 CH-RC – square	8 BELCANTO-Panik H3.2	8	Satin stainless steel	
4 Without PC hole – oval	A OFFICE H4.2	**RAL 9016		
5 Without PC hole – square	C LEGATO H5.2			
6 Without key escutcheon – oval	E TREMOLO H6.2			
7 Without key escutcheon – square	G DIRIGENT H7.2			

Active leaf: half lever set with long backplate

Order number*				
B-72140-□□-0-□				
□ Cylinder hole-type – backplate design	□ Lever handle model	□ Finish		
4 Without PC hole – round	1 RONDO H1.1	1	Silver/EV1 look	
5 Without PC hole – square	2 RONDO H1.2	3	PVD brass	
6 PC 92 mm – round	7 BELCANTO-Panik H3.1	7	Traffic white**	
7 PC 92 mm – square	8 BELCANTO-Panik H3.2	8	Satin stainless steel	
8 CH-RC 94 mm – round	A OFFICE H4.2	**RAL 9016		
9 CH-RC 94 mm – square	C LEGATO H5.2			
	E TREMOLO H6.2			
	G DIRIGENT H7.2			

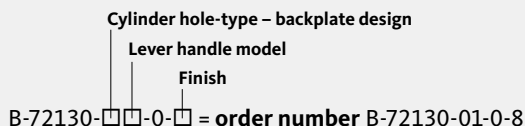
Active leaf: panic exit device according to EN 1125

Part number				
Locking component	Cylinder hole-type	Aluminium F1	Satin stainless steel	See page
Push bar	PC 92 mm	B-74000-30-0-1N	B-74000-30-0-8	436
	CH-RC 94 mm	B-74000-40-0-1N	B-74000-40-0-8	436
Crossbar	Length	Aluminium F1	Satin stainless steel	See page
	1150 mm	B 7100 4274	B 7100 4204	436
Locking component	Length	Aluminium F1	Satin stainless steel	See page
Touch bar	1158 mm	B-74410-02-0-1	B-74410-02-0-8	432

Accessories: spindles and screws see from page 456 – **more information** about the lever handle sets from page 12

***Ordering example**

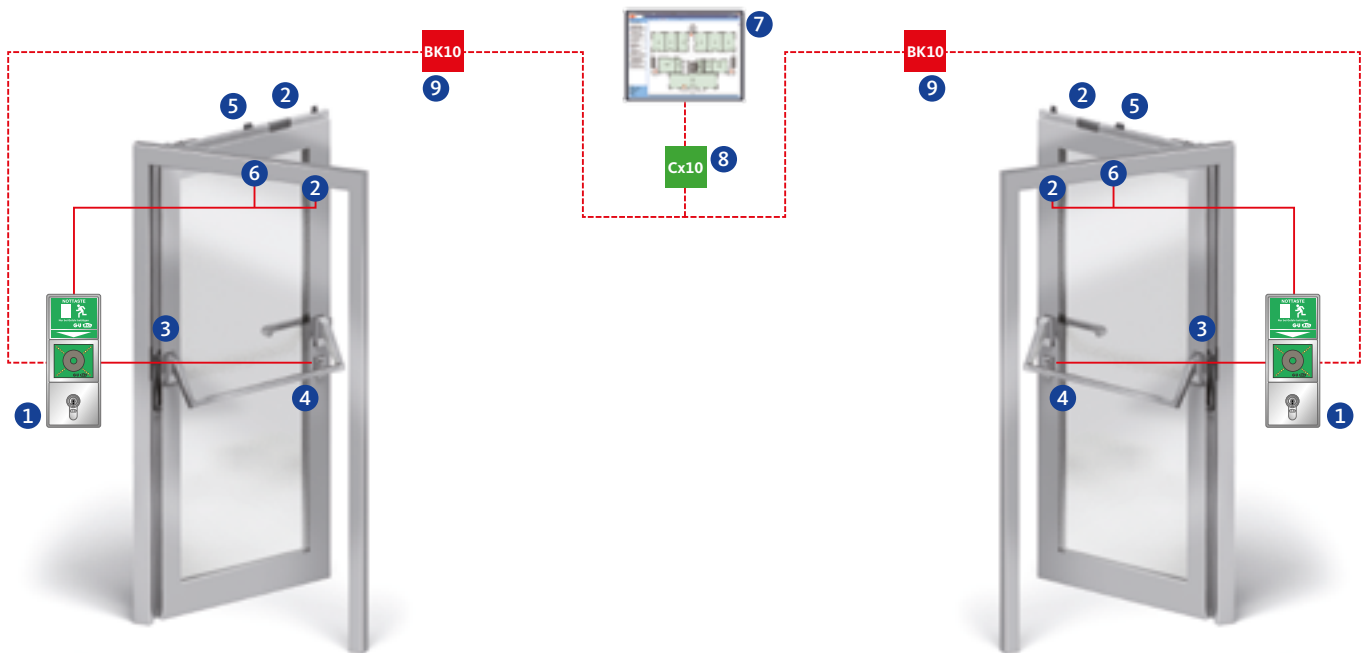
Active leaf: half lever set with rosettes = B-72130-□□-0-□
 Cylinder hole-type – backplate design = PC – oval = 0 [refer to table]
 Lever handle model = RONDO H1.1 = 1 [refer to table]
 Finish = 8 = satin stainless steel [refer to table]



Escape door locking

Centralised control and visualisation

Escape door locking



Monitoring contacts

Product	Cylinder cam monitoring	Latch monitoring	Deadbolt monitoring	Follower monitoring	Electrically coupled exterior lever handle	Combinable with electric strike
1830 / 1832 / 1834	■	■	■	■	-	■
1980	Including	Including	-	Including	■	-
1900 / 1902	■	■	-	■	-	-

Escape door locking

No.	Product	Description	See page
1	B 5580 09xx	Escape door terminal set with integral power supply unit	462
2	B 5469 0010	Door contact	473
3	6-xxxxx-xx-x-x	Cable link	424
4	B 5490 xxxx	Connecting cable for electrically coupled lock or lock monitoring	427
5	B 5495 0010	Latch lock	470
6	B 5465 xxxx	Electric escape door strike	470

Centralised control and visualisation

No.	Product	Description	See page
7	B 5580 0521	BKS-NET system software Online visualisation module OV10 (licence)	475
8	B 5580 0421	CU10 building bus coupler (USB interface)	477
9	B 5580 0411	BK10 in-wall bus coupler (without frame/cover)	477

Door closers

For detailed order information please refer to our door closer order catalogue.

Combination RPES 105

Panic function, single-leaf, SECURY



Inside



Outside

Functional description

Inside

The door can be opened by the push bar at any time (panic function). With a SECURY lock, the door locks automatically without having to use the key.

- Panic function B
- Panic function C

Outside

The door leaf is opened using the key and lever handle. With a SECURY lock, the door locks automatically without having to use the key.

Possible applications

- Escape doors to EN 1125 in public buildings
- Suitable for fire and smoke protection doors
- As the lever handle is on the outside, the door can be used as a connecting door from both sides depending on the particular panic function
- Suitable for very high entrance doors with a tendency to warp (only by agreement with the door fabricator and in compliance with approvals)
- Automatic multi-point locking
- Enhanced burglar protection and gasket pressure thanks to the additional locking
- Especially suitable in combination with an electric A-opener for use with intercoms on entrance doors (remote opening) and with automatic swing door drives (barrier-free)
- Optional combination with electric access control and/or escape door security components (see the following pages)

Recommendation

- Administrative and office buildings
- Homes for the elderly and residential homes
- Secondary entrance doors
- Main entrance doors to kindergartens, schools, hotels

Combination RPES 105

Panic function, single-leaf, SECURY



Active leaf:

- ① = SECURY panic lock
- ② = Latchbolt striker



Active leaf

No.	Product	Backset [mm]	Panic function B		Additional PC/CH-RC versions see page
			Faceplate 24 x 3 x 1750 mm Non-handed	U-faceplate 24 x 6 x 2 x 1750 mm Non-handed	
1	1910 SECURY	35	6-B1910-04-L-8	6-B1910-01-L-8	352
		40	6-B1910-14-L-8	6-B1910-13-L-8	352
		45	6-B1910-02-L-8	6-B1910-06-L-8	352

Frame

Latchbolt striker

No.	Product			See page
2	Lipped striker	Non-handed	B 9000 0911	399
	Striker	Non-handed	9-43501-xx-0-8	397

Combination RPES 105

Panic function, single-leaf, SECURY



Inside



Outside

Active leaf: half lever set with rosettes

Order number*				
B-72130-□□-0-□				
□ Cylinder hole-type – backplate design	□ Lever handle model	□ Finish		
0 PC – oval	1 RONDO H1.1	1 Silver/EV1 look		
1 PC – square	2 RONDO H1.2	3 PVD brass		
2 CH-RC – oval	7 BELCANTO-Panik H3.1	7 Traffic white**		
3 CH-RC – square	8 BELCANTO-Panik H3.2	8 Satin stainless steel		
4 Without PC hole – oval	A OFFICE H4.2	**RAL 9016		
5 Without PC hole – square	C LEGATO H5.2			
6 Without key escutcheon – oval	E TREMOLO H6.2			
7 Without key escutcheon – square	G DIRIGENT H7.2			

Active leaf: half lever set with long backplate

Order number*				
B-72140-□□-0-□				
□ Cylinder hole-type – backplate design	□ Lever handle model	□ Finish		
4 Without PC hole – round	1 RONDO H1.1	1 Silver/EV1 look		
5 Without PC hole – square	2 RONDO H1.2	3 PVD brass		
6 PC 92 mm – round	7 BELCANTO-Panik H3.1	7 Traffic white**		
7 PC 92 mm – square	8 BELCANTO-Panik H3.2	8 Satin stainless steel		
8 CH-RC 94 mm – round	A OFFICE H4.2	**RAL 9016		
9 CH-RC 94 mm – square	C LEGATO H5.2			
	E TREMOLO H6.2			
	G DIRIGENT H7.2			

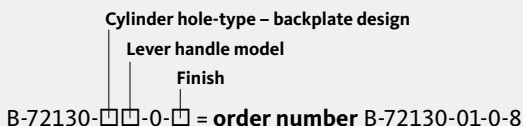
Active leaf: panic exit device according to EN 1125

Part number				
Locking component	Cylinder hole-type	Aluminium F1	Satin stainless steel	See page
Push bar	PC 92 mm	B-74000-30-0-1N	B-74000-30-0-8	436
	CH-RC 94 mm	B-74000-40-0-1N	B-74000-40-0-8	436
Crossbar	Length	Aluminium F1	Satin stainless steel	See page
	1150 mm	B 7100 4274	B 7100 4204	436
Locking component	Length	Aluminium F1	Satin stainless steel	See page
Touch bar	1158 mm	B-74410-02-0-1	B-74410-02-0-8	432

Accessories: spindles and screws see from page 456 – **more information** about the lever handle sets from page 12

*Ordering example

Active leaf: half lever set with rosettes = B-72130-□□-0-□
 Cylinder hole-type – backplate design = PC – oval = 0 [refer to table]
 Lever handle model = RONDO H1.1 = 1 [refer to table]
 Finish = 8 = satin stainless steel [refer to table]



Combination RPES 105

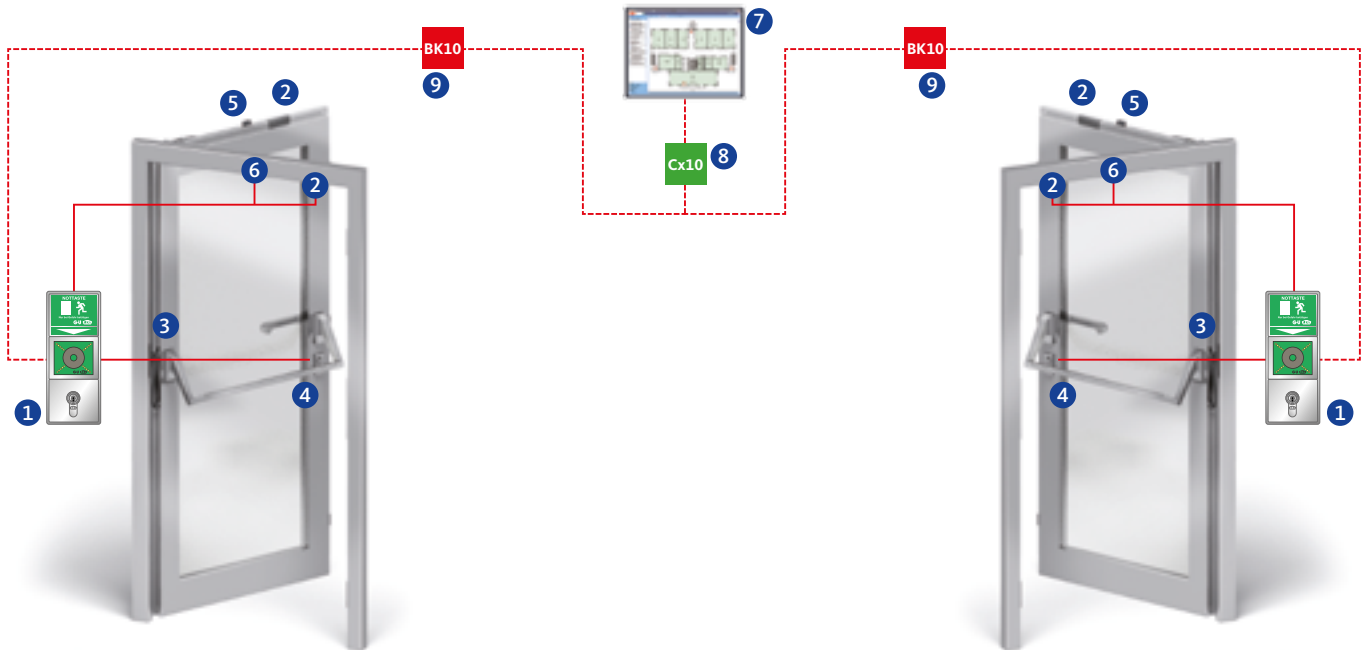
Panic function, single-leaf, SECURITY



Escape door locking

Centralised control and visualisation

Escape door locking



Monitoring contacts

Product	Cylinder cam monitoring	Latch monitoring	Deadbolt monitoring	Follower monitoring	Electrically coupled exterior lever handle	Combinable with electric strike	With A-opener (motor)
6-B1910-xx-x	■	■	-	■	-	-	■

Escape door locking

No.	Product	Description	See page
1	B 5580 09xx	Escape door terminal set with integral power supply unit	462
2	B 5469 0010	Door contact	473
3	6-xxxxx-xx-x-x	Cable link	424
4	B 5490 0300	Connecting cable for electrically coupled lock or lock monitoring	427
5	B 5495 0010	Latch lock	470
6	B 5465 xxxx	Electric escape door strike	470

Centralised control and visualisation

No.	Product	Description	See page
7	B 5580 0521	BKS-NET system software Online visualisation module OV10 (licence)	475
8	B 5580 0421	CU10 building bus coupler (USB interface)	477
9	B 5580 0411	BK10 in-wall bus coupler (without frame/cover)	477

Door closers

For detailed order information please refer to our door closer order catalogue.

Combination RPE 125

Panic function, single-leaf



Inside



Outside



Functional description

Inside

The door can be opened by the push bar at any time (panic function). With series 18, the door is locked with the key. With series 19, the door locks automatically without a key.
– Panic function E

Outside

The door can only be unlocked with the key.
With series 18, the door is locked with the key.
With series 19, the door locks automatically without a key.

Possible applications

- Escape doors to EN 1125 in public buildings
- Suitable for fire and smoke protection doors
- As the fixed knob or push/pull handle is on the outside, access from the outside is only possible using the key
- Optional combination with electric access control and/or escape door security components (see the following pages)

Recommendation

- Doors on transformer stations and boiler rooms
- Lift
- Underground car parks
- Entrance doors for warehouses and office buildings
- Homes for the elderly and residential homes

Combination RPE 125

Panic function, single-leaf



Active leaf:

① = Panic lock

② = Striker



Active leaf						
No.	Product	Backset [mm]	Panic function E Faceplate 24 x 3 x 270 mm Non-handed	U-faceplate 24 x 6 x 2 x 268 mm Non-handed	Additional PC/CH-RC versions see page	
1	1826	35	B-18260-01-U-8	B-18260-18-U-8	252	
		40	B-18260-02-U-8	B-18260-41-U-8	252	
		45	B-18260-03-U-8	B-18260-22-U-8	252	
		Product	Backset [mm]	Panic function E Faceplate 24 x 3 x 270 mm Non-handed	U-faceplate 24 x 6 x 2 x 268 mm Non-handed	Additional PC/CH-RC versions see page
	1916	35	B-19160-00-U-8	B-19160-13-U-8	326	
		40	B-19160-01-U-8	B-19160-14-U-8	326	
		45	B-19160-02-U-8	B-19160-15-U-8	326	
	1916 with latch holdback	35	B-19160-37-U-8	B-19160-43-U-8	326	
		40	B-19160-38-U-8	B-19160-44-U-8	326	
		45	B-19160-39-U-8	B-19160-45-U-8	326	
		Product	Backset [mm]	Panic function E Faceplate 24 x 3 x 245 mm DIN LH	DIN RH	Additional PC/CH-RC versions see page
	1316	35	B 1316 0243	B 1316 0244	216	
		40	B 1316 0245	B 1316 0246	216	
		45	B 1316 0247	B 1316 0248	216	

Frame						
Striker						
No.	Product			See page	Product	See page
2	Flat striker	Non-handed	B-90000-04-0-8 (series 18)	390	B-90000-00-0-8 (series 19)	390
			B-90000-58-L-8	391	B-90000-52-L-8	392
	Lipped striker	DIN LH	B-90000-58-R-8		B-90000-52-R-8	

Combination RPE 125

Panic function, single-leaf



Inside



Outside

Active leaf: half knob set with rosette

Order number*				
B-72630-□□-0-□				
□ Cylinder hole-type – backplate design	□ Lever handle model	□ Finish		
0 PC – oval	0 Round knob K1.0	1	Silver/EV1 look	
1 PC – square	1 Round knob K1.1	3	PVD brass	
2 CH-RC – oval	2 Ball knob K2.0	7	Traffic white**	
3 CH-RC – square	3 Ball knob K2.1	8	Satin stainless steel	
4 Without PC hole – oval			**RAL 9016	
5 Without PC hole – square				
6 Without key escutcheon – oval				
7 Without key escutcheon – square				

Active leaf: half knob set with long backplate

Order number*				
B-72640-□□-0-□				
□ Cylinder hole-type – backplate design	□ Lever handle model	□ Finish		
4 Without PC hole – round	0 Round knob K1.0	1	Silver/EV1 look	
5 Without PC hole – square	1 Round knob K1.1	3	PVD brass	
6 PC 92 mm – round	2 Ball knob K2.0	7	Traffic white**	
7 PC 92 mm – square	3 Ball knob K2.1	8	Satin stainless steel	
8 CH-RC 94 mm – round				
9 CH-RC 94 mm – square				

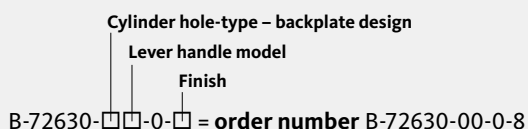
Active leaf: panic exit device according to EN 1125

Part number				
Locking component	Cylinder hole-type	Aluminium F1	Satin stainless steel	See page
Push bar	PC 92 mm	B-74000-30-0-1N	B-74000-30-0-8	436
	CH-RC 94 mm	B-74000-40-0-1N	B-74000-40-0-8	436
Crossbar	Length	Aluminium F1	Satin stainless steel	See page
	1150 mm	B 7100 4274	B 7100 4204	436
Locking component	Length	Aluminium F1	Satin stainless steel	See page
Touch bar	1158 mm	B-74410-02-0-1	B-74410-02-0-8	432

Accessories: spindles and screws see from page 456 – **more information** about the lever handle sets from page 12

*Ordering example

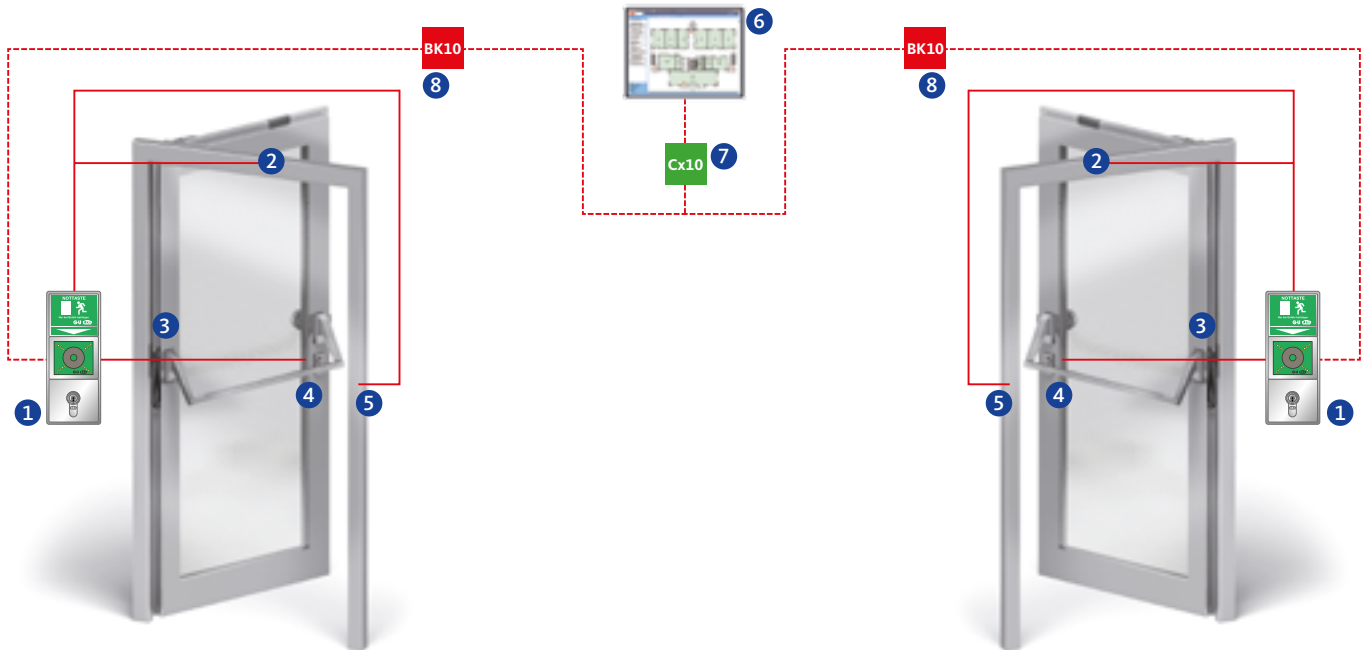
Active leaf: half knob set with rosette = B-72630-□□-0-□
 Cylinder hole-type – backplate design = PC – oval = 0 [refer to table]
 Lever handle model = round knob K1.0 = 0 [refer to table]
 Finish = 8 = satin stainless steel [refer to table]



Escape door locking

Centralised control and visualisation

Escape door locking



Monitoring contacts

Product	Cylinder cam monitoring	Latch monitoring	Deadbolt monitoring	Follower monitoring	Electrically coupled exterior lever handle	Combinable with electric strike
1826	■	■	■	■	–	■
1916	■	■	–	■	–	–
1926 EVP	■	–	–	–	–	–

Escape door locking

No.	Product	Description	See page
1	B 5580 09xx	Escape door terminal set with integral power supply unit	462
2	B 5469 0010	Door contact	473
3	6-xxxxx-xx-x-x	Cable link	424
4	B 5490 xxxx	Connecting cable for electrically coupled lock or lock monitoring	427
5	B 5465 040x	Electric escape door strike	422

Centralised control and visualisation

No.	Product	Description	See page
6	B 5580 0521	BKS-NET system software Online visualisation module OV10 (licence)	475
7	B 5580 0421	CU10 building bus coupler (USB interface)	477
8	B 5580 0411	BK10 in-wall bus coupler (without frame/cover)	477

Door closers

For detailed order information please refer to our door closer order catalogue.

Combination RPEO 425

Panic function, single-leaf, top-locking



Inside



Outside

Functional description

Inside

The door can be opened by the push bar at any time (panic function). With series 18, the door is locked with the key. With series 19, the door locks automatically without a key.
– Panic function E

Outside

The door can only be unlocked with the key.
With series 18, the door is locked with the key.
With series 19, the door locks automatically without a key.

Possible applications

- Escape doors to EN 1125 in public buildings
- Suitable for fire and smoke protection doors
- As the fixed knob or push/pull handle is on the outside, access from the outside is only possible using the key
- Suitable for very high entrance doors with a tendency to warp (only by agreement with the door fabricator and in compliance with approvals)
- Enhanced burglar protection and gasket pressure thanks to the additional top-locking
- Optional combination with electric access control and/or escape door security components (see the following pages)

Recommendation

- Doors on transformer stations and boiler rooms
- Lift
- Underground car parks
- Entrance doors for warehouses and office buildings
- Homes for the elderly and residential homes

Combination RPEO 425

Panic function, single-leaf, top-locking



Active leaf:

- ① = Panic lock with top-locking
- ② = Spring-operated top latch
- ③ = Vertical rod
- ④ = Striker



Active leaf						
No.	Product	Backset [mm]	Panic function E Faceplate 24 x 3 x 270 mm Non-handed		Additional PC/CH-RC versions see page	
1	1836	35	B-18360-02-U-8		268	
		40	B-18360-04-U-8		268	
		45	B-18360-06-U-8		268	
	1906 Self-locking	35, 40, 45	Panic function E Faceplate 24 x 3 x 270 mm Non-handed		U-faceplate 24 x 6 x 2 x 268 mm Non-handed	Additional PC/CH-RC versions see page
			B-19060-00-U-8	B-19060-06-U-8	314	
			B-19060-01-U-8	B-19060-07-U-8	314	
		B-19060-02-U-8	B-19060-08-U-8	314		
2	1795	35, 40, 45	B 1795 0001		381	
3	9006	35, 40, 45	Rod length	1385 mm	B 9006 0022	408
				1500 mm	B 9006 0013	408

Frame						
Striker						
No.	Product			See page	Product	See page
4	Flat striker	Non-handed	B-90000-04-0-8 (series 18)	390	B-90000-00-0-8 (series 19)	390
	Lipped striker	DIN LH	B-90000-58-L-8	391	B-90000-52-L-8	392
		DIN RH	B-90000-58-R-8		B-90000-52-R-8	
	Lipped striker for 1795	Non-handed	B 9000 0567	396		

Combination RPEO 425

Panic function, single-leaf, top-locking



Inside



Outside

Active leaf: half knob set with rosette

Order number*				
B-72630-□□-0-□				
□ Cylinder hole-type – backplate design	□ Lever handle model	□ Finish		
0 PC – oval	0 Round knob K1.0	1	Silver/EV1 look	
1 PC – square	1 Round knob K1.1	3	PVD brass	
2 CH-RC – oval	2 Ball knob K2.0	7	Traffic white**	
3 CH-RC – square	3 Ball knob K2.1	8	Satin stainless steel	
4 Without PC hole – oval		**RAL 9016		
5 Without PC hole – square				
6 Without key escutcheon – oval				
7 Without key escutcheon – square				

Active leaf: half knob set with long backplate

Order number*				
B-72640-□□-0-□				
□ Cylinder hole-type – backplate design	□ Lever handle model	□ Finish		
4 Without PC hole – round	0 Round knob K1.0	1	Silver/EV1 look	
5 Without PC hole – square	1 Round knob K1.1	3	PVD brass	
6 PC 92 mm – round	2 Ball knob K2.0	7	Traffic white**	
7 PC 92 mm – square	3 Ball knob K2.1	8	Satin stainless steel	
8 CH-RC 94 mm – round		**RAL 9016		
9 CH-RC 94 mm – square				

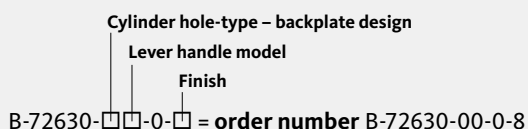
Active leaf: panic exit device according to EN 1125

Part number				
Locking component	Cylinder hole-type	Aluminium F1	Satin stainless steel	See page
Push bar	PC 92 mm	B-74000-30-0-1N	B-74000-30-0-8	436
	CH-RC 94 mm	B-74000-40-0-1N	B-74000-40-0-8	436
Crossbar	Length	Aluminium F1	Satin stainless steel	See page
	1150 mm	B 7100 4274	B 7100 4204	436
Locking component	Length	Aluminium F1	Satin stainless steel	See page
Touch bar	1158 mm	B-74410-02-0-1	B-74410-02-0-8	432

Accessories: spindles and screws see from page 456 – **more information** about the lever handle sets from page 12

*Ordering example

Active leaf: half knob set with rosette = B-72630-□□-0-□
 Cylinder hole-type – backplate design = PC – oval = 0 [refer to table]
 Lever handle model = round knob K1.0 = 0 [refer to table]
 Finish = 8 = satin stainless steel [refer to table]



Combination RPEO 425

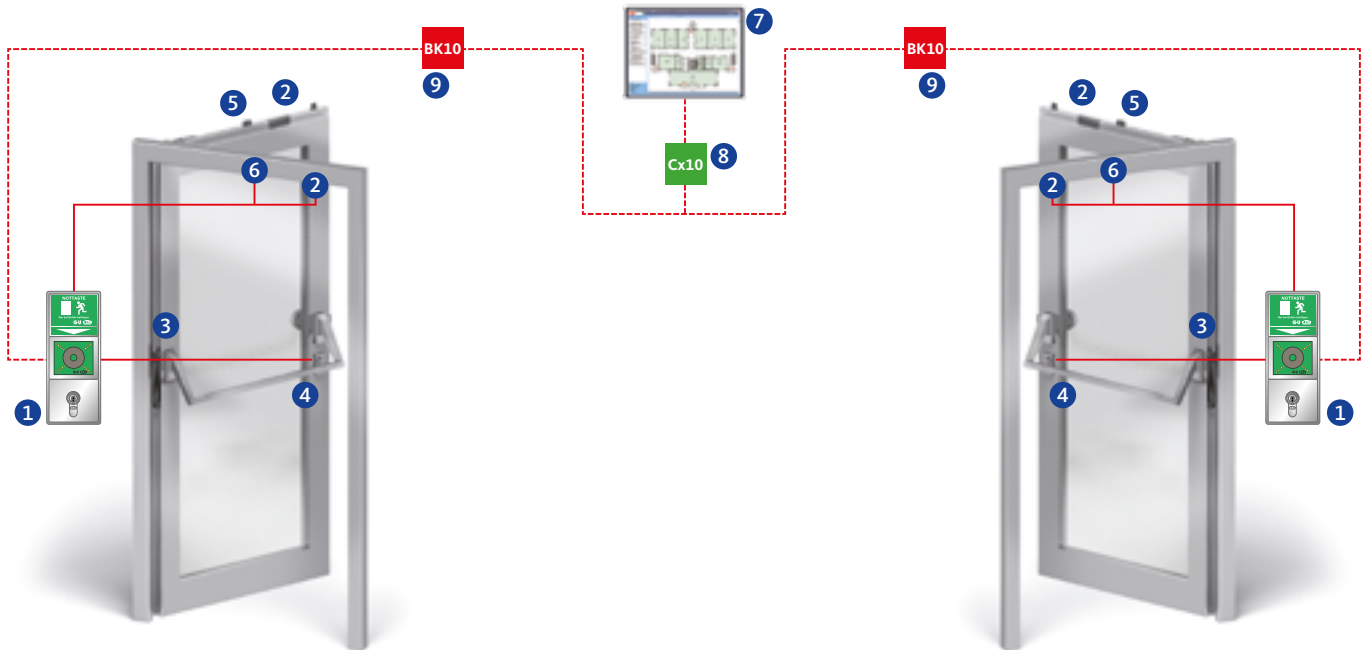
Panic function, single-leaf, top-locking



Escape door locking

Centralised control and visualisation

Escape door locking



Monitoring contacts

Product	Cylinder cam monitoring	Latch monitoring	Deadbolt monitoring	Follower monitoring	Electrically coupled exterior lever handle	Combinable with electric strike
1836	■	■	■	■	-	■
1906	■	■	-	■	-	-

Escape door locking

No.	Product	Description	See page
1	B 5580 09xx	Escape door terminal set with integral power supply unit	462
2	B 5469 0010	Door contact	473
3	6-xxxxx-xx-x-x	Cable link	424
4	B 5490 xxxx	Connecting cable for electrically coupled lock or lock monitoring	427
5	B 5495 0010	Latch lock	470
6	B 5465 xxxx	Electric escape door strike	470

Centralised control and visualisation

No.	Product	Description	See page
7	B 5580 0521	BKS-NET system software Online visualisation module OV10 (licence)	475
8	B 5580 0421	CU10 building bus coupler (USB interface)	477
9	B 5580 0411	BK10 in-wall bus coupler (without frame/cover)	477

Door closers

For detailed order information please refer to our door closer order catalogue.

Combination RPES 125

Panic function, single-leaf, SECURITY



Inside



Outside

Functional description

Inside

The door can be opened by the push bar at any time (panic function). With a SECURITY lock, the door is automatically locked without having to use the key.

– Panic function E

Outside

The door can only be unlocked with the key. With a SECURITY lock, the door is automatically locked without having to use the key.

Possible applications

- Escape doors to EN 1125 in public buildings
- Suitable for fire and smoke protection doors
- As the fixed knob or push/pull handle is on the outside, access from the outside is only possible using the key
- Suitable for very high entrance doors with a tendency to warp (only by agreement with the door fabricator and in compliance with approvals)
- Automatic multi-point locking
- Enhanced burglar protection and gasket pressure thanks to the additional locking
- Especially suitable in combination with an electric A-opener for use with intercoms on entrance doors (remote opening) and automatic swing-door drives (barrier-free)
- Optional combination with electric access control and/or escape door security components (see the following pages)

Recommendation

- Doors on transformer stations and boiler rooms
- Lift
- Underground car parks
- Entrance doors for warehouses and office buildings
- Homes for the elderly and residential homes

Combination RPES 125

Panic function, single-leaf, SECURY



Active leaf:

- ① = SECURY panic lock
- ② = Latchbolt striker



Active leaf					
No.	Product	Backset [mm]	Panic function E		Additional PC/CH-RC versions see page
			Faceplate 24 x 3 x 1750 mm Non-handed	U-faceplate 24 x 6 x 2 x 1750 mm Non-handed	
1	1916 SECURY	35	6-B1916-04-L-8	6-B1916-01-L-8	364
		40	6-B1916-14-L-8	6-B1916-09-L-8	364
		45	6-B1916-08-L-8	6-B1916-06-L-8	364

Frame				
Latchbolt striker				
No.	Product			See page
2	Lipped striker	Non-handed	B 9000 0911	399
	Striker	Non-handed	9-43501-xx-0-8	397

Combination RPES 125

Panic function, single-leaf, SECURITY



Inside



Outside

Active leaf: half knob set with rosette

Order number*			
B-72630-□□-0-□			
□ Cylinder hole-type – backplate design	□ Lever handle model	□ Finish	
0 PC – oval	0 Round knob K1.0	1	Silver/EV1 look
1 PC – square	1 Round knob K1.1	3	PVD brass
2 CH-RC – oval	2 Ball knob K2.0	7	Traffic white**
3 CH-RC – square	3 Ball knob K2.1	8	Satin stainless steel
4 Without PC hole – oval			**RAL 9016
5 Without PC hole – square			
6 Without key escutcheon – oval			
7 Without key escutcheon – square			

Active leaf: half knob set with long backplate

Order number*			
B-72640-□□-0-□			
□ Cylinder hole-type – backplate design	□ Lever handle model	□ Finish	
4 Without PC hole – round	0 Round knob K1.0	1	Silver/EV1 look
5 Without PC hole – square	1 Round knob K1.1	3	PVD brass
6 PC 92 mm – round	2 Ball knob K2.0	7	Traffic white**
7 PC 92 mm – square	3 Ball knob K2.1	8	Satin stainless steel
8 CH-RC 94 mm – round			**RAL 9016
9 CH-RC 94 mm – square			

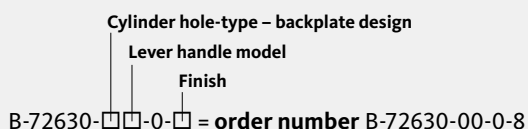
Active leaf: panic exit device according to EN 1125

Part number				
Locking component	Cylinder hole-type	Aluminium F1	Satin stainless steel	See page
Push bar	PC 92 mm	B-74000-30-0-1N	B-74000-30-0-8	436
	CH-RC 94 mm	B-74000-40-0-1N	B-74000-40-0-8	436
Crossbar	Length	Aluminium F1	Satin stainless steel	See page
	1150 mm	B 7100 4274	B 7100 4204	436
Locking component	Length	Aluminium F1	Satin stainless steel	See page
Touch bar	1158 mm	B-74410-02-0-1	B-74410-02-0-8	432

Accessories: spindles and screws see from page 456 – **more information** about the lever handle sets from page 12

*Ordering example

Active leaf: half knob set with rosette = B-72630-□□-0-□
 Cylinder hole-type – backplate design = PC – oval = 0 [refer to table]
 Lever handle model = round knob K1.0 = 0 [refer to table]
 Finish = 8 = satin stainless steel [refer to table]



Combination RPES 125

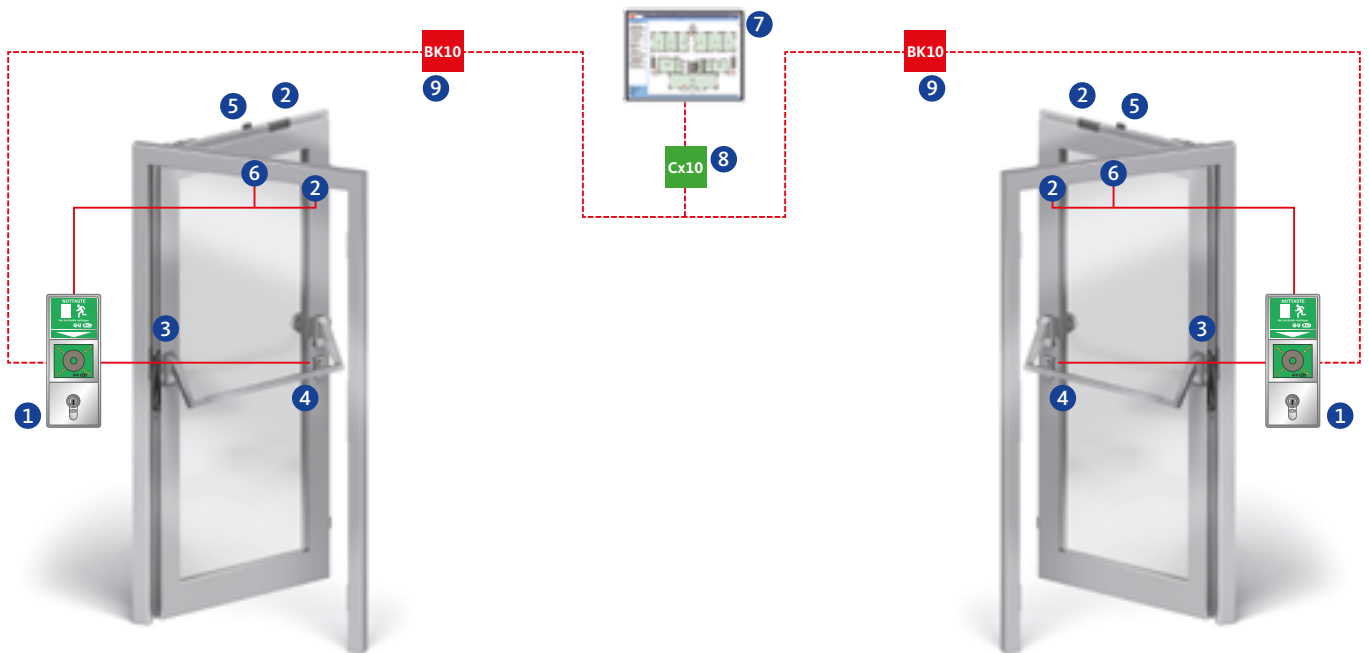
Panic function, single-leaf, SECURITY



Escape door locking

Centralised control and visualisation

Escape door locking



Monitoring contacts

Product	Cylinder cam monitoring	Latch monitoring	Deadbolt monitoring	Follower monitoring	Electrically coupled exterior lever handle	Combinable with electric strike	With A-opener (motor)
6-B1916-xx-x	■	■	-	■	-	-	■

Escape door locking

No.	Product	Description	See page
1	B 5580 09xx	Escape door terminal set with integral power supply unit	462
2	B 5469 0010	Door contact	473
3	6-xxxxx-xx-x-x	Cable link	424
4	B 5490 0300	Connecting cable for electrically coupled lock or lock monitoring	427
5	B 5495 0010	Latch lock	470
6	B 5465 xxxx	Electric escape door strike	470

Centralised control and visualisation

No.	Product	Description	See page
7	B 5580 0521	BKS-NET system software Online visualisation module OV10 (licence)	475
8	B 5580 0421	CU10 building bus coupler (USB interface)	477
9	B 5580 0411	BK10 in-wall bus coupler (without frame/cover)	477

Door closers

For detailed order information please refer to our door closer order catalogue.

Combination RPZA 110

Panic function, double-leaf, automatic locking of passive leaf



Functional description

Active leaf

Inside

The active leaf can be opened by the lever handle at any time (panic function). With series 18, the door is locked with the key. With series 19, the door locks automatically without a key.

Outside

The active leaf is opened using the key and lever handle.
 With series 18, the door is locked with the key.
 With series 19, the door locks automatically without a key.

- Panic function B
- Panic function C
- Panic function D (not with series 19)

Passive leaf

Inside

Active and passive leaf can be opened by the vertical lever at any time (panic function on both leaves). Upon closing, the passive leaf is locked automatically via the vertical rods. If the door is opened by the passive leaf, the carrier bar ensures that the active leaf is carried along far enough to activate the door-leaf coordinator, so the leaves can close in the appropriate sequence. This also guarantees that the two leaves cannot jam, not even with a small clearance. The closing sequence of the door is controlled by the door-leaf coordinator integrated in the door closer.

Possible applications

- Emergency exits to EN 179 in areas not accessible to the public
- Suitable for fire and smoke protection doors
- As the lever handle is on the outside, the door can be used as a connecting door from both sides depending on the particular panic function
- Optional combination with electric access control and/or escape door security components (see the following pages)

Recommendation

- Entrance doors to administrative and office buildings
- Homes for the elderly
- Service doors
- Museums
- Airports
- Stadiums
- Administrative areas

Combination RPZA 110

Panic function, double-leaf, automatic locking of passive leaf



Active leaf:

1 = Panic lock



Passive leaf:

- 2 = Shoot-bolt lock
- 3 = Passive-leaf control lock
- 4 = Vertical rod
- 5 = Solid vertical rod
- 6 = Striker
- 7 = Floor striker
- 8 = Guide plate for vertical rod

Active leaf

No.	Product	Backset [mm]	Panic function B Faceplate 24 x 3 x 270 mm Non-handed	Panic function C Faceplate 24 x 3 x 270 mm Non-handed	Panic function D Faceplate 24 x 3 x 270 mm Non-handed	Additional PC/CH-RC versions see page	
1	1821 B 1823 C 1825 D	35	B-18210-01-L-8	B-18230-02-L-8	B-18250-01-L-8	242 / 246 / 250	
		40	B-18210-02-L-8	B-18230-03-L-8	B-18250-02-L-8	242 / 246 / 250	
		45	B-18210-03-L-8	B-18230-04-L-8	B-18250-03-L-8	242 / 246 / 250	
	1971 Electrically coupled	Product	Backset [mm]	Latch lever function Faceplate 24 x 3 x 270 mm Non-handed			Additional PC/CH-RC versions see page
				U-faceplate 24 x 6 x 2 x 268 mm Non-handed			
				35	B-19710-00-U-8		
	40	B-19710-02-U-8	B-19710-13-U-8	340			
	45	B-19710-04-U-8	B-19710-14-U-8	340			
	1911 B 1913 C	Product	Backset [mm]	Panic function B Faceplate 24 x 3 x 270 mm Non-handed		Panic function C Faceplate 24 x 3 x 270 mm Non-handed	Additional PC/CH-RC versions see page
				U-faceplate 24 x 6 x 2 x 268 mm Non-handed			
35				B-19110-00-U-8	B-19110-10-U-8		
40	B-19110-01-U-8	B-19110-11-U-8	B-19130-01-U-8	320 / 324			
45	B-19110-02-U-8	B-19110-12-U-8	B-19130-02-U-8	320 / 324			

Passive leaf

No.	Product	Backset [mm]	Faceplate 24 x 3 x 310 mm		Additional versions see page				
			DIN LH	DIN RH					
2	1793 prepared for electric strike	35	B 1793 6001	B 1793 6000	236				
		40	B 1793 6005	B 1793 6004	236				
		45	B 1793 6007	B 1793 6006	236				
	1890 for series 18 1990 for series 19	Product	Backset [mm]	Faceplate 24 x 3 x 270 mm Non-handed		Additional versions see page			
				35	B-18900-01-0-8		B-19900-01-0-8	294	346
				40	B-18900-02-0-8		B-19900-02-0-8	294	346
45	B-18900-03-0-8	B-19900-03-0-8	294	346					
3	1895	30-45	B 1895 0003		382				
4	9006	With end plug	B 9006 0013		408				
5	9006	Solid	B 9006 0004		408				
6	9000	For 1895	B 9000 0490		396				
7	9009/B-0028	-	B 9009 0001 or B-00280-20-0-8		410				
8	9019	-	B 9019 0001		411				

Combination RPZA 110

Panic function, double-leaf, automatic locking of passive leaf



Inside



Outside

Active leaf: lever set with rosettes

Order number*			
B-72030-□□-0-□			
□ Cylinder hole-type – backplate design	□ Lever handle model	□ Finish	
0 PC – oval	1 RONDO H1.1	1	Silver/EV1 look
1 PC – square	2 RONDO H1.2	3	PVD brass
2 CH-RC – oval	7 BELCANTO-Panik H3.1	7	Traffic white**
3 CH-RC – square	8 BELCANTO-Panik H3.2	8	Satin stainless steel
4 Without PC hole – oval	A OFFICE H4.2	**RAL 9016	
5 Without PC hole – square	C LEGATO H5.2		
6 Without key escutcheon – oval	E TREMOLO H6.2		
7 Without key escutcheon – square	G DIRIGENT H7.2		

Active leaf: lever set with long backplates

Order number*			
B-72040-□□-0-□			
□ Cylinder hole-type – backplate design	□ Lever handle model	□ Finish	
4 Without PC hole – round	1 RONDO H1.1	1	Silver/EV1 look
5 Without PC hole – square	2 RONDO H1.2	3	PVD brass
6 PC 92 mm – round	7 BELCANTO-Panik H3.1	7	Traffic white**
7 PC 92 mm – square	8 BELCANTO-Panik H3.2	8	Satin stainless steel
8 CH-RC 94 mm – round	A OFFICE H4.2	**RAL 9016	
9 CH-RC 94 mm – square	C LEGATO H5.2		
	E TREMOLO H6.2		
	G DIRIGENT H7.2		

Passive leaf: vertical lever with rosette

Order number*			
B-72930-□□-0-□			
□ Cylinder hole-type – backplate design	□ Lever handle model	□ Finish	
0 Without PC hole – oval	1 RONDO H1.1	1	Silver/EV1 look
1 Without PC hole – square	2 RONDO H1.2	3	PVD brass
	7 BELCANTO-Panik H3.1	7	Traffic white**
	8 BELCANTO-Panik H3.2	8	Satin stainless steel
	A OFFICE H4.2	**RAL 9016	
	C LEGATO H5.2		
	E TREMOLO H6.2		
	G DIRIGENT H7.2		

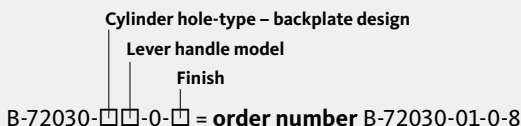
Passive leaf: vertical lever with long backplate

Order number*			
B-72940-□□-0-□			
□ Cylinder hole-type – backplate design	□ Lever handle model	□ Finish	
0 Without PC hole – round	0 RONDO H1.0	1	Silver/EV1 look
1 Without PC hole – square	1 RONDO H1.1	3	PVD brass
	7 BELCANTO-Panik H3.1	7	Traffic white**
	8 BELCANTO-Panik H3.2	8	Satin stainless steel
	A OFFICE H4.2	**RAL 9016	
	C LEGATO H5.2		
	E TREMOLO H6.2		
	G DIRIGENT H7.2		

Accessories: spindles and screws see from page 456 – more information about the lever handle sets from page 12

***Ordering example**

Active leaf: lever set with rosettes = B-72030-□□-0-□
 Cylinder hole-type – backplate design = PC – oval = 0 [refer to table]
 Lever handle model = RONDO H1.1 = 1 [refer to table]
 Finish = 8 = satin stainless steel [refer to table]



Combination RPZA 110

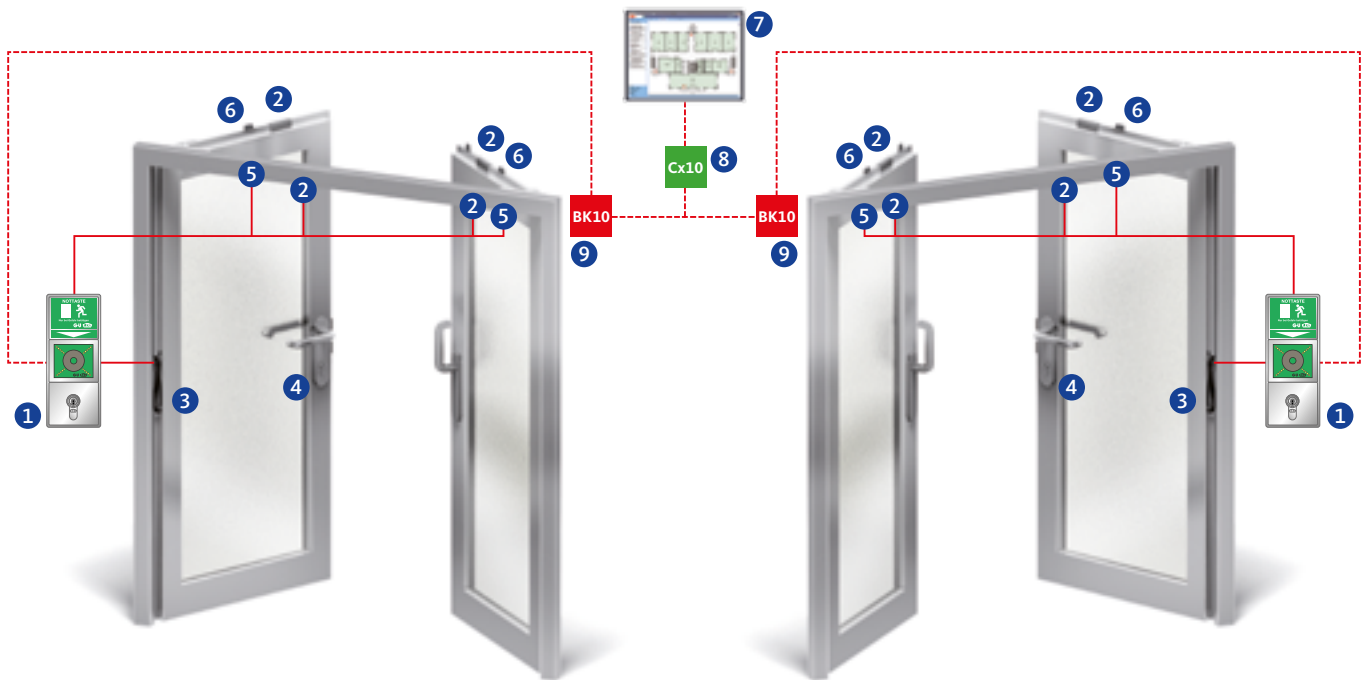
Panic function, double-leaf, automatic locking of passive leaf



Escape door locking

Centralised control and visualisation

Escape door locking



Monitoring contacts

Product	Cylinder cam monitoring	Latch monitoring	Deadbolt monitoring	Follower monitoring	Electrically coupled exterior lever handle	Combinable with electric strike
1821 / 1823 / 1825	■	■	■	■	-	■
1911	■	■	-	■	-	-
1913	■	■	-	■	-	-
1971	Including	Including	-	Including	■	-

Escape door locking

No.	Product	Description	See page
1	B 5580 09xx	Escape door terminal set with integral power supply unit	462
2	B 5469 0010	Door contact	473
3	6-xxxxx-xx-x-x	Cable link	424
4	B 5490 xxxx	Connecting cable for electrically coupled lock or lock monitoring	427
5	B 5465 xxxx	Electric escape door strike	470
6	B 5495 0010	Latch lock	470

Centralised control and visualisation

No.	Product	Description	See page
7	B 5580 0521	BKS-NET system software Online visualisation module OV10 (licence)	475
8	B 5580 0421	CU10 building bus coupler (USB interface)	477
9	B 5580 0411	BK10 in-wall bus coupler (without frame/cover)	477

Door closer/carrier bar

For detailed order information please refer to our door closer order catalogue.

Combination RPZA 110-M

Panic function, double-leaf, automatic locking of passive leaf, motor-driven opening



Functional description

Active leaf

Inside

The active leaf can be opened by the lever handle at any time (panic function). With series 18, the door is locked with the key. With series 19, the door locks automatically without a key.

Outside

The active leaf is opened using the key and lever handle. With series 18, the door is locked with the key. With series 19, the door locks automatically without a key.

- Panic function B
- Panic function C
- Panic function D (not with series 19)

Passive leaf

Inside

Active and passive leaf can be opened by the vertical lever at any time (panic function on both leaves). Upon closing, the passive leaf is locked automatically via the vertical rods. If the door is opened by the passive leaf, the carrier bar ensures that the active leaf is carried along far enough to activate the door-leaf coordinator, so the leaves can close in the appropriate sequence. This also guarantees that the two leaves cannot jam, not even with a small clearance. The closing sequence of the door is controlled by the door-leaf coordinator integrated in the door closer.

Possible applications

- Emergency exits to EN 179 in non-public areas, in conjunction with a swing-door drive
- Suitable for fire and smoke protection doors
- As the lever handle is on the outside, the door can be used as a connecting door from both sides depending on the particular panic function
- Optional combination with electric access control and/or escape door security components (see the following pages)

Recommendation

- Entrance doors to administrative and office buildings
- Homes for the elderly
- Museums
- Airports
- Administrative areas

Combination RPZA 110-M

Panic function, double-leaf, automatic locking of passive leaf, motor-driven opening



Active leaf:

1 = Panic lock



Passive leaf:

- 2 = Motor-driven shoot-bolt lock
- 3 = Passive-leaf control lock
- 4 = Vertical rod
- 5 = Solid vertical rod
- 6 = Striker
- 7 = Floor striker
- 8 = Guide plate for vertical rod

Active leaf								
No.	Product	Backset [mm]	Panic function B Faceplate 24 x 3 x 270 mm Non-handed	Panic function C Faceplate 24 x 3 x 270 mm Non-handed	Panic function D Faceplate 24 x 3 x 270 mm Non-handed	Additional PC/CH-RC versions see page		
1	1821 B 1823 C 1825 D	35	B-18210-01-L-8	B-18230-02-L-8	B-18250-01-L-8	242 / 246 / 250		
		40	B-18210-02-L-8	B-18230-03-L-8	B-18250-02-L-8	242 / 246 / 250		
		45	B-18210-03-L-8	B-18230-04-L-8	B-18250-03-L-8	242 / 246 / 250		
	Product	Backset [mm]	Latch lever function Faceplate 24 x 3 x 270 mm Non-handed		U-faceplate 24 x 6 x 2 x 268 mm Non-handed		Additional PC/CH-RC versions see page	
			1971 Electrically coupled	35	B-19710-00-U-8	B-19710-11-U-8		340
				40	B-19710-02-U-8	B-19710-13-U-8		340
		45	B-19710-04-U-8	B-19710-14-U-8		340		
	Product	Backset [mm]	Panic function B Faceplate 24 x 3 x 270 mm Non-handed		U-faceplate 24 x 6 x 2 x 268 mm Non-handed	Panic function C Faceplate 24 x 3 x 270 mm Non-handed	Additional PC/CH-RC versions see page	
			1911	35	B-19110-00-U-8	B-19110-10-U-8	-	320
				40	B-19110-01-U-8	B-19110-11-U-8	-	320
		45	B-19110-02-U-8	B-19110-12-U-8	-	320		
	1913	35	-	-	-	B-19130-00-U-8	324	
		40	-	-	-	B-19130-01-U-8	324	
		45	-	-	-	B-19130-02-U-8	324	

Passive leaf							
No.	Product		Backset [mm]	Faceplate 24 x 3 x 410 mm		Additional versions see page	
				Non-handed	Non-handed		
2	1893 for series 18	1993 for series 19	35	B-18930-00-0-8	B-19930-00-0-8	300	348
			40	B-18930-01-0-8	B-19930-01-0-8	300	348
			45	B-18930-02-0-8	B-19930-02-0-8	300	348
3	1895		30-45	B 1895 0003		382	
4	9006		With end plug	B 9006 0013		408	
5	9006		Solid	B 9006 0004		408	
6	9000		For 9006	B 9000 0490		396	
7	9009/B-0028		-	B 9009 0001 or B-00280-20-0-8		410	
8	9019		-	B 9019 0001		411	

Combination RPZA 110-M

Panic function, double-leaf, automatic locking of passive leaf, motor-driven opening



Inside



Outside

Active leaf: lever set with rosettes

Order number*			
B-72030-□□-0-□			
□ Cylinder hole-type – backplate design	□ Lever handle model	□ Finish	
0 PC – oval	1 RONDO H1.1	1	Silver/EV1 look
1 PC – square	2 RONDO H1.2	3	PVD brass
2 CH-RC – oval	7 BELCANTO-Panik H3.1	7	Traffic white**
3 CH-RC – square	8 BELCANTO-Panik H3.2	8	Satin stainless steel
4 Without PC hole – oval	A OFFICE H4.2	**RAL 9016	
5 Without PC hole – square	C LEGATO H5.2		
6 Without key escutcheon – oval	E TREMOLO H6.2		
7 Without key escutcheon – square	G DIRIGENT H7.2		

Active leaf: lever set with long backplates

Order number*			
B-72040-□□-0-□			
□ Cylinder hole-type – backplate design	□ Lever handle model	□ Finish	
4 Without PC hole – round	1 RONDO H1.1	1	Silver/EV1 look
5 Without PC hole – square	2 RONDO H1.2	3	PVD brass
6 PC 92 mm – round	7 BELCANTO-Panik H3.1	7	Traffic white**
7 PC 92 mm – square	8 BELCANTO-Panik H3.2	8	Satin stainless steel
8 CH-RC 94 mm – round	A OFFICE H4.2	**RAL 9016	
9 CH-RC 94 mm – square	C LEGATO H5.2		
	E TREMOLO H6.2		
	G DIRIGENT H7.2		

Passive leaf: vertical lever with rosette

Order number*			
B-72930-□□-0-□			
□ Cylinder hole-type – backplate design	□ Lever handle model	□ Finish	
0 Without PC hole – oval	1 RONDO H1.1	1	Silver/EV1 look
1 Without PC hole – square	2 RONDO H1.2	3	PVD brass
	7 BELCANTO-Panik H3.1	7	Traffic white**
	8 BELCANTO-Panik H3.2	8	Satin stainless steel
	A OFFICE H4.2	**RAL 9016	
	C LEGATO H5.2		
	E TREMOLO H6.2		
	G DIRIGENT H7.2		

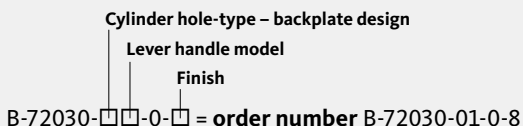
Passive leaf: vertical lever with long backplate

Order number*			
B-72940-□□-0-□			
□ Cylinder hole-type – backplate design	□ Lever handle model	□ Finish	
0 Without PC hole – round	0 RONDO H1.0	1	Silver/EV1 look
1 Without PC hole – square	1 RONDO H1.1	3	PVD brass
	7 BELCANTO-Panik H3.1	7	Traffic white**
	8 BELCANTO-Panik H3.2	8	Satin stainless steel
	A OFFICE H4.2	**RAL 9016	
	C LEGATO H5.2		
	E TREMOLO H6.2		
	G DIRIGENT H7.2		

Accessories: spindles and screws see from page 456 – more information about the lever handle sets from page 12

*Ordering example

Active leaf: lever set with rosettes = B-72030-□□-0-□
 Cylinder hole-type – backplate design = PC – oval = 0 [refer to table]
 Lever handle model = RONDO H1.1 = 1 [refer to table]
 Finish = 8 = satin stainless steel [refer to table]



Combination RPZA 110-M

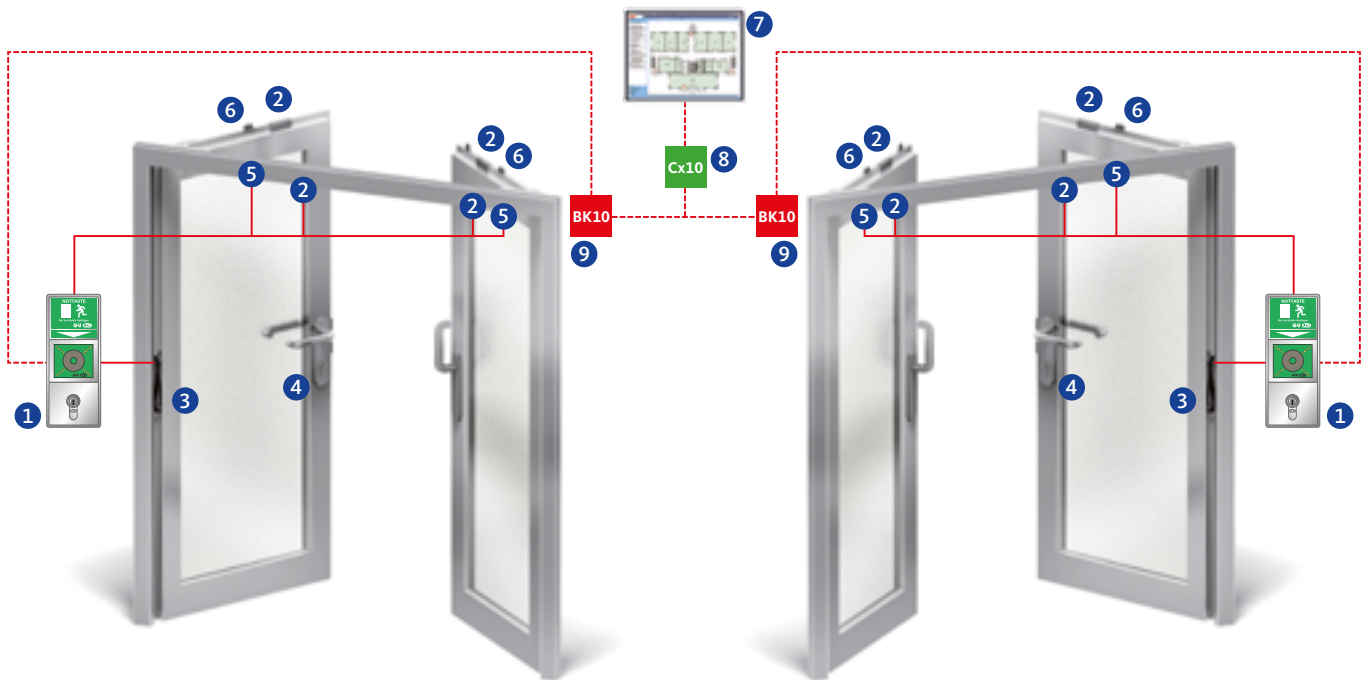
Panic function, double-leaf, automatic locking of passive leaf, motor-driven opening



Escape door locking

Centralised control and visualisation

Escape door locking



Monitoring contacts

Product	Cylinder cam monitoring	Latch monitoring	Deadbolt monitoring	Follower monitoring	Electrically coupled exterior lever handle	Combinable with electric strike
1821 / 1823 / 1825	■	■	■	■	-	■
1911	■	■	-	■	-	-
1913	■	■	-	■	-	-
1971	Including	Including	-	Including	■	-

Escape door locking

No.	Product	Description	See page
1	B 5580 09xx	Escape door terminal set with integral power supply unit	462
2	B 5469 0010	Door contact	473
3	6-xxxxx-xx-x-x	Cable link	424
4	B 5490 xxxx	Connecting cable for electrically coupled lock or lock monitoring	427
5	B 5465 xxxx	Electric escape door strike	470
6	B 5495 0010	Latch lock	470

Centralised control and visualisation

No.	Product	Description	See page
7	B 5580 0521	BKS-NET system software Online visualisation module OV10 (licence)	475
8	B 5580 0421	CU10 building bus coupler (USB interface)	477
9	B 5580 0411	BK10 in-wall bus coupler (without frame/cover)	477

Door closer/carrier bar

For detailed order information please refer to our door closer order catalogue.

Combination RPZO 110

Panic function, double-leaf, active leaf with top-locking



Inside



Outside

Functional description

Active leaf

Inside

The active leaf can be opened by the lever handle at any time (panic function). With series 18, the door is locked with the key. With series 19, the door locks automatically without a key.

Outside

The active leaf is opened using the key and lever handle.
 With series 18, the door is locked with the key.
 With series 19, the door locks automatically without a key.

- Panic function B
- Panic function C
- Panic function D (not with series 19)

Passive leaf

Inside

Active and passive leaf can be opened by the vertical lever at any time (panic function on both leaves). Upon closing, the passive leaf is locked automatically via the vertical rods. If the door is opened by the passive leaf, the carrier bar ensures that the active leaf is carried along far enough to activate the door-leaf coordinator, so the leaves can close in the appropriate sequence. This also guarantees that the two leaves cannot jam, not even with a small clearance. The closing sequence of the door is controlled by the door-leaf coordinator integrated in the door closer.

Possible applications

- Emergency exits to EN 179 in areas not accessible to the public
- Suitable for fire and smoke protection doors
- As the lever handle is on the outside, the door can be used as a connecting door from both sides depending on the particular panic function
- Suitable for very high entrance doors with a tendency to warp (only by agreement with the door fabricator and in compliance with approvals)
- Enhanced burglar protection and gasket pressure thanks to the additional top-locking
- Optional combination with electric access control and/or escape door security components (see the following pages)

Recommendation

- Hallway doors in office buildings
- Homes for the elderly
- Service doors
- Museums
- Airports
- Stadiums
- Administrative areas

Combination RPZO 110

Panic function, double-leaf, active leaf with top-locking



Active leaf:

- 1 = Panic lock with top-locking
- 2 = Spring-operated top latch
- 3 = Vertical top rod
- 8 = Striker



Passive leaf:

- 4 = Shoot-bolt lock
- 5 = Passive-leaf control lock
- 6 = Vertical rod
- 7 = Solid vertical rod
- 8 = Striker
- 9 = Floor striker
- 10 = Guide plate for vertical rod

Active leaf								
No.	Product	Backset [mm]	Panic function B Faceplate 24 x 3 x 270 mm Non-handed	Panic function C Faceplate 24 x 3 x 270 mm (320 mm) Non-handed	Panic function D Faceplate 24 x 3 x 270 mm Non-handed	Additional PC/CH-RC versions see page		
1	1831 B 1833 C 1835 D	35	B-18310-01-L-8	B-18330-01-L-8	B-18350-01-L-8	258 / 262 / 266		
		40	B-18310-02-L-8	B-18330-02-L-8	B-18350-02-L-8	258 / 262 / 266		
		45	B-18310-03-L-8	B-18330-03-L-8	B-18350-03-L-8	258 / 262 / 266		
	Product	Backset [mm]	Latch lever function Faceplate 24 x 3 x 320 mm Non-handed				Additional PC/CH-RC versions see page	
			35	B-19810-00-U-8			344	
			40	B-19810-02-U-8			344	
	1981 Electrically coupled	45	B-19810-03-U-8				344	
		Product	Backset [mm]	Panic function B Faceplate 24 x 3 x 270 mm Non-handed		Panic function C Faceplate 24 x 3 x 270 mm Non-handed		Additional PC/CH-RC versions see page
				U-faceplate 24 x 6 x 2 x 268 mm Non-handed	U-faceplate 24 x 6 x 2 x 268 mm Non-handed	Faceplate 24 x 3 x 270 mm Non-handed	Faceplate 24 x 3 x 270 mm Non-handed	
	B-19010-00-U-8							
35		B-19010-01-U-8	B-19010-07-U-8	B-19030-01-U-8	B-19030-07-U-8	308 / 312		
1901 B 1903 C	40	B-19010-02-U-8	B-19010-08-U-8	B-19030-02-U-8	B-19030-08-U-8	308 / 312		
	45	B-19010-02-U-8	B-19010-08-U-8	B-19030-02-U-8	B-19030-08-U-8	308 / 312		
2	1795	35, 40, 45	B 1795 0001			381		
3	9006 for series 18/19	35, 40, 45	Rod length	1385 mm	B 9006 0022	408		
				1500 mm	B 9006 0013	408		

Passive leaf						
No.	Product	Backset [mm]	Faceplate 24 x 3 x 270 mm		Additional versions see page	
			Non-handed	Non-handed		
4	1890 for series 18 1990 for series 19	35	B-18900-01-0-8	B-19900-01-0-8	294	346
		40	B-18900-02-0-8	B-19900-02-0-8	294	346
		45	B-18900-03-0-8	B-19900-03-0-8	294	346
5	1895	30-45	B 1895 0003		382	
6	9006	With end plug	B 9006 0013		408	
7	9006	Solid	B 9006 0004		408	
8	9000	For 1895/1795	B 9000 0490 and B 9000 0567		396	
9	9009/B-0028	-	B 9009 0001 or B-00280-20-0-8		410	
10	9019	-	B 9019 0001		411	

Combination RPZO 110

Panic function, double-leaf, active leaf with top-locking



Inside



Outside

Active leaf: lever set with rosettes

Order number*			
B-72030-□□-0-□			
□ Cylinder hole-type – backplate design	□ Lever handle model	□ Finish	
0 PC – oval	1 RONDO H1.1	1	Silver/EV1 look
1 PC – square	2 RONDO H1.2	3	PVD brass
2 CH-RC – oval	7 BELCANTO-Panik H3.1	7	Traffic white**
3 CH-RC – square	8 BELCANTO-Panik H3.2	8	Satin stainless steel
4 Without PC hole – oval	A OFFICE H4.2		
5 Without PC hole – square	C LEGATO H5.2		
6 Without key escutcheon – oval	E TREMOLO H6.2		
7 Without key escutcheon – square	G DIRIGENT H7.2		

Active leaf: lever set with long backplates

Order number*			
B-72040-□□-0-□			
□ Cylinder hole-type – backplate design	□ Lever handle model	□ Finish	
4 Without PC hole – round	1 RONDO H1.1	1	Silver/EV1 look
5 Without PC hole – square	2 RONDO H1.2	3	PVD brass
6 PC 92 mm – round	7 BELCANTO-Panik H3.1	7	Traffic white**
7 PC 92 mm – square	8 BELCANTO-Panik H3.2	8	Satin stainless steel
8 CH-RC 94 mm – round	A OFFICE H4.2		
9 CH-RC 94 mm – square	C LEGATO H5.2		
	E TREMOLO H6.2		
	G DIRIGENT H7.2		

Passive leaf: vertical lever with rosette

Order number*			
B-72930-□□-0-□			
□ Cylinder hole-type – backplate design	□ Lever handle model	□ Finish	
0 Without PC hole – oval	1 RONDO H1.1	1	Silver/EV1 look
1 Without PC hole – square	2 RONDO H1.2	3	PVD brass
	7 BELCANTO-Panik H3.1	7	Traffic white**
	8 BELCANTO-Panik H3.2	8	Satin stainless steel
	A OFFICE H4.2		
	C LEGATO H5.2		
	E TREMOLO H6.2		
	G DIRIGENT H7.2		

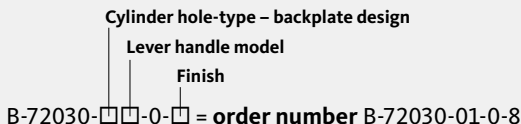
Passive leaf: vertical lever with long backplate

Order number*			
B-72940-□□-0-□			
□ Cylinder hole-type – backplate design	□ Lever handle model	□ Finish	
0 Without PC hole – round	0 RONDO H1.0	1	Silver/EV1 look
1 Without PC hole – square	1 RONDO H1.1	3	PVD brass
	7 BELCANTO-Panik H3.1	7	Traffic white**
	8 BELCANTO-Panik H3.2	8	Satin stainless steel
	A OFFICE H4.2		
	C LEGATO H5.2		
	E TREMOLO H6.2		
	G DIRIGENT H7.2		

Accessories: spindles and screws see from page 456 – more information about the lever handle sets from page 12

***Ordering example**

Active leaf: lever set with rosettes = B-72030-□□-0-□
 Cylinder hole-type – backplate design = PC – oval = 0 [refer to table]
 Lever handle model = RONDO H1.1 = 1 [refer to table]
 Finish = 8 = satin stainless steel [refer to table]



Combination RPZO 110

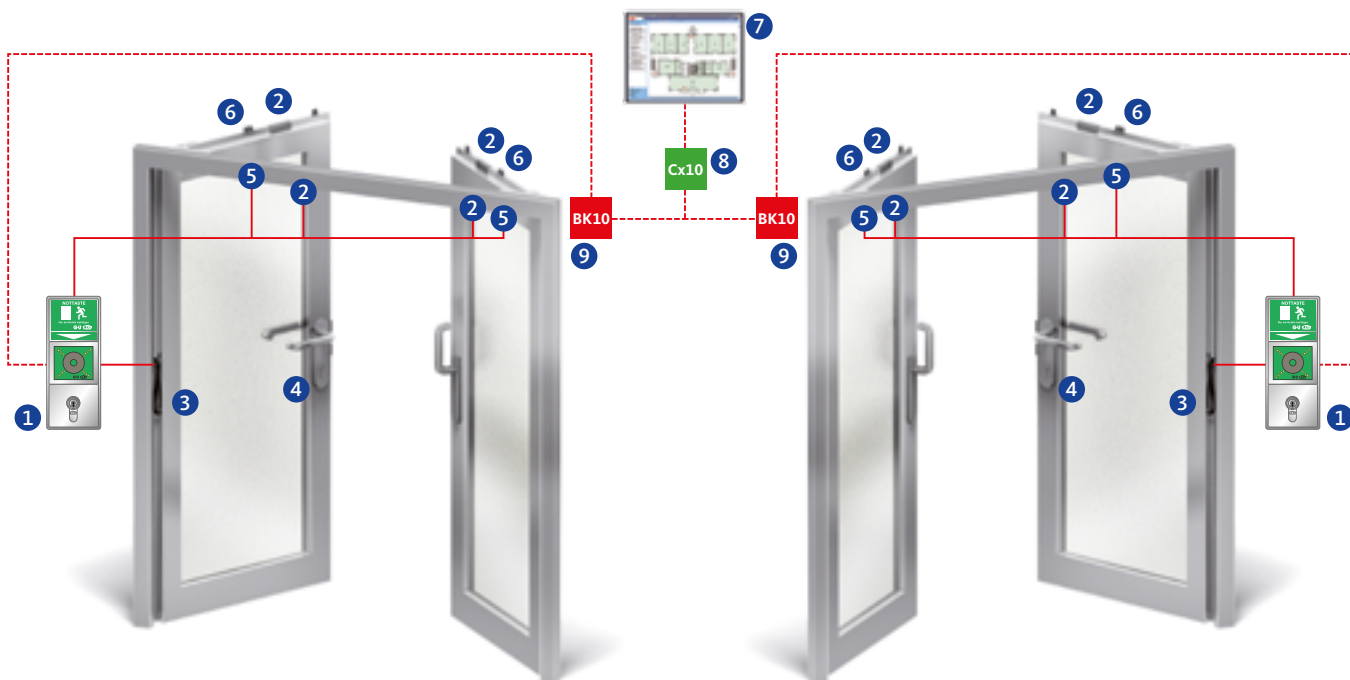
Panic function, double-leaf, active leaf with top-locking



Escape door locking

Centralised control and visualisation

Escape door locking



Monitoring contacts

Product	Cylinder cam monitoring	Latch monitoring	Deadbolt monitoring	Follower monitoring	Electrically coupled exterior lever handle	Combinable with electric strike
1831 / 1833 / 1835	■	■	■	■	-	■
1901	■	■	-	■	-	-
1903	■	■	-	■	-	-
1981	Including	Including	-	Including	Including	-

Escape door locking

No.	Product	Description	See page
1	B 5580 09xx	Escape door terminal set with integral power supply unit	462
2	B 5469 0010	Door contact	473
3	6-xxxxx-xx-x-x	Cable link	424
4	B 5490 xxxx	Connecting cable for electrically coupled lock or lock monitoring	427
5	B 5465 xxxx	Electric escape door strike	470
6	B 5495 0010	Latch lock	470

Centralised control and visualisation

No.	Product	Description	See page
7	B 5580 0521	BKS-NET system software Online visualisation module OV10 (licence)	475
8	B 5580 0421	CU10 building bus coupler (USB interface)	477
9	B 5580 0411	BK10 in-wall bus coupler (without frame/cover)	477

Door closer/carrier bar

For detailed order information please refer to our door closer order catalogue.

Combination RPZAS 110

Panic function, double-leaf, automatic locking of passive leaf, SECURY



Inside



Outside

Functional description

Active leaf

Inside

The active leaf can be opened by the lever handle at any time (panic function). With a SECURY lock, the door locks automatically without having to use the key.

Outside

The active leaf is opened using the key and lever handle. With a SECURY lock, the door locks automatically without having to use the key.

- Panic function B
- Panic function C

Passive leaf

Inside

Active and passive leaf can be opened by the vertical lever at any time (panic function on both leaves). Upon closing, the passive leaf is locked automatically via the vertical rods. If the door is opened by the passive leaf, the carrier bar ensures that the active leaf is carried along far enough to activate the door-leaf coordinator, so the leaves can close in the appropriate sequence. This also guarantees that the two leaves cannot jam, not even with a small clearance. The closing sequence of the door is controlled by the door-leaf coordinator integrated in the door closer.

Possible applications

- Emergency exits to EN 179 in areas not accessible to the public
- Suitable for fire and smoke protection doors
- Due to the exterior lever handle, the use as entrance or connecting door is possible from both sides, depending on the particular panic function
- Suitable for very high entrance doors with a tendency to warp (only by agreement with the door fabricator and in compliance with approvals)
- Automatic multi-point locking
- Enhanced burglar protection and gasket pressure thanks to the additional locking
- Optional combination with electric access control and/or escape door security components (see the following pages)

Recommendation

- Entrance doors to administrative and office buildings
- Homes for the elderly
- Service doors
- Museums
- Airports
- Stadiums
- Administrative areas

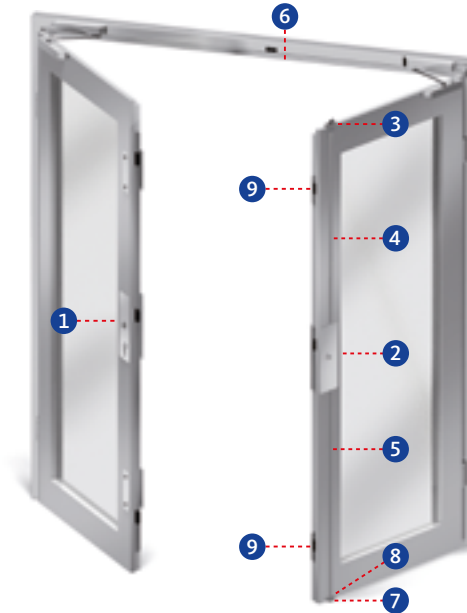
Combination RPZAS 110

Panic function, double-leaf, automatic locking of passive leaf, SECURY



Active leaf:

1 = SECURY panic lock



Passive leaf:

- 2 = Shoot-bolt lock
- 3 = Passive leaf control lock
- 4 = Vertical rod
- 5 = Solid vertical rod
- 6 = Striker
- 7 = Floor striker
- 8 = Guide plate for vertical rod
- 9 = Latchbolt striker

Active leaf					
No.	Product	Backset [mm]	Panic function B Faceplate 24 x 3 x 1750 mm Non-handed	U-faceplate 24 x 6 x 2 x 1750 mm Non-handed	Additional PC/CH-RC versions see page
1	1911 SECURY	35	6-B1911-11-L-8	6-B1911-01-L-8	356
		40	6-B1911-12-L-8	6-B1911-04-L-8	356
		45	6-B1911-06-L-8	6-B1911-03-L-8	356

Passive leaf				
No.	Product	Backset [mm]	Faceplate 24 x 3 x 270 mm Non-handed	Additional versions see page
2	1990	35	B-19900-01-0-8	346
		40	B-19900-02-0-8	346
		45	B-19900-03-0-8	346
3	1895	30-45	B 1895 0003	382
4	9006	With end plug	B 9006 0013	408
5	9006	Solid	B 9006 0004	408
6	9000	For 1895	B 9000 0490	396
7	9009/B-0028	-	B 9009 0001 or B-00280-20-0-8	410
8	9019	-	B 9019 0001	411
9	Lipped striker	Non-handed	B 9000 0913	399
	Striker	Non-handed	9-43501-03-0-8	397

Combination RPZAS 110

Panic function, double-leaf, automatic locking of passive leaf, SECURY



Inside



Outside

Active leaf: lever set with rosettes

Order number*			
B-72030-□□-0-□			
□ Cylinder hole-type – backplate design	□ Lever handle model	□ Finish	
0 PC – oval	1 RONDO H1.1	1	Silver/EV1 look
1 PC – square	2 RONDO H1.2	3	PVD brass
2 CH-RC – oval	7 BELCANTO-Panik H3.1	7	Traffic white**
3 CH-RC – square	8 BELCANTO-Panik H3.2	8	Satin stainless steel
4 Without PC hole – oval	A OFFICE H4.2	**RAL 9016	
5 Without PC hole – square	C LEGATO H5.2		
6 Without key escutcheon – oval	E TREMOLO H6.2		
7 Without key escutcheon – square	G DIRIGENT H7.2		

Active leaf: lever set with long backplates

Order number*			
B-72040-□□-0-□			
□ Cylinder hole-type – backplate design	□ Lever handle model	□ Finish	
4 Without PC hole – round	1 RONDO H1.1	1	Silver/EV1 look
5 Without PC hole – square	2 RONDO H1.2	3	PVD brass
6 PC 92 mm – round	7 BELCANTO-Panik H3.1	7	Traffic white**
7 PC 92 mm – square	8 BELCANTO-Panik H3.2	8	Satin stainless steel
8 CH-RC 94 mm – round	A OFFICE H4.2	**RAL 9016	
9 CH-RC 94 mm – square	C LEGATO H5.2		
	E TREMOLO H6.2		
	G DIRIGENT H7.2		

Passive leaf: vertical lever with rosette

Order number*			
B-72930-□□-0-□			
□ Cylinder hole-type – backplate design	□ Lever handle model	□ Finish	
0 Without PC hole – oval	1 RONDO H1.1	1	Silver/EV1 look
1 Without PC hole – square	2 RONDO H1.2	3	PVD brass
	7 BELCANTO-Panik H3.1	7	Traffic white**
	8 BELCANTO-Panik H3.2	8	Satin stainless steel
	A OFFICE H4.2	**RAL 9016	
	C LEGATO H5.2		
	E TREMOLO H6.2		
	G DIRIGENT H7.2		

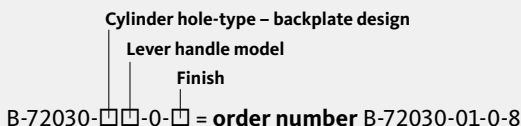
Passive leaf: vertical lever with long backplate

Order number*			
B-72940-□□-0-□			
□ Cylinder hole-type – backplate design	□ Lever handle model	□ Finish	
0 Without PC hole – round	0 RONDO H1.0	1	Silver/EV1 look
1 Without PC hole – square	1 RONDO H1.1	3	PVD brass
	7 BELCANTO-Panik H3.1	7	Traffic white**
	8 BELCANTO-Panik H3.2	8	Satin stainless steel
	A OFFICE H4.2	**RAL 9016	
	C LEGATO H5.2		
	E TREMOLO H6.2		
	G DIRIGENT H7.2		

Accessories: spindles and screws see from page 456 – **more information** about the lever handle sets from page 12

***Ordering example**

Active leaf: lever set with rosettes = B-72030-□□-0-□
 Cylinder hole-type – backplate design = PC – oval = 0 [refer to table]
 Lever handle model = RONDO H1.1 = 1 [refer to table]
 Finish = 8 = satin stainless steel [refer to table]



Combination RPZAS 110

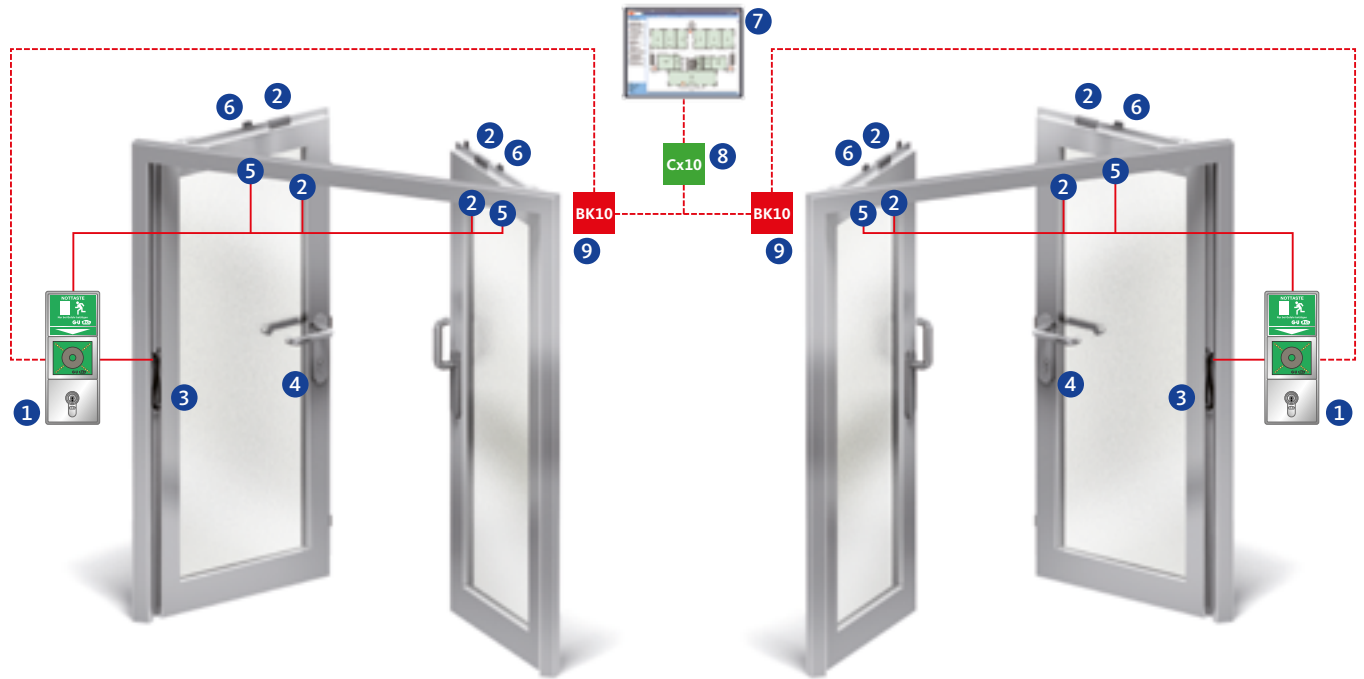
Panic function, double-leaf, automatic locking of passive leaf, SECURITY



Escape door locking

Centralised control and visualisation

Escape door locking



Monitoring contacts

Product	Cylinder cam monitoring	Latch monitoring	Deadbolt monitoring	Follower monitoring	Electrically coupled exterior lever handle	Combinable with electric strike	With A-opener (motor)
6-B1911-xx-x	■	■	-	■	-	-	■

Escape door locking

No.	Product	Description	See page
1	B 5580 09xx	Escape door terminal set with integral power supply unit	462
2	B 5469 0010	Door contact	473
3	6-xxxxx-xx-x-x	Cable link	424
4	B 5490 0300	Connecting cable for electrically coupled lock or lock monitoring	427
5	B 5465 xxxx	Electric escape door strike	470
6	B 5495 0010	Latch lock	470

Centralised control and visualisation

No.	Product	Description	See page
7	B 5580 0521	BKS-NET system software Online visualisation module OV10 (licence)	475
8	B 5580 0421	CU10 building bus coupler (USB interface)	477
9	B 5580 0411	BK10 in-wall bus coupler (without frame/cover)	477

Door closer/carrier bar

For detailed order information please refer to our door closer order catalogue.

Combination RPZA 170

Panic function, double-leaf, automatic locking of passive leaf



Inside



Outside

Functional description

Active leaf

Inside

The active leaf can be opened by the lever handle at any time (panic function). With series 18, the door is locked with the key. With series 19, the door locks automatically without a key.

Outside

The active leaf can only be opened with the key.
 With series 18, the door is locked with the key.
 With series 19, the door locks automatically without a key.
 – Panic function E

Passive leaf

Inside

Active and passive leaf can be opened by the vertical lever at any time (panic function on both leaves). Upon closing, the passive leaf is locked automatically via the vertical rods. If the door is opened by the passive leaf, the carrier bar ensures that the active leaf is carried along far enough to activate the door-leaf coordinator, so the leaves can close in the appropriate sequence. This also guarantees that the two leaves cannot jam, not even with a small clearance. The closing sequence of the door is controlled by the door-leaf coordinator integrated in the door closer.

Possible applications

- Emergency exits to EN 179 in areas not accessible to the public
- Suitable for fire and smoke protection doors
- As the fixed knob or push/pull handle is on the outside, access from the outside is only possible using the key
- Optional combination with electric access control and/or escape door security components (see the following pages)

Recommendation

- Museums
- Airports
- Stadiums
- Administrative areas
- Schools and universities
- Hospitals

Combination RPZA 170

Panic function, double-leaf, automatic locking of passive leaf



Active leaf:

1 = Panic lock



Passive leaf:

- 2 = Shoot-bolt lock
- 3 = Passive-leaf control lock
- 4 = Vertical rod
- 5 = Solid vertical rod
- 6 = Striker
- 7 = Floor striker
- 8 = Guide plate for vertical rod

Active leaf

No.	Product	Backset [mm]	Panic function E		Additional PC/CH-RC versions see page			
			Faceplate 24 x 3 x 270 mm Non-handed	U-faceplate 24 x 6 x 2 x 268 mm Non-handed				
1	1827	35	B-18270-01-U-8	B-18270-20-U-8	254			
		40	B-18270-02-U-8	-	254			
		45	B-18270-03-U-8	B-18270-21-U-8	254			
	1917	Product	Backset [mm]	Panic function E		Additional PC/CH-RC versions see page		
				Faceplate 24 x 3 x 270 mm Non-handed	U-faceplate 24 x 6 x 2 x 268 mm Non-handed			
				35	B-19170-00-U-8		B-19170-10-U-8	328
		40	B-19170-01-U-8	B-19170-11-U-8	328			
		45	B-19170-02-U-8	B-19170-12-U-8	328			
		1917 with latch holdback	Product	Backset [mm]	35	B-19170-34-U-8	B-19170-40-U-8	328
					40	B-19170-35-U-8	B-19170-41-U-8	328
		45	B-19170-36-U-8	B-19170-42-U-8	328			

Passive leaf

No.	Product	Backset [mm]	Faceplate 24 x 3 x 310 mm		Additional versions see page		
			DIN LH	DIN RH			
2	1793 prepared for electric strike	35	B 1793 6001	B 1793 6000	236		
		40	B 1793 6005	B 1793 6004	236		
		45	B 1793 6007	B 1793 6006	236		
	1890 for series 18	1990 for series 19	Faceplate 24 x 3 x 270 mm Non-handed		Additional versions see page		
			35	B-18900-01-0-8	B-19900-01-0-8	294	346
			40	B-18900-02-0-8	B-19900-02-0-8	294	346
			45	B-18900-03-0-8	B-19900-03-0-8	294	346
	3	1895	30-45	B 1895 0003		382	
	4	9006	With end plug	B 9006 0013		408	
5	9006	Solid	B 9006 0004		408		
6	9000	For 1895	B 9000 0490		396		
7	9009/B-0028	-	B 9009 0001 or B-00280-20-0-8		410		
8	9019	-	B 9019 0001		411		

Combination RPZA 170

Panic function, double-leaf, automatic locking of passive leaf



Inside



Outside

Active leaf: entrance set with rosettes

Order number*	Knob		
B-72330-□□-0-□	Round knob K1.1		
B-72530-□□-0-□	Ball knob K2.1		
□ Cylinder hole-type – backplate design	□ Lever handle model	□ Finish	
0 PC – oval	1 RONDO H1.1	1	Silver/EV1 look
1 PC – square	2 RONDO H1.2	3	PVD brass
2 CH-RC – oval	7 BELCANTO-Panik H3.1	7	Traffic white**
3 CH-RC – square	8 BELCANTO-Panik H3.2	8	Satin stainless steel
4 Without PC hole – oval	A OFFICE H4.2	**RAL 9016	
5 Without PC hole – square	C LEGATO H5.2		
6 Without key escutcheon – oval	E TREMOLO H6.2		
7 Without key escutcheon – square	G DIRIGENT H7.2		

Active leaf: entrance set with long backplates

Order number*	Knob		
B-72340-□□-0-□	Round knob K1.1		
B-72540-□□-0-□	Ball knob K2.1		
□ Cylinder hole-type – backplate design	□ Lever handle model	□ Finish	
4 Without PC hole – round	1 RONDO H1.1	1	Silver/EV1 look
5 Without PC hole – square	2 RONDO H1.2	3	PVD brass
6 PC 92 mm – round	7 BELCANTO-Panik H3.1	7	Traffic white**
7 PC 92 mm – square	8 BELCANTO-Panik H3.2	8	Satin stainless steel
8 CH-RC 94 mm – round	A OFFICE H4.2	**RAL 9016	
9 CH-RC 94 mm – square	C LEGATO H5.2		
	E TREMOLO H6.2		
	G DIRIGENT H7.2		

Passive leaf: vertical lever with rosette

Order number*			
B-72930-□□-0-□			
□ Cylinder hole-type – backplate design	□ Lever handle model	□ Finish	
0 Without PC hole – oval	1 RONDO H1.1	1	Silver/EV1 look
1 Without PC hole – square	2 RONDO H1.2	3	PVD brass
	7 BELCANTO-Panik H3.1	7	Traffic white**
	8 BELCANTO-Panik H3.2	8	Satin stainless steel
	A OFFICE H4.2	**RAL 9016	
	C LEGATO H5.2		
	E TREMOLO H6.2		
	G DIRIGENT H7.2		

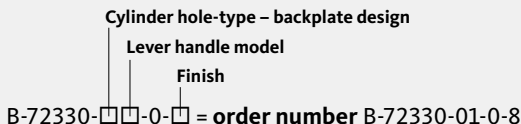
Passive leaf: vertical lever with long backplate

Order number*			
B-72940-□□-0-□			
□ Cylinder hole-type – backplate design	□ Lever handle model	□ Finish	
0 Without PC hole – round	0 RONDO H1.0	1	Silver/EV1 look
1 Without PC hole – square	1 RONDO H1.1	3	PVD brass
	7 BELCANTO-Panik H3.1	7	Traffic white**
	8 BELCANTO-Panik H3.2	8	Satin stainless steel
	A OFFICE H4.2	**RAL 9016	
	C LEGATO H5.2		
	E TREMOLO H6.2		
	G DIRIGENT H7.2		

Accessories: spindles and screws see from page 456 – more information about the lever handle sets from page 12

***Ordering example**

Active leaf: entrance set with rosettes = B-72330-□□-0-□
 Cylinder hole-type – backplate design = PC – oval = 0 [refer to table]
 Lever handle model = RONDO H1.1 = 1 [refer to table]
 Finish = 8 = satin stainless steel [refer to table]



Combination RPZA 170

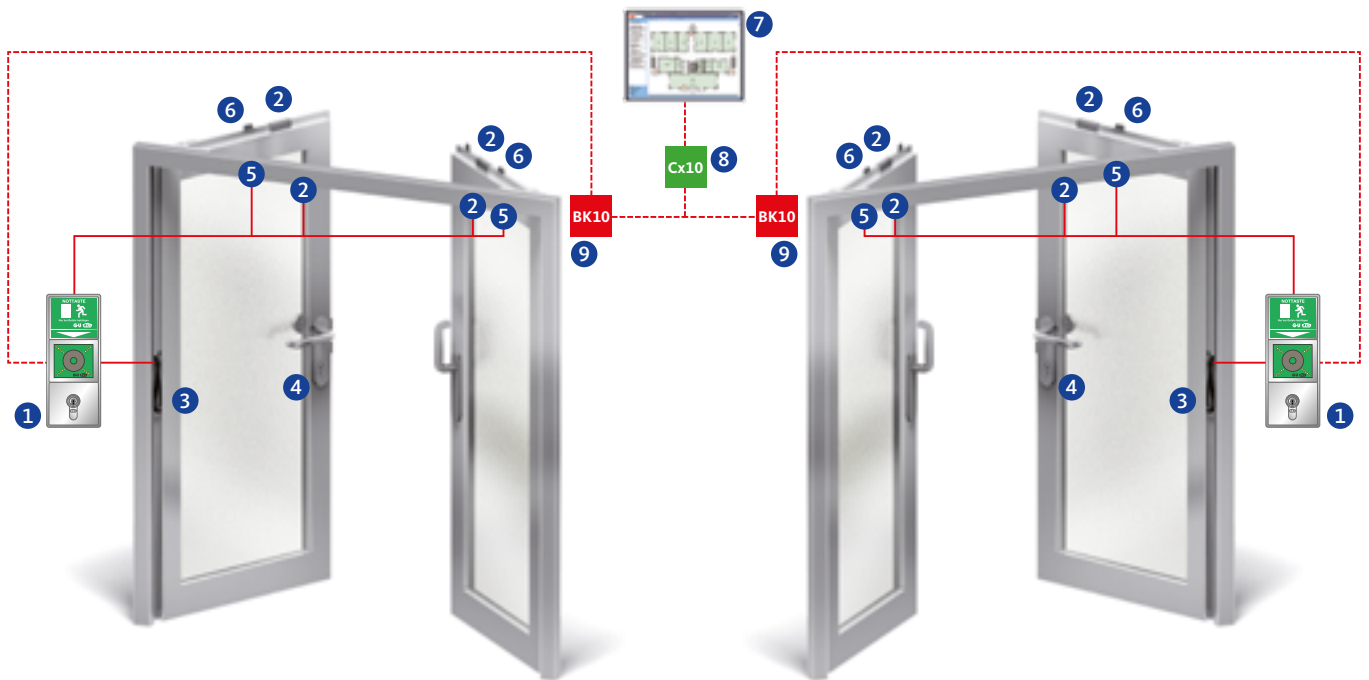
Panic function, double-leaf, automatic locking of passive leaf



Escape door locking

Centralised control and visualisation

Escape door locking



Monitoring contacts

Product	Cylinder cam monitoring	Latch monitoring	Deadbolt monitoring	Follower monitoring	Electrically coupled exterior lever handle	Combinable with electric strike
1827	■	■	■	■	-	■
1917	■	■	-	■	-	-

Escape door locking

No.	Product	Description	See page
1	B 5580 09xx	Escape door terminal set with integral power supply unit	462
2	B 5469 0010	Door contact	473
3	6-xxxxx-xx-x-x	Cable link	424
4	B 5490 xxxx	Connecting cable for electrically coupled lock or lock monitoring	427
5	B 5465 xxxx	Electric escape door strike	470
6	B 5495 0010	Latch lock	470

Centralised control and visualisation

No.	Product	Description	See page
7	B 5580 0521	BKS-NET system software Online visualisation module OV10 (licence)	475
8	B 5580 0421	CU10 building bus coupler (USB interface)	477
9	B 5580 0411	BK10 in-wall bus coupler (without frame/cover)	477

Door closer/carrier bar

For detailed order information please refer to our door closer order catalogue.

Combination RPZA 170-M

Panic function, double-leaf, automatic locking of passive leaf, motor-driven opening



Inside



Outside



Functional description

Active leaf

Inside

The active leaf can be opened by the lever handle at any time (panic function). With series 18, the door is locked with the key. With series 19, the door locks automatically without a key.

Outside

The active leaf can only be opened with the key.
 With series 18, the door is locked with the key.
 With series 19, the door locks automatically without a key.
 – Panic function E

Passive leaf

Inside

Active and passive leaf can be opened by the vertical lever at any time (panic function on both leaves). Upon closing, the passive leaf is locked automatically via the vertical rods. If the door is opened by the passive leaf, the carrier bar ensures that the active leaf is carried along far enough to activate the door-leaf coordinator, so the leaves can close in the appropriate sequence. This also guarantees that the two leaves cannot jam, not even with a small clearance. The closing sequence of the door is controlled by the door-leaf coordinator integrated in the door closer.

Possible applications

- Emergency exits to EN 179 in non-public areas, in conjunction with a swing-door drive
- Suitable for fire and smoke protection doors
- As the fixed knob or push/pull handle is on the outside, access from the outside is only possible using the key
- Optional combination with electric access control and/or escape door security components (see the following pages)

Recommendation

- Museums
- Airports
- Administrative areas
- Schools and universities
- Hospitals

Combination RPZA 170-M

Panic function, double-leaf, automatic locking of passive leaf, motor-driven opening



Active leaf:

① = Panic lock



Passive leaf:

- ② = Motor-driven shoot-bolt lock
- ③ = Passive-leaf control lock
- ④ = Vertical rod
- ⑤ = Solid vertical rod
- ⑥ = Striker
- ⑦ = Floor striker
- ⑧ = Guide plate for vertical rod

Active leaf

No.	Product	Backset [mm]	Panic function E		Additional PC/CH-RC versions see page	
			Faceplate 24 x 3 x 270 mm Non-handed	U-faceplate 24 x 6 x 2 x 268 mm Non-handed		
1	1827	35	B-18270-01-U-8	B-18270-20-U-8	254	
		40	B-18270-02-U-8	-	254	
		45	B-18270-03-U-8	B-18270-21-U-8	254	
		Product	Backset [mm]	Panic function E		Additional PC/CH-RC versions see page
	1917		35	B-19170-00-U-8	B-19170-10-U-8	328
			40	B-19170-01-U-8	B-19170-11-U-8	328
			45	B-19170-02-U-8	B-19170-12-U-8	328
	1917 with latch holdback		35	B-19170-34-U-8	B-19170-40-U-8	328
			40	B-19170-35-U-8	B-19170-41-U-8	328
			45	B-19170-36-U-8	B-19170-42-U-8	328

Passive leaf

No.	Product	Backset [mm]	Faceplate 24 x 3 x 410 mm		Additional versions see page	
			Non-handed	Non-handed		
2	1893 for series 18 1993 for series 19	35	B-18930-00-0-8	B-19930-00-0-8	300	348
		40	B-18930-01-0-8	B-19930-01-0-8	300	348
		45	B-18930-02-0-8	B-19930-02-0-8	300	348
3	1895	30-45	B 1895 0003		382	
4	9006	With end plug	B 9006 0013		408	
5	9006	Solid	B 9006 0004		408	
6	9000	For 1895	B 9000 0490		396	
7	9009/B-0028	-	B 9009 0001 or B-00280-20-0-8		410	
8	9019	-	B 9019 0001		411	

Combination RPZA 170-M

Panic function, double-leaf, automatic locking of passive leaf, motor-driven opening



Inside



Outside

Active leaf: entrance set with rosettes

Order number*	Knob		
B-72330-□□-0-□	Round knob K1.1		
B-72530-□□-0-□	Ball knob K2.1		
□ Cylinder hole-type – backplate design	□ Lever handle model	□ Finish	
0 PC – oval	1 RONDO H1.1	1	Silver/EV1 look
1 PC – square	2 RONDO H1.2	3	PVD brass
2 CH-RC – oval	7 BELCANTO-Panik H3.1	7	Traffic white**
3 CH-RC – square	8 BELCANTO-Panik H3.2	8	Satin stainless steel
4 Without PC hole – oval	A OFFICE H4.2	**RAL 9016	
5 Without PC hole – square	C LEGATO H5.2		
6 Without key escutcheon – oval	E TREMOLO H6.2		
7 Without key escutcheon – square	G DIRIGENT H7.2		

Active leaf: entrance set with long backplates

Order number*	Knob		
B-72340-□□-0-□	Round knob K1.1		
B-72540-□□-0-□	Ball knob K2.1		
□ Cylinder hole-type – backplate design	□ Lever handle model	□ Finish	
4 Without PC hole – round	1 RONDO H1.1	1	Silver/EV1 look
5 Without PC hole – square	2 RONDO H1.2	3	PVD brass
6 PC 92 mm – round	7 BELCANTO-Panik H3.1	7	Traffic white**
7 PC 92 mm – square	8 BELCANTO-Panik H3.2	8	Satin stainless steel
8 CH-RC 94 mm – round	A OFFICE H4.2	**RAL 9016	
9 CH-RC 94 mm – square	C LEGATO H5.2		
	E TREMOLO H6.2		
	G DIRIGENT H7.2		

Passive leaf: vertical lever with rosette

Order number*			
B-72930-□□-0-□			
□ Cylinder hole-type – backplate design	□ Lever handle model	□ Finish	
0 Without PC hole – oval	1 RONDO H1.1	1	Silver/EV1 look
1 Without PC hole – square	2 RONDO H1.2	3	PVD brass
	7 BELCANTO-Panik H3.1	7	Traffic white**
	8 BELCANTO-Panik H3.2	8	Satin stainless steel
	A OFFICE H4.2	**RAL 9016	
	C LEGATO H5.2		
	E TREMOLO H6.2		
	G DIRIGENT H7.2		

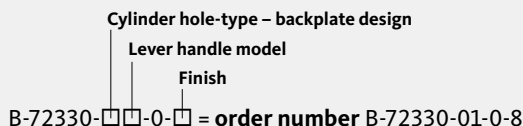
Passive leaf: vertical lever with long backplate

Order number*			
B-72940-□□-0-□			
□ Cylinder hole-type – backplate design	□ Lever handle model	□ Finish	
0 Without PC hole – round	0 RONDO H1.0	1	Silver/EV1 look
1 Without PC hole – square	1 RONDO H1.1	3	PVD brass
	7 BELCANTO-Panik H3.1	7	Traffic white**
	8 BELCANTO-Panik H3.2	8	Satin stainless steel
	A OFFICE H4.2	**RAL 9016	
	C LEGATO H5.2		
	E TREMOLO H6.2		
	G DIRIGENT H7.2		

Accessories: spindles and screws see from page 456 – more information about the lever handle sets from page 12

*Ordering example

Active leaf: entrance set with rosettes = B-72330-□□-0-□
 Cylinder hole-type – backplate design = PC – oval = 0 [refer to table]
 Lever handle model = RONDO H1.1 = 1 [refer to table]
 Finish = 8 = satin stainless steel [refer to table]



Combination RPZA 170-M

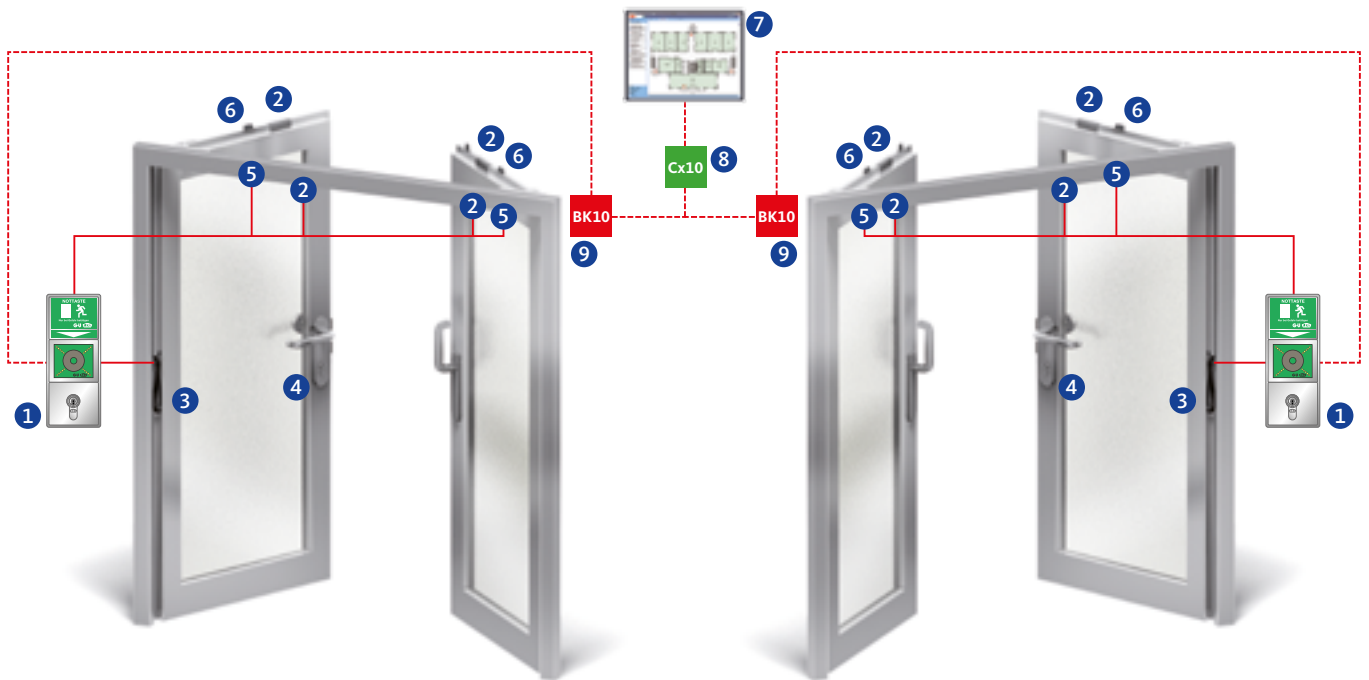
Panic function, double-leaf, automatic locking of passive leaf, motor-driven opening



Escape door locking

Centralised control and visualisation

Escape door locking



Monitoring contacts

Product	Cylinder cam monitoring	Latch monitoring	Deadbolt monitoring	Follower monitoring	Electrically coupled exterior lever handle	Combinable with electric strike
1827	■	■	■	■	-	■
1917	■	■	-	■	-	-

Escape door locking

No.	Product	Description	See page
1	B 5580 09xx	Escape door terminal set with integral power supply unit	462
2	B 5469 0010	Door contact	473
3	6-xxxxx-xx-x-x	Cable link	424
4	B 5490 xxxx	Connecting cable for electrically coupled lock or lock monitoring	427
5	B 5465 xxxx	Electric escape door strike	470
6	B 5495 0010	Latch lock	470

Centralised control and visualisation

No.	Product	Description	See page
7	B 5580 0521	BKS-NET system software Online visualisation module OV10 (licence)	475
8	B 5580 0421	CU10 building bus coupler (USB interface)	477
9	B 5580 0411	BK10 in-wall bus coupler (without frame/cover)	477

Door closer/carrier bar

For detailed order information please refer to our door closer order catalogue.

Combination RPZO 170

Panic function, double-leaf, active leaf with top-locking



Inside



Outside

Functional description

Active leaf

Inside

The active leaf can be opened by the lever handle at any time (panic function). With series 18, the door is locked with the key. With series 19, the door locks automatically without a key.

Outside

The active leaf can only be opened with the key. With series 18, the door is locked with the key. With series 19, the door locks automatically without a key.
– Panic function E

Passive leaf

Inside

Active and passive leaf can be opened by the vertical lever at any time (panic function on both leaves). Upon closing, the passive leaf is locked automatically via the vertical rods. If the door is opened by the passive leaf, the carrier bar ensures that the active leaf is carried along far enough to activate the door-leaf coordinator, so the leaves can close in the appropriate sequence. This also guarantees that the two leaves cannot jam, not even with a small clearance. The closing sequence of the door is controlled by the door-leaf coordinator integrated in the door closer.

Possible applications

- Emergency exits to EN 179 in areas not accessible to the public
- Suitable for fire and smoke protection doors
- As the fixed knob or push/pull handle is on the outside, access from the outside is only possible using the key
- Suitable for very high entrance doors with a tendency to warp (only by agreement with the door fabricator and in compliance with approvals)
- Enhanced burglar protection and gasket pressure thanks to the additional top-locking
- Optional combination with electric access control and/or escape door security components (see the following pages)

Recommendation

- Museums
- Stadiums
- Airports
- Entrance doors for warehouses and office buildings
- Administrative areas

Combination RPZO 170

Panic function, double-leaf, active leaf with top-locking



Active leaf:

- 1 = Panic lock with top-locking
- 2 = Spring-operated top latch
- 3 = Vertical rod
- 8 = Striker



Passive leaf:

- 4 = Shoot-bolt lock
- 5 = Passive-leaf control lock
- 6 = Vertical rod
- 7 = Solid vertical rod
- 8 = Striker
- 9 = Floor striker
- 10 = Guide plate for vertical rod

Active leaf

No.	Product	Backset [mm]	Panic function E Faceplate 24 x 3 x 270 mm Non-handed		Additional PC/CH-RC versions see page	
1	1837	35	B-18370-02-U-8		270	
		40	B-18370-04-U-8		270	
		45	B-18370-06-U-8		270	
	1907 Self-locking	35, 40, 45	Panic function E Faceplate 24 x 3 x 270 mm Non-handed		U-faceplate 24 x 6 x 2 x 268 mm Non-handed	Additional PC/CH-RC versions see page
			B-19070-00-U-8		B-19070-06-U-8	316
			B-19070-01-U-8		B-19070-07-U-8	316
B-19070-02-U-8		B-19070-08-U-8	316			
2	1795	35, 40, 45	B 1795 0001		381	
3	9006	35, 40, 45	Rod length	1385 mm	B 9006 0022	408
				1500 mm	B 9006 0013	408

Passive leaf

No.	Product	Backset [mm]	Faceplate 24 x 3 x 270 mm Non-handed	Additional versions see page
4	1890 for series 18	35	B-18900-01-0-8	294
		40	B-18900-02-0-8	294
		45	B-18900-03-0-8	294
	1990 for series 19	35	B-19900-01-0-8	346
		40	B-19900-02-0-8	346
		45	B-19900-03-0-8	346
5	1895	30-45	B 1895 0003	382
6	9006	With end plug	B 9006 0013	408
7	9006	Solid	B 9006 0004	408
8	9000	For 1895/1795	B 9000 0490 and B 9000 0567	396
9	9009/B-0028	-	B 9009 0001 or B-00280-20-0-8	410
10	9019	-	B 9019 0001	411

Combination RPZO 170

Panic function, double-leaf, active leaf with top-locking



Inside



Outside

Active leaf: entrance set with rosettes

Order number*	Knob		
B-72330-□□-0-□	Round knob K1.1		
B-72530-□□-0-□	Ball knob K2.1		
□ Cylinder hole-type – backplate design	□ Lever handle model	□ Finish	
0 PC – oval	1 RONDO H1.1	1	Silver/EV1 look
1 PC – square	2 RONDO H1.2	3	PVD brass
2 CH-RC – oval	7 BELCANTO-Panik H3.1	7	Traffic white**
3 CH-RC – square	8 BELCANTO-Panik H3.2	8	Satin stainless steel
4 Without PC hole – oval	A OFFICE H4.2	**RAL 9016	
5 Without PC hole – square	C LEGATO H5.2		
6 Without key escutcheon – oval	E TREMOLO H6.2		
7 Without key escutcheon – square	G DIRIGENT H7.2		

Active leaf: entrance set with long backplates

Order number*	Knob		
B-72340-□□-0-□	Round knob K1.1		
B-72540-□□-0-□	Ball knob K2.1		
□ Cylinder hole-type – backplate design	□ Lever handle model	□ Finish	
4 Without PC hole – round	1 RONDO H1.1	1	Silver/EV1 look
5 Without PC hole – square	2 RONDO H1.2	3	PVD brass
6 PC 92 mm – round	7 BELCANTO-Panik H3.1	7	Traffic white**
7 PC 92 mm – square	8 BELCANTO-Panik H3.2	8	Satin stainless steel
8 CH-RC 94 mm – round	A OFFICE H4.2	**RAL 9016	
9 CH-RC 94 mm – square	C LEGATO H5.2		
	E TREMOLO H6.2		
	G DIRIGENT H7.2		

Passive leaf: vertical lever with rosette

Order number*			
B-72930-□□-0-□			
□ Cylinder hole-type – backplate design	□ Lever handle model	□ Finish	
0 Without PC hole – oval	1 RONDO H1.1	1	Silver/EV1 look
1 Without PC hole – square	2 RONDO H1.2	3	PVD brass
	7 BELCANTO-Panik H3.1	7	Traffic white**
	8 BELCANTO-Panik H3.2	8	Satin stainless steel
	A OFFICE H4.2	**RAL 9016	
	C LEGATO H5.2		
	E TREMOLO H6.2		
	G DIRIGENT H7.2		

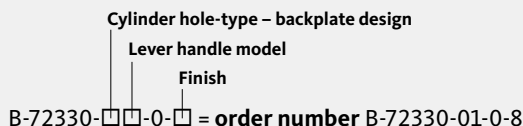
Passive leaf: vertical lever with long backplate

Order number*			
B-72940-□□-0-□			
□ Cylinder hole-type – backplate design	□ Lever handle model	□ Finish	
0 Without PC hole – round	0 RONDO H1.0	1	Silver/EV1 look
1 Without PC hole – square	1 RONDO H1.1	3	PVD brass
	7 BELCANTO-Panik H3.1	7	Traffic white**
	8 BELCANTO-Panik H3.2	8	Satin stainless steel
	A OFFICE H4.2	**RAL 9016	
	C LEGATO H5.2		
	E TREMOLO H6.2		
	G DIRIGENT H7.2		

Accessories: spindles and screws see from page 456 – more information about the lever handle sets from page 12

*Ordering example

Active leaf: entrance set with rosettes = B-72330-□□-0-□
 Cylinder hole-type – backplate design = PC – oval = 0 [refer to table]
 Lever handle model = RONDO H1.1 = 1 [refer to table]
 Finish = 8 = satin stainless steel [refer to table]



Combination RPZO 170

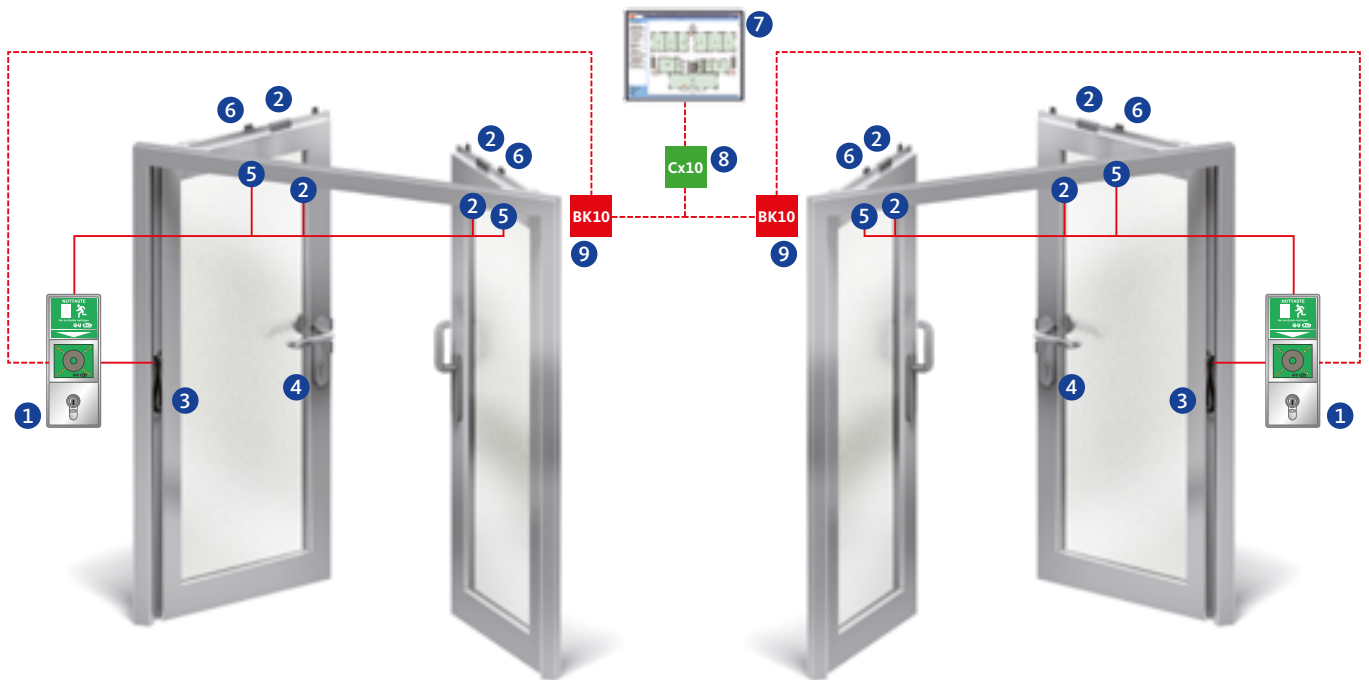
Panic function, double-leaf, active leaf with top-locking



Escape door locking

Centralised control and visualisation

Escape door locking



Monitoring contacts

Product	Cylinder cam monitoring	Latch monitoring	Deadbolt monitoring	Follower monitoring	Electrically coupled exterior lever handle	Combinable with electric strike
1837	■	■	■	■	-	■
1907	■	■	-	■	-	-

Escape door locking

No.	Product	Description	See page
1	B 5580 09xx	Escape door terminal set with integral power supply unit	462
2	B 5469 0010	Door contact	473
3	6-xxxxx-xx-x-x	Cable link	424
4	B 5490 xxxx	Connecting cable for electrically coupled lock or lock monitoring	427
5	B 5465 xxxx	Electric escape door strike	470
6	B 5495 0010	Latch lock	470

Centralised control and visualisation

No.	Product	Description	See page
7	B 5580 0521	BKS-NET system software Online visualisation module OV10 (licence)	475
8	B 5580 0421	CU10 building bus coupler (USB interface)	477
9	B 5580 0411	BK10 in-wall bus coupler (without frame/cover)	477

Door closer/carrier bar

For detailed order information please refer to our door closer order catalogue.

Combination RPZA 210

Panic function, double-leaf, automatic locking of passive leaf



Inside



Outside



Functional description

Active leaf

Inside

The active leaf can be opened by the lever handle at any time (panic function). Locking is done by key.

Outside

The active leaf can only be opened with the key. Locking is done by key.

– Panic function P

Passive leaf

Inside

Active and passive leaf can be opened by the vertical lever at any time (panic function on both leaves). Upon closing, the passive leaf is locked automatically via the vertical rods. If the door is opened by the passive leaf, the carrier bar ensures that the active leaf is carried along far enough to activate the door-leaf coordinator, so the leaves can close in the appropriate sequence. This also guarantees that the two leaves cannot jam, not even with a small clearance. The closing sequence of the door is controlled by the door-leaf coordinator integrated in the door closer.

Possible applications

- Emergency exits to EN 179 in areas not accessible to the public
- As the fixed knob or push/pull handle is on the outside, access from the outside is only possible using the key
- Optional combination with electric access control and/or escape door security components (see the following pages)

Recommendation

- Museums
- Stadiums
- Airports
- Entrance doors for warehouses and office buildings
- Administrative areas

Combination RPZA 210

Panic function, double-leaf, automatic locking of passive leaf



Active leaf:

① = Panic lock



Passive leaf:

- ② = Shoot-bolt lock
- ③ = Passive-leaf control lock
- ④ = Vertical rod
- ⑤ = Solid vertical rod
- ⑥ = Striker
- ⑦ = Floor striker
- ⑧ = Guide plate for vertical rod

Active leaf				
No.	Product	Backset [mm]	Panic function P Faceplate 24 x 3 x 270 mm Non-handed	Additional PC/CH-RC versions see page
1	1849	35	B-18490-06-0-8	290
		40	B-18490-07-0-8	290
		45	B-18490-08-0-8	290

Passive leaf				
No.	Product	Backset [mm]	Faceplate 24 x 3 x 270 mm Non-handed	Additional versions see page
2	1891	35	B-18910-01-0-8	296
		40	B-18910-02-0-8	296
		45	B-18910-03-0-8	296
3	1895	30-45	B 1895 0003	382
4	9006	With end plug	B 9006 0013	408
5	9006	Solid	B 9006 0004	408
6	9000	For 1895	B 9000 0490	396
7	9009/B-0028	-	B 9009 0001 or B-00280-20-0-8	410
8	9019	-	B 9019 0001	411

Combination RPZA 210

Panic function, double-leaf, automatic locking of passive leaf



Active leaf: entrance set with rosettes

Order number*	Knob		
B-72330-□□-0-□	Round knob K1.1		
B-72530-□□-0-□	Ball knob K2.1		
□ Cylinder hole-type – backplate design	□ Lever handle model	□ Finish	
0 PC – oval	1 RONDO H1.1	1	Silver/EV1 look
1 PC – square	2 RONDO H1.2	3	PVD brass
2 CH-RC – oval	7 BELCANTO-Panik H3.1	7	Traffic white**
3 CH-RC – square	8 BELCANTO-Panik H3.2	8	Satin stainless steel
4 Without PC hole – oval	A OFFICE H4.2	**RAL 9016	
5 Without PC hole – square	C LEGATO H5.2		
6 Without key escutcheon – oval	E TREMOLO H6.2		
7 Without key escutcheon – square	G DIRIGENT H7.2		

Active leaf: entrance set with long backplates

Order number*	Knob		
B-72340-□□-0-□	Round knob K1.1		
B-72540-□□-0-□	Ball knob K2.1		
□ Cylinder hole-type – backplate design	□ Lever handle model	□ Finish	
4 Without PC hole – round	1 RONDO H1.1	1	Silver/EV1 look
5 Without PC hole – square	2 RONDO H1.2	3	PVD brass
6 PC 92 mm – round	7 BELCANTO-Panik H3.1	7	Traffic white**
7 PC 92 mm – square	8 BELCANTO-Panik H3.2	8	Satin stainless steel
8 CH-RC 94 mm – round	A OFFICE H4.2	**RAL 9016	
9 CH-RC 94 mm – square	C LEGATO H5.2		
	E TREMOLO H6.2		
	G DIRIGENT H7.2		

Passive leaf: vertical lever with rosette

Order number*			
B-72930-□□-0-□			
□ Cylinder hole-type – backplate design	□ Lever handle model	□ Finish	
0 Without PC hole – oval	1 RONDO H1.1	1	Silver/EV1 look
1 Without PC hole – square	2 RONDO H1.2	3	PVD brass
	7 BELCANTO-Panik H3.1	7	Traffic white**
	8 BELCANTO-Panik H3.2	8	Satin stainless steel
	A OFFICE H4.2	**RAL 9016	
	C LEGATO H5.2		
	E TREMOLO H6.2		
	G DIRIGENT H7.2		

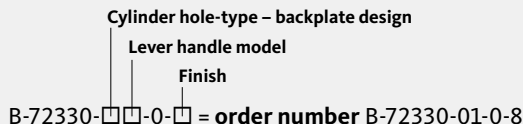
Passive leaf: vertical lever with long backplate

Order number*			
B-72940-□□-0-□			
□ Cylinder hole-type – backplate design	□ Lever handle model	□ Finish	
0 Without PC hole – round	0 RONDO H1.0	1	Silver/EV1 look
1 Without PC hole – square	1 RONDO H1.1	3	PVD brass
	7 BELCANTO-Panik H3.1	7	Traffic white**
	8 BELCANTO-Panik H3.2	8	Satin stainless steel
	A OFFICE H4.2	**RAL 9016	
	C LEGATO H5.2		
	E TREMOLO H6.2		
	G DIRIGENT H7.2		

Accessories: spindles and screws see from page 456 – **more information** about the lever handle sets from page 12

***Ordering example**

Active leaf: entrance set with rosettes = B-72330-□□-0-□
Cylinder hole-type – backplate design = PC – oval = 0 [refer to table]
Lever handle model = RONDO H1.1 = 1 [refer to table]
Finish = 8 = satin stainless steel [refer to table]



Combination RPZA 210

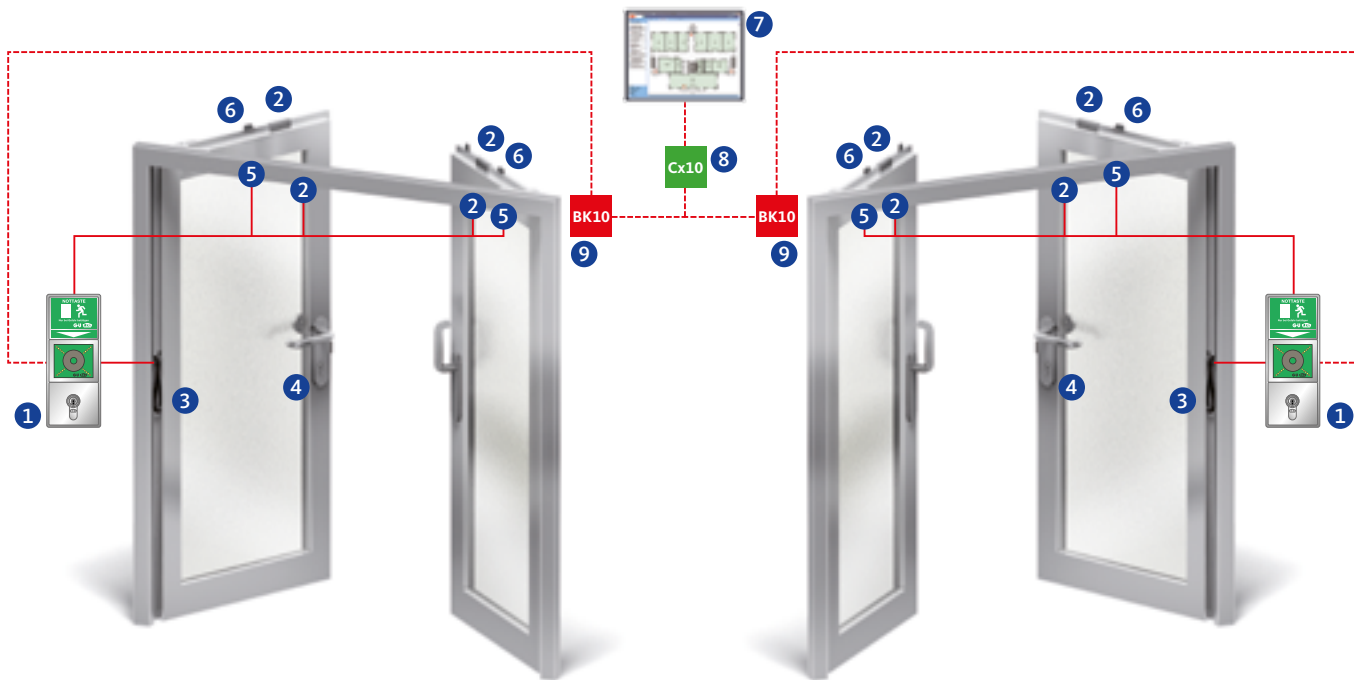
Panic function, double-leaf, automatic locking of passive leaf



Escape door locking

Centralised control and visualisation

Escape door locking



Monitoring contacts

Product	Cylinder cam monitoring	Latch monitoring	Deadbolt monitoring	Follower monitoring	Electrically coupled exterior lever handle	Combinable with electric strike
1849	■	-	■	■	-	-

Escape door locking

No.	Product	Description	See page
1	B 5580 09xx	Escape door terminal set with integral power supply unit	462
2	B 5469 0010	Door contact	473
3	6-xxxxx-xx-x-x	Cable link	424
4	B 5490 xxxx	Connecting cable for electrically coupled lock or lock monitoring	427
5	B 5465 xxxx	Electric escape door strike	470
6	B 5495 0010	Latch lock	470

Centralised control and visualisation

No.	Product	Description	See page
7	B 5580 0521	BKS-NET system software Online visualisation module OV10 (licence)	475
8	B 5580 0421	CU10 building bus coupler (USB interface)	477
9	B 5580 0411	BK10 in-wall bus coupler (without frame/cover)	477

Door closer/carrier bar

For detailed order information please refer to our door closer order catalogue.

Combination RPZAS 170

Panic function, double-leaf, automatic locking of passive leaf, SECURY



Inside



Outside

Functional description

Active leaf

Inside

The active leaf can be opened by the lever handle at any time (panic function). With a SECURY lock, the door is automatically locked without having to use the key.

Outside

The active leaf can only be opened with the key. With a SECURY lock, the door is automatically locked without having to use the key.

– Panic function E

Passive leaf

Inside

Active and passive leaf can be opened by the vertical lever at any time (panic function on both leaves). Upon closing, the passive leaf is locked automatically via the vertical rods. If the door is opened by the passive leaf, the carrier bar ensures that the active leaf is carried along far enough to activate the door-leaf coordinator, so the leaves can close in the appropriate sequence. This also guarantees that the two leaves cannot jam, not even with a small clearance. The closing sequence of the door is controlled by the door-leaf coordinator integrated in the door closer.

Possible applications

- Emergency exits to EN 179 in areas not accessible to the public
- Suitable for fire and smoke protection doors
- As the fixed knob or push/pull handle is on the outside, access from the outside is only possible using their key
- Suitable for very high entrance doors with a tendency to warp (only by agreement with the door fabricator and in compliance with approvals)
- Automatic multi-point locking
- Enhanced burglar protection and gasket pressure thanks to the additional locking
- Optional combination with electric access control and/or escape door security components (see the following pages)

Recommendation

- Museums
- Airports
- Stadiums
- Administrative areas
- Schools and universities
- Hospitals

Combination RPZAS 170

Panic function, double-leaf, automatic locking of passive leaf, SECURY



Active leaf:

1 = SECURY panic lock



Passive leaf:

- 2 = Shoot-bolt lock
- 3 = Passive leaf control lock
- 4 = Vertical rod
- 5 = Solid vertical rod
- 6 = Striker
- 7 = Floor striker
- 8 = Guide plate for vertical rod
- 9 = Latchbolt striker

Active leaf

No.	Product	Backset [mm]	Panic function E	U-faceplate 24 x 6 x 2 x 1750 mm	Additional PC/CH-RC versions see page
			Faceplate 24 x 3 x 1750 mm Non-handed	Non-handed	
1	1917 SECURY	35	6-B1917-08-L-8	6-B1917-01-L-8	368
		40	6-B1917-16-L-8	6-B1917-07-L-8	368
		45	6-B1917-10-L-8	6-B1917-03-L-8	368

Passive leaf

No.	Product	Backset [mm]	Faceplate 24 x 3 x 270 mm Non-handed	Additional versions see page
2	1990	35	B-19900-01-0-8	346
		40	B-19900-02-0-8	346
		45	B-19900-03-0-8	346
3	1895	30-45	B 1895 0003	382
4	9006	With end plug	B 9006 0013	408
5	9006	Solid	B 9006 0004	408
6	9000	For 1895	B 9000 0490	396
7	9009/B-0028	-	B 9009 0001 or B-00280-20-0-8	410
8	9019	-	B 9019 0001	411
9	Lipped striker	Non-handed	B 9000 0913	399
	Striker	Non-handed	9-43501-03-0-8	397

Combination RPZAS 170

Panic function, double-leaf, automatic locking of passive leaf, SECURITY



Inside



Outside

Active leaf: entrance set with rosettes

Order number*	Knob		
B-72330-□□-0-□	Round knob K1.1		
B-72530-□□-0-□	Ball knob K2.1		
□ Cylinder hole-type – backplate design	□ Lever handle model	□ Finish	
0 PC – oval	1 RONDO H1.1	1	Silver/EV1 look
1 PC – square	2 RONDO H1.2	3	PVD brass
2 CH-RC – oval	7 BELCANTO-Panik H3.1	7	Traffic white**
3 CH-RC – square	8 BELCANTO-Panik H3.2	8	Satin stainless steel
4 Without PC hole – oval	A OFFICE H4.2	**RAL 9016	
5 Without PC hole – square	C LEGATO H5.2		
6 Without key escutcheon – oval	E TREMOLO H6.2		
7 Without key escutcheon – square	G DIRIGENT H7.2		

Active leaf: entrance set with long backplates

Order number*	Knob		
B-72340-□□-0-□	Round knob K1.1		
B-72540-□□-0-□	Ball knob K2.1		
□ Cylinder hole-type – backplate design	□ Lever handle model	□ Finish	
4 Without PC hole – round	1 RONDO H1.1	1	Silver/EV1 look
5 Without PC hole – square	2 RONDO H1.2	3	PVD brass
6 PC 92 mm – round	7 BELCANTO-Panik H3.1	7	Traffic white**
7 PC 92 mm – square	8 BELCANTO-Panik H3.2	8	Satin stainless steel
8 CH-RC 94 mm – round	A OFFICE H4.2	**RAL 9016	
9 CH-RC 94 mm – square	C LEGATO H5.2		
	E TREMOLO H6.2		
	G DIRIGENT H7.2		

Passive leaf: vertical lever with rosette

Order number*			
B-72930-□□-0-□			
□ Cylinder hole-type – backplate design	□ Lever handle model	□ Finish	
0 Without PC hole – oval	1 RONDO H1.1	1	Silver/EV1 look
1 Without PC hole – square	2 RONDO H1.2	3	PVD brass
	7 BELCANTO-Panik H3.1	7	Traffic white**
	8 BELCANTO-Panik H3.2	8	Satin stainless steel
	A OFFICE H4.2	**RAL 9016	
	C LEGATO H5.2		
	E TREMOLO H6.2		
	G DIRIGENT H7.2		

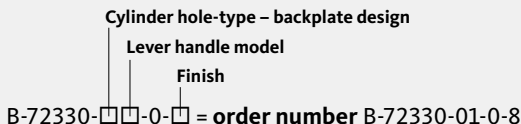
Passive leaf: vertical lever with long backplate

Order number*			
B-72940-□□-0-□			
□ Cylinder hole-type – backplate design	□ Lever handle model	□ Finish	
0 Without PC hole – round	0 RONDO H1.0	1	Silver/EV1 look
1 Without PC hole – square	1 RONDO H1.1	3	PVD brass
	7 BELCANTO-Panik H3.1	7	Traffic white**
	8 BELCANTO-Panik H3.2	8	Satin stainless steel
	A OFFICE H4.2	**RAL 9016	
	C LEGATO H5.2		
	E TREMOLO H6.2		
	G DIRIGENT H7.2		

Accessories: spindles and screws see from page 456 – more information about the lever handle sets from page 12

***Ordering example**

Active leaf: entrance set with rosettes = B-72330-□□-0-□
 Cylinder hole-type – backplate design = PC – oval = 0 [refer to table]
 Lever handle model = RONDO H1.1 = 1 [refer to table]
 Finish = 8 = satin stainless steel [refer to table]



Combination RPZAS 170

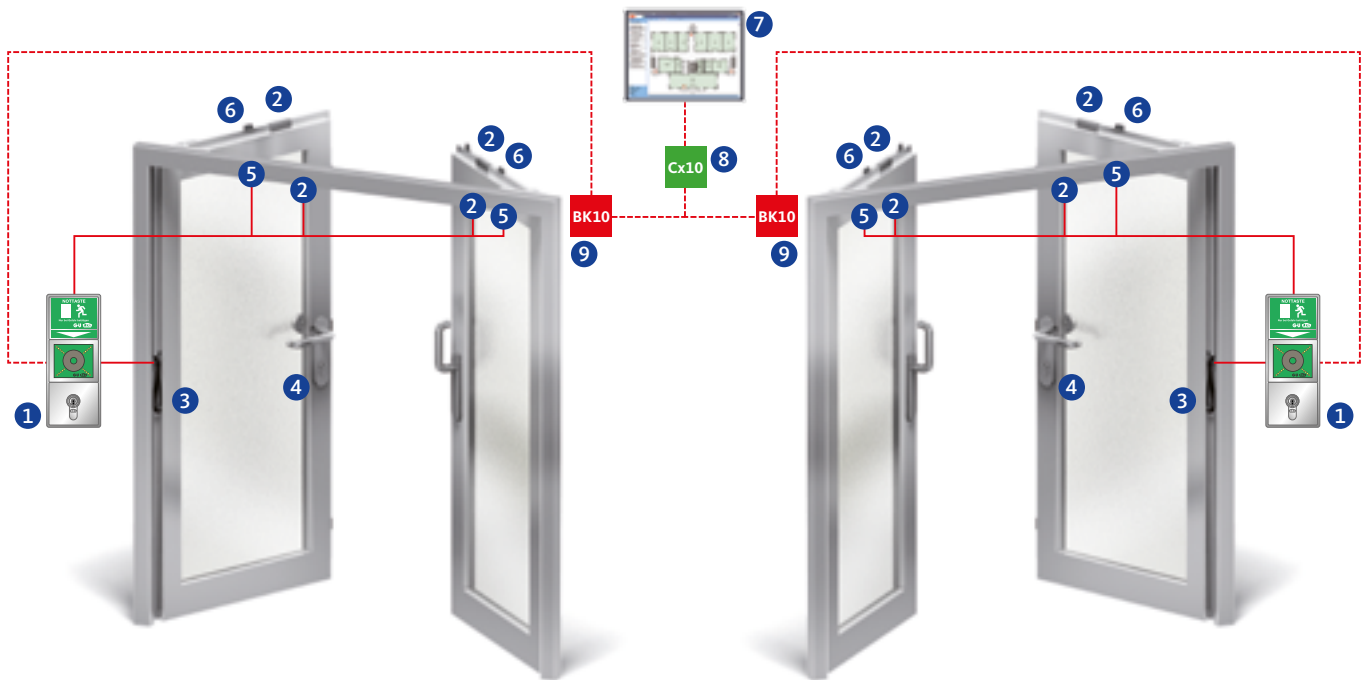
Panic function, double-leaf, automatic locking of passive leaf, SECURY



Escape door locking

Centralised control and visualisation

Escape door locking



Monitoring contacts

Product	Cylinder cam monitoring	Latch monitoring	Deadbolt monitoring	Follower monitoring	Electrically coupled exterior lever handle	Combinable with electric strike	With A-opener (motor)
6-B1917-xx-x	■	■	-	■	-	-	■

Escape door locking

No.	Product	Description	See page
1	B 5580 09xx	Escape door terminal set with integral power supply unit	462
2	B 5469 0010	Door contact	473
3	6-xxxx-xx-x-x	Cable link	424
4	B 5490 0300	Connecting cable for electrically coupled lock or lock monitoring	427
5	B 5465 xxxx	Electric escape door strike	470
6	B 5495 0010	Latch lock	470

Centralised control and visualisation

No.	Product	Description	See page
7	B 5580 0521	BKS-NET system software Online visualisation module OV10 (licence)	475
8	B 5580 0421	CU10 building bus coupler (USB interface)	477
9	B 5580 0411	BK10 in-wall bus coupler (without frame/cover)	477

Door closer/carrier bar

For detailed order information please refer to our door closer order catalogue.

Combination RPZA 115

Panic function, double-leaf, automatic locking of passive leaf



Functional description

Active leaf

Inside

The active leaf can be opened by the push bar at any time (panic function). With series 18, the door is locked with the key. With series 19, the door locks automatically without a key.

Outside

The active leaf is opened using the key and lever handle. With series 18, the door is locked with the key. With series 19, the door locks automatically without a key.

- Panic function B
- Panic function C
- Panic function D (not with series 19)

Passive leaf

Inside

Active and passive leaf can be opened by the push bar at any time (panic function on both leaves). Upon closing, the passive leaf is locked automatically via the vertical rods. If the door is opened by the passive leaf, the carrier bar ensures that the active leaf is carried along far enough to activate the door-leaf coordinator, so the leaves can close in the appropriate sequence. This also guarantees that the two leaves cannot jam, not even with a small clearance. The closing sequence of the door is controlled by the door-leaf coordinator integrated in the door closer.

Possible applications

- Escape doors to EN 1125 in public buildings
- Suitable for fire and smoke protection doors
- As the lever handle is on the outside, the door can be used as a connecting door from both sides depending on the particular panic function
- Optional combination with electric access control and/or escape door security components (see the following pages)

Recommendation

- Entrance doors to administrative and office buildings
- Homes for the elderly
- Secondary entrance doors
- Shopping centres
- Airports
- Stadiums
- Administrative areas

Combination RPZA 115

Panic function, double-leaf, automatic locking of passive leaf



Active leaf:

1 = Panic lock



Passive leaf:

2 = Shoot-bolt lock

3 = Passive-leaf control lock

4 = Vertical rod

5 = Solid vertical rod

6 = Striker

7 = Floor striker

8 = Guide plate for vertical rod

Active leaf

No.	Product	Backset [mm]	Panic function B Faceplate 24 x 3 x 270 mm Non-handed	Panic function C Faceplate 24 x 3 x 270 mm Non-handed	Panic function D Faceplate 24 x 3 x 270 mm Non-handed	Additional PC/CH-RC versions see page		
1	1821 B 1823 C 1825 D	35	B-18210-01-L-8	B-18230-02-L-8	B-18250-01-L-8	242 / 246 / 250		
		40	B-18210-02-L-8	B-18230-03-L-8	B-18250-02-L-8	242 / 246 / 250		
		45	B-18210-03-L-8	B-18230-04-L-8	B-18250-03-L-8	242 / 246 / 250		
	Product	Backset [mm]	Latch lever function Faceplate 24 x 3 x 270 mm Non-handed		U-faceplate 24 x 6 x 2 x 268 mm Non-handed		Additional PC/CH-RC versions see page	
			1971 Electrically coupled	35	B-19710-00-U-8	B-19710-11-U-8		340
				40	B-19710-02-U-8	B-19710-13-U-8		340
		45	B-19710-04-U-8	B-19710-14-U-8		340		
	Product	Backset [mm]	Panic function B Faceplate 24 x 3 x 270 mm Non-handed		U-faceplate 24 x 6 x 2 x 268 mm Non-handed	Panic function C Faceplate 24 x 3 x 270 mm Non-handed	Additional PC/CH-RC versions see page	
			1911 B 1913 C	35	B-19110-00-U-8	B-19110-10-U-8	B-19130-00-U-8	320 / 324
				40	B-19110-01-U-8	B-19110-11-U-8	B-19130-01-U-8	320 / 324
	45	B-19110-02-U-8	B-19110-12-U-8	B-19130-02-U-8	320 / 324			

Passive leaf

No.	Product	Backset [mm]	Faceplate 24 x 3 x 310 mm		Additional versions see page				
			DIN LH	DIN RH					
2	1793 prepared for electric strike	35	B 1793 6001	B 1793 6000	236				
		40	B 1793 6005	B 1793 6004	236				
		45	B 1793 6007	B 1793 6006	236				
	Product	Backset [mm]	Faceplate 24 x 3 x 270 mm Non-handed		Additional versions see page				
			1890 for series 18	1990 for series 19	35	B-18900-01-0-8	B-19900-01-0-8	294	346
					40	B-18900-02-0-8	B-19900-02-0-8	294	346
	45	B-18900-03-0-8	B-19900-03-0-8	294	346				
3	1895	30-45	B 1895 0003		382				
4	9006	With end plug	B 9006 0013		408				
5	9006	Solid	B 9006 0004		408				
6	9000	For 1895	B 9000 0490		396				
7	9009/B-0028	-	B 9009 0001 or B-00280-20-0-8		410				
8	9019	-	B 9019 0001		411				

Combination RPZA 115

Panic function, double-leaf, automatic locking of passive leaf



Inside



Outside

Active leaf: half lever set with rosettes

Order number*				
B-72130-□□-0-□				
□ Cylinder hole-type – backplate design	□ Lever handle model	□ Finish		
0 PC – oval	1 RONDO H1.1	1	Silver/EV1 look	
1 PC – square	2 RONDO H1.2	3	PVD brass	
2 CH-RC – oval	7 BELCANTO-Panik H3.1	7	Traffic white**	
3 CH-RC – square	8 BELCANTO-Panik H3.2	8	Satin stainless steel	
4 Without PC hole – oval	A OFFICE H4.2	**RAL 9016		
5 Without PC hole – square	C LEGATO H5.2			
6 Without key escutcheon – oval	E TREMOLO H6.2			
7 Without key escutcheon – square	G DIRIGENT H7.2			

Active leaf: half lever set with long backplate

Order number*				
B-72140-□□-0-□				
□ Cylinder hole-type – backplate design	□ Lever handle model	□ Finish		
4 Without PC hole – round	1 RONDO H1.1	1	Silver/EV1 look	
5 Without PC hole – square	2 RONDO H1.2	3	PVD brass	
6 PC 92 mm – round	7 BELCANTO-Panik H3.1	7	Traffic white**	
7 PC 92 mm – square	8 BELCANTO-Panik H3.2	8	Satin stainless steel	
8 CH-RC 94 mm – round	A OFFICE H4.2	**RAL 9016		
9 CH-RC 94 mm – square	C LEGATO H5.2			
	E TREMOLO H6.2			
	G DIRIGENT H7.2			

Active leaf: panic exit device according to EN 1125

Part number				
Locking component	Cylinder hole-type	Aluminium F1	Satin stainless steel	Page
Push bar	PC 92 mm	B-74000-30-0-1N	B-74000-30-0-8	436
	CH-RC 94 mm	B-74000-40-0-1N	B-74000-40-0-8	436
Crossbar	Length	Aluminium F1	Satin stainless steel	Page
	1150 mm	B 7100 4274	B 7100 4204	436
Locking component	Length	Aluminium F1	Satin stainless steel	Page
Touch bar	1158 mm	B-74410-02-0-1	B-74410-02-0-8	432

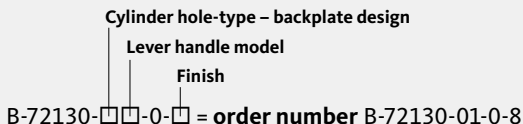
Passive leaf: panic exit device according to EN 1125

Part number				
Locking component	Cylinder hole-type	Aluminium F1	Satin stainless steel	Page
Push bar	Without PC hole	B-74000-00-0-1N	B-74000-00-0-8	436
	Length	Aluminium F1	Satin stainless steel	Page
Crossbar	1150 mm	B 7100 4274	B 7100 4204	436
	Locking component	Length	Aluminium F1	Satin stainless steel
Touch bar	1158 mm	B-74410-02-0-1	B-74410-02-0-8	432

Accessories: spindles and screws see from page 456 – more information about the lever handle sets from page 12

*Ordering example

Active leaf: half lever set with rosettes = B-72130-□□-0-□
 Cylinder hole-type – backplate design = PC – oval = 0 [refer to table]
 Lever handle model = RONDO H1.1 = 1 [refer to table]
 Finish = 8 = satin stainless steel [refer to table]



Combination RPZA 115

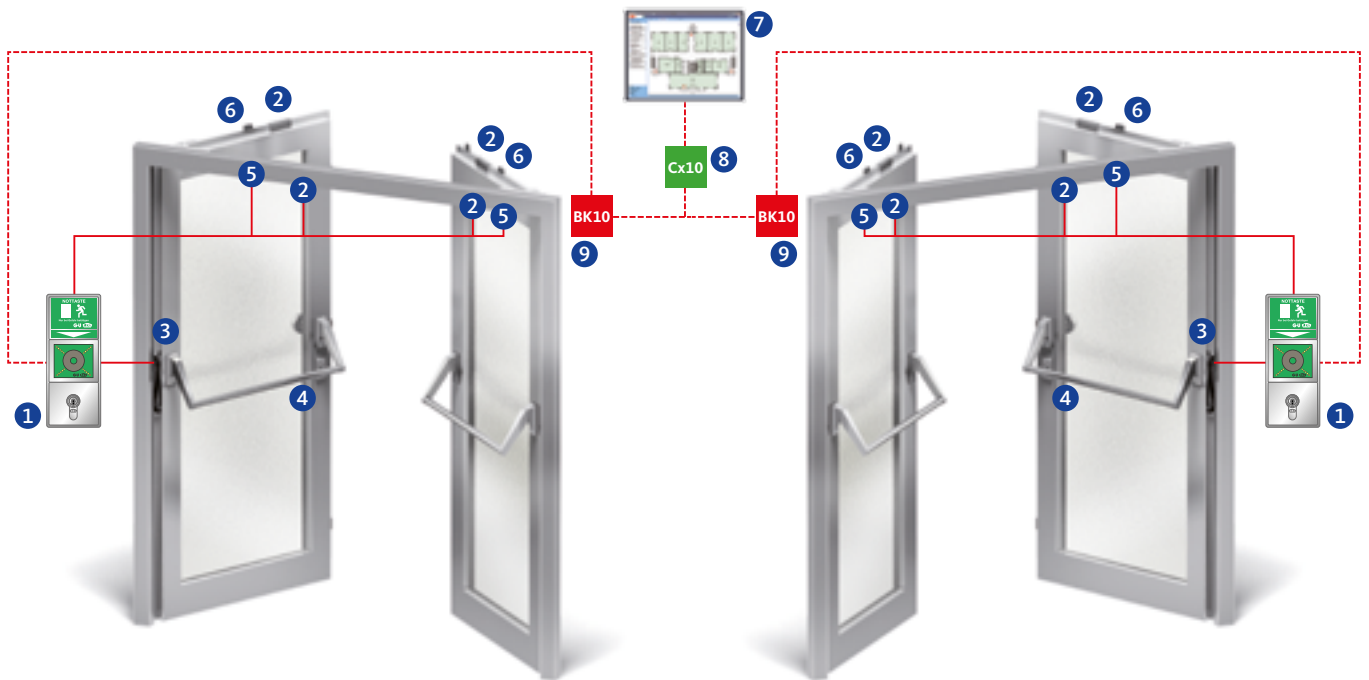
Panic function, double-leaf, automatic locking of passive leaf



Escape door locking

Centralised control and visualisation

Escape door locking



Monitoring contacts

Product	Cylinder cam monitoring	Latch monitoring	Deadbolt monitoring	Follower monitoring	Electrically coupled exterior lever handle	Combinable with electric strike
1821 / 1823 / 1825	■	■	■	■	-	■
1911	■	■	-	■	-	-
1913	■	■	-	■	-	-
1971	Including	Including	-	Including	■	-

Escape door locking

No.	Product	Description	See page
1	B 5580 09xx	Escape door terminal set with integral power supply unit	462
2	B 5469 0010	Door contact	473
3	6-xxxxx-xx-x-x	Cable link	424
4	B 5490 xxxx	Connecting cable for electrically coupled lock or lock monitoring	427
5	B 5465 xxxx	Electric escape door strike	470
6	B 5495 0010	Latch lock	470

Centralised control and visualisation

No.	Product	Description	See page
7	B 5580 0521	BKS-NET system software Online visualisation module OV10 (licence)	475
8	B 5580 0421	CU10 building bus coupler (USB interface)	477
9	B 5580 0411	BK10 in-wall bus coupler (without frame/cover)	477

Door closer/carrier bar

For detailed order information please refer to our door closer order catalogue.

Combination RPZA 115-M

Panic function, double-leaf, automatic locking of passive leaf, motor-driven opening



Inside



Outside

Functional description

Active leaf

Inside

The active leaf can be opened by the push bar at any time (panic function). With series 18, the door is locked with the key. With series 19, the door locks automatically without a key.

Outside

The active leaf is opened using the key and lever handle. With series 18, the door is locked with the key. With series 19, the door locks automatically without a key.

- Panic function B
- Panic function C
- Panic function D (not with series 19)

Passive leaf

Inside

Active and passive leaf can be opened by the push bar at any time (panic function on both leaves). Upon closing, the passive leaf is locked automatically via the vertical rods. If the door is opened by the passive leaf, the carrier bar ensures that the active leaf is carried along far enough to activate the door-leaf coordinator, so the leaves can close in the appropriate sequence. This also guarantees that the two leaves cannot jam, not even with a small clearance. The closing sequence of the door is controlled by the door-leaf coordinator integrated in the door closer.

Possible applications

- Escape doors to EN 1125 in public areas, in conjunction with a swing-door drive
- Suitable for fire and smoke protection doors
- As the lever handle is on the outside, the door can be used as a connecting door from both sides depending on the particular panic function
- Optional combination with electric access control and/or escape door security components (see the following pages)

Recommendation

- Entrance doors to administrative and office buildings
- Homes for the elderly
- Shopping centres
- Airports
- Stadiums
- Administrative areas

Combination RPZA 115-M

Panic function, double-leaf, automatic locking of passive leaf, motor-driven opening



Active leaf:

1 = Panic lock



Passive leaf:

- 2 = Motor-driven shoot-bolt lock
- 3 = Passive-leaf control lock
- 4 = Vertical rod
- 5 = Solid vertical rod
- 6 = Striker
- 7 = Floor striker
- 8 = Guide plate for vertical rod

Active leaf

No.	Product	Backset [mm]	Panic function B Faceplate 24 x 3 x 270 mm Non-handed	Panic function C Faceplate 24 x 3 x 270 mm Non-handed	Panic function D Faceplate 24 x 3 x 270 mm Non-handed	Additional PC/CH-RC versions see page	
1	1821 B 1823 C 1825 D	35	B-18210-01-L-8	B-18230-02-L-8	B-18250-01-L-8	242 / 246 / 250	
		40	B-18210-02-L-8	B-18230-03-L-8	B-18250-02-L-8	242 / 246 / 250	
		45	B-18210-03-L-8	B-18230-04-L-8	B-18250-03-L-8	242 / 246 / 250	
	Product	Backset [mm]	Latch lever function				Additional PC/CH-RC versions see page
			Faceplate 24 x 3 x 270 mm Non-handed	U-faceplate 24 x 6 x 2 x 268 mm Non-handed			
			35	B-19710-00-U-8	B-19710-11-U-8		
	1971 Electrically coupled	40	B-19710-02-U-8	B-19710-13-U-8		340	
		45	B-19710-04-U-8	B-19710-14-U-8		340	
	Product	Backset [mm]	Panic function B		Panic function C		Additional PC/CH-RC versions see page
			Faceplate 24 x 3 x 270 mm Non-handed	U-faceplate 24 x 6 x 2 x 268 mm Non-handed	Faceplate 24 x 3 x 270 mm Non-handed		
			35	B-19110-00-U-8	B-19110-10-U-8	B-19130-00-U-8	
	1911 B 1913 C	40	B-19110-01-U-8	B-19110-11-U-8	B-19130-01-U-8	320 / 324	
45		B-19110-02-U-8	B-19110-12-U-8	B-19130-02-U-8	320 / 324		

Passive leaf

No.	Product	Backset [mm]	Faceplate 24 x 3 x 310 mm Non-handed	Non-handed	Additional versions see page
2	1893 for series 18 1993 for series 19	35	B-18930-00-0-8	B-19930-00-0-8	300 348
		40	B-18930-01-0-8	B-19930-01-0-8	300 348
		45	B-18930-02-0-8	B-19930-02-0-8	300 348
3	1895	30-45	B 1895 0003		382
4	9006	With end plug	B 9006 0013		408
5	9006	Solid	B 9006 0004		408
6	9000	For 1895	B 9000 0490		396
7	9009/B-0028	-	B 9009 0001 or B-00280-20-0-8		410
8	9019	-	B 9019 0001		411

Combination RPZA 115-M

Panic function, double-leaf, automatic locking of passive leaf, motor-driven opening



Inside



Outside

Active leaf: half lever set with rosettes

Order number*				
B-72130-□□-0-□				
□ Cylinder hole-type – backplate design	□ Lever handle model	□ Finish		
0 PC – oval	1 RONDO H1.1	1	Silver/EV1 look	
1 PC – square	2 RONDO H1.2	3	PVD brass	
2 CH-RC – oval	7 BELCANTO-Panik H3.1	7	Traffic white**	
3 CH-RC – square	8 BELCANTO-Panik H3.2	8	Satin stainless steel	
4 Without PC hole – oval	A OFFICE H4.2	**RAL 9016		
5 Without PC hole – square	C LEGATO H5.2			
6 Without key escutcheon – oval	E TREMOLO H6.2			
7 Without key escutcheon – square	G DIRIGENT H7.2			

Active leaf: half lever set with long backplate

Order number*				
B-72140-□□-0-□				
□ Cylinder hole-type – backplate design	□ Lever handle model	□ Finish		
4 Without PC hole – round	1 RONDO H1.1	1	Silver/EV1 look	
5 Without PC hole – square	2 RONDO H1.2	3	PVD brass	
6 PC 92 mm – round	7 BELCANTO-Panik H3.1	7	Traffic white**	
7 PC 92 mm – square	8 BELCANTO-Panik H3.2	8	Satin stainless steel	
8 CH-RC 94 mm – round	A OFFICE H4.2	**RAL 9016		
9 CH-RC 94 mm – square	C LEGATO H5.2			
	E TREMOLO H6.2			
	G DIRIGENT H7.2			

Active leaf: panic exit device according to EN 1125

Part number				
Locking component	Cylinder hole-type	Aluminium F1	Satin stainless steel	Page
Push bar	PC 92 mm	B-74000-30-0-1N	B-74000-30-0-8	436
	CH-RC 94 mm	B-74000-40-0-1N	B-74000-40-0-8	436
Crossbar	Length	Aluminium F1	Satin stainless steel	Page
	1150 mm	B 7100 4274	B 7100 4204	436
Locking component	Length	Aluminium F1	Satin stainless steel	Page
Touch bar	1158 mm	B-74410-02-0-1	B-74410-02-0-8	432

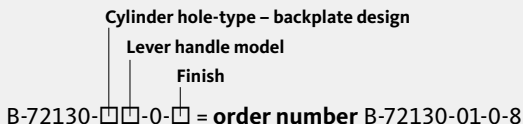
Passive leaf: panic exit device according to EN 1125

Part number				
Locking component	Cylinder hole-type	Aluminium F1	Satin stainless steel	Page
Push bar	Without PC hole	B-74000-00-0-1N	B-74000-00-0-8	436
Crossbar	Length	Aluminium F1	Satin stainless steel	Page
	1150 mm	B 7100 4274	B 7100 4204	436
Locking component	Length	Aluminium F1	Satin stainless steel	Page
Touch bar	1158 mm	B-74410-02-0-1	B-74410-02-0-8	432

Accessories: spindles and screws see from page 456 – **more information** about the lever handle sets from page 12

***Ordering example**

Active leaf: half lever set with rosettes = B-72130-□□-0-□
 Cylinder hole-type – backplate design = PC – oval = 0 [refer to table]
 Lever handle model = RONDO H1.1 = 1 [refer to table]
 Finish = 8 = satin stainless steel [refer to table]



Combination RPZA 115-M

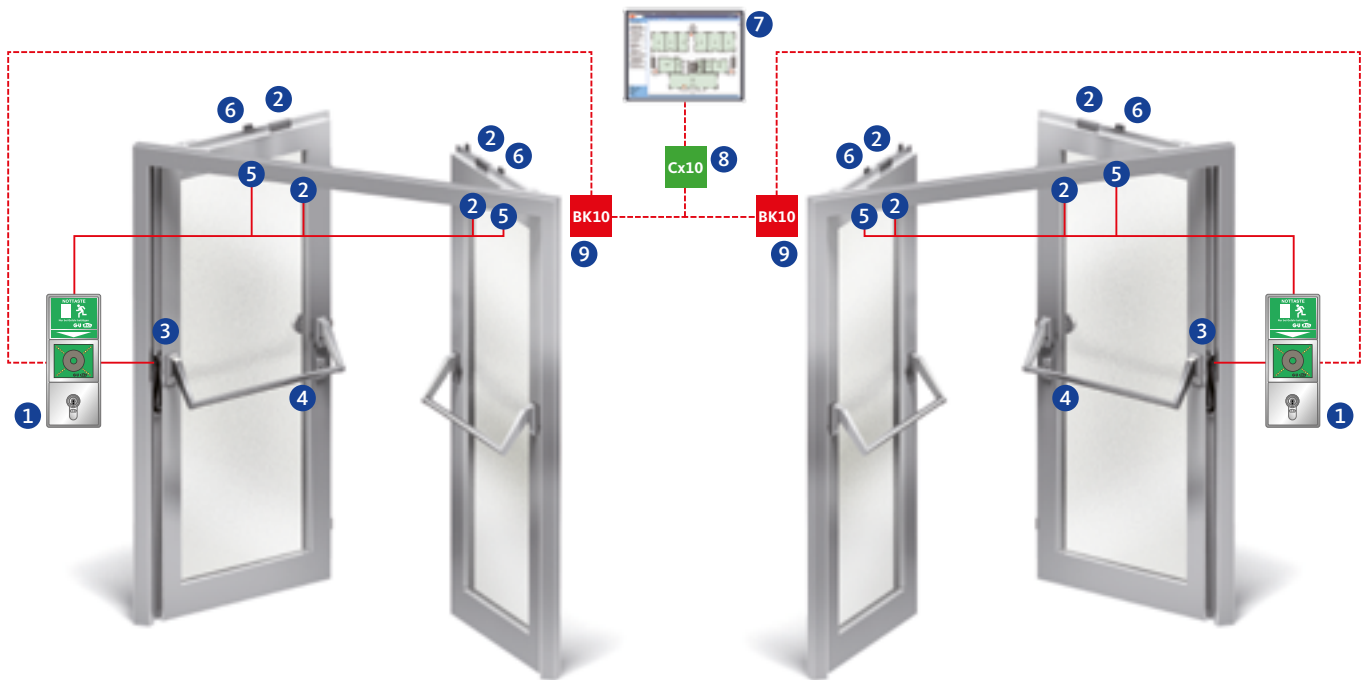
Panic function, double-leaf, automatic locking of passive leaf, motor-driven opening



Escape door locking

Centralised control and visualisation

Escape door locking



Monitoring contacts

Product	Cylinder cam monitoring	Latch monitoring	Deadbolt monitoring	Follower monitoring	Electrically coupled exterior lever handle	Combinable with electric strike
1821 / 1823 / 1825	■	■	■	■	-	■
1911	■	■	-	■	-	-
1913	■	■	-	■	-	-
1971	Including	Including	-	Including	■	-

Escape door locking

No.	Product	Description	See page
1	B 5580 09xx	Escape door terminal set with integral power supply unit	462
2	B 5469 0010	Door contact	473
3	6-xxxxx-xx-x-x	Cable link	424
4	B 5490 xxxx	Connecting cable for electrically coupled lock or lock monitoring	427
5	B 5465 xxxx	Electric escape door strike	470
6	B 5495 0010	Latch lock	470

Centralised control and visualisation

No.	Product	Description	See page
7	B 5580 0521	BKS-NET system software Online visualisation module OV10 (licence)	475
8	B 5580 0421	CU10 building bus coupler (USB interface)	477
9	B 5580 0411	BK10 in-wall bus coupler (without frame/cover)	477

Door closer/carrier bar

For detailed order information please refer to our door closer order catalogue.

Combination RPZO 115

Panic function, double-leaf, active leaf with top-locking



Inside



Outside

Functional description

Active leaf

Inside

The active leaf can be opened by the push bar at any time (panic function). With series 18, the door is locked with the key. With series 19, the door locks automatically without a key.

Outside

The active leaf is opened using the key and lever handle. With series 18, the door is locked with the key. With series 19, the door locks automatically without a key.

- Panic function B
- Panic function C
- Panic function D (not with series 19)

Passive leaf

Inside

Active and passive leaf can be opened by the push bar at any time (panic function on both leaves). Upon closing, the passive leaf is locked automatically via the vertical rods. If the door is opened by the passive leaf, the carrier bar ensures that the active leaf is carried along far enough to activate the door-leaf coordinator, so the leaves can close in the appropriate sequence. This also guarantees that the two leaves cannot jam, not even with a small clearance. The closing sequence of the door is controlled by the door-leaf coordinator integrated in the door closer.

Possible applications

- Escape doors to EN 1125 in public buildings
- Suitable for fire and smoke protection doors
- As the lever handle is on the outside, the door can be used as a connecting door from both sides depending on the particular panic function
- Suitable for very high entrance doors with a tendency to warp (only by agreement with the door fabricator and in compliance with approvals)
- Enhanced burglar protection and gasket pressure thanks to the additional top-locking
- Optional combination with electric access control and/or escape door security components (see the following pages)

Recommendation

- Hallway doors in office buildings
- Homes for the elderly
- Secondary entrance doors
- Shopping centres
- Airports
- Stadiums
- Administrative areas

Combination RPZO 115

Panic function, double-leaf, active leaf with top-locking



Active leaf:

- 1 = Panic lock with top-locking
- 2 = Spring-operated top latch
- 3 = Vertical top rod
- 8 = Striker

Passive leaf:

- 4 = Shoot-bolt lock
- 5 = Passive-leaf control lock
- 6 = Vertical rod
- 7 = Solid vertical rod
- 8 = Striker
- 9 = Floor striker
- 10 = Guide plate for vertical rod

Active leaf								
No.	Product	Backset [mm]	Panic function B Faceplate 24 x 3 x 270 mm Non-handed	Panic function C Faceplate 24 x 3 x 270 mm (320 mm) Non-handed	Panic function D Faceplate 24 x 3 x 270 mm Non-handed	Additional PC/CH-RC versions see page		
1	1831 B 1833 C 1835 D	35	B-18310-01-L-8	B-18330-01-L-8	B-18350-01-L-8	258 / 262 / 266		
		40	B-18310-02-L-8	B-18330-02-L-8	B-18350-02-L-8	258 / 262 / 266		
		45	B-18310-03-L-8	B-18330-03-L-8	B-18350-03-L-8	258 / 262 / 266		
	1981 Electrically coupled	Latch lever function Faceplate 24 x 3 x 320 mm Non-handed					Additional PC/CH-RC versions see page	
		35	B-19810-00-U-8				344	
		40	B-19810-02-U-8				344	
		45	B-19810-03-U-8				344	
	1901 B 1903 C	Panic function B Faceplate 24 x 3 x 270 mm Non-handed	U-faceplate 24 x 6 x 2 x 268 mm Non-handed	Panic function C Faceplate 24 x 3 x 270 mm Non-handed		U-faceplate 24 x 6 x 2 x 268 mm Non-handed		Additional PC/CH-RC versions see page
				B-19010-00-U-8	B-19010-06-U-8	B-19030-00-U-8	B-19030-06-U-8	
		35	B-19010-01-U-8	B-19010-07-U-8	B-19030-01-U-8	B-19030-07-U-8	308 / 312	
40		B-19010-02-U-8	B-19010-08-U-8	B-19030-02-U-8	B-19030-08-U-8	308 / 312		
45	B-19010-02-U-8	B-19010-08-U-8	B-19030-02-U-8	B-19030-08-U-8	308 / 312			
2	1795	35, 40, 45	B 1795 0001			381		
3	9006 for series 18/19	35, 40, 45	Rod length	1385 mm	B 9006 0022	408		
				1500 mm	B 9006 0013	408		

Passive leaf						
No.	Product	Backset [mm]	Faceplate 24 x 3 x 270 mm		Additional versions see page	
			Non-handed	Non-handed		
4	1890 for series 18 1990 for series 19	35	B-18900-01-0-8	B-19900-01-0-8	294	346
		40	B-18900-02-0-8	B-19900-02-0-8	294	346
		45	B-18900-03-0-8	B-19900-03-0-8	294	346
5	1895	30-45	B 1895 0003		382	
6	9006	With end plug	B 9006 0013		408	
7	9006	Solid	B 9006 0004		408	
8	9000	For 1895/1795	B 9000 0490 and B 9000 0567		396	
9	9009/B-0028	-	B 9009 0001 or B-00280-20-0-8		410	
10	9019	-	B 9019 0001		411	

Combination RPZO 115

Panic function, double-leaf, active leaf with top-locking



Inside



Outside

Active leaf: half lever set with rosettes

Order number*				
B-72130-□□-0-□				
□ Cylinder hole-type – backplate design	□ Lever handle model	□ Finish		
0 PC – oval	1 RONDO H1.1	1	Silver/EV1 look	
1 PC – square	2 RONDO H1.2	3	PVD brass	
2 CH-RC – oval	7 BELCANTO-Panik H3.1	7	Traffic white**	
3 CH-RC – square	8 BELCANTO-Panik H3.2	8	Satin stainless steel	
4 Without PC hole – oval	A OFFICE H4.2	**RAL 9016		
5 Without PC hole – square	C LEGATO H5.2			
6 Without key escutcheon – oval	E TREMOLO H6.2			
7 Without key escutcheon – square	G DIRIGENT H7.2			

Active leaf: half lever set with long backplate

Order number*				
B-72140-□□-0-□				
□ Cylinder hole-type – backplate design	□ Lever handle model	□ Finish		
4 Without PC hole – round	1 RONDO H1.1	1	Silver/EV1 look	
5 Without PC hole – square	2 RONDO H1.2	3	PVD brass	
6 PC 92 mm – round	7 BELCANTO-Panik H3.1	7	Traffic white**	
7 PC 92 mm – square	8 BELCANTO-Panik H3.2	8	Satin stainless steel	
8 CH-RC 94 mm – round	A OFFICE H4.2	**RAL 9016		
9 CH-RC 94 mm – square	C LEGATO H5.2			
	E TREMOLO H6.2			
	G DIRIGENT H7.2			

Active leaf: panic exit device according to EN 1125

Part number				
Locking component	Cylinder hole-type	Aluminium F1	Satin stainless steel	Page
Push bar	PC 92 mm	B-74000-30-0-1N	B-74000-30-0-8	436
	CH-RC 94 mm	B-74000-40-0-1N	B-74000-40-0-8	436
Crossbar	Length	Aluminium F1	Satin stainless steel	Page
	1150 mm	B 7100 4274	B 7100 4204	436
Locking component	Length	Aluminium F1	Satin stainless steel	Page
Touch bar	1158 mm	B-74410-02-0-1	B-74410-02-0-8	432

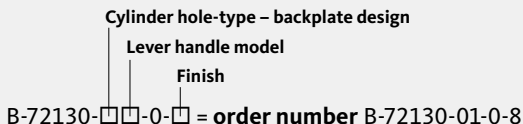
Passive leaf: panic exit device according to EN 1125

Part number				
Locking component	Cylinder hole-type	Aluminium F1	Satin stainless steel	Page
Push bar	Without PC hole	B-74000-00-0-1N	B-74000-00-0-8	436
	Length	Aluminium F1	Satin stainless steel	Page
Crossbar	1150 mm	B 7100 4274	B 7100 4204	436
	Locking component	Length	Aluminium F1	Satin stainless steel
Touch bar	1158 mm	B-74410-02-0-1	B-74410-02-0-8	432

Accessories: spindles and screws see from page 456 – more information about the lever handle sets from page 12

*Ordering example

Active leaf: half lever set with rosettes = B-72130-□□-0-□
 Cylinder hole-type – backplate design = PC – oval = 0 [refer to table]
 Lever handle model = RONDO H1.1 = 1 [refer to table]
 Finish = 8 = satin stainless steel [refer to table]



Combination RPZO 115

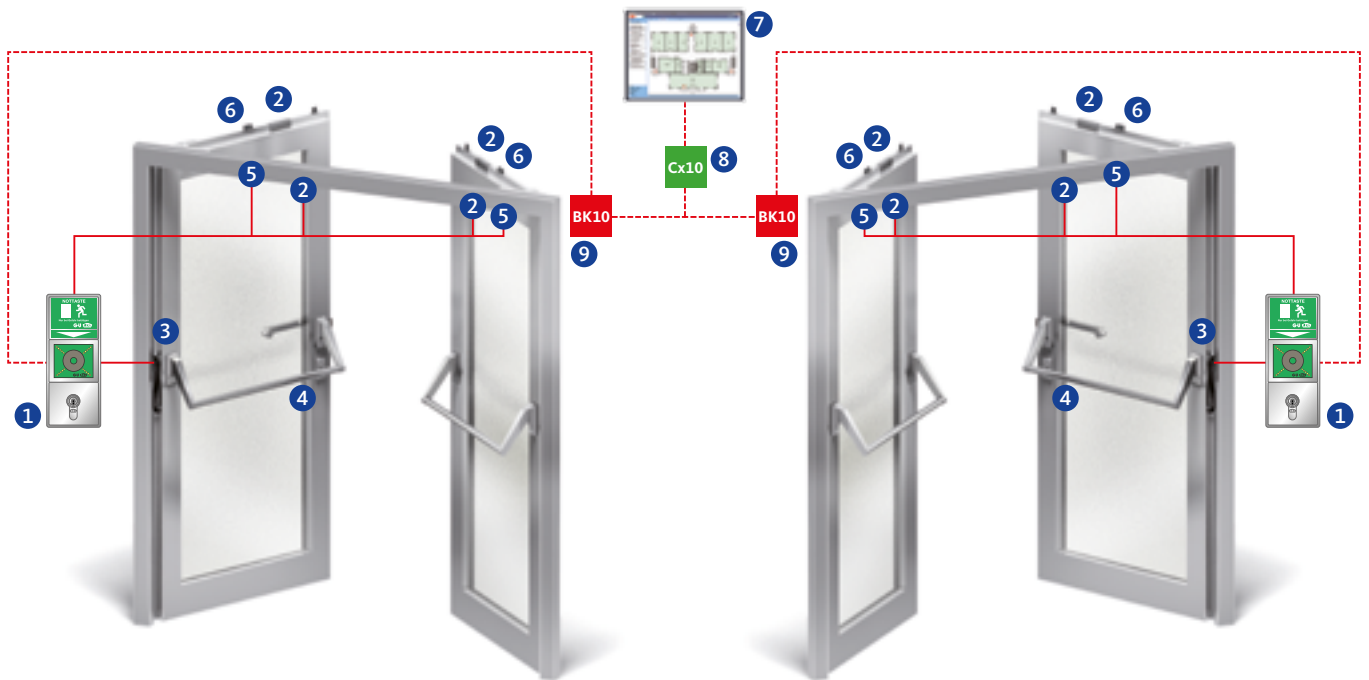
Panic function, double-leaf, active leaf with top-locking



Escape door locking

Centralised control and visualisation

Escape door locking



Monitoring contacts

Product	Cylinder cam monitoring	Latch monitoring	Deadbolt monitoring	Follower monitoring	Electrically coupled exterior lever handle	Combinable with electric strike
1831 / 1833 / 1835	■	■	■	■	-	■
1901 / 1903	■	■	-	■	-	-

Escape door locking

No.	Product	Description	See page
1	B 5580 09xx	Escape door terminal set with integral power supply unit	462
2	B 5469 0010	Door contact	473
3	6-xxxxx-xx-x-x	Cable link	424
4	B 5490 xxxx	Connecting cable for electrically coupled lock or lock monitoring	427
5	B 5465 xxxx	Electric escape door strike	470
6	B 5495 0010	Latch lock	470

Centralised control and visualisation

No.	Product	Description	See page
7	B 5580 0521	BKS-NET system software Online visualisation module OV10 (licence)	475
8	B 5580 0421	CU10 building bus coupler (USB interface)	477
9	B 5580 0411	BK10 in-wall bus coupler (without frame/cover)	477

Door closer/carrier bar

For detailed order information please refer to our door closer order catalogue.

Combination RPZAS 115

Panic function, double-leaf, automatic locking of passive leaf, SECURITY



Inside



Outside



Functional description

Active leaf

Inside

The active leaf can be opened by the push bar at any time (panic function). With a SECURITY lock, the door locks automatically without having to use the key.

Outside

The active leaf is opened using the key and lever handle. With a SECURITY lock, the door locks automatically without having to use the key.

- Panic function B
- Panic function C

Passive leaf

Inside

Active and passive leaf can be opened by the push bar at any time (panic function on both leaves). Upon closing, the passive leaf is locked automatically via the vertical rods. If the door is opened by the passive leaf, the carrier bar ensures that the active leaf is carried along far enough to activate the door-leaf coordinator, so the leaves can close in the appropriate sequence. This also guarantees that the two leaves cannot jam, not even with a small clearance. The closing sequence of the door is controlled by the door-leaf coordinator integrated in the door closer.

Possible applications

- Escape door to EN 1125 in public buildings
- Suitable for fire and smoke protection doors
- As the lever handle is on the outside, the door can be used as a connecting door from both sides depending on the particular panic function
- Suitable for very high entrance doors with a tendency to warp (only by agreement with the door fabricator and in compliance with approvals)
- Automatic multi-point locking
- Enhanced burglar protection and gasket pressure thanks to the additional locking
- Optional combination with electric access control and/or escape door security components (see the following pages)

Recommendation

- Entrance doors to administrative and office buildings
- Homes for the elderly
- Service doors
- Museums
- Airports
- Stadiums
- Administrative areas

Combination RPZAS 115

Panic function, double-leaf, automatic locking of passive leaf, SECURY



Active leaf:

1 = SECURY panic lock



Passive leaf:

- 2 = Shoot-bolt lock
- 3 = Passive leaf control lock
- 4 = Vertical rod
- 5 = Solid vertical rod
- 6 = Striker
- 7 = Floor striker
- 8 = Guide plate for vertical rod
- 9 = Latchbolt striker

Active leaf

No.	Product	Backset [mm]	Panic function B	U-faceplate 24 x 6 x 2 x 1750 mm	Additional PC/CH-RC versions see page
			Faceplate 24 x 3 x 1750 mm Non-handed	Non-handed	
1	1911 SECURY	35	6-B1911-11-L-8	6-B1911-01-L-8	356
		40	6-B1911-12-L-8	6-B1911-04-L-8	356
		45	6-B1911-06-L-8	6-B1911-03-L-8	356

Passive leaf

No.	Product	Backset [mm]	Faceplate 24 x 3 x 270 mm Non-handed	Additional versions see page
2	1990	35	B-19900-01-0-8	346
		40	B-19900-02-0-8	346
		45	B-19900-03-0-8	346
3	1895	30-45	B 1895 0003	382
4	9006	With end plug	B 9006 0013	408
5	9006	Solid	B 9006 0004	408
6	9000	For 1895	B 9000 0490	396
7	9009/B-0028	-	B 9009 0001 or B-00280-20-0-8	410
8	9019	-	B 9019 0001	411
9	Lipped striker	Non-handed	B 9000 0913	399
	Striker	Non-handed	9-43501-03-0-8	397

Combination RPZAS 115

Panic function, double-leaf, automatic locking of passive leaf, SECURITY



Inside



Outside

Active leaf: half lever set with rosettes

Order number*				
B-72130-□□-0-□				
□ Cylinder hole-type – backplate design	□ Lever handle model	□ Finish		
0 PC – oval	1 RONDO H1.1	1	Silver/EV1 look	
1 PC – square	2 RONDO H1.2	3	PVD brass	
2 CH-RC – oval	7 BELCANTO-Panik H3.1	7	Traffic white**	
3 CH-RC – square	8 BELCANTO-Panik H3.2	8	Satin stainless steel	
4 Without PC hole – oval	A OFFICE H4.2	**RAL 9016		
5 Without PC hole – square	C LEGATO H5.2			
6 Without key escutcheon – oval	E TREMOLO H6.2			
7 Without key escutcheon – square	G DIRIGENT H7.2			

Active leaf: half lever set with long backplate

Order number*				
B-72140-□□-0-□				
□ Cylinder hole-type – backplate design	□ Lever handle model	□ Finish		
4 Without PC hole – round	1 RONDO H1.1	1	Silver/EV1 look	
5 Without PC hole – square	2 RONDO H1.2	3	PVD brass	
6 PC 92 mm – round	7 BELCANTO-Panik H3.1	7	Traffic white**	
7 PC 92 mm – square	8 BELCANTO-Panik H3.2	8	Satin stainless steel	
8 CH-RC 94 mm – round	A OFFICE H4.2	**RAL 9016		
9 CH-RC 94 mm – square	C LEGATO H5.2			
	E TREMOLO H6.2			
	G DIRIGENT H7.2			

Active leaf: panic exit device according to EN 1125

Part number				
Locking component	Cylinder hole-type	Aluminium F1	Satin stainless steel	Page
Push bar	PC 92 mm	B-74000-30-0-1N	B-74000-30-0-8	436
	CH-RC 94 mm	B-74000-40-0-1N	B-74000-40-0-8	436
Crossbar	Length	Aluminium F1	Satin stainless steel	Page
	1150 mm	B 7100 4274	B 7100 4204	436
Locking component	Length	Aluminium F1	Satin stainless steel	Page
Touch bar	1158 mm	B-74410-02-0-1	B-74410-02-0-8	432

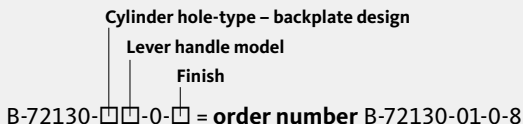
Passive leaf: panic exit device according to EN 1125

Part number				
Locking component	Cylinder hole-type	Aluminium F1	Satin stainless steel	Page
Push bar	Without PC hole	B-74000-00-0-1N	B-74000-00-0-8	436
	Length	Aluminium F1	Satin stainless steel	Page
Crossbar	1150 mm	B 7100 4274	B 7100 4204	436
	Locking component	Length	Aluminium F1	Satin stainless steel
Touch bar	1158 mm	B-74410-02-0-1	B-74410-02-0-8	432

Accessories: spindles and screws see from page 456 – more information about the lever handle sets from page 12

*Ordering example

Active leaf: half lever set with rosettes = B-72130-□□-0-□
 Cylinder hole-type – backplate design = PC – oval = 0 [refer to table]
 Lever handle model = RONDO H1.1 = 1 [refer to table]
 Finish = 8 = satin stainless steel [refer to table]



Combination RPZAS 115

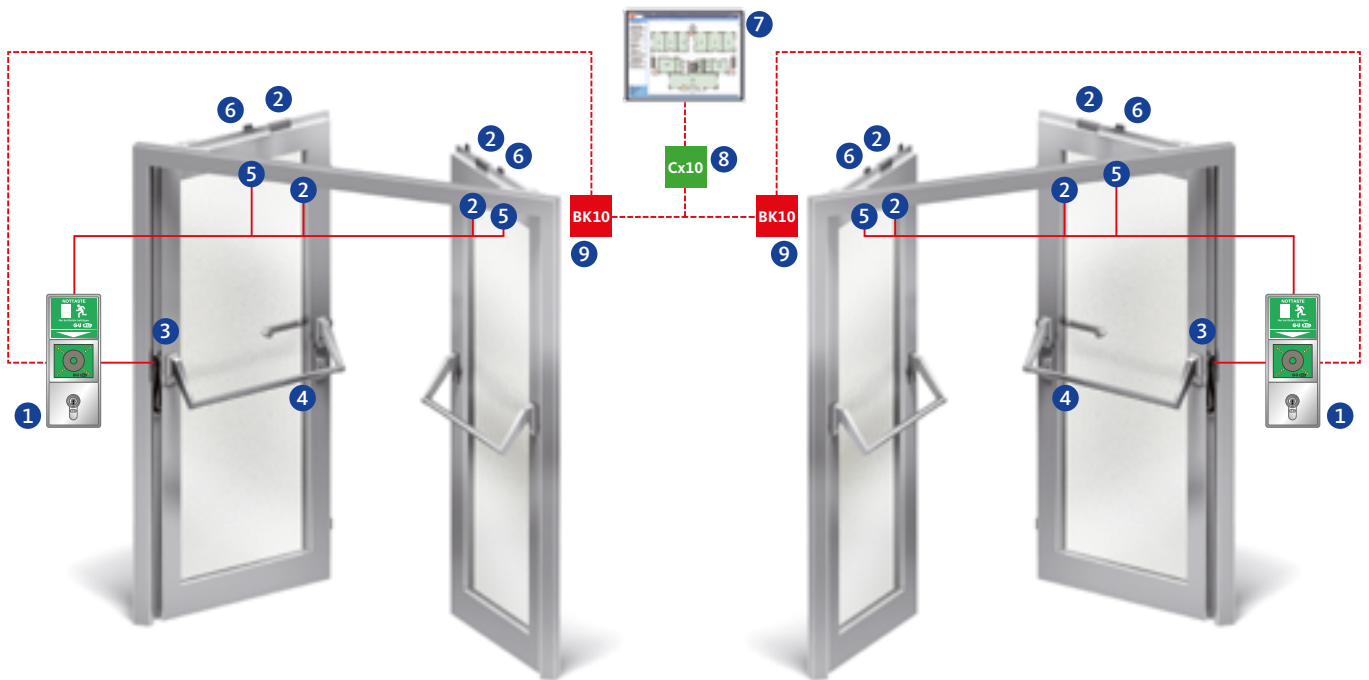
Panic function, double-leaf, automatic locking of passive leaf, SECURITY



Escape door locking

Centralised control and visualisation

Escape door locking



Monitoring contacts

Product	Cylinder cam monitoring	Latch monitoring	Deadbolt monitoring	Follower monitoring	Electrically coupled exterior lever handle	Combinable with electric strike	With A-opener (motor)
6-B1911-xx-x	■	■	-	■	-	-	■

Escape door locking

No.	Product	Description	See page
1	B 5580 09xx	Escape door terminal set with integral power supply unit	462
2	B 5469 0010	Door contact	473
3	6-xxxx-xx-x-x	Cable link	424
4	B 5490 0300	Connecting cable for electrically coupled lock or lock monitoring	427
5	B 5465 xxxx	Electric escape door strike	470
6	B 5495 0010	Latch lock	470

Centralised control and visualisation

No.	Product	Description	See page
7	B 5580 0521	BKS-NET system software Online visualisation module OV10 (licence)	475
8	B 5580 0421	CU10 building bus coupler (USB interface)	477
9	B 5580 0411	BK10 in-wall bus coupler (without frame/cover)	477

Door closer/carrier bar

For detailed order information please refer to our door closer order catalogue.

Combination RPZA 175

Panic function, double-leaf, automatic locking of passive leaf



Inside



Outside

Functional description

Active leaf

Inside

The active leaf can be opened by the push bar at any time (panic function). With series 18, the door is locked with the key. With series 19, the door locks automatically without a key.

Outside

The active leaf can only be opened with the key. With series 18, the door is locked with the key. With series 19, the door locks automatically without a key.
– Panic function E

Passive leaf

Inside

Active and passive leaf can be opened by the push bar at any time (panic function on both leaves). Upon closing, the passive leaf is locked automatically via the vertical rods. If the door is opened by the passive leaf, the carrier bar ensures that the active leaf is carried along far enough to activate the door-leaf coordinator, so the leaves can close in the appropriate sequence. This also guarantees that the two leaves cannot jam, not even with a small clearance. The closing sequence of the door is controlled by the door-leaf coordinator integrated in the door closer.

Possible applications

- Escape doors to EN 1125 in public buildings
- Suitable for fire and smoke protection doors
- As the fixed knob or push/pull handle is on the outside, access from the outside is only possible using the key
- Optional combination with electric access control and/or escape door security components (see the following pages)

Recommendation

- Shopping centres
- Airports
- Stadiums
- Administrative areas
- Schools and universities
- Hospitals

Combination RPZA 175

Panic function, double-leaf, automatic locking of passive leaf



Active leaf:

1 = Panic lock



Passive leaf:

- 2 = Shoot-bolt lock
- 3 = Passive-leaf control lock
- 4 = Vertical rod
- 5 = Solid vertical rod
- 6 = Striker
- 7 = Floor striker
- 8 = Guide plate for vertical rod

Active leaf

No.	Product	Backset [mm]	Panic function E		Additional PC/CH-RC versions see page			
			Faceplate 24 x 3 x 270 mm Non-handed	U-faceplate 24 x 6 x 2 x 268 mm Non-handed				
1	1827	35	B-18270-01-U-8	B-18270-20-U-8	254			
		40	B-18270-02-U-8	-	254			
		45	B-18270-03-U-8	B-18270-21-U-8	254			
	1917	Product	Backset [mm]	Panic function E		Additional PC/CH-RC versions see page		
				Faceplate 24 x 3 x 270 mm Non-handed	U-faceplate 24 x 6 x 2 x 268 mm Non-handed			
				35	B-19170-00-U-8		B-19170-10-U-8	328
		40	B-19170-01-U-8	B-19170-11-U-8	328			
		45	B-19170-02-U-8	B-19170-12-U-8	328			
		1917 with latch holdback	Product	Backset [mm]	35	B-19170-34-U-8	B-19170-40-U-8	328
					40	B-19170-35-U-8	B-19170-41-U-8	328
		45	B-19170-36-U-8	B-19170-42-U-8	328			

Passive leaf

No.	Product	Backset [mm]	Faceplate 24 x 3 x 310 mm		Additional versions see page		
			DIN LH	DIN RH			
2	1793 prepared for electric strike	35	B 1793 6001	B 1793 6000	236		
		40	B 1793 6005	B 1793 6004	236		
		45	B 1793 6007	B 1793 6006	236		
	1890 for series 18	1990 for series 19	Faceplate 24 x 3 x 270 mm Non-handed		Additional versions see page		
			Backset [mm]				
			35	B-18900-01-0-8	B-19900-01-0-8	294	346
			40	B-18900-02-0-8	B-19900-02-0-8	294	346
			45	B-18900-03-0-8	B-19900-03-0-8	294	346
	3	1895	30-45	B 1895 0003		382	
4	9006	With end plug	B 9006 0013		408		
5	9006	Solid	B 9006 0004		408		
6	9000	For 1895	B 9000 0490		396		
7	9009/B-0028	-	B 9009 0001 or B-00280-20-0-8		410		
8	9019	-	B 9019 0001		411		

Combination RPZA 175

Panic function, double-leaf, automatic locking of passive leaf



Inside



Outside

Active leaf: half knob set with rosette

Order number*				
B-72630-□□-0-□				
□ Cylinder hole-type – backplate design	□ Lever handle model	□ Finish		
0 PC – oval	0 Round knob K1.0	1	Silver/EV1 look	
1 PC – square	1 Round knob K1.1	3	PVD brass	
2 CH-RC – oval	2 Ball knob K2.0	7	Traffic white**	
3 CH-RC – square	3 Ball knob K2.1	8	Satin stainless steel	
4 Without PC hole – oval			**RAL 9016	
5 Without PC hole – square				
6 Without key escutcheon – oval				
7 Without key escutcheon – square				

Active leaf: half knob set with long backplate

Order number*				
B-72640-□□-0-□				
□ Cylinder hole-type – backplate design	□ Lever handle model	□ Finish		
4 Without PC hole – round	0 Round knob K1.0	1	Silver/EV1 look	
5 Without PC hole – square	1 Round knob K1.1	3	PVD brass	
6 PC 92 mm – round	2 Ball knob K2.0	7	Traffic white**	
7 PC 92 mm – square	3 Ball knob K2.1	8	Satin stainless steel	
8 CH-RC 94 mm – round			**RAL 9016	
9 CH-RC 94 mm – square				

Active leaf: panic exit device according to EN 1125

Part number				
Locking component	Cylinder hole-type	Aluminium F1	Satin stainless steel	Page
Push bar	PC 92 mm	B-74000-30-0-1N	B-74000-30-0-8	436
	CH-RC 94 mm	B-74000-40-0-1N	B-74000-40-0-8	436
Crossbar	Length	Aluminium F1	Satin stainless steel	Page
	1150 mm	B 7100 4274	B 7100 4204	436
Locking component	Length	Aluminium F1	Satin stainless steel	Page
Touch bar	1158 mm	B-74410-02-0-1	B-74410-02-0-8	432

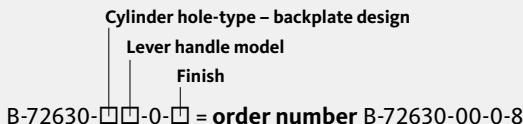
Passive leaf: panic exit device according to EN 1125

Part number				
Locking component	Cylinder hole-type	Aluminium F1	Satin stainless steel	Page
Push bar	Without PC hole	B-74000-00-0-1N	B-74000-00-0-8	436
Crossbar	Length	Aluminium F1	Satin stainless steel	Page
	1150 mm	B 7100 4274	B 7100 4204	436
Locking component	Length	Aluminium F1	Satin stainless steel	Page
Touch bar	1158 mm	B-74410-02-0-1	B-74410-02-0-8	432

Accessories: spindles and screws see from page 456 – **more information** about the lever handle sets from page 12

***Ordering example**

Active leaf: half knob set with rosette = B-72630-□□-0-□
 Cylinder hole-type – backplate design = PC – oval = 0 [refer to table]
 Lever handle model = round knob K1.0 = 0 [refer to table]
 Finish = 8 = satin stainless steel [refer to table]



Combination RPZA 175

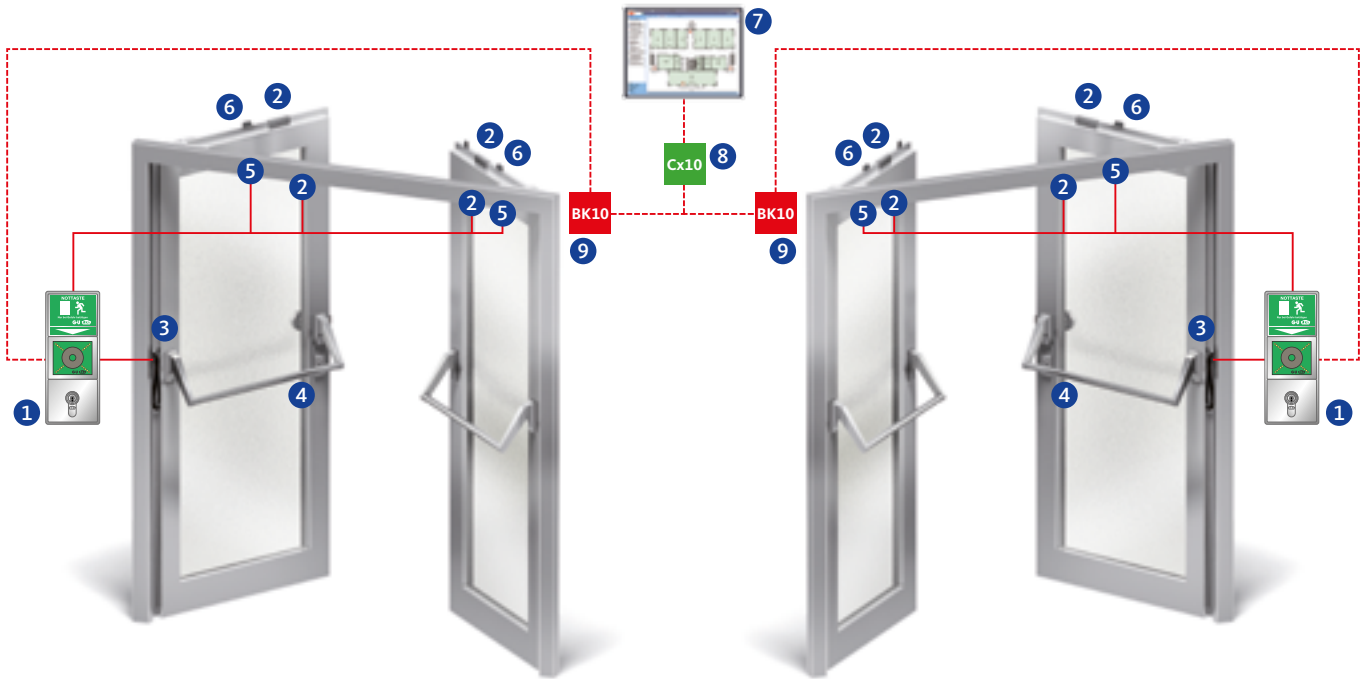
Panic function, double-leaf, automatic locking of passive leaf



Escape door locking

Centralised control and visualisation

Escape door locking



Monitoring contacts

Product	Cylinder cam monitoring	Latch monitoring	Deadbolt monitoring	Follower monitoring	Electrically coupled exterior lever handle	Combinable with electric strike
1827	■	■	■	■	-	■
1917	■	■	-	■	-	-

Escape door locking

No.	Product	Description	See page
1	B 5580 09xx	Escape door terminal set with integral power supply unit	462
2	B 5469 0010	Door contact	473
3	6-xxxxx-xx-x-x	Cable link	424
4	B 5490 xxxx	Connecting cable for electrically coupled lock or lock monitoring	427
5	B 5465 xxxx	Electric escape door strike	470
6	B 5495 0010	Latch lock	470

Centralised control and visualisation

No.	Product	Description	See page
7	B 5580 0521	BKS-NET system software Online visualisation module OV10 (licence)	475
8	B 5580 0421	CU10 building bus coupler (USB interface)	477
9	B 5580 0411	BK10 in-wall bus coupler (without frame/cover)	477

Door closer/carrier bar

For detailed order information please refer to our door closer order catalogue.

Combination RPZA 175-M

Panic function, double-leaf, automatic locking of passive leaf, motor-driven opening



Inside



Outside

Functional description

Active leaf

Inside

The active leaf can be opened by the push bar at any time (panic function). With series 18, the door is locked with the key. With series 19, the door locks automatically without a key.

Outside

The active leaf can only be opened with the key.
 With series 18, the door is locked with the key.
 With series 19, the door locks automatically without a key.
 – Panic function E

Passive leaf

Inside

Active and passive leaf can be opened by the push bar at any time (panic function on both leaves). Upon closing, the passive leaf is locked automatically via the vertical rods. If the door is opened by the passive leaf, the carrier bar ensures that the active leaf is carried along far enough to activate the door-leaf coordinator, so the leaves can close in the appropriate sequence. This also guarantees that the two leaves cannot jam, not even with a small clearance. The closing sequence of the door is controlled by the door-leaf coordinator integrated in the door closer.

Possible applications

- Escape doors to EN 1125 in public areas, in conjunction with a swing-door drive
- Suitable for fire and smoke protection doors
- As the fixed knob or push/pull handle is on the outside, access from the outside is only possible using the key
- Optional combination with electric access control and/or escape door security components (see the following pages)

Recommendation

- Shopping centres
- Airports
- Administrative areas
- Schools and universities
- Hospitals

Combination RPZA 175-M

Panic function, double-leaf, automatic locking of passive leaf, motor-driven opening



Active leaf:

① = Panic lock



Passive leaf:

- ② = Motor-driven shoot-bolt lock
- ③ = Passive-leaf control lock
- ④ = Vertical rod
- ⑤ = Solid vertical rod
- ⑥ = Striker
- ⑦ = Floor striker
- ⑧ = Guide plate for vertical rod

Active leaf

No.	Product	Backset [mm]	Panic function E		Additional PC/CH-RC versions see page			
			Faceplate 24 x 3 x 270 mm Non-handed	U-faceplate 24 x 6 x 2 x 268 mm Non-handed				
1	1827	35	B-18270-01-U-8	B-18270-20-U-8	254			
		40	B-18270-02-U-8	-	254			
		45	B-18270-03-U-8	B-18270-21-U-8	254			
	1917	Product	Backset [mm]	Panic function E		Additional PC/CH-RC versions see page		
				Faceplate 24 x 3 x 270 mm Non-handed	U-faceplate 24 x 6 x 2 x 268 mm Non-handed			
				35	B-19170-00-U-8		B-19170-10-U-8	328
		40	B-19170-01-U-8	B-19170-11-U-8	328			
		45	B-19170-02-U-8	B-19170-12-U-8	328			
		1917 with latch holdback	Product	Backset [mm]	35	B-19170-34-U-8	B-19170-40-U-8	328
					40	B-19170-35-U-8	B-19170-41-U-8	328
					45	B-19170-36-U-8	B-19170-42-U-8	328

Passive leaf

No.	Product	Backset [mm]	Faceplate 24 x 3 x 310 mm		Additional versions see page		
			DIN LH	DIN RH			
2	1893 for series 18	1993 for series 19	35	B-18930-00-0-8	B-19930-00-0-8	300	348
			40	B-18930-01-0-8	B-19930-01-0-8	300	348
			45	B-18930-02-0-8	B-19930-02-0-8	300	348
3	1895	30-45	B 1895 0003		382		
4	9006	With end plug	B 9006 0013		408		
5	9006	Solid	B 9006 0004		408		
6	9000	For 1895	B 9000 0490		396		
7	9009/B-0028	-	B 9009 0001 or B-00280-20-0-8		410		
8	9019	-	B 9019 0001		411		

Combination RPZA 175-M

Panic function, double-leaf, automatic locking of passive leaf, motor-driven opening



Inside



Outside

Active leaf: half knob set with rosette

Order number*			
B-72630-□□-0-□			
□ Cylinder hole-type – backplate design	□ Lever handle model	□ Finish	
0 PC – oval	0 Round knob K1.0	1	Silver/EV1 look
1 PC – square	1 Round knob K1.1	3	PVD brass
2 CH-RC – oval	2 Ball knob K2.0	7	Traffic white**
3 CH-RC – square	3 Ball knob K2.1	8	Satin stainless steel
4 Without PC hole – oval			**RAL 9016
5 Without PC hole – square			
6 Without key escutcheon – oval			
7 Without key escutcheon – square			

Active leaf: half knob set with long backplate

Order number*			
B-72640-□□-0-□			
□ Cylinder hole-type – backplate design	□ Lever handle model	□ Finish	
4 Without PC hole – round	0 Round knob K1.0	1	Silver/EV1 look
5 Without PC hole – square	1 Round knob K1.1	3	PVD brass
6 PC 92 mm – round	2 Ball knob K2.0	7	Traffic white**
7 PC 92 mm – square	3 Ball knob K2.1	8	Satin stainless steel
8 CH-RC 94 mm – round			**RAL 9016
9 CH-RC 94 mm – square			

Active leaf: panic exit device according to EN 1125

Part number				
Locking component	Cylinder hole-type	Aluminium F1	Satin stainless steel	Page
Push bar	PC 92 mm	B-74000-30-0-1N	B-74000-30-0-8	436
	CH-RC 94 mm	B-74000-40-0-1N	B-74000-40-0-8	436
Crossbar	Length	Aluminium F1	Satin stainless steel	Page
	1150 mm	B 7100 4274	B 7100 4204	436
Locking component	Length	Aluminium F1	Satin stainless steel	Page
Touch bar	1158 mm	B-74410-02-0-1	B-74410-02-0-8	432

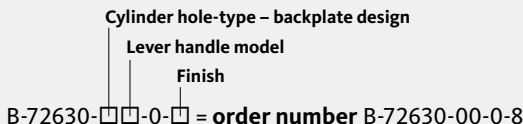
Passive leaf: panic exit device according to EN 1125

Part number				
Locking component	Cylinder hole-type	Aluminium F1	Satin stainless steel	Page
Push bar	Without PC hole	B-74000-00-0-1N	B-74000-00-0-8	436
Crossbar	Length	Aluminium F1	Satin stainless steel	Page
	1150 mm	B 7100 4274	B 7100 4204	436
Locking component	Length	Aluminium F1	Satin stainless steel	Page
Touch bar	1158 mm	B-74410-02-0-1	B-74410-02-0-8	432

Accessories: spindles and screws see from page 456 – **more information** about the lever handle sets from page 12

***Ordering example**

Active leaf: half knob set with rosette = B-72630-□□-0-□
 Cylinder hole-type – backplate design = PC – oval = 0 [refer to table]
 Lever handle model = round knob K1.0 = 0 [refer to table]
 Finish = 8 = satin stainless steel [refer to table]



Combination RPZA 175-M

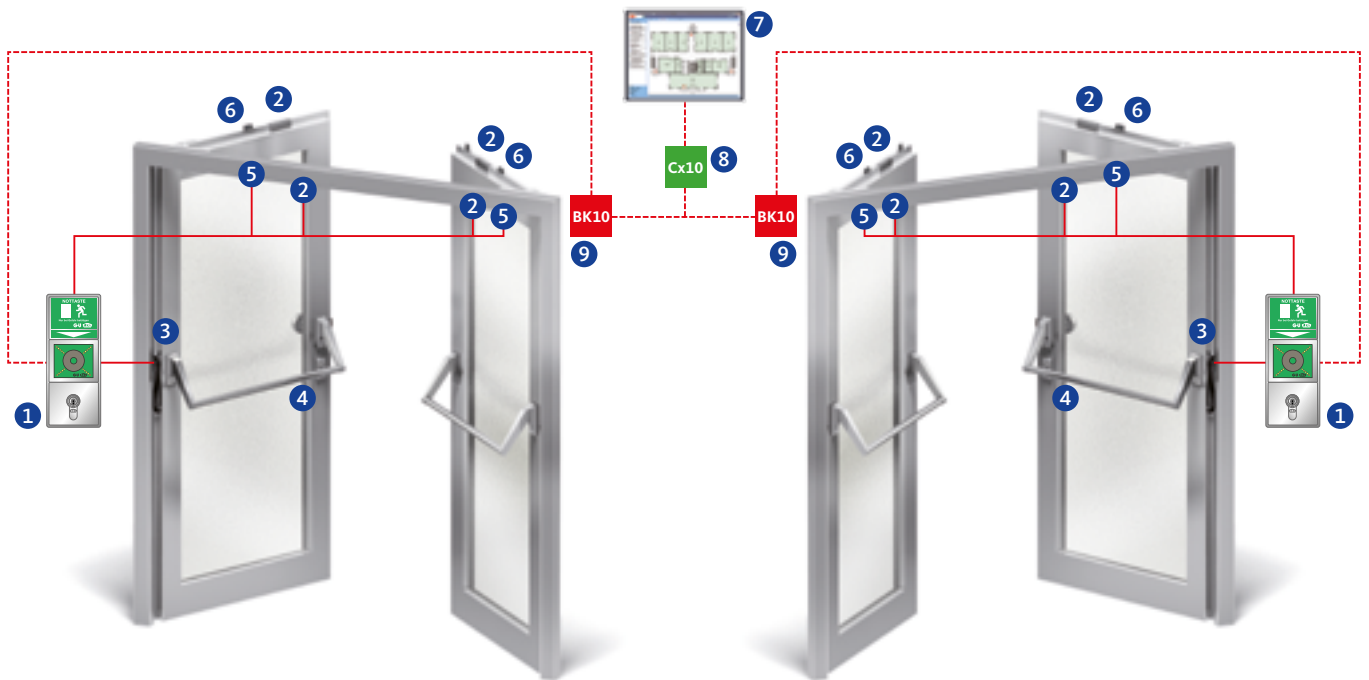
Panic function, double-leaf, automatic locking of passive leaf, motor-driven opening



Escape door locking

Centralised control and visualisation

Escape door locking



Monitoring contacts

Product	Cylinder cam monitoring	Latch monitoring	Deadbolt monitoring	Follower monitoring	Electrically coupled exterior lever handle	Combinable with electric strike
1827	■	■	■	■	-	■
1917	■	■	-	■	-	-

Escape door locking

No.	Product	Description	See page
1	B 5580 09xx	Escape door terminal set with integral power supply unit	462
2	B 5469 0010	Door contact	473
3	6-xxxxx-xx-x-x	Cable link	424
4	B 5490 xxxx	Connecting cable for electrically coupled lock or lock monitoring	427
5	B 5465 xxxx	Electric escape door strike	470
6	B 5495 0010	Latch lock	470

Centralised control and visualisation

No.	Product	Description	See page
7	B 5580 0521	BKS-NET system software Online visualisation module OV10 (licence)	475
8	B 5580 0421	CU10 building bus coupler (USB interface)	477
9	B 5580 0411	BK10 in-wall bus coupler (without frame/cover)	477

Door closer/carrier bar

For detailed order information please refer to our door closer order catalogue.

Combination RPZO 175

Panic function, double-leaf, active leaf with top-locking



Inside



Outside

Functional description

Active leaf

Inside

The active leaf can be opened by the push bar at any time (panic function). With series 18, the door is locked with the key. With series 19, the door locks automatically without a key.

Outside

The active leaf can only be opened with the key. With series 18, the door is locked with the key. With series 19, the door locks automatically without a key.
– Panic function E

Passive leaf

Inside

Active and passive leaf can be opened by the push bar at any time (panic function on both leaves). Upon closing, the passive leaf is locked automatically via the vertical rods. If the door is opened by the passive leaf, the carrier bar ensures that the active leaf is carried along far enough to activate the door-leaf coordinator, so the leaves can close in the appropriate sequence. This also guarantees that the two leaves cannot jam, not even with a small clearance. The closing sequence of the door is controlled by the door-leaf coordinator integrated in the door closer.

Possible applications

- Escape doors to EN 1125 in public buildings
- Suitable for fire and smoke protection doors
- As the fixed knob or push/pull handle is on the outside, access from the outside is only possible using the key
- Suitable for very high entrance doors with a tendency to warp (only by agreement with the door fabricator and in compliance with approvals)
- Enhanced burglar protection and gasket pressure thanks to the additional top-locking
- Optional combination with electric access control and/or escape door security components (see the following pages)

Recommendation

- Shopping centres
- Stadiums
- Airports
- Entrance doors for warehouses and office buildings
- Administrative areas

Combination RPZO 175

Panic function, double-leaf, active leaf with top-locking



Active leaf:

- 1 = Panic lock with top-locking
- 2 = Spring-operated top latch
- 3 = Vertical rod
- 8 = Striker



Passive leaf:

- 4 = Shoot-bolt lock
- 5 = Passive-leaf control lock
- 6 = Vertical rod
- 7 = Solid vertical rod
- 8 = Striker
- 9 = Floor striker
- 10 = Guide plate for vertical rod

Active leaf

No.	Product	Backset [mm]	Panic function E Faceplate 24 x 3 x 270 mm Non-handed			Additional PC/CH-RC versions see page
1	1837	35	B-18370-02-U-8			270
		40	B-18370-04-U-8			270
		45	B-18370-06-U-8			270
	1907 Self-locking	Product	Backset [mm]	Faceplate 24 x 3 x 270 mm Non-handed	U-faceplate 24 x 6 x 2 x 268 mm Non-handed	Additional PC/CH-RC versions see page
			35	B-19070-00-U-8	B-19070-06-U-8	316
			40	B-19070-01-U-8	B-19070-07-U-8	316
	45	B-19070-02-U-8	B-19070-08-U-8	316		
2	1795	35, 40, 45	B 1795 0001			381
3	9006	35, 40, 45	Rod length	1385 mm	B 9006 0022	408
				1500 mm	B 9006 0013	408

Passive leaf

No.	Product	Backset [mm]	Faceplate 24 x 3 x 270 mm Non-handed	Non-handed	Additional versions see page	
4	1890 for series 18 1990 for series 19	35	B-18900-01-0-8	B-19900-01-0-8	294	346
		40	B-18900-02-0-8	B-19900-02-0-8	294	346
		45	B-18900-03-0-8	B-19900-03-0-8	294	346
5	1895	30-45	B 1895 0003			382
6	9006	With end plug	B 9006 0013			408
7	9006	Solid	B 9006 0004			408
8	9000	For 1895/1795	B 9000 0490 and B 9000 0567			396
9	9009/B-0028	-	B 9009 0001 or B-00280-20-0-8			410
10	9019	-	B 9019 0001			411

Combination RPZO 175

Panic function, double-leaf, active leaf with top-locking



Inside



Outside

Active leaf: half knob set with rosette

Order number*			
B-72630-□□-0-□			
□ Cylinder hole-type – backplate design	□ Lever handle model	□ Finish	
0 PC – oval	0 Round knob K1.0	1	Silver/EV1 look
1 PC – square	1 Round knob K1.1	3	PVD brass
2 CH-RC – oval	2 Ball knob K2.0	7	Traffic white**
3 CH-RC – square	3 Ball knob K2.1	8	Satin stainless steel
4 Without PC hole – oval			**RAL 9016
5 Without PC hole – square			
6 Without key escutcheon – oval			
7 Without key escutcheon – square			

Active leaf: half knob set with long backplate

Order number*			
B-72640-□□-0-□			
□ Cylinder hole-type – backplate design	□ Lever handle model	□ Finish	
4 Without PC hole – round	0 Round knob K1.0	1	Silver/EV1 look
5 Without PC hole – square	1 Round knob K1.1	3	PVD brass
6 PC 92 mm – round	2 Ball knob K2.0	7	Traffic white**
7 PC 92 mm – square	3 Ball knob K2.1	8	Satin stainless steel
8 CH-RC 94 mm – round			**RAL 9016
9 CH-RC 94 mm – square			

Active leaf: panic exit device according to EN 1125

Part number				
Locking component	Cylinder hole-type	Aluminium F1	Satin stainless steel	Page
Push bar	PC 92 mm	B-74000-30-0-1N	B-74000-30-0-8	436
	CH-RC 94 mm	B-74000-40-0-1N	B-74000-40-0-8	436
Crossbar	Length	Aluminium F1	Satin stainless steel	Page
	1150 mm	B 7100 4274	B 7100 4204	436
Locking component	Length	Aluminium F1	Satin stainless steel	Page
Touch bar	1158 mm	B-74410-02-0-1	B-74410-02-0-8	432

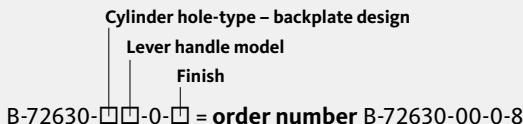
Passive leaf: panic exit device according to EN 1125

Part number				
Locking component	Cylinder hole-type	Aluminium F1	Satin stainless steel	Page
Push bar	Without PC hole	B-74000-00-0-1N	B-74000-00-0-8	436
Crossbar	Length	Aluminium F1	Satin stainless steel	Page
	1150 mm	B 7100 4274	B 7100 4204	436
Locking component	Length	Aluminium F1	Satin stainless steel	Page
Touch bar	1158 mm	B-74410-02-0-1	B-74410-02-0-8	432

Accessories: spindles and screws see from page 456 – **more information** about the lever handle sets from page 12

***Ordering example**

Active leaf: half knob set with rosette = B-72630-□□-0-□
 Cylinder hole-type – backplate design = PC – oval = 0 [refer to table]
 Lever handle model = round knob K1.0 = 0 [refer to table]
 Finish = 8 = satin stainless steel [refer to table]



Combination RPZO 175

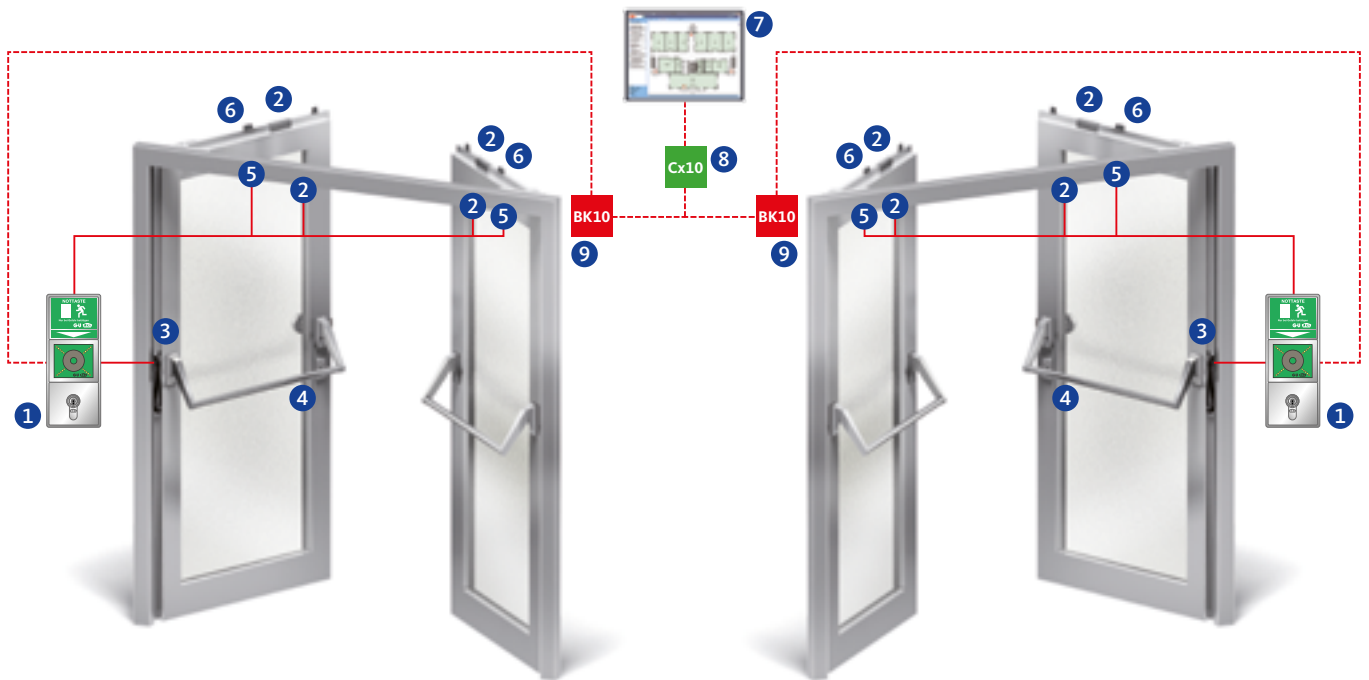
Panic function, double-leaf, active leaf with top-locking



Escape door locking

Centralised control and visualisation

Escape door locking



Monitoring contacts

Product	Cylinder cam monitoring	Latch monitoring	Deadbolt monitoring	Follower monitoring	Electrically coupled exterior lever handle	Combinable with electric strike
1837	■	■	■	■	-	■
1907	■	■	-	■	-	-

Escape door locking

No.	Product	Description	See page
1	B 5580 09xx	Escape door terminal set with integral power supply unit	462
2	B 5469 0010	Door contact	473
3	6-xxxxx-xx-x-x	Cable link	424
4	B 5490 xxxx	Connecting cable for electrically coupled lock or lock monitoring	427
5	B 5465 xxxx	Electric escape door strike	470
6	B 5495 0010	Latch lock	470

Centralised control and visualisation

No.	Product	Description	See page
7	B 5580 0521	BKS-NET system software Online visualisation module OV10 (licence)	475
8	B 5580 0421	CU10 building bus coupler (USB interface)	477
9	B 5580 0411	BK10 in-wall bus coupler (without frame/cover)	477

Door closer/carrier bar

For detailed order information please refer to our door closer order catalogue.

Combination RPZAS 175

Panic function, double-leaf, automatic locking of passive leaf, SECURITY



Inside



Outside

Functional description

Active leaf

Inside

The active leaf can be opened by the push bar at any time (panic function). With a SECURITY lock, the door locks automatically without having to use the key.

Outside

The active leaf can only be opened with the key. With a SECURITY lock, the door locks automatically without having to use the key.
– Panic function E

Passive leaf

Inside

Active and passive leaf can be opened by the push bar at any time (panic function on both leaves). Upon closing, the passive leaf is locked automatically via the vertical rods. If the door is opened by the passive leaf, the carrier bar ensures that the active leaf is carried along far enough to activate the door-leaf coordinator, so the leaves can close in the appropriate sequence. This also guarantees that the two leaves cannot jam, not even with a small clearance. The closing sequence of the door is controlled by the door-leaf coordinator integrated in the door closer.

Possible applications

- Escape doors to EN 1125 in public buildings
- Suitable for fire and smoke protection doors
- As the fixed knob or push/pull handle is on the outside, access from the outside is only possible using the key
- Suitable for very high entrance doors with a tendency to warp (only by agreement with the door fabricator and in compliance with approvals)
- Automatic multi-point locking
- Enhanced burglar protection and gasket pressure thanks to the additional locking
- Optional combination with electric access control and/or escape door security components (see the following pages)

Recommendation

- Entrance doors to administrative and office buildings
- Homes for the elderly
- Service doors
- Museums
- Airports
- Stadiums
- Administrative areas

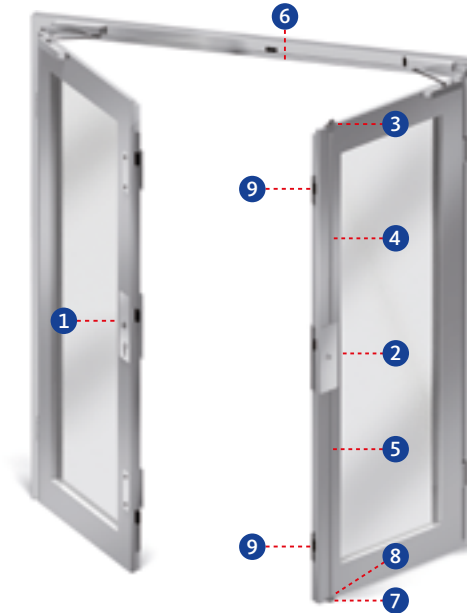
Combination RPZAS 175

Panic function, double-leaf, automatic locking of passive leaf, SECURY



Active leaf:

1 = SECURY panic lock



Passive leaf:

- 2 = Shoot-bolt lock
- 3 = Passive leaf control lock
- 4 = Vertical rod
- 5 = Solid vertical rod
- 6 = Striker
- 7 = Floor striker
- 8 = Guide plate for vertical rod
- 9 = Latchbolt striker

Active leaf					
No.	Product	Backset [mm]	Panic function E Faceplate 24 x 3 x 1750 mm Non-handed	U-faceplate 24 x 6 x 2 x 1750 mm Non-handed	Additional PC/CH-RC versions see page
1	1917 SECURY	35	6-B1917-08-L-8	6-B1917-01-L-8	368
		40	6-B1917-16-L-8	6-B1917-07-L-8	368
		45	6-B1917-10-L-8	6-B1917-03-L-8	368

Passive leaf				
No.	Product	Backset [mm]	Faceplate 24 x 3 x 270 mm Non-handed	See page
2	1990	35	B-19900-01-0-8	346
		40	B-19900-02-0-8	346
		45	B-19900-03-0-8	346
3	1895	30-45	B 1895 0003	382
4	9006	With end plug	B 9006 0013	408
5	9006	Solid	B 9006 0004	408
6	9000	For 1895	B 9000 0490	396
7	9009/B-0028	-	B 9009 0001 or B-00280-20-0-8	410
8	9019	-	B 9019 0001	411
9	Lipped striker	Non-handed	B 9000 0913	399
	Striker	Non-handed	9-43501-03-0-8	397

Combination RPZAS 175

Panic function, double-leaf, automatic locking of passive leaf, SECURITY



Inside



Outside

Active leaf: half knob set with rosette

Order number*			
B-72630-□□-0-□			
□ Cylinder hole-type – backplate design	□ Lever handle model	□ Finish	
0 PC – oval	0 Round knob K1.0	1	Silver/EV1 look
1 PC – square	1 Round knob K1.1	3	PVD brass
2 CH-RC – oval	2 Ball knob K2.0	7	Traffic white**
3 CH-RC – square	3 Ball knob K2.1	8	Satin stainless steel
4 Without PC hole – oval			**RAL 9016
5 Without PC hole – square			
6 Without key escutcheon – oval			
7 Without key escutcheon – square			

Active leaf: half knob set with long backplate

Order number*			
B-72640-□□-0-□			
□ Cylinder hole-type – backplate design	□ Lever handle model	□ Finish	
4 Without PC hole – round	0 Round knob K1.0	1	Silver/EV1 look
5 Without PC hole – square	1 Round knob K1.1	3	PVD brass
6 PC 92 mm – round	2 Ball knob K2.0	7	Traffic white**
7 PC 92 mm – square	3 Ball knob K2.1	8	Satin stainless steel
8 CH-RC 94 mm – round			**RAL 9016
9 CH-RC 94 mm – square			

Active leaf: panic exit device according to EN 1125

Part number				
Locking component	Cylinder hole-type	Aluminium F1	Satin stainless steel	Page
Push bar	PC 92 mm	B-74000-30-0-1N	B-74000-30-0-8	436
	CH-RC 94 mm	B-74000-40-0-1N	B-74000-40-0-8	436
Crossbar	Length	Aluminium F1	Satin stainless steel	Page
	1150 mm	B 7100 4274	B 7100 4204	436
Locking component	Length	Aluminium F1	Satin stainless steel	Page
Touch bar	1158 mm	B-74410-02-0-1	B-74410-02-0-8	432

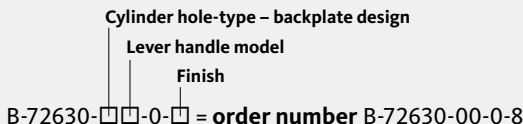
Passive leaf: panic exit device according to EN 1125

Part number				
Locking component	Cylinder hole-type	Aluminium F1	Satin stainless steel	Page
Push bar	Without PC hole	B-74000-00-0-1N	B-74000-00-0-8	436
	Length	Aluminium F1	Satin stainless steel	Page
Crossbar	1150 mm	B 7100 4274	B 7100 4204	436
	Locking component	Length	Aluminium F1	Satin stainless steel
Touch bar	1158 mm	B-74410-02-0-1	B-74410-02-0-8	432

Accessories: spindles and screws see from page 456 – more information about the lever handle sets from page 12

*Ordering example

Active leaf: half knob set with rosette = B-72630-□□-0-□
 Cylinder hole-type – backplate design = PC – oval = 0 [refer to table]
 Lever handle model: round knob = K1.0 = 0 [refer to table]
 Finish = 8 = satin stainless steel [refer to table]



Combination RPZAS 175

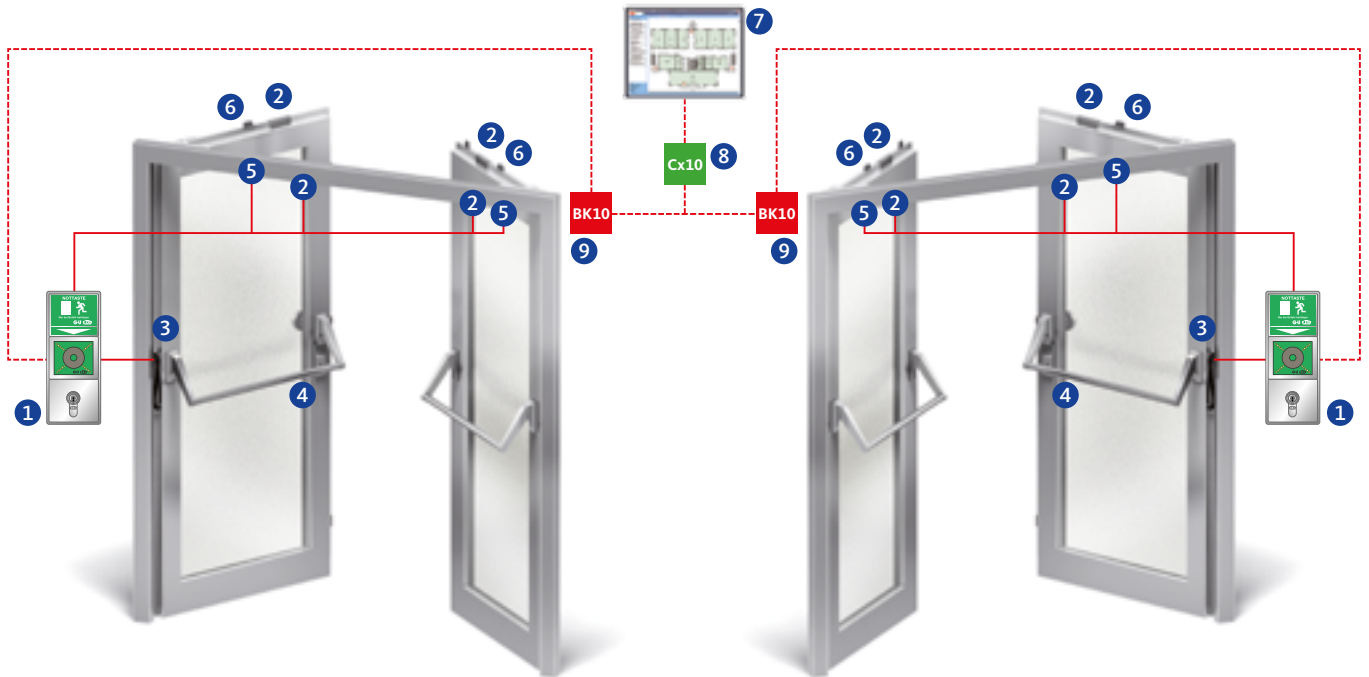
Panic function, double-leaf, automatic locking of passive leaf, SECURITY



Escape door locking

Centralised control and visualisation

Escape door locking



Monitoring contacts

Product	Cylinder cam monitoring	Latch monitoring	Deadbolt monitoring	Follower monitoring	Electrically coupled exterior lever handle	Combinable with electric strike	With A-opener (motor)
6-B1917-xx-x	■	■	-	■	-	-	■

Escape door locking

No.	Product	Description	See page
1	B 5580 09xx	Escape door terminal set with integral power supply unit	462
2	B 5469 0010	Door contact	473
3	6-xxxx-xx-x-x	Cable link	424
4	B 5490 0300	Connecting cable for electrically coupled lock or lock monitoring	427
5	B 5465 xxxx	Electric escape door strike	470
6	B 5495 0010	Latch lock	470

Centralised control and visualisation

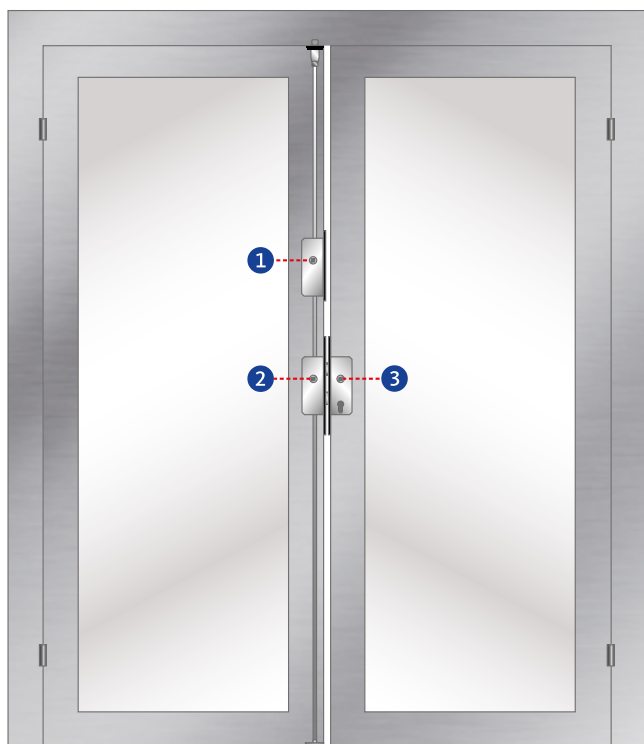
No.	Product	Description	See page
7	B 5580 0521	BKS-NET system software Online visualisation module OV10 (licence)	475
8	B 5580 0421	CU10 building bus coupler (USB interface)	477
9	B 5580 0411	BK10 in-wall bus coupler (without frame/cover)	477

Door closer/carrier bar

For detailed order information please refer to our door closer order catalogue.

Special applications

Panic function on the higher-mounted interior lever handle on the passive leaf



Passive leaf

- ① = For higher-mounted vertical lever – B 1798 remote lock
- ② = No door hardware at standard height – B-1890 shoot-bolt lock
- ③ = For active leaf door hardware at standard height 1,050 mm above finished floor level – active leaf lock of series 18

Note

With some applications it is desirable for the door hardware to be mounted at a height of 1,500 mm above finished floor level. In these cases, the shoot-bolt lock is combined with the B 1798 remote lock. It also makes sense to mount the door hardware higher up when using the single-acting panic function (see page 491).



Active leaf

- ① = For higher-mounted interior door hardware at 1,500 mm handle height
- panic function B = B-1840
 - panic function E = B-1846

Note

Note

In specific applications (**e.g. kindergartens**) it is not desirable for the standard or panic function to be triggered via the door hardware mounted at standard height. In these cases, locks are installed at the standard height of 1,050 mm above finished floor level.

Special applications

Escape door locking



Indoors

Outdoors

Access with key =
cylinder cam monitoring

- 1 = B-1920/B-1926**
EVP electrically-locking panic lock, panic function B or E, with optionally cylinder cam monitoring
- 2 = B 9000 xxxx**
Striker prepared for electric escape door strike B 5465 04xx
- 3 = B 5465 04xx**
Electric escape door strike with FaFix or ProFix 2 function

- 4 = B 5580 0982**
3-section set (LS990) in stainless steel look, FTNT10 escape door control unit with integrated emergency push-button, ST10 key switch and integrated in-wall power supply unit 24 V DC/0.5 A
- 5 = B 5469 0010**
Door contact set, white
- 6 = 6-xxxxx-xx-x-x**
Concealed cable link for cylinder cam monitoring contact

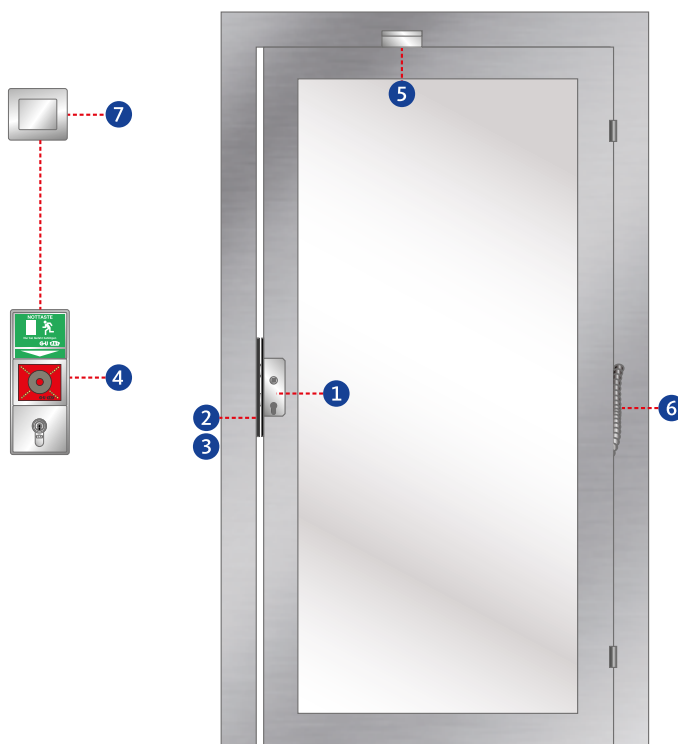
Functional description

Inside

The locking element (electric escape door strike) is released via key switch or cylinder cam monitoring contact. The door can then be opened from the inside at any time (escape door). When the emergency push-button is pressed, the locking element (electric escape door strike) is enabled immediately and an alarm sounds. The door leaf can then be opened from the inside at any time (panic function).

Outside

The door is opened from the outside with the key (cylinder cam monitoring). This authorises activation of the locking element.



Indoors

Outdoors

Access with key =
cylinder cam monitoring

1 = B-1920/B-1926

EVP electrically-locking panic lock, panic function B or E, with optionally cylinder cam monitoring and/or key-controlled latch holdback

2 = B 9000 xxxx

Striker prepared for electric escape door strike B 5465 04xx

3 = B 5465 04xx

Electric escape door strike with FaFix or ProFix 2 function

4 = B 5580 0982

3-section set (LS990) in stainless steel look, FTNT10 escape door control unit with integrated emergency push-button, ST10 key switch and integrated in-wall power supply unit 24 V DC/0.5 A

5 = B 5469 0010

Door contact set, white

6 = 6-xxxxx-xx-x-x

Concealed cable link for cylinder cam monitoring contact

7 = Release button for 1.80 m installation height

Functional description

Inside

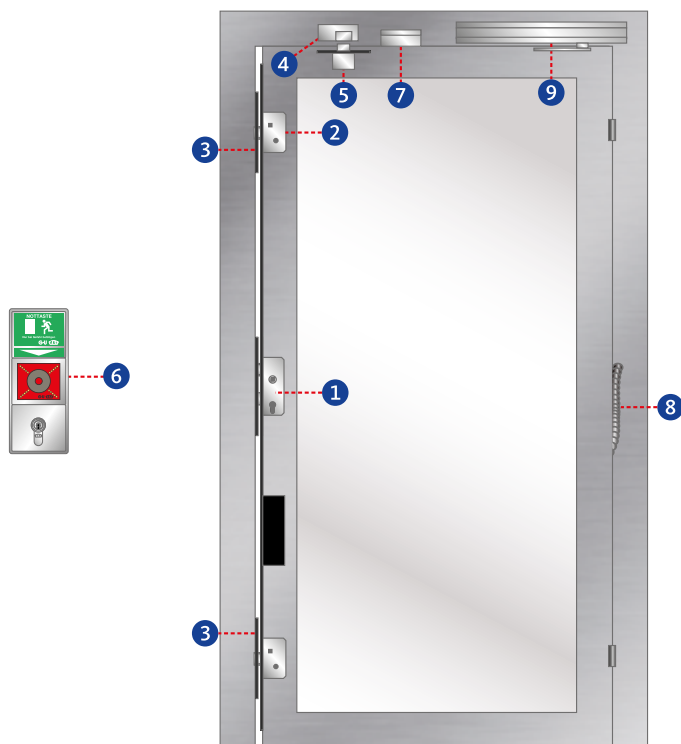
The locking element (electric escape door strike) is released via key switch or cylinder cam monitoring contact. The door can then be opened from inside (escape door). When the emergency push-button is pressed, the locking element (electric escape door strike) is enabled immediately and an alarm sounds. The door can then be opened from the inside (panic function). The door can be unlocked at any time via an additional push-button on the inside. To keep the push-button out of the reach of children, it should be installed at a height of approx. 1.80 m.

Outside

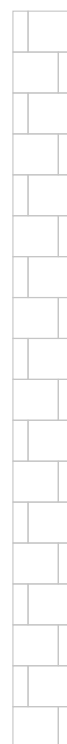
The door is opened from the outside with the key (cylinder cam monitoring). This authorises activation of the locking element. The mechanical latch holdback on the lock allows the latch to be fixed in position during pick-up and drop-off times.

Special applications

Automatic door function



Indoors



Outdoors

1 = **SECURY 1910/1916 multi-point lock**
with A-opener, panic function B or E

2 = **K-16538-xx-x-x**
Latchbolt contact for additional lock

3 = Angled striker or adjustable striker for additional locks

4 = **B 5465 xxxx** electric escape door strike

5 = **B 5495 0010**
Latch lock for electric escape door strikes

6 = **B 5580 0982**
3-section set (LS990) in stainless steel look,
FTNT10 escape door control unit with integrated
emergency push-button, ST10 key switch and
integrated in-wall power supply unit 24 V DC/0.5 A

7 = **B 5469 0010** door contact set, white

8 = **6-xxxxx-xx-x-x**
Concealed cable link

9 = Swing-door drive

10 = **B 5580 031x** key switch

B 5494 0004 plug-in power supply 24 V DC (1 A)

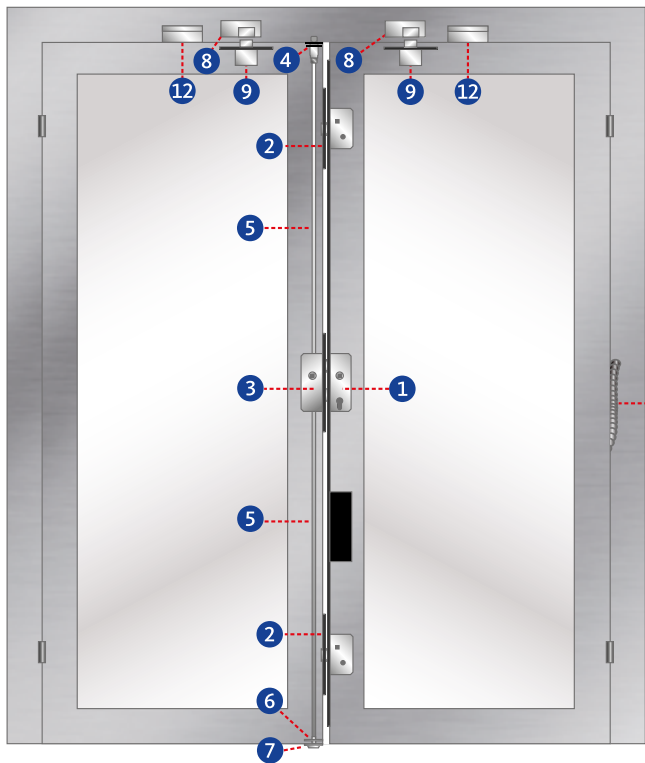
Functional description

Inside

The locking element (electric escape door strike) is released via key switch or cylinder cam monitoring contact. The door can then be opened from the inside at any time (escape door). When the emergency push-button is pressed, the locking element (electric escape door strike) is enabled immediately and an alarm sounds. The door leaf can then be opened from the inside at any time (panic function).

Outside

The door is opened from the outside via the key switch. This authorises activation of the locking element.



Indoors

Outdoors



- 1** = **SECURY 1911/1917 multi-point lock**
Panic function B or E, with optionally additional latchbolt monitoring contact
- 1** = **B-1911 xxxx/B-1917 xxxx panic lock**
Panic function B or E, optional cylinder cam and deadbolt monitoring contact
- 2** = Angled striker or adjustable striker for additional top and bottom latchbolt
- 3** = **B-1990 xxxx**
Shoot-bolt lock for active leaf lock of series 19
- 4** = **B 1895 xxxx** passive-leaf control lock
- 5** = **B 9006 xxxx** vertical rod
- 6** = **B 9019 0001** guide plate for vertical rod
- 7** = **B 9009 0001/B-00280-20-0-8** floor striker
- 8** = **B 5465 xxxx**
Electric escape door strike, one for each door leaf
- 9** = **B 5495 0010** latch lock for electric escape door strike
- 10** = **B 5580 0982**
3-section set (LS990) in stainless steel look, FTNT10 escape door control unit with integrated emergency push-button, ST10 key switch and integrated in-wall power supply unit 24 V DC/0.5 A
- 11** = **B 5580 031x** key switch
- 12** = **B 5469 0010** door contact set, white
- 13** = **6-xxxxx-xx-x-x**
Concealed cable link for cylinder cam monitoring contact

Functional description

Inside

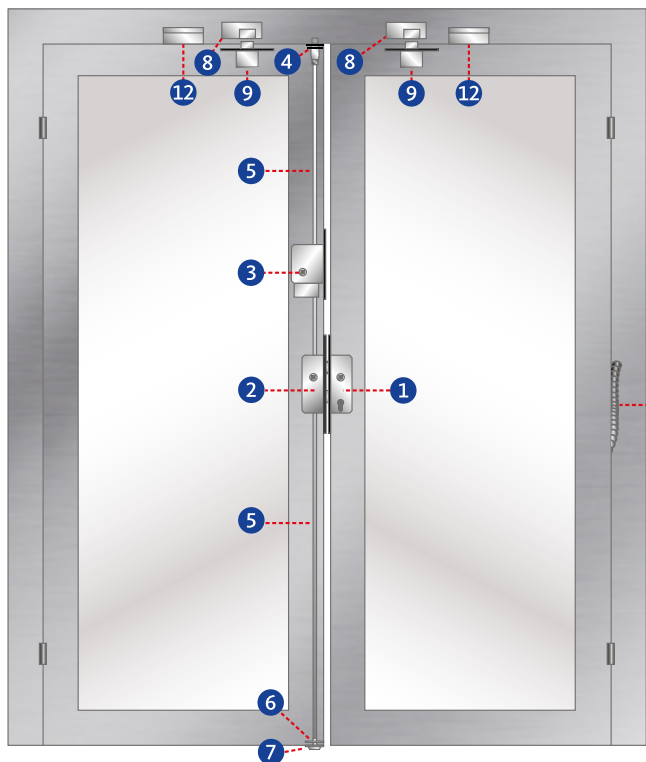
The locking elements (electric escape door strike) are released via key switch or cylinder cam monitoring contact. The door can then be opened from the inside at any time (escape door). When the emergency push-button is pressed, the locking element (electric escape door strike) is enabled immediately and an alarm sounds. The door leaf can then be opened from the inside at any time (panic function).

Outside

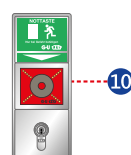
The door is opened from the outside via the key switch. This authorises activation of the locking element.

Special applications

Kindergarten function – for double-leaf doors



Indoors



Outdoors

Access with key =
cylinder cam monitoring



- ① = **B-1821 xxxx/B-1827 xxxx** panic lock
For two-leaf doors, panic function B or E, optional cylinder cam monitoring contact and deadbolt monitoring
- ② = **B-1890**
shoot-bolt lock prepared for B 1798 remote lock
- ③ = **B 1798 xxxx** remote lock
- ④ = **B 1895 xxxx** passive-leaf control lock
- ⑤ = **B 9006 xxxx** vertical rod
- ⑥ = **B 9019 0001** guide plate for vertical rod
- ⑦ = **B 9009 0001/B-00280-20-0-8** floor striker

- ⑧ = **B 5465 xxxx**
Electric escape door strike, one for each door leaf
- ⑨ = **B 5495 0010** latch lock for electric escape door strike
- ⑩ = **B 5580 0982**
3-section set (LS990) in stainless steel look, FTNT10 escape door control unit with integrated emergency push-button, ST10 key switch and integrated in-wall power supply unit 24 V DC/0.5 A
- ⑪ = Release button for 1.80 m installation height
- ⑫ = **B 5469 0010** door contact set, white
- ⑬ = **6-xxxxx-xx-x-x**
Concealed cable link for cylinder cam monitoring contact

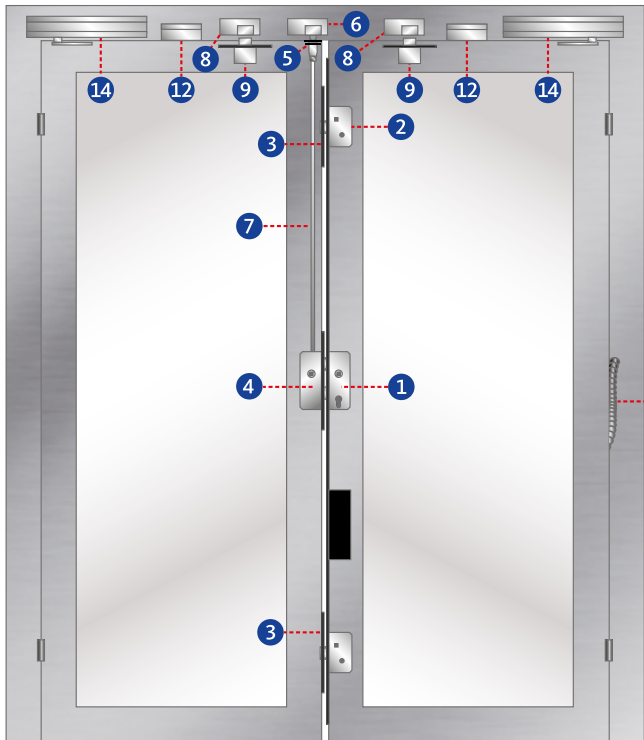
Functional description

Inside

The locking elements (electric escape door strike) are released via key switch or cylinder cam monitoring contact. The door can then be opened from inside (escape door). When the emergency push-button is pressed, the locking element (electric escape door strike) is enabled immediately and an alarm sounds. The door can then be opened from the inside (panic function). The door can be unlocked at any time via an additional push-button on the inside. To keep the push-button out of the reach of children, it should be installed at a height of approx. 1.80 m.

Outside

The door is opened from the outside with the key (cylinder cam monitoring). This authorises activation of the locking element. The mechanical latch holdback on the lock allows the latch to be fixed in position during pick-up and drop-off times.



Indoors

Outdoors



- 1 = **SECURY 1911/1917 multi-point lock**
with A-opener, panic function B or E
 - 2 = **K-16538-xx-x-x latchbolt contact** for additional lock
 - 3 = **Angled striker or adjustable striker** for additional locks
 - 4 = **B-1990 xxxx shoot-bolt lock** in conjunction with SECURY multi-point lock
 - 5 = **B 1796 xxxx spring-operated top latch**
 - 6 = **GU-BKS electric strike ET 8**
 - 7 = **B 9006 xxxx vertical rod**
 - 8 = **B 5465 xxxx electric escape door strike**
 - 9 = **B 5495 0010 latch lock** for electric escape door strike
 - 10 = **B 5580 0982**
3-section set (LS990) in stainless steel look, FTNT10 escape door control unit with integrated emergency push-button, ST10 key switch and integrated in-wall power supply unit 24 V DC/0.5 A
 - 11 = **B 5580 031x key switch**
 - 12 = **B 5469 0010 door contact set, white**
 - 13 = **6-xxxxx-xx-x-x concealed cable link**
 - 14 = **Swing-door drive**
- B 5494 0004** plug-in power supply 24 V DC (1 A)

Functional description

Inside

The locking element (electric escape door strike) is released via key switch or cylinder cam monitoring contact. The door can then be opened from the inside at any time (escape door). When the emergency push-button is pressed, the locking element (electric escape door strike) is enabled immediately and an alarm sounds. The door leaf can then be opened from the inside at any time (panic function).

Outside

The door is opened from the outside via the key switch. This authorises activation of the locking element.

Locks and multi-points locks



Overview

Product characteristics	186
-------------------------	-----

Manual-locking locking systems

Mortise locks	190
Mortise locks – series 13	198
Mortise locks – series 14	224
Mortise locks – series 18	230
Mortise locks with panic function – series 18	236

Self-locking locking systems

Mortise locks – series 19	304
Mortise locks with panic function – series 19	306

Self-locking locking systems

Multi-point locks with panic function – series 19	352
---	-----

Accessories

Locks	380
Strikers	386
Miscellaneous	408

Overview – product features

Manual-locking locking systems



Products	Lock type	For use in		Panic function	Top-locking feature	Key-controlled latch holdback	Lock monitoring	Product	Note	
		1-leaf	2-leaf							
Mortise locks Series 13	Narrow stile locks	■	-	-	-	-	-	B 1300	-	
		■	-	-	-	-	Optional	B 1314		
	Roller latch & deadbolt locks	■	-	-	-	-	-	-		B 1300
		■	-	-	-	-	-	-		B 1305
		■	-	-	-	-	-	-		B 1315
		■	-	-	-	-	-	-		B 1325
		■	-	-	-	-	-	-		B 1307
	Latch locks	■	-	-	-	-	-	-		B 1327
		■	-	-	-	-	-	-		B 1308
	Deadbolt locks	■	-	-	-	-	-	-		B 1308
■		-	-	-	-	-	-	B 1328		
Rounded-deadbolt lock	■	-	-	-	-	-	-	B 1308		
Fire rated door lock	■	-	-	-	-	-	Optional	B 1311		
Panic lock	■	-	E	-	-	-	Optional	B 1316		
Mortise locks Series 18	Fire rated door locks	■	-	-	-	Optional	Optional	B-1828	Silent latch optional	
		■	-	-	■	Optional	Optional	B-1838		
		■	-	-	■	Optional	Optional	B-1839		
Panic locks Series 18	Panic locks	■	-	B	-	-	Optional	B-1820	Silent latch optional	
		-	■	B	-	-	Optional	B-1821		
		■	-	C	-	-	Optional	B-1822		
		-	■	C	-	-	Optional	B-1823		
		■	-	D	-	-	Optional	B-1824		
		-	■	D	-	-	Optional	B-1825		
		■	-	E	-	Optional	Optional	B-1826		
		-	■	E	-	Optional	Optional	B-1827		
		■	-	B	■	-	Optional	B-1830		
		-	■	B	■	-	Optional	B-1831		
		■	-	C	■	-	Optional	B-1832		
		-	■	C	■	-	Optional	B-1833		
		■	-	D	■	-	Optional	B-1834		
		-	■	D	■	-	Optional	B-1835		
	■	-	E	■	Optional	Optional	B-1836			
	-	■	E	■	Optional	Optional	B-1837			
	Panic deadbolt locks	■	-	P	-	-	Optional	B-1848	-	
		-	■	P	-	-	Optional	B-1849		
	Panic locks with panic function on the higher-mounted interior lever handle	■	-	B	-	-	Optional	B-1840	Silent latch optional	
		-	■	B	-	-	Optional	B-1841		
■		-	C	-	-	Optional	B-1842			
-		■	C	-	-	Optional	B-1843			
■		-	D	-	-	Optional	B-1844			
-		■	D	-	-	Optional	B-1845			
■		-	E	-	-	Optional	B-1846			
-	■	E	-	-	Optional	B-1847				
Shoot-bolt locks Series 18	Shoot-bolt locks	-	■	■	■	-	-	B 1793	-	
		-	■	■	■	-	-	B 1794		
		-	■	■	■	-	Optional	B-1890		
		-	■	■	■	-	Optional	B-1891		
		-	■	■	■	-	-	B-1892		
	-	■	■	■	-	Optional	B-1896			
Motor-driven shoot-bolt lock	-	■	■	■	■	-	■	B-1893	-	

Overview – product features

Self-locking locking systems



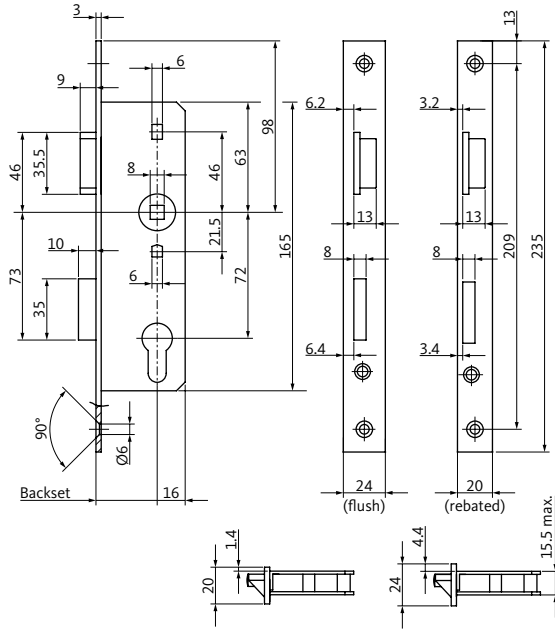
Products	Lock type	For use in		Panic function	Top-locking feature	Key-controlled latch holdback	Lock monitoring	Product	Note
		1-leaf	2-leaf						
Mortise locks Series 19	Electrically coupled	■	-	-	-	-	■	B-1975	-
Multi-point locks Series 19	Multi-point locks	■	-	-	-	-	Optional	SECURY 1918 / ADR	Can be combined with A-opener
	Multi-point lock electrically coupled	■	-	-	-	-	■	SECURY 1975 EK	
Panic locks Series 19	Panic locks	■	-	B	■	-	Optional	B-1900	-
		-	■	B	■	-	Optional	B-1901	
		■	-	C	■	-	Optional	B-1902	
		-	■	C	■	-	Optional	B-1903	
		■	-	E	■	Optional	Optional	B-1906	
		-	■	E	■	Optional	Optional	B-1907	
		■	-	B	-	-	Optional	B-1910	
		-	■	B	-	-	Optional	B-1911	
		■	-	C	-	-	Optional	B-1912	
		-	■	C	-	-	Optional	B-1913	
	■	-	E	-	Optional	Optional	B-1916		
	-	■	E	-	Optional	Optional	B-1917		
	Multi-point locks	■	-	B	-	-	Optional	SECURY 1910 / ADR	Can be combined with A-opener
		-	■	B	-	-	Optional	SECURY 1911 / ADR	
		■	-	C	-	-	Optional	SECURY 1912 / ADR	
		-	■	C	-	-	Optional	SECURY 1913 / ADR	
		■	-	E	-	Optional	Optional	SECURY 1916 / ADR	
-		■	E	-	Optional	Optional	SECURY 1917 / ADR		
Panic locks Series 19 EK	Electrically coupled panic locks	■	-	Fail-secure	-	-	■	B-1970	-
		-	■	Fail-secure	-	-	■	B-1971	
		■	-	Fail-secure	■	-	■	B-1980	
		-	■	Fail-secure	■	-	■	B-1981	
	Electrically coupled multi-point locks	■	-	Fail-secure	-	-	■	SECURY 1970 EK	Can be combined with A-opener
		-	■	Fail-secure	-	-	■	SECURY 1971 EK	
Panic locks Series 19 EVP	Electrically-locking panic locks (EVP)	■	-	B	-	-	Optional	B-1920	-
		■	-	E	-	Optional	Optional	B-1926	
	Electrically coupled multi-point locks	■	-	E	-	Optional	Optional	SECURY 1916 EVP	Can be combined with A-opener
Motor-driven locks Series 19	Motor-driven locks	■	-	E	-	-	■	B 1956	-
		-	■	E	-	-	■	B 1959	
Shoot-bolt locks Series 19	Shoot-bolt lock	-	■	■	■	-	Optional	B-1990	-
	Motor-driven shoot-bolt lock	-	■	■	■	-	■	B-1993	

Approval/Standards							
■	-	-	-	■	-	■	-
■	-	-	-	■ ^[2]	-	■ ^[1]	-
■	-	-	-	■ ^[2]	-	■ ^[1]	-
■	■	■	■	-	-	■ ^[1]	■
■	■	■	■	-	-	■ ^[1]	■
■	■	■	■	-	-	■ ^[1]	■
■	■	■	■	-	-	■ ^[1]	■
■	■	■	■	-	-	■ ^[1]	■
■	■	■	■	-	-	■ ^[1]	■
■	■	■	■	-	-	■ ^[1]	■
■	■	■	■	-	-	■ ^[1]	■
■	■	■	■	-	-	■ ^[1]	■
■	■	■	■	-	-	■ ^[1]	■
■	■	■	■	-	-	■ ^[1]	■
■	■	■	■	-	-	■ ^[1]	■
■	■	■	■	-	-	■ ^[1]	■
■	■	■	■	-	-	■ ^[1]	-
■	■	■	■	-	-	■ ^[1]	■
■	■	■	■	-	-	■ ^[1]	-
■	■	■	■	-	-	■ ^[1]	■
■	■	■	-	■	-	■	■
■	■	■	-	■	-	■	■
■	■	■	-	■	-	■	■
■	■	■	-	■	-	■	■
■	■	■	-	■	-	■	■
■	■	■	-	■	-	■	■
■	■	■	-	■	-	■ ^[1]	-
■	■	■	-	■	-	■ ^[1]	-
■	■	■	-	-	-	-	-
■	■	■	-	■	-	■	-
■	■	■	-	■	-	■	-
■	■	■	-	-	-	-	■
■	■	■	-	-	-	-	■

[1] Vds C: in combination with lock monitoring
 [2] In combination with A-opener

0007 narrow stile lock

for 1-leaf doors



Functional description

Standard function

Passage possible from both sides by operating the lever handle.
Use the key to move the deadbolt to the locked position.

Product description

0007 narrow stile lock

- Nickel silver or satin stainless steel faceplate
- 8 mm follower
- Zinc die-cast latch and deadbolt,
10 mm deadbolt throw, 1-turn
- With latch lever
- PC 72 mm hole distance

0007 narrow stile lock

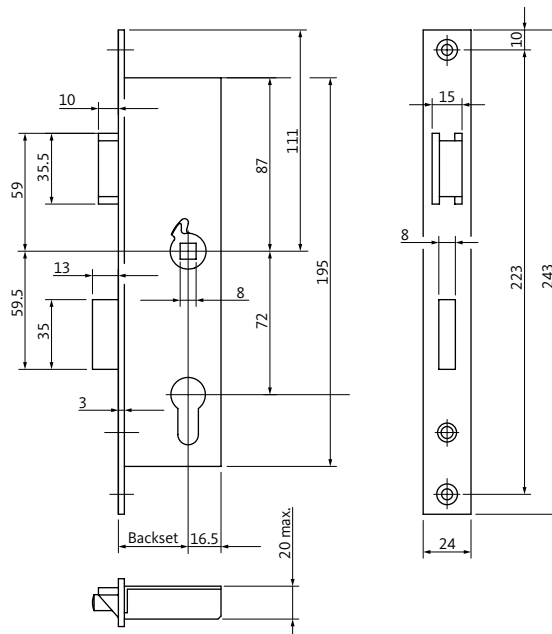
Faceplate Material/Finish	Backset [mm]	Faceplate Shape	Faceplate 20 x 3 x 235 mm		Faceplate 24 x 3 x 235 mm	
			DIN LH	DIN RH	DIN LH	DIN RH
Steel nickel silver	30	Square	00071011	00071012	00071019	00071020
	35	Square	00071013	00071014	00071021	00071022
	40	Square	00070271	00070272	00071023	00071024
	45	Square	00071015	00071016	00071025	00071026

Additional options (available on request)

Faceplate		Follower [mm]	Backset [mm]	Special version	Suitable strikers
Material/Finish	Width [mm]				
Satin stainless steel	-	-	-	-	S4010088 (nickel silver) S4010012 (nickel silver)

1205 narrow stile lock

for 1-leaf doors



Functional description

Standard function

Passage possible from both sides by operating the lever handle. Use the key to move the deadbolt to the locked position.

Product description

1205 narrow stile lock

- Nickel silver or satin stainless steel faceplate
- 8 mm follower
- Reversible zinc-die cast latch and deadbolt, 13 mm deadbolt throw, 1-turn
- With latch lever
- PC 72 mm hole distance

1205 narrow stile lock

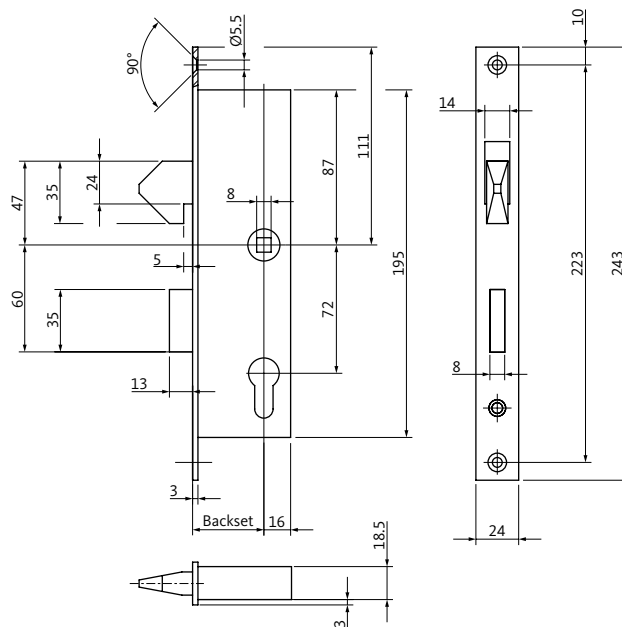
Faceplate Material/Finish	Backset [mm]	Faceplate Shape	Faceplate 24 x 3 x 245 mm Non-handed
Steel nickel silver	25	Square	12050005
	30	Square	12050001
	35	Square	12050006
	40	Square	12050007
Satin stainless steel	25	Square	12050120
	30	Square	12050062
	35	Square	12050060
	40	Square	12050056

Additional options (available on request)

Faceplate		Follower [mm]	Backset [mm]	Special version	Suitable strikers
Material/Finish	Width [mm]				
-	-	-	-	-	S4910023 (nickel silver) S4910025 (nickel silver)

1205H sliding door lock

with hook latch



Functional description

Standard function

Passage possible from both sides by operating the lever handle.
Use the key to move the deadbolt to the locked position.

Product description

1205H sliding door lock with hook latch

- Nickel silver or satin stainless steel faceplate
- 8 mm follower
- Zinc die-cast hook latch and deadbolt, 13 mm deadbolt throw, 1-turn
- With latch lever
- PC 72 mm hole distance

1205H sliding door lock

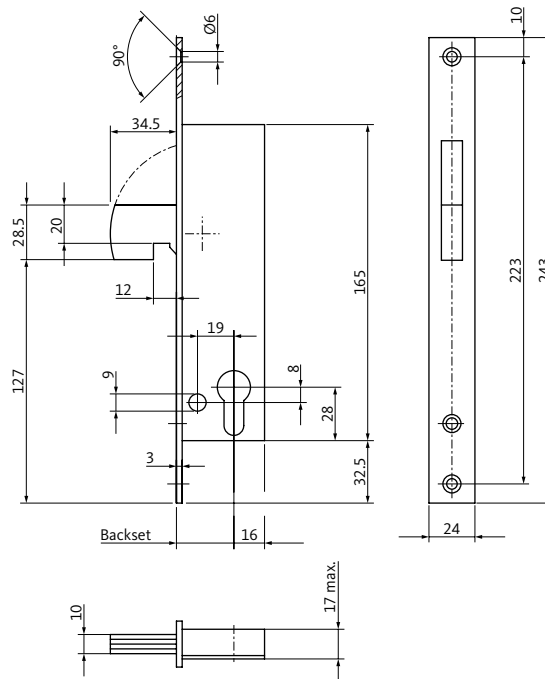
Faceplate Material/Finish	Backset [mm]	Faceplate Shape	Faceplate 24 x 3 x 243 mm Non-handed
Steel nickel silver	35	Square	12050028
	40	Square	12050029
Satin stainless steel	35	Square	12050064
	40	Square	12050104

Additional options (available on request)

Faceplate		Follower [mm]	Backset [mm]	Special version	Suitable strikers
Material/Finish	Width [mm]				
-	-	9	-	-	S4910023 (nickel silver) S4910025 (nickel silver)

1205SRH sliding door lock

with pivoting hook bolt



Functional description

Standard function

Passage possible from both sides by operating the cylinder. Use the key to move the pivoting hook bolt to the locked position.

Product description

1205SRH sliding door lock with pivoting hook bolt

- Nickel silver or satin stainless steel faceplate
- Zinc die-cast pivoting hook bolt
- With latch lever

1205SRH sliding door lock

Faceplate Material/Finish	Backset [mm]	Faceplate Shape	Faceplate 24 x 3 x 243 mm Non-handed
Steel nickel silver	30	Square	12050195
	35	Square	12050196
	40	Square	12050204
Satin stainless steel	30	Square	12050197
	35	Square	12050198
	40	Square	12050205

1205SRH sliding door lock with guide pin

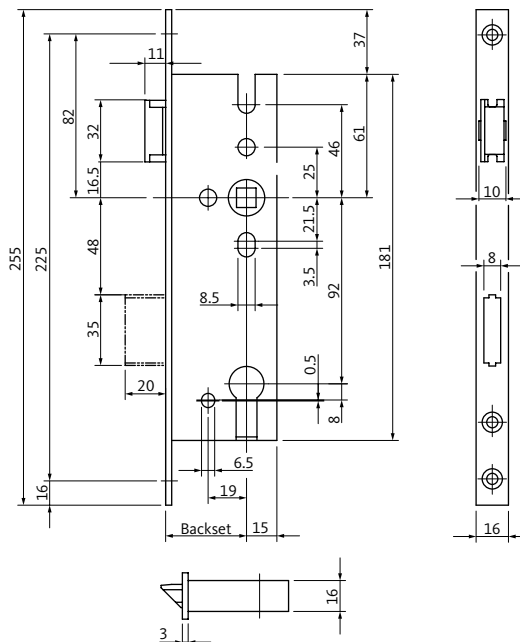
Faceplate Material/Finish	Backset [mm]	Faceplate Shape	Faceplate 24 x 3 x 243 mm Non-handed
Steel nickel silver	30	Square	12050199
	35	Square	12050200
	40	Square	12050206
Satin stainless steel	30	Square	12050190
	35	Square	12050201
	40	Square	12050207

Additional options (available on request)

Faceplate		Follower [mm]	Backset [mm]	Special version	Suitable strikers
Material/Finish	Width [mm]				
-	-	-	-	-	S4910029 (nickel silver) S4910030 (stainless steel) S4910068 (nickel silver) S4910053 (nickel silver)

B 1300 narrow stile lock

for 1-leaf doors



Functional description

Standard function

Passage possible from both sides by operating the lever handle.
Use the key to move the deadbolt to the locked position.

Product description

B 1300 narrow stile lock

- Nickel silver or satin stainless steel faceplate
- 8 mm follower
- Reversible zinc-die cast latch and deadbolt, 20 mm deadbolt throw, 1-turn
- With latch lever
- 92 mm (PC), 94 mm (CH-RC) hole distance

Standards



B 1300 narrow stile lock

Faceplate Material/Finish	Backset [mm]	Faceplate Shape	Faceplate 16 x 3 x 255 mm Non-handed
Satin stainless steel	25	Square	B 1300 0001
	30	Square	B 1300 0002
	35	Square	B 1300 0003
	40	Square	B 1300 0004
	45	Square	B 1300 0005
Steel nickel silver	25	Square	B 1300 0011
	30	Square	B 1300 0012
	35	Square	B 1300 0013
	40	Square	B 1300 0014
	45	Square	B 1300 0015

B 1300 narrow stile lock

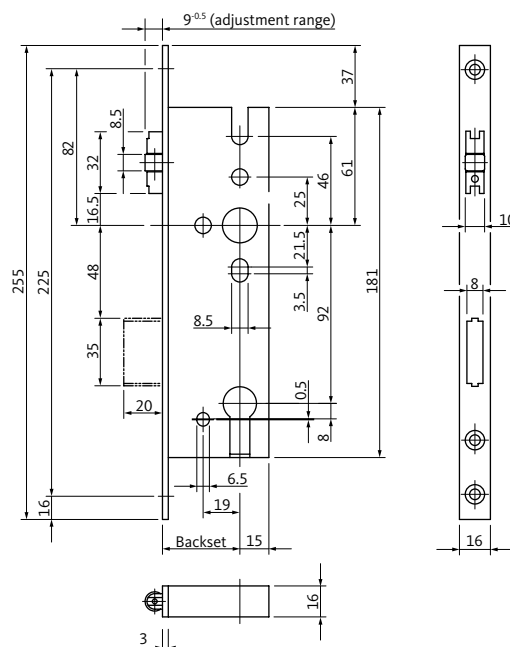
Faceplate Material/Finish	Backset [mm]	Faceplate Shape	Panic function E Faceplate 16 x 3 x 255 mm Non-handed
Satin stainless steel	35	Square	B 1300 0003 0001
	40	Square	B 1300 0004 0002
	45	Square	B 1300 0505
Steel nickel silver	35	Square	B 1300 0513
	40	Square	B 1300 0514
	45	Square	B 1300 0515

Additional options (available on request)

Faceplate		Follower [mm]	Backset [mm]	Special version	Suitable strikers
Material/Finish	Width [mm]				
-	-	9 10	-	Deadbolt monitoring (possible from 35 mm backset) Deadbolt with anti-saw protection (possible from 35 mm backset)	-

B 1300 roller latch & deadbolt lock

for 1-leaf doors



Functional description

Standard function

Passage possible from both sides, e.g. using a push/pull handle as only the roller latch latches the door shut. Use the key to move the deadbolt to the locked position.

Product description

B 1300 roller latch & deadbolt lock

- Nickel silver or satin stainless steel faceplate
- Plastic roller latch and zinc die-cast deadbolt, 20 mm deadbolt throw, 1-turn
- Without latch lever
- 92 mm (PC), 94 mm (CH-RC) hole distance

B 1300 roller latch lock

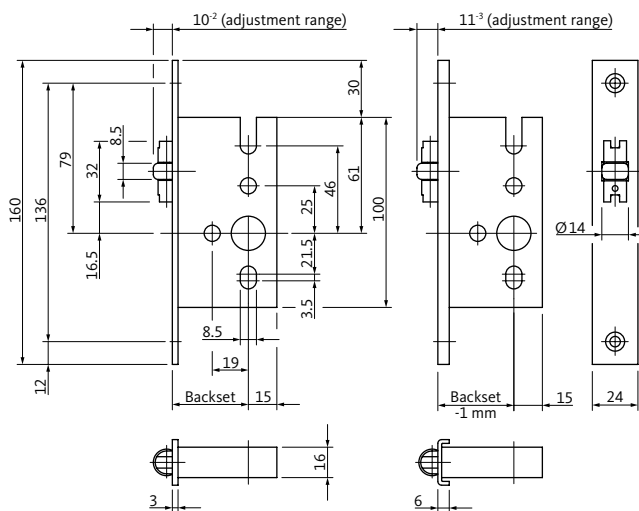
Faceplate Material/Finish	Backset [mm]	Faceplate Shape	Faceplate 16 x 3 x 255 mm Non-handed
Steel nickel silver	25	Square	B 1300 0111
	30	Square	B 1300 0112
	35	Square	B 1300 0113
	40	Square	B 1300 0114
	45	Square	B 1300 0115
Satin stainless steel	25	Square	B 1300 0101
	30	Square	B 1300 0102
	35	Square	B 1300 0103
	40	Square	B 1300 0104
	45	Square	B 1300 0105

Additional options (available on request)

Faceplate		Follower [mm]	Backset [mm]	Special version	Suitable strikers
Material/Finish	Width [mm]				
-	-	-	-	Deadbolt monitoring (possible from 35 mm backset) Deadbolt with anti-saw protection (possible from 35 mm backset)	-

B 1305 roller latch & deadbolt lock

for 1-leaf doors



Functional description

Standard function

Passage possible from both sides, e.g. using a push/pull handle as only the roller latch latches the door shut.

Product description

B 1305 roller latch lock

- Nickel silver or satin stainless steel faceplate
- Roller latch with plastic roller

B 1305 roller latch lock with flat faceplate

Faceplate Material/Finish	Backset [mm]	Faceplate Shape	Faceplate 24 x 3 x 160 mm Non-handed
Satin stainless steel	25	Square	B 1305 0001
	30	Square	B 1305 0002
	35	Square	B 1305 0003
	40	Square	B 1305 0004
	45	Square	B 1305 0005
Steel nickel silver	25	Square	B 1305 0011
	30	Square	B 1305 0012
	35	Square	B 1305 0013
	40	Square	B 1305 0014
	45	Square	B 1305 0015
Faceplate Material/Finish	Backset [mm]	Faceplate Shape	Faceplate 16 x 3 x 160 mm Non-handed
Steel nickel silver	25	Square	B 1305 0031
	30	Square	B 1305 0032
	35	Square	B 1305 0033
	40	Square	B 1305 0034
	45	Square	B 1305 0035

B 1305 roller latch lock with U-faceplate

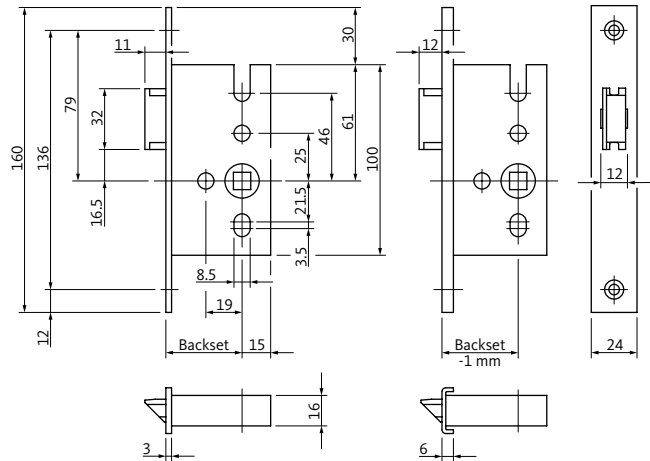
Faceplate Material/Finish	Backset [mm]	Faceplate Shape	U-faceplate 24 x 6 x 2 x 160 mm Non-handed
Satin stainless steel	24	Square	B 1305 0021
	29	Square	B 1305 0022
	34	Square	B 1305 0023
	39	Square	B 1305 0024
	44	Square	B 1305 0025

Additional options (available on request)

Faceplate Material/Finish	Width [mm]	Follower [mm]	Backset [mm]	Special version	Suitable strikers
-	16	-	-	-	B 9000 1097 B 9000 1098

B 1307 latch lock

for 1-leaf doors



Functional description

Standard function

Passage possible from both sides by operating the lever handle.

Product description

B 1307 latch lock

- Nickel silver or satin stainless steel faceplate
- 8 mm follower
- Zinc die-cast reversible latch

B 1307 latch lock with flat faceplate

Faceplate Material/Finish	Backset [mm]	Faceplate Shape	Faceplate 24 x 3 x 160 mm Non-handed
Satin stainless steel	25	Square	B 1307 0001
	30	Square	B 1307 0002
	35	Square	B 1307 0003
	40	Square	B 1307 0004
	45	Square	B 1307 0005
Steel nickel silver	25	Square	B 1307 0011
	30	Square	B 1307 0012
	35	Square	B 1307 0013
	40	Square	B 1307 0014
	45	Square	B 1307 0015
Faceplate Material/Finish	Backset [mm]	Faceplate Shape	Faceplate 16 x 3 x 160 mm Non-handed
Steel nickel silver	25	Square	B 1307 0071
	30	Square	B 1307 0072
	35	Square	B 1307 0073
	40	Square	B 1307 0074
	45	Square	B 1307 0075

B 1307 latch lock with U-faceplate

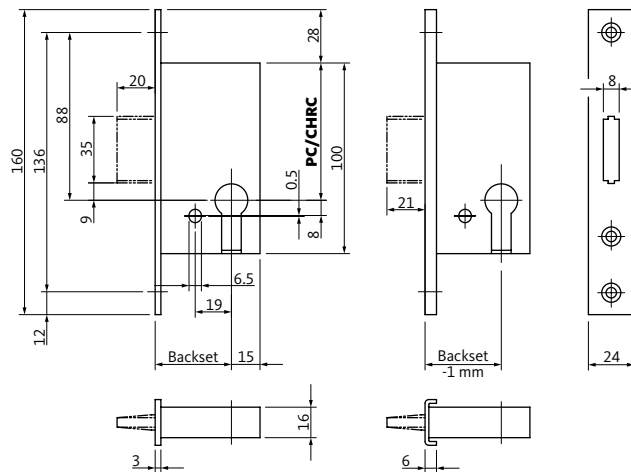
Faceplate Material/Finish	Backset [mm]	Faceplate Shape	U-faceplate 24 x 6 x 2 x 160 mm Non-handed
Satin stainless steel	24	Square	B 1307 0021
	29	Square	B 1307 0022
	34	Square	B 1307 0023
	39	Square	B 1307 0024
	44	Square	B 1307 0025

Additional options (available on request)

Faceplate Material/Finish	Width [mm]	Follower [mm]	Backset [mm]	Special version	Suitable strikers
-	16	9 10	-	-	B 9000 1097 B 9000 1098

B 1308 deadbolt lock

for 1-leaf doors



Functional description

Standard function

Use the key to move the deadbolt to the locked position.

Product description

B 1308 deadbolt lock

- Nickel silver or satin stainless steel faceplate
- Zinc die-cast deadbolt, 20 mm deadbolt throw, 1-turn

Variants



PC
hole-type



CH-RC
hole-type

B 1308 deadbolt lock with flat faceplate

Faceplate Material/Finish	Backset [mm]	Faceplate Shape	Faceplate 24 x 3 x 160 mm Non-handed
Satin stainless steel	25	Square	B 1308 0001
	30	Square	B 1308 0002
	35	Square	B 1308 0003
	40	Square	B 1308 0004
	45	Square	B 1308 0005
Steel nickel silver	25	Square	B 1308 0011
	30	Square	B 1308 0012
	35	Square	B 1308 0013
	40	Square	B 1308 0014
	45	Square	B 1308 0015
Faceplate Material/Finish	Backset [mm]	Faceplate Shape	Faceplate 16 x 3 x 160 mm Non-handed
Steel nickel silver	25	Square	B 1308 0071
	30	Square	B 1308 0072
	35	Square	B 1308 0073
	40	Square	B 1308 0074
	45	Square	B 1308 0075

B 1308 deadbolt lock with U-faceplate

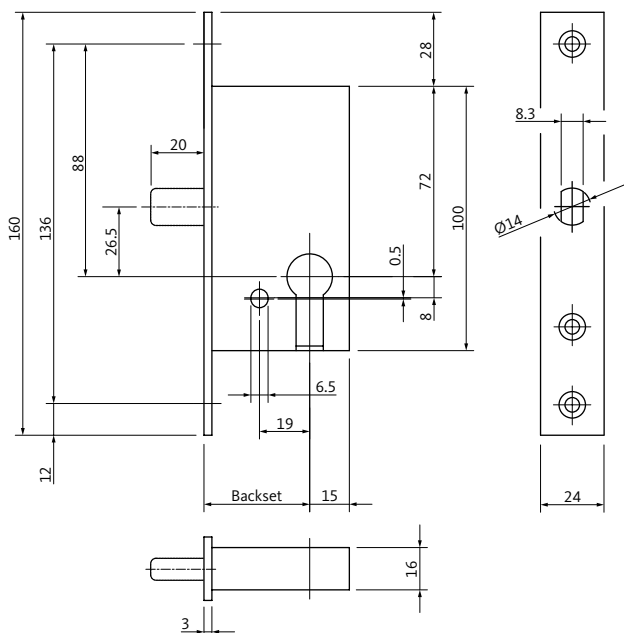
Faceplate Material/Finish	Backset [mm]	Faceplate Shape	U-faceplate 24 x 6 x 2 x 160 mm Non-handed
Satin stainless steel	24	Square	B 1308 0021
	29	Square	B 1308 0022
	34	Square	B 1308 0023
	39	Square	B 1308 0024
	44	Square	B 1308 0025

Additional options (available on request)

Faceplate Material/Finish	Width [mm]	Follower [mm]	Backset [mm]	Special version	Suitable strikers
-	16	-	-	Deadbolt monitoring (possible from 35 mm backset) Deadbolt with anti-saw protection (possible from 30 mm backset) CH-RC hole-type	B 9000 1100 B 9000 1101

B 1308 rounded-deadbolt lock

for 1-leaf doors



Functional description

Standard function

Use the key to move the pin bolt to the locked position.

Product description

B 1308 rounded-deadbolt lock

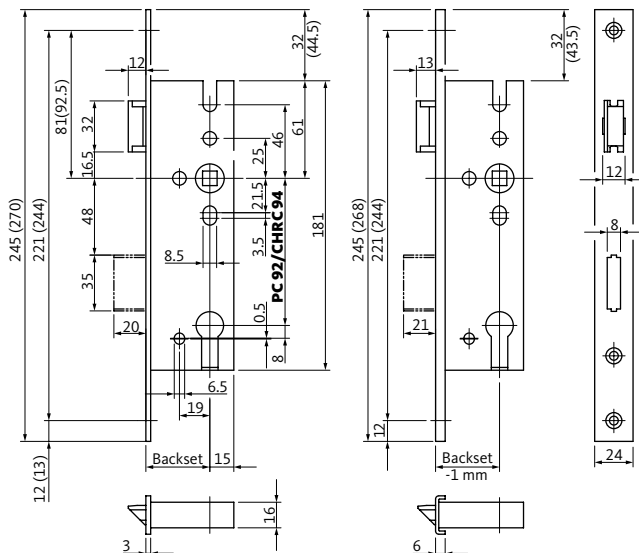
- Satin stainless steel faceplate
- 20 mm pin bolt throw

B 1308 rounded-deadbolt lock with flat faceplate

Faceplate Material/Finish	Backset [mm]	Faceplate Shape	Faceplate 24 x 3 x 160 mm Non-handed
Satin stainless steel	25	Square	B 1308 2001

B 1311 fire rated door lock

for 1-leaf doors



Functional description

Standard function

Passage possible from both sides by operating the lever handle. Use the key to move the deadbolt to the locked position.

Product description

B 1311 fire rated door lock

- Approved to DIN 18251-2, grade 3 and to EN 12209 for fire rated doors
- Nickel silver or satin stainless steel faceplate
- 9 mm follower
- Latch made of precision casting and zinc die-cast deadbolt, 20 mm deadbolt throw, 1-turn
- With latch lever
- 92 mm (PC), 94 mm (CH-RC) hole distance

Classification code

EN 12209

3	S	3	1	0	C	3	B	A	2	0
---	---	---	---	---	---	---	---	---	---	---

Variants



PC hole-type



CH-RC hole-type

Standards



B 1311 fire rated door lock

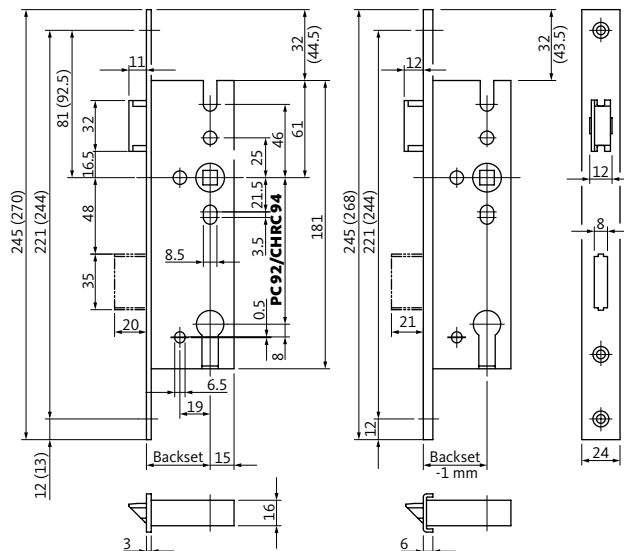
Faceplate Material/Finish	Backset [mm]	Faceplate Shape	Faceplate 24 x 3 x 245 mm	
			DIN LH	DIN RH
Satin stainless steel	35	Square	B 1311 0053	B 1311 0054
	40	Square	B 1311 0055	B 1311 0056
	45	Square	B 1311 0057	B 1311 0058
Steel nickel silver	35	Square	B 1311 0043	B 1311 0044
	40	Square	B 1311 0045	B 1311 0046
	45	Square	B 1311 0047	B 1311 0048
Faceplate Material/Finish	Backset [mm]	Faceplate Shape	U-faceplate 24 x 6 x 2 x 245 mm	
			DIN LH	DIN RH
Satin stainless steel	34	Square	B 1311 0203	B 1311 0204
	39	Square	B 1311 0205	B 1311 0206
	44	Square	B 1311 0207	B 1311 0208
Faceplate Material/Finish	Backset [mm]	Faceplate Shape	Faceplate 24 x 3 x 270 mm	
			DIN LH	DIN RH
Satin stainless steel	35	Square	B 1311 0003	B 1311 0004
	40	Square	B 1311 0005	B 1311 0006
	45	Square	B 1311 0007	B 1311 0008
Steel nickel silver	35	Square	B 1311 0013	B 1311 0014
	40	Square	B 1311 0015	B 1311 0016
	45	Square	B 1311 0017	B 1311 0018
Faceplate Material/Finish	Backset [mm]	Faceplate Shape	U-faceplate 24 x 6 x 2 x 268 mm	
			DIN LH	DIN RH
Satin stainless steel	34	Square	B 1311 0213	B 1311 0214
	39	Square	B 1311 0215	B 1311 0216
	44	Square	B 1311 0217	B 1311 0218

Additional options (available on request)

Faceplate		Follower [mm]	Backset [mm]	Special version	Suitable strikers
Material/Finish	Width [mm]				
-	-	-	-	Deadbolt monitoring (possible from 35 mm backset) Deadbolt with anti-saw protection (possible from 30 mm backset) CH-RC hole-type	B-90000-04-0-8 B-90000-26-0-8

B 1314 narrow stile lock

for 1-leaf doors



Functional description

Standard function

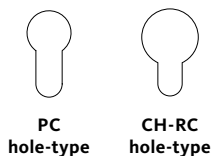
Passage possible from both sides by operating the lever handle. Use the key to move the deadbolt to the locked position.

Product description

B 1314 narrow stile lock

- Approved to DIN 18251-2, grade 3
- Nickel silver or satin stainless steel faceplate
- 8 mm follower
- Zinc die-cast latch and deadbolt, 20 mm deadbolt throw, 1-turn
- With latch lever
- 92 mm (PC), 94 mm (CH-RC) hole distance

Variants



B 1314 narrow stile lock

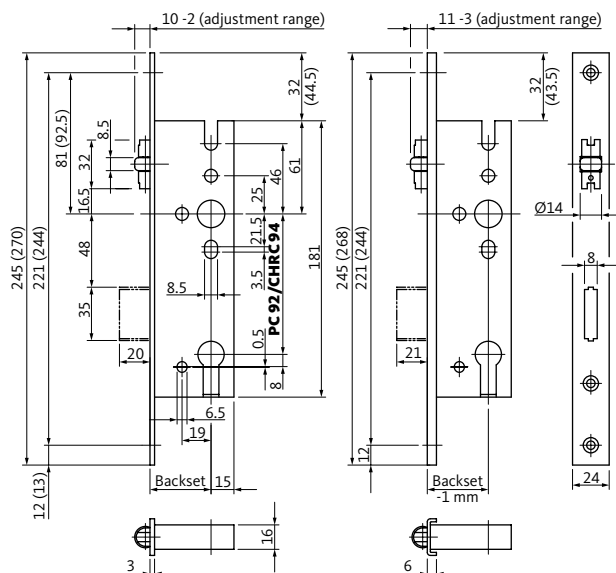
Faceplate Material/Finish	Backset [mm]	Faceplate Shape	Faceplate 24 x 3 x 245 mm Non-handed
Satin stainless steel	25	Square	B 1314 0001
	30	Square	B 1314 0002
	35	Square	B 1314 0003
	40	Square	B 1314 0004
	45	Square	B 1314 0005
Steel nickel silver	25	Square	B 1314 0011
	30	Square	B 1314 0012
	35	Square	B 1314 0013
	40	Square	B 1314 0014
	45	Square	B 1314 0015
Faceplate Material/Finish	Backset [mm]	Faceplate Shape	U-faceplate 24 x 6 x 2 x 245 mm Non-handed
Satin stainless steel	24	Square	B 1314 0031
	29	Square	B 1314 0032
	34	Square	B 1314 0033
	39	Square	B 1314 0034
	44	Square	B 1314 0035
Faceplate Material/Finish	Backset [mm]	Faceplate Shape	Faceplate 24 x 3 x 270 mm Non-handed
Satin stainless steel	25	Square	B 1314 0081
	30	Square	B 1314 0082
	35	Square	B 1314 0083
	40	Square	B 1314 0084
	45	Square	B 1314 0085
Steel nickel silver	25	Square	B 1314 0091
	30	Square	B 1314 0092
	35	Square	B 1314 0093
	40	Square	B 1314 0094
	45	Square	B 1314 0095
Faceplate Material/Finish	Backset [mm]	Faceplate Shape	U-faceplate 24 x 6 x 2 x 268 mm Non-handed
Satin stainless steel	24	Square	B 1314 0021
	29	Square	B 1314 0022
	34	Square	B 1314 0023
	39	Square	B 1314 0024
	44	Square	B 1314 0025

Additional options (available on request)

Faceplate		Follower [mm]	Backset [mm]	Special version	Suitable strikers
Material/Finish	Width [mm]				
-	-	9 10	-	Deadbolt monitoring (possible from 35 mm backset) Deadbolt with anti-saw protection (possible from 30 mm backset) CH-RC hole-type	B-90000-04-0-8 B-90000-26-0-8

B 1315 roller latch & deadbolt lock

for 1-leaf doors



Functional description

Standard function

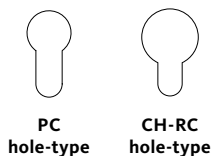
Passage possible from both sides, e.g. using a push/pull handle as only the roller latch latches the door shut. Use the key to move the deadbolt to the locked position.

Product description

B 1315 roller latch lock

- Nickel silver or satin stainless steel faceplate
- Plastic roller latch and zinc die-cast deadbolt, 20 mm deadbolt throw, 1-turn
- Without latch lever
- PC 92 mm hole distance

Variants



B 1315 roller latch lock

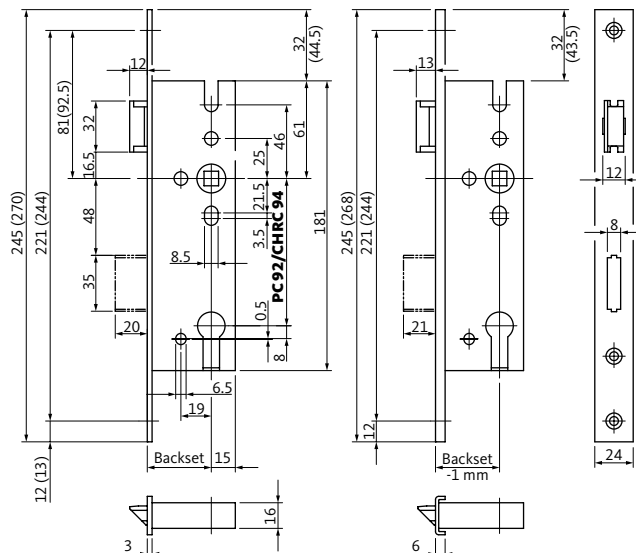
Faceplate Material/Finish	Backset [mm]	Faceplate Shape	Faceplate 24 x 3 x 245 mm Non-handed
Satin stainless steel	25	Square	B 1315 0001
	30	Square	B 1315 0002
	35	Square	B 1315 0003
	40	Square	B 1315 0004
	45	Square	B 1315 0005
Steel nickel silver	25	Square	B 1315 0011
	30	Square	B 1315 0012
	35	Square	B 1315 0013
	40	Square	B 1315 0014
	45	Square	B 1315 0015
Faceplate Material/Finish	Backset [mm]	Faceplate Shape	U-faceplate 24 x 6 x 2 x 245 mm Non-handed
Satin stainless steel	24	Square	B 1315 0031
	29	Square	B 1315 0032
	34	Square	B 1315 0033
	39	Square	B 1315 0034
	44	Square	B 1315 0035
Faceplate Material/Finish	Backset [mm]	Faceplate Shape	Faceplate 24 x 3 x 270 mm Non-handed
Satin stainless steel	25	Square	B 1315 0041
	30	Square	B 1315 0042
	35	Square	B 1315 0043
	40	Square	B 1315 0044
	45	Square	B 1315 0045
Faceplate Material/Finish	Backset [mm]	Faceplate Shape	U-faceplate 24 x 6 x 2 x 268 mm Non-handed
Satin stainless steel	24	Square	B 1315 0021
	29	Square	B 1315 0022
	34	Square	B 1315 0023
	39	Square	B 1315 0024
	44	Square	B 1315 0025

Additional options (available on request)

Faceplate		Follower [mm]	Backset [mm]	Special version	Suitable strikers
Material/Finish	Width [mm]				
-	-	-	-	Deadbolt monitoring (possible from 35 mm backset) Deadbolt with anti-saw protection (possible from 30 mm backset) CH-RC hole-type	B-90000-04-0-8 B-90000-26-0-8

B 1316 panic lock

for 1-leaf doors



Functional description

Panic function E

Panic lock for single-leaf doors with panic function on the interior lever handle. Opening the door is possible at any time. Mechanical access from outside using the key (via the latch lever).

For a detailed functional description see page 497.

Product description

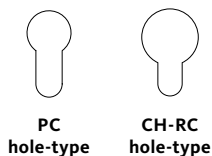
B 1316 panic lock

- Approved to DIN 18251-2, grade 3, EN 12209 for fire rated doors, EN 179 (emergency exits) and EN 1125 (panic doors)
- Nickel silver or satin stainless steel faceplate
- 9 mm follower
- Latch made of precision casting and zinc die-cast deadbolt, 20 mm deadbolt throw, 1-turn
- With latch lever
- 92 mm (PC), 94 mm (CH-RC) hole distance

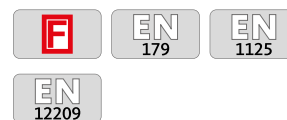
Classification code

EN 179										
3	7	7	B	1	3	4	2	A	B/D	
EN 1125										
3	7	7	B	1	3	2	1/2	A/B	B	
EN 12209										
3	S	3	1	0	C	3	B	A	2	0

Variants



Standards



B 1316 panic lock with flat faceplate

Faceplate Material/Finish	Backset [mm]	Faceplate Shape	Panic function E			
			Faceplate 24 x 3 x 245 mm		Faceplate 24 x 3 x 270 mm	
			DIN LH	DIN RH	DIN LH	DIN RH
Satin stainless steel	35	Square	B 1316 0243	B 1316 0244	B 1316 0203	B 1316 0204
	40	Square	B 1316 0245	B 1316 0246	B 1316 0205	B 1316 0206
	45	Square	B 1316 0247	B 1316 0248	B 1316 0207	B 1316 0208

B 1316 panic lock with U-faceplate

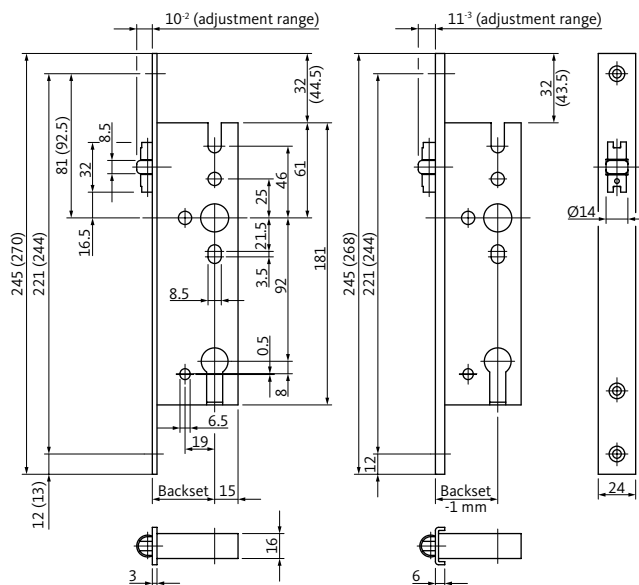
Faceplate Material/Finish	Backset [mm]	Faceplate Shape	Panic function E			
			U-faceplate 24 x 6 x 2 x 245 mm		U-faceplate 24 x 6 x 2 x 268 mm	
			DIN LH	DIN RH	DIN LH	DIN RH
Satin stainless steel	34	Square	B 1316 0253	B 1316 0254	B 1316 0213	B 1316 0214
	39	Square	B 1316 0255	B 1316 0256	B 1316 0215	B 1316 0216
	44	Square	B 1316 0257	B 1316 0258	B 1316 0217	B 1316 0218

Additional options (available on request)

Faceplate		Follower [mm]	Backset [mm]	Special version	Suitable strikers
Material/Finish	Width [mm]				
-	-	-	-	Deadbolt monitoring (possible from 35 mm backset) CH-RC hole-type	B-90000-04-0-8 B-90000-26-0-8

B 1325 roller latch lock

for 1-leaf doors



Functional description

Standard function

Passage possible from both sides, e.g. using a push/pull handle as only the roller latch latches the door shut.

Product description

B 1325 roller latch lock

- Nickel silver or satin stainless steel faceplate
- Roller latch with plastic roller
- Without latch lever
- PC 92 mm hole distance

B 1325 roller latch lock

Faceplate Material/Finish	Backset [mm]	Faceplate Shape	Faceplate 24 x 3 x 245 mm Non-handed
Satin stainless steel	25	Square	B 1325 0001
	30	Square	B 1325 0002
	35	Square	B 1325 0003
	40	Square	B 1325 0004
	45	Square	B 1325 0005
Steel nickel silver	25	Square	B 1325 0011
	30	Square	B 1325 0012
	35	Square	B 1325 0013
	40	Square	B 1325 0014
	45	Square	B 1325 0015
Faceplate Material/Finish	Backset [mm]	Faceplate Shape	U-faceplate 24 x 6 x 2 x 245 mm Non-handed
Satin stainless steel	24	Square	B 1325 0031
	29	Square	B 1325 0032
	34	Square	B 1325 0033
	39	Square	B 1325 0034
	44	Square	B 1325 0035
Faceplate Material/Finish	Backset [mm]	Faceplate Shape	Faceplate 24 x 3 x 270 mm Non-handed
Satin stainless steel	25	Square	B 1325 0041
	30	Square	B 1325 0042
	35	Square	B 1325 0043
	40	Square	B 1325 0044
	45	Square	B 1325 0045
Faceplate Material/Finish	Backset [mm]	Faceplate Shape	U-faceplate 24 x 6 x 2 x 268 mm Non-handed
Satin stainless steel	24	Square	B 1325 0021
	29	Square	B 1325 0022
	34	Square	B 1325 0023
	39	Square	B 1325 0024
	44	Square	B 1325 0025

Additional options (available on request)

Faceplate		Follower [mm]	Backset [mm]	Special version	Suitable strikers	
Material/Finish	Width [mm]				DIN LH	DIN RH
-	-	-	-	-	B-90000-52-L-8	B-90000-52-R-8
					B-90000-00-0-8	

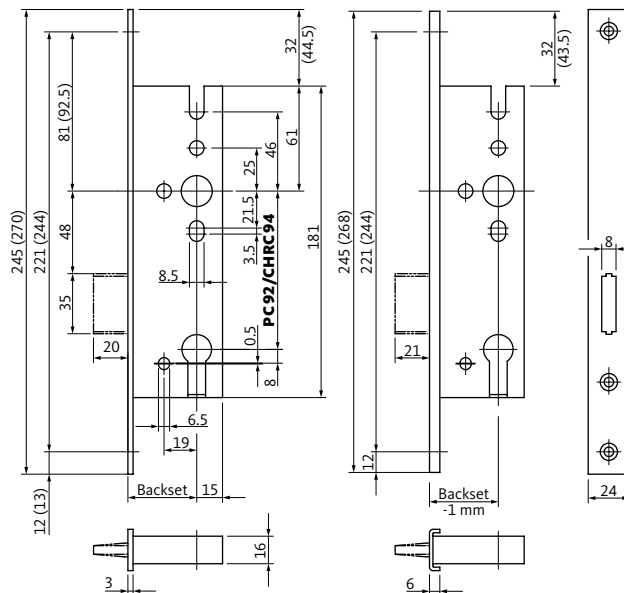
B 1327 latch lock			
Faceplate Material/Finish	Backset [mm]	Faceplate Shape	Faceplate 24 x 3 x 245 mm Non-handed
Satin stainless steel	25	Square	B 1327 0001
	30	Square	B 1327 0002
	35	Square	B 1327 0003
	40	Square	B 1327 0004
	45	Square	B 1327 0005
Steel nickel silver	25	Square	B 1327 0011
	30	Square	B 1327 0012
	35	Square	B 1327 0013
	40	Square	B 1327 0014
	45	Square	B 1327 0015
Faceplate Material/Finish	Backset [mm]	Faceplate Shape	U-faceplate 24 x 6 x 2 x 245 mm Non-handed
Satin stainless steel	24	Square	B 1327 0031
	29	Square	B 1327 0032
	34	Square	B 1327 0033
	39	Square	B 1327 0034
	44	Square	B 1327 0035
Faceplate Material/Finish	Backset [mm]	Faceplate Shape	Faceplate 24 x 3 x 270 mm Non-handed
Satin stainless steel	25	Square	B 1327 0041
	30	Square	B 1327 0042
	35	Square	B 1327 0043
	40	Square	B 1327 0044
	45	Square	B 1327 0045
Faceplate Material/Finish	Backset [mm]	Faceplate Shape	U-faceplate 24 x 6 x 2 x 268 mm Non-handed
Satin stainless steel	24	Square	B 1327 0021
	29	Square	B 1327 0022
	34	Square	B 1327 0023
	39	Square	B 1327 0024
	44	Square	B 1327 0025

Additional options (available on request)

Faceplate		Follower [mm]	Backset [mm]	Special version	Suitable strikers	
Material/Finish	Width [mm]				DIN LH	DIN RH
-	-	9 10	-	CH-RC hole-type	B-90000-52-L-8 B-90000-00-0-8	B-90000-52-R-8

B 1328 deadbolt lock

for 1-leaf doors



Functional description

Standard function

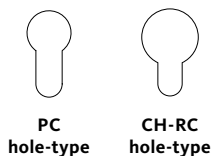
Use the key to move the deadbolt to the locked position.

Product description

B 1328 deadbolt lock

- Nickel silver or satin stainless steel faceplate
- Zinc die-cast deadbolt, 20 mm deadbolt throw, 1-turn
- Without latch lever
- PC 92 mm hole distance

Variants

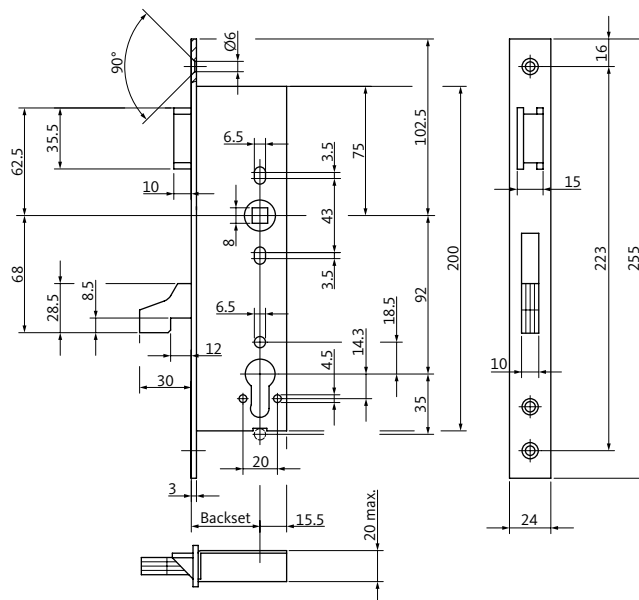


B 1328 deadbolt lock			
Faceplate Material/Finish	Backset [mm]	Faceplate Shape	Faceplate 24 x 3 x 245 mm Non-handed
Satin stainless steel	25	Square	B 1328 0001
	30	Square	B 1328 0002
	35	Square	B 1328 0003
	40	Square	B 1328 0004
	45	Square	B 1328 0005
Steel nickel silver	25	Square	B 1328 0041
	30	Square	B 1328 0042
	35	Square	B 1328 0043
	40	Square	B 1328 0044
	45	Square	B 1328 0045
Faceplate Material/Finish	Backset [mm]	Faceplate Shape	U-faceplate 24 x 3 x 2 x 245 mm Non-handed
Satin stainless steel	24	Square	B 1328 0031
	29	Square	B 1328 0032
	34	Square	B 1328 0033
	39	Square	B 1328 0034
	44	Square	B 1328 0035
Faceplate Material/Finish	Backset [mm]	Faceplate Shape	Faceplate 24 x 3 x 270 mm Non-handed
Satin stainless steel	25	Square	B 1328 0011
	30	Square	B 1328 0012
	35	Square	B 1328 0013
	40	Square	B 1328 0014
	45	Square	B 1328 0015
Faceplate Material/Finish	Backset [mm]	Faceplate Shape	U-faceplate 24 x 3 x 2 x 268 mm Non-handed
Satin stainless steel	24	Square	B 1328 0021
	29	Square	B 1328 0022
	34	Square	B 1328 0023
	39	Square	B 1328 0024
	44	Square	B 1328 0025

Additional options (available on request)					
Faceplate		Follower [mm]	Backset [mm]	Special version	Suitable strikers
Material/Finish	Width [mm]				
-	-		-	Deadbolt monitoring (possible from 35 mm backset) Deadbolt with anti-saw protection (possible from 30 mm backset) CH-RC hole-type	B-90000-02-0-8

1425 security lock

with pivoting hook bolt



Functional description

Standard function

Passage possible from both sides by operating the lever handle. Use the key to move the pivoting hook bolt to the locked position.

Product description

1425 security lock with pivoting hook bolt

- Nickel silver or satin stainless steel faceplate
- Pivoting hook bolt with hardened steel pins
- With latch lever
- PC 92 mm hole distance

1425 security lock with pivoting hook bolt

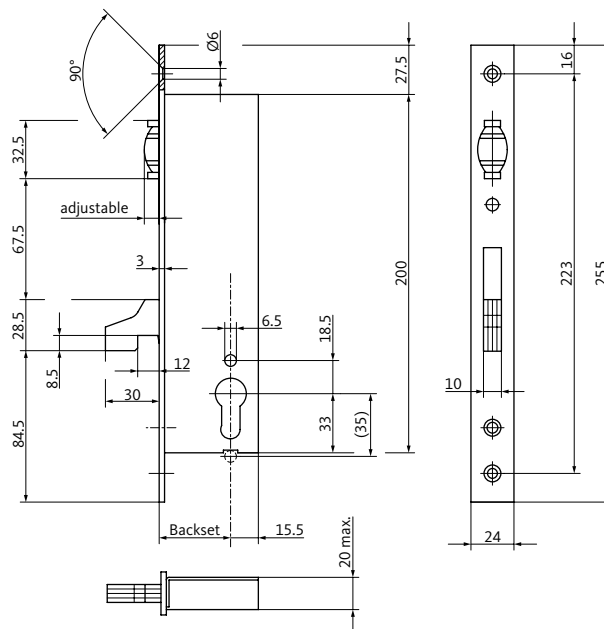
Faceplate Material/Finish	Backset [mm]	Faceplate Shape	Faceplate 24 x 3 x 255 mm Non-handed
Steel nickel silver	25	Square	14250017
	30	Square	14250018
	35	Square	14250019
	40	Square	14250020
Satin stainless steel	25	Square	14250021
	30	Square	14250022
	35	Square	14250023
	40	Square	14250024

Additional options (available on request)

Faceplate		Follower [mm]	Backset [mm]	Special version	Suitable strikers
Material/Finish	Width [mm]				
-	-	9	-	-	S4910046 (nickel silver) S4910047 (nickel silver)

1426 security lock

with pivoting hook bolt and roller latch



Functional description

Standard function

Use the key to move the pivoting hook bolt to the locked position. The roller latch latches the door shut.

Product description

1426 security lock with pivoting hook bolt and roller latch made of brass

- Nickel silver or satin stainless steel faceplate
- Pivoting hook bolt with hardened steel pins
- With latch lever
- PC 92 mm hole distance

1426 security lock with pivoting hook bolt and roller latch

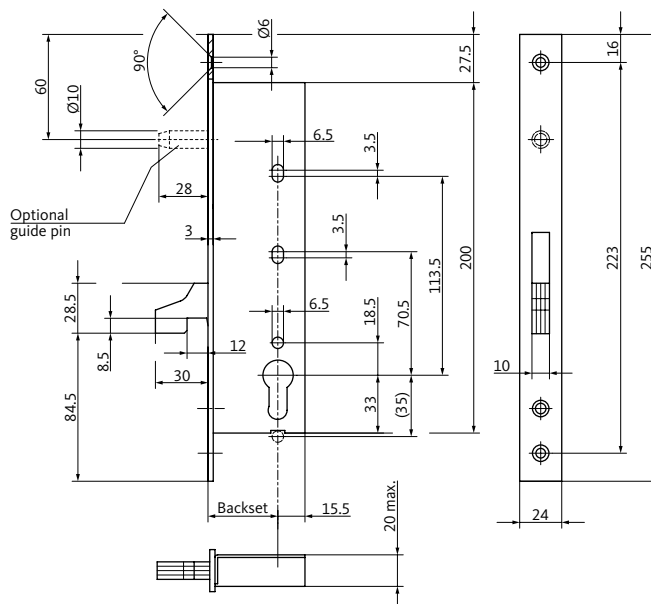
Faceplate Material/Finish	Backset [mm]	Faceplate Shape	Faceplate 24 x 3 x 255 mm Non-handed
Steel nickel silver	25	Square	14260009
	30	Square	14260010
	35	Square	14260003
	40	Square	14260004
Satin stainless steel	25	Square	14260011
	30	Square	14260012
	35	Square	14260013
	40	Square	14260008

Additional options (available on request)

Faceplate		Follower [mm]	Backset [mm]	Special version	Suitable strikers
Material/Finish	Width [mm]				
-	-	9	-	-	S4910075 (nickel silver) S4910059 (nickel silver)

1427 security lock

with pivoting hook bolt



Functional description

Standard function

Use the key to move the pivoting hook bolt to the locked position.

Product description

1427 security lock with pivoting hook bolt

- Nickel silver or satin stainless steel faceplate
- Pivoting hook bolt with hardened steel pins
- PC 92 mm hole distance

1427 security lock with pivoting hook bolt

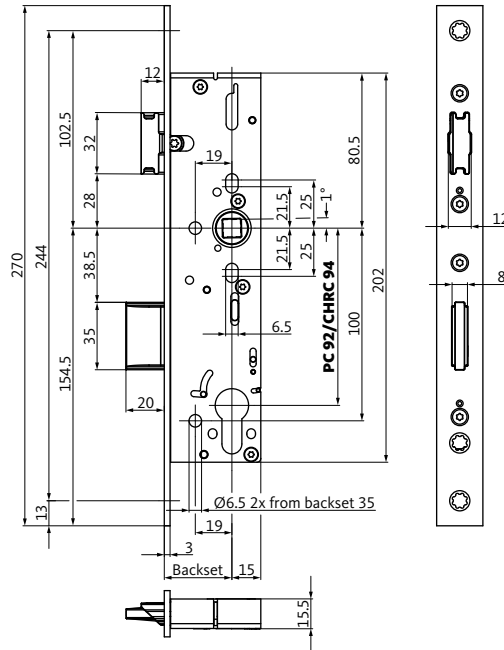
Faceplate Material/Finish	Backset [mm]	Faceplate Shape	Faceplate 24 x 3 x 255 mm Non-handed
Steel nickel silver	25	Square	14270005
	30	Square	14270006
	35	Square	14270007
	40	Square	14270008
Satin stainless steel	25	Square	14270013
	30	Square	14270014
	35	Square	14270015
	40	Square	14270016

Additional options (available on request)

Faceplate		Follower [mm]	Backset [mm]	Special version	Suitable strikers
Material/Finish	Width [mm]				
-	-	-	-	Guide pin	S4910037 (nickel silver) S4910038 (nickel silver)

B-1828 fire rated door lock

for 1-leaf doors



Functional description

Standard function

Passage possible from both sides by operating the lever handle.
Use the key to move the deadbolt to the locked position.

Product description

B-1828 fire rated door lock

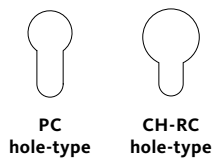
- Approved to EN 12209 for fire rated doors
- Satin stainless steel faceplate
- 9 mm follower
- Reversible latch
- Deadbolt, 1-turn (20 mm)
- With latch lever
- 92 mm (PC), 94 mm (CH-RC) hole distance

Classification code

EN 12209

3	S	3	1	0	C	4	B	A	2	0
---	---	---	---	---	---	---	---	---	---	---

Variants



Standards



B-1828 fire rated door lock

Faceplate Material/Finish	Backset [mm]	Faceplate Shape	Faceplate 24 x 3 x 270 mm	
			Non-handed	5 mm latch projection Non-handed
Satin stainless steel	25	Square	B-18280-22-U-8	B-18280-23-U-8
	30	Square	B-18280-00-U-8	B-18280-04-U-8
	35	Square	B-18280-01-U-8	B-18280-05-U-8
	40	Square	B-18280-02-U-8	B-18280-06-U-8
	45	Square	B-18280-03-U-8	B-18280-07-U-8

B-1828 fire rated door lock

Faceplate Material/Finish	Backset [mm]	Faceplate Shape	U-faceplate 24 x 6 x 2 x 268 mm	
			Non-handed	
Satin stainless steel	35	Square	B-18280-21-U-8	
	40	Square	B-18280-30-U-8	
	45	Square	B-18280-36-U-8	

B-1828 fire rated door lock with CH-RC hole type

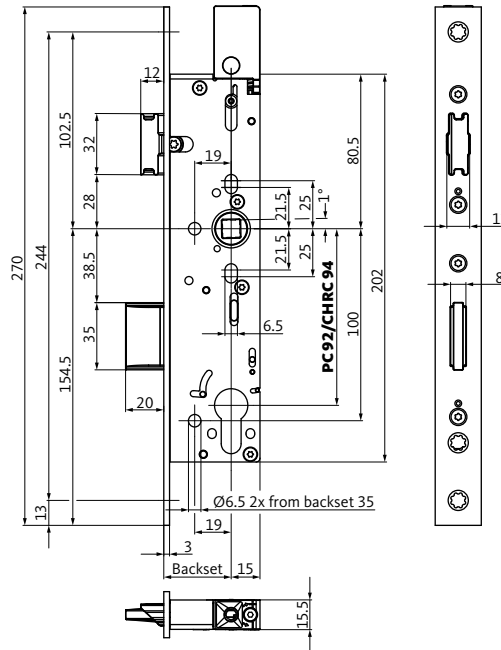
Faceplate Material/Finish	Backset [mm]	Faceplate Shape	Faceplate 24 x 3 x 270 mm	
			CH-RC hole-type Non-handed	
Satin stainless steel	30	Square	B-18280-12-U-8	
	35	Square	B-18280-13-U-8	
	40	Square	B-18280-14-U-8	
	45	Square	B-18280-15-U-8	

Additional options (available on request)

Faceplate		Follower [mm]	Backset [mm]	Special version	Suitable strikers
Material/Finish	Special faceplate				
Stainless steel, gold-plated matt	U-faceplate Adapter faceplate	-	50 55 60 65	Lock monitoring Deadbolt with anti-saw protection	B-90000-04-0-8 B-90000-26-0-8

B-1838 fire rated door lock

for 1-leaf doors with top-locking



Functional description

Standard function

Passage possible from both sides by operating the lever handle.
Use the key to move the deadbolt to the locked position.

Additional top-locking via spring-operated top latch B 1795
in conjunction with vertical top rod B 9006 which extends
upwards into the door frame.

Product description

B-1838 fire rated door lock with top-locking

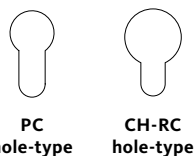
- Approved to EN 12209 for fire rated doors
- Satin stainless steel faceplate
- 9 mm follower
- Reversible latch
- Deadbolt, 1-turn (20 mm)
- With latch lever
- 92 mm (PC), 94 mm (CH-RC) hole distance
- Optionally with monitoring contacts

Classification code

EN 12209

3	S	3	1	0	C	4	B	A	2	0
---	---	---	---	---	---	---	---	---	---	---

Variants



PC
hole-type

CH-RC
hole-type

Standards



B-1838 fire rated door lock with top-locking

Faceplate Material/Finish	Backset [mm]	Faceplate Shape	Faceplate 24 x 3 x 270 mm Non-handed
Satin stainless steel	30	Square	B-18380-00-U-8
	35	Square	B-18380-01-U-8
	40	Square	B-18380-02-U-8
	45	Square	B-18380-03-U-8

B-1838 fire rated door lock with top-locking and CH-RC hole-type

Faceplate Material/Finish	Backset [mm]	Faceplate Shape	Faceplate 24 x 3 x 270 mm CH-RC hole-type Non-handed
Satin stainless steel	35	Square	B-18380-07-U-8
	40	Square	B-18380-08-U-8
	45	Square	B-18380-09-U-8

Additional options (available on request)

Faceplate		Follower [mm]	Backset [mm]	Special version	Suitable strikers
Material/Finish	Special faceplate				
Stainless steel, gold-plated matt	U-faceplate Adapter faceplate	-	50 55 60 65	Lock monitoring Deadbolt with anti-saw protection	B-90000-04-0-8 B-90000-26-0-8

B-1839 fire rated door lock with top-locking; with locked deadbolt both handles at idle

Faceplate Material/Finish	Backset [mm]	Faceplate Shape	Faceplate 24 x 3 x 270 mm Non-handed
Satin stainless steel	30	Square	B-18390-00-U-8
	35	Square	B-18390-01-U-8
	40	Square	B-18390-02-U-8
	45	Square	B-18390-03-U-8

B-1839 fire rated door lock with top-locking and CH-RC hole-type; with locked deadbolt both handles at idle

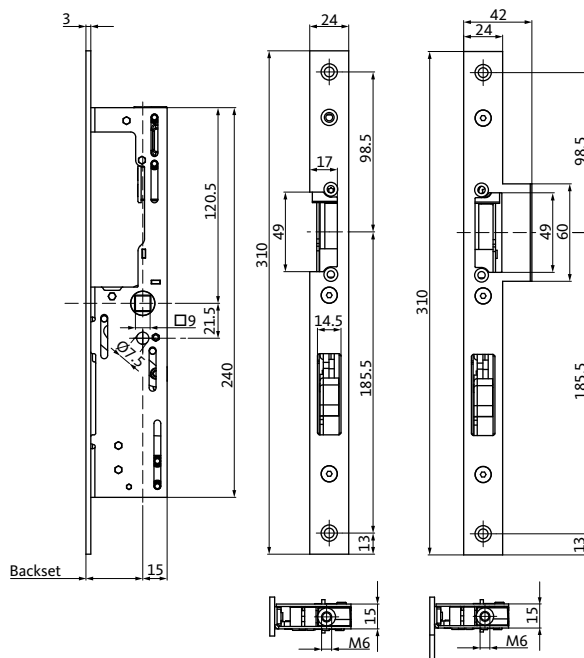
Faceplate Material/Finish	Backset [mm]	Faceplate Shape	Faceplate 24 x 3 x 270 mm CH-RC hole-type Non-handed
Satin stainless steel	35	Square	B-18390-10-U-8
	40	Square	B-18390-11-U-8
	45	Square	B-18390-12-U-8

Additional options (available on request)

Faceplate		Follower [mm]	Backset [mm]	Special version	Suitable strikers
Material/Finish	Special faceplate				
Stainless steel, gold-plated matt	U-faceplate Adapter faceplate	-	50 55 60 65	Lock monitoring Deadbolt with anti-saw protection	B-90000-04-0-8 B-90000-26-0-8

B 1793 shoot-bolt lock

with automatic locking, prepared for use with electric strike



Functional description

When the passive leaf is closed, automatic locking of vertical rods at the top and bottom is triggered by passive-leaf control lock B 1895. When unlocking, the vertical rods are retracted into the passive leaf by operating the vertical lever or panic push bar which pushes the deadbolt back into the lock of the active leaf.

Product description

B 1793 shoot-bolt lock prepared for METÖ electric strike

- Approved to EN 179 (emergency exits), EN 1125 (panic doors)
- Satin stainless steel faceplate
- 9 mm follower

Classification code

EN 179

3	7	7	B	1	3	4	2	A	C
---	---	---	---	---	---	---	---	---	---

EN 1125

3	7	7	B	1	3	2	1/2	A/B	C
---	---	---	---	---	---	---	-----	-----	---

Standards



B 1793 shoot-bolt lock, prepared for B-9252 METÖ electric strike

Faceplate Material/Finish	Backset [mm]	Faceplate Shape	Faceplate 24 x 3 x 310 mm	
			DIN LH	DIN RH
Satin stainless steel	35	Square	B 1793 6001	B 1793 6000
	40	Square	B 1793 6005	B 1793 6004
	45	Square	B 1793 6007	B 1793 6006
	54	Square	B 1793 6011	B 1793 6010
	60	Square	B 1793 6013	B 1793 6012
	65	Square	B 1793 6015	B 1793 6014

Also suitable for use with remote lock B 1798.

B 1793 shoot-bolt lock, prepared for B-9252 METÖ electric strike

Faceplate Material/Finish	Backset [mm]	Faceplate Shape	Lipped faceplate dim. A = 42 mm	
			DIN LH	DIN RH
Satin stainless steel	35	Square	B 1793 6021	B 1793 6020
	40	Square	B 1793 6025	B 1793 6024
	45	Square	B 1793 6027	B 1793 6026
	54	Square	B 1793 6031	B 1793 6030
	60	Square	B 1793 6033	B 1793 6032
	65	Square	B 1793 6035	B 1793 6034

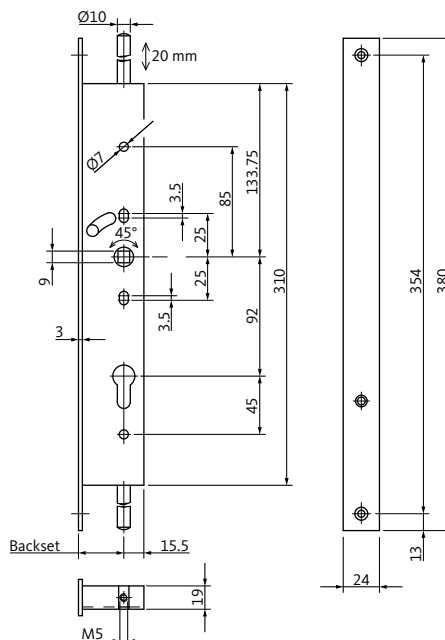
Also suitable for use with remote lock B 1798.

Additional options (available on request)

Faceplate		Follower [mm]	Backset [mm]	Special version	Suitable locks
Material/Finish	Special faceplate				
-	-	-	55	-	B-1821 / B-1823 / B-1825 / B-1827

B 1794 shoot-bolt lock

with automatic locking



Functional description

- Blocking the vertical rods:**
Push down the lever handle until stop and keep it pushed, turn the key in the direction of the faceplate and return the lever handle to its initial position.
- Releasing the blocked vertical rods:**
Push down the lever handle until stop and keep it pushed, turn the key in the direction of the hinge and return the lever handle to its initial position.
- Panic function:**
The panic function is always ensured from inside and outside (through follower).

Please note that when a push/pull handle is mounted on the outside and the vertical rods are not blocked (which means the door is closed), it is not possible to enter using the key as the lock has no latch lever. A secondary entrance door is mandatory. Locking at top and bottom via the B 1895 passive-leaf control lock in conjunction with the B 9036 spring-loaded vertical rod.

Product description

B 1794 shoot-bolt lock

- Approved to EN 179 (emergency exits)
- Satin stainless steel faceplate
- 9 mm follower

Classification code

EN 179

3	7	7	B	1	3	4	2	A	C
---	---	---	---	---	---	---	---	---	---

Standards



[1] Only suitable
"for fire rated doors"

B 1794 shoot-bolt lock

Faceplate Material/Finish	Backset [mm]	Faceplate Shape	Faceplate 24 x 3 x 380 mm Non-handed	Faceplate Shape	Faceplate 24 x 3 x 380 mm Non-handed
Satin stainless steel	35	Round	B 1794 0045	Square	B 1794 0031
	40	Round	B 1794 0046	Square	B 1794 0032
	45	Round	B 1794 0047	Square	B 1794 0033
	50	Round	B 1794 0048	Square	B 1794 0034
	55	Round	B 1794 0049	Square	B 1794 0035
	60	Round	B 1794 0050	Square	B 1794 0036
	65	Round	B 1794 0051	Square	B 1794 0037

Function:

1. Vertical rod can be withdrawn at any time, and locked/unlocked with the key.
2. When retracted, the vertical rod can be locked in place with the key (**no fire protection**).

B 1794 shoot-bolt lock for fire rated doors

Faceplate Material/Finish	Backset [mm]	Faceplate Shape	Faceplate 24 x 3 x 380 mm Non-handed	Faceplate Shape	Faceplate 24 x 3 x 380 mm Non-handed
Satin stainless steel	35	Round	B 1794 0052	Square	B 1794 0038
	40	Round	B 1794 0053	Square	B 1794 0039
	45	Round	B 1794 0054	Square	B 1794 0040
	50	Round	B 1794 0055	Square	B 1794 0041
	55	Round	B 1794 0056	Square	B 1794 0042
	60	Round	B 1794 0057	Square	B 1794 0043
	65	Round	B 1794 0058	Square	B 1794 0044

Function:

1. Vertical rod can be withdrawn at any time via lever handle, and locked/unlocked with the key, but not locked in place (**fire protection**).

B 1794 shoot-bolt lock with panic function

Faceplate Material/Finish	Backset [mm]	Faceplate Shape	Faceplate 24 x 3 x 380 mm Non-handed
Satin stainless steel	35	Square	B 1794 0131
	40	Square	B 1794 0132
	45	Square	B 1794 0133
	50	Square	B 1794 0134
	55	Square	B 1794 0135
	60	Square	B 1794 0136
	65	Square	B 1794 0137

Function:

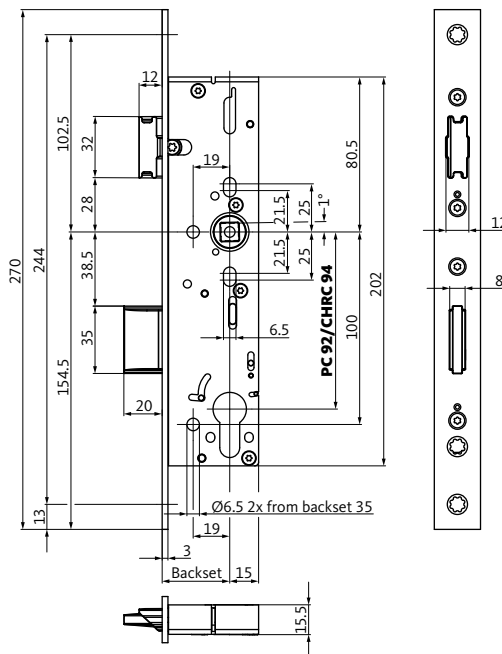
1. Vertical rod can be withdrawn at any time via a lever handle (**panic function**).
2. When retracted, the vertical rod can be locked in place with the key (**no fire protection**).

Additional options (available on request)

Faceplate Material/Finish	Width [mm]	Follower [mm]	Backset [mm]	Special versions
Stainless steel, gold-plated matt	28	-	-	-

B-1820 panic lock

for 1-leaf doors



Functional description

Panic function B

Panic lock for single-leaf doors with panic function on the interior lever handle. Opening the door is possible at any time. The exterior lever handle can be engaged or disengaged mechanically using the key.

For a detailed functional description see page 494.

Product description

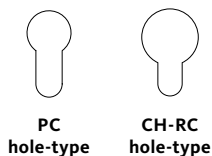
B-1820 panic lock

- Approved to EN 12209 for fire rated doors, EN 179 (emergency exits) and EN 1125 (panic doors)
- Reversible latch
- Switchable panic side outward/inward
- Deadbolt, 1-turn (20 mm)
- Satin stainless steel faceplate
- 9 mm split follower
- 92 mm (PC), 94 mm (CH-RC) hole distance
- Optionally with monitoring contacts

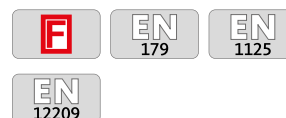
Classification code

EN 179										
3	7	7	B	1	3	4	2	A	B/D	
EN 1125										
3	7	7	B	1	3	2	1/2	A/B	B	
EN 12209										
3	S	3	1	0	C	4	B	A	2	0

Variants



Standards



B-1820 panic lock for 1-leaf doors

Faceplate Material/Finish	Backset [mm]	Faceplate Shape	Faceplate 24 x 3 x 270 mm	
			Non-handed	5 mm latch projection Non-handed
Satin stainless steel	30	Square	B-18200-00-L-8*	B-18200-04-L-8*
	35	Square	B-18200-01-L-8*	B-18200-05-L-8*
	40	Square	B-18200-02-L-8*	B-18200-06-L-8*
	45	Square	B-18200-03-L-8*	B-18200-07-L-8*

B-1820 panic lock for 1-leaf doors

Faceplate Material/Finish	Backset [mm]	Faceplate Shape	U-faceplate 24 x 6 x 2 x 268 mm	
			Non-handed	
Satin stainless steel	30	Square	B-18200-31-L-8*	
	35	Square	B-18200-16-L-8*	
	40	Square	B-18200-51-L-8*	
	45	Square	B-18200-19-L-8*	

B-1820 panic lock with CH-RC hole-type, for 1-leaf doors

Faceplate Material/Finish	Backset [mm]	Faceplate Shape	Faceplate 24 x 3 x 270 mm	
			CH-RC hole-type Non-handed	
Satin stainless steel	30	Square	B-18200-12-L-8*	
	35	Square	B-18200-13-L-8*	
	40	Square	B-18200-14-L-8*	
	45	Square	B-18200-15-L-8*	

* Make 1 out of 4 – and 4 out of 1

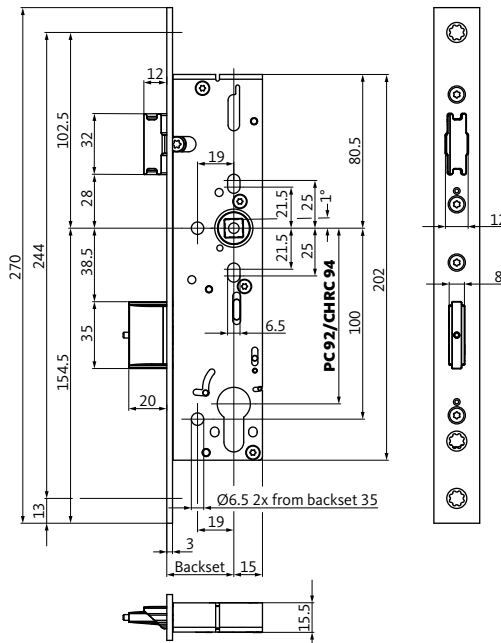
- reversible latch (non-handed)
- switchable panic side (inward/outward)

Additional options (available on request)

Faceplate		Follower [mm]	Backset [mm]	Special version	Suitable strikers
Material/Finish	Special faceplate				
Stainless steel, gold-plated matt	U-faceplate Adapter faceplate	–	50 55 60 65	Lock monitoring Deadbolt with anti-saw protection	B-90000-04-0-8 B-90000-26-0-8

B-1821 panic lock

for 2-leaf doors



Functional description

Panic function B

Panic lock for double-leaf doors with panic function on the interior lever handle. Opening the door is possible at any time. The exterior lever handle can be engaged or disengaged mechanically using the key.

For a detailed functional description see page 494.

Product description

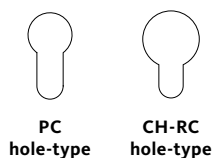
B-1821 panic lock

- Approved to EN 12209 for fire rated doors, EN 179 (emergency exits) and EN 1125 (panic doors)
- Reversible latch
- Switchable panic side outward/inward
- Deadbolt, 1-turn (20 mm)
- Satin stainless steel faceplate
- 9 mm split follower
- 92 mm (PC), 94 mm (CH-RC) hole distance
- Optionally with monitoring contacts

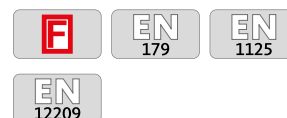
Classification code

EN 179										
3	7	7	B	1	3	4	2	A	A	
EN 1125										
3	7	7	B	1	3	2	1/2	A/B	A	
EN 12209										
3	S	3	1	0	C	0	B	A	2	0

Variants



Standards



B-1821 panic lock for 2-leaf doors

Faceplate Material/Finish	Backset [mm]	Faceplate Shape	Faceplate 24 x 3 x 270 mm	
			Non-handed	5 mm latch and deadbolt projection Non-handed
Satin stainless steel	30	Square	B-18210-00-L-8*	B-18210-04-L-8*
	35	Square	B-18210-01-L-8*	B-18210-05-L-8*
	40	Square	B-18210-02-L-8*	B-18210-06-L-8*
	45	Square	B-18210-03-L-8*	B-18210-07-L-8*

B-1821 panic lock for 2-leaf doors

Faceplate Material/Finish	Backset [mm]	Faceplate Shape	U-faceplate 24 x 6 x 2 x 268 mm	
			Non-handed	
Satin stainless steel	35	Square	B-18210-16-L-8*	
	40	Square	B-18210-37-L-8*	
	45	Square	B-18210-17-L-8*	

B-1821 panic lock with CH-RC hole type, for 2-leaf doors

Faceplate Material/Finish	Backset [mm]	Faceplate Shape	Faceplate 24 x 3 x 270 mm	
			CH-RC hole-type Non-handed	
Satin stainless steel	30	Square	B-18210-12-L-8*	
	35	Square	B-18210-13-L-8*	
	40	Square	B-18210-14-L-8*	
	45	Square	B-18210-15-L-8*	

* Make 1 out of 4 – and 4 out of 1

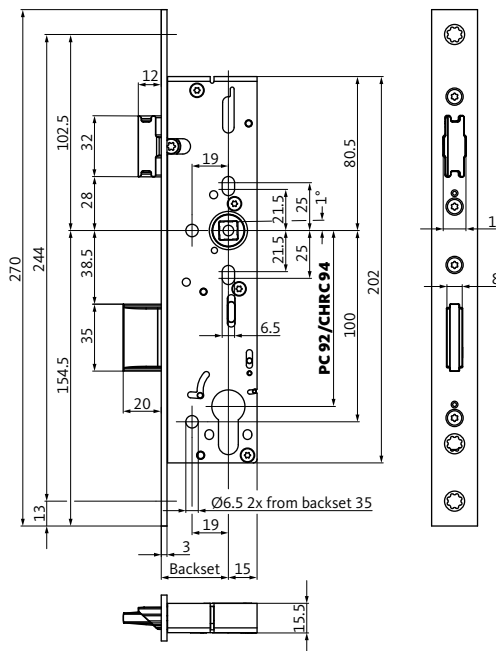
- reversible latch (non-handed)
- switchable panic side (inward/outward)

Additional options (available on request)

Faceplate		Follower [mm]	Backset [mm]	Special version	Suitable shoot-bolt locks
Material/Finish	Special faceplate				
Stainless steel, gold-plated matt	U-faceplate Adapter faceplate	–	50 55 60 65	Lock monitoring Deadbolt with anti-saw protection	B 1793 B-1890

B-1822 panic lock

for 1-leaf doors



Functional description

Panic function C

Panic lock for single-leaf doors with panic function on the interior lever handle. Opening the door is possible at any time. The exterior lever handle is always set to idle. The door can only be opened by operating the key and the lever handle. When the key is removed, the exterior lever handle reverts automatically to idle.

For a detailed functional description see page 495.

Product description

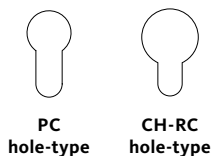
B-1822 panic lock

- Approved to EN 12209 for fire rated doors, EN 179 (emergency exits) and EN 1125 (panic doors)
- Reversible latch
- Switchable panic side outward/inward
- Deadbolt, 1-turn (20 mm)
- Satin stainless steel faceplate
- 9 mm split follower
- 92 mm (PC), 94 mm (CH-RC) hole distance
- Optionally with monitoring contacts

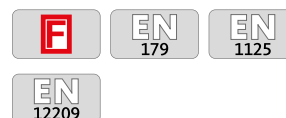
Classification code

EN 179										
3	7	7	B	1	3	4	2	A	B/D	
EN 1125										
3	7	7	B	1	3	2	1/2	A/B	B	
EN 12209										
3	S	3	1	0	C	4	B	A	2	0

Variants



Standards



B-1822 panic lock for 1-leaf doors

Faceplate Material/Finish	Backset [mm]	Faceplate Shape	Faceplate 24 x 3 x 270 mm	
			Non-handed	5 mm latch projection Non-handed
Satin stainless steel	30	Square	B-18220-00-L-8*	B-18220-04-L-8*
	35	Square	B-18220-01-L-8*	B-18220-05-L-8*
	40	Square	B-18220-02-L-8*	B-18220-06-L-8*
	45	Square	B-18220-03-L-8*	B-18220-07-L-8*

*** Make 1 out of 4 – and 4 out of 1**

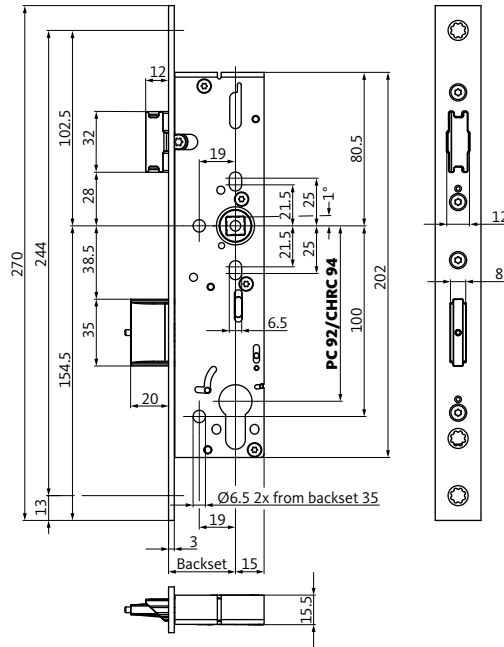
- reversible latch (non-handed)
- switchable panic side (inward/outward)

Additional options (available on request)

Faceplate		Follower [mm]	Backset [mm]	Special version	Suitable strikers
Material/Finish	Special faceplate				
Stainless steel, gold-plated matt	U-faceplate Adapter faceplate	–	50 55 60 65	Lock monitoring Deadbolt with anti-saw protection CH-RC hole-type	B-90000-04-0-8 B-90000-26-0-8

B-1823 panic lock

for 2-leaf doors



Functional description

Panic function C

Panic lock for double-leaf doors with panic function on the interior lever handle. Opening the door is possible at any time. The exterior lever handle is always set to idle. The door can only be opened by operating the key and the lever handle. When the key is removed, the exterior lever handle reverts automatically to idle.

For a detailed functional description see page 495.

Product description

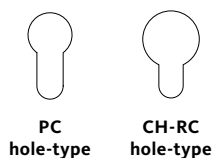
B-1823 panic lock

- Approved to EN 12209 for fire rated doors, EN 179 (emergency exits) and EN 1125 (panic doors)
- Reversible latch
- Switchable panic side outward/inward
- Deadbolt, 1-turn (20 mm)
- Satin stainless steel faceplate
- 9 mm split follower
- 92 mm (PC), 94 mm (CH-RC) hole distance
- Optionally with monitoring contacts

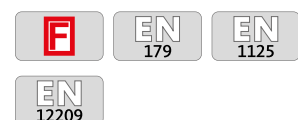
Classification code

EN 179										
3	7	7	B	1	3	4	2	A	A	
EN 1125										
3	7	7	B	1	3	2	1/2	A/B	A	
EN 12209										
3	S	3	1	0	C	0	B	A	2	0

Variants



Standards



B-1823 panic lock for 2-leaf doors

Faceplate Material/Finish	Backset [mm]	Faceplate Shape	Faceplate 24 x 3 x 270 mm	
			Non-handed	5 mm latch and deadbolt projection Non-handed
Satin stainless steel	30	Square	B-18230-01-L-8*	B-18230-05-L-8*
	35	Square	B-18230-02-L-8*	B-18230-06-L-8*
	40	Square	B-18230-03-L-8*	B-18230-07-L-8*
	45	Square	B-18230-04-L-8*	B-18230-08-L-8*

B-1823 panic lock with CH-RC hole-type, for 2-leaf doors

Faceplate Material/Finish	Backset [mm]	Faceplate Shape	Faceplate 24 x 3 x 270 mm	
			CH-RC hole-type Non-handed	
Satin stainless steel	30	Square	B-18230-10-L-8*	
	35	Square	B-18230-11-L-8*	
	40	Square	B-18230-12-L-8*	
	45	Square	B-18230-13-L-8*	

*** Make 1 out of 4 – and 4 out of 1**

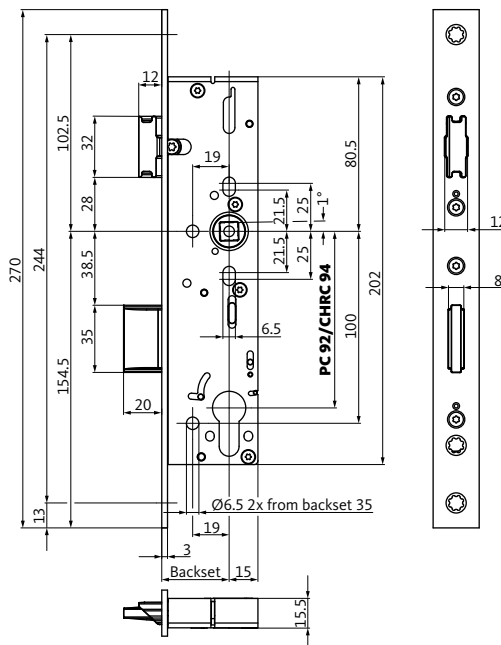
- reversible latch (non-handed)
- switchable panic side (inward/outward)

Additional options (available on request)

Faceplate		Follower [mm]	Backset [mm]	Special version	Suitable shoot-bolt locks
Material/Finish	Special faceplate				
Stainless steel, gold-plated matt	U-faceplate Adapter faceplate	–	50 55 60 65	Lock monitoring Deadbolt with anti-saw protection	B 1793 B-1890

B-1824 panic lock

for 1-leaf doors



Functional description

Panic function D

Panic lock for single-leaf doors with panic function on the interior lever handle. Following actuation of the panic-function from the inside, the exterior lever handle is coupled again. Passage from outside to inside.

For a detailed functional description see page 496.

Product description

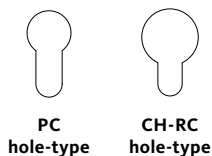
B-1824 panic lock

- Approved to EN 12209 for fire rated doors, EN 179 (emergency exits) and EN 1125 (panic doors)
- Reversible latch
- Switchable panic side outward/inward
- Deadbolt, 1-turn (20 mm)
- Satin stainless steel faceplate
- 9 mm split follower
- 92 mm (PC), 94 mm (CH-RC) hole distance
- Optionally with monitoring contacts

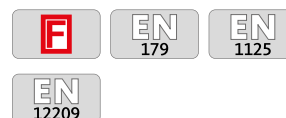
Classification code

EN 179										
3	7	7	B	1	3	4	2	A	B/D	
EN 1125										
3	7	7	B	1	3	2	1/2	A/B	B	
EN 12209										
3	S	3	1	0	C	4	B	A	2	0

Variants



Standards



B-1824 panic lock for 1-leaf doors

Faceplate Material/Finish	Backset [mm]	Faceplate Shape	Faceplate 24 x 3 x 270 mm	
			Non-handed	5 mm latch projection Non-handed
Satin stainless steel	25	Square	B-18240-12-L-8*	-
	30	Square	B-18240-00-L-8*	B-18240-04-L-8*
	35	Square	B-18240-01-L-8*	B-18240-05-L-8*
	40	Square	B-18240-02-L-8*	B-18240-06-L-8*
	45	Square	B-18240-03-L-8*	B-18240-07-L-8*

B-1824 panic lock with CH-RC hole-type, for 1-leaf doors

Faceplate Material/Finish	Backset [mm]	Faceplate Shape	Faceplate 24 x 3 x 270 mm	
			CH-RC hole-type Non-handed	
Satin stainless steel	35	Square	B-18240-20-L-8*	
	40	Square	B-18240-21-L-8*	
	45	Square	B-18240-25-L-8*	

*** Make 1 out of 4 – and 4 out of 1**

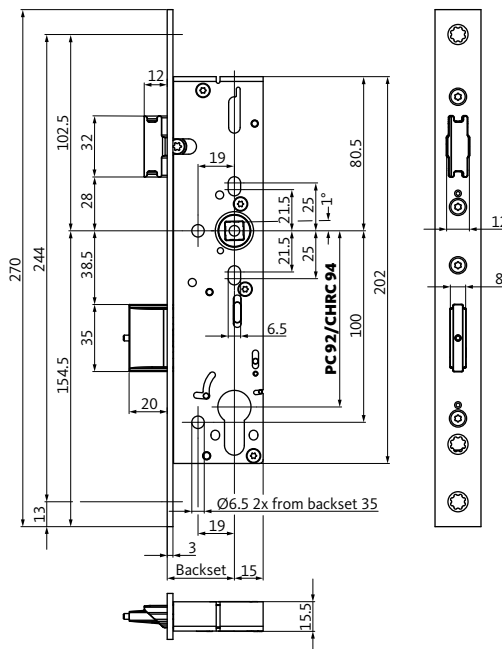
- reversible latch (non-handed)
- switchable panic side (inward/outward)

Additional options (available on request)

Faceplate		Follower [mm]	Backset [mm]	Special version	Suitable strikers
Material/Finish	Special faceplate				
Stainless steel, gold-plated matt	U-faceplate Adapter faceplate	-	50 55 60 65	Lock monitoring Deadbolt with anti-saw protection	B-90000-04-0-8 B-90000-26-0-8

B-1825 panic lock

for 2-leaf doors



Functional description

Panic function D

Panic lock for double-leaf doors with panic function on the interior lever handle. Following actuation of the panic-function from the inside, the exterior lever handle is coupled again. Passage from outside to inside.

For a detailed functional description see page 496.

Product description

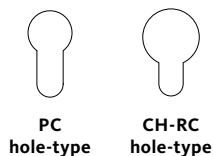
B-1825 panic lock

- Approved to EN 12209 for fire rated doors, EN 179 (emergency exits) and EN 1125 (panic doors)
- Reversible latch
- Switchable panic side outward/inward
- Deadbolt, 1-turn (20 mm)
- Satin stainless steel faceplate
- 9 mm split follower
- 92 mm (PC), 94 mm (CH-RC) hole distance
- Optionally with monitoring contacts

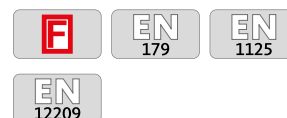
Classification code

EN 179										
3	7	7	B	1	3	4	2	A	A	
EN 1125										
3	7	7	B	1	3	2	1/2	A/B	A	
EN 12209										
3	S	3	1	0	C	0	B	A	2	0

Variants



Standards



B-1825 panic lock for 2-leaf doors

Faceplate Material/Finish	Backset [mm]	Faceplate Shape	Faceplate 24 x 3 x 270 mm	
			Non-handed	5 mm latch and deadbolt projection Non-handed
Satin stainless steel	30	Square	B-18250-00-L-8*	B-18250-04-L-8*
	35	Square	B-18250-01-L-8*	B-18250-05-L-8*
	40	Square	B-18250-02-L-8*	B-18250-06-L-8*
	45	Square	B-18250-03-L-8*	B-18250-07-L-8*

B-1825 panic lock with CH-RC hole-type, for 2-leaf doors

Faceplate Material/Finish	Backset [mm]	Faceplate Shape	Faceplate 24 x 3 x 270 mm	
			CH-RC hole-type Non-handed	
Satin stainless steel	30	Square	B-18250-19-L-8*	
	35	Square	B-18250-20-L-8*	
	40	Square	B-18250-21-L-8*	

*** Make 1 out of 4 – and 4 out of 1**

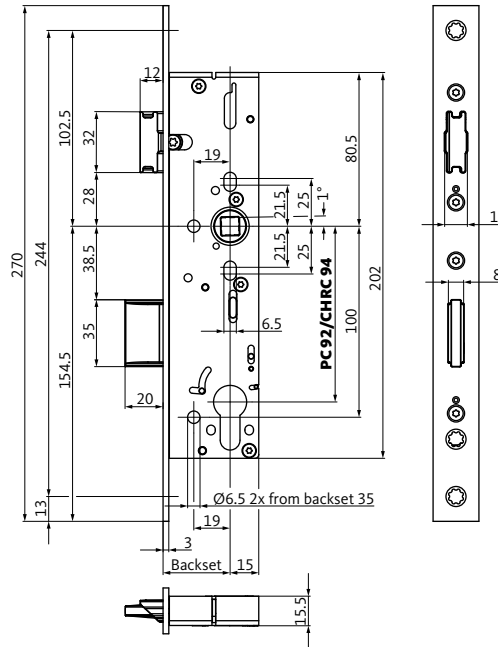
- reversible latch (non-handed)
- switchable panic side (inward/outward)

Additional options (available on request)

Faceplate		Follower [mm]	Backset [mm]	Special version	Suitable shoot-bolt locks
Material/Finish	Special faceplate				
Stainless steel, gold-plated matt	U-faceplate Adapter faceplate	–	50 55 60 65	Lock monitoring Deadbolt with anti-saw protection	B 1793 B-1890

B-1826 panic lock

for 1-leaf doors



Functional description

Panic function E

Panic lock for single-leaf doors with panic function on the interior lever handle. Opening the door is possible at any time. Mechanical access from outside using the key (via the latch lever).

For a detailed functional description see page 497.

Product description

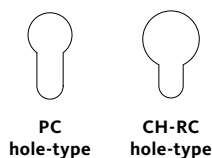
B-1826 panic lock

- Approved to EN 12209 for fire rated doors, EN 179 (emergency exits) and EN 1125 (panic doors)
- Reversible latch
- Deadbolt, 1-turn (20 mm)
- Satin stainless steel faceplate
- 9 mm follower
- With latch lever
- 92 mm (PC), 94 mm (CH-RC) hole distance
- Optionally with monitoring contacts

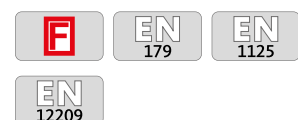
Classification code

EN 179										
3	7	7	B	1	3	4	2	A	B/D	
EN 1125										
3	7	7	B	1	3	2	1/2	A/B	B	
EN 12209										
3	S	3	1	0	C	4	B	A	2	0

Variants



Standards



B-1826 panic lock for 1-leaf doors

Faceplate Material/Finish	Backset [mm]	Faceplate Shape	Faceplate 24 x 3 x 270 mm	
			Non-handed	5 mm latch projection Non-handed
Satin stainless steel	25	Square	B-18260-25-U-8	B-18260-26-U-8
	30	Square	B-18260-00-U-8	B-18260-04-U-8
	35	Square	B-18260-01-U-8	B-18260-05-U-8
	40	Square	B-18260-02-U-8	B-18260-06-U-8
	45	Square	B-18260-03-U-8	B-18260-07-U-8

B-1826 panic lock for 1-leaf doors

Faceplate Material/Finish	Backset [mm]	Faceplate Shape	U-faceplate 24 x 6 x 2 x 268 mm	
			Non-handed	
Satin stainless steel	30	Square	B-18260-35-U-8	
	35	Square	B-18260-18-U-8	
	40	Square	B-18260-41-U-8	
	45	Square	B-18260-22-U-8	

B-1826 panic lock with CH-RC hole-type, for 1-leaf doors

Faceplate Material/Finish	Backset [mm]	Faceplate Shape	Faceplate 24 x 3 x 270 mm	
			CH-RC hole-type Non-handed	
Satin stainless steel	30	Square	B-18260-12-U-8	
	35	Square	B-18260-13-U-8	
	40	Square	B-18260-14-U-8	
	45	Square	B-18260-15-U-8	

B-1826 panic lock for 1-leaf doors

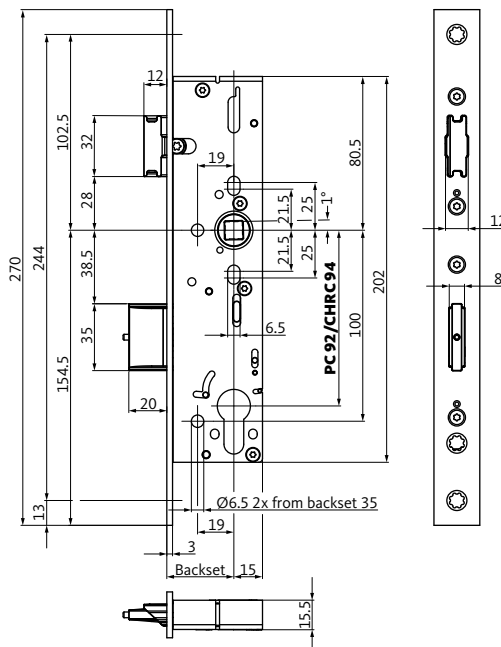
Faceplate Material/Finish	Backset [mm]	Faceplate Shape	Faceplate 24 x 3 x 270 mm	
			Key-controlled latch holdback (no fire door approval) Non-handed	
Satin stainless steel	30	Square	B-18260-08-U-8	
	35	Square	B-18260-09-U-8	
	40	Square	B-18260-10-U-8	
	45	Square	B-18260-11-U-8	

Additional options (available on request)

Faceplate		Follower [mm]	Backset [mm]	Special version	Suitable strikers
Material/Finish	Special faceplate				
Stainless steel, gold-plated matt	U-faceplate Adapter faceplate	-	50 55 60 65	Lock monitoring Deadbolt with anti-saw protection	B-90000-04-0-8 B-90000-26-0-8

B-1827 panic lock

for 2-leaf doors



Functional description

Panic function E

Panic lock for double-leaf doors with panic function on the interior lever handle. Opening the door is possible at any time. Mechanical access from outside using the key (via the latch lever).

For a detailed functional description see page 497.

Product description

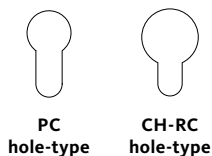
B-1827 panic lock

- Approved to EN 12209 for fire rated doors, EN 179 (emergency exits) and EN 1125 (panic doors)
- Reversible latch
- Deadbolt, 1-turn (20 mm)
- Satin stainless steel faceplate
- 9 mm follower
- With latch lever
- 92 mm (PC), 94 mm (CH-RC) hole distance
- Optionally with monitoring contacts

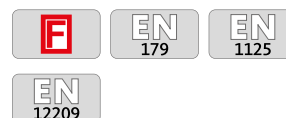
Classification code

EN 179										
3	7	7	B	1	3	4	2	A	A	
EN 1125										
3	7	7	B	1	3	2	1/2	A/B	A	
EN 12209										
3	S	3	1	0	C	0	B	A	2	0

Variants



Standards



B-1827 panic lock for 2-leaf doors

Faceplate Material/Finish	Backset [mm]	Faceplate Shape	Faceplate 24 x 3 x 270 mm	
			Non-handed	5 mm latch and deadbolt projection Non-handed
Satin stainless steel	30	Square	B-18270-00-U-8	B-18270-04-U-8
	35	Square	B-18270-01-U-8	B-18270-05-U-8
	40	Square	B-18270-02-U-8	B-18270-06-U-8
	45	Square	B-18270-03-U-8	B-18270-07-U-8

B-1827 panic lock for 2-leaf doors

Faceplate Material/Finish	Backset [mm]	Faceplate Shape	U-faceplate 24 x 6 x 2 x 268 mm	
			Non-handed	
Satin stainless steel	30	Square	B-18270-43-U-8	
	35	Square	B-18270-20-U-8	
	45	Square	B-18270-21-U-8	

B-1827 panic lock with CH-RC hole-type, for 2-leaf doors

Faceplate Material/Finish	Backset [mm]	Faceplate Shape	Faceplate 24 x 3 x 270 mm	
			CH-RC hole-type Non-handed	
Satin stainless steel	30	Square	B-18270-12-U-8	
	35	Square	B-18270-13-U-8	
	40	Square	B-18270-14-U-8	
	45	Square	B-18270-15-U-8	

B-1827 panic lock for 2-leaf doors

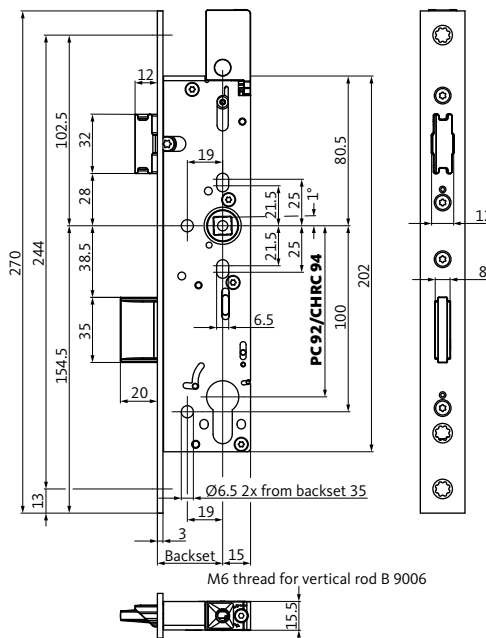
Faceplate Material/Finish	Backset [mm]	Faceplate Shape	Faceplate 24 x 3 x 270 mm	
			Key-controlled latch holdback (no fire door approval) Non-handed	
Satin stainless steel	30	Square	B-18270-08-U-8	
	35	Square	B-18270-09-U-8	
	40	Square	B-18270-10-U-8	
	45	Square	B-18270-11-U-8	

Additional options (available on request)

Faceplate		Follower [mm]	Backset [mm]	Special version	Suitable shoot-bolt locks
Material/Finish	Special faceplate				
Stainless steel, gold-plated matt	U-faceplate Adapter faceplate	-	50 55 60 65	Lock monitoring Deadbolt with anti-saw protection	B 1793 B-1890

B-1830 panic lock

for 1-leaf doors with top-locking



Functional description

Panic function B

Panic lock for single-leaf doors with panic function on the interior lever handle. Opening the door is possible at any time. The exterior lever handle can be engaged or disengaged mechanically using the key.

For a detailed functional description see page 494.

Product description

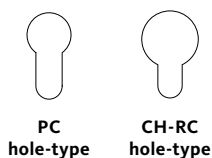
B-1830 panic lock with top-locking

- Approved to EN 12209 for fire rated doors, EN 179 (emergency exits) and EN 1125 (panic doors)
- Reversible latch
- Switchable panic side outward/inward
- Deadbolt, 1-turn (20 mm)
- Satin stainless steel faceplate
- 9 mm split follower
- 92 mm (PC), 94 mm (CH-RC) hole distance
- Optionally with monitoring contacts

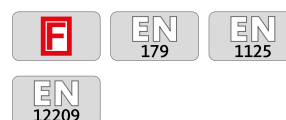
Classification code

EN 179										
3	7	7	B	1	3	4	2	A	B/D	
EN 1125										
3	7	7	B	1	3	2	1/2	A/B	B	
EN 12209										
3	S	3	1	0	C	4	B	A	2	0

Variants



Standards



B-1830 panic lock with top-locking for 1-leaf doors

Faceplate Material/Finish	Backset [mm]	Faceplate Shape	Faceplate 24 x 3 x 270 mm Non-handed
Satin stainless steel	30	Square	B-18300-00-L-8*
	35	Square	B-18300-01-L-8*
	40	Square	B-18300-02-L-8*
	45	Square	B-18300-03-L-8*

B-1830 panic lock with top-locking and CH-RC hole-type, for 1-leaf doors

Faceplate Material/Finish	Backset [mm]	Faceplate Shape	Faceplate 24 x 3 x 270 mm CH-RC hole-type Non-handed
Satin stainless steel	35	Square	B-18300-09-L-8*
	40	Square	B-18300-10-L-8*
	45	Square	B-18300-11-L-8*

*** Make 1 out of 4 – and 4 out of 1**

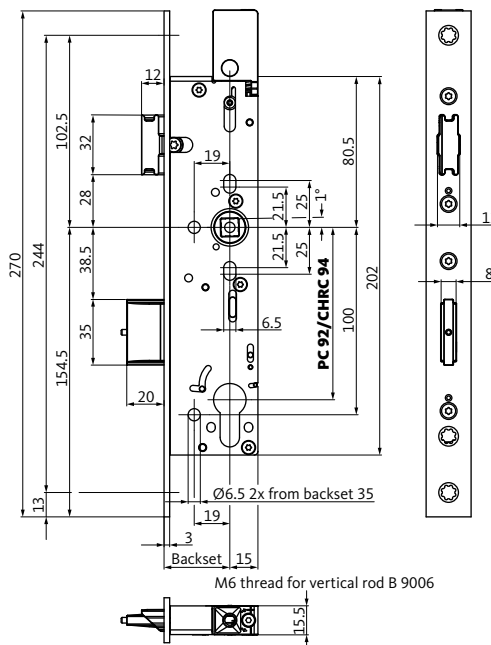
- reversible latch (non-handed)
- switchable panic side (inward/outward)

Additional options (available on request)

Faceplate		Follower [mm]	Backset [mm]	Special version	Suitable strikers
Material/Finish	Special faceplate				
Stainless steel, gold-plated matt	U-faceplate Adapter faceplate	–	50 55 60 65	Lock monitoring (faceplate 320 mm) Deadbolt with anti-saw protection	B-90000-04-0-8 B-90000-26-0-8

B-1831 panic lock

for 2-leaf doors with top-locking



Functional description

Panic function B

Panic lock for double-leaf doors with panic function on the interior lever handle. Opening the door is possible at any time. The exterior lever handle can be engaged or disengaged mechanically using the key.

For a detailed functional description see page 494.

Product description

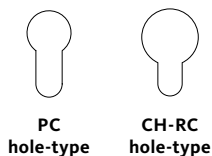
B-1831 panic lock with top-locking

- Approved to EN 12209 for fire rated doors, EN 179 (emergency exits) and EN 1125 (panic doors)
- Reversible latch
- Switchable panic side outward/inward
- Deadbolt, 1-turn (20 mm)
- Satin stainless steel faceplate
- 9 mm split follower
- 92 mm (PC), 94 mm (CH-RC) hole distance
- Optionally with monitoring contacts

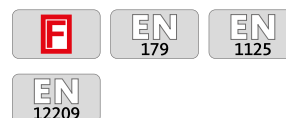
Classification code

EN 179										
3	7	7	B	1	3	4	2	A	A	
EN 1125										
3	7	7	B	1	3	2	1/2	A/B	A	
EN 12209										
3	S	3	1	0	C	0	B	A	2	0

Variants



Standards



B-1831 panic lock with top-locking for 2-leaf doors

Faceplate Material/Finish	Backset [mm]	Faceplate Shape	Faceplate 24 x 3 x 270 mm Non-handed
Satin stainless steel	30	Square	B-18310-00-L-8*
	35	Square	B-18310-01-L-8*
	40	Square	B-18310-02-L-8*
	45	Square	B-18310-03-L-8*

B-1831 panic lock with top-locking and CH-RC hole-type, for 2-leaf doors

Faceplate Material/Finish	Backset [mm]	Faceplate Shape	Faceplate 24 x 3 x 270 mm CH-RC hole-type Non-handed
Satin stainless steel	35	Square	B-18310-06-L-8*
	40	Square	B-18310-07-L-8*
	45	Square	B-18310-08-L-8*

*** Make 1 out of 4 – and 4 out of 1**

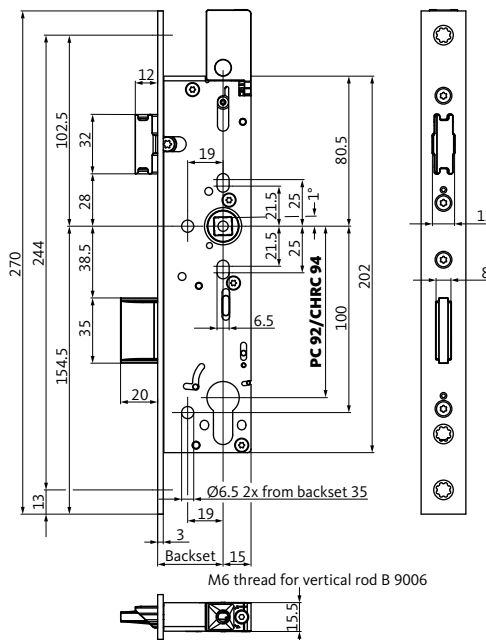
- reversible latch (non-handed)
- switchable panic side (inward/outward)

Additional options (available on request)

Faceplate		Follower [mm]	Backset [mm]	Special version	Suitable shoot-bolt locks
Material/Finish	Special faceplate				
Stainless steel, gold-plated matt	U-faceplate Adapter faceplate	–	50 55 60 65	Lock monitoring (faceplate 320 mm) Deadbolt with anti-saw protection	B-1890

B-1832 panic lock

for 1-leaf doors with top-locking



Functional description

Panic function C

Panic lock for single-leaf doors with panic function on the interior lever handle. Opening the door is possible at any time. The exterior lever handle is always set to idle. The door can only be opened by operating the key and the lever handle. When the key is removed, the exterior lever handle reverts automatically to idle.

For a detailed functional description see page 495.

Product description

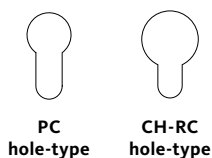
B-1832 panic lock with top-locking

- Approved to EN 12209 for fire rated doors, EN 179 (emergency exits) and EN 1125 (panic doors)
- Reversible latch
- Switchable panic side outward/inward
- Deadbolt, 1-turn (20 mm)
- Satin stainless steel faceplate
- 9 mm split follower
- 92 mm (PC), 94 mm (CH-RC) hole distance
- Optionally with monitoring contacts

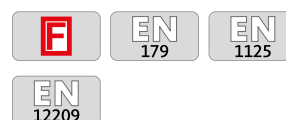
Classification code

EN 179										
3	7	7	B	1	3	4	2	A	B/D	
EN 1125										
3	7	7	B	1	3	2	1/2	A/B	B	
EN 12209										
3	S	3	1	0	C	4	B	A	2	0

Variants



Standards



B-1832 panic lock with top-locking for 1-leaf doors

Faceplate Material/Finish	Backset [mm]	Faceplate Shape	Faceplate 24 x 3 x 270 mm Non-handed
Satin stainless steel	30	Square	B-18320-00-L-8*
	35	Square	B-18320-01-L-8*
	40	Square	B-18320-02-L-8*
	45	Square	B-18320-03-L-8*

*** Make 1 out of 4 – and 4 out of 1**

- reversible latch (non-handed)
- switchable panic side (inward/outward)

Additional options (available on request)

Faceplate		Follower [mm]	Backset [mm]	Special version	Suitable strikers
Material/Finish	Special faceplate				
Stainless steel, gold-plated matt	U-faceplate Adapter faceplate	–	50 55 60 65	Lock monitoring (faceplate 320 mm) Deadbolt with anti-saw protection CH-RC hole-type	B-90000-04-0-8 B-90000-26-0-8

B-1833 panic lock with top-locking for 2-leaf doors

Faceplate Material/Finish	Backset [mm]	Faceplate Shape	Faceplate 24 x 3 x 270 mm Non-handed
Satin stainless steel	30	Square	B-18330-00-L-8*
	35	Square	B-18330-01-L-8*
	40	Square	B-18330-02-L-8*
	45	Square	B-18330-03-L-8*

*** Make 1 out of 4 – and 4 out of 1**

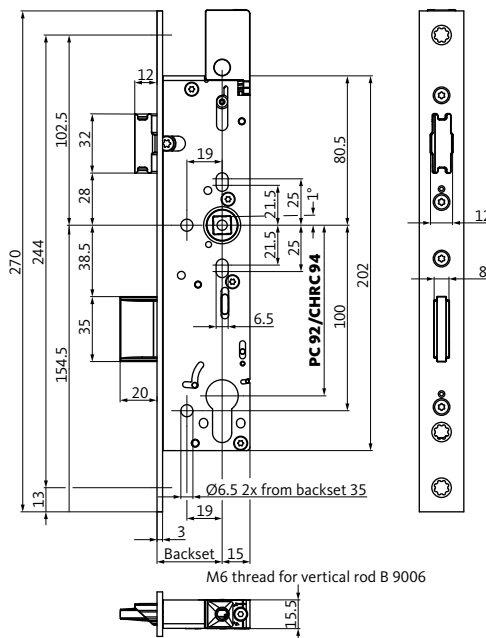
- reversible latch (non-handed)
- switchable panic side (inward/outward)

Additional options (available on request)

Faceplate		Follower [mm]	Backset [mm]	Special version	Suitable shoot-bolt locks
Material/Finish	Special faceplate				
Stainless steel, gold-plated matt	U-faceplate Adapter faceplate	–	50 55 60 65	Lock monitoring (faceplate 320 mm) Deadbolt with anti-saw protection CH-RC hole-type	B-1890

B-1834 panic lock

for 1-leaf doors with top-locking



Functional description

Panic function D

Panic lock for single-leaf doors with panic function on the interior lever handle. Following actuation of the panic-function from the inside, the exterior lever handle is coupled again. Passage from outside to inside.

For a detailed functional description see page 496.

Product description

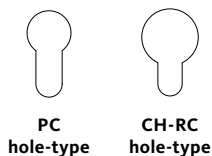
B-1834 panic lock with top-locking

- Approved to EN 12209 for fire rated doors, EN 179 (emergency exits) and EN 1125 (panic doors)
- Reversible latch
- Switchable panic side outward/inward
- Deadbolt, 1-turn (20 mm)
- Satin stainless steel faceplate
- 9 mm split follower
- 92 mm (PC), 94 mm (CH-RC) hole distance
- Optionally with monitoring contacts

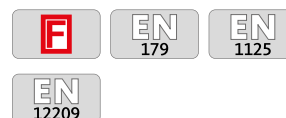
Classification code

EN 179										
3	7	7	B	1	3	4	2	A	B/D	
EN 1125										
3	7	7	B	1	3	2	1/2	A/B	B	
EN 12209										
3	S	3	1	0	C	4	B	A	2	0

Variants



Standards



B-1834 panic lock with top-locking for 1-leaf doors

Faceplate Material/Finish	Backset [mm]	Faceplate Shape	Faceplate 24 x 3 x 270 mm Non-handed
Satin stainless steel	30	Square	B-18340-00-L-8*
	35	Square	B-18340-01-L-8*
	40	Square	B-18340-02-L-8*
	45	Square	B-18340-03-L-8*

*** Make 1 out of 4 – and 4 out of 1**

- reversible latch (non-handed)
- switchable panic side (inward/outward)

Additional options (available on request)

Faceplate		Follower [mm]	Backset [mm]	Special version	Suitable strikers
Material/Finish	Special faceplate				
Stainless steel, gold-plated matt	U-faceplate Adapter faceplate	–	50 55 60 65	Lock monitoring (faceplate 320 mm) Deadbolt with anti-saw protection CH-RC hole-type	B-90000-04-0-8 B-90000-26-0-8

B-1835 panic lock with top-locking for 2-leaf doors

Faceplate Material/Finish	Backset [mm]	Faceplate Shape	Faceplate 24 x 3 x 270 mm Non-handed
Satin stainless steel	30	Square	B-18350-00-L-8*
	35	Square	B-18350-01-L-8*
	40	Square	B-18350-02-L-8*
	45	Square	B-18350-03-L-8*

*** Make 1 out of 4 – and 4 out of 1**

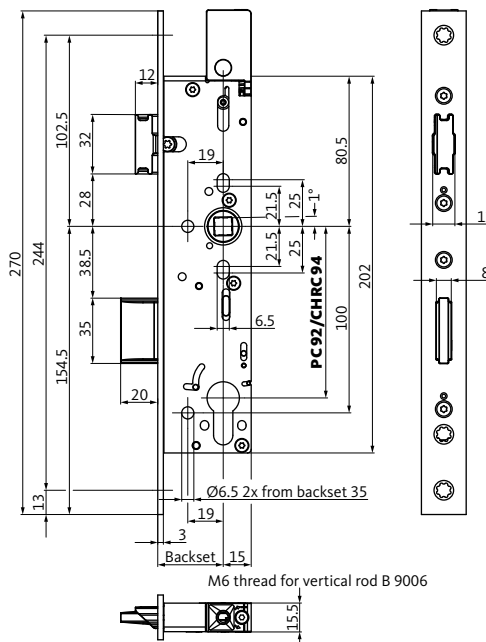
- reversible latch (non-handed)
- switchable panic side (inward/outward)

Additional options (available on request)

Faceplate		Follower [mm]	Backset [mm]	Special version	Suitable shoot-bolt locks
Material/Finish	Special faceplate				
Stainless steel, gold-plated matt	U-faceplate Adapter faceplate	–	50 55 60 65	Lock monitoring (faceplate 320 mm) Deadbolt with anti-saw protection CH-RC hole-type	B-1890

B-1836 panic lock

for 1-leaf doors with top-locking



Functional description

Panic function E

Panic lock for single-leaf doors with panic function on the interior lever handle. Opening the door is possible at any time. Mechanical access from outside using the key (via the latch lever).

For a detailed functional description see page 497.

Product description

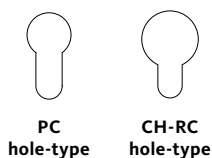
B-1836 panic lock with top-locking

- Approved to EN 12209 for fire rated doors, EN 179 (emergency exits) and EN 1125 (panic doors)
- Reversible latch
- Deadbolt, 1-turn (20 mm)
- Satin stainless steel faceplate
- 9 mm follower
- With latch lever
- 92 mm (PC), 94 mm (CH-RC) hole distance
- Optionally with monitoring contacts

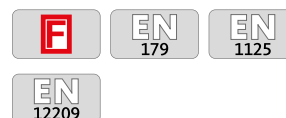
Classification code

EN 179										
3	7	7	B	1	3	4	2	A	B/D	
EN 1125										
3	7	7	B	1	3	2	1/2	A/B	B	
EN 12209										
3	S	3	1	0	C	4	B	A	2	0

Variants



Standards



B-1836 panic lock with top-locking for 1-leaf doors

Faceplate Material/Finish	Backset [mm]	Faceplate Shape	Faceplate 24 x 3 x 270 mm Non-handed
Satin stainless steel	30	Square	B-18360-00-U-8
	35	Square	B-18360-02-U-8
	40	Square	B-18360-04-U-8
	45	Square	B-18360-06-U-8

B-1836 panic lock with top-locking and CH-RC hole-type, for 1-leaf doors

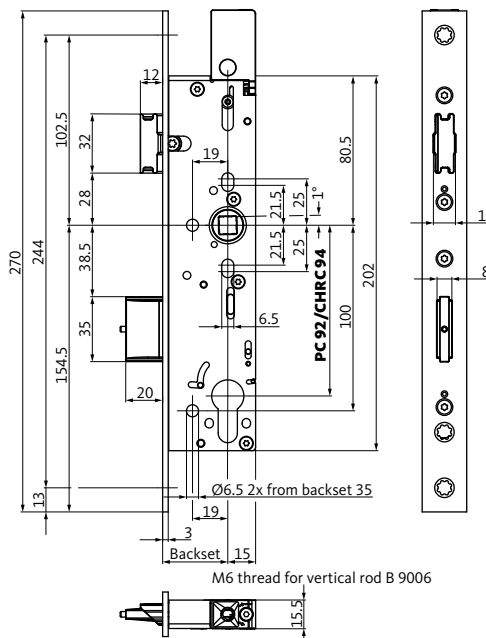
Faceplate Material/Finish	Backset [mm]	Faceplate Shape	Faceplate 24 x 3 x 270 mm CH-RC hole-type Non-handed
Satin stainless steel	30	Square	B-18360-08-U-8
	35	Square	B-18360-10-U-8
	40	Square	B-18360-12-U-8
	45	Square	B-18360-14-U-8

Additional options (available on request)

Faceplate		Follower [mm]	Backset [mm]	Special version	Suitable strikers
Material/Finish	Special faceplate				
Stainless steel, gold-plated matt	U-faceplate Adapter faceplate	-	50 55 60 65	Lock monitoring (faceplate 320 mm) Deadbolt with anti-saw protection Key-controlled latch holdback	B-90000-04-0-8 B-90000-26-0-8

B-1837 panic lock

for 2-leaf doors with top-locking



Functional description

Panic function E

Panic lock for double-leaf doors with panic function on the interior lever handle. Opening the door is possible at any time. Mechanical access from outside using the key (via the latch lever).

For a detailed functional description see page 497.

Product description

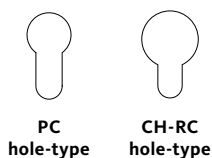
B-1837 panic lock with top-locking

- Approved to EN 12209 for fire rated doors, EN 179 (emergency exits) and EN 1125 (panic doors)
- Reversible latch
- Deadbolt, 1-turn (20 mm)
- Satin stainless steel faceplate
- 9 mm follower
- With latch lever
- 92 mm (PC), 94 mm (CH-RC) hole distance
- Optionally with monitoring contacts

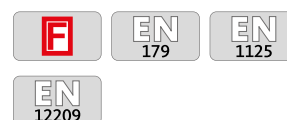
Classification code

EN 179										
3	7	7	B	1	3	4	2	A	A	
EN 1125										
3	7	7	B	1	3	2	1/2	A/B	A	
EN 12209										
3	S	3	1	0	C	0	B	A	2	0

Variants



Standards



B-1837 panic lock with top-locking for 2-leaf doors

Faceplate Material/Finish	Backset [mm]	Faceplate Shape	Faceplate 24 x 3 x 270 mm Non-handed
Satin stainless steel	30	Square	B-18370-00-U-8
	35	Square	B-18370-02-U-8
	40	Square	B-18370-04-U-8
	45	Square	B-18370-06-U-8

B-1837 panic lock with top-locking and CH-RC hole-type, for 2-leaf doors

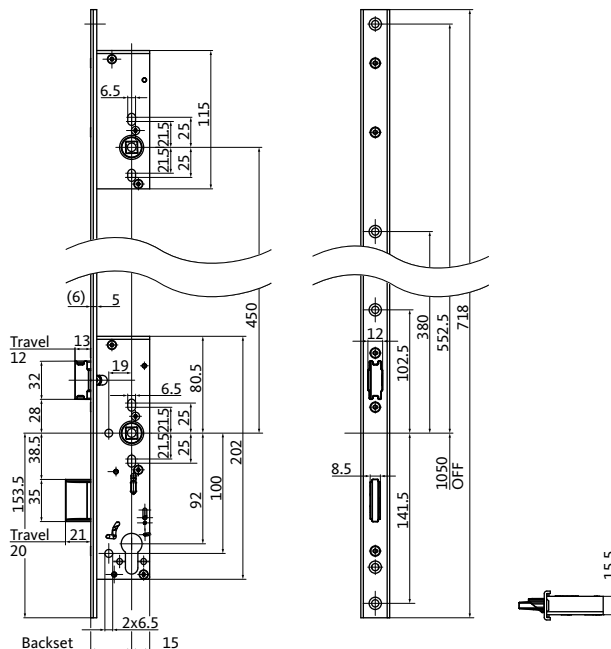
Faceplate Material/Finish	Backset [mm]	Faceplate Shape	Faceplate 24 x 3 x 270 mm CH-RC hole-type Non-handed
Satin stainless steel	30	Square	B-18370-08-U-8
	35	Square	B-18370-10-U-8
	40	Square	B-18370-12-U-8
	45	Square	B-18370-14-U-8

Additional options (available on request)

Faceplate		Follower [mm]	Backset [mm]	Special version	Suitable shoot-bolt locks
Material/Finish	Special faceplate				
Stainless steel, gold-plated matt	U-faceplate Adapter faceplate	-	50 55 60 65	Lock monitoring (faceplate 320 mm) Deadbolt with anti-saw protection Key-controlled latch holdback	B-1890

B-1840 panic lock

for 1-leaf doors



Functional description

Panic function B

Panic lock for single-leaf doors with panic function on the higher-mounted interior lever handle (1,500 mm). Opening the door is possible at any time. The exterior lever handle can be engaged or disengaged mechanically using the key.

For a detailed functional description see page 494.

Product description

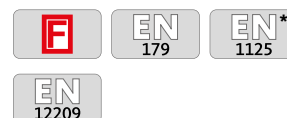
B-1840 panic lock with panic function on the higher-mounted interior lever handle

- Approved to EN 12209 for fire rated doors, EN 179 (emergency exits), EN 1125 (panic doors)*
- Reversible latch
- Deadbolt, 1-turn (20 mm)
- Satin stainless steel faceplate
- 9 mm follower
- PC 92 mm hole distance
- Optionally with monitoring contacts

Classification code

EN 179										
3	7	7	B	1	3	4	2	A	B/D	
EN 1125										
3	7	7	B	1	3	2	1/2	A/B	B	
EN 12209										
3	S	3	1	0	C	4	B	A	2	0

Standards



*Only suitable with panic release at lever handle height of 1,050 mm and 1,500 mm

B-1840 panic lock for 1-leaf doors with lever handle height at 1,500 mm (panic release)

Faceplate Material/Finish	Backset [mm]	Faceplate Shape	U-faceplate 24 x 5 x 2 x 718 mm Non-handed	U-faceplate 24 x 6 x 2 x 718 mm Non-handed
Satin stainless steel	34	Square	B-18400-03-U-8	B-18400-00-U-8
	39	Square	B-18400-04-U-8	B-18400-01-U-8
	44	Square	B-18400-05-U-8	B-18400-02-U-8

B-1840 panic lock for 1-leaf doors with lever handle height at 1,500 mm (panic release)

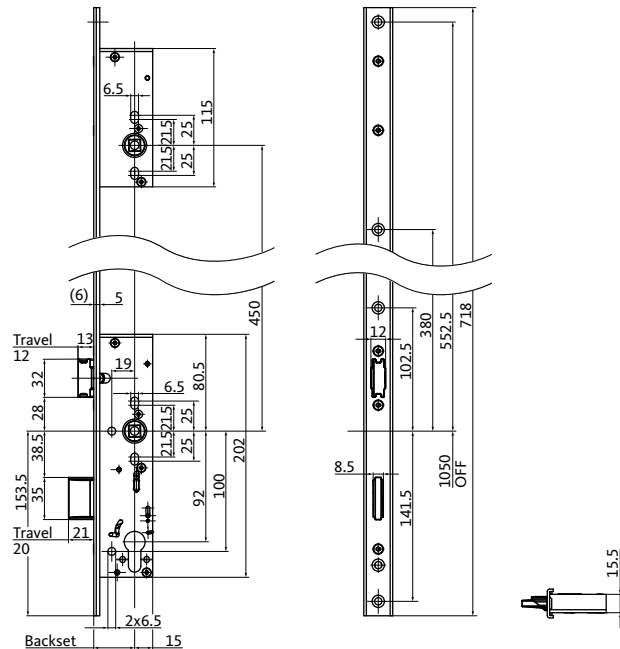
Faceplate Material/Finish	Backset [mm]	Faceplate Shape	Faceplate 24 x 3 x 720 mm Non-handed
Satin stainless steel	35	Square	B-18400-15-U-8
	45	Square	B-18400-14-U-8
	65	Square	B-18400-06-U-8

B-1840 panic lock for 1-leaf doors with lever handle height at 1,050 mm and 1,500 mm (panic release)*

Faceplate Material/Finish	Backset [mm]	Faceplate Shape	U-faceplate 24 x 6 x 2 x 718 mm Non-handed
Satin stainless steel	34	Square	B-18400-17-U-8

B-1841 panic lock

for 2-leaf doors



Functional description

Panic function B

Panic lock for double-leaf doors with panic function on the higher-mounted interior lever handle (1,500 mm). Opening the door is possible at any time. The exterior lever handle can be engaged or disengaged mechanically using the key.

For a detailed functional description see page 494.

Product description

B-1841 panic lock with panic function on the higher-mounted interior lever handle

- Approved to EN 12209 for fire rated doors, EN 179 (emergency exits)
- Reversible latch
- Deadbolt, 1-turn (20 mm)
- Satin stainless steel faceplate
- 9 mm follower
- PC 92 mm hole distance
- Optionally with monitoring contacts

Classification code

EN 179

3	7	7	B	1	3	4	2	A	A
---	---	---	---	---	---	---	---	---	---

EN 12209

3	S	3	1	0	C	0	B	A	2	0
---	---	---	---	---	---	---	---	---	---	---

Standards



B-1841 panic lock for 2-leaf doors

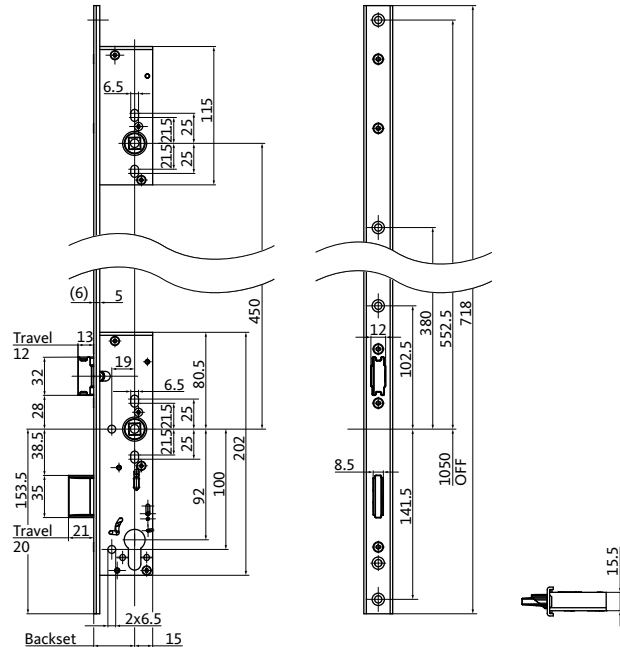
Faceplate Material/Finish	Backset [mm]	Faceplate Shape	U-faceplate 24 x 5 x 2 x 718 mm Non-handed	U-faceplate 24 x 6 x 2 x 718 mm Non-handed
Satin stainless steel	35	Square	B-18410-03-U-8	B-18410-00-U-8
	40	Square	B-18410-04-U-8	B-18410-01-U-8
	45	Square	B-18410-05-U-8	B-18410-02-U-8

B-1841 panic lock for 2-leaf doors

Faceplate Material/Finish	Backset [mm]	Faceplate Shape	Faceplate 24 x 3 x 720 mm Non-handed
Satin stainless steel	45	Square	B-18410-14-U-8
	65	Square	B-18410-06-U-8

B-1842 panic lock

for 1-leaf doors



Functional description

Panic function C

Panic lock for single-leaf doors with panic function on the higher-mounted interior lever handle (1,500 mm). Opening the door is possible at any time. The exterior lever handle is always set to idle. The door can only be opened by operating the key and the lever handle. When the key is removed, the exterior lever handle reverts automatically to idle.

For a detailed functional description see page 495.

Product description

B-1842 panic lock with panic function on the higher-mounted interior lever handle

- Approved to EN 12209 for fire rated doors, EN 179 (emergency exits)
- Reversible latch
- Deadbolt, 1-turn (20 mm)
- Satin stainless steel faceplate
- 9 mm follower
- PC 92 mm hole distance
- Optionally with monitoring contacts

Classification code

EN 179

3	7	7	B	1	3	4	2	A	B/D
---	---	---	---	---	---	---	---	---	-----

EN 12209

3	S	3	1	0	C	4	B	A	2	0
---	---	---	---	---	---	---	---	---	---	---

Standards

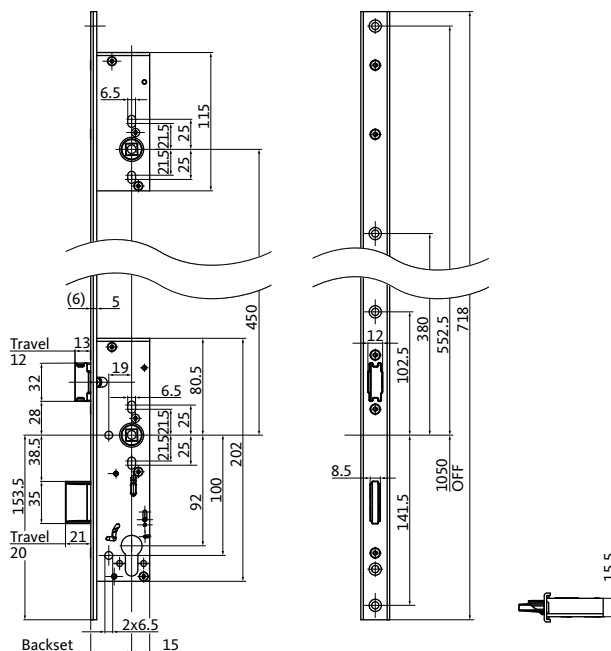


B-1842 panic lock for 1-leaf doors

Faceplate Material/Finish	Backset [mm]	Faceplate Shape	U-faceplate 24 x 5 x 2 x 718 mm Non-handed	U-faceplate 24 x 6 x 2 x 718 mm Non-handed
Satin stainless steel	35	Square	B-18420-03-U-8	B-18420-00-U-8
	40	Square	B-18420-04-U-8	B-18420-01-U-8
	45	Square	B-18420-05-U-8	B-18420-02-U-8

B-1843 panic lock

for 2-leaf doors



Functional description

Panic function C

Panic lock for double-leaf doors with panic function on the higher-mounted interior lever handle (1,500 mm). Opening the door is possible at any time. The exterior lever handle is always set to idle. The door can only be opened by operating the key and the lever handle. When the key is removed, the exterior lever handle reverts automatically to idle.

For a detailed functional description see page 495.

Product description

B-1843 panic lock with panic function on the higher-mounted interior lever handle

- Approved to EN 12209 for fire rated doors, EN 179 (emergency exits)
- Reversible latch
- Deadbolt, 1-turn (20 mm)
- Satin stainless steel faceplate
- 9 mm follower
- PC 92 mm hole distance
- Optionally with monitoring contacts

Classification code

EN 179

3	7	7	B	1	3	4	2	A	A
---	---	---	---	---	---	---	---	---	---

EN 12209

3	S	3	1	0	C	0	B	A	2	0
---	---	---	---	---	---	---	---	---	---	---

Standards

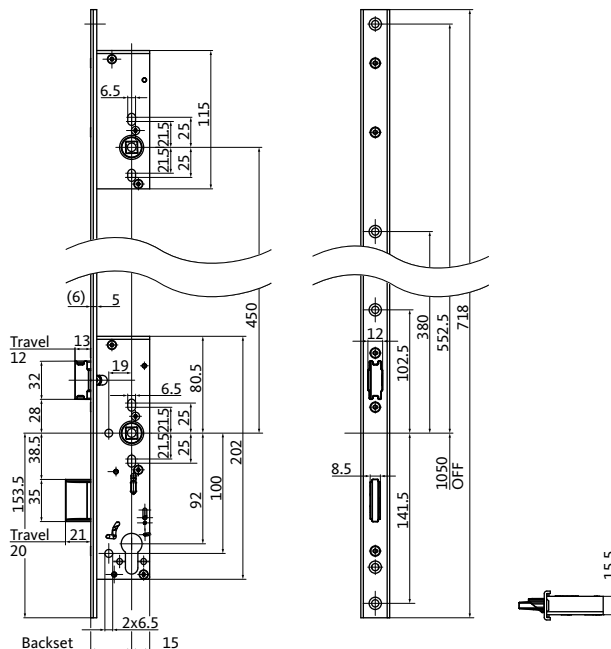


B-1843 panic lock for 2-leaf doors

Faceplate Material/Finish	Backset [mm]	Faceplate Shape	U-faceplate 24 x 5 x 2 x 718 mm Non-handed	U-faceplate 24 x 6 x 2 x 718 mm Non-handed
Satin stainless steel	35	Square	B-18430-03-U-8	B-18430-00-U-8
	40	Square	B-18430-04-U-8	B-18430-01-U-8
	45	Square	B-18430-05-U-8	B-18430-02-U-8

B-1844 panic lock

for 1-leaf doors



Functional description

Panic function D

Panic lock for single-leaf doors with panic function on the higher-mounted interior lever handle (1,500 mm). Following actuation of the panic-function from the inside, the exterior lever handle is coupled again. Passage from outside to inside.

For a detailed functional description see page 496.

Product description

B-1844 panic lock with panic function on the higher-mounted interior lever handle

- Approved to EN 12209 for fire rated doors, EN 179 (emergency exits)
- Reversible latch
- Deadbolt, 1-turn (20 mm)
- Satin stainless steel faceplate
- 9 mm follower
- PC 92 mm hole distance
- Optionally with monitoring contacts

Classification code

EN 179

3	7	7	B	1	3	4	2	A	B/D
---	---	---	---	---	---	---	---	---	-----

EN 12209

3	S	3	1	0	C	4	B	A	2	0
---	---	---	---	---	---	---	---	---	---	---

Standards

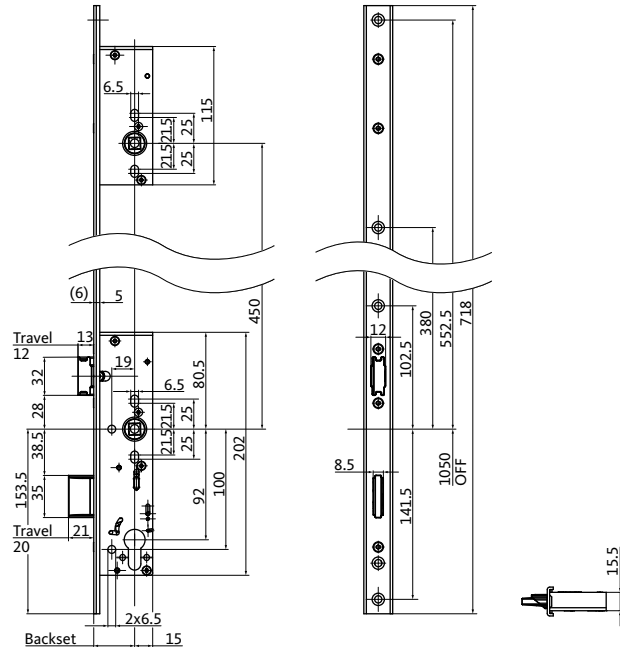


B-1844 panic lock for 1-leaf doors

Faceplate Material/Finish	Backset [mm]	Faceplate Shape	U-faceplate 24 x 5 x 2 x 718 mm Non-handed	U-faceplate 24 x 6 x 2 x 718 mm Non-handed
Satin stainless steel	35	Square	B-18440-03-U-8	B-18440-00-U-8
	40	Square	B-18440-04-U-8	B-18440-01-U-8
	45	Square	B-18440-05-U-8	B-18440-02-U-8

B-1845 panic lock

for 2-leaf doors



Functional description

Panic function D

Panic lock for double-leaf doors with panic function on the higher-mounted interior lever handle (1,500 mm). Following actuation of the panic-function from the inside, the exterior lever handle is coupled again. Passage from outside to inside.

For a detailed functional description see page 496.

Product description

B-1845 panic lock with panic function on the higher-mounted interior lever handle

- Approved to EN 12209 for fire rated doors, EN 179 (emergency exits)
- Reversible latch
- Deadbolt, 1-turn (20 mm)
- Satin stainless steel faceplate
- 9 mm follower
- PC 92 mm hole distance
- Optionally with monitoring contacts

Classification code

EN 179

3	7	7	B	1	3	4	2	A	A
---	---	---	---	---	---	---	---	---	---

EN 12209

3	S	3	1	0	C	0	B	A	2	0
---	---	---	---	---	---	---	---	---	---	---

Standards

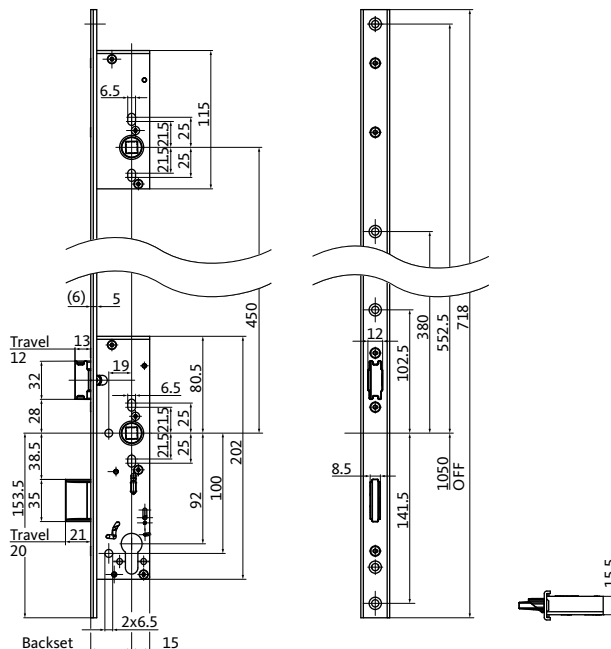


B-1845 panic lock for 2-leaf doors

Faceplate Material/Finish	Backset [mm]	Faceplate Shape	U-faceplate 24 x 5 x 2 x 718 mm Non-handed	U-faceplate 24 x 6 x 2 x 718 mm Non-handed
Satin stainless steel	35	Square	B-18450-03-U-8	B-18450-00-U-8
	40	Square	B-18450-04-U-8	B-18450-01-U-8
	45	Square	B-18450-05-U-8	B-18450-02-U-8

B-1846 panic lock

for 1-leaf doors



Functional description

Panic function E

Panic lock for single-leaf doors with panic function on the higher-mounted interior lever handle (1,500 mm). Opening the door is possible at any time. Mechanical access from outside using the key (via the latch lever).

For a detailed functional description see page 497.

Product description

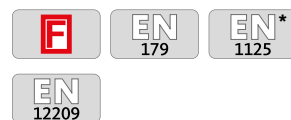
B-1846 panic lock with panic function on the higher-mounted interior lever handle

- Approved to EN 12209 for fire rated doors, EN 179 (emergency exits), EN 1125 (panic doors)*
- Reversible latch
- Deadbolt, 1-turn (20 mm)
- Satin stainless steel faceplate
- 9 mm follower
- With latch lever
- PC 92 mm hole distance
- Optionally with monitoring contacts

Classification code

EN 179										
3	7	7	B	1	3	4	2	A	B/D	
EN 1125										
3	7	7	B	1	3	2	1/2	A/B	B	
EN 12209										
3	S	3	1	0	C	4	B	A	2	0

Standards



*Only suitable with panic release at lever handle height of 1,050 mm and 1,500 mm

B-1846 panic lock for 1-leaf doors with lever handle height at 1,500 mm (panic release)

Faceplate Material/Finish	Backset [mm]	Faceplate Shape	U-faceplate 24 x 5 x 2 x 718 mm Non-handed	U-faceplate 24 x 6 x 2 x 718 mm Non-handed
Satin stainless steel	34	Square	B-18460-03-U-8	B-18460-00-U-8
	39	Square	B-18460-04-U-8	B-18460-01-U-8
	44	Square	B-18460-05-U-8	B-18460-02-U-8

B-1846 panic lock for 1-leaf doors with lever handle height at 1,500 mm (panic release)

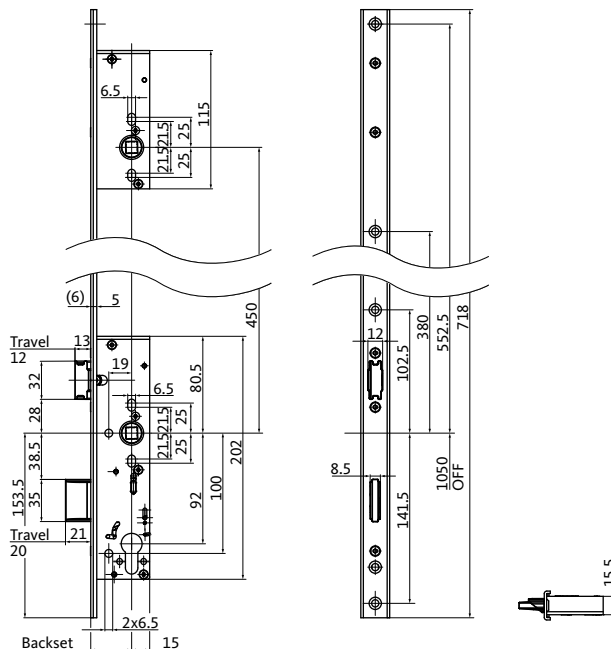
Faceplate Material/Finish	Backset [mm]	Faceplate Shape	Faceplate 24 x 3 x 720 mm Non-handed
Satin stainless steel	35	Square	B-18460-15-U-8
	45	Square	B-18460-16-U-8
	55	Square	B-18460-17-U-8
	65	Square	B-18460-06-U-8

B-1846 panic lock for 1-leaf doors with lever handle height at 1,050 mm and 1,500 mm (panic release)*

Faceplate Material/Finish	Backset [mm]	Faceplate Shape	U-faceplate 24 x 6 x 2 x 718 mm Non-handed
Satin stainless steel	34	Square	B-18460-19-U-8

B-1847 panic lock

for 2-leaf doors



Functional description

Panic function E

Panic lock for double-leaf doors with panic function on the higher-mounted interior lever handle (1,500 mm). Opening the door is possible at any time. Mechanical access from outside using the key (via the latch lever).

For a detailed functional description see page 497.

Product description

B-1847 panic lock with panic function on the higher-mounted interior lever handle

- Approved to EN 12209 for fire rated doors, EN 179 (emergency exits)
- Reversible latch
- Deadbolt, 1-turn (20 mm)
- Satin stainless steel faceplate
- 9 mm follower
- With latch lever
- PC 92 mm hole distance
- Optionally with monitoring contacts

Classification code

EN 179										
3	7	7	B	1	3	4	2	A	A	
EN 12209										
3	S	3	1	0	C	0	B	A	2	0

Standards



B-1847 panic lock for 2-leaf doors

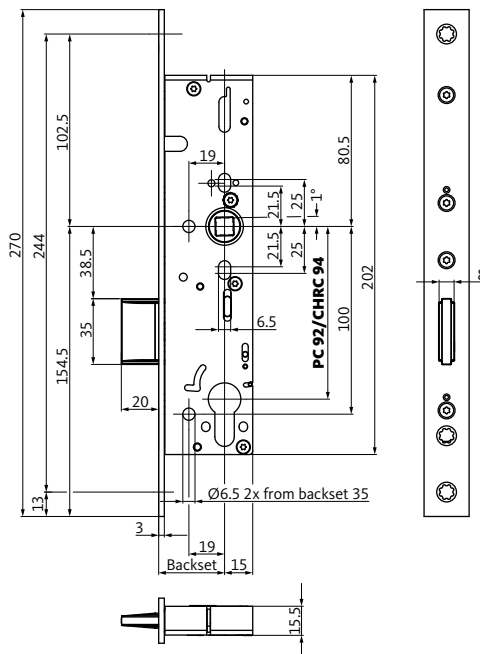
Faceplate Material/Finish	Backset [mm]	Faceplate Shape	U-faceplate 24 x 5 x 2 x 718 mm Non-handed	U-faceplate 24 x 6 x 2 x 718 mm Non-handed
Satin stainless steel	34	Square	B-18470-03-U-8	B-18470-00-U-8
	39	Square	B-18470-04-U-8	B-18470-01-U-8
	44	Square	B-18470-05-U-8	B-18470-02-U-8

B-1847 panic lock for 2-leaf doors

Faceplate Material/Finish	Backset [mm]	Faceplate Shape	Faceplate 24 x 3 x 720 mm Non-handed
Satin stainless steel	45	Square	B-18470-14-U-8
	65	Square	B-18470-06-U-8

B-1848 panic deadbolt lock

for 1-leaf doors



Functional description

Panic function P

The panic deadbolt lock for single-leaf doors with panic function on the interior lever handle. Opening the door is possible at any time. Mechanical access from outside using the key which retracts the deadbolt.

For a detailed functional description see page 498.

Product description

B-1848 panic deadbolt lock

- Approved to EN 179 (emergency exits)
- Deadbolt, 1-turn (20 mm)
- Satin stainless steel faceplate
- 9 mm follower
- 92 mm (PC), 94 mm (CH-RC) hole distance
- Optionally with monitoring contacts

Classification code

EN 179

3	7	7	0	1	3	4	2	A	B/D
---	---	---	---	---	---	---	---	---	-----

Variants



PC hole-type



CH-RC hole-type

Standards



B-1848 panic deadbolt lock for 1-leaf doors

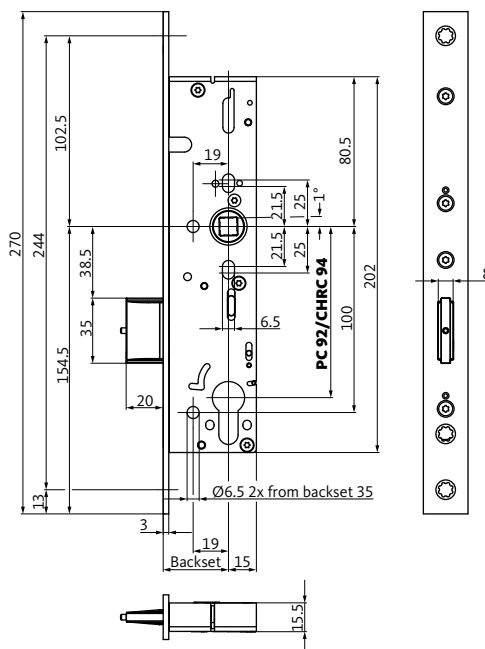
Faceplate Material/Finish	Backset [mm]	Faceplate Shape	Faceplate 24 x 3 x 270 mm Non-handed
Satin stainless steel	30	Square	B-18480-01-0-8
	35	Square	B-18480-02-0-8
	40	Square	B-18480-03-0-8
	45	Square	B-18480-04-0-8

Additional options (available on request)

Faceplate		Follower [mm]	Backset [mm]	Special version	Suitable strikers
Material/Finish	Special faceplate				
Stainless steel, gold-plated matt	U-faceplate Adapter faceplate	-	50 55 60 65	Lock monitoring Deadbolt with anti-saw protection CH-RC hole-type	B-90000-02-0-8 B-90000-25-0-8

B-1849 panic deadbolt lock

for 2-leaf doors



Functional description

Panic function P

The panic deadbolt lock for double-leaf doors with panic function on the interior lever handle. Opening the door is possible at any time. Mechanical access from outside using the key which retracts the deadbolt.

For a detailed functional description see page 498.

Product description

B-1849 panic deadbolt lock

- Approved to EN 179 (emergency exits)
- Deadbolt, 1-turn (20 mm)
- Satin stainless steel faceplate
- 9 mm follower
- 92 mm (PC), 94 mm (CH-RC) hole distance
- Optionally with monitoring contacts

Classification code

EN 179

3	7	7	0	1	3	4	2	A	A
---	---	---	---	---	---	---	---	---	---

Variants



PC hole-type



CH-RC hole-type

Standards



B-1849 panic deadbolt lock for 2-leaf doors

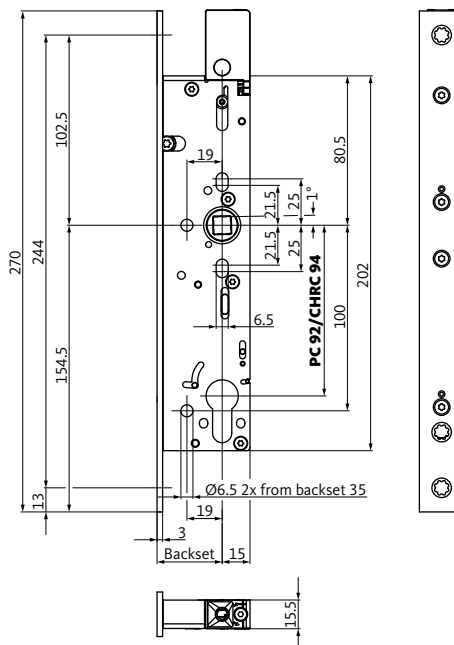
Faceplate Material/Finish	Backset [mm]	Faceplate Shape	Faceplate 24 x 3 x 270 mm	
			Non-handed	5 mm deadbolt projection Non-handed
Satin stainless steel	30	Square	B-18490-05-0-8	B-18490-09-0-8
	35	Square	B-18490-06-0-8	B-18490-10-0-8
	40	Square	B-18490-07-0-8	B-18490-11-0-8
	45	Square	B-18490-08-0-8	B-18490-12-0-8

Additional options (available on request)

Faceplate		Follower [mm]	Backset [mm]	Special version	Suitable shoot-bolt locks
Material/Finish	Special faceplate				
Stainless steel, gold-plated matt	U-faceplate Adapter faceplate	–	50 55 60 65	Lock monitoring Deadbolt with anti-saw protection CH-RC hole-type	B-1891

B-1866 panic lock

with top-locking



Functional description

Standard function

The panic lock for 1-leaf doors with top-locking only locks upwards. Mechanical access from outside or inside using the key (via the latch lever). Opening from the inside is possible at any time.

Product description

B-1866 panic lock

- Satin stainless steel faceplate
- 9 mm follower
- With latch lever
- PC 92 mm hole distance

Variants



PC
hole-type



CH-RC
hole-type

B-1866 panic lock with top-locking

Faceplate Material/Finish	Backset [mm]	Faceplate Shape	Faceplate 24 x 3 x 270 mm Non-handed
Satin stainless steel	35	Square	B-18660-01-0-8
	40	Square	B-18660-02-0-8
	45	Square	B-18660-03-0-8

B-1866 panic lock with top-locking for 1-leaf doors

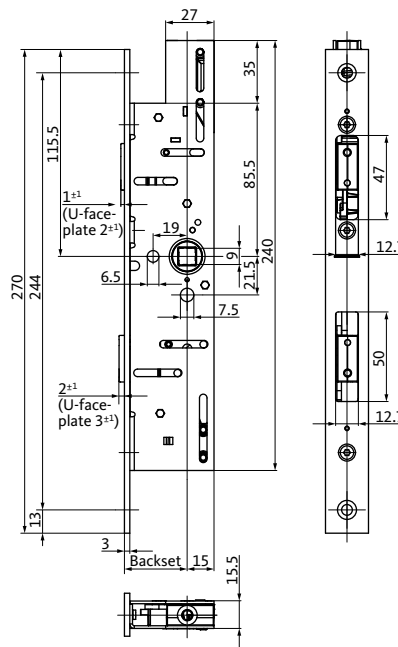
Faceplate Material/Finish	Backset [mm]	Faceplate Shape	Faceplate 24 x 3 x 270 mm CH-RC hole-type Non-handed
Satin stainless steel	35	Square	B-18660-07-0-8
	40	Square	B-18660-08-0-8
	45	Square	B-18660-09-0-8

Additional options (available on request)

Faceplate		Follower [mm]	Backset [mm]	Special version
Material/Finish	Special faceplate			
Stainless steel, gold-plated matt	U-faceplate	-	50 55 60 65	-

B-1890 shoot-bolt lock

with automatic locking



Functional description

When the passive leaf is closed, automatic locking of vertical rods at the top and bottom is triggered by passive-leaf control lock B 1895. When unlocking, the vertical rods are retracted into the passive leaf by operating the vertical lever or panic push bar which simultaneously pushes the deadbolt and latch back into the lock of the active leaf.

Product description

B-1890 shoot-bolt lock with automatic locking

- Approved to EN 179 (emergency exits), EN 1125 (panic doors)
- Satin stainless steel faceplate
- 9 mm follower

Classification code

EN 179

3	7	7	B	1	3	4	2	A	C
---	---	---	---	---	---	---	---	---	---

EN 1125

3	7	7	B	1	3	2	1/2	A/B	C
---	---	---	---	---	---	---	-----	-----	---

Standards



B-1890 shoot-bolt lock

Faceplate Material/Finish	Backset [mm]	Faceplate Shape	Faceplate 24 x 3 x 270 mm Non-handed	U-faceplate 24 x 6 x 2 x 268 mm Non-handed
Satin stainless steel	30	Square	B-18900-00-0-8	B-18900-10-0-8
	35	Square	B-18900-01-0-8	B-18900-11-0-8
	40	Square	B-18900-02-0-8	B-18900-12-0-8
	45	Square	B-18900-03-0-8	B-18900-13-0-8
	50	Square	B-18900-04-0-8	B-18900-14-0-8
	54	Square	B-18900-05-0-8	B-18900-15-0-8
	60	Square	B-18900-06-0-8	B-18900-16-0-8
	65	Square	B-18900-07-0-8	B-18900-17-0-8
	70	Square	B-18900-08-0-8	B-18900-18-0-8
80	Square	B-18900-09-0-8	B-18900-19-0-8	

B-1890 shoot-bolt lock with latchbolt and deadbolt monitoring

Faceplate Material/Finish	Backset [mm]	Faceplate Shape	Faceplate 24 x 3 x 270 mm Non-handed	U-faceplate 24 x 6 x 2 x 268 mm Non-handed
Satin stainless steel	35	Square	B-18900-51-0-8	B-18900-C5-0-8
	40	Square	B-18900-66-0-8	-
	45	Square	B-18900-60-0-8	-
	50	Square	B-18900-A1-0-8	-
	54	Square	B-18900-A3-0-8	-
	60	Square	B-18900-65-0-8	-
	65	Square	B-18900-68-0-8	-

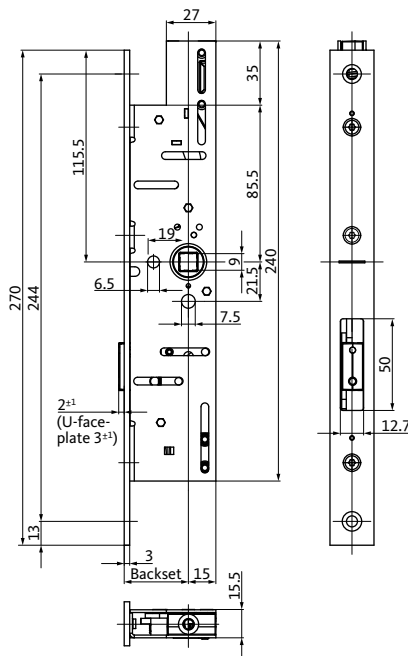
B 5490 0300 connecting cable must be ordered separately.

Additional options (available on request)

Faceplate		Follower [mm]	Backset [mm]	Special versions	Suitable locks	
Material/Finish	Special faceplate				B-1821 B-1823 B-1825 B-1827	B-1831 B-1833 B-1835 B-1837
Stainless steel, gold-plated matt	Adapter faceplate	-	-	-		

Shoot-bolt lock B-1891

with automatic and manual locking



Functional description

When the passive leaf is closed, automatic locking of the spring-loaded vertical rods at the top and bottom is triggered by passive-leaf control lock B 1895 (with manual locking, the vertical rods must be extended manually by the vertical lever).

When unlocking, the vertical rods are retracted manually into the passive leaf by operating the vertical lever which pushes the deadbolt into the lock of the active leaf.

Product description

Shoot-bolt lock B-1891 with automatic or manual locking

- Approved to EN 179 (emergency exits)
- Satin stainless steel faceplate
- 9 mm follower

Classification code

EN 179

3	7	7	B	1	3	4	2	A	C
---	---	---	---	---	---	---	---	---	---

Standards



[1] Lock B-1891 only with automatic locking

B-1891 shoot-bolt lock with automatic locking

Faceplate Material/Finish	Backset [mm]	Faceplate Shape	Faceplate 24 x 3 x 270 mm Non-handed
Satin stainless steel	30	Square	B-18910-00-0-8
	35	Square	B-18910-01-0-8
	40	Square	B-18910-02-0-8
	45	Square	B-18910-03-0-8

B-1891 shoot-bolt lock with manual locking

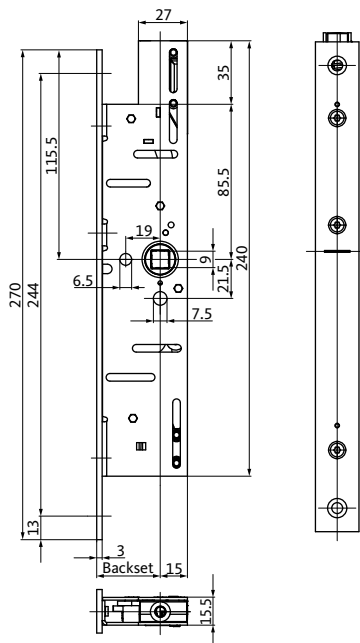
Faceplate Material/Finish	Backset [mm]	Faceplate Shape	Faceplate 24 x 3 x 270 mm Non-handed
Satin stainless steel	30	Square	B-18910-10-0-8
	35	Square	B-18910-11-0-8
	40	Square	B-18910-12-0-8
	45	Square	B-18910-13-0-8

Additional options (available on request)

Faceplate		Follower [mm]	Backset [mm]	Special versions	Suitable locks
Material/Finish	Special faceplate				
Stainless steel, gold-plated matt	Adapter faceplate	-	50 54 60	-	B-1849

B-1892 shoot-bolt lock

with automatic locking



Functional description

When the door leaf is closed, automatic locking of the vertical rods at the top and bottom is triggered by passive-leaf control lock B 1895. When unlocking, the vertical rods are retracted into the passive leaf by operating the vertical lever. When the opening movement is completed, the vertical rod is automatically locked in place within the control lock.

Product description

B-1892 shoot-bolt lock with automatic locking

- Approved to EN 179 (emergency exits)
- Satin stainless steel faceplate
- 9 mm follower

Classification code

EN 179

3	7	7	B	1	3	4	2	A	C
---	---	---	---	---	---	---	---	---	---

Standards

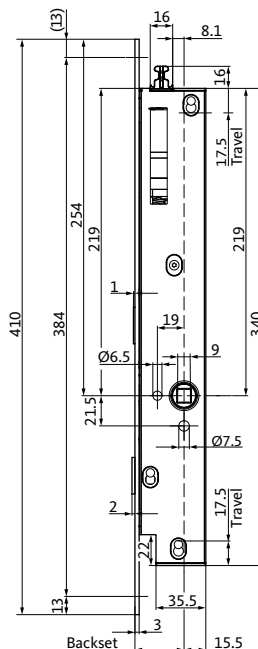


B-1892 shoot-bolt lock			
Faceplate Material/Finish	Backset [mm]	Faceplate Shape	Faceplate 24 x 3 x 270 mm Non-handed
Satin stainless steel	30	Square	B-18920-00-0-8
	35	Square	B-18920-01-0-8
	40	Square	B-18920-02-0-8
	45	Square	B-18920-03-0-8
	50	Square	B-18920-04-0-8
	55	Square	B-18920-05-0-8
	60	Square	B-18920-06-0-8

Additional options (available on request)					
Faceplate		Follower [mm]	Backset [mm]	Special versions	Suitable strikers
Material/Finish	Special faceplate				
Stainless steel, gold-plated matt	Adapter faceplate	-	65 70	Follower monitoring	-

B-1893 motor-driven shoot-bolt lock

with automatic locking



Functional description

The motor-driven shoot-bolt lock for the passive leaf of double-leaf doors can be opened manually, but also electrically in conjunction e.g. with a swing-door drive via a separate control unit. A motor-driven lock on the active leaf is not necessary, as the active leaf can be opened independently of the passive leaf.

Product description

B-1893 motor-driven shoot-bolt lock

- Approved to EN 179 (emergency exits), EN 1125 (panic doors)
- Satin stainless steel faceplate
- 9 mm follower
- Including latch and deadbolt monitoring
- Operating voltage 24 V DC

Classification code

EN 179

3	7	7	B	1	3	4	2	A	C
---	---	---	---	---	---	---	---	---	---

EN 1125

3	7	7	B	1	3	2	1/2	A/B	C
---	---	---	---	---	---	---	-----	-----	---

Standards



B-1893 motor-driven shoot-bolt lock

Faceplate Material/Finish	Backset [mm]	Faceplate Shape	Faceplate 24 x 3 x 410 mm Non-handed	U-faceplate 24 x 6 x 2 x 408 mm Non-handed
Satin stainless steel	35 (34)	Square	B-18930-00-0-8	B-18930-10-0-8
	40 (39)	Square	B-18930-01-0-8	B-18930-11-0-8
	45 (44)	Square	B-18930-02-0-8	B-18930-12-0-8

B-1893 motor-driven shoot-bolt lock

Faceplate Material/Finish	Backset [mm]	Faceplate Shape	Faceplate 24 x 3 x 410 mm, lip 42.5 mm	
			DIN LH	DIN RH
Satin stainless steel	35	Square	B-18930-19-L-8	B-18930-19-R-8
	40	Square	B-18930-20-L-8	B-18930-20-R-8

Accessories to be ordered separately

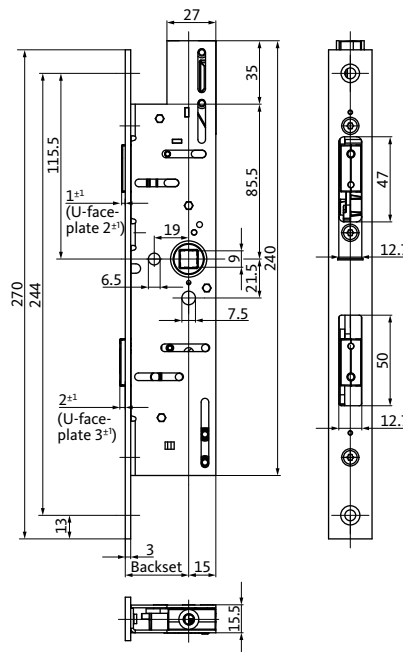
Description	Order number	See page
Control unit for motor-driven lock	B-54900-01-3-9	418
SHEV control unit for motor-driven locks (for SHEV systems)	B-54900-01-4-9	418
Connecting cable	B 5490 0300	427
Power supply unit (24 V DC/4.2 A)	B 5570 0401	473
Emergency power buffer for fire rated doors	B-54903-23-3-9	418
DIN rail enclosure for control unit, emergency power buffer, power supply unit	B 5495 0251	418

Additional options (available on request)

Faceplate		Follower [mm]	Backset [mm]	Special versions	Suitable locks	
Material/Finish	Special faceplate					
Stainless steel, gold-plated matt	-	-	-	-	B-1821 B-1823 B-1825 B-1827	B-1831 B-1833 B-1835 B-1837

B-1896 shoot-bolt lock

with manual locking



Functional description

When the passive leaf is closed, the vertical rods must be extended manually by the vertical lever. Upon opening by operating the vertical lever or the panic push bar, the vertical rods are retracted into the passive leaf, whilst deadbolt and latch are pushed back into the lock of the active leaf.

Product description

Shoot-bolt lock B-1896 with manual locking

- Satin stainless steel faceplate
- 9 mm follower

B-1896 shoot-bolt lock

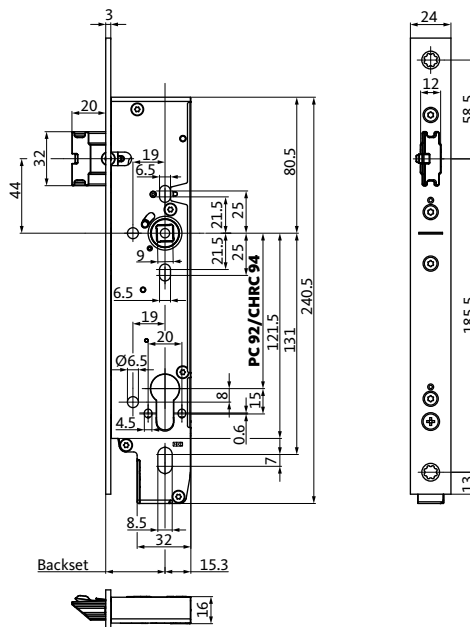
Faceplate Material/Finish	Backset [mm]	Faceplate Shape	Faceplate 24 x 3 x 270 mm Non-handed
Satin stainless steel	30	Square	B-18960-00-0-8
	35	Square	B-18960-01-0-8
	40	Square	B-18960-02-0-8
	45	Square	B-18960-03-0-8
	50	Square	B-18960-04-0-8
	54	Square	B-18960-05-0-8
	60	Square	B-18960-06-0-8
	65	Square	B-18960-07-0-8
	70	Square	B-18960-08-0-8
80	Square	B-18960-09-0-8	

Additional options (available on request)

Faceplate		Follower [mm]	Backset [mm]	Special versions	Suitable locks	
Material/Finish	Special faceplate					
Stainless steel, gold-plated matt	U-faceplate Adapter faceplate	-	-	-	B-1821 B-1823 B-1825 B-1827	B-1831 B-1833 B-1835 B-1837

B-1975 electrically coupled lock

for 1-leaf doors



Functional description

Self-locking electrically coupled lock for 1-leaf doors. The interior and exterior lever handle is electrically coupled, i.e. access or exit can be controlled electrically. Opening from outside by key (via the latch lever).

Product description

B-1975 electrically coupled lock

- Approved to EN 14846
- VDS C
- Reversible latchbolt
- Satin stainless steel faceplate
- 9 mm split follower
- Automatic latchbolt, 20 mm latch projection in locked position
- With latch lever
- 92 mm (PC), 94 mm (CH-RC) hole distance
- Integral control unit
- 12–24 V DC
- Switchable fail-secure/fail-safe setting options

Classification code

EN 14846

3	S	3	E	0	0	6	0	2
---	---	---	---	---	---	---	---	---

Variants



PC hole-type



CH-RC hole-type

Standards



B-1975 lock with electrically coupled interior and exterior lever handle for 1-leaf doors

Faceplate Material/Finish	Backset [mm]	Faceplate Shape	Faceplate 24 x 3 x 270 mm Non-handed	U-faceplate 24 x 6 x 2 x 268 mm Non-handed
Satin stainless steel	35	Square	B-19750-00-U-8	B-19750-03-U-8
	40	Square	B-19750-01-U-8	-
	45	Square	B-19750-02-U-8	B-19750-04-U-8

Accessories to be ordered separately

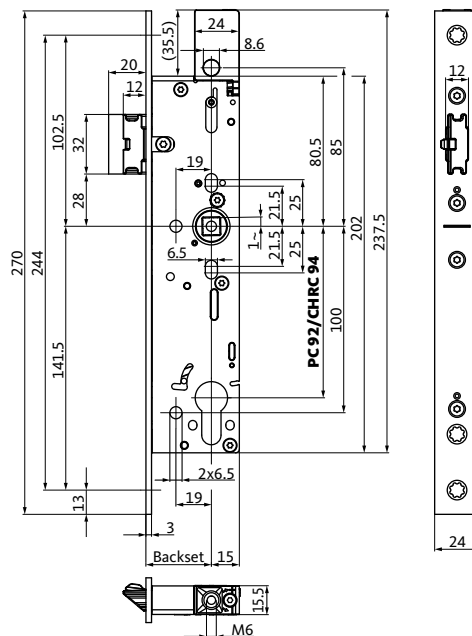
Description	Order number	See page
Connecting cable	B 5490 0300	427

Additional options (available on request)

Faceplate		Follower [mm]	Backset [mm]	Special versions	Suitable strikers
Material/Finish	Width [mm]				
Stainless steel, gold-plated matt	-	-	50 55 60 65	CH-RC hole-type	B-90000-00-0-8 B-90000-24-0-8

B-1900 panic lock

for 1-leaf doors with top-locking



Functional description

Panic function B

Self-locking panic lock for single-leaf doors with mechanical panic function on the interior lever handle. Opening the door is possible at any time. The exterior lever handle can be engaged or disengaged mechanically using the key.

For a detailed functional description see page 494.

Product description

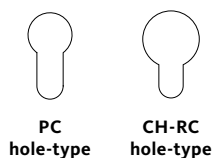
B-1900 panic lock with top-locking

- Approved to EN 12209 for fire rated doors, EN 179 (emergency exits) and EN 1125 (panic doors)
- Reversible latchbolt
- Switchable panic side outward/inward
- Satin stainless steel faceplate
- 9 mm split follower
- 92 mm (PC), 94 mm (CH-RC) hole distance
- Optionally with monitoring contacts

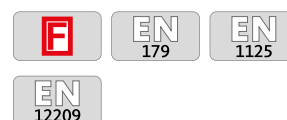
Classification code

EN 179										
3	7	7	B	1	3	4	2	A	B/D	
EN 1125										
3	7	7	B	1	3	2	1/2	A/B	B	
EN 12209										
3	S	3	1	0	C	6	B	B	2	0

Variants



Standards



B-1990 panic lock with top-locking for 1-leaf doors

Faceplate Material/Finish	Backset [mm]	Faceplate Shape	Faceplate 24 x 3 x 270 mm Non-handed	U-faceplate 24 x 6 x 2 x 268 mm Non-handed
Satin stainless steel	35	Square	B-19000-00-U-8	B-19000-06-U-8
	40	Square	B-19000-01-U-8	B-19000-07-U-8
	45	Square	B-19000-02-U-8	B-19000-08-U-8

B-1900 panic lock with top-locking and CH-RC hole-type, for 1-leaf doors

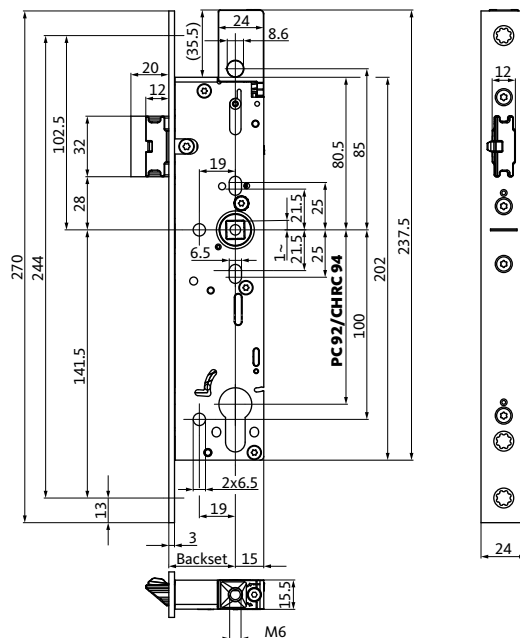
Faceplate Material/Finish	Backset [mm]	Faceplate Shape	Faceplate 24 x 3 x 270 mm CH-RC hole-type Non-handed	U-faceplate 24 x 6 x 2 x 268 mm CH-RC hole-type Non-handed
Satin stainless steel	35	Square	B-19000-03-U-8	B-19000-09-U-8
	40	Square	B-19000-04-U-8	B-19000-10-U-8
	45	Square	B-19000-05-U-8	B-19000-11-U-8

Additional options (available on request)

Faceplate		Follower [mm]	Backset [mm]	Special versions	Suitable strikers
Material/Finish	Width [mm]				
Stainless steel, gold-plated matt	–	–	50 55 60 65	Lock monitoring	B-90000-00-0-8 B-90000-24-0-8

B-1901 panic lock

for 2-leaf doors with top-locking



Functional description

Panic function B

Self-locking panic lock for double-leaf doors with mechanical panic function on the interior lever handle. Opening the door is possible at any time. The exterior lever handle can be engaged or disengaged mechanically using the key.

For a detailed functional description see page 494.

Product description

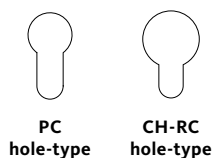
B-1901 panic lock with top-locking

- Approved to EN 12209 for fire rated doors, EN 179 (emergency exits) and EN 1125 (panic doors)
- Reversible latchbolt
- Switchable panic side outward/inward
- Satin stainless steel faceplate
- 9 mm split follower
- 92 mm (PC), 94 mm (CH-RC) hole distance
- Optionally with monitoring contacts

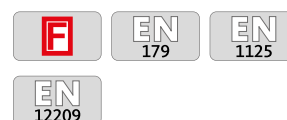
Classification code

EN 179										
3	7	7	B	1	3	4	2	A	A	
EN 1125										
3	7	7	B	1	3	2	1/2	A/B	A	
EN 12209										
3	S	3	1	0	C	0	B	B	2	0

Variants



Standards



B-1901 panic lock with top-locking for 2-leaf doors

Faceplate Material/Finish	Backset [mm]	Faceplate Shape	Faceplate 24 x 3 x 270 mm Non-handed	U-faceplate 24 x 6 x 2 x 268 mm Non-handed
Satin stainless steel	35	Square	B-19010-00-U-8	B-19010-06-U-8
	40	Square	B-19010-01-U-8	B-19010-07-U-8
	45	Square	B-19010-02-U-8	B-19010-08-U-8

B-1901 panic lock with top-locking and CH-RC hole-type, for 2-leaf doors

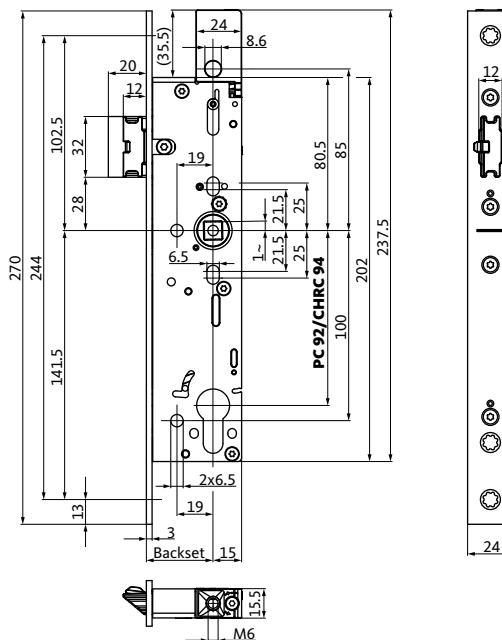
Faceplate Material/Finish	Backset [mm]	Faceplate Shape	Faceplate 24 x 3 x 270 mm CH-RC hole-type Non-handed	U-faceplate 24 x 6 x 2 x 268 mm CH-RC hole-type Non-handed
Satin stainless steel	35	Square	B-19010-03-U-8	B-19010-09-U-8
	40	Square	B-19010-04-U-8	B-19010-10-U-8
	45	Square	B-19010-05-U-8	B-19010-11-U-8

Additional options (available on request)

Faceplate		Follower [mm]	Backset [mm]	Special versions	Suitable shoot-bolt lock
Material/Finish	Width [mm]				
Stainless steel, gold-plated matt	-	-	50 55 60 65	Lock monitoring	B-1990

B-1902 panic lock

for 1-leaf doors with top-locking



Functional description

Panic function C

Self-locking panic lock for single-leaf doors with mechanical panic function on the interior lever handle. Opening the door is possible at any time. The exterior lever handle is always set to idle. The door can only be opened by operating the key and the lever handle. When the key is removed, the exterior lever handle reverts automatically to idle.

For a detailed functional description see page 495.

Product description

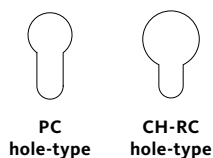
B-1902 panic lock with top-locking

- Approved to EN 12209 for fire rated doors, EN 179 (emergency exits) and EN 1125 (panic doors)
- Reversible latchbolt
- Switchable panic side outward/inward
- Satin stainless steel faceplate
- 9 mm split follower
- 92 mm (PC), 94 mm (CH-RC) hole distance
- Optionally with monitoring contacts

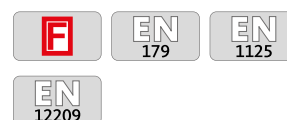
Classification code

EN 179										
3	7	7	B	1	3	4	2	A	B/D	
EN 1125										
3	7	7	B	1	3	2	1/2	A/B	B	
EN 12209										
3	S	3	1	0	C	6	B	B	2	0

Variants



Standards



B-1902 panic lock with top-locking for 1-leaf doors

Faceplate Material/Finish	Backset [mm]	Faceplate Shape	Faceplate 24 x 3 x 270 mm Non-handed	U-faceplate 24 x 6 x 2 x 268 mm Non-handed
Satin stainless steel	35	Square	B-19020-00-U-8	B-19020-06-U-8
	40	Square	B-19020-01-U-8	B-19020-07-U-8
	45	Square	B-19020-02-U-8	B-19020-08-U-8

B-1902 panic lock with top-locking and CH-RC hole-type, for 1-leaf doors

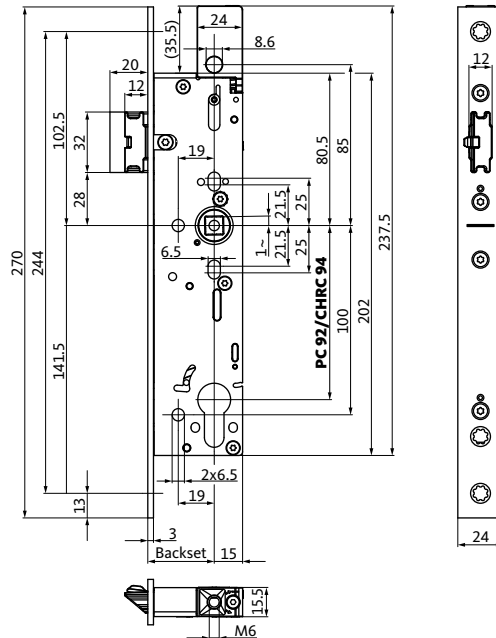
Faceplate Material/Finish	Backset [mm]	Faceplate Shape	Faceplate 24 x 3 x 270 mm CH-RC hole-type Non-handed	U-faceplate 24 x 6 x 2 x 268 mm CH-RC hole-type Non-handed
Satin stainless steel	35	Square	B-19020-03-U-8	B-19020-09-U-8
	40	Square	B-19020-04-U-8	B-19020-10-U-8
	45	Square	B-19020-05-U-8	B-19020-11-U-8

Additional options (available on request)

Faceplate		Follower [mm]	Backset [mm]	Special versions	Suitable strikers
Material/Finish	Width [mm]				
Stainless steel, gold-plated matt	–	–	50 55 60 65	Lock monitoring	B-90000-00-0-8 B-90000-24-0-8

B-1903 panic lock

with top-locking for 2-leaf doors



Functional description

Panic function C

Self-locking panic lock for double-leaf doors with mechanical panic function on the interior lever handle. Opening the door is possible at any time. The exterior lever handle is always set to idle. The door can only be opened by operating the key and the lever handle. When the key is removed, the exterior lever handle reverts automatically to idle.

For a detailed functional description see page 495.

Product description

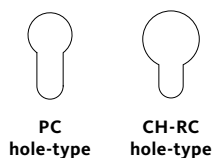
B-1903 panic lock with top-locking

- Approved to EN 12209 for fire rated doors, EN 179 (emergency exits) and EN 1125 (panic doors)
- Reversible latchbolt
- Switchable panic side outward/inward
- Satin stainless steel faceplate
- 9 mm split follower
- 92 mm (PC), 94 mm (CH-RC) hole distance
- Optionally with monitoring contacts

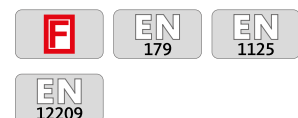
Classification code

EN 179										
3	7	7	B	1	3	4	2	A	A	
EN 1125										
3	7	7	B	1	3	2	1/2	A/B	A	
EN 12209										
3	S	3	1	0	C	0	B	B	2	0

Variants



Standards



B-1903 panic lock with top-locking for 2-leaf doors

Faceplate Material/Finish	Backset [mm]	Faceplate Shape	Faceplate 24 x 3 x 270 mm Non-handed	U-faceplate 24 x 6 x 2 x 268 mm Non-handed
Satin stainless steel	35	Square	B-19030-00-U-8	B-19030-06-U-8
	40	Square	B-19030-01-U-8	B-19030-07-U-8
	45	Square	B-19030-02-U-8	B-19030-08-U-8

B-1903 panic lock with top-locking and CH-RC hole-type, for 2-leaf doors

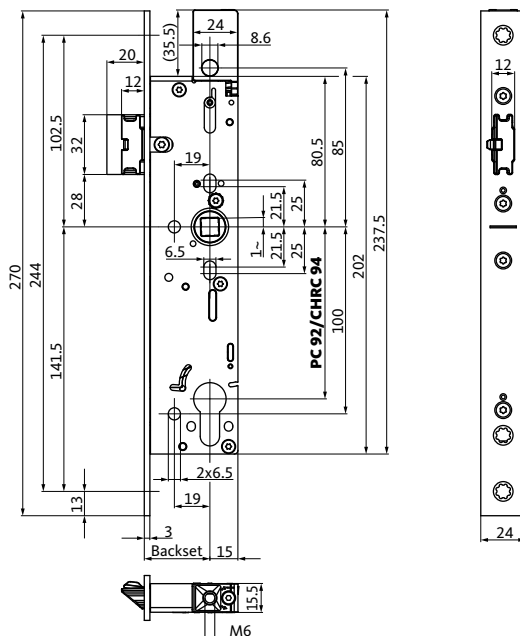
Faceplate Material/Finish	Backset [mm]	Faceplate Shape	Faceplate 24 x 3 x 270 mm CH-RC hole-type Non-handed	U-faceplate 24 x 6 x 2 x 268 mm CH-RC hole-type Non-handed
Satin stainless steel	35	Square	B-19030-03-U-8	B-19030-09-U-8
	40	Square	B-19030-04-U-8	B-19030-10-U-8
	45	Square	B-19030-05-U-8	B-19030-11-U-8

Additional options (available on request)

Faceplate		Follower [mm]	Backset [mm]	Special versions	Suitable shoot-bolt lock
Material/Finish	Width [mm]				
Stainless steel, gold-plated matt	-	-	50 55 60 65	Lock monitoring	B-1990

B-1906 panic lock

for 1-leaf doors with top-locking



Functional description

Panic function E

Self-locking panic lock for single-leaf doors with mechanical panic function on the interior lever handle. Opening the door is possible at any time. Mechanical access from outside using the key (via the latch lever).

For a detailed functional description see page 497.

Product description

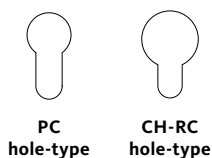
B-1906 panic lock with top-locking

- Approved to EN 12209 for fire rated doors, EN 179 (emergency exits) and EN 1125 (panic doors)
- Reversible latchbolt
- Satin stainless steel faceplate
- 9 mm follower
- With latch lever
- 92 mm (PC), 94 mm (CH-RC) hole distance
- Optionally with monitoring contacts

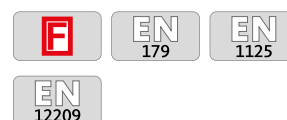
Classification code

EN 179										
3	7	7	B	1	3	4	2	A	B/D	
EN 1125										
3	7	7	B	1	3	2	1/2	A/B	B	
EN 12209										
3	S	3	1	0	C	6	B	B	2	0

Variants



Standards



B-1906 panic lock with top-locking for 1-leaf doors

Faceplate Material/Finish	Backset [mm]	Faceplate Shape	Faceplate 24 x 3 x 270 mm Non-handed	U-faceplate 24 x 6 x 2 x 268 mm Non-handed
Satin stainless steel	35	Square	B-19060-00-U-8	B-19060-06-U-8
	40	Square	B-19060-01-U-8	B-19060-07-U-8
	45	Square	B-19060-02-U-8	B-19060-08-U-8

B-1906 panic lock with top-locking and CH-RC hole type, for 1-leaf doors

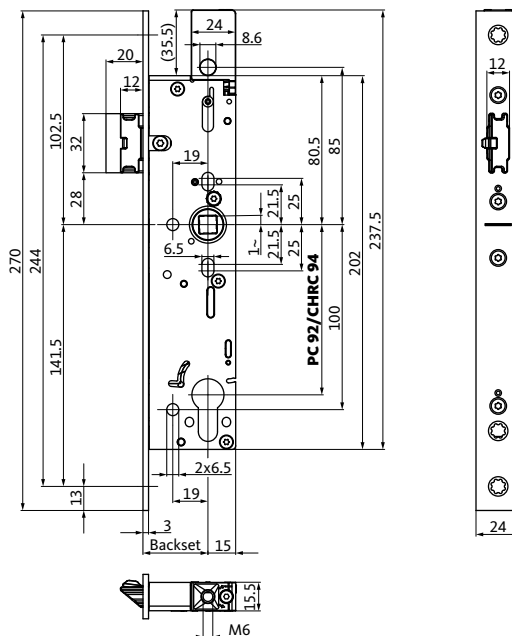
Faceplate Material/Finish	Backset [mm]	Faceplate Shape	Faceplate 24 x 3 x 270 mm CH-RC hole-type Non-handed	U-faceplate 24 x 6 x 2 x 268 mm CH-RC hole-type Non-handed
Satin stainless steel	35	Square	B-19060-03-U-8	B-19060-09-U-8
	40	Square	B-19060-04-U-8	B-19060-10-U-8
	45	Square	B-19060-05-U-8	B-19060-11-U-8

Additional options (available on request)

Faceplate		Follower [mm]	Backset [mm]	Special versions	Suitable strikers
Material/Finish	Width [mm]				
Stainless steel, gold-plated matt	–	–	50 55 60 65	Lock monitoring	B-90000-00-0-8 B-90000-24-0-8

B-1907 panic lock

for 2-leaf doors with top-locking



Functional description

Panic function E

Self-locking panic lock for double-leaf doors with mechanical panic function on the interior lever handle. Opening the door is possible at any time. Mechanical access from outside using the key (via the latch lever).

For a detailed functional description see page 497.

Product description

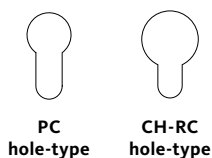
B-1907 panic lock with top-locking

- Approved to EN 12209 for fire rated doors, EN 179 (emergency exits) and EN 1125 (panic doors)
- Reversible latchbolt
- Satin stainless steel faceplate
- 9 mm follower
- With latch lever
- 92 mm (PC), 94 mm (CH-RC) hole distance
- Optionally with monitoring contacts

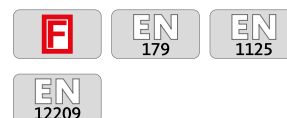
Classification code

EN 179										
3	7	7	B	1	3	4	2	A	A	
EN 1125										
3	7	7	B	1	3	2	1/2	A/B	A	
EN 12209										
3	S	3	1	0	C	0	B	B	2	0

Variants



Standards



B-1907 panic lock with top-locking for 2-leaf doors

Faceplate Material/Finish	Backset [mm]	Faceplate Shape	Faceplate 24 x 3 x 270 mm Non-handed	U-faceplate 24 x 6 x 2 x 268 mm Non-handed
Satin stainless steel	35	Square	B-19070-00-U-8	B-19070-06-U-8
	40	Square	B-19070-01-U-8	B-19070-07-U-8
	45	Square	B-19070-02-U-8	B-19070-08-U-8

B-1907 panic lock with top-locking and CH-RC hole-type, for 2-leaf doors

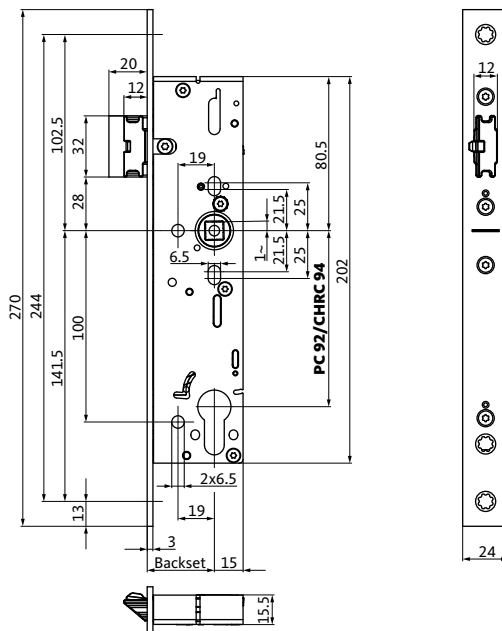
Faceplate Material/Finish	Backset [mm]	Faceplate Shape	Faceplate 24 x 3 x 270 mm CH-RC hole-type Non-handed	U-faceplate 24 x 6 x 2 x 268 mm CH-RC hole-type Non-handed
Satin stainless steel	35	Square	B-19070-03-U-8	B-19070-09-U-8
	40	Square	B-19070-04-U-8	B-19070-10-U-8
	45	Square	B-19070-05-U-8	B-19070-11-U-8

Additional options (available on request)

Faceplate		Follower [mm]	Backset [mm]	Special versions	Suitable shoot-bolt lock
Material/Finish	Width [mm]				
Stainless steel, gold-plated matt	-	-	50 55 60 65	Lock monitoring	B-1990

B-1910 panic lock

for 1-leaf doors



Functional description

Panic function B

Self-locking panic lock for single-leaf doors with mechanical panic function on the interior lever handle. Opening the door is possible at any time. The exterior lever handle can be engaged or disengaged mechanically using the key.

For a detailed functional description see page 494.

Product description

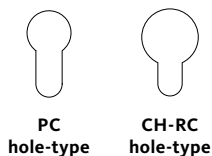
B-1910 panic lock

- Approved to EN 12209 for fire rated doors, EN 179 (emergency exits) and EN 1125 (panic doors)
- Reversible latchbolt
- Switchable panic side outward/inward
- Satin stainless steel faceplate
- 9 mm split follower
- Automatic latchbolt, 20 mm latch projection in locked position
- 92 mm (PC), 94 mm (CH-RC) hole distance
- Optionally with monitoring contacts

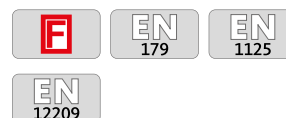
Classification code

EN 179										
3	7	7	B	1	3	4	2	A	B/D	
EN 1125										
3	7	7	B	1	3	2	1/2	A/B	B	
EN 12209										
3	S	3	1	0	C	6	B	B	2	0

Variants



Standards



B-1910 panic lock for 1-leaf doors

Faceplate Material/Finish	Backset [mm]	Faceplate Shape	Faceplate 24 x 3 x 270 mm Non-handed	U-faceplate 24 x 6 x 2 x 268 mm Non-handed
Satin stainless steel	35	Square	B-19100-00-U-8	B-19100-10-U-8
	40	Square	B-19100-01-U-8	B-19100-11-U-8
	45	Square	B-19100-02-U-8	B-19100-12-U-8

B-1910 panic lock with CH-RC hole-type, for 1-leaf doors

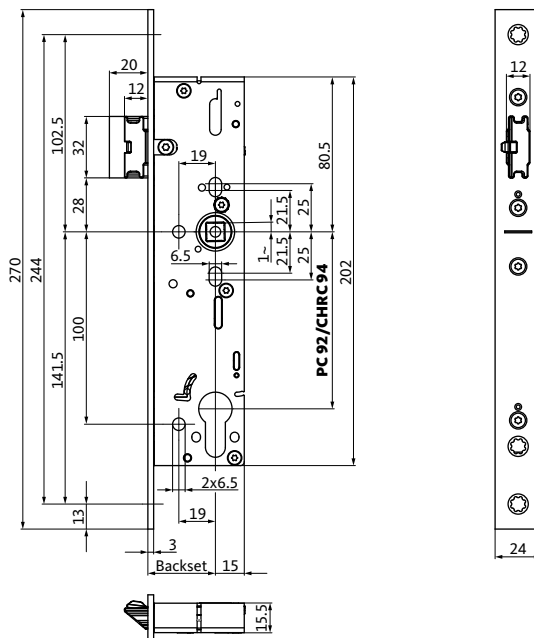
Faceplate Material/Finish	Backset [mm]	Faceplate Shape	Faceplate 24 x 3 x 270 mm CH-RC hole-type Non-handed	U-faceplate 24 x 6 x 2 x 268 mm CH-RC hole-type Non-handed
Satin stainless steel	35	Square	B-19100-07-U-8	B-19100-13-U-8
	40	Square	B-19100-08-U-8	B-19100-14-U-8
	45	Square	B-19100-09-U-8	B-19100-15-U-8

Additional options (available on request)

Faceplate		Follower [mm]	Backset [mm]	Special versions	Suitable strikers
Material/Finish	Width [mm]				
Stainless steel, gold-plated matt	–	–	50 55 60 65	Lock monitoring	B-90000-00-0-8 B-90000-24-0-8

B-1911 panic lock

for 2-leaf doors



Functional description

Panic function B

Self-locking panic lock for double-leaf doors with mechanical panic function on the interior lever handle. Opening the door is possible at any time. The exterior lever handle can be engaged or disengaged mechanically using the key.

For a detailed functional description see page 494.

Product description

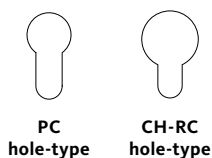
B-1911 panic lock

- Approved to EN 12209 for fire rated doors, EN 179 (emergency exits) and EN 1125 (panic doors)
- Reversible latchbolt
- Switchable panic side outward/inward
- Satin stainless steel faceplate
- 9 mm split follower
- Automatic latchbolt, 20 mm latch projection in locked position
- 92 mm (PC), 94 mm (CH-RC) hole distance
- Optionally with monitoring contacts

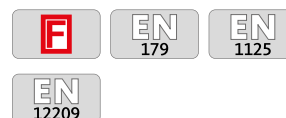
Classification code

EN 179										
3	7	7	B	1	3	4	2	A	A	
EN 1125										
3	7	7	B	1	3	2	1/2	A/B	A	
EN 12209										
3	S	3	1	0	C	0	B	B	2	0

Variants



Standards



B-1911 panic lock for 1-leaf doors

Faceplate Material/Finish	Backset [mm]	Faceplate Shape	Faceplate 24 x 3 x 270 mm Non-handed	U-faceplate 24 x 6 x 2 x 268 mm Non-handed
Satin stainless steel	35	Square	B-19110-00-U-8	B-19110-10-U-8
	40	Square	B-19110-01-U-8	B-19110-11-U-8
	45	Square	B-19110-02-U-8	B-19110-12-U-8

B-1911 panic lock with CH-RC hole-type, for 2-leaf doors

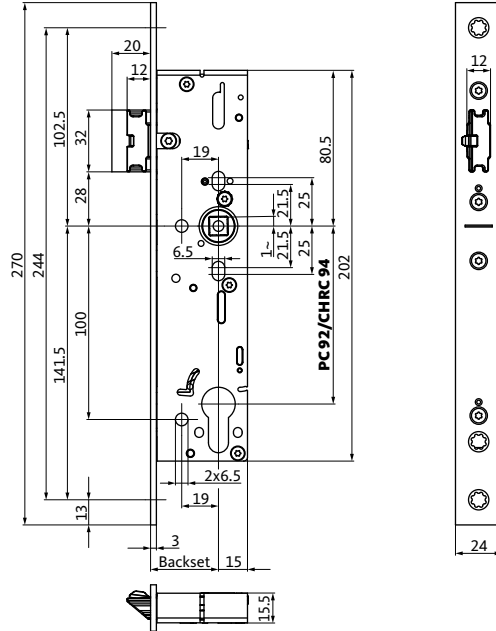
Faceplate Material/Finish	Backset [mm]	Faceplate Shape	Faceplate 24 x 3 x 270 mm CH-RC hole-type Non-handed	U-faceplate 24 x 6 x 2 x 268 mm CH-RC hole-type Non-handed
Satin stainless steel	35	Square	B-19110-07-U-8	B-19110-13-U-8
	40	Square	B-19110-08-U-8	B-19110-14-U-8
	45	Square	B-19110-09-U-8	B-19110-15-U-8

Additional options (available on request)

Faceplate		Follower [mm]	Backset [mm]	Special versions	Suitable shoot-bolt lock
Material/Finish	Width [mm]				
Stainless steel, gold-plated matt	–	–	50 55 60 65	Lock monitoring	B-1990

B-1912 panic lock

for 1-leaf doors



Functional description

Panic function C

Self-locking panic lock for single-leaf doors with mechanical panic function on the interior lever handle. Opening the door is possible at any time. The exterior lever handle is always set to idle. The door can only be opened by operating the key and the lever handle. When the key is removed, the exterior lever handle reverts automatically to idle.

For a detailed functional description see page 495.

Product description

B-1912 panic lock

- Approved to EN 12209 for fire rated doors, EN 179 (emergency exits) and EN 1125 (panic doors)
- Reversible latchbolt
- Switchable panic side outward/inward
- Satin stainless steel faceplate
- 9 mm split follower
- Automatic latchbolt, 20 mm latch projection in locked position
- 92 mm (PC), 94 mm (CH-RC) hole distance
- Optionally with monitoring contacts

Classification code

EN 179

3	7	7	B	1	3	4	2	A	B/D
---	---	---	---	---	---	---	---	---	-----

EN 1125

3	7	7	B	1	3	2	1/2	A/B	B
---	---	---	---	---	---	---	-----	-----	---

EN 12209

3	S	3	1	0	C	6	B	B	2	0
---	---	---	---	---	---	---	---	---	---	---

Variants

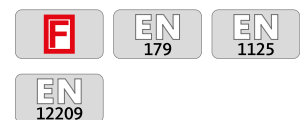


PC hole-type



CH-RC hole-type

Standards



B-1912 panic lock for 1-leaf doors

Faceplate Material/Finish	Backset [mm]	Faceplate Shape	Faceplate 24 x 3 x 270 mm Non-handed
Satin stainless steel	35	Square	B-19120-00-U-8
	40	Square	B-19120-01-U-8
	45	Square	B-19120-02-U-8

B-1912 panic lock with CH-RC hole-type, for 1-leaf doors

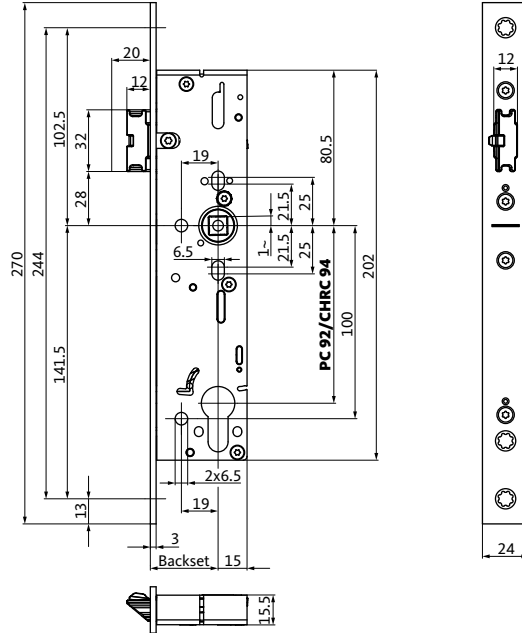
Faceplate Material/Finish	Backset [mm]	Faceplate Shape	Faceplate 24 x 3 x 270 mm CH-RC hole-type Non-handed
Satin stainless steel	35	Square	B-19120-07-U-8
	40	Square	B-19120-08-U-8
	45	Square	B-19120-09-U-8

Additional options (available on request)

Faceplate		Follower [mm]	Backset [mm]	Special versions	Suitable strikers
Material/Finish	Width [mm]				
Stainless steel, gold-plated matt	–	–	50 55 60 65	Lock monitoring	B-90000-00-0-8 B-90000-24-0-8

B-1913 panic lock

for 2-leaf doors



Functional description

Panic function C

Self-locking panic lock for double-leaf doors with mechanical panic function on the interior lever handle. Opening the door is possible at any time. The exterior lever handle is always set to idle. The door can only be opened by operating the key and the lever handle. When the key is removed, the exterior lever handle reverts automatically to idle.

For a detailed functional description see page 495.

Product description

B-1913 panic lock

- Approved to EN 12209 for fire rated doors, EN 179 (emergency exits) and EN 1125 (panic doors)
- Reversible latchbolt
- Switchable panic side outward/inward
- Satin stainless steel faceplate
- 9 mm split follower
- Automatic latchbolt, 20 mm latch projection in locked position
- 92 mm (PC), 94 mm (CH-RC) hole distance
- Optionally with monitoring contacts

Classification code

EN 179

3	7	7	B	1	3	4	2	A	A
---	---	---	---	---	---	---	---	---	---

EN 1125

3	7	7	B	1	3	2	1/2	A/B	A
---	---	---	---	---	---	---	-----	-----	---

EN 12209

3	S	3	1	0	C	0	B	B	2	0
---	---	---	---	---	---	---	---	---	---	---

Variants



PC hole-type



CH-RC hole-type

Standards



B-1913 panic lock for 2-leaf doors

Faceplate Material/Finish	Backset [mm]	Faceplate Shape	Faceplate 24 x 3 x 270 mm Non-handed
Satin stainless steel	35	Square	B-19130-00-U-8
	40	Square	B-19130-01-U-8
	45	Square	B-19130-02-U-8

B-1913 panic lock with CH-RC hole-type, for 2-leaf doors

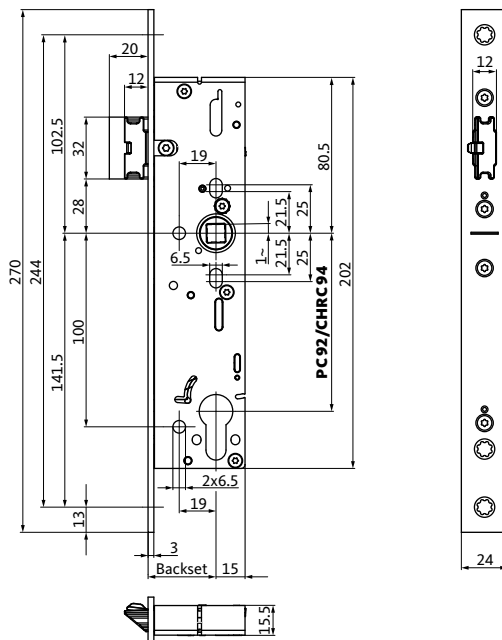
Faceplate Material/Finish	Backset [mm]	Faceplate Shape	Faceplate 24 x 3 x 270 mm CH-RC hole-type Non-handed
Satin stainless steel	35	Square	B-19130-07-U-8
	40	Square	B-19130-08-U-8
	45	Square	B-19130-09-U-8

Additional options (available on request)

Faceplate		Follower [mm]	Backset [mm]	Special versions	Suitable shoot-bolt lock
Material/Finish	Width [mm]				
Stainless steel, gold-plated matt	–	–	50 55 60 65	Lock monitoring	B-1990

B-1916 panic lock

for 1-leaf doors



Functional description

Panic function E

Self-locking panic lock for single-leaf doors with mechanical panic function on the interior lever handle. Opening the door is possible at any time. Mechanical access from outside using the key (via the latch lever).

For a detailed functional description see page 497.

Product description

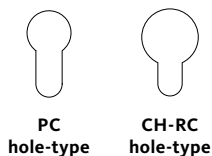
B-1916 panic lock

- Approved to EN 12209 for fire rated doors, EN 179 (emergency exits) and EN 1125 (panic doors)
- Reversible latchbolt
- Satin stainless steel faceplate
- 9 mm follower
- With latch lever
- Automatic latchbolt, 20 mm latch projection in locked position
- 92 mm (PC), 94 mm (CH-RC) hole distance
- Optionally with monitoring contacts

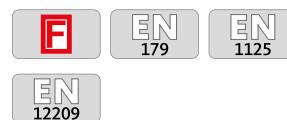
Classification code

EN 179										
3	7	7	B	1	3	4	2	A	B/D	
EN 1125										
3	7	7	B	1	3	2	1/2	A/B	B	
EN 12209										
3	S	3	1	0	C	6	B	B	2	0

Variants



Standards



B-1916 panic lock for 1-leaf doors

Faceplate Material/Finish	Backset [mm]	Faceplate Shape	Faceplate 24 x 3 x 270 mm Non-handed	U-faceplate 24 x 6 x 2 x 268 mm Non-handed
Satin stainless steel	35	Square	B-19160-00-U-8	B-19160-13-U-8
	40	Square	B-19160-01-U-8	B-19160-14-U-8
	45	Square	B-19160-02-U-8	B-19160-15-U-8

B-1916 panic lock with CH-RC hole-type, for 1-leaf doors

Faceplate Material/Finish	Backset [mm]	Faceplate Shape	Faceplate 24 x 3 x 270 mm CH-RC hole-type Non-handed	U-faceplate 24 x 6 x 2 x 268 mm CH-RC hole-type Non-handed
Satin stainless steel	35	Square	B-19160-10-U-8	B-19160-16-U-8
	40	Square	B-19160-11-U-8	B-19160-17-U-8
	45	Square	B-19160-12-U-8	B-19160-18-U-8

B-1916 panic lock with monitoring contacts for 1-leaf doors

Faceplate Material/Finish	Backset [mm]	Faceplate Shape	Faceplate 24 x 3 x 270 mm Non-handed	U-faceplate 24 x 6 x 2 x 268 mm Non-handed
Satin stainless steel	35	Square	B-19160-22-U-8	B-19160-28-U-8
	40	Square	B-19160-23-U-8	B-19160-29-U-8
	45	Square	B-19160-24-U-8	B-19160-30-U-8

B-1916 panic lock with key-controlled latch holdback for 1-leaf doors

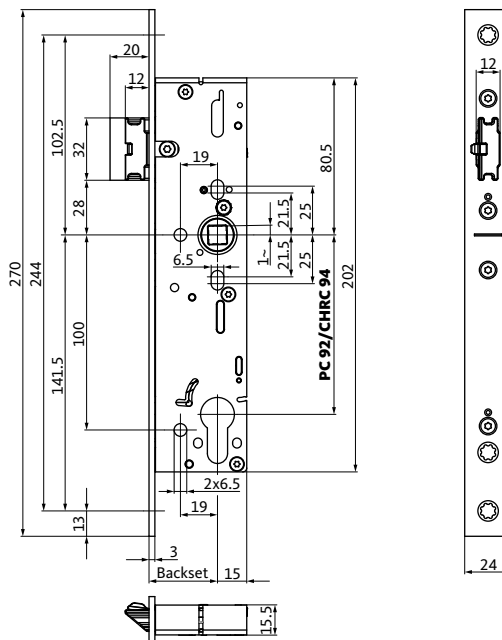
Faceplate Material/Finish	Backset [mm]	Faceplate Shape	Faceplate 24 x 3 x 270 mm Non-handed	U-faceplate 24 x 6 x 2 x 268 mm Non-handed
Satin stainless steel	35	Square	B-19160-37-U-8	B-19160-43-U-8
	40	Square	B-19160-38-U-8	B-19160-44-U-8
	45	Square	B-19160-39-U-8	B-19160-45-U-8

Additional options (available on request)

Faceplate		Follower [mm]	Backset [mm]	Special versions	Suitable strikers
Material/Finish	Width [mm]				
Stainless steel, gold-plated matt	-	-	50 55 60 65	-	B-90000-00-0-8 B-90000-24-0-8

B-1917 panic lock

for 2-leaf doors



Functional description

Panic function E

Self-locking panic lock for double-leaf doors with mechanical panic function on the interior lever handle. Opening the door is possible at any time. Mechanical access from outside using the key (via the latch lever).

For a detailed functional description see page 497.

Product description

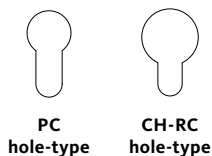
B-1917 panic lock

- Approved to EN 12209 for fire rated doors, EN 179 (emergency exits) and EN 1125 (panic doors)
- Reversible latchbolt
- Satin stainless steel faceplate
- 9 mm follower
- With latch lever
- Automatic latchbolt, 20 mm latch projection in locked position
- 92 mm (PC), 94 mm (CH-RC) hole distance
- Optionally with monitoring contacts

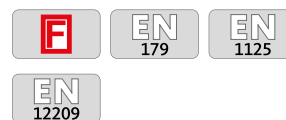
Classification code

EN 179										
3	7	7	B	1	3	4	2	A	A	
EN 1125										
3	7	7	B	1	3	2	1/2	A/B	A	
EN 12209										
3	S	3	1	0	C	0	B	B	2	0

Variants



Standards



B-1917 panic lock for 2-leaf doors

Faceplate Material/Finish	Backset [mm]	Faceplate Shape	Faceplate 24 x 3 x 270 mm Non-handed	U-faceplate 24 x 6 x 2 x 268 mm Non-handed
Satin stainless steel	35	Square	B-19170-00-U-8	B-19170-10-U-8
	40	Square	B-19170-01-U-8	B-19170-11-U-8
	45	Square	B-19170-02-U-8	B-19170-12-U-8

B-1917 panic lock with CH-RC hole-type, for 2-leaf doors

Faceplate Material/Finish	Backset [mm]	Faceplate Shape	Faceplate 24 x 3 x 270 mm CH-RC hole-type Non-handed	U-faceplate 24 x 6 x 2 x 268 mm CH-RC hole-type Non-handed
Satin stainless steel	35	Square	B-19170-07-U-8	B-19170-13-U-8
	40	Square	B-19170-08-U-8	B-19170-14-U-8
	45	Square	B-19170-09-U-8	B-19170-15-U-8

B-1917 panic lock with monitoring contacts for 2-leaf doors

Faceplate Material/Finish	Backset [mm]	Faceplate Shape	Faceplate 24 x 3 x 270 mm Non-handed	U-faceplate 24 x 6 x 2 x 268 mm Non-handed
Satin stainless steel	35	Square	B-19170-19-U-8	B-19170-25-U-8
	40	Square	B-19170-20-U-8	B-19170-26-U-8
	45	Square	B-19170-21-U-8	B-19170-27-U-8

B-1917 panic lock with key-controlled latch holdback for 2-leaf doors

Faceplate Material/Finish	Backset [mm]	Faceplate Shape	Faceplate 24 x 3 x 270 mm Non-handed	U-faceplate 24 x 6 x 2 x 268 mm Non-handed
Satin stainless steel	35	Square	B-19170-34-U-8	B-19170-40-U-8
	40	Square	B-19170-35-U-8	B-19170-41-U-8
	45	Square	B-19170-36-U-8	B-19170-42-U-8

Additional options (available on request)

Faceplate		Follower [mm]	Backset [mm]	Special versions	Suitable shoot-bolt lock
Material/Finish	Width [mm]				
Stainless steel, gold-plated matt	-	-	50 55 60 65	-	B-1990

B-1920 EVP for 1-leaf doors

Faceplate Material/Finish	Backset [mm]	Faceplate Shape	Faceplate 24 x 3 x 270 mm Non-handed	U-faceplate 24 x 6 x 2 x 268 mm Non-handed
Satin stainless steel	35	Square	B-19200-00-U-8	B-19200-03-U-8
	40	Square	B-19200-01-U-8	B-19200-04-U-8
	45	Square	B-19200-02-U-8	B-19200-05-U-8

B-1920 EVP with CH-RC hole-type, for 1-leaf doors

Faceplate Material/Finish	Backset [mm]	Faceplate Shape	Faceplate 24 x 3 x 270 mm Non-handed	U-faceplate 24 x 6 x 2 x 268 mm Non-handed
Satin stainless steel	35	Square	B-19200-06-U-8	B-19200-09-U-8
	40	Square	B-19200-07-U-8	B-19200-10-U-8
	45	Square	B-19200-08-U-8	B-19200-11-U-8

B-1920 EVP with monitoring contacts for 1-leaf doors

Faceplate Material/Finish	Backset [mm]	Faceplate Shape	Faceplate 24 x 3 x 270 mm Non-handed	U-faceplate 24 x 6 x 2 x 268 mm Non-handed
Satin stainless steel	35	Square	B-19200-12-U-8	B-19200-15-U-8
	40	Square	B-19200-13-U-8	B-19200-16-U-8
	45	Square	B-19200-14-U-8	B-19200-17-U-8

Accessories to be ordered separately

Description	Order number	See page
Connecting cable	B 5490 0300	427

Supplementary products (to be ordered separately)

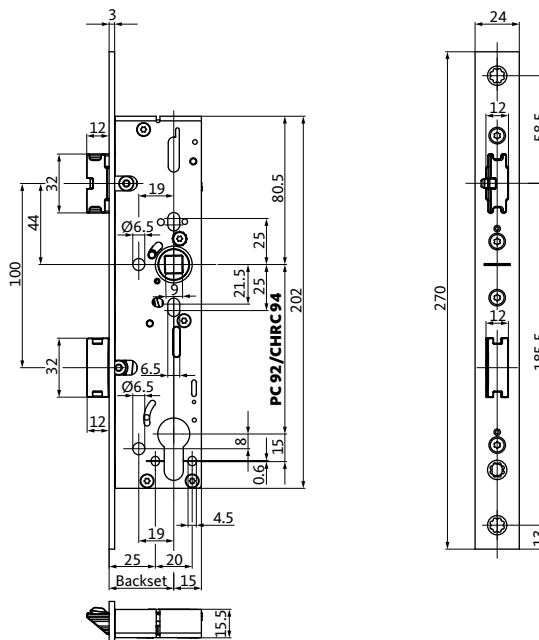
Description	From page
Escape door control system	462
Electric escape door strike	470

Additional options (available on request)

Faceplate		Follower [mm]	Backset [mm]	Special versions	Suitable strikers	
Material/Finish	Width [mm]				DIN LH	DIN RH
-	-	-	-	Top-locking (B-1930)	B-90000-70-L-8	B-90000-70-R-8
					B-90000-84-L-8	B-90000-84-R-8

B-1926 electrically-locking panic lock

for 1-leaf doors



Functional description

Panic function E

Self-locking panic lock for single-leaf doors with mechanical panic function on the interior lever handle. Opening the door is possible at any time. Mechanical access from outside using the key (via the latch lever).

For a detailed functional description see page 497.

Product description

B-1926 electrically-locking panic lock

- Approved to EN 12209 for fire rated doors
- Reversible latchbolt
- Satin stainless steel faceplate
- 9 mm follower
- Automatic latchbolt, 20 mm latch projection in locked position
- With latch lever
- Incl. latch for electric escape door strike
- 92 mm (PC), 94 mm (CH-RC) hole distance
- Optionally with monitoring contacts
- Optional with top-locking (B-1936)

Classification code

EN 12209

3	S	3	1	0	C	6	B	B	2	0
---	---	---	---	---	---	---	---	---	---	---

Variants



PC
hole-type



CH-RC
hole-type

Standards



B-1926 EVP for 1-leaf doors

Faceplate Material/Finish	Backset [mm]	Faceplate Shape	Faceplate 24 x 3 x 270 mm Non-handed	U-faceplate 24 x 6 x 2 x 268 mm Non-handed
Satin stainless steel	35	Square	B-19260-00-U-8	B-19260-03-U-8
	40	Square	B-19260-01-U-8	B-19260-04-U-8
	45	Square	B-19260-02-U-8	B-19260-05-U-8

B-1926 EVP with CH-RC hole-type, for 1-leaf doors

Faceplate Material/Finish	Backset [mm]	Faceplate Shape	Faceplate 24 x 3 x 270 mm Non-handed	U-faceplate 24 x 6 x 2 x 268 mm Non-handed
Satin stainless steel	35	Square	B-19260-06-U-8	B-19260-09-U-8
	40	Square	B-19260-07-U-8	B-19260-10-U-8
	45	Square	B-19260-08-U-8	B-19260-11-U-8

B-1926 EVP with monitoring contacts for 1-leaf doors

Faceplate Material/Finish	Backset [mm]	Faceplate Shape	Faceplate 24 x 3 x 270 mm Non-handed	U-faceplate 24 x 6 x 2 x 268 mm Non-handed
Satin stainless steel	35	Square	B-19260-12-U-8	B-19260-15-U-8
	40	Square	B-19260-13-U-8	B-19260-16-U-8
	45	Square	B-19260-14-U-8	B-19260-17-U-8

Accessories to be ordered separately

Description	Order number	See page
Connecting cable	B 5490 0300	427

Supplementary products (to be ordered separately)

Description	From page
Escape door control system	462
Electric escape door strike	470

Additional options (available on request)

Faceplate		Follower [mm]	Backset [mm]	Special versions	Suitable strikers	
Material/Finish	Width [mm]				DIN LH	DIN RH
-	-	-	-	Key-controlled latch holdback Top-locking (B-1936)	B-90000-70-L-8	B-90000-70-R-8
					B-90000-84-L-8	B-90000-84-R-8

B 1956 motor-driven panic lock for 1-leaf doors

Faceplate Material/Finish	Backset [mm]	Faceplate Shape	Faceplate 24 x 3 x 270 mm		U-faceplate 24 x 6 x 2 x 268 mm	
			DIN LH	DIN RH	DIN LH	DIN RH
Satin stainless steel	35	Square	B 1956 0003	B 1956 0004	B 1956 0503	B 1956 0504
	40	Square	B 1956 0005	B 1956 0006	B 1956 0505	B 1956 0506
	45	Square	B 1956 0007	B 1956 0008	B 1956 0507	B 1956 0508
	50	Square	B 1956 0009	B 1956 0010	–	–
	55	Square	B 1956 0011	B 1956 0012	–	–
	60	Square	B 1956 0013	B 1956 0014	–	–
	65	Square	B 1956 0015	B 1956 0016	–	–

Including B 5490 0300 connecting cable

B 1956 motor-driven panic lock with CH-RC hole-type, for 1-leaf doors

Faceplate Material/Finish	Backset [mm]	Faceplate Shape	Faceplate 24 x 3 x 270 mm CH-RC hole-type		U-faceplate 24 x 6 x 2 x 268 mm CH-RC hole-type	
			DIN LH	DIN RH	DIN LH	DIN RH
Satin stainless steel	35	Square	B 1956 0003 0001	B 1956 0004 0001	B 1956 0503 0002	B 1956 0504 0002
	40	Square	B 1956 0005 0001	B 1956 0006 0001	–	–
	45	Square	B 1956 0007 0001	B 1956 0008 0001	–	–

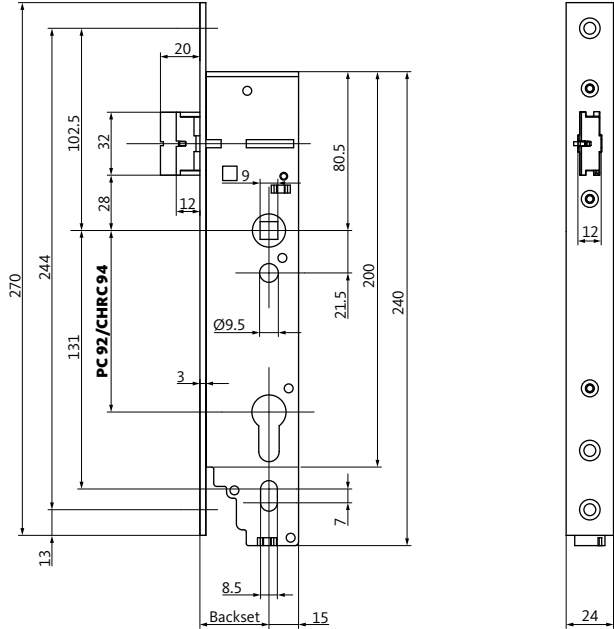
Including B 5490 0300 connecting cable

Accessories to be ordered separately

Description	Order number	See page
Emergency power buffer	B 5490 0301	426
Power supply unit (24 V DC/1 A)	B 5494 0004	473

B 1959 motor-driven panic lock

for 2-leaf doors



Functional description

Self-locking motor-driven panic lock for double-leaf doors with mechanical panic function on the interior lever handle. Opening the door is possible at any time. Mechanical access from outside using the key via the latch lever (panic function E) or the access is electrically controlled.

Product description

B 1959 motor-driven panic lock

- Approved to EN 179 (emergency exits), EN 1125 (panic doors) and EN 14846
- VDS C
- Satin stainless steel faceplate
- 9 mm follower
- With latch lever
- Automatic latchbolt, 20 mm latch projection in locked position
- PC 92 mm (CH-RC 94 mm)
- Including monitoring contacts

Classification code

EN 179

3	7	7	B	1	3	4	2	A	A
---	---	---	---	---	---	---	---	---	---

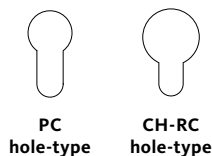
EN 1125

3	7	7	B	1	3	2	1/2	A/B	A
---	---	---	---	---	---	---	-----	-----	---

EN 14846

3	S	3	E	0	0	0	0	2
---	---	---	---	---	---	---	---	---

Variants



Standards



B 1959 motor-driven panic lock for 2-leaf doors

Faceplate Material/Finish	Backset [mm]	Faceplate Shape	Faceplate 24 x 3 x 270 mm		U-faceplate 24 x 6 x 2 x 268 mm	
			DIN LH	DIN RH	DIN LH	DIN RH
Satin stainless steel	35	Square	B 1959 0003	B 1959 0004	B 1959 0503	B 1959 0504
	40	Square	B 1959 0005	B 1959 0006	B 1959 0505	B 1959 0506
	45	Square	B 1959 0007	B 1959 0008	B 1959 0507	B 1959 0508
	50	Square	B 1959 0009	B 1959 0010	–	–
	55	Square	B 1959 0011	B 1959 0012	–	–
	60	Square	B 1959 0013	B 1959 0014	–	–
	65	Square	B 1959 0015	B 1959 0016	–	–

Including B 5490 0300 connecting cable

B 1959 motor-driven panic lock with CH-RC hole-type, for 2-leaf doors

Faceplate Material/Finish	Backset [mm]	Faceplate Shape	Faceplate 24 x 3 x 270 mm CH-RC hole-type		U-faceplate 24 x 6 x 2 x 268 mm CH-RC hole-type	
			DIN LH	DIN RH	DIN LH	DIN RH
Satin stainless steel	35	Square	B 1959 0003 0001	B 1959 0004 0001	B 1959 0503 0002	B 1959 0504 0001
	40	Square	B 1959 0005 0001	B 1959 0006 0001	–	–
	45	Square	B 1959 0007 0001	B 1959 0008 0001	B 1959 0507 0002	B 1959 0508 0001

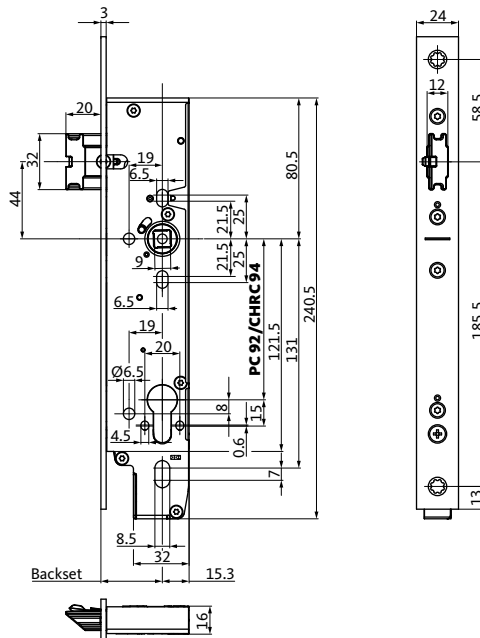
Including B 5490 0300 connecting cable

Accessories to be ordered separately

Description	Order number	See page
Emergency power buffer	B 5490 0301	426
Power supply unit (24 V DC/1 A)	B 5494 0004	473

B-1970 electrically coupled panic lock

for 1-leaf doors



Functional description

Self-locking electrically coupled lock for 1-leaf doors with mechanical panic function on the interior lever handle. Opening the door is possible at any time. The exterior lever handle is electrically coupled, i.e. access can be controlled electrically. Opening from outside by key (via the latch lever).

Product description

B-1970 electrically coupled panic lock

- Approved to EN 179 (emergency exits), EN 1125 (panic doors) and EN 14846
- VDS C
- Reversible latchbolt
- Switchable panic side outward/inward
- Satin stainless steel faceplate
- 9 mm split follower
- With latch lever
- 92 mm (PC), 94 mm (CH-RC) hole distance
- Integral control unit/12–24 V DC
- Switchable fail-secure/fail-safe setting options

Classification code

EN 179

3	7	7	B	1	3	4	2	A	B/D
---	---	---	---	---	---	---	---	---	-----

EN 1125

3	7	7	B	1	3	2	1/2	A/B	B
---	---	---	---	---	---	---	-----	-----	---

EN 14846

3	S	3	E	0	0	6	0	2
---	---	---	---	---	---	---	---	---

Variants



PC hole-type



CH-RC hole-type

Standards



B-1970 electrically coupled panic lock for 1-leaf doors

Faceplate Material/Finish	Backset [mm]	Faceplate Shape	Faceplate 24 x 3 x 270 mm Non-handed	U-faceplate 24 x 6 x 2 x 268 mm Non-handed
Satin stainless steel	35	Square	B-19700-00-U-8	B-19700-11-U-8
	40	Square	B-19700-02-U-8	B-19700-13-U-8
	45	Square	B-19700-04-U-8	B-19700-14-U-8

B-1970 electrically coupled panic lock with CH-RC-hole-type, for 1-leaf doors

Faceplate Material/Finish	Backset [mm]	Faceplate Shape	Faceplate 24 x 3 x 270 mm CH-RC hole-type Non-handed	U-faceplate 24 x 6 x 2 x 268 mm CH-RC hole-type Non-handed
Satin stainless steel	35	Square	B-19700-01-U-8	B-19700-12-U-8
	40	Square	B-19700-03-U-8	-
	45	Square	B-19700-05-U-8	-

Accessories to be ordered separately

Description	Order number	See page
Connecting cable	B 5490 0300	427
Power supply unit (24 V DC/1 A)	B 5494 0004	473
I/O module EK	B-54900-03-3-9	419

Additional options (available on request)

Faceplate		Follower [mm]	Backset [mm]	Special versions	Suitable strikers
Material/Finish	Width [mm]				
Stainless steel, gold-plated matt	-	-	50 55 60 65	-	B-90000-00-0-8 B-90000-24-0-8

B-1971 electrically coupled panic lock for 2-leaf doors

Faceplate Material/Finish	Backset [mm]	Faceplate Shape	Faceplate 24 x 3 x 270 mm Non-handed	U-faceplate 24 x 6 x 2 x 268 mm Non-handed
Satin stainless steel	35	Square	B-19710-00-U-8	B-19710-11-U-8
	40	Square	B-19710-02-U-8	B-19710-13-U-8
	45	Square	B-19710-04-U-8	B-19710-14-U-8

B-1971 electrically coupled panic lock with CH-RC hole-type, for 2-leaf doors

Faceplate Material/Finish	Backset [mm]	Faceplate Shape	Faceplate 24 x 3 x 270 mm CH-RC hole-type Non-handed	U-faceplate 24 x 6 x 2 x 268 mm CH-RC hole-type Non-handed
Satin stainless steel	35	Square	B-19710-01-U-8	B-19710-12-U-8
	40	Square	B-19710-03-U-8	-
	45	Square	B-19710-05-U-8	-

Accessories to be ordered separately

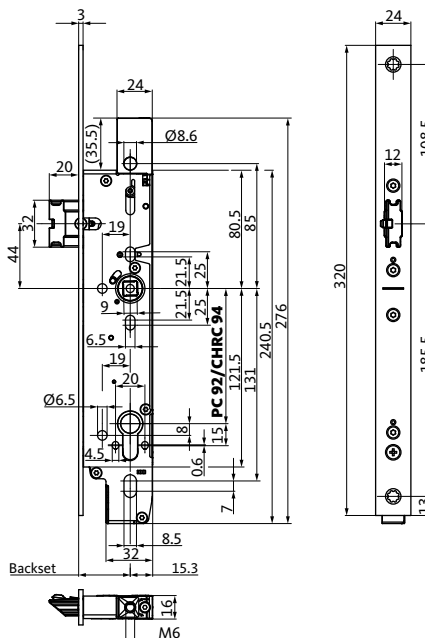
Description	Order number	See page
Connecting cable	B 5490 0300	427
Power supply unit (24 V DC/1 A)	B 5494 0004	473
I/O module EK	B-54900-03-3-9	419

Additional options (available on request)

Faceplate		Follower [mm]	Backset [mm]	Special versions	Suitable shoot-bolt lock
Material/Finish	Width [mm]				
Stainless steel, gold-plated matt	-	-	50 55 60 65	-	B-1990

B-1980 electrically coupled panic lock

for 1-leaf doors with top-locking



Functional description

Self-locking electrically coupled lock for 1-leaf doors features a mechanical panic function on the interior lever handle. Opening the door is possible at any time. The exterior lever handle is electrically coupled, i.e. access can be controlled electrically. Opening from outside by key (via the latch lever).

Product description

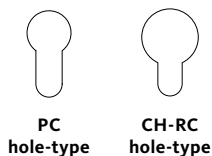
B-1980 electrically coupled panic lock with top-locking

- Approved to EN 179 (emergency exits), EN 1125 (panic doors) and EN 14846
- VDS C
- Reversible latchbolt
- Switchable panic side outward/inward
- Satin stainless steel faceplate
- 9 mm split follower
- With latch lever
- 92 mm (PC), 94 mm (CH-RC) hole distance
- Integral control unit/12–24 V DC
- Switchable fail-secure/fail-safe setting options

Classification code

EN 179										
3	7	7	B	1	3	4	2	A	B/D	
EN 1125										
3	7	7	B	1	3	2	1/2	A/B	B	
EN 14846										
3	S	3	E	0	0	6	0	2		

Variants



Standards



B-1980 electrically coupled panic lock with top-locking for 1-leaf doors

Faceplate Material/Finish	Backset [mm]	Faceplate Shape	Faceplate 24 x 3 x 320 mm Non-handed	U-faceplate 24 x 6 x 2 x 318 mm Non-handed
Satin stainless steel	35	Square	B-19800-00-U-8	B-19800-06-U-8
	40	Square	B-19800-02-U-8	-
	45	Square	B-19800-03-U-8	-

Accessories to be ordered separately

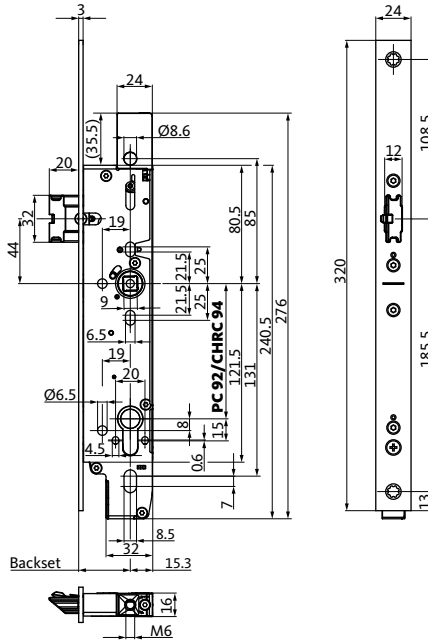
Description	Order number	See page
Connecting cable	B 5490 0300	427
Power supply unit (24 V DC/1 A)	B 5494 0004	473
I/O module EK	B-54900-03-3-9	419

Additional options (available on request)

Faceplate		Follower [mm]	Backset [mm]	Special versions	Suitable strikers
Material/Finish	Width [mm]				
Stainless steel, gold-plated matt	-	-	50 55 60 65	CH-RC hole-type	B-90000-00-0-8 B-90000-24-0-8

B-1981 electrically coupled panic lock

for 2-leaf doors with top-locking



Functional description

Self-locking electrically coupled lock for 2-leaf doors with mechanical panic function on the interior lever handle. Opening the door is possible at any time. The exterior lever handle is electrically coupled, i.e. access can be controlled electrically. Opening from outside by key (via the latch lever).

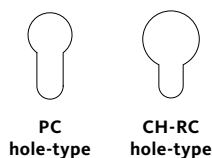
Product description

B-1981 electrically coupled panic lock with top-locking

- Approved to EN 179 (emergency exits), EN 1125 (panic doors) and EN 14846
- VDS C
- Reversible latchbolt
- Switchable panic side outward/inward
- Satin stainless steel faceplate
- 9 mm split follower
- With latch lever
- 92 mm (PC), 94 mm (CH-RC) hole distance
- Integral control unit/12–24 V DC
- Switchable fail-secure/fail-safe setting options

Classification code									
EN 179									
3	7	7	B	1	3	4	2	A	A
EN 1125									
3	7	7	B	1	3	2	1/2	A/B	A
EN 14846									
3	S	3	E	0	0	0	0	2	

Variants



Standards



B-1981 electrically coupled panic lock with top-locking for 2-leaf doors

Faceplate Material/Finish	Backset [mm]	Faceplate Shape	Faceplate 24 x 3 x 320 mm Non-handed
Satin stainless steel	35	Square	B-19810-00-U-8
	40	Square	B-19810-02-U-8
	45	Square	B-19810-03-U-8

Accessories to be ordered separately

Description	Order number	See page
Connecting cable	B 5490 0300	427
Power supply unit (24 V DC/1 A)	B 5494 0004	473
I/O module EK	B-54900-03-3-9	419

Additional options (available on request)

Faceplate		Follower [mm]	Backset [mm]	Special versions	Suitable shoot-bolt lock
Material/Finish	Width [mm]				
Stainless steel, gold-plated matt	–	–	50 55 60 65	CH-RC hole-type	B-1990

B-1990 shoot-bolt lock

Faceplate Material/Finish	Backset [mm]	Faceplate Shape	Faceplate 24 x 3 x 270 mm Non-handed	U-faceplate 24 x 6 x 2 x 268 mm Non-handed
Satin stainless steel	35 (34)	Square	B-19900-01-0-8	B-19900-11-0-8
	40 (39)	Square	B-19900-02-0-8	B-19900-12-0-8
	45 (44)	Square	B-19900-03-0-8	B-19900-13-0-8
	50 (49)	Square	B-19900-04-0-8	B-19900-14-0-8
	55 (54)	Square	B-19900-05-0-8	B-19900-15-0-8
	60 (59)	Square	B-19900-06-0-8	B-19900-16-0-8
	65 (64)	Square	B-19900-07-0-8	B-19900-17-0-8
	70 (69)	Square	B-19900-08-0-8	B-19900-18-0-8
	80 (79)	Square	B-19900-09-0-8	B-19900-19-0-8

B-1990 shoot-bolt lock with latchbolt monitoring

Faceplate Material/Finish	Backset [mm]	Faceplate Shape	Faceplate 24 x 3 x 270 mm Non-handed	U-faceplate 24 x 6 x 2 x 268 mm Non-handed
Satin stainless steel	35	Square	B-19900-50-0-8	B-19900-55-0-8
	40	Square	B-19900-51-0-8	-
	45	Square	B-19900-52-0-8	-

B 5490 0300 connecting cable must be ordered separately.

Additional options (available on request)

Faceplate		Follower [mm]	Backset [mm]	Special versions	Suitable locks	
Material/Finish	Width [mm]				B-1901 B-1903 B-1907	B-1911 B-1913 B-1917
Stainless steel, gold-plated matt	-	-	-	-	SECURITY 1911 SECURITY 1913 SECURITY 1917 SECURITY 1971	

B-1993 motor-driven shoot-bolt lock

Faceplate Material/Finish	Backset [mm]	Faceplate Shape	Faceplate 24 x 3 x 410 mm Non-handed
Satin stainless steel	35	Square	B-19930-00-0-8
	40	Square	B-19930-01-0-8
	45	Square	B-19930-02-0-8
	65	Square	B-19930-06-0-8

B-1993 motor-driven shoot-bolt lock

Faceplate Material/Finish	Backset [mm]	Faceplate Shape	U-faceplate 24 x 6 x 2 x 408 mm Non-handed
Satin stainless steel	34	Square	B-19930-12-0-8
	39	Square	B-19930-11-0-8
	44	Square	B-19930-10-0-8

Accessories to be ordered separately

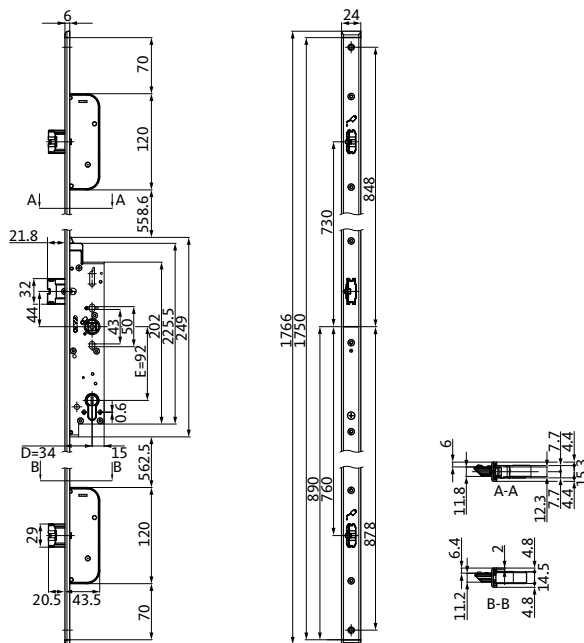
Description	Order number	See page
Control unit for motor-driven lock	B-54900-01-3-9	418
SHEV control unit for motor-driven locks (for SHEV systems)	B-54900-01-4-9	418
Connecting cable	B 5490 0300	427
Power supply unit (24 V DC/4.2 A)	B 5570 0401	473
Emergency power buffer for fire rated doors	B-54903-23-3-9	418
DIN rail enclosure for control unit, emergency power buffer, power supply unit	B 5495 0251	418

Additional options (available on request)

Faceplate		Follower [mm]	Backset [mm]	Special versions	Suitable locks	
Material/Finish	Special faceplate				B-1901 B-1903 B-1907	B-1911 B-1913 B-1917
Stainless steel, gold-plated matt	Lipped faceplate	-	-	-	SECURITY 1911 SECURITY 1913 SECURITY 1919 SECURITY 1967 SECURITY 1971	

SECURY 1918

for 1-leaf doors



Functional description

Standard function

Passage possible from inside by operating the lever handle. Mechanical access from outside using the key (via the latch lever).

Switching function

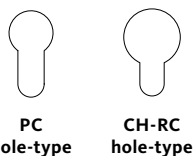
The interior lever handle is decoupled by turning the key in locking direction. When the lever handle is set to idle, the door can only be opened from the inside using the key. When closing, the door is automatically triple-locked at all times.

Product description

SECURY 1918

- Reversible latchbolt
- Satin stainless steel faceplate
- 9 mm follower
- Triple automatic latchbolt, 20 mm latch/deadbolt projection in locked position
- 92 mm (PC), 94 mm (CH-RC) hole distance
- Optionally with monitoring contacts

Variants



Standards



1918 SECURY for 1-leaf doors

Faceplate Material/Finish	Backset [mm]	Faceplate Shape	Faceplate 24 x 3 x 1750 mm Non-handed	U-faceplate 24 x 6 x 2 x 1750 mm Non-handed
Satin stainless steel	35	Square	6-B1918-11-L-8	6-B1918-14-L-8
	40	Square	6-B1918-12-L-8	6-B1918-15-L-8
	45	Square	6-B1918-13-L-8	6-B1918-16-L-8

Accessories to be ordered separately

Description	Order number	See page
A-opener kit (including 6 m connecting cable)	K-18153-01-0-0	427

Additional options (available on request)

Faceplate		Follower [mm]	Backset [mm]	Suitable strikers	
Material/Finish	Width [mm]				
-	-	-	-	9-43501 6-36048 6-33616 6-33617	B 9000 0911 B 9000 0914

SECURY 1910 for 1-leaf doors

Faceplate Material/Finish	Backset [mm]	Faceplate Shape	Faceplate 24 x 3 x 1750 mm Non-handed	U-faceplate 24 x 6 x 2 x 1750 mm Non-handed
Satin stainless steel	35	Square	6-B1910-04-L-8	6-B1910-01-L-8
	40	Square	6-B1910-14-L-8	6-B1910-13-L-8
	45	Square	6-B1910-02-L-8	6-B1910-06-L-8

SECURY 1910 with CH-RC hole-type, for 1-leaf doors

Faceplate Material/Finish	Backset [mm]	Faceplate Shape	Faceplate 24 x 3 x 1750 mm CH-RC hole-type Non-handed	U-faceplate 24 x 6 x 2 x 1750 mm CH-RC hole-type Non-handed
Satin stainless steel	35	Square	6-B1910-17-L-8	6-B1910-11-L-8
	40	Square	6-B1910-19-L-8	6-B1910-16-L-8
	45	Square	6-B1910-20-L-8	6-B1910-21-L-8

SECURY 1910 for 1-leaf doors and door handle height at 850 mm

Faceplate Material/Finish	Backset [mm]	Faceplate Shape	Faceplate 24 x 3 x 1750 mm Non-handed	U-faceplate 24 x 6 x 2 x 1750 mm Non-handed
Satin stainless steel	34	Square	-	6-B1910-AD-L-8
	35	Square	6-B1910-AC-L-8	-
	40	Square	6-B1910-AA-L-8	-

Accessories to be ordered separately

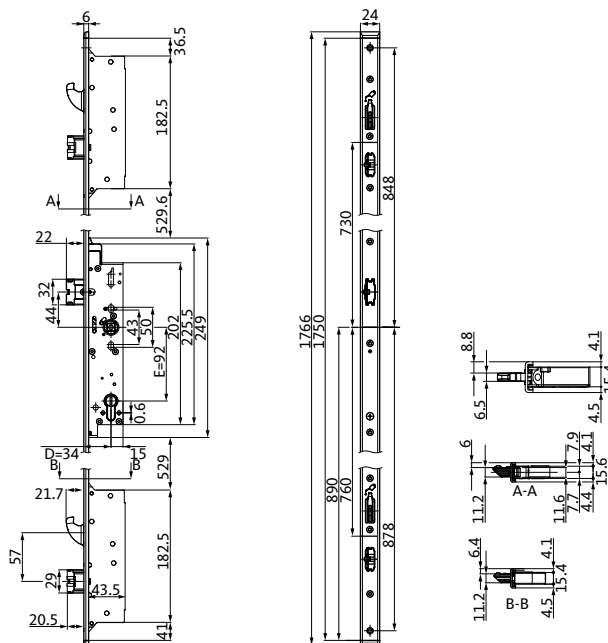
Description	Order number	See page
A-opener kit (including 6 m connecting cable)	K-18153-01-0-0	427

Additional options (available on request)

Faceplate		Follower [mm]	Backset [mm]	Suitable strikers	
Material/Finish	Width [mm]				
-	-	-	-	9-43501 6-36048 6-33616 6-33617	B 9000 0911 B 9000 0914

SECURY 1910 ADR

for 1-leaf doors



Functional description

Panic function B

Self-locking panic lock for single-leaf doors with mechanical panic function on the interior lever handle. Opening the door is possible at any time. The exterior lever handle can be engaged or disengaged mechanically using the key.

For a detailed functional description see page 494.

Product description

SECURY 1910 ADR

- Approved to EN 179 (emergency exits), EN 1125 (panic doors)
- Reversible latchbolt
- Switchable panic side outward/inward
- Satin stainless steel faceplate
- 9 mm split follower
- Triple automatic latchbolt with two additional hook bolts, 20 mm latch/deadbolt projection in locked position
- 92 mm (PC), 94 mm (CH-RC) hole distance
- Optionally with monitoring contacts

Classification code

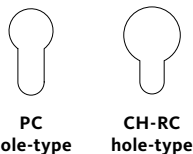
EN 179

3	7	7	B	1	3	4	2	A	B/D
---	---	---	---	---	---	---	---	---	-----

EN 1125

3	7	7	B	1	3	2	1/2	A/B	B
---	---	---	---	---	---	---	-----	-----	---

Variants



Standards



SECURY 1910 ADR (automatic DR bolt) for 1-leaf doors

Faceplate Material/Finish	Backset [mm]	Faceplate Shape	Faceplate 24 x 3 x 1750 mm Non-handed	U-faceplate 24 x 6 x 2 x 1750 mm Non-handed
Satin stainless steel	35	Square	6-B1910-MC-L-8	6-B1910-MA-L-8
	40	Square	6-B1910-MG-L-8	6-B1910-MF-L-8
	45	Square	6-B1910-MB-L-8	6-B1910-MD-L-8

SECURY 1910 ADR (automatic DR bolt) with CH-RC hole-type, for 1-leaf doors

Faceplate Material/Finish	Backset [mm]	Faceplate Shape	Faceplate 24 x 3 x 1750 mm CH-RC hole-type Non-handed	U-faceplate 24 x 6 x 2 x 1750 mm CH-RC hole-type Non-handed
Satin stainless steel	35	Square	6-B1910-MJ-L-8	6-B1910-ME-L-8
	40	Square	6-B1910-ML-L-8	6-B1910-MH-L-8
	45	Square	6-B1910-MM-L-8	6-B1910-MN-L-8

Accessories to be ordered separately

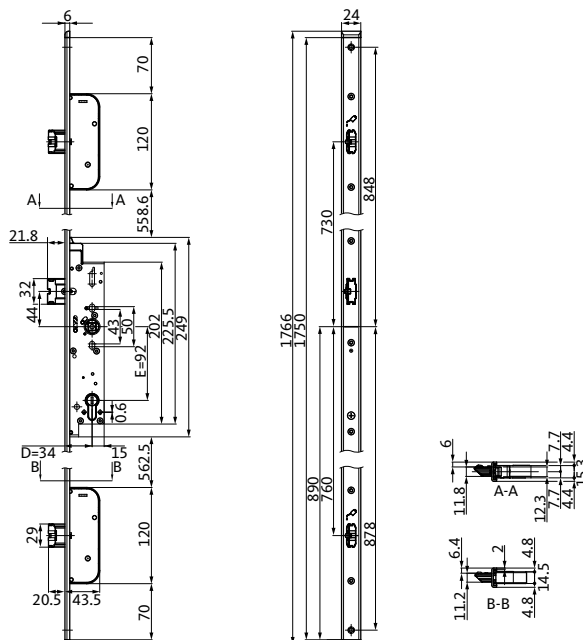
Description	Order number	See page
A-opener kit (including 6 m connecting cable)	K-18153-01-0-0	427

Additional options (available on request)

Faceplate		Follower [mm]	Backset [mm]	Suitable strikers
Material/Finish	Width [mm]			
-	-	-	-	9-43501 6-33616 6-40007

SECURY 1911

for 2-leaf doors



Functional description

Panic function B

Self-locking panic lock for double-leaf doors with mechanical panic function on the interior lever handle. Opening the door is possible at any time. The exterior lever handle can be engaged or disengaged mechanically using the key.

For a detailed functional description see page 494.

Product description

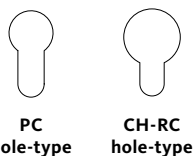
SECURY 1911

- Approved to EN 179 (emergency exits), EN 1125 (panic doors)
- Reversible latchbolt
- Switchable panic side outward/inward
- Satin stainless steel faceplate
- 9 mm split follower
- Triple automatic latchbolt, 20 mm latch/deadbolt projection in locked position
- 92 mm (PC), 94 mm (CH-RC) hole distance
- Optionally with monitoring contacts

Classification code

EN 179									
3	7	7	B	1	3	4	2	A	A
EN 1125									
3	7	7	B	1	3	2	1/2	A/B	A

Variants



Standards



SECURY 1911 for 2-leaf doors

Faceplate Material/Finish	Backset [mm]	Faceplate Shape	Faceplate 24 x 3 x 1750 mm Non-handed	U-faceplate 24 x 6 x 2 x 1750 mm Non-handed
Satin stainless steel	35	Square	6-B1911-11-L-8	6-B1911-01-L-8
	40	Square	6-B1911-12-L-8	6-B1911-04-L-8
	45	Square	6-B1911-06-L-8	6-B1911-03-L-8

SECURY 1911 with CH-RC hole-type, for 2-leaf doors

Faceplate Material/Finish	Backset [mm]	Faceplate Shape	Faceplate 24 x 3 x 1750 mm CH-RC hole-type Non-handed	U-faceplate 24 x 6 x 2 x 1750 mm CH-RC hole-type Non-handed
Satin stainless steel	35	Square	6-B1911-16-L-8	6-B1911-05-L-8
	40	Square	6-B1911-19-L-8	6-B1911-13-L-8
	45	Square	6-B1911-20-L-8	6-B1911-18-L-8

SECURY 1911 for 2-leaf doors and door handle height at 850 mm

Faceplate Material/Finish	Backset [mm]	Faceplate Shape	Faceplate 24 x 3 x 1750 mm Non-handed	U-faceplate 24 x 6 x 2 x 1750 mm Non-handed
Satin stainless steel	34	Square	-	6-B1911-77-L-8
	40	Square	6-B1911-76-L-8	-

Accessories to be ordered separately

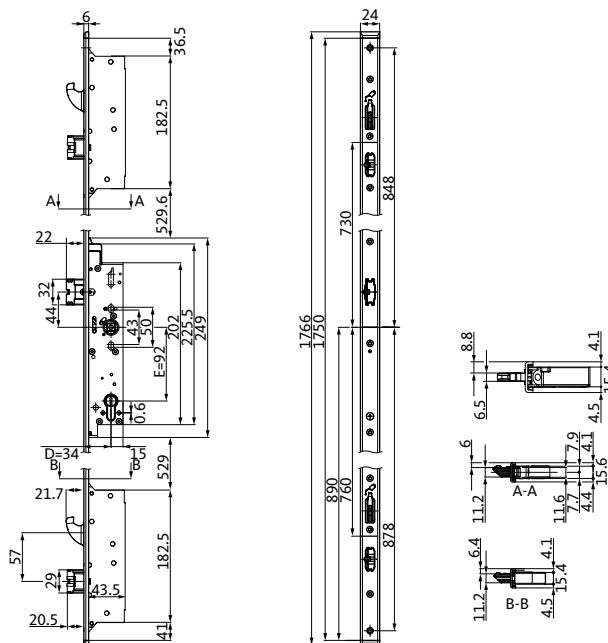
Description	Order number	See page
A-opener kit (including 6 m connecting cable)	K-18153-01-0-0	427

Additional options (available on request)

Faceplate		Follower	Backset	Suitable shoot-bolt lock
Material/Finish	Width [mm]	[mm]	[mm]	
-	-	-	-	B-1990

SECURY 1911 ADR

for 2-leaf doors



Functional description

Panic function B

Self-locking panic lock for double-leaf doors with mechanical panic function on the interior lever handle. Opening the door is possible at any time. The exterior lever handle can be engaged or disengaged mechanically using the key.

For a detailed functional description see page 494.

Product description

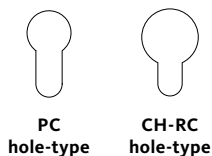
SECURY 1911 ADR

- Approved to EN 179 (emergency exits), EN 1125 (panic doors)
- Reversible latchbolt
- Switchable panic side outward/inward
- Satin stainless steel faceplate
- 9 mm split follower
- Triple automatic latchbolt with two additional hook bolts, 20 mm latch/deadbolt projection in locked position
- 92 mm (PC), 94 mm (CH-RC) hole distance
- Optionally with monitoring contacts

Classification code

EN 179									
3	7	7	B	1	3	4	2	A	A
EN 1125									
3	7	7	B	1	3	2	1/2	A/B	A

Variants



Standards



SECURY 1911 ADR (automatic DR bolt) for 2-leaf doors

Faceplate Material/Finish	Backset [mm]	Faceplate Shape	Faceplate 24 x 3 x 1750 mm Non-handed	U-faceplate 24 x 6 x 2 x 1750 mm Non-handed
Satin stainless steel	35	Square	6-B1911-MB-L-8	6-B1911-ME-L-8
	40	Square	6-B1911-MC-L-8	6-B1911-MF-L-8
	45	Square	6-B1911-MD-L-8	6-B1911-MG-L-8

Accessories to be ordered separately

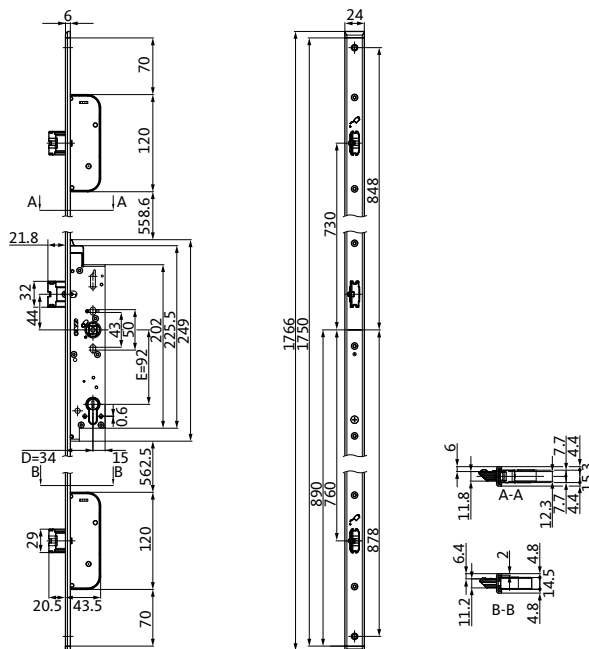
Description	Order number	See page
A-opener kit (including 6 m connecting cable)	K-18153-01-0-0	427

Additional options (available on request)

Faceplate		Follower [mm]	Backset [mm]	Suitable shoot-bolt lock
Material/Finish	Width [mm]			
-	-	-	-	B-1990

SECURY 1912

for 1-leaf doors



Functional description

Panic function C

Self-locking panic lock for single-leaf doors with mechanical panic function on the interior lever handle. Opening the door is possible at any time. The exterior lever handle is always set to idle. The door can only be opened by operating the key and the lever handle. When the key is removed, the exterior lever handle reverts automatically to idle.

For a detailed functional description see page 495.

Product description

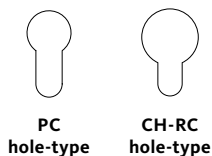
SECURY 1912

- Approved to EN 179 (emergency exits), EN 1125 (panic doors)
- Reversible latchbolt
- Switchable panic side outward/inward
- Satin stainless steel faceplate
- 9 mm split follower
- Triple automatic latchbolt, 20 mm latch/deadbolt projection in locked position
- 92 mm (PC), 94 mm (CH-RC) hole distance
- Optionally with monitoring contacts

Classification code

EN 179										
3	7	7	B	1	3	4	2	A	B/D	
EN 1125										
3	7	7	B	1	3	2	1/2	A/B	B	

Variants



Standards



SECURY 1912 for 1-leaf doors

Faceplate Material/Finish	Backset [mm]	Faceplate Shape	Faceplate 24 x 3 x 1750 mm Non-handed	U-faceplate 24 x 6 x 2 x 1750 mm Non-handed
Satin stainless steel	34	Square	-	6-B1912-01-L-8

Accessories to be ordered separately

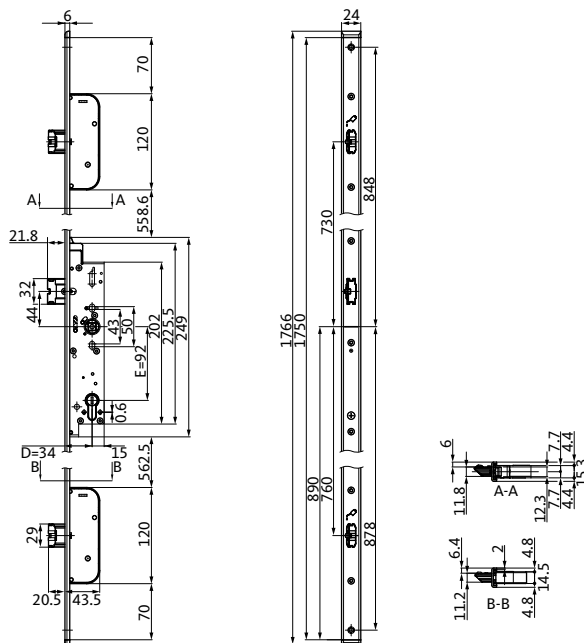
Description	Order number	See page
A-opener kit (including 6 m connecting cable)	K-18153-01-0-0	427

Additional options (available on request)

Faceplate		Follower [mm]	Backset [mm]	Suitable strikers	
Material/Finish	Width [mm]				
-	-	-	-	9-43501 6-36048 6-33616 6-33617	B 9000 0911 B 9000 0914

SECURY 1913

for 2-leaf doors



Functional description

Panic function C

Self-locking panic lock for double-leaf doors with mechanical panic function on the interior lever handle. Opening the door is possible at any time. The exterior lever handle is always set to idle. The door can only be opened by operating the key and the lever handle. When the key is removed, the exterior lever handle reverts automatically to idle.

For a detailed functional description see page 495.

Product description

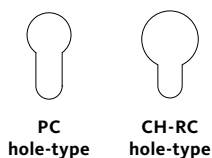
SECURY 1913

- Approved to EN 179 (emergency exits), EN 1125 (panic doors)
- Reversible latchbolt
- Switchable panic side outward/inward
- Satin stainless steel faceplate
- 9 mm split follower
- Triple automatic latchbolt, 20 mm latch/deadbolt projection in locked position
- 92 mm (PC), 94 mm (CH-RC) hole distance
- Optionally with monitoring contacts

Classification code

EN 179									
3	7	7	B	1	3	4	2	A	A
EN 1125									
3	7	7	B	1	3	2	1/2	A/B	AA

Variants



Standards



1913 SECURY for 2-leaf doors

Faceplate Material/Finish	Backset [mm]	Faceplate Shape	Faceplate 24 x 3 x 1750 mm Non-handed	U-faceplate 24 x 6 x 2 x 1750 mm Non-handed
Satin stainless steel	34	Square	-	6-B1913-01-L-8

Accessories to be ordered separately

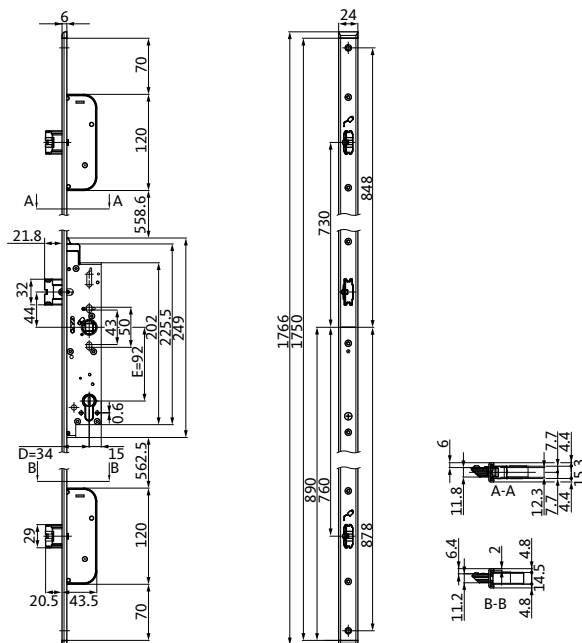
Description	Order number	See page
A-opener kit (including 6 m connecting cable)	K-18153-01-0-0	427

Additional options (available on request)

Faceplate		Follower [mm]	Backset [mm]	Suitable shoot-bolt lock
Material/Finish	Width [mm]			
-	-	-	-	B-1990

SECURY 1916

for 1-leaf doors



Functional description

Panic function E

Self-locking panic lock for single-leaf doors with mechanical panic function on the interior lever handle. Opening the door is possible at any time. Mechanical access from outside using the key (via the latch lever).

For a detailed functional description see page 497.

Product description

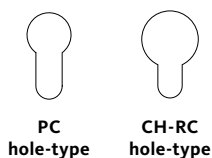
SECURY 1916

- Approved to EN 179 (emergency exits), EN 1125 (panic doors)
- Reversible latchbolt
- Satin stainless steel faceplate
- 9 mm follower
- Triple automatic latchbolt, 20 mm latch/deadbolt projection in locked position
- With latch lever
- 92 mm (PC), 94 mm (CH-RC) hole distance
- Optionally with monitoring contacts

Classification code

EN 179										
3	7	7	B	1	3	4	2	A	B/D	
EN 1125										
3	7	7	B	1	3	2	1/2	A/B	B	

Variants



Standards



SECURY 1916 for 1-leaf doors

Faceplate Material/Finish	Backset [mm]	Faceplate Shape	Faceplate 24 x 3 x 1750 mm Non-handed	U-faceplate 24 x 6 x 2 x 1750 mm Non-handed
Satin stainless steel	35	Square	6-B1916-04-L-8	6-B1916-01-L-8
	40	Square	6-B1916-14-L-8	6-B1916-09-L-8
	45	Square	6-B1916-08-L-8	6-B1916-06-L-8

SECURY 1916 with lock monitoring for 1-leaf doors

Faceplate Material/Finish	Backset [mm]	Faceplate Shape	Faceplate 24 x 3 x 1750 mm Non-handed	U-faceplate 24 x 6 x 2 x 1750 mm Non-handed
Satin stainless steel	35	Square	6-B1916-30-L-8	6-B1916-28-L-8
	40	Square	-	6-B1916-43-L-8
	45	Square	6-B1916-02-L-8	-

SECURY 1916 with key-controlled latch holdback for 1-leaf doors

Faceplate Material/Finish	Backset [mm]	Faceplate Shape	Faceplate 24 x 3 x 1750 mm Non-handed	U-faceplate 24 x 6 x 2 x 1750 mm Non-handed
Satin stainless steel	35	Square	6-B1916-35-L-8	6-B1916-05-L-8
	40	Square	6-B1916-48-L-8	6-B1916-03-L-8
	45	Square	6-B1916-13-L-8	6-B1916-10-L-8

SECURY 1916 with CH-RC hole-type, for 1-leaf doors

Faceplate Material/Finish	Backset [mm]	Faceplate Shape	Faceplate 24 x 3 x 1750 mm CH-RC hole-type Non-handed	U-faceplate 24 x 6 x 2 x 1750 mm CH-RC hole-type Non-handed
Satin stainless steel	35	Square	6-B1916-27-L-8	6-B1916-11-L-8
	40	Square	6-B1916-12-L-8	6-B1916-16-L-8
	45	Square	6-B1916-49-L-8	6-B1916-39-L-8

SECURY 1910 for 1-leaf doors and door handle height at 850 mm

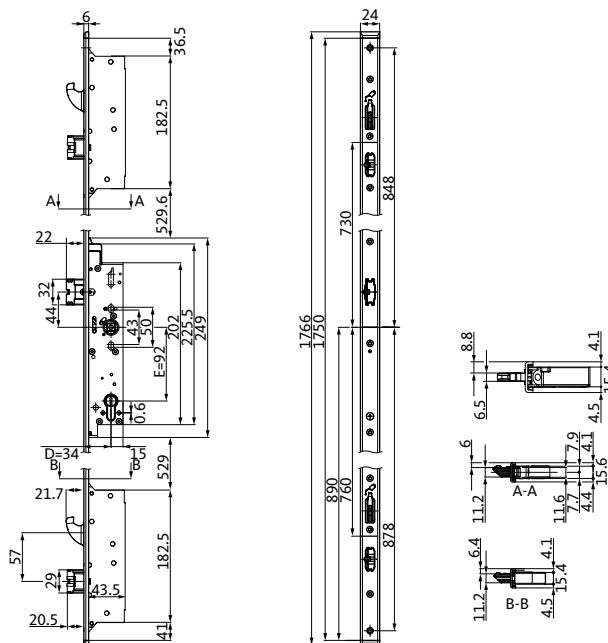
Faceplate Material/Finish	Backset [mm]	Faceplate Shape	Faceplate 24 x 3 x 1750 mm Non-handed	U-faceplate 24 x 6 x 2 x 1750 mm Non-handed
Satin stainless steel	34	Square	-	6-B1916-DM-L-8
	44	Square	-	6-B1916-DN-L-8
	35	Square	6-B1916-DL-L-8	-
	40	Square	6-B1916-DI-L-8	-

Accessories to be ordered separately

Description	Order number	See page
A-opener kit (including 6 m connecting cable)	K-18153-01-0-0	427
Connecting cable for lock monitoring	B 5490 0300	427

SECURY 1916 ADR

for 1-leaf doors



Functional description

Panic function E

Self-locking panic lock for single-leaf doors with mechanical panic function on the interior lever handle. Opening the door is possible at any time. Mechanical access from outside using the key (via the latch lever).

For a detailed functional description see page 497.

Product description

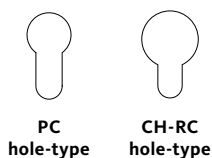
SECURY 1916 ADR

- Approved to EN 179 (emergency exits), EN 1125 (panic doors)
- Reversible latchbolt
- Satin stainless steel faceplate
- 9 mm follower
- Triple automatic latchbolt with two additional hook bolts, 20 mm latch/deadbolt projection in locked position
- With latch lever
- 92 mm (PC), 94 mm (CH-RC) hole distance
- Optionally with monitoring contacts

Classification code

EN 179										
3	7	7	B	1	3	4	2	A	B/D	
EN 1125										
3	7	7	B	1	3	2	1/2	A/B	B	

Variants



Standards



SECURY 1916 ADR (automatic DR bolt) for 1-leaf doors

Faceplate Material/Finish	Backset [mm]	Faceplate Shape	Faceplate 24 x 3 x 1750 mm Non-handed	U-faceplate 24 x 6 x 2 x 1750 mm Non-handed
Satin stainless steel	35	Square	6-B1916-MC-L-8	6-B1916-MA-L-8
	40	Square	6-B1916-MK-L-8	6-B1916-MG-L-8
	45	Square	6-B1916-MF-L-8	6-B1916-ME-L-8

SECURY 1916 ADR (automatic DR bolt) with key-controlled latch holdback for 1-leaf doors

Faceplate Material/Finish	Backset [mm]	Faceplate Shape	Faceplate 24 x 3 x 1750 mm Non-handed	U-faceplate 24 x 6 x 2 x 1750 mm Non-handed
Satin stainless steel	35	Square	-	6-B1916-MD-L-8
	40	Square	-	6-B1916-MB-L-8
	45	Square	-	-

SECURY 1916 ADR (automatic DR bolt) with CH-RC hole-type, for 1-leaf doors

Faceplate Material/Finish	Backset [mm]	Faceplate Shape	Faceplate 24 x 3 x 1750 mm CH-RC hole-type Non-handed	U-faceplate 24 x 6 x 2 x 1750 mm CH-RC hole-type Non-handed
Satin stainless steel	35	Square	-	6-B1916-MH-L-8
	40	Square	6-B1916-MJ-L-8	6-B1916-ML-L-8
	45	Square	-	-

Accessories to be ordered separately

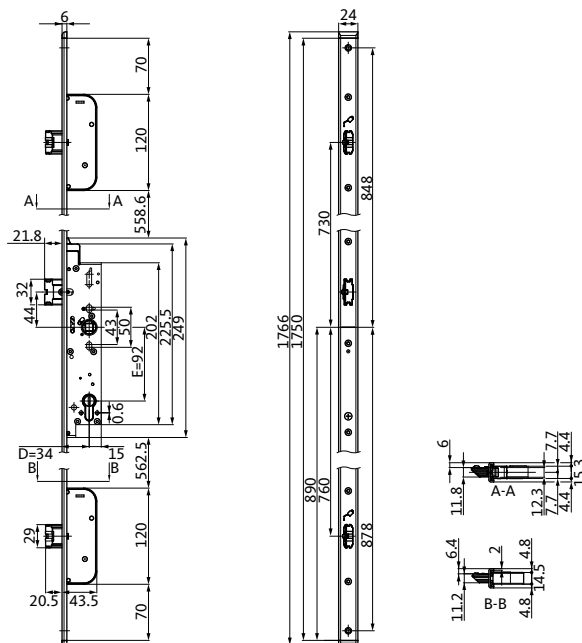
Description	Order number	See page
A-opener kit (including 6 m connecting cable)	K-18153-01-0-0	427

Additional options (available on request)

Faceplate		Follower [mm]	Backset [mm]	Suitable strikers
Material/Finish	Width [mm]			
-	-	-	-	9-43501 6-33616 6-40007

SECURY 1917

for 2-leaf doors



Functional description

Panic function E

Self-locking panic lock for double-leaf doors with mechanical panic function on the interior lever handle. Opening the door is possible at any time. Mechanical access from outside using the key (via the latch lever).

For a detailed functional description see page 497.

Product description

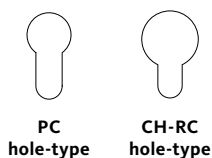
SECURY 1917

- Approved to EN 179 (emergency exits), EN 1125 (panic doors)
- Reversible latchbolt
- Satin stainless steel faceplate
- 9 mm follower
- Triple automatic latchbolt, 20 mm latch/deadbolt projection in locked position
- With latch lever
- 92 mm (PC), 94 mm (CH-RC) hole distance
- Optionally with monitoring contacts

Classification code

EN 179									
3	7	7	B	1	3	4	2	A	A
EN 1125									
3	7	7	B	1	3	2	1/2	A/B	A

Variants



Standards



SECURY 1917 for 2-leaf doors

Faceplate Material/Finish	Backset [mm]	Faceplate Shape	Faceplate 24 x 3 x 1750 mm Non-handed	U-faceplate 24 x 6 x 2 x 1750 mm Non-handed
Satin stainless steel	35	Square	6-B1917-08-L-8	6-B1917-01-L-8
	40	Square	6-B1917-16-L-8	6-B1917-07-L-8
	45	Square	6-B1917-10-L-8	6-B1917-03-L-8

SECURY 1917 with lock monitoring for 2-leaf doors

Faceplate Material/Finish	Backset [mm]	Faceplate Shape	Faceplate 24 x 3 x 1750 mm Non-handed	U-faceplate 24 x 6 x 2 x 1750 mm Non-handed
Satin stainless steel	35	Square	6-B1917-23-L-8	6-B1917-20-L-8
	40	Square	-	-
	45	Square	6-B1917-33-L-8	6-B1917-21-L-8

SECURY 1917 with key-controlled latch holdback for 2-leaf doors

Faceplate Material/Finish	Backset [mm]	Faceplate Shape	Faceplate 24 x 3 x 1750 mm Non-handed	U-faceplate 24 x 6 x 2 x 1750 mm Non-handed
Satin stainless steel	35	Square	6-B1917-31-L-8	6-B1917-02-L-8
	40	Square	6-B1917-25-L-8	6-B1917-06-L-8
	45	Square	6-B1917-11-L-8	6-B1917-05-L-8

SECURY 1917 with CH-RC hole-type, for 2-leaf doors

Faceplate Material/Finish	Backset [mm]	Faceplate Shape	Faceplate 24 x 3 x 1750 mm CH-RC hole-type Non-handed	U-faceplate 24 x 6 x 2 x 1750 mm CH-RC hole-type Non-handed
Satin stainless steel	35	Square	6-B1917-22-L-8	6-B1917-24-L-8
	40	Square	6-B1917-26-L-8	-
	45	Square	6-B1917-32-L-8	6-B1917-27-L-8

SECURY 1917 for 2-leaf doors and door handle height at 850 mm

Faceplate Material/Finish	Backset [mm]	Faceplate Shape	Faceplate 24 x 3 x 1750 mm Non-handed	U-faceplate 24 x 6 x 2 x 1750 mm Non-handed
Satin stainless steel	34	Square	-	6-B1917-BR-L-8
	40	Square	6-B1917-BQ-L-8	-

Accessories to be ordered separately

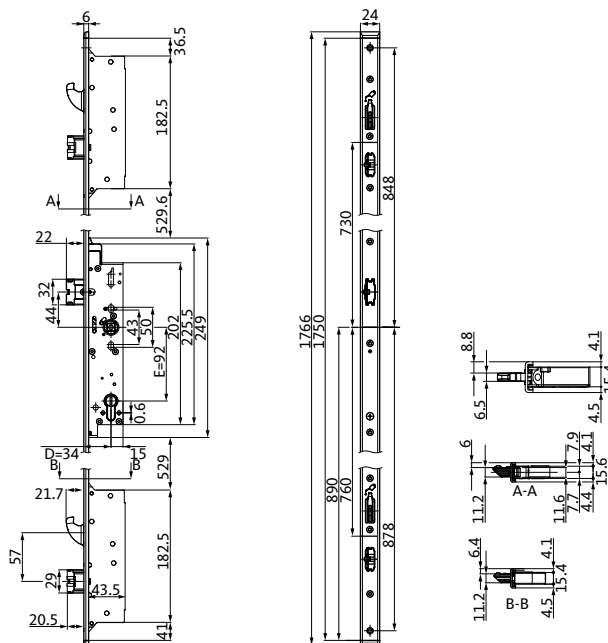
Description	Order number	See page
A-opener kit (including 6 m connecting cable)	K-18153-01-0-0	427
Connecting cable for lock monitoring	B 5490 0300	427

Additional options (available on request)

Faceplate Material/Finish	Width [mm]	Follower [mm]	Backset [mm]	Special versions	Suitable shoot-bolt lock
-	-	-	-	-	B-1990

SECURY 1917 ADR

for 2-leaf doors



Functional description

Panic function E

Self-locking panic lock for double-leaf doors with mechanical panic function on the interior lever handle. Opening the door is possible at any time. Mechanical access from outside using the key (via the latch lever).

For a detailed functional description see page 497.

Product description

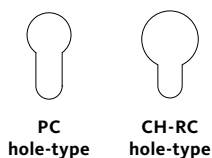
SECURY 1917 ADR

- Approved to EN 179 (emergency exits), EN 1125 (panic doors)
- Reversible latchbolt
- Satin stainless steel faceplate
- 9 mm follower
- Triple automatic latchbolt with two additional hook bolts, 20 mm latch/deadbolt projection in locked position
- With latch lever
- 92 mm (PC), 94 mm (CH-RC) hole distance
- Optionally with monitoring contacts

Classification code

EN 179									
3	7	7	B	1	3	4	2	A	A
EN 1125									
3	7	7	B	1	3	2	1/2	A/B	A

Variants



Standards



SECURY 1917 ADR (automatic DR bolt) for 2-leaf doors

Faceplate Material/Finish	Backset [mm]	Faceplate Shape	Faceplate 24 x 3 x 1750 mm Non-handed	U-faceplate 24 x 6 x 2 x 1750 mm Non-handed
Satin stainless steel	35	Square	6-B1917-MA-L-8	6-B1917-MD-L-8
	40	Square	6-B1917-MB-L-8	6-B1917-ME-L-8
	45	Square	6-B1917-MC-L-8	6-B1917-MF-L-8

SECURY 1917 ADR (automatic DR bolt) with key-controlled latch holdback for 2-leaf doors

Faceplate Material/Finish	Backset [mm]	Faceplate Shape	Faceplate 24 x 3 x 1750 mm Non-handed	U-faceplate 24 x 6 x 2 x 1750 mm Non-handed
Satin stainless steel	35	Square	-	6-B1917-MG-L-8
	40	Square	-	6-B1917-MH-L-8
	45	Square	-	6-B1917-MJ-L-8

Accessories to be ordered separately

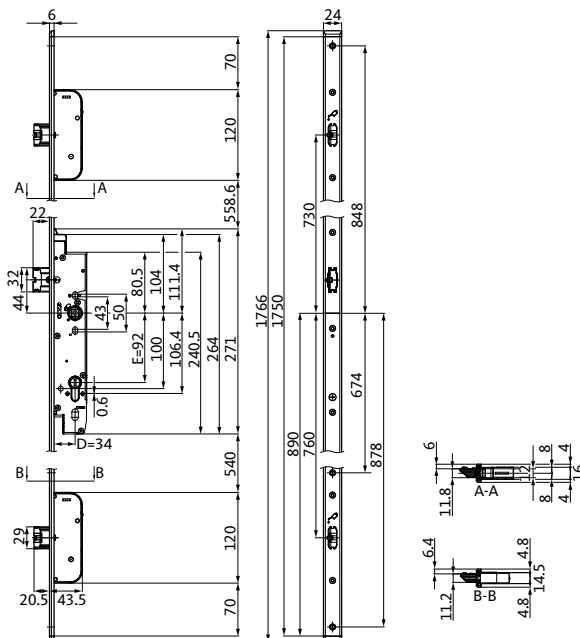
Description	Order number	See page
A-opener kit (including 6 m connecting cable)	K-18153-01-0-0	427

Additional options (available on request)

Faceplate		Follower [mm]	Backset [mm]	Special versions	Suitable shoot-bolt lock
Material/Finish	Width [mm]				
-	-	-	-	-	B-1990

SECURY 1970 EK

for 1-leaf doors



Functional description

Self-locking electrically coupled lock for 1-leaf doors features a mechanical panic function on the interior lever handle. Opening the door is possible at any time. The exterior lever handle is electrically coupled, i.e. access can be controlled electrically. Opening from outside by key (via the latch lever).

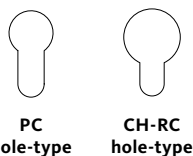
Product description

SECURY 1970 EK

- Approved to EN 179 (emergency exits), EN 1125 (panic doors) and EN 14846
- VDS C
- Reversible latchbolt
- Switchable panic side outward/inward
- Satin stainless steel faceplate
- 9 mm split follower
- Triple automatic latchbolt, 20 mm latch/deadbolt projection in locked position
- With latch lever
- 92 mm (PC), 94 mm (CH-RC) hole distance
- Integral control unit/12–24 V DC
- Switchable fail-secure/fail-safe setting options

Classification code										
EN 179										
3	7	7	B	1	3	4	2	A	B/D	
EN 1125										
3	7	7	B	1	3	2	1/2	A/B	B	
EN 14846										
3	S	3	E	0	0	6	0	2		

Variants



Standards



SECURY 1970 electrically coupled panic lock for 1-leaf doors

Faceplate Material/Finish	Backset [mm]	Faceplate Shape	Faceplate 24 x 3 x 1750 mm Non-handed	U-faceplate 24 x 6 x 2 x 1750 mm Non-handed
Satin stainless steel	35	Square	6-B1970-02-L-8	6-B1970-01-L-8
	40	Square	-	6-B1970-04-L-8
	45	Square	6-B1970-03-L-8	6-B1970-05-L-8

SECURY 1970 electrically coupled panic lock with CH-RC-hole-type, for 1-leaf doors

Faceplate Material/Finish	Backset [mm]	Faceplate Shape	Faceplate 24 x 3 x 1750 mm CH-RC hole-type Non-handed	U-faceplate 24 x 6 x 2 x 1750 mm CH-RC hole-type Non-handed
Satin stainless steel	35	Square	6-B1970-06-L-8	6-B1970-08-L-8
	40	Square	-	-
	45	Square	6-B1970-07-L-8	-

Accessories to be ordered separately

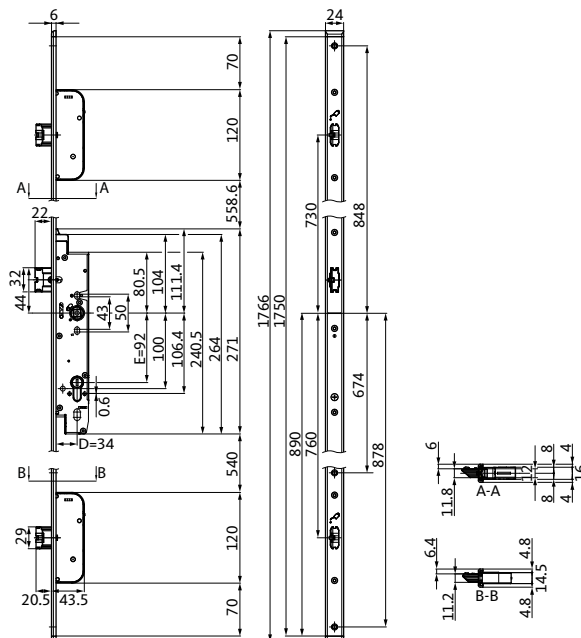
Description	Order number	See page
A-opener kit (including 6 m connecting cable)	K-18153-01-0-0	427
Connecting cable	B 5490 0300	427
Power supply unit (24 V DC/1 A)	B 5494 0004	473
I/O module EK	B-54900-03-3-9	419

Additional options (available on request)

Faceplate		Follower [mm]	Backset [mm]	Special versions	Suitable strikers	
Material/Finish	Width [mm]					
-	-	-	-	-	9-43501 6-36048 6-33616 6-33617	B 9000 0911 B 9000 0914

SECURY 1971 EK

for 2-leaf doors



Functional description

Self-locking electrically coupled lock for 2-leaf doors with mechanical panic function on the interior lever handle. Opening the door is possible at any time. The exterior lever handle is electrically coupled, i.e. access can be controlled electrically. Opening from outside by key (via the latch lever).

Product description

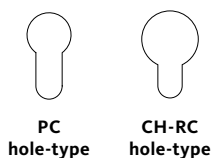
SECURY 1971 EK

- Approved to EN 179 (emergency exits), EN 1125 (panic doors) and EN 14846
- VDS C
- Reversible latchbolt
- Switchable panic side outward/inward
- Satin stainless steel faceplate
- 9 mm split follower
- Triple automatic latchbolt, 20 mm latch/deadbolt projection in locked position
- With latch lever
- 92 mm (PC), 94 mm (CH-RC) hole distance
- Integral control unit/12–24 V DC
- Switchable fail-secure/fail-safe setting options

Classification code

EN 179									
3	7	7	B	1	3	4	2	A	A
EN 1125									
3	7	7	B	1	3	2	1/2	A/B	A
EN 14846									
3	S	3	E	0	0	0	0	2	

Variants



Standards



SECURY 1971 electrically coupled panic lock for 2-leaf doors

Faceplate Material/Finish	Backset [mm]	Faceplate Shape	Faceplate 24 x 3 x 1750 mm Non-handed	U-faceplate 24 x 6 x 2 x 1750 mm Non-handed
Satin stainless steel	35	Square	6-B1971-02-L-8	6-B1971-01-L-8
	40	Square	-	6-B1971-04-L-8
	45	Square	6-B1971-03-L-8	6-B1971-07-L-8

SECURY 1971 electrically coupled panic lock with CH-RC hole-type, for 2-leaf doors

Faceplate Material/Finish	Backset [mm]	Faceplate Shape	Faceplate 24 x 3 x 1750 mm CH-RC hole-type Non-handed	U-faceplate 24 x 6 x 2 x 1750 mm CH-RC hole-type Non-handed
Satin stainless steel	35	Square	6-B1971-05-L-8	6-B1971-06-L-8
	40	Square	-	-
	45	Square	-	-

Accessories to be ordered separately

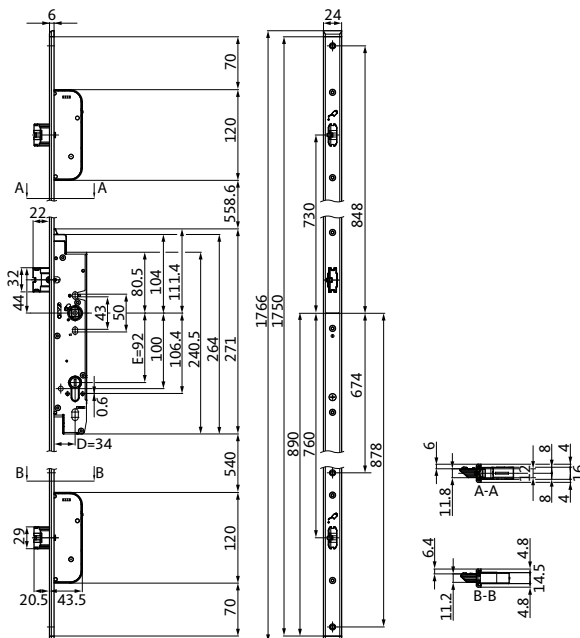
Description	Order number	See page
A-opener kit (including 6 m connecting cable)	K-18153-01-0-0	427
Connecting cable	B 5490 0300	427
Power supply unit (24 V DC/1 A)	B 5494 0004	473
I/O module EK	B-54900-03-3-9	419

Additional options (available on request)

Faceplate		Follower [mm]	Backset [mm]	Suitable shoot-bolt lock
Material/Finish	Width [mm]			
-	-	-	-	B-1990

SECURY 1975 EK

for 1-leaf doors



Functional description

Self-locking electrically coupled lock for 1-leaf doors. The interior and exterior lever handle is electrically coupled, i.e. access or exit can be controlled electrically. Opening from outside by key (via the latch lever).

Product description

SECURY 1975 EK

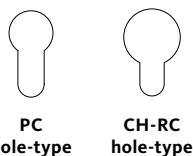
- Approved to EN 14846
- VDS C
- Reversible latchbolt
- Switchable panic side outward/inward
- Satin stainless steel faceplate
- 9 mm split follower
- Triple automatic latchbolt, 20 mm latch/deadbolt projection in locked position
- With latch lever
- 92 mm (PC), 94 mm (CH-RC) hole distance
- Integral control unit/12–24 V DC
- Switchable fail-secure/fail-safe setting options

Classification code

EN 14846

3	S	3	E	0	0	6	0	2
---	---	---	---	---	---	---	---	---

Variants



Standards



SECURY 1975 electrically coupled lock for 1-leaf doors

Faceplate Material/Finish	Backset [mm]	Faceplate Shape	Faceplate 24 x 3 x 1750 mm Non-handed	U-faceplate 24 x 6 x 2 x 1750 mm Non-handed
Satin stainless steel	35	Square	-	6-B1975-01-L-8
	40	Square	-	-
	45	Square	6-B1975-03-L-8	6-B1975-04-L-8

Accessories to be ordered separately

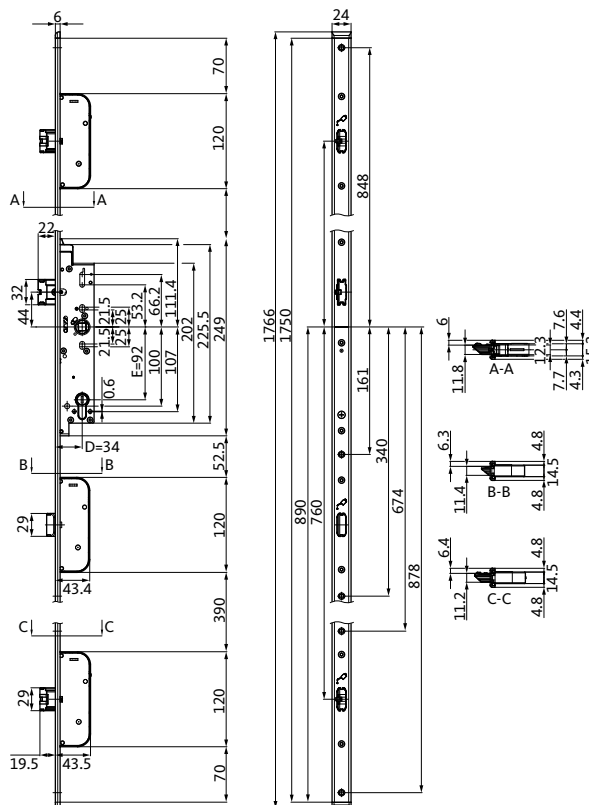
Description	Order number	See page
A-opener kit (including 6 m connecting cable)	K-18153-01-0-0	427
Connecting cable	B 5490 0300	427
Power supply unit (24 V DC/1 A)	B 5494 0004	473
I/O module EK	B-54900-03-3-9	419

Additional options (available on request)

Faceplate		Follower [mm]	Backset [mm]	Special versions	Suitable strikers	
Material/Finish	Width [mm]					
-	-	-	-	-	9-43501 6-36048 6-33616 6-33617	B 9000 0911 B 9000 0914

SECURY 1916 EVP/SECURY 1916 S EVP

for 1-leaf narrow stile doors



Functional description

Panic function E

Self-locking panic lock for single-leaf doors with mechanical panic function on the interior lever handle. Opening the door is possible at any time. Mechanical access from outside using the key (via the latch lever).

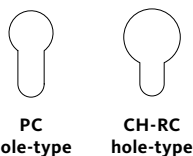
For a detailed functional description see page 497.

Product description

SECURY 1916 EVP

- Satin stainless steel faceplate
- 9 mm follower
- Triple automatic latchbolt, 20 mm latch/deadbolt projection in locked position
- With latch lever
- 92 mm (PC), 94 mm (CH-RC) hole distance

Variants



Standards



SECURY 1916 electrically-locking panic lock for 1-leaf doors

Faceplate Material/Finish	Backset [mm]	Faceplate Shape	Faceplate 24 x 3 x 1750 mm Non-handed	U-faceplate 24 x 6 x 2 x 1750 mm Non-handed
Satin stainless steel	35	Square	6-B1916-37-L-8	6-B1916-24-L-8
	40	Square	-	6-B1916-44-L-8
	45	Square	6-B1916-29-L-8	6-B1916-31-L-8

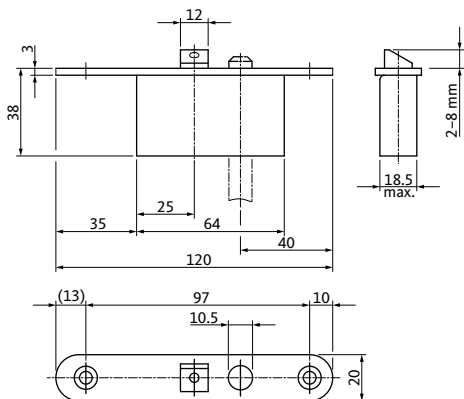
SECURY 1916 electrically-locking panic lock with lock monitoring for 1-leaf doors

Faceplate Material/Finish	Backset [mm]	Faceplate Shape	Faceplate 24 x 3 x 1750 mm Non-handed	U-faceplate 24 x 6 x 2 x 1750 mm Non-handed
Satin stainless steel	35	Square	-	6-B1916-20-L-8
	40	Square	-	6-B1916-46-L-8
	45	Square	-	6-B1916-47-L-8

Additional options (available on request)

Faceplate		Follower [mm]	Backset [mm]	Special versions	Suitable striker
Material/Finish	Width [mm]				
-	-	-	-	CH-RC hole-type	9-49431

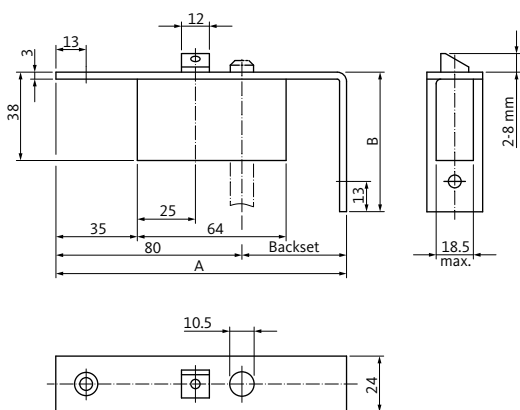
B 1595 passive-leaf control lock



B 1595 passive-leaf control lock

Faceplate shape: round/straight

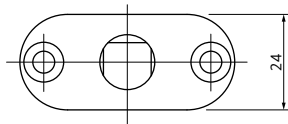
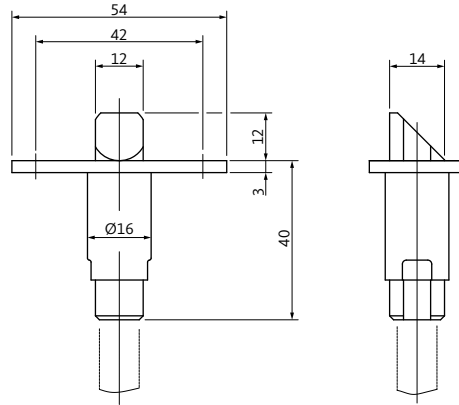
B 1595 passive-leaf control lock		
Faceplate material/finish	Faceplate shape	
Satin stainless steel	Round/straight	
Backset [mm]	Rebated doors 20 mm faceplate Non-handed	Flush doors 24 mm faceplate Non-handed
	80 and 100	B 1595 0185
Suitable striker	B 9000 0490	



B 1595 passive-leaf control lock

Faceplate shape: square/angled

B 1595 passive-leaf control lock			
Faceplate material/finish	Faceplate shape		
Satin stainless steel	Square/angled		
Backset [mm]	Dim. B [mm]	Faceplate 24 x 3 mm Non-handed	
	25	65	B 1595 0101
	30	60	B 1595 0103
	35	55	B 1595 0105
	40	50	B 1595 0107
	45	45	B 1595 0109
Suitable striker	B 9000 0490		



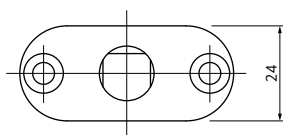
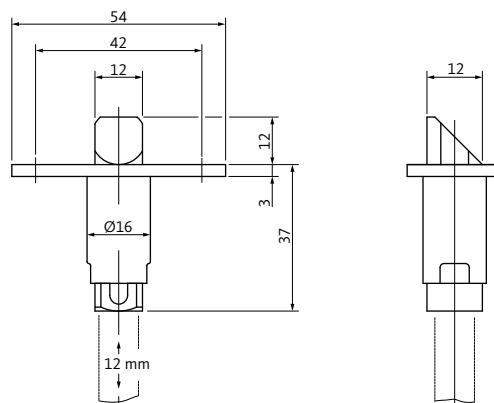
B 1795 spring-operated top latch
Additional top-locking into the door frame of the active leaf

B 1795 spring-operated top latch

Faceplate material/finish	
Galvanised steel	
Faceplate dimension	Non-handed
54 x 24 mm	B 1795 0001
54 mm x 20 mm	B 1795 0002
Suitable striker	B 9000 0567

B 1795 spring-operated top latch for use with electric strike

Faceplate material/finish	
Galvanised steel	
Faceplate dimension	Non-handed
54 x 24 mm	B 1795 0005
54 mm x 20 mm	B 1795 0007
Suitable for GU-BKS electric strike ET 8	
Suitable strikers	9-49431-03-0-8 9-49431-04-0-8

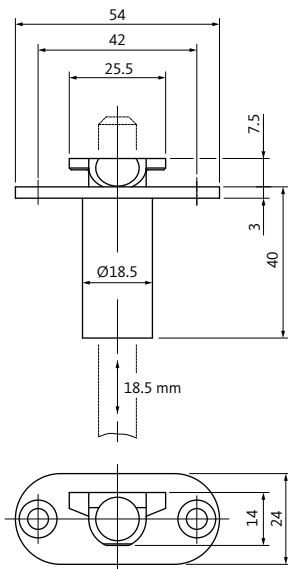


B 1796 spring-operated top latch
For locking the passive leaf only into the upper frame when used in combination with electric strikes with automatic door drive (double-leaf automatic swing doors)

B 1796 spring-operated top latch

Faceplate material/finish	
Galvanised steel	
Faceplate dimension	Non-handed
54 x 20 mm	B 1796 0013
54 x 24 mm	B 1796 0012
Suitable for GU-BKS electric strike ET 8	
Suitable strikers	9-49431-03-0-8 9-49431-04-0-8

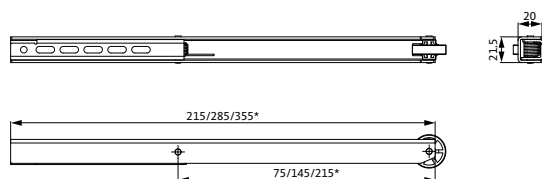
B 1895 passive-leaf control lock/Carrier bar MNK 8642



B 1895 passive-leaf control lock

The passive-leaf control lock is mounted in the upper area of the passive leaf. When the opening movement of the door hardware on the passive leaf is completed, the vertical rod is automatically locked in place within the passive-leaf control lock.

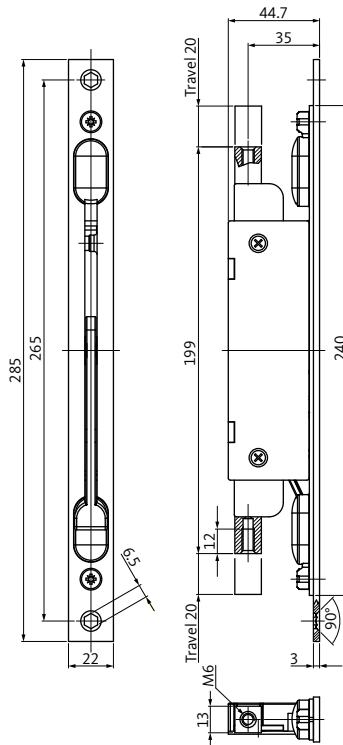
B 1895 passive-leaf control lock		
Faceplate material/finish	Faceplate shape	
Galvanised steel	Round	
Backset [mm]	Angled faceplate 20 x 52 x 60 mm	
	DIN LH	DIN RH
25	B 1895 0007	B 1895 0006
Backset [mm]	Angled faceplate 24 x 52 x 60 mm	
	DIN LH	DIN RH
25	B 1895 0009	B 1895 0008
Backset [mm]	Faceplate width 20 mm	Faceplate width 24 mm
	Non-handed	Non-handed
30-45 and 65	B 1895 0002	B 1895 0003
Suitable strikers	B 9000 0489 – square	
	B 9000 0490 – round	
Packer plate 3 mm	B 9068 0001	



Carrier bar MNK 8642

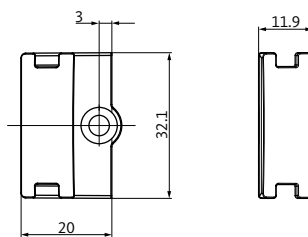
The carrier bar ensures that when the door is opened via the passive leaf (in emergency situations), the active leaf is carried at least as far as the beginning of the action range of the door-leaf coordinator (SRI).

Carrier bar MNK 8642		
Size	Finish	Order number
		Overlap height 0–17
01 Length = 215 mm	Silver	K-17897-01-0-1
	Black	K-17897-01-0-6
	Traffic white (RAL 9016)	K-17897-01-0-7
02 Length = 285 mm	Silver	K-17897-02-0-1
	Black	K-17897-02-0-6
	Traffic white (RAL 9016)	K-17897-02-0-7
03 Length = 355 mm	Silver	K-17897-03-0-1
	Black	K-17897-03-0-6
	Traffic white (RAL 9016)	K-17897-03-0-7



B-1898 shoot-bolt

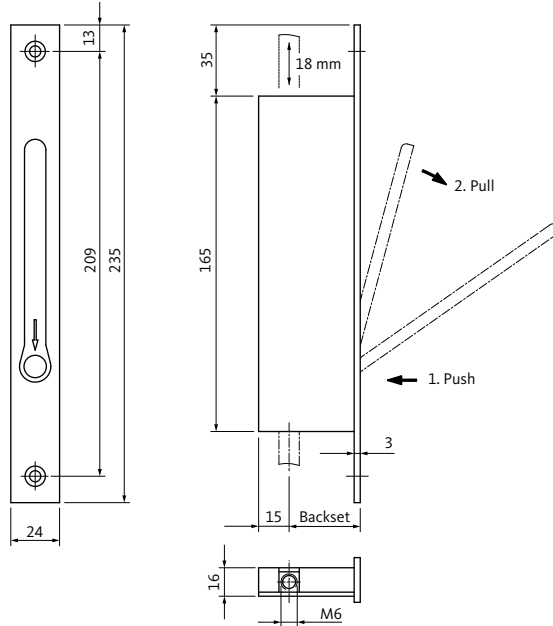
B-1898 shoot-bolt	
Faceplate material/finish	Faceplate shape
Galvanised	Square
Backset [mm]	Faceplate 22 x 3 x 285 mm Non-handed
20	B-18980-00-0-3
35	B-18980-01-0-3



B-9045 silent latch

B-9045 silent latch	
Order number	
	B-90450-00-0-0

B 1899 lever-operated shoot-bolt lock/B 1798 remote lock

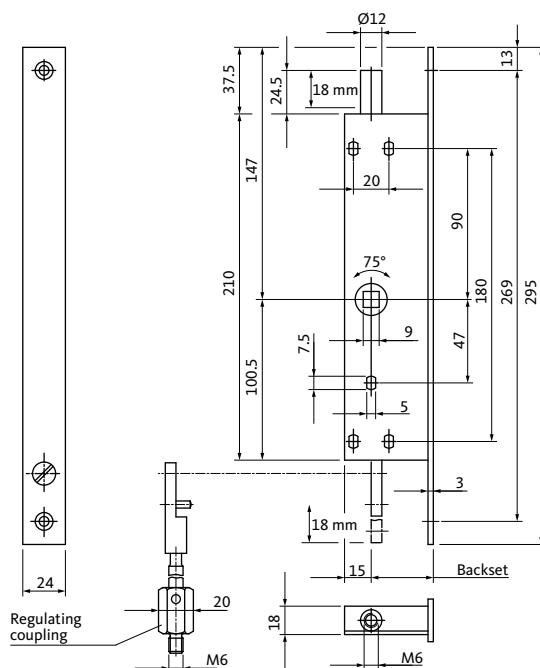


B 1899 lever-operated shoot-bolt lock

When the passive leaf is closed, automatic locking of the spring-loaded vertical rods at the top and bottom is triggered by passive-leaf control lock B 1895.

B 1899 lever-operated shoot-bolt lock

Faceplate material/finish	Faceplate shape
Satin stainless steel	Square
Backset [mm]	Faceplate 24 x 3 x 235 mm Non-handed
25	B 1899 0201
30	B 1899 0202
35	B 1899 0203
40	B 1899 0204
45	B 1899 0205
50	B 1899 0206
54	B 1899 0207
60	B 1899 0208
65	B 1899 0209
70	B 1899 0210



B 1798 remote lock

The remote lock (installed approx. 1,500 mm above finished floor level) converts the rotational movement of the vertical lever into the thrust movement of the vertical rods.

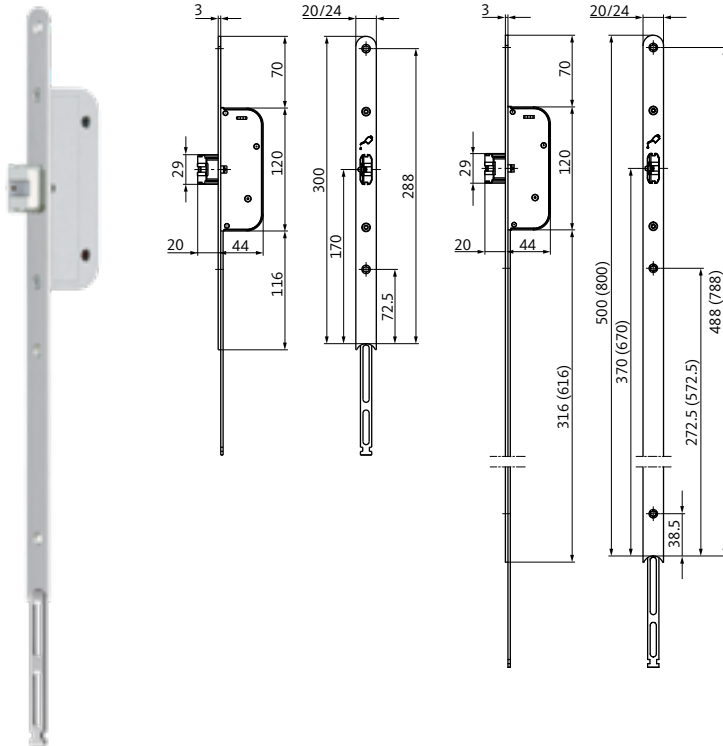
B 1798 remote lock

Faceplate material/finish	Faceplate shape
Satin stainless steel	Square
Backset [mm]	Faceplate 24 x 3 x 295 mm Non-handed
30	B 1798 0101
35	B 1798 0102
40	B 1798 0103
45	B 1798 0104
50	B 1798 0105
55	B 1798 0106
60	B 1798 0107
65	B 1798 0108
70	B 1798 0109

Suitable for BKS locks:

B-1890, B-1990, B 1793

SECURY 19 faceplate extension/ Torque screwdriver



SECURY 19 faceplate extension for SECURY series 19 with 1,750 mm faceplate, non-handed

SECURY 19 faceplate extension

Faceplate length [mm]	Faceplate 24 x 3 mm	U-faceplate 24 x 6 x 2 mm
300	6-39410-13-0-8	6-39410-15-0-8
500	6-39411-13-0-8	6-39411-15-0-8
800	6-39412-13-0-8	6-39412-15-0-8

SECURY 19 top extension piece

Faceplate length [mm]	Faceplate 24 x 3 mm	U-faceplate 24 x 6 mm
405	9-48687-13-0-8	9-48687-15-0-8

SECURY 19 bottom extension piece

Faceplate length [mm]	Faceplate 24 x 3 mm	U-faceplate 24 x 6 mm
130	9-48686-13-0-8	9-48686-15-0-8



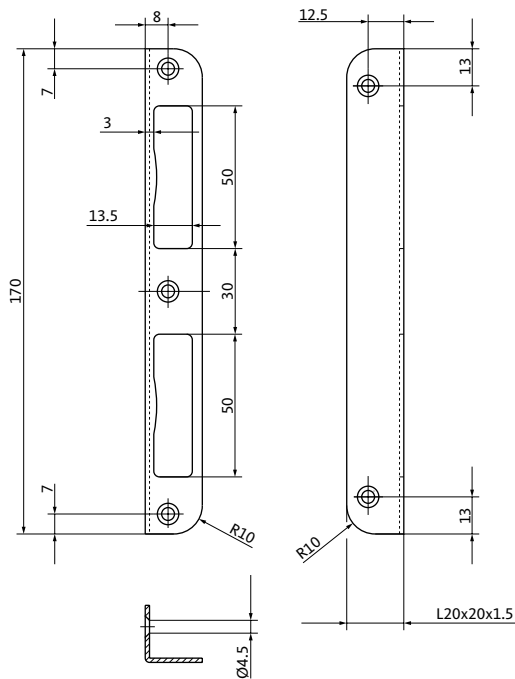
Torque screwdriver with T-handle and non-slip finish

Torque screwdriver

Order number
B-90010-02-0-0

Suitable for switchable panic side
with lock series 18, 19, 21, and 23

S401 angled striker/S491 striker



S401 angled striker

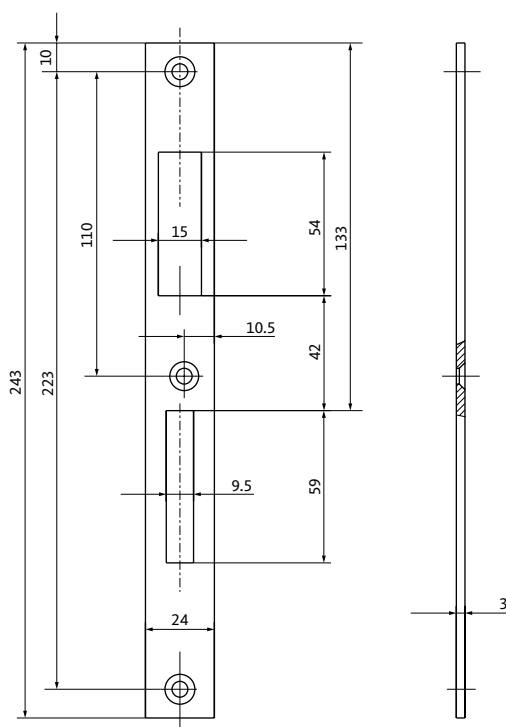
suitable for light-duty applications, non-handed

Angled striker

Material/Finish	Shape	Order number
Steel nickel silver	Round	S4010088
Stainless steel		S4010012

Suitable for BKS lock:

- 0007



S491 striker

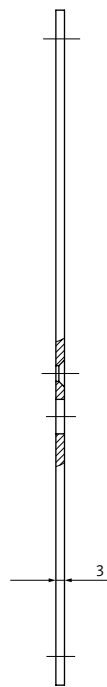
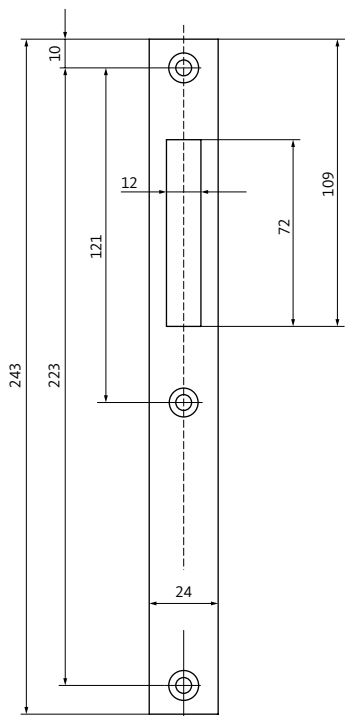
suitable for normal-duty applications, non-handed

Flat striker

Material/Finish	Shape	Order number
Steel nickel silver	Square	S4910023
Stainless steel		S4910025

Suitable for BKS locks:

- 1205
- 1205H



S491 striker

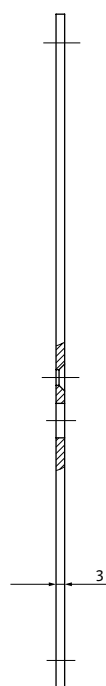
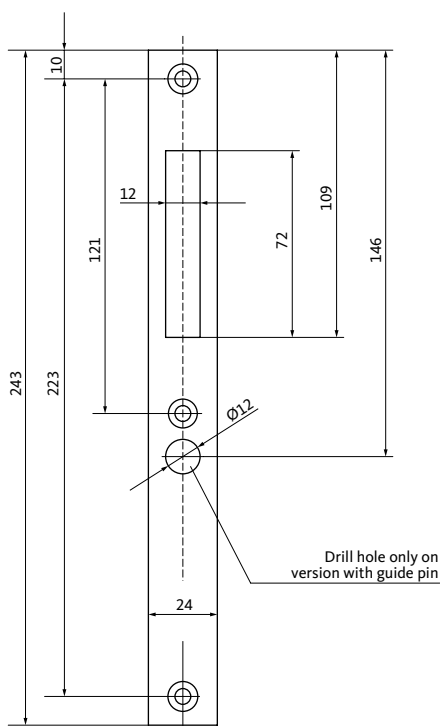
suitable for normal-duty applications, non-handed

Flat striker

Material/Finish	Shape	Order number
Steel nickel silver	Square	S4910029
Stainless steel		S4910030

Suitable for BKS lock:

- 1205SRH



S491 striker

suitable for normal-duty applications, non-handed

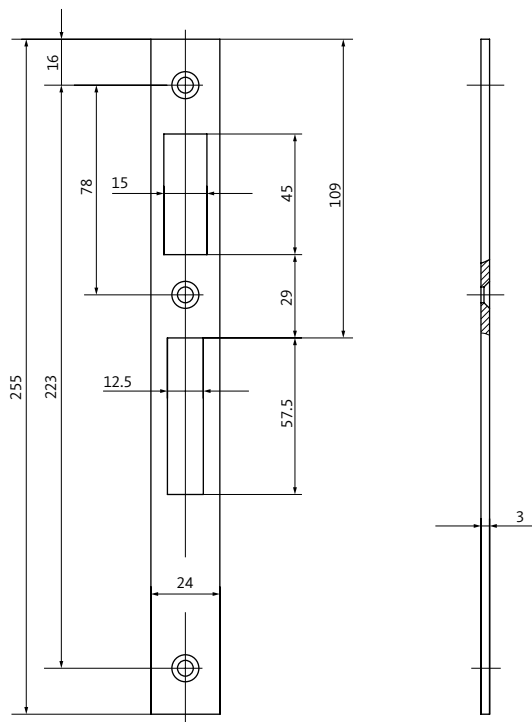
Flat striker

Material/Finish	Shape	Order number
Steel nickel silver	Square	S4910068
Stainless steel		S4910053

Suitable for BKS lock:

- 1205SRHF

S491 striker



S491 striker

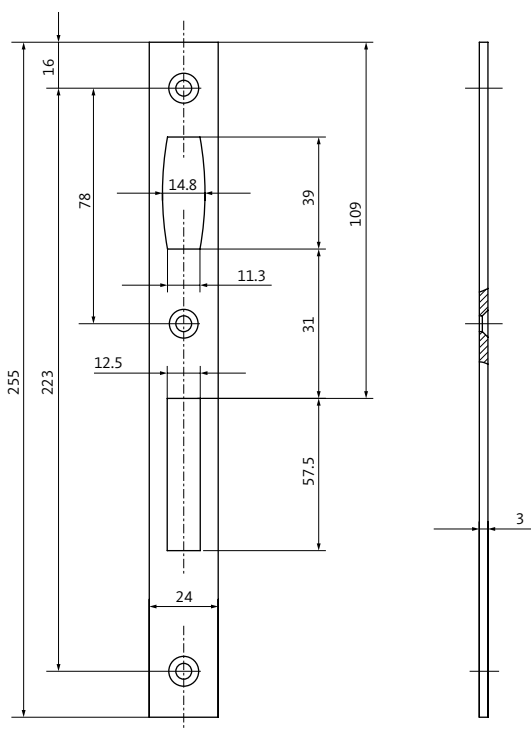
suitable for medium-duty applications, non-handed

Flat striker

Material/Finish	Shape	Order number
Nickel-plated matt brass	Square	S4910046
Yellow chromated		S4910047

Suitable for BKS lock:

- 1425



S491 striker

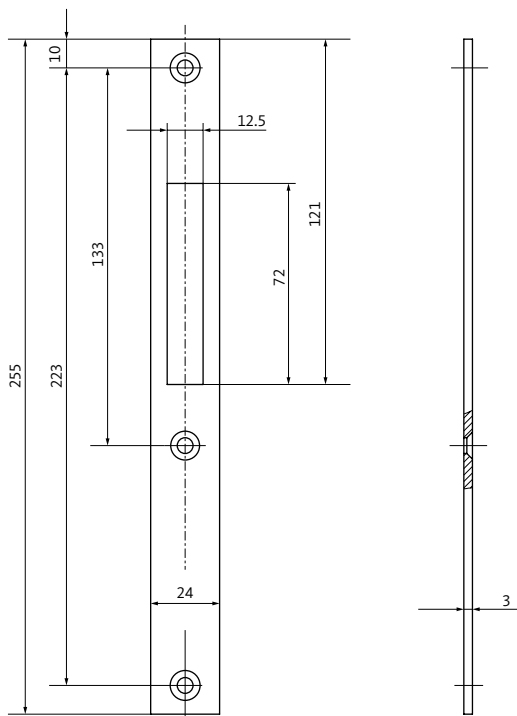
suitable for medium-duty applications, non-handed

Flat striker

Material/Finish	Shape	Order number
Nickel-plated matt brass	Square	S4910075
Yellow chromated		S4910059

Suitable for BKS lock:

- 1426



S491 striker

suitable for medium-duty applications, non-handed

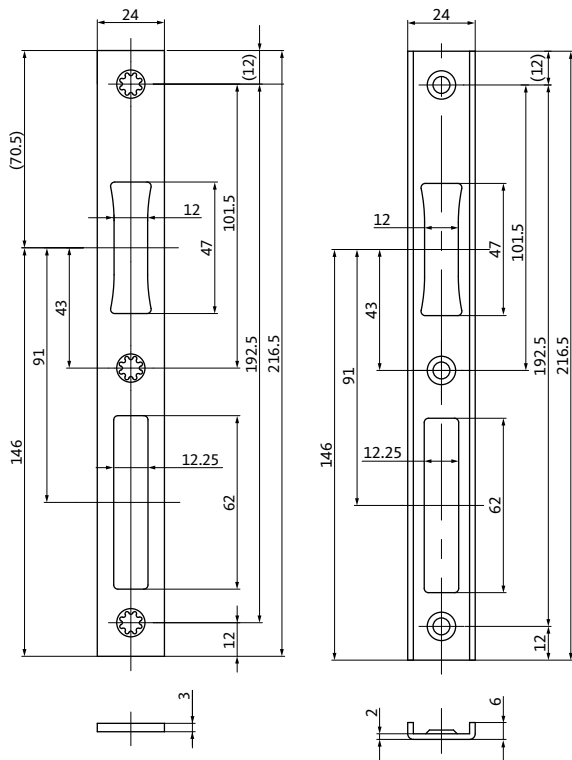
Flat striker

Material/Finish	Shape	Order number
Steel nickel silver	Square	S4910037
Stainless steel		S4910038

Suitable for BKS lock:

- 1427

B-9000 flat striker



B-9000 flat striker

suitable for normal-duty applications, non-handed

Flat striker

Material/Finish	Shape	Order number
Satin stainless steel	Square	B-90000-04-0-8
	Round	B-90000-05-0-8

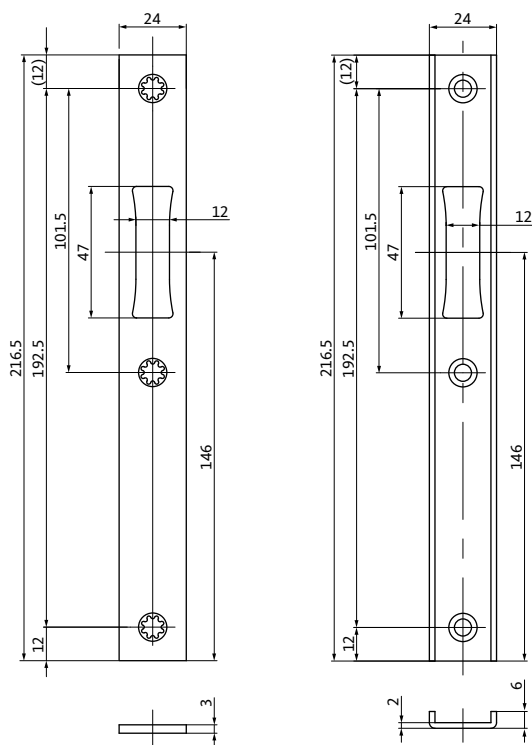
B-9000 U-striker

Non-handed

U-striker

Material/Finish	Order number
Satin stainless steel	B-90000-26-0-8

Suitable for all BKS locks



B-9000 flat striker

suitable for normal-duty applications, non-handed

Flat striker

Material/Finish	Shape	Order number
Satin stainless steel	Square	B-90000-00-0-8
	Round	B-90000-01-0-8

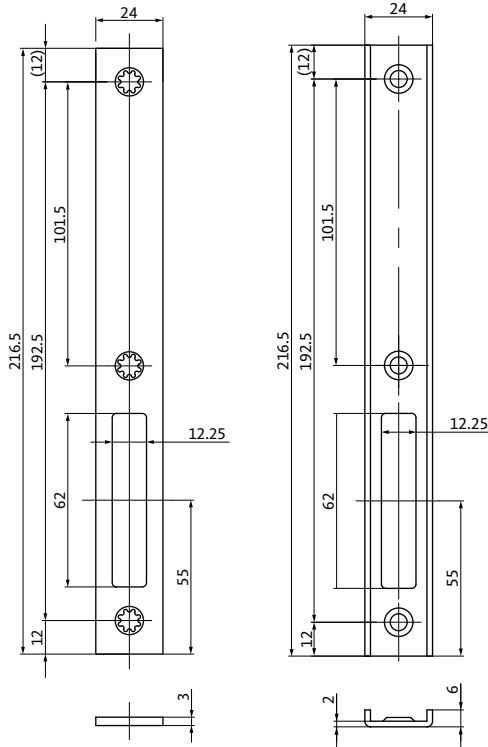
B-9000 U-striker

Non-handed

U-striker

Material/Finish	Order number
Satin stainless steel	B-90000-24-0-8

Suitable for all BKS locks



B-9000 flat striker

suitable for normal-duty applications, non-handed

Flat striker

Material/Finish	Shape	Order number
Satin stainless steel	Square	B-90000-02-0-8
	Round	B-90000-03-0-8

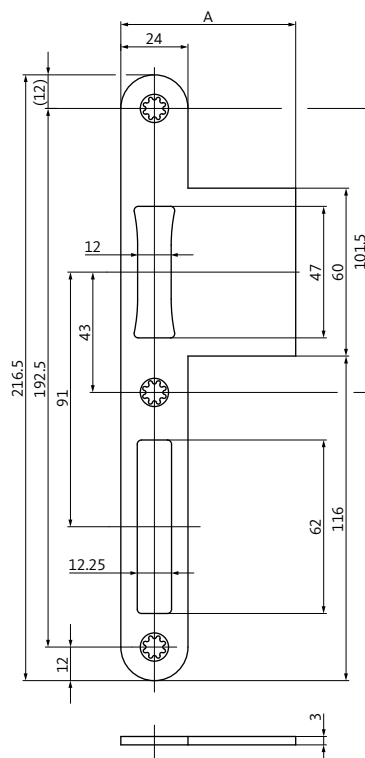
B-9000 U-striker

Non-handed

U-striker

Material/Finish	Order number
Satin stainless steel	B-90000-25-0-8

Suitable for all BKS locks



B-9000 lipped striker

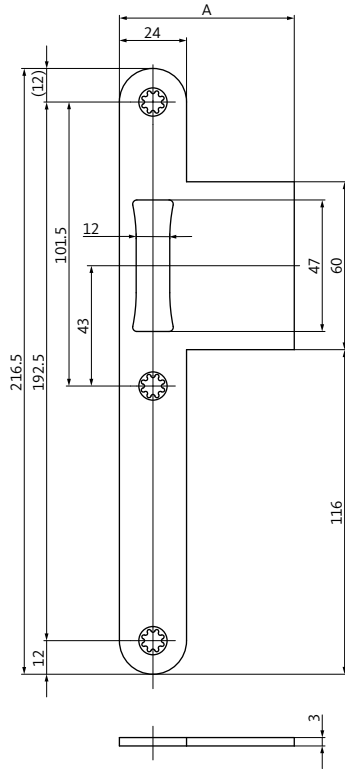
suitable for normal-duty applications

Lipped striker

Material/Finish	Dim. A = 62.5 mm		
	Satin stainless steel	Square	DIN LH
Square		DIN RH	B-90000-58-R-8
Round		DIN LH	B-90000-61-L-8
Round		DIN RH	B-90000-61-R-8
Material/Finish	Dim. A = 36 mm		
	Satin stainless steel	Square	DIN LH
Square		DIN RH	B-90000-57-R-8
Round		DIN LH	B-90000-60-L-8
Round		DIN RH	B-90000-60-R-8
Material/Finish	Dim. A = 28 mm		
	Satin stainless steel	Square	DIN LH
Square		DIN RH	B-90000-56-R-8
Round		DIN LH	B-90000-59-L-8
Round		DIN RH	B-90000-59-R-8

Suitable for all BKS locks

B-9000 lipped striker/6-37368 flat striker



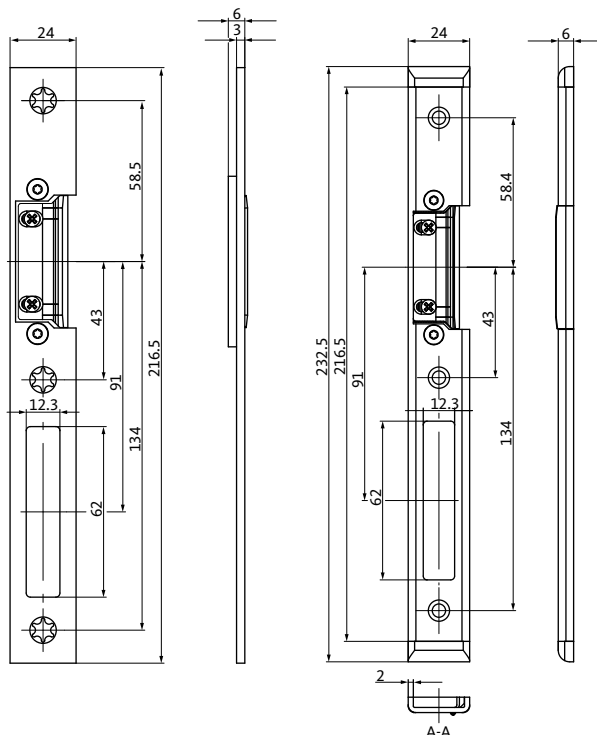
B-9000 lipped striker

suitable for normal-duty applications

Lipped striker

Material/Finish	Dim. A = 62.5 mm		
Satin stainless steel	Square	DIN LH	B-90000-52-L-8
	Square	DIN RH	B-90000-52-R-8
	Round	DIN LH	B-90000-55-L-8
	Round	DIN RH	B-90000-55-R-8
Material/Finish	Dim. A = 36 mm		
Satin stainless steel	Square	DIN LH	B-90000-51-L-8
	Square	DIN RH	B-90000-51-R-8
	Round	DIN LH	B-90000-54-L-8
	Round	DIN RH	B-90000-54-R-8
Material/Finish	Dim. A = 28 mm		
Satin stainless steel	Square	DIN LH	B-90000-50-L-8
	Square	DIN RH	B-90000-50-R-8
	Round	DIN LH	B-90000-53-L-8
	Round	DIN RH	B-90000-53-R-8

Suitable for all BKS locks



6-37368 flat striker

prepared for electric strike

suitable for normal-duty applications

Flat striker

Material/Finish	Shape	Order number	
Satin stainless steel	Square	DIN LH	6-37368-01-L-8
		DIN RH	6-37368-01-R-8

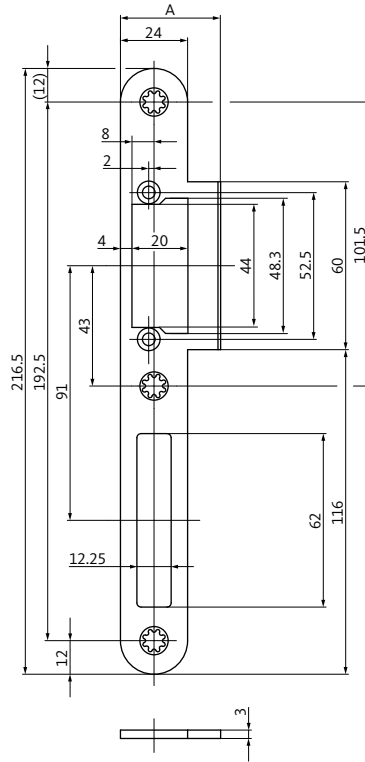
6-37367 U-striker

prepared for electric strike

U-striker

Material/Finish	Order number	
Satin stainless steel	DIN LH	6-37367-01-L-8
	DIN RH	6-37367-01-R-8

Suitable for all BKS locks of series 13, 18, 23

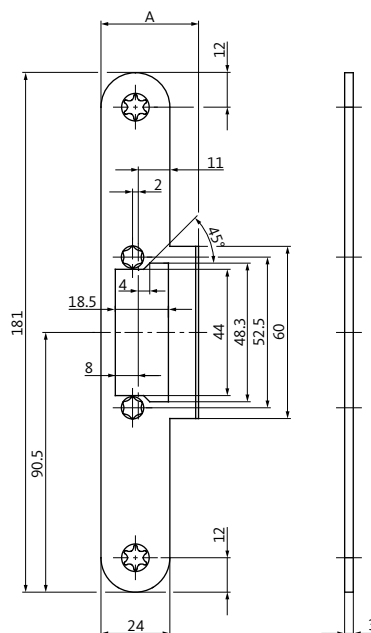


B-9000 lipped striker
for GU-BKS electric strike ET 8,
suitable for normal-duty applications

Lipped striker

Material/Finish	Dim. A = 62.5 mm		
Satin stainless steel	Square	DIN LH	B-90000-64-L-8
	Square	DIN RH	B-90000-64-R-8
	Round	DIN LH	B-90000-67-L-8
	Round	DIN RH	B-90000-67-R-8
Material/Finish	Dim. A = 36 mm		
Satin stainless steel	Square	DIN LH	B-90000-63-L-8
	Square	DIN RH	B-90000-63-R-8
	Round	DIN LH	B-90000-66-L-8
	Round	DIN RH	B-90000-66-R-8
Material/Finish	Dim. A = 28 mm		
Satin stainless steel	Square	DIN LH	B-90000-62-L-8
	Square	DIN RH	B-90000-62-R-8
	Round	DIN LH	B-90000-65-L-8
	Round	DIN RH	B-90000-65-R-8

Suitable for all BKS locks of series 13, 18, 23



9-49431 lipped striker
for B 5465 0402 ProFix 2 electric escape door strike,
non-handed

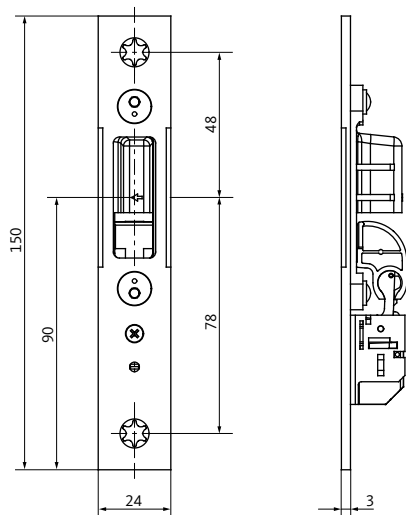
Lipped striker

Material/Finish	Dim. A = 34 mm	
Satin stainless steel	Round	9-49431-01-0-8
	Square	9-49431-03-0-8
	Dim. A = 62.5 mm	
	Round	9-49431-02-0-8
	Square	9-49431-04-0-8

Suitable for:

- SECURITY 19 EVP

6-38426 latchbolt monitoring contact/B 9000 latch striker



Deadbolt monitoring contact

Striker with deadbolt monitoring contact for SECURY 19 additional latchbolt

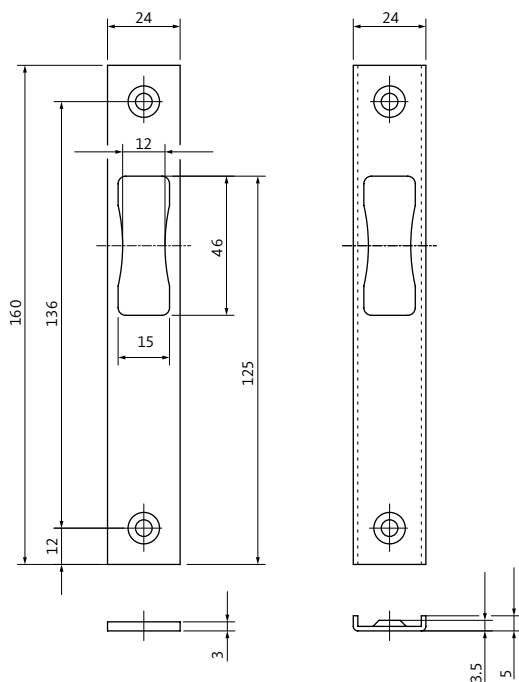
Flat striker 24 x 3 x 150 mm

Material/Finish	Shape	Order number	
Satin stainless steel	Square	Non-handed	6-40041-AA-0-8

U-striker 24 x 6 x 150 mm

Material/Finish	Shape	Order number	
Satin stainless steel	Square	Non-handed	6-40041-AC-0-8

Approval: VdS C



B 9000 latch striker

suitable for normal-duty applications, non-handed

Flat striker

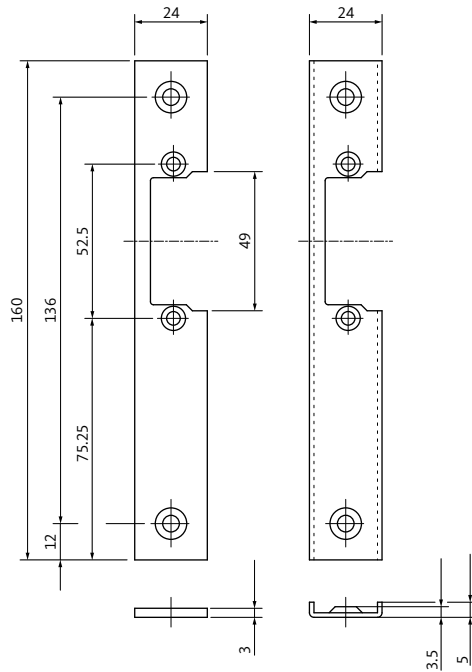
Material/Finish	Shape	Order number
Stainless steel	Square	B 9000 1097
Steel nickel silver		B 9000 1098

U-striker

Material/Finish	Order number
Stainless steel	B 9000 1224

Suitable for BKS locks:

- 1305
- 1307



B 9000 striker

suitable for normal-duty applications

Flat striker
24 x 3 x 160 mm

Material/Finish	Shape	Order number	
Stainless steel	Square	DIN LH	B 9000 1092
		DIN RH	B 9000 1093

Flat striker
28 x 3 x 160 mm

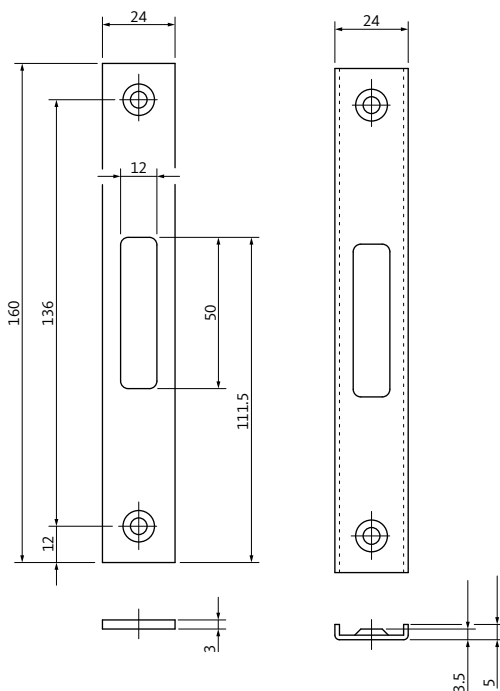
Material/Finish	Shape	Order number	
Stainless steel	Square	DIN LH	B 9000 1102
		DIN RH	B 9000 1103

U-striker
24 x 5 x 160 mm

Material/Finish	Order number	
Stainless steel	DIN LH	B 9000 1222
	DIN RH	B 9000 1223

Suitable for:

- Electric strikes
- Electric escape door strike



B 9000 deadbolt striker

suitable for normal-duty applications, non-handed

Flat striker

Material/Finish	Shape	Order number
Stainless steel	Square	B 9000 1100
Steel nickel silver	Square	B 9000 1101

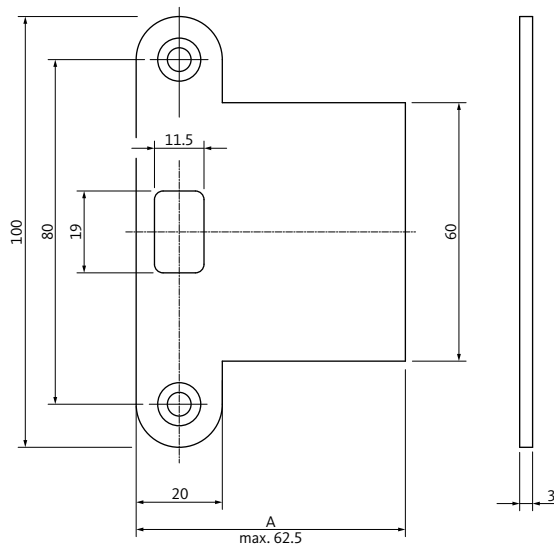
U-striker

Material/Finish	Order number
Stainless steel	B 9000 1226

Suitable for BKS lock:

- 1308

B 9000 lipped striker



Lipped striker B 9000

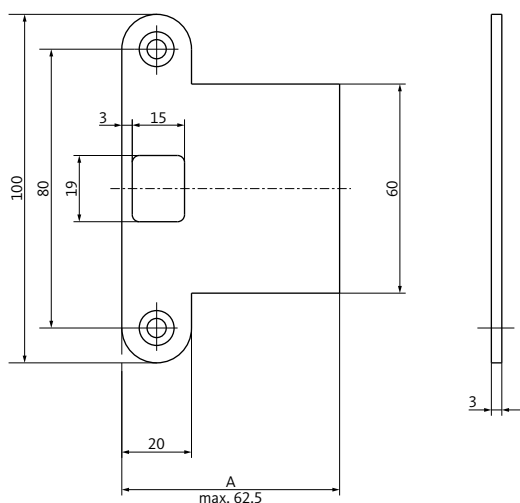
suitable for normal-duty applications, non-handed

Lipped striker

Material/Finish	Dim. A = 62.5 mm	
	Satin stainless steel	Square
	Round	B 9000 0490

Suitable for BKS lock:

- 1895



Lipped striker B 9000

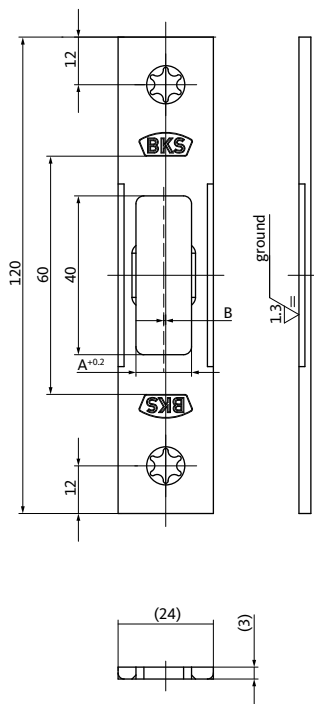
suitable for normal-duty applications, non-handed

Lipped striker

Material/Finish	Dim. A = 62.5 mm	
	Satin stainless steel	Round

Suitable for BKS locks:

- 1795
- 1796



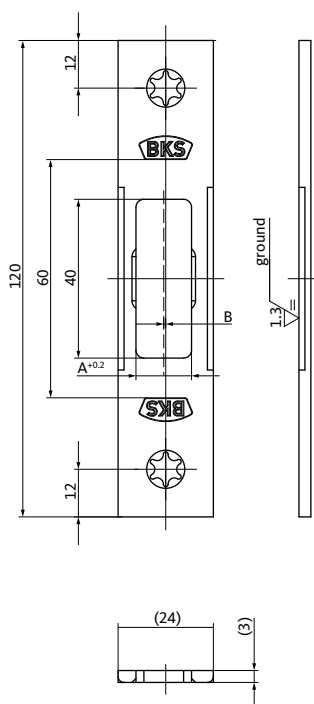
Strikers

for 1-leaf doors with SECURY panic locks, for normal-duty applications, non-handed, with U-strikers with decorative end caps

Strikers		
Material/Finish	Central latchbolt Dim. A = 13,5 mm Dim. B = 0.25 mm	Additional latchbolts Dim. A = 13.5 mm Dim. B = 0.5 mm
Satin stainless steel	Striker 24 x 3 mm	
	9-43501-11-0-8	9-43501-02-0-8
	U-striker 24 x 5 mm	
	6-36048-11-0-8	6-36048-02-0-8
	U-striker 24 x 6 mm	
	6-33616-11-0-8	6-33616-02-0-8
U-striker 24 x 8 mm		
6-33617-11-0-8	6-33617-02-0-8	

Suitable for SECURY panic locks:

- 1910, 1912, 1916, 1966, 1970



Strikers

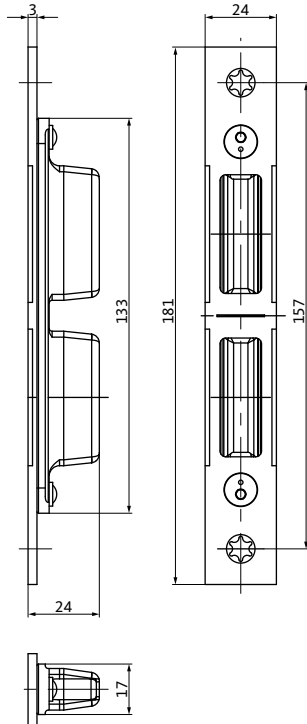
for two-leaf doors with SECURY panic locks, for normal-duty applications, non-handed, with U-strikers with decorative end caps

Strikers	
Material/Finish	Additional latchbolts Dimension A = 13.5 mm Dimension B = 1.0 mm
Satin stainless steel	Striker 24 x 3 mm
	9-43501-03-0-8
	U-striker 24 x 5 mm
	6-36048-03-0-8
	U-striker 24 x 6 mm
	6-33616-03-0-8
U-striker 24 x 8 mm	
6-33617-03-0-8	

Suitable for SECURY panic locks:

- 1911, 1913, 1919, 1967, 1971

Strikers



Strikers

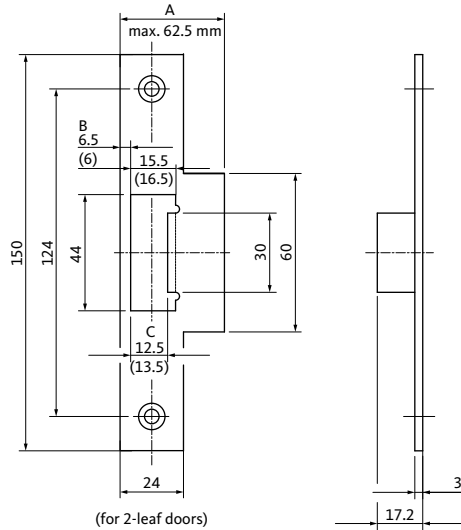
for SECURY ADR (automatic DR bolt) panic locks, for normal-duty applications, non-handed

Strikers

Material/Finish	Additional latchbolts
Satin stainless steel	Striker 24 mm x 3 mm
	6-40007-AA-0-8
	U-striker 24 mm x 6 mm
	6-40007-AC-0-8

Suitable for SECURY panic locks:

- 1910 ADR, 1911 ADR, 1916 ADR, 1917 ADR



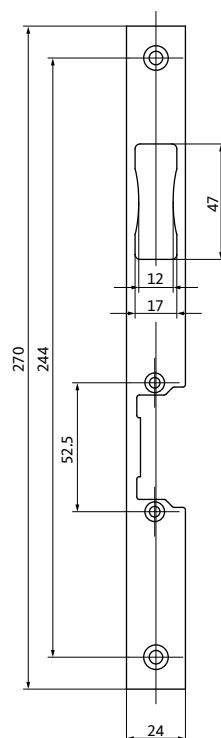
Lipped striker B 9000

for 1-leaf and 2-leaf doors with SECURY panic locks, for normal-duty applications, non-handed

Lipped striker	
Material/Finish	Additional latchbolt – 1-leaf Dim. A = 62.5 mm
Stainless steel	B 9000 0911
	Additional latchbolt – 2-leaf Dim. A = 62.5 mm
	B 9000 0913
	Central latchbolt – 1-leaf Dim. A = 62.5 mm, dim. B = 6 mm, dim. C = 12 mm
	B 9000 0914

Suitable for SECURY panic locks:

- 1910, 1911, 1912, 1913, 1916, 1917, 1970, 1971



B 9000 flat striker

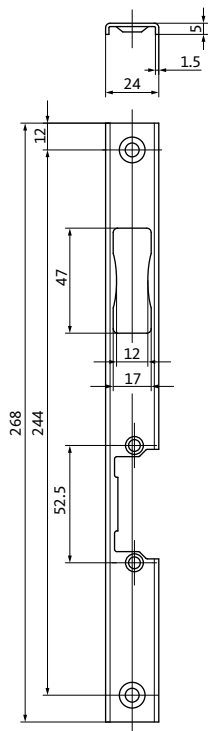
for B 5465 0402 ProFix 2 electric escape door strike

Flat striker 24 x 3 x 270 mm			
Material/Finish	Shape	Order number	
Stainless steel	Square	DIN LH	B-90000-70-L-8
		DIN RH	B-90000-70-R-8

Suitable for BKS locks:

- EVP 1920, 1926

B 9000 U-striker/B 9000 lipped striker



B 9000 U-striker

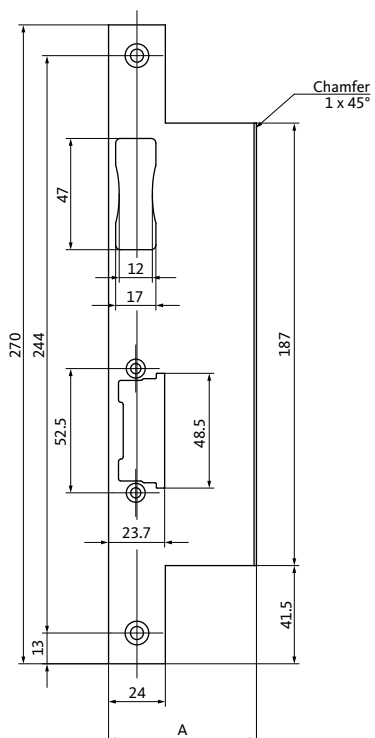
for B 5465 0400 FaFix electric escape door strike

U-striker

Material/Finish	Order number	
Stainless steel	DIN LH	B-90000-84-L-8
	DIN RH	B-90000-84-R-8

Suitable for BKS locks:

- EVP 1920, 1926



Lipped striker B 9000

for B 5465 0402 ProFix 2 electric escape door strike

Lipped striker 24 x 3 x 270 mm

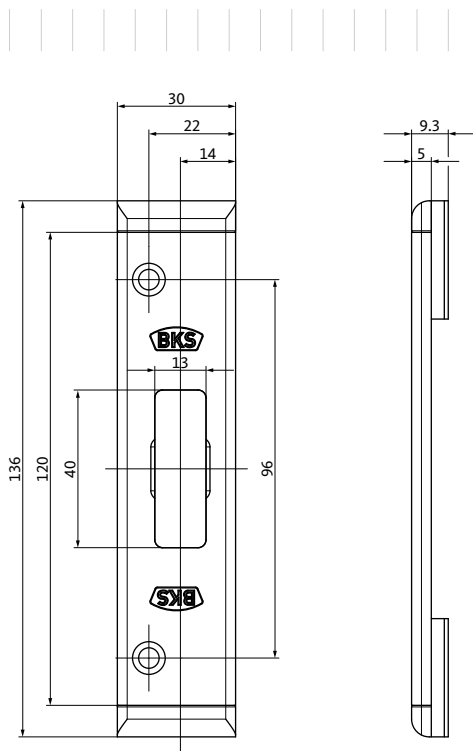
Material/Finish	Shape	Dim. A = 62.5 mm	
Stainless steel	Square	DIN LH	B-90000-82-L-8
		DIN RH	B-90000-82-R-8

Suitable for BKS locks:

- EVP 1920, 1926

Strikers for PVC profiles

For Veka profiles



U-striker

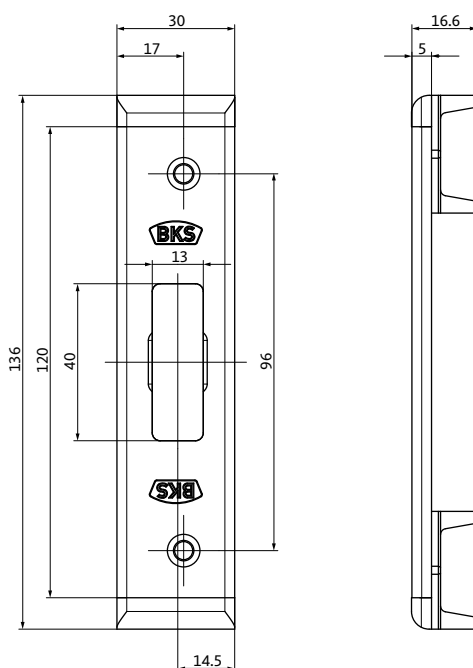
for 1-leaf doors with SECURY panic locks and locks of series 19, for normal-duty applications, with decorative plastic end caps

U-striker

Material/Finish	Central latchbolt	Additional latchbolts
Stainless steel	6-38016-01-0-8	6-38017-01-0-8

Suitable for PVC profiles:

- Veka Topline
- Veka Softline AD70
- Veka Softline 82



U-striker

for 2-leaf doors with SECURY panic locks and locks of series 19, for normal-duty applications, with decorative plastic end caps

U-striker

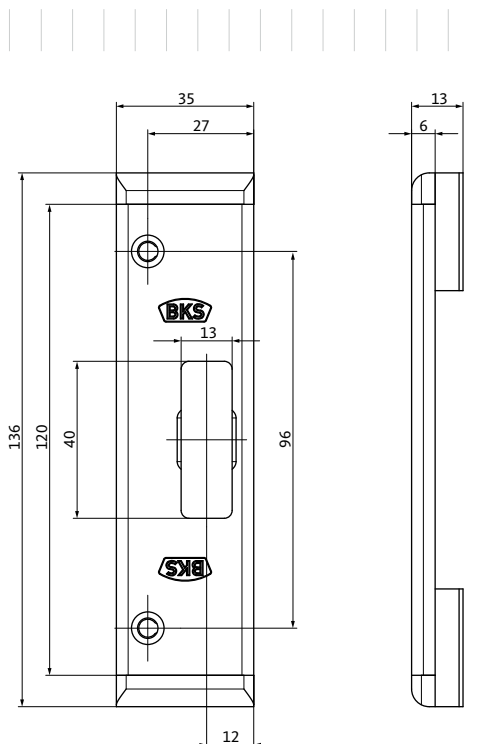
Material/Finish	Central latchbolt	Additional latchbolts
Stainless steel	6-38016-10-0-8	6-38018-10-0-8
	For use with passive-leaf control lock B 1895	
	6-35579-5M-0-1	

Suitable for PVC profiles:

- Veka Topline
- Veka Softline AD70
- Veka Softline 82

Strikers for PVC profiles

For Gealan profiles



U-striker

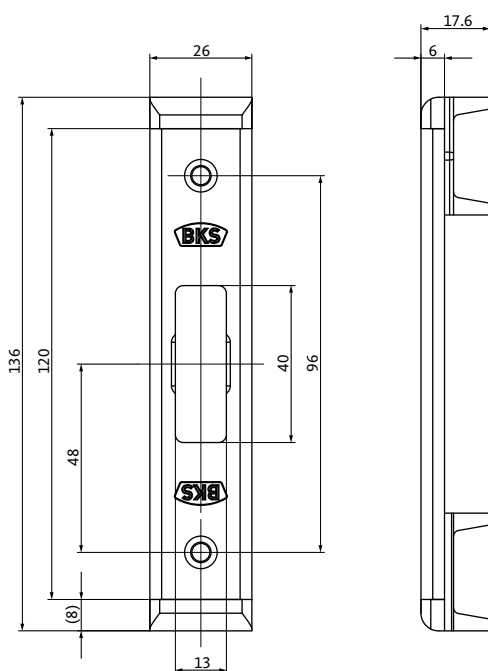
for 1-leaf doors with SECURY panic locks and locks of series 19, for normal-duty applications, with decorative plastic end caps

U-striker

Material/Finish	Central latchbolt	Additional latchbolts
Stainless steel	6-34554-4P-0-8	6-34552-4P-0-8

Suitable for PVC profiles:

- Gealan 8000IQ
- Gealan 9000



U-striker

for 2-leaf doors with SECURY panic locks and locks of series 19, for normal-duty applications, with decorative plastic end caps

U-striker

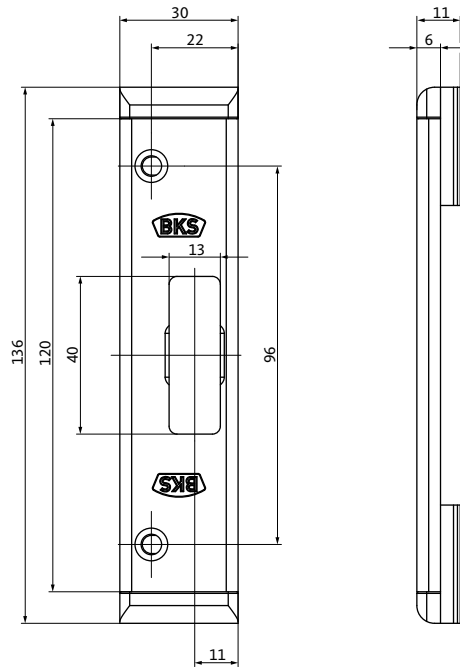
Material/Finish	Central latchbolt	Additional latchbolts
Stainless steel	6-34554-1A-0-8	6-34553-00-0-8
	For use with passive-leaf control lock B 1895	
	6-35579-4P-0-1	

Suitable for PVC profiles:

- Gealan 8000IQ
- Gealan 9000

Strikers for PVC profiles

For Aluplast profiles



U-striker

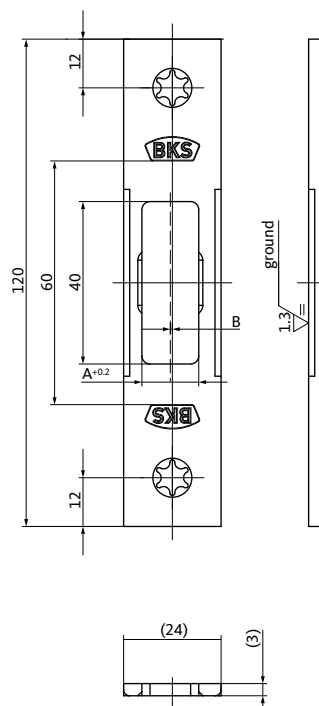
for 1-leaf doors with SECURY panic locks and locks of series 19, for normal-duty applications, with decorative plastic end caps

U-striker

Material/Finish	Central latchbolt	Additional latchbolts
Stainless steel	6-34554-2U-0-8	6-34552-2U-0-8

Suitable for PVC profiles:

- Aluplast Ideal 4000
- Aluplast Ideal 7000



Striker

for 2-leaf doors with SECURY panic locks and locks of series 19, for normal-duty applications

Striker

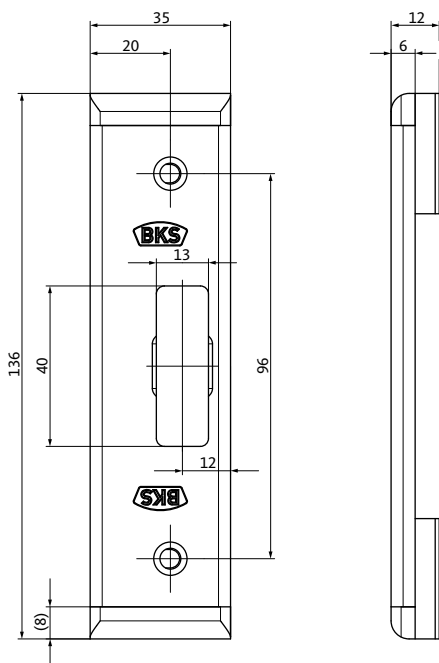
Material/Finish	Central latchbolt Dim. A = 13.5 mm Dim. B = 0.25 mm	Additional latchbolts Dim. A = 13.5 mm Dim. B = 1.0 mm
Stainless steel	9-43501-11-0-8	9-43501-03-0-8
	For use with passive-leaf control lock B 1895	
	6-35579-2U-0-8	

Suitable for PVC profiles:

- Aluplast Ideal 4000
- Aluplast Ideal 7000

Strikers for PVC profiles

For Rehau profiles



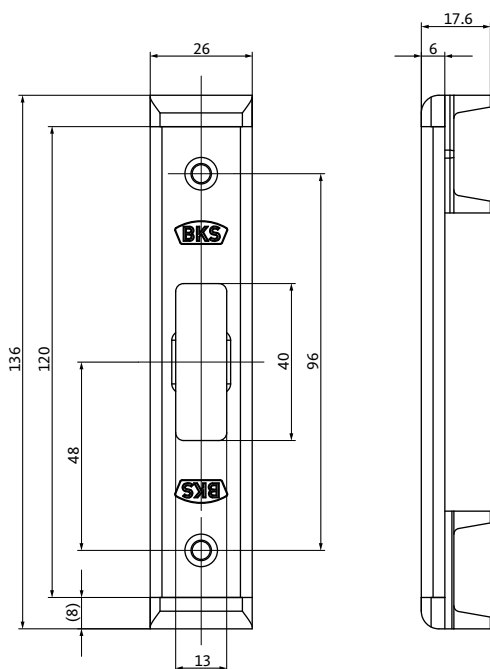
U-striker

for 1-leaf doors with SECURY panic locks and locks of series 19, for normal-duty applications, with decorative plastic end caps

U-striker		
Material/Finish	Central latchbolt	Additional latchbolts
Stainless steel	6-34554-5D-0-8 (Geneo) 6-34554-62-0-8 (Brilliant Design)	6-34552-5D-0-8 (Geneo) 6-34552-62-0-8 (Brilliant Design)

Suitable for PVC profiles:

- Rehau Geneo
- Rehau Brilliant Design



U-striker

for 2-leaf doors with SECURY panic locks and locks of series 19, for normal-duty applications, with decorative plastic end caps

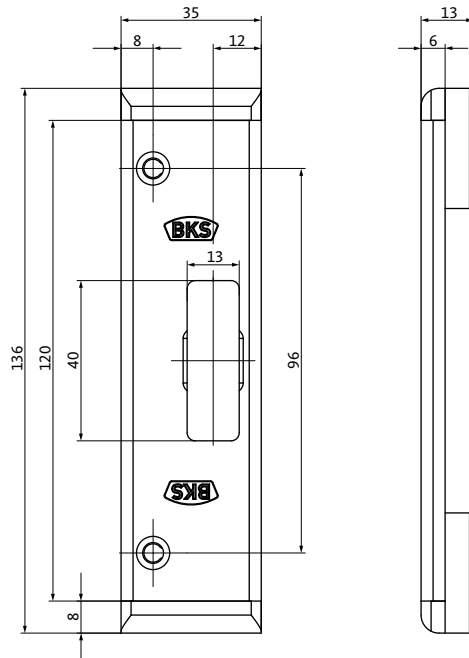
U-striker		
Material/Finish	Central latchbolt	Additional latchbolts
Stainless steel	6-34554-1A-0-8	6-34553-00-0-8
	For use with passive-leaf control lock B 1895	
	6-35579-5D-0-1 (Geneo) 6-35579-62-0-1 (Brilliant Design)	

Suitable for PVC profiles:

- Rehau Geneo
- Rehau Brilliant Design

Strikers for PVC profiles

For Salamander profiles



U-striker

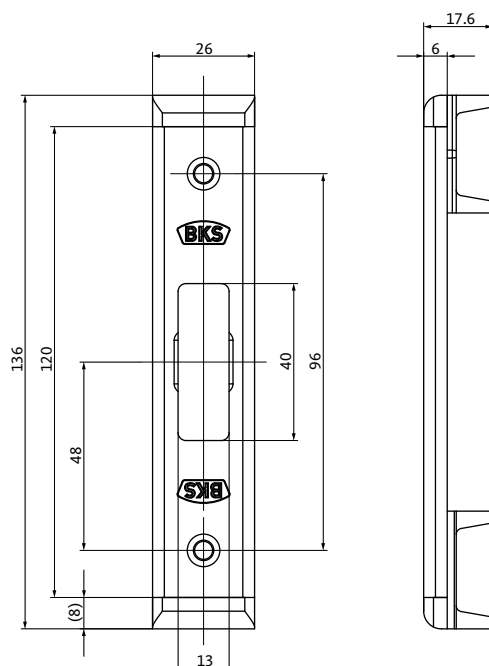
for 1-leaf doors with SECURY panic locks and locks of series 19, for normal-duty applications, with decorative plastic end caps

U-striker

Material/Finish	Central latchbolt	Additional latchbolts
Stainless steel	6-34554-2R-0-8 (Streamline)	6-34552-2R-0-8 (Streamline)
	6-34554-5J-0-8 (bluEvolution 82)	6-34552-5J-0-8 (bluEvolution 82)
	6-34554-5Y-0-8 (bluEvolution 92)	6-34552-5Y-0-8 (bluEvolution 92)
	6-34554-2U-0-8 (Inoutic)	6-34552-2U-0-8 (Inoutic)

Suitable for PVC profiles:

- Salamander Streamline
- Salamander bluEvolution 82
- Salamander bluEvolution 92
- Salamander Inoutic



U-striker

for 2-leaf doors with SECURY panic locks and locks of series 19, for normal-duty applications, with decorative plastic end caps

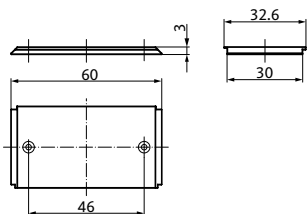
U-striker

Material/Finish	Central latchbolt	Additional latchbolts
Stainless steel	6-34554-1A-0-8	6-34553-00-0-8
	For use with passive-leaf control lock B 1895	
	6-35579-2R-0-1 (Streamline)	6-35579-5J-0-1 (bluEvolution 82)
	6-35579-5Y-0-1 (bluEvolution 92)	

Suitable for PVC profiles:

- Salamander Streamline
- Salamander bluEvolution 82
- Salamander bluEvolution 92

Profile guard plate

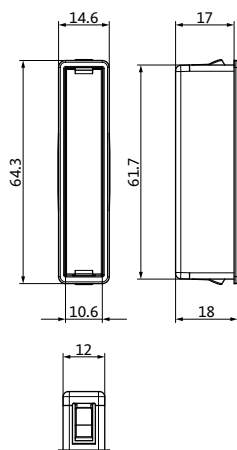


Profile guard plate

Profile guard plate

Order number

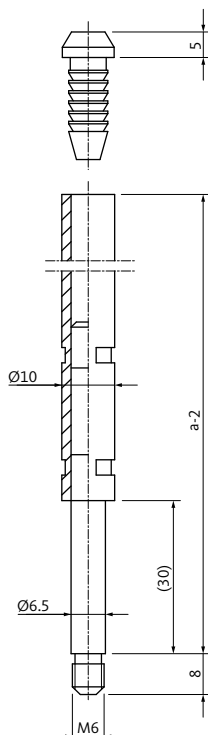
K-19307-01-0-6



Deadbolt cover

Deadbolt cover	
For striker thicknesses	Order number
2 mm	9-50849-01-0-6
3 mm	9-50849-02-0-6

B 9006 vertical rod



Vertical top rod with end plug

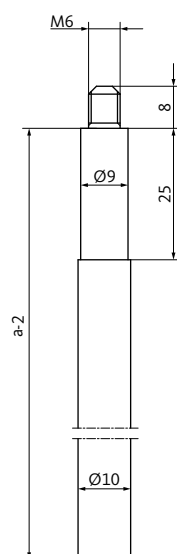
For automatic top-locking of the passive leaf

B 9006 vertical rod Available lengths

Vertical top rod with end plug	
Rod length (a)	Order number
760 mm	B 9006 0018
1010 mm	B 9006 0020
1135 mm	B 9006 0021
1200 mm	B 9006 0012
1385 mm	B 9006 0022
1500 mm	B 9006 0013
2000 mm	B 9006 0014
3000 mm	B 9006 0016

The fabricator must cut the vertical rods to the exact length required.

Separate end plug	B 9039 0001
--------------------------	-------------



Solid vertical rod

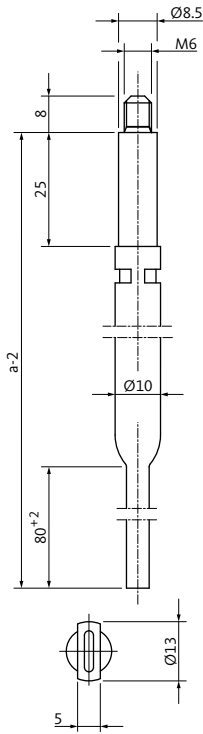
Manual locking of the passive leaf at the top, manual or automatic locking of the passive leaf at the bottom.

B 9006 vertical rod Available lengths

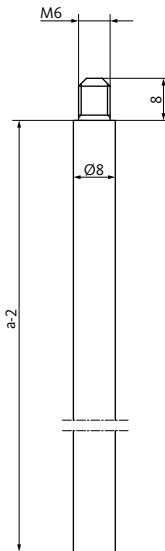
Solid vertical rod	
Rod length (a)	Order number
1187 mm	B 9006 0004
1487 mm	B 9006 0005
2987 mm	B 9006 0008

The fabricator must cut the vertical rods to the exact length required.

B 9006 vertical rod/ B 9036 spring-loaded vertical top rod



for 'Planet' door gasket



for 'Athmer' door gasket

B 9006 solid vertical rod for narrow 'Planet' door gasket

B 9006 vertical rod (type 'Planet') Available lengths

Rod length (a)	Order number
917 mm	B 9006 0700
1414 mm	B 9006 0703
1440 mm	B 9006 0704

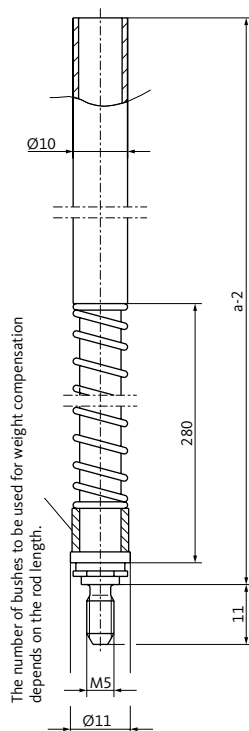
The fabricator must cut the vertical rods to the exact length required.

B 9006 solid vertical rod for 'Athmer' door gasket

B 9006 vertical rod (type 'Athmer') Available lengths

Rod length (a)	Order number
1187 mm	B 9006 0070
1487 mm	B 9006 0071

The fabricator must cut the vertical rods to the exact length required.



B 9036 spring-loaded vertical rod with end plug

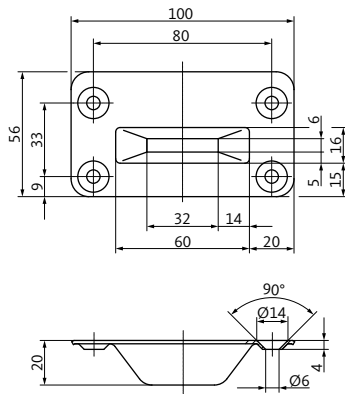
for B 1794 shoot-bolt lock in conjunction
with B 1895 passive-leaf control lock

B 9036 spring loaded vertical top rod with end plug

Door height	Rod length (a)	Order number
2000–2250 mm	1135 mm	B 9036 0001
2250–2500 mm	1385 mm	B 9036 0002
2500–2750 mm	1635 mm	B 9036 0003
2750–3000 mm	1885 mm	B 9036 0004
3000–3250 mm	2135 mm	B 9036 0005
3250–3500 mm	2385 mm	B 9036 0006
3500–3750 mm	2635 mm	B 9036 0007

The fabricator must cut the vertical rods to the exact length required.

B 9009/B-0028 floor striker



B 9009 floor striker

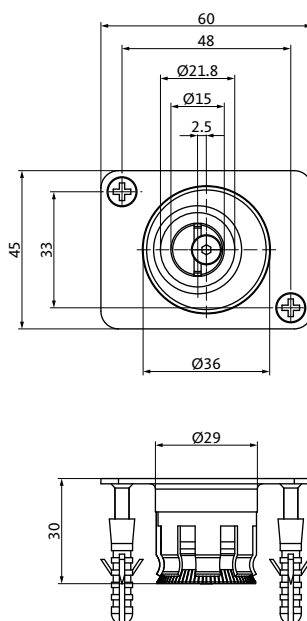
Note:

The conical shape of the floor striker allows a certain tolerance up to the end stop. The continuous folded edge sits flush with the floor. The larger bearing surface must face in the opening direction to prevent the floor being damaged by the vertical rod.

Floor striker

Order number

B 9009 0001



Adjustable floor striker B-0028

Including 60 x 45 mm cover

Adjustment range +/- 4 mm

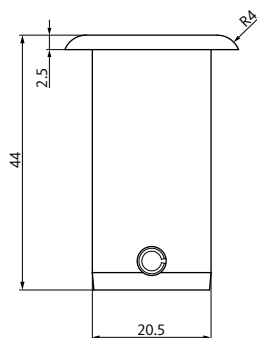
Body made of solid stainless steel

Drilling depth 40 mm

Adjustable floor striker

Order number

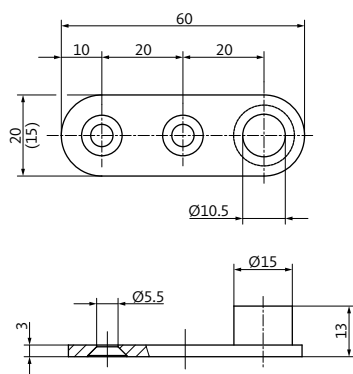
B-00280-20-0-8



B-9003 floor striker

Floor striker for automatic and manual locking on passive leaf. Casing made of nickel-plated brass, plastic cover.

Floor striker
Order number
B-90030-00-0-4



B 9019 guide plate for vertical rod

Note:

1 piece required for automatic locking at bottom

2 pieces required for manual locking at top and bottom

Guide plate for vertical rod	
Shape	Dimension 20 x 60 x 3 mm Non-handed
Round	B 9019 0001
Shape	Dimension 15 x 60 x 3 mm Non-handed
Round	B 9019 0004 for 'Athmer' door gasket

Exchangeable faceplate

Series 18



Loose exchangeable faceplates – series 18

Faceplate Length [mm]	Faceplate Dimensions [mm]	Faceplate Shape	Faceplate Surface	Order number		
270 (268)	16 x 3	Flat faceplate	Square	Satin stainless steel	B 9050 0014	
	20 x 3	Flat faceplate	Square	Satin stainless steel	B 9050 0024	
			Round	Satin stainless steel	B 9050 0025	
	22 x 3	Flat faceplate	Square	Satin stainless steel	B 9050 0004	
	24 x 3	Flat faceplate	Square	Satin stainless steel	B 9050 0012	
				Stainless steel, gold-plated matt	B 9050 0075	
				Stainless steel polished	B 9050 0056	
			Round	Satin stainless steel	B 9050 0022	
				Stainless steel, gold-plated matt	B 9050 0071	
				Stainless steel polished	B 9050 0047	
24 x 6	U-faceplate	Square	Satin stainless steel	B 9050 0019		
270 (268) GFF	20 x 3	Flat faceplate	Square	Satin stainless steel	B 9050 0055	
	24 x 3	Flat faceplate	Square	Satin stainless steel	B 9050 0044	
	24 x 6	U-faceplate	Square	Satin stainless steel	B 9050 0045	
270 left	26 x 12.5	Angled faceplate	Round	Satin stainless steel	B 9050 0048	
270 right	26 x 12.5	Angled faceplate	Round	Satin stainless steel	B 9050 0049	
320 (318)	22 x 3	Flat faceplate	Square	Satin stainless steel	B 9050 0005	
	24 x 3	Flat faceplate	Square	Satin stainless steel	B 9050 0001	
				Stainless steel polished	B 9050 0035	
			Round	Satin stainless steel	B 9050 0006	
				Stainless steel polished	B 9050 0007	
	24 x 5	U-faceplate	Square	Satin stainless steel	B 9050 0003	
	24 x 6	U-faceplate	Square	Satin stainless steel	B 9050 0002	
29.5 x 3	Flat faceplate	Square	Satin stainless steel	B 9050 0023		
320 (318) GFF	24 x 3	Flat faceplate	Square	Satin stainless steel	B 9050 0054	
370	24 x 3	Flat faceplate	Round	Satin stainless steel	B 9050 0046	
395	24 x 3	Flat faceplate	Square	Satin stainless steel	B 9050 0017	
B 1793	310 left	22/40.4 (ET8)	Lipped faceplate	Square	Satin stainless steel	B 9050 0073
	310 right	22/40.4 (ET8)	Lipped faceplate	Square	Satin stainless steel	B 9050 0072

GFF = Key-controlled latch holdback



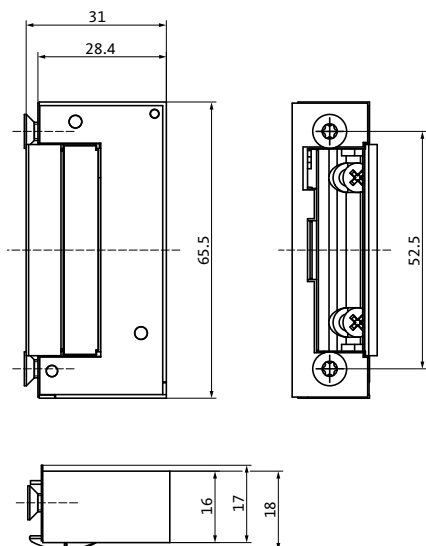
Loose exchangeable faceplates – series 19

Faceplate Length [mm]	Faceplate Dimensions [mm]	Faceplate Shape		Faceplate Surface	Order number
270 (268)	16 x 3	Flat faceplate	Square	Satin stainless steel	B 9051 0006
	20 x 3	Flat faceplate	Square	Satin stainless steel	B 9051 0007
	22 x 3	Flat faceplate	Square	Satin stainless steel	B 9051 0023
	24 x 3	Flat faceplate	Square	Satin stainless steel	B 9051 0008
	24 x 6	U-faceplate	Square	Satin stainless steel	B 9051 0025
	28 x 3	Flat faceplate	Square	Satin stainless steel	B 9051 0004
	Round		Satin stainless steel	B 9051 0005	
270 (268) GFF	24 x 3	Flat faceplate	Square	Satin stainless steel	B 9051 0017
320 (318)	24 x 3	Flat faceplate	Square	Satin stainless steel	B 9051 0001
	24 x 5	U-faceplate	Square	Satin stainless steel	B 9051 0003
	24 x 6	U-faceplate	Square	Satin stainless steel	B 9051 0002
	29,5 x 3	Flat faceplate	Square	Satin stainless steel	B 9051 0016
320 (318) GFF	24 x 3	Flat faceplate	Square	Satin stainless steel	B 9051 0009
330	24 x 3	Flat faceplate	Round	Satin stainless steel	B 9051 0014
395	24 x 3	Flat faceplate	Square	Satin stainless steel	B 9051 0021

GFF = Key-controlled latch holdback

GU-BKS electric strike ET 8

Standard versions



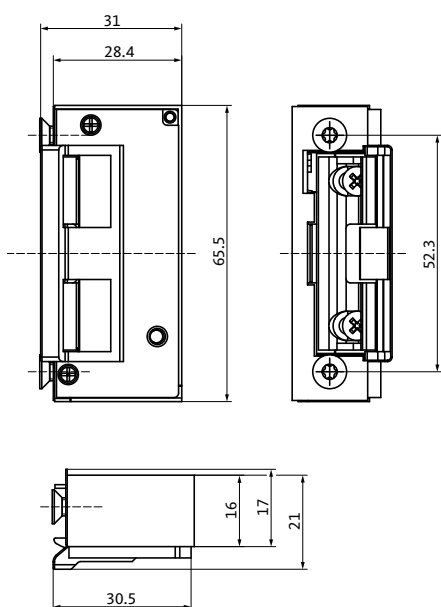
GU-BKS electric strike ET 8 without latch slide cover

Performance features:

Non-handed, small size, with radius keeper, reverse polarity and overvoltage protection, offers high resistance against break in attempts, optimum adaptation to the frame profile

GU-BKS electric strike

Description	Voltage range	Order number
Fail-secure	9–24 V AC/DC	6-35804-01-0-1
Fail-secure with mechanical override	9–24 V AC/DC	6-35804-02-0-1
Fail-secure with monitoring contact	9–24 V AC/DC	6-35804-03-0-1
Fail-safe	9–24 V DC	6-35806-01-0-1
Fail-safe with monitoring contact	9–24 V DC	6-35806-03-0-1



GU-BKS electric strike ET 8 with latch slide cover

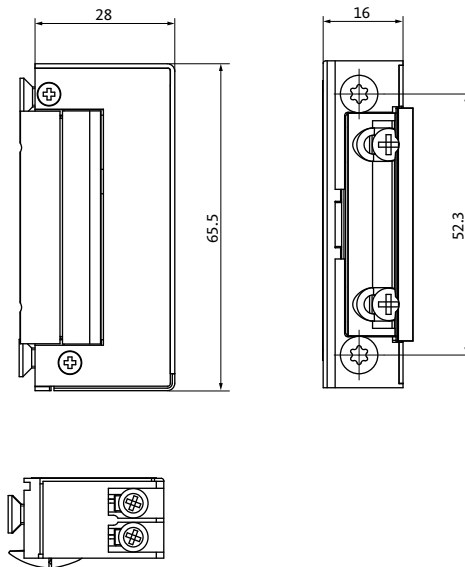
Performance features:

Non-handed, small size, with radius keeper, reverse polarity and overvoltage protection, offers high resistance against break in attempts, optimum adaptation to the frame profile

GU-BKS electric strike

Description	Voltage range	Order number
Fail-secure	9–24 V AC/DC	6-35805-01-0-1
Fail-secure with mechanical override	9–24 V AC/DC	6-35805-02-0-1
Fail-secure with monitoring contact	9–24 V AC/DC	6-35805-03-0-1
Fail-safe	9–24 V DC	6-35807-01-0-1
Fail-safe with monitoring contact	9–24 V DC	6-35807-03-0-1

For more information, please see order catalogue "GU-BKS electric strikes ET 8 (WP00310)".



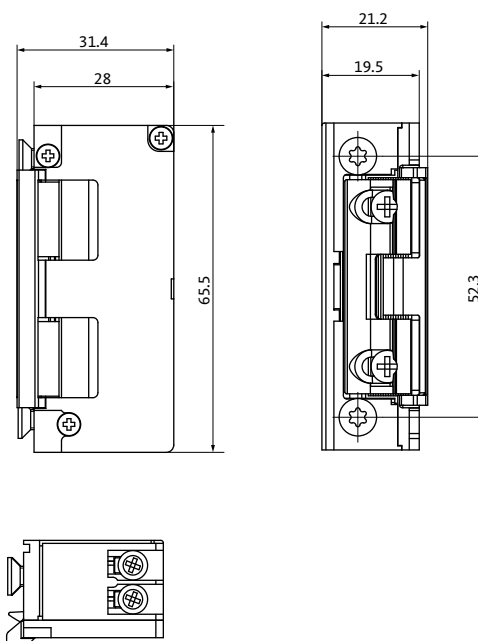
GU-BKS electric strike ET 8 without latch slide cover Fire rated version

Performance features:

Non-handed, small size, with radius keeper, reverse polarity and overvoltage protection, offers high resistance against break in attempts, optimum adaptation to the frame profile

GU-BKS electric strike

Description	Voltage range	Order number
Fail-secure	9-24 V AC/DC	B-92510-00-0-8
	22-26 V AC/DC	B-92510-01-0-8
Fail-secure with monitoring contact	9-24 V AC/DC	B-92510-02-0-8
	22-26 V AC/DC	B-92510-03-0-8
Fail-secure with high-preload controller	6-28 V AC/DC	B-92510-20-0-8
Fail-secure with monitoring contact and high-preload controller	6-28 V AC/DC	B-92510-21-0-8



GU-BKS electric strike ET 8 with latch slide cover Fire rated version

Performance features:

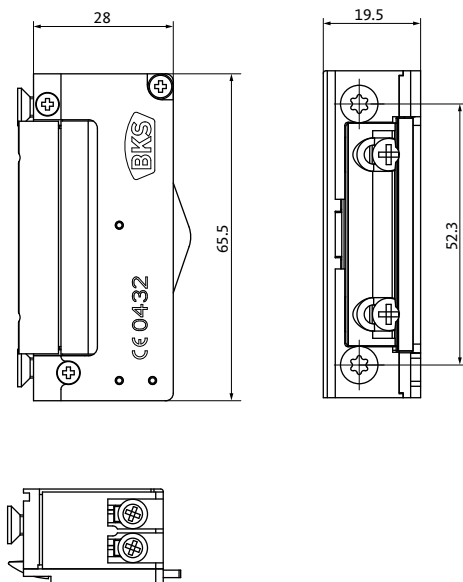
Non-handed, small size, with radius keeper, reverse polarity and overvoltage protection, offers high resistance against break in attempts, optimum adaptation to the frame profile

GU-BKS electric strike

Description	Voltage range	Order number
Fail-secure	9-24 V AC/DC	B-92510-10-0-8
	22-26 V AC/DC	B-92510-11-0-8
Fail-secure with monitoring contact	9-24 V AC/DC	B-92510-12-0-8
	22-26 V AC/DC	B-92510-13-0-8
Fail-secure with high-preload controller	6-28 V AC/DC	B-92510-30-0-8
Fail-secure with monitoring contact and high-preload controller	6-28 V AC/DC	B-92510-31-0-8

GU-BKS electric strike ET 8 METÖ

Standard versions



GU-BKS electric strike ET 8 METÖ for 2-leaf doors without latch slide cover

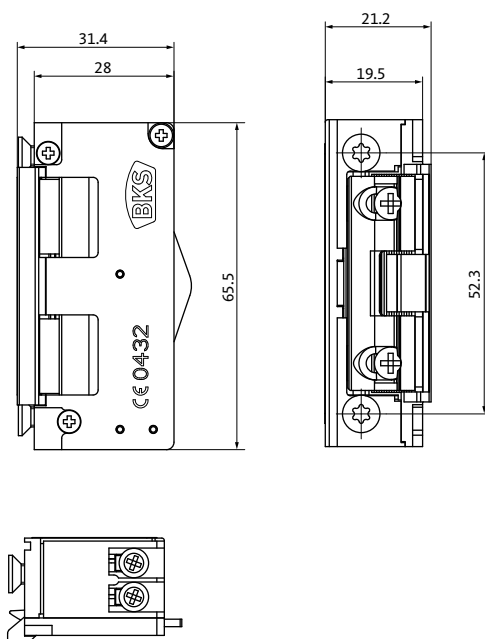
Performance features:

Non-handed, small size, with radius keeper, reverse polarity and overvoltage protection, offers high resistance against break in attempts, optimum adaptation to the frame profile

GU-BKS electric strike

Description	Voltage range	Order number
Fail-secure	9–24 V AC/DC	B-92520-20-0-8
	22–26 V AC/DC	B-92520-21-0-8
Fail-secure with monitoring contact	DIN left	DIN right
	9–24 V AC/DC	
	B-92520-22-L-8	B-92520-22-R-8
	22–26 V AC/DC	
	B-92520-23-L-8	B-92520-23-R-8

Electric strike DIN left: Active leaf DIN left
Passive leaf DIN right
Electric strike DIN right: Active leaf DIN right
Passive leaf DIN left



GU-BKS electric strike ET 8 METÖ for 2-leaf doors with latch slide cover

Performance features:

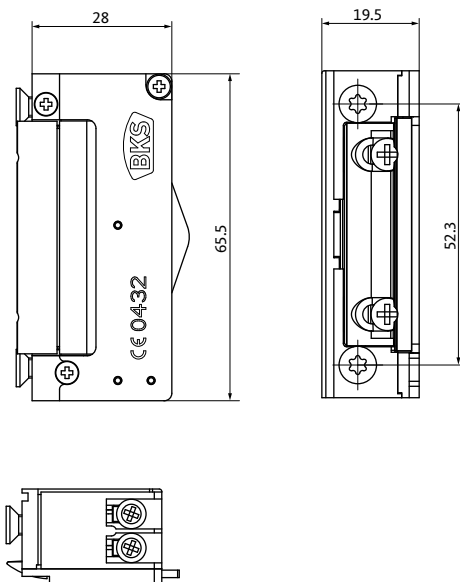
Non-handed, small size, with radius keeper, reverse polarity and overvoltage protection, offers high resistance against break in attempts, optimum adaptation to the frame profile

GU-BKS electric strike

Description	Voltage range	Order number
Fail-secure	9–24 V AC/DC	B-92520-00-0-8
	22–26 V AC/DC	B-92520-01-0-8
Fail-secure with monitoring contact	DIN left	DIN right
	9–24 V AC/DC	
	B-92520-02-L-8	B-92520-02-R-8
	22–26 V AC/DC	
	B-92520-03-L-8	B-92520-03-R-8

Electric strike DIN left: Active leaf DIN left
Passive leaf DIN right
Electric strike DIN right: Active leaf DIN right
Passive leaf DIN left

For more information, please see order catalogue "GU-BKS electric strikes ET 8 (WP00310)".



GU-BKS electric strike ET 8 METÖ for 2-leaf doors without latch slide cover fire rated version

Performance features:

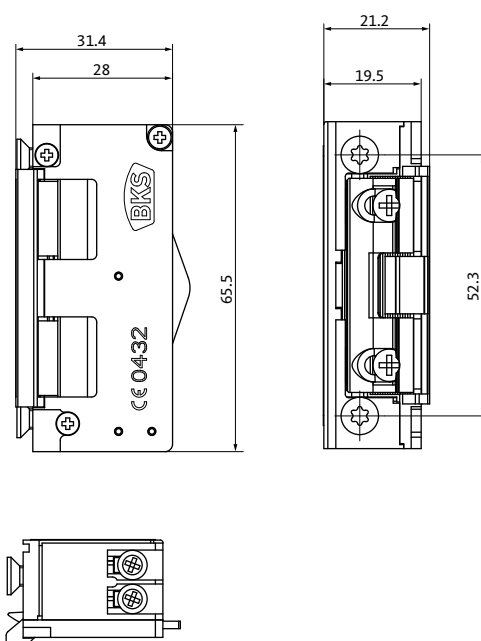
Non-handed, small size, with radius keeper, reverse polarity and overvoltage protection, offers high resistance against break in attempts, optimum adaptation to the frame profile

GU-BKS electric strike

Description	Voltage range	Order number
Fail-secure	9–24 V AC/DC	B-92520-30-0-8
	22–26 V AC/DC	B-92520-31-0-8
Fail-secure with monitoring contact	DIN left	DIN right
	9–24 V AC/DC	
	B-92520-32-L-8	B-92520-32-R-8
	22–26 V AC/DC	
	B-92520-33-L-8	B-92520-33-R-8

Electric strike DIN left: Active leaf DIN left
Passive leaf DIN right

Electric strike DIN right: Active leaf DIN right
Passive leaf DIN left



GU-BKS electric strike ET 8 METÖ for 2-leaf doors with latch slide cover fire rated version

Performance features:

Non-handed, small size, with radius keeper, reverse polarity and overvoltage protection, offers high resistance against break in attempts, optimum adaptation to the frame profile

GU-BKS electric strike

Description	Voltage range	Order number
Fail-secure	9–24 V AC/DC	B-92520-10-0-8
	22–26 V AC/DC	B-92520-11-0-8
Fail-secure with monitoring contact	DIN left	DIN right
	9–24 V AC/DC	
	B-92520-12-L-8	B-92520-12-R-8
	22–26 V AC/DC	
	B-92520-13-L-8	B-92520-13-R-8

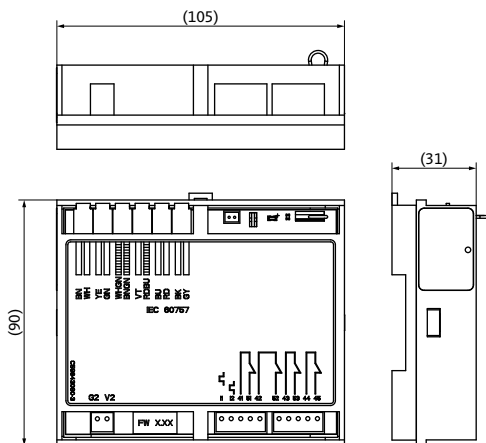
Electric strike DIN left: Active leaf DIN left
Passive leaf DIN right

Electric strike DIN right: Active leaf DIN right
Passive leaf DIN left

For more information, please see order catalogue "GU-BKS electric strikes ET 8 (WP00310)".

Control units/Emergency power buffer

For motor-driven shoot-bolt locks B-1893/B-1993



Control units for B-1893/B-1993 motor-driven shoot-bolt locks including service plug

Technical data:

- Operating voltage: 24 V DC ± 10%
- Operating current: 2–4.2 A max.
- Standby: 100 mA max.

Control unit

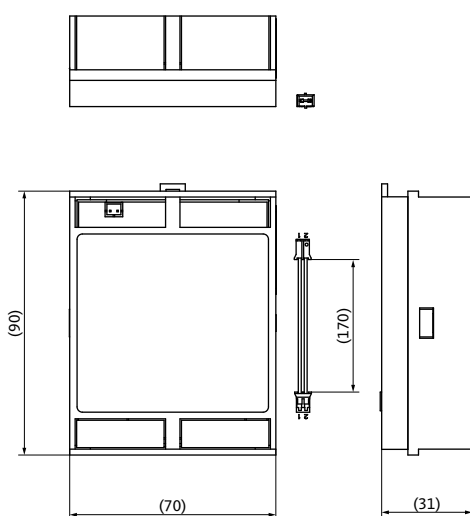
Order number
B-54900-01-3-9

SHEV control unit

Order number
B-54900-01-4-9

DIN rail enclosure for motor-driven controller/SHEV control unit

Order number
B 5495 0251



Emergency power buffer for motor-driven shoot-bolt locks B-1893/B-1993

An external emergency power supply or emergency power buffer B-54903-23-3-9 is a mandatory requirement for fire protection approval.

Emergency power buffer

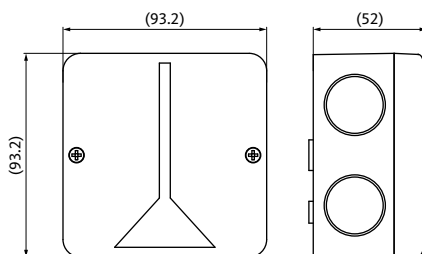
Order number
B-54903-23-3-9

DIN rail enclosure for emergency power buffer

Order number
B 5495 0251

I/O module

For electrically coupled panic locks B-197x/B-198x



I/O module EK

The purpose of the I/O module EK is to establish secure data transmission (bus connection) between the electrically coupled lock and actuating element.

I/O module EK

Order number
B-54900-03-3-9

Radio transmitter/Radio receiver



Radio receiver with two outputs

Radio receiver	
Description	Order number
Radio receiver	B-55280-02-0-6

Can be used with all mechatronic locks such as electrically coupled panic locks 197x, motor-driven locks 195x and SECURY 19 with A-opener.



Radio transmitter for installation in switch boxes

Radio transmitter	
Description	Order number
Radio transmitter	B-55281-03-1-9

Suitable for use, e.g. for elbow push-button or key switch.



Handheld radio transmitter with one button

Handheld radio transmitter

Description	Order number
Handheld radio transmitter – 1 button	B-55281-01-0-9

Can be used with all motor-driven solutions of the Gretsch-Unitas group.



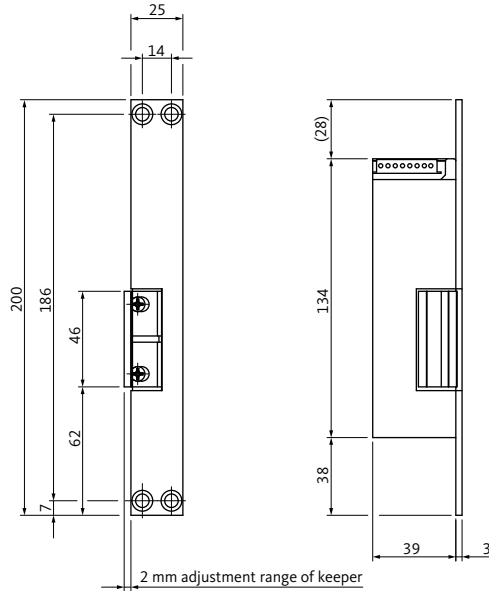
Handheld radio transmitter with four buttons

Handheld radio transmitter

Description	Order no.
Handheld radio transmitter – 4 buttons	B-55281-02-0-9

Can be used with all motor-driven solutions of the Gretsch-Unitas group.

B 5465 electric escape door strike



B 5465 electric escape door strike (type 331), fail-safe

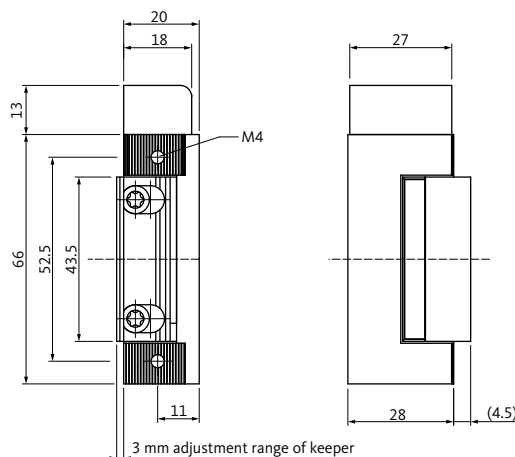
With integral monitoring and armature contact; the electric escape door strikes listed are approved locking elements in compliance with EltVTR.

Electric escape door strike

Specification		Order number
FaFix electric escape door strike Flat striker	DIN LH	B 5465 0020
	DIN RH	B 5465 0030
FaFix electric escape door strike Angled striker	DIN LH	B 5465 0120
	DIN RH	B 5465 0130
Latch lock for electric escape door strikes	Square	B 5495 0010
	Round	B 5495 0011

Operating voltage: 24 V DC

Current consumption: 160 mA



B 5465 electric escape door strike (type 332), fail-safe

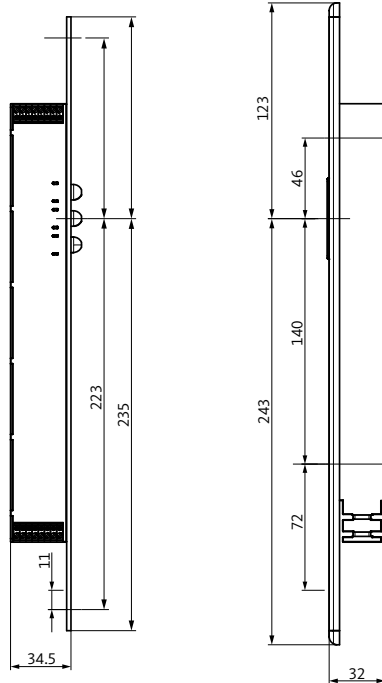
The electric escape door strike is used for the electric locking of escape doors. It is used together with an EVP electrically-locking panic lock and a FTNT10/20 escape door control unit.

Electric escape door strike

Specification	Order number
FaFix	B 5465 0400
ProFix 2	B 5465 0402

Operating voltage: 24 V DC

Current consumption: 95 mA



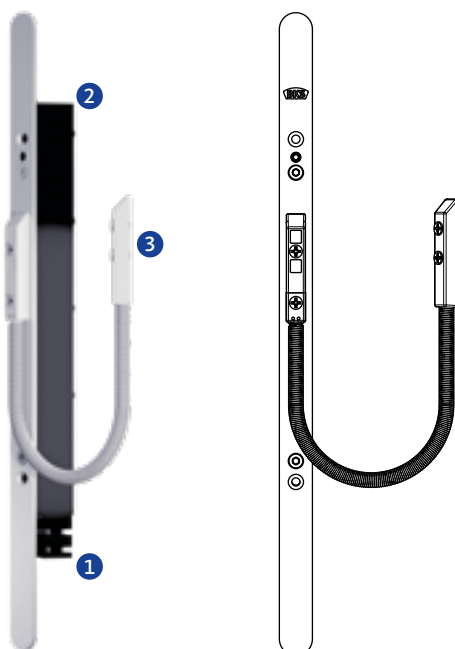
Dimensioned drawing
(example for aluminium)

SECUREconnect

More security and convenience for all mechatronic locks. SECUREconnect 200 for wireless power and data transmission between frame and door leaf – the secure energy and data transmission system is suitable for all mechatronic locks of the Gretsch-Unitas group and will be expanded in the new generation to include an access control interface for activation of fingerprint scanners or code keypads.

SECUREconnect

Specification	SECUREconnect 200	SECUREconnect 50
Data transmission	■	-
Power transmission	■	■
Integral power supply unit	■	■
Concealed	■	■
Detachable	■	■
Opening angle	Unlimited	Unlimited
Order number	B-55600-20-4-6	B-55600-34-4-6



Values

- ① 230 V AC, 50 HZ
- ② 24 V DC, 200 mA
- ③ 24 V DC, 1 A

Cable link with integrated power supply unit

Description	Order number
6-pin	B 5527 0200

Accessories

Faceplate variants

Specifications	Order number
20 x 350 x 2.5 mm Round	B 5527 0210
24 x 350 x 2.5 mm Round	B 5527 0211
20 x 350 x 2.5 mm Square	B 5527 0214
24 x 350 x 2.5 mm Square	B 5527 0212

Case for holding the power supply unit

Specifications	Order number
20 x 230 x 26.5 mm	B 5527 0230

Cable links



Cable link

Use:

Protection of electrical cables (frame to door leaf) with a diameter of up to 10 mm. This is required for example when using follower monitoring contact B 9032, electrical latch and/or deadbolt monitoring and monitored escape door locks.

The cable links protect extra-low voltage cables in doors against mechanical damage when the door is opened and closed. The concealed installation ensures protection against unauthorised access.

Cable links	
Cable links, concealed	Order number
Sizes 24 x 260 x 17 mm/installation channel on one side/ inner diameter 10 mm/opening up to 100°	6-29854-00-0-0
Sizes 24 x 480 x 17 mm/installation channel on one side/ inner diameter 10 mm/opening up to 180°	6-29942-00-0-0
Sizes 20 x 350 x 15 mm/installation channel on one side/ inner diameter 8 mm/opening up to 180°	6-30809-00-0-0
Flexible length 370 mm/without installation channel/ inner diameter 10 mm/opening up to 180°	9-39237-00-0-0
Flexible length 241 mm/without installation channel/ inner diameter 8 mm/opening up to 180°	9-41419-00-0-0
Cable links, face-fixed	Order number
500 mm length/white	B 5527 0100



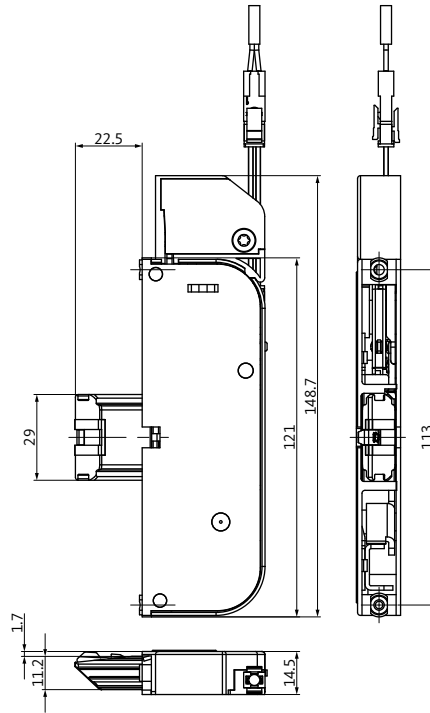
Detachable cable link

Use:

Protection of electrical cables (frame to door leaf) with a diameter of up to 10 mm. This is required for example when using follower monitoring contact B 9032, electrical latch and/or deadbolt monitoring and monitored escape door locks.

The cable links protect extra-low voltage cables in doors against mechanical damage when the door is opened and closed.

Cable links	
Cable link, detachable, concealed	Order number
Sizes 24 x 490 x 18.5 mm/ without installation channel/10-pole version	6-35193-00-0-8
Sizes 24 x 519 x 17.5 mm/ installation channel on one side/10-pole version	6-35194-00-0-8
Installation kit for timber doors/ sizes 24 x 18 mm (packer for timber frame)	6-35195-00-0-0

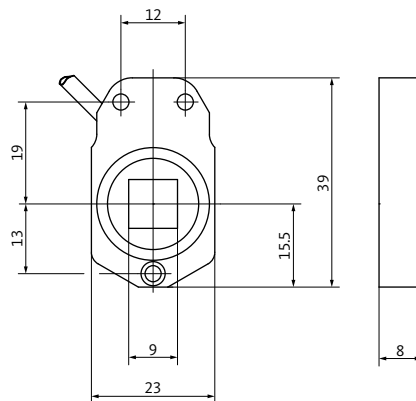


Additional lock for SECURY multi-point lock

Latchbolt monitoring

Additional lock

Additional lock set with query	Order number
DIN left	K-16538-01-0-1
DIN right	K-16538-00-0-1
6 m connecting cable included	



B 9032 follower monitoring contact

Technical data:

- Follower: 9 mm
- Connection: opening or closing
- Current: 35 mA (max.)
- Voltage: 28 V DC (max.)

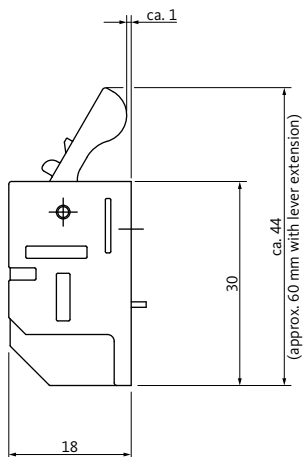
Follower monitoring contact

Panic function	Order number
Opener	B 9032 0000
Closer	B 9032 0001

Connecting cable

Length	Order number
4 m	B 5490 0100
8 m	B 5490 0101

Monitoring contact/Emergency power buffer



B 9033 deadbolt monitoring contact

Technical data:

- Switching contact: change-over contact
- Contact load: max. 3 W
- Current: 5–300 mA
- Approval: VdS C
- Protection code: IP67

Deadbolt monitoring contact

Order number
B 9033 0000

Suitable for strikers B-9000
from 268 mm length

- Flat striker B-90000-08-0-8
- U-striker B-90000-28-0-8



Emergency power buffer B 5490

In the event of a power failure, the emergency power buffer ensures that there is sufficient power to project the latchbolt into its locked position (obligatory for fire protection doors). The emergency power buffer blocks the electrical activation of the lock as long as no mains voltage is available. During commissioning or once the mains voltage has been restored, the lock can be activated again electrically.

Technical data:

- Casing (LxWxH): 100 x 24 x 15 mm
- Operating voltage: 24 V DC \pm 15%
- Current consumption: 1 A max.
- Standby: 30 mA max.

Emergency power buffer

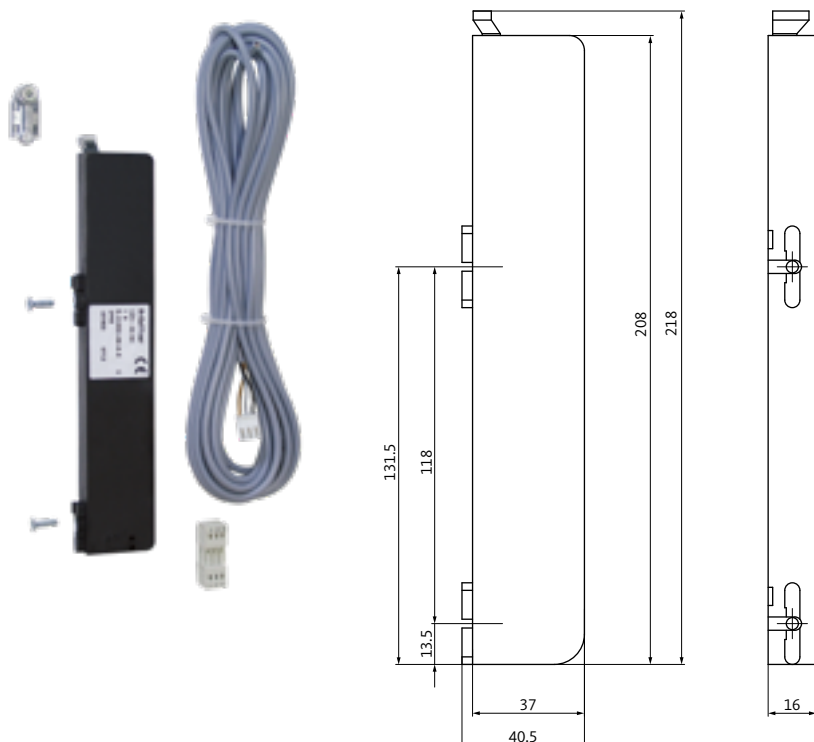
Used for	Order number
B 1956/B 1959 motor-driven lock	B 5490 0301
A-opener	B 5490 0303



B 5490 connecting cable

Connecting cable for monitoring the escape door, deadbolt, latch and follower and for electrically coupled locks

Connecting cable		
Used for	Length	Order number
Series 13	4 m	B 5490 0100
	8 m	B 5490 0101
Series 18 Series 19	10 m	B 5490 0300
Replacement for A-opener connecting cable	6 m	K-15442-01-0-1
Cable protection hose for motor-driven shoot-bolt locks B-1893/B-1993	2 m	B 5490 0308



A-opener kit

for SECURY multi-point lock

Technical data:

- Nominal voltage: 12 V AC/12–24 V DC (stabilised)
- Current consumption: max. 1 A
- Protection code: IP40
- Lifting force: max. 70 N

A-opener kit

Order number
K-18153-01-0-0
6 m connecting cable and carrier included

Optional:

B 5490 0303 emergency power buffer (see page 426)



Door hardware for escape doors to EN 1125



Electrically-locking Touch Bar EVT	430
B-7441 touch bar	432
B-7443 touch bar with short backplate	434
B-7400 push bar with backplate	436
B-7401 push bar	438
B-7402 cranked push bar	440
B-7403 cranked push bar with backplate	442
Push bar sets Face-fixed panic exit devices according to EN 1125	444
Accessories	456

For more information on lever sets, please refer to our planning guide and order catalogue "Door hardware and handles for windows and sliding door elements".



Electrically-locking Touch Bar EVT



Product information

Integration of an escape door locking complying with EltVTR into a Touch Bar on 1- or 2-leaf escape doors. The LED display on the electrically-locking Touch Bar EVT clearly signals the status as "locked" or "unlocked". When locked, the door is always secured by the locking points of the panic lock. The EVT Touch Bar prevents functional impairments and/or damage of the door from attempts to gain unauthorised access.

10 m connecting cable included

Technical data:

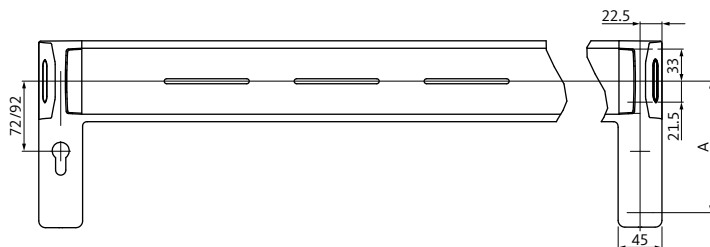
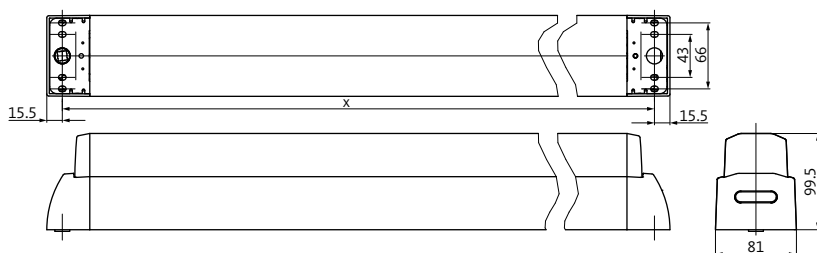
Supply voltage of LED: 24 V DC/100 mA

Nominal voltage: 24 V DC \pm 10%

Current consumption: 100 mA

Monitoring contact: 24 V DC/100 mA

Can be used in conjunction with the FTNT10/20 escape door control units. The Touch Bar can be networked via the BKS-NET door bus coupler.



Dimension A:
for PC hole-type, distance 72 mm = 112 mm
for PC hole-type, distance 92 mm = 135 mm

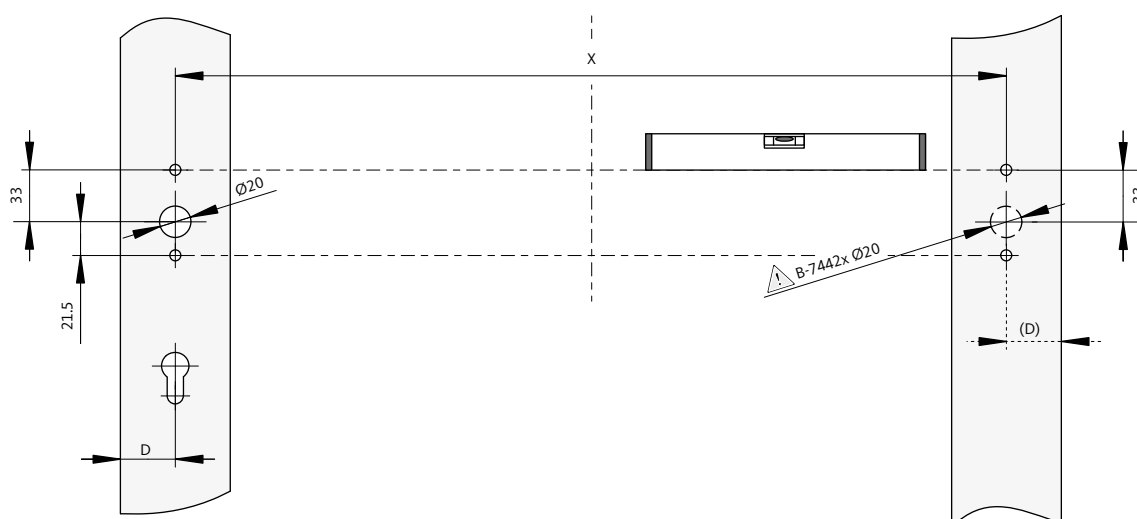


Some products in this series are suitable for



Electrically-locking Touch Bar EVT

Type of set	Order number
Active leaf/passive leaf, DIN left/right for narrow stile doors	B-7442
Active leaf/passive leaf, DIN left/right for timber and steel doors	B-7444



Please specify when ordering:

Description		Order number
Quantity [piece]	_____ pc	
Gangflügel		
Installation dimension X [in mm] (min. 770 mm, max. 1458 mm)	_____ mm	
DIN direction	<input type="checkbox"/> Left-hand	<input type="checkbox"/> Right-hand
Material	<input type="checkbox"/> Aluminium F1	<input type="checkbox"/> Stainless steel
Cylinder hole-type	<input type="checkbox"/> PC 72 mm	<input type="checkbox"/> PC 92 mm
	<input type="checkbox"/> Without PC hole	<input type="checkbox"/> CH-RC 74 mm
	<input type="checkbox"/> CH-RC 94 mm	B-7444
		B-7442
Passive leaf		
Installation dimension X [in mm] (min. 770 mm, max. 1458 mm)	_____ mm	
DIN direction	<input type="checkbox"/> Left-hand	<input type="checkbox"/> Right-hand
Material	<input type="checkbox"/> Aluminium F1	<input type="checkbox"/> Stainless steel

B-7441 touch bar

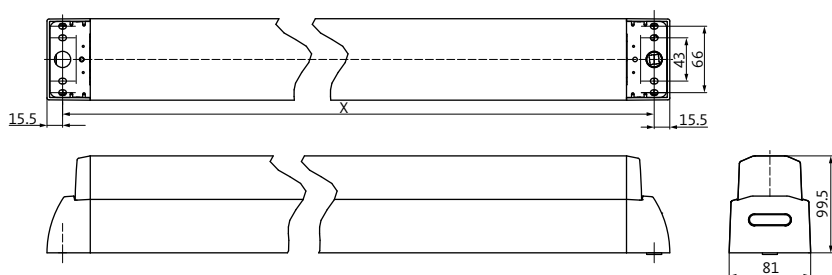


Product information

- BKS touch bar for use on smoke and fire protection doors and escape doors to DIN 18273, DIN 4102 and EN 1634
- With integral gear, 9 mm square size, and hold-up spring
- Approval to EN 1125 only in combination with approved BKS locks
- For use on active and passive door leaves
- Non-handed
- Material/Finish:
 - Satin stainless steel
 - Aluminium, F1
- Including fixing accessories

Note:

Dimension X must be specified when ordering the touch bar.



Some products in this series are suitable for



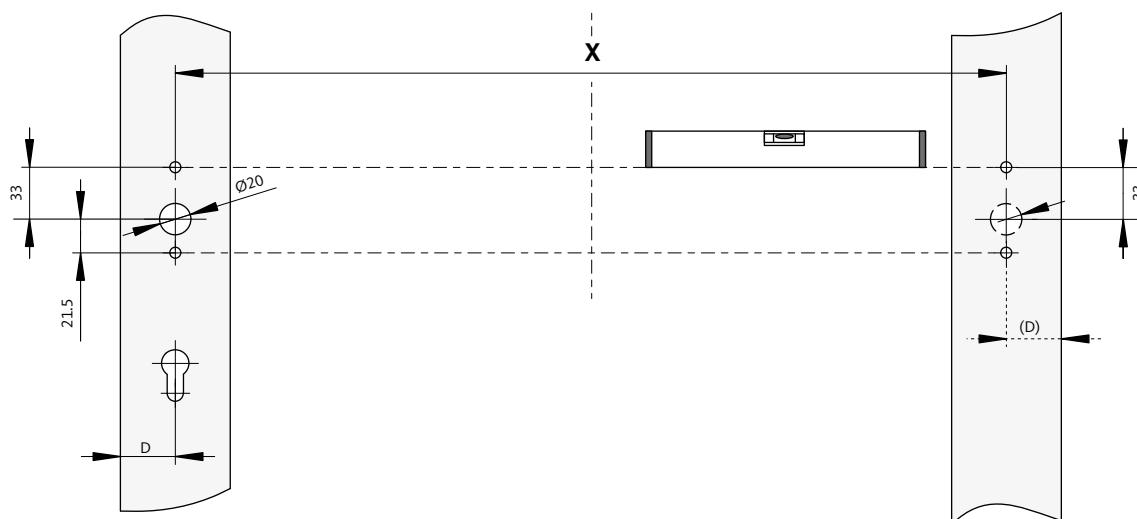
B- 7441 touch bar to EN 1125

Type of set	Dim. X	Satin stainless steel	Aluminium F1	Aluminium F1 with black plastic end caps
Active leaf/passive leaf DIN LH/DIN RH	660 [1]	B-74410-00-0-8	B-74410-00-0-1	B-74410-00-0-6
	808 mm [2]	B-74410-01-0-8	B-74410-01-0-1	B-74410-01-0-6
	1158 mm [2]	B-74410-02-0-8	B-74410-02-0-1	B-74410-02-0-6
	1458 mm [2]	B-74410-03-0-8	B-74410-03-0-1	B-74410-03-0-6

[1] Can be cropped to dimension x = 355 mm
 [2] Can be cropped to dimension x = 660 mm

PC rosette

Type of set	Backplate design	Cylinder hole-type	Satin stainless steel	Silver/EV 1 look
PC rosette	Rosette – square	PC	B-72730-10-0-8	B-72730-10-0-1
	Rosette – oval		B-72730-00-0-8	B-72730-00-0-1



Please specify when ordering:

Description			
Quantity [piece]	_____ pc		
Active leaf			
Installation dimension X [in mm] (min. 355 mm, max. 1458 mm)	_____ mm		
DIN direction	<input type="checkbox"/> Left-hand	<input type="checkbox"/> Right-hand	
Material	<input type="checkbox"/> Aluminium F1	<input type="checkbox"/> Aluminium F1 [3]	<input type="checkbox"/> Stainless steel
Passive leaf			
Installation dimension X [in mm] (min. 355 mm, max. 1458 mm)	_____ mm		
DIN direction	<input type="checkbox"/> Left-hand	<input type="checkbox"/> Right-hand	
Material	<input type="checkbox"/> Aluminium F1	<input type="checkbox"/> Aluminium F1 [3]	<input type="checkbox"/> Stainless steel

[3] with plastic end caps

B-7443 touch bar with short backplate

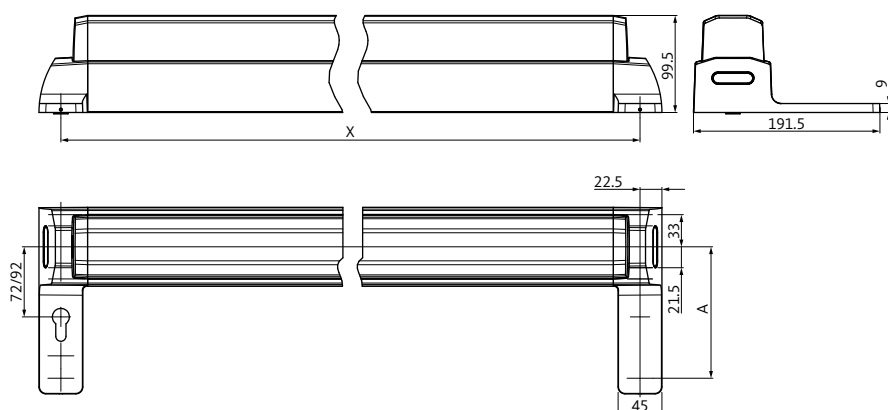


Product information

- BKS touch bar for use on smoke and fire protection doors and escape doors to DIN 18273, DIN 4102 and EN 1634
- With integral gear, 9 mm square size, and hold-up spring
- Approval to EN 1125 only in combination with approved BKS locks
- For use on active and passive door leaves
- Non-handed
- Material/Finish:
 - Satin stainless steel
 - Aluminium, F1
- Including fixing accessories

Note:

Dimension X must be specified when ordering the touch bar.



Dimension A:
 for PC hole-type, distance 72 mm = 112 mm
 for PC hole-type, distance 92 mm = 135 mm



Some products in this series are suitable for



B-7443 touch bar according to EN 1125

Type of set	Cylinder hole-type	Dim. X	Satin stainless steel	Aluminium F1
Passive leaf DIN LH/DIN RH	Without PC hole	660 [1]	B-74430-00-0-8	B-74430-00-0-1
		808 mm [2]	B-74430-01-0-8	B-74430-01-0-1
		1158 mm [2]	B-74430-02-0-8	B-74430-02-0-1
		1458 mm [2]	B-74430-03-0-8	B-74430-03-0-1

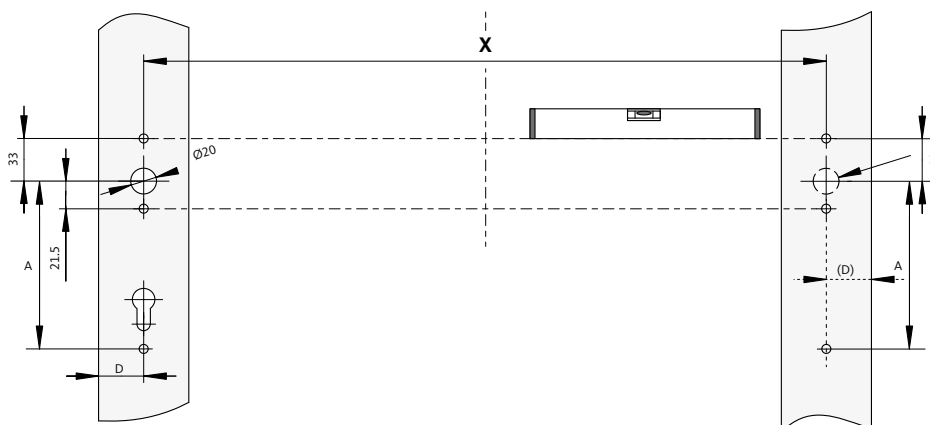
[1] Can be cropped to dimension x = 355 mm | [2] Can be cropped to dimension x = 660 mm

B-7443 touch bar according to EN 1125

Type of set	Cylinder hole-type	Dim. X	Satin stainless steel		Aluminium F1	
			DIN LH	DIN RH	DIN LH	DIN RH
Active leaf DIN left or DIN right	PC 72 mm	808 mm	B-74430-11-L-8	B-74430-11-R-8	B-74430-11-L-1	B-74430-11-R-1
		1158 mm	B-74430-12-L-8	B-74430-12-R-8	B-74430-12-L-1	B-74430-12-R-1
		1458 mm	B-74430-13-L-8	B-74430-13-R-8	B-74430-13-L-1	B-74430-13-R-1

B-7443 touch bar according to EN 1125

Type of set	Cylinder hole-type	Dim. X	Satin stainless steel		Aluminium F1	
			DIN LH	DIN RH	DIN LH	DIN RH
Active leaf DIN left or DIN right	PC 92 mm	808 mm	B-74430-21-L-8	B-74430-21-R-8	B-74430-21-L-1	B-74430-21-R-1
		1158 mm	B-74430-22-L-8	B-74430-22-R-8	B-74430-22-L-1	B-74430-22-R-1
		1458 mm	B-74430-23-L-8	B-74430-23-R-8	B-74430-23-L-1	B-74430-23-R-1



Please specify when ordering:

Description	Order number
Quantity [piece]	_____ pc
Active leaf	
Installation dimension X [in mm] (min. 355 mm, max. 1458 mm)	_____ mm
DIN direction	<input type="checkbox"/> Left-hand <input type="checkbox"/> Right-hand
Material	<input type="checkbox"/> Aluminium F1 <input type="checkbox"/> Stainless steel
Cylinder hole-type	<input type="checkbox"/> PC 72 mm <input type="checkbox"/> PC 92 mm <input type="checkbox"/> CH-RC 74 mm <input type="checkbox"/> CH-RC 94 mm <input type="checkbox"/> B-7443
Passive leaf	
Installation dimension X [in mm] (min. 355 mm, max. 1458 mm)	_____ mm
DIN direction	<input type="checkbox"/> Left-hand <input type="checkbox"/> Right-hand
Material	<input type="checkbox"/> Aluminium F1 <input type="checkbox"/> Stainless steel

B-7400 push bar with backplate

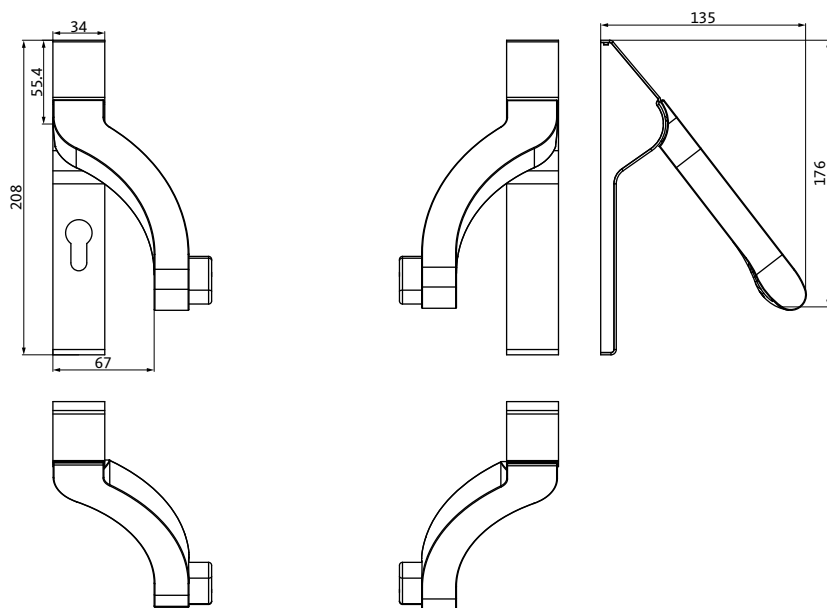


Product information

- BKS push bar for use on smoke and fire protection doors and escape doors to DIN 18273, DIN 4102 and EN 1634
- With integral gear made of stainless steel, 9 mm square size and hold-up spring
- Approval to EN 1125 only in combination with approved BKS locks
- For use on active and passive door leaves
- Suitable for heavy doors up to 300 kg
- Non-handed
- Material/Finish:
 - Satin stainless steel
 - Aluminium, F1
 - V2A satin stainless steel
 - Black RAL 9005
- Including fixing accessories
- For installation with BKS short backplates (PC 72 mm) or BKS narrow stile long backplates (PC 92 mm)

Note:

The crossbar must be ordered separately.



Some products in this series are suitable for



B-7400 push bar according to EN 1125

Type of set	Cylinder hole-type	Satin stainless steel	Aluminium F1		Black RAL 9005
Active leaf without crossbar	PC 72 mm	B-74000-10-0-8	B-74000-10-0-1N		B-74000-10-0-6V
	PZ 92	B-74000-30-0-8	B-74000-30-0-1N		B-74000-30-0-6V
	CH-RC hole-type 74 mm	B-74000-20-0-8	B-74000-20-0-1N		-
	CH-RC 94 mm	B-74000-40-0-8	B-74000-40-0-1N		-
Passive leaf without crossbar	Without PC hole	B-74000-00-0-8	B-74000-00-0-1N		B-74000-00-0-6V

B-7400 push bar according to EN 1125 | for security hardware

Type of set	Cylinder hole-type	Satin stainless steel	Aluminium F1	
Active leaf without crossbar	PC 72 mm	B-74000-11-0-8	B-74000-11-0-1N	
	PC 92 mm	B-74000-31-0-8	B-74000-31-0-1N	

B-7400 push bar according to EN 1125 | with increased corrosion protection

Type of set	Cylinder hole-type			V4A satin stainless steel	
Active leaf without crossbar	PC 72			B-74000-10-0-8G	
	PZ 92			B-74000-30-0-8G	
Passive leaf without crossbar	Without PC hole			B-74000-00-0-8G	

Crossbar

Type of set	Crossbar length [mm]	Satin stainless steel	Aluminium F1	V4A satin stainless steel	Black RAL 9005
Crossbar	710	B 7100 4210	B 7100 4270	-	-
	785	B 7100 4211	B 7100 4271	-	-
	835	B 7100 4212	B 7100 4272	-	-
	960	B 7100 4213	B 7100 4273	-	-
	1150	B 7100 4204	B 7100 4274	B 7100 4218	B 7100 4290
	1500	B 7100 4205	B 7100 4275	B 7100 4219	B 7100 4291

B-7401 push bar

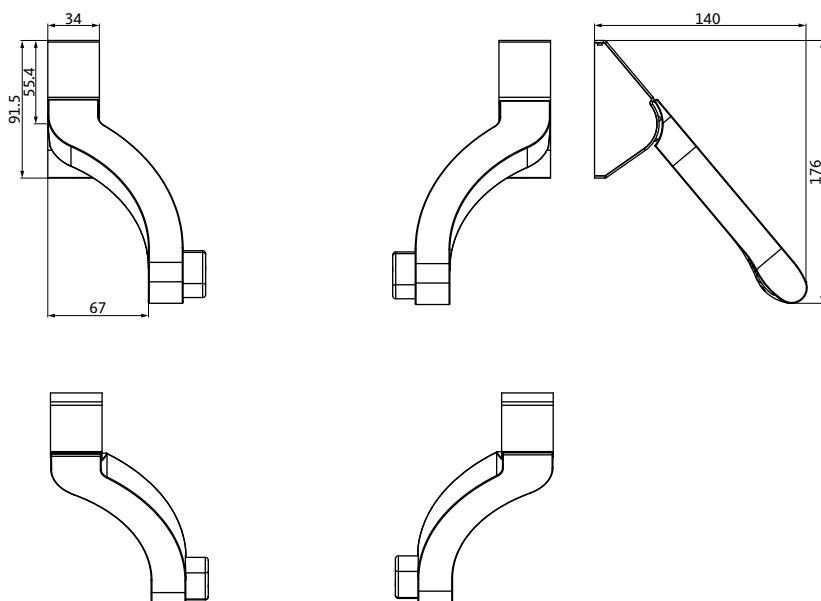


Product information

- BKS push bar for use on smoke and fire protection doors and escape doors to DIN 18273, DIN 4102 and EN 1634
- With integral gear made of stainless steel, 9 mm square size and hold-up spring
- Approval to EN 1125 only in combination with approved BKS locks
- For use on active and passive door leaves
- Suitable for heavy doors up to 300 kg
- Non-handed
- **Material/Finish:**
 - Satin stainless steel
 - Aluminium, F1
- Including fixing accessories

Note:

The crossbar must be ordered separately.



Some products in this series are suitable for



B-7401 push bar according to EN 1125

Type of set	Cylinder hole-type	Satin stainless steel	Aluminium F1
Active leaf/passive leaf without crossbar	Without PC hole	B-74010-00-0-8	B-74010-00-0-1N

PC rosette

Type of set	Backplate design	Cylinder hole-type	Satin stainless steel	Silver/EV 1 look
PC rosette	Rosette – square	PC	B-72730-10-0-8	B-72730-10-0-1
	Rosette – oval		B-72730-00-0-8	B-72730-00-0-1

Crossbar

Type of set	Crossbar length	Satin stainless steel	Aluminium F1
Crossbar	710 mm	B 7100 4210	B 7100 4270
	785 mm	B 7100 4211	B 7100 4271
	835 mm	B 7100 4212	B 7100 4272
	960 mm	B 7100 4213	B 7100 4273
	1150 mm	B 7100 4204	B 7100 4274
	1500 mm	B 7100 4205	B 7100 4275

B-7402 cranked push bar

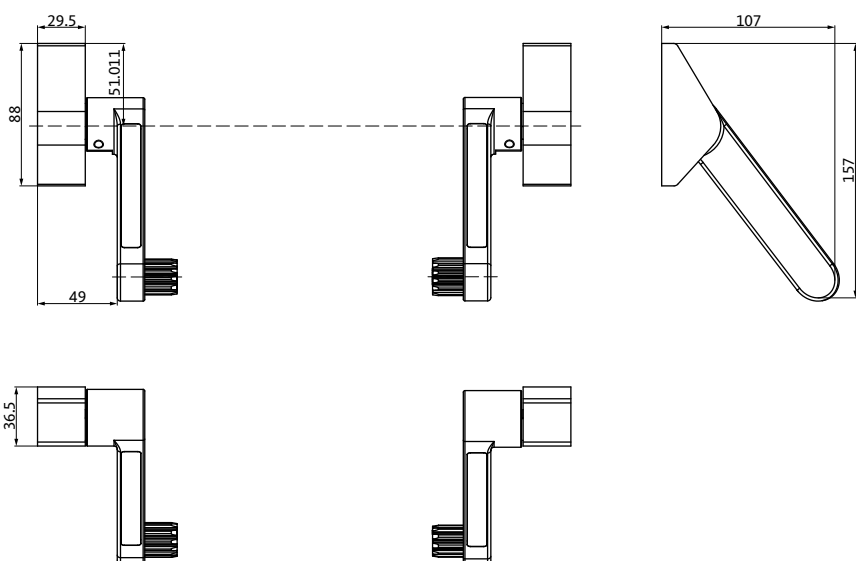


Product information

- BKS push bar for use on smoke and fire protection doors and escape doors to DIN 18273, DIN 4102 and EN 1634
- With integral gear made of stainless steel, 9 mm square size and hold-up spring
- Approval to EN 1125 only in combination with approved BKS locks
- For use on active and passive door leaves
- Suitable for heavy doors up to 300 kg
- Non-handed
- **Material/Finish:**
 - Satin stainless steel
- Including fixing accessories

Note:

The crossbar must be ordered separately.



Some products in this series are suitable for



B-7402 push bar according to EN 1125

Type of set	Cylinder hole-type	Satin stainless steel
Active leaf/passive leaf without crossbar	Without PC hole	B-74020-00-0-8

PC rosette

Type of set	Backplate design	Cylinder hole-type	Satin stainless steel
PC rosette	Rosette – square	PC	B-72730-10-0-8
	Rosette – oval		B-72730-00-0-8

Crossbar

Type of set	Crossbar length	Satin stainless steel
Crossbar	650 mm	B-74090-00-0-8
	1090 mm	B-74090-04-0-8
	1440 mm	B-74090-05-0-8

B-7403 cranked push bar with backplate

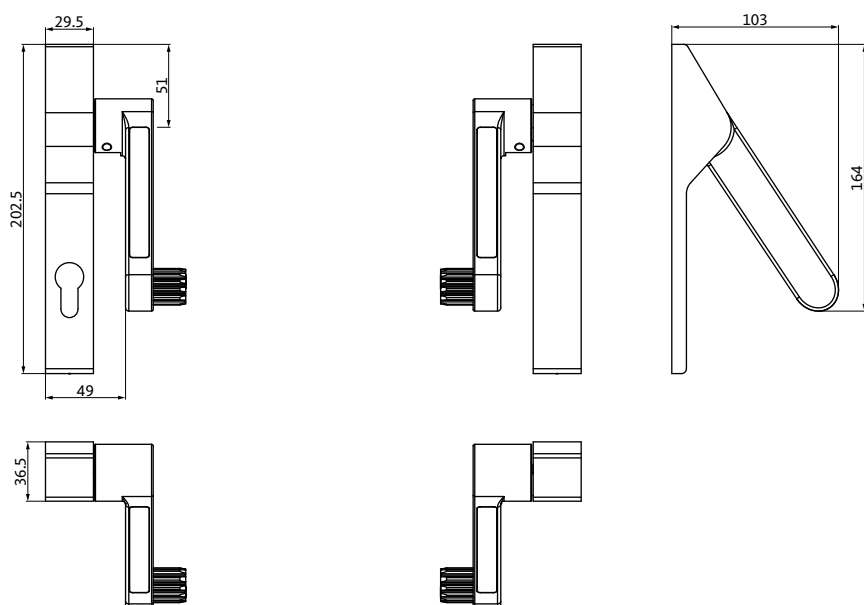


Product information

- BKS push bar for use on smoke and fire protection doors and escape doors to DIN 18273, DIN 4102 and EN 1634
- With integral gear made of stainless steel, 9 mm square size and hold-up spring
- Approval to EN 1125 only in combination with approved BKS locks
- For use on active and passive door leaves
- Suitable for heavy doors up to 300 kg
- Material/Finish:
 - Satin stainless steel
- Including fixing accessories
- For installation with BKS short backplates (PC 72 mm) or BKS narrow stile long backplates (PC 92 mm)

Note:

The crossbar must be ordered separately.



Some products in this series are suitable for



B-7403 push bar according to EN 1125

Type of set	Hole-type	Satin stainless steel	
		DIN LH	DIN right
Active leaf without crossbar	PC 72 mm	B-74030-10-L-8	B-74030-10-R-8
	PC 92 mm	B-74030-20-L-8	B-74030-20-R-8

B-7403 push bar according to EN 1125

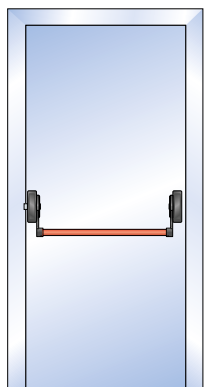
Type of set	Cylinder hole-type	Satin stainless steel
Passive leaf without crossbar	Without PC hole	B-74030-00-0-8

Crossbar

Type of set	Crossbar length	Satin stainless steel
Crossbar	650 mm	B-74090-00-0-8
	1090 mm	B-74090-04-0-8
	1440 mm	B-74090-05-0-8

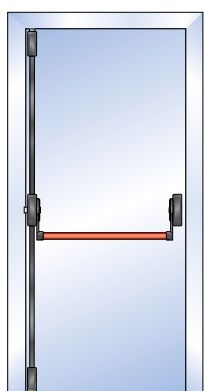
B 7130 push bar sets

Face-fixed panic exit devices according to EN 1125



Push bar with 1-point locking – without additional locking

Push bar			
For active leaf			
Cover and lever arm	Crossbar	Length	Order number
Black	Red	1150 mm	B 7130 8002
	Green		B 7130 8004
	Silver colour		B 7130 8000
Including striker			

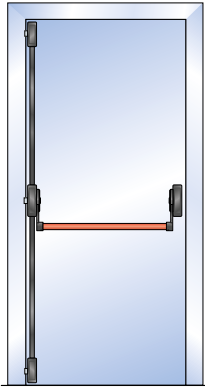


Push bar with 3-point locking – vertical locking to top and bottom

Push bar			
For active leaf			
Cover and lever arm	Crossbar	Length	Order number
Black	Red	1150 mm	B 7130 8202
	Green		B 7130 8204
	Silver colour		B 7130 8200
Including strikers and floor striker			

B 7130 push bar sets

Face-fixed panic exit devices according to EN 1125

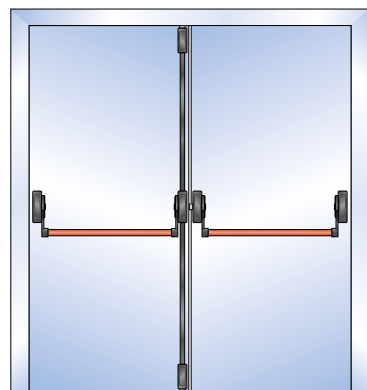


Push bar with 3-point locking – lateral locking

Push bar			
For active leaf			
Cover and lever arm	Crossbar	Length	Order number
Black	Red	1150 mm	B 7130 8302
	Green		B 7130 8304
	Silver colour		B 7130 8300
Including strikers			

Push bar sets B 7130

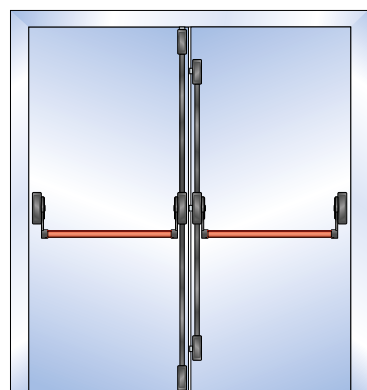
Face-fixed panic exit devices according to EN 1125



Push bar with 1-point locking on active leaf and 2-point locking on passive leaf

Push bar				
For active and passive leaves				
Cover and lever arm	Crossbar	Length	Type of set	Order number
Black	Red	1150 mm	Active leaf	B 7130 8002
			Passive leaf	B 7130 8102
	Green		Active leaf	B 7130 8004
			Passive leaf	B 7130 8104
	Silver colour		Active leaf	B 7130 8000
			Passive leaf	B 7130 8100

Including strikers and floor striker



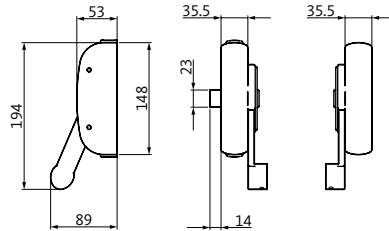
Push bar with 3-point locking on active leaf and 2-point locking on passive leaf

Push bar				
For active and passive leaves				
Cover and lever arm	Crossbar	Length	Type of set	Order number
Black	Red	1150 mm	Active leaf	B 7130 8302
			Passive leaf	B 7130 8102
	Green		Active leaf	B 7130 8304
			Passive leaf	B 7130 8104
	Silver colour		Active leaf	B 7130 8300
			Passive leaf	B 7130 8100

Including strikers and floor striker

B 7130 push bar

Face-fixed panic exit devices according to EN 1125

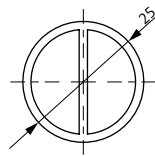


Push bar with 1-point locking – without additional locking

Push bar

For active leaf

Black	Grey	White
B 7130 1000	B 7130 1001	B 7130 1002
Including striker		



Crossbars

Crossbar

Crossbar 1150 mm

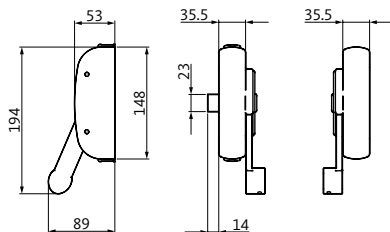
Red	Green	Silver colour
B 7130 7103	B 7130 7104	B 7130 7105

Crossbar 1450 mm

Red	Green	Silver colour
B 7130 7203	–	B 7130 7205

B 7130 push bar

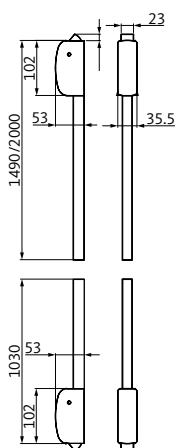
Face-fixed panic exit devices according to EN 1125



Push bar for vertical and lateral locking

Push bar		
For active leaf		
Black	Grey	White
B 7130 1200	B 7130 1201	B 7130 1202
Including striker		

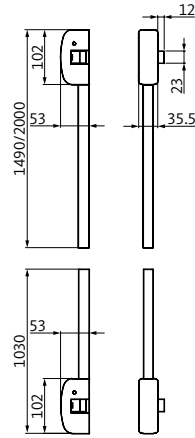
Vertical locking to top and bottom



Vertical locking to top and bottom		
Length: 1490 mm		
Black	Grey	White
B 7130 4100	B 7130 4101	B 7130 4102
Length: 2000 mm		
Black	Grey	White
B 7130 4110	B 7130 4111	-
Including striker and floor striker		

B 7130 push bar

Face-fixed panic exit devices according to EN 1125



Lateral locking

Lateral locking

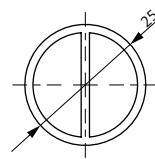
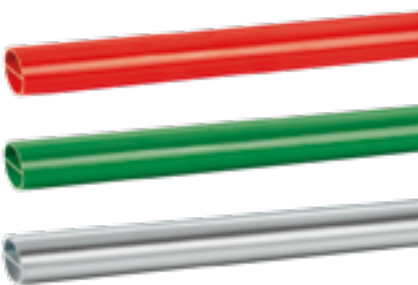
Length: 1490 mm

Black	Grey	White
B 7130 4200	B 7130 4201	B 7130 4202

Length: 2000 mm

Black	Grey	White
B 7130 4210	B 7130 4211	B 7130 4212

Including strikers



Crossbars

Crossbar

Crossbar 1150 mm

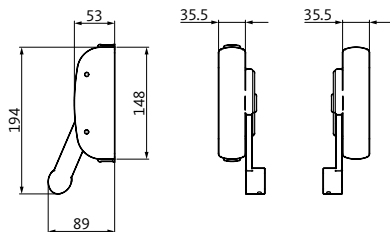
Red	Green	Silver colour
B 7130 7103	B 7130 7104	B 7130 7105

Crossbar 1450 mm

Red	Green	Silver colour
B 7130 7203	-	B 7130 7205

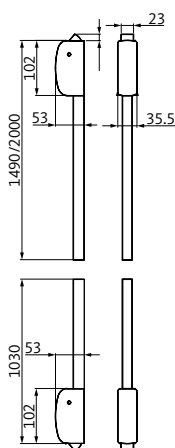
B 7130 push bar

Face-fixed panic exit devices according to EN 1125



Push bar for passive leaf

Push bar		
For passive leaf		
Black	Grey	White
B 7130 1100	B 7130 1101	B 7130 1102

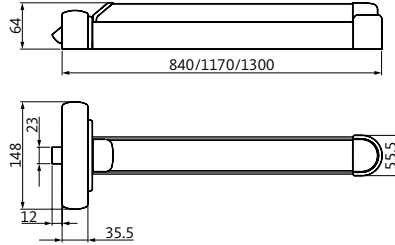


Vertical locking to top and bottom

Vertical locking to top and bottom		
Length: 1490 mm		
Black	Grey	White
B 7130 4100	B 7130 4101	B 7130 4102
Length: 2000 mm		
Black	Grey	White
B 7130 4110	B 7130 4111	-
Including striker and floor striker		

B 7131 touch bar

Face-fixed panic exit devices according to EN 1125



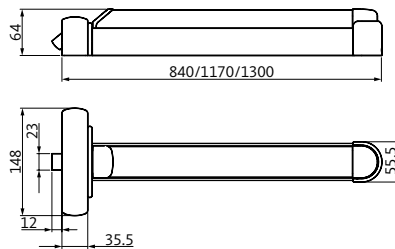
Touch bar with 1-point locking – without additional locking

Touch bar

For active leaf

Base profile	Cover profile	Length	Order number
Black	Red	840 mm	B 7131 1003
Black	Red	1170 mm	B 7131 1103
Black	Red	1300 mm	B 7131 1203
Black	Green	1170 mm	B 7131 1104
Black	Silver	840 mm	B 7131 1005
Black	Silver	1170 mm	B 7131 1105
Black	Silver	1300 mm	B 7131 1205

Including striker



Touch bar

Touch bar

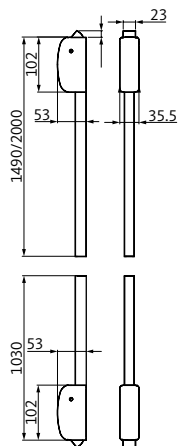
For active leaf

Base profile	Cover profile	Length	Order number
Black	Red	840 mm	B 7131 3003
Black	Red	1170 mm	B 7131 3103
Black	Red	1300 mm	B 7131 3203
Black	Green	1170 mm	B 7131 3104
Black	Silver	840 mm	B 7131 3005
Black	Silver	1170 mm	B 7131 3105
Black	Silver	1300 mm	B 7131 3205

Including striker

B 7131 touch bar

Face-fixed panic exit devices according to EN 1125



Vertical locking to top and bottom

Vertical locking to top and bottom

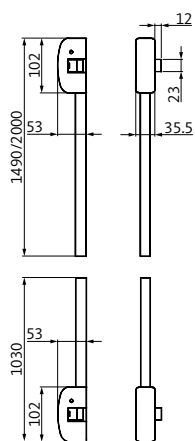
Length: 1490 mm

Black	Grey	White
B 7130 4100	B 7130 4101	B 7130 4102

Length: 2000 mm

Black	Grey	White
B 7130 4110	B 7130 4111	-

Including striker and floor striker



Lateral locking

Lateral locking

Length: 1490 mm

Black	Grey	White
B 7130 4200	B 7130 4201	B 7130 4202

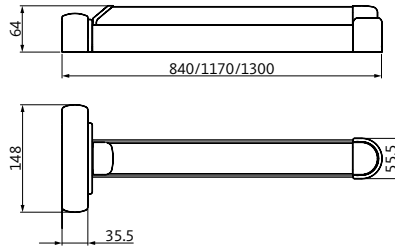
Length: 2000 mm

Black	Grey	White
B 7130 4210	B 7130 4211	B 7130 4212

Including strikers

B 7131 touch bar

Face-fixed panic exit devices according to EN 1125



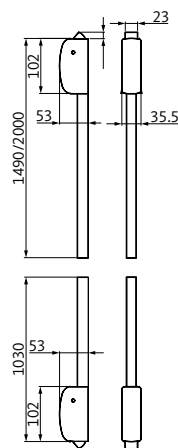
Touch bar for passive leaf

Touch bar

For passive leaf

Base profile	Cover profile	Length	Order number
Black	Red	840 mm	B 7131 2003
Black	Red	1170 mm	B 7131 2103
Black	Red	1300 mm	B 7131 2203
Black	Green	840 mm	B 7131 2004
Black	Silver	840 mm	B 7131 2005
Black	Silver	1170 mm	B 7131 2105
Black	Silver	1300 mm	B 7131 2205

Including striker



Vertical locking to top and bottom

Vertical locking to top and bottom

Length: 1490 mm

Black	Grey	White
B 7130 4100	B 7130 4101	B 7130 4102

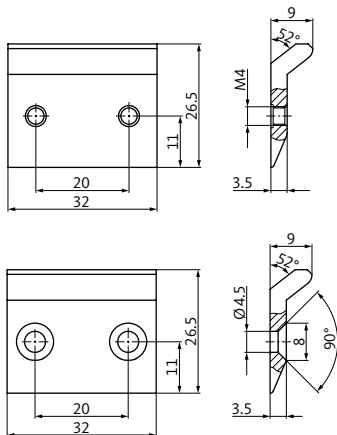
Length: 2000 mm

Black	Grey	White
B 7130 4110	B 7130 4111	-

Including striker and floor striker

Accessories for B 7130 push bar/B 7131 touch bar

Face-fixed panic exit devices according to EN 1125

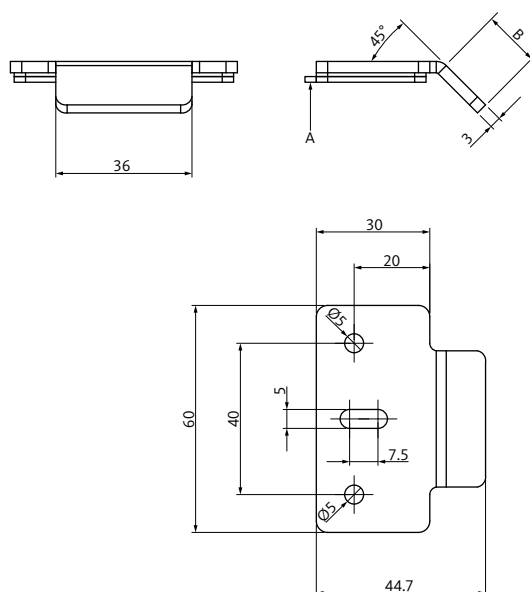


Striker for lateral and vertical locking

Striker

Order number

B 7130 6000



Striker for PVC

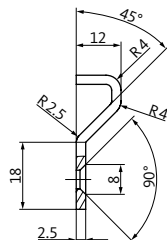
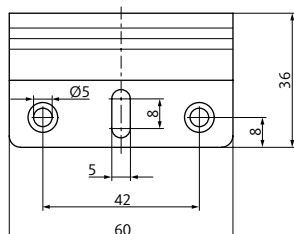
Striker

Size	A [mm]	B [mm]	Order number
1	14-17	16.9	B 7130 6010
2	17-20	21.2	B 7130 6011
3	20-23	25.4	B 7130 6012
4	23-25	29.6	B 7130 6013

Accessories for B 7130 push bar/B 7131 touch bar



Face-fixed panic exit devices according to EN 1125

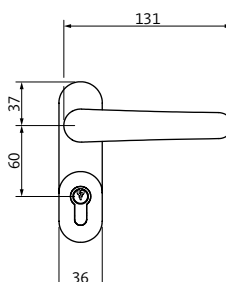
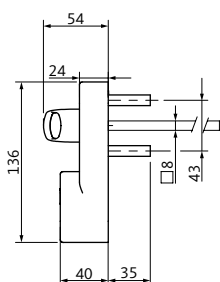


Floor striker

Floor striker

Order number

B 7130 5000



Exterior door hardware with lever handle

Exterior door hardware

Half set

Black	Grey	White
B 7130 3000	B 7130 3001	B 7130 3002

Exterior door hardware with knob

Exterior door hardware

Half set

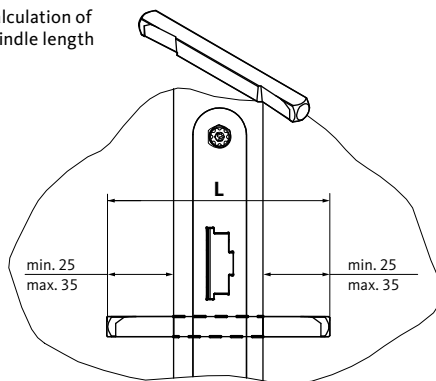
Black	Grey	White
B 7130 3010	B 7130 3011	B 7130 3012

Prepared for 31 mm cylinder length.

Square spindles



Calculation of spindle length



B-7840 spindle

Versions/order numbers

Square size	Order number*
8 mm	B-78400-0□-0-1
9 mm	B-78400-1□-0-1
□	Length in mm (L)
5	50 (only 9 mm square size)
8	65 (only 9 mm square size)
9	70 (only 9 mm square size)
B	80 (only 9 mm square size)
D	90 (only 9 mm square size)
F	100
I	115
L	130
O	145
R	160 (only 9 mm square size)
X	190 (only 9 mm square size)

***Ordering example**

B-7840 spindle

Square size 8 mm = B-78400-0□-0-1

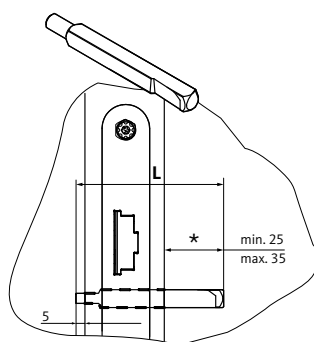
Length in mm (L) 100 mm = F [refer to table]

Length in mm (L)

B-78400-0□-0-1 = order number B-78400-0F-0-1



Calculation of spindle length



*Push bar: min. 7
max. 10

*Touch bar: min. 15
max. 20

B-7841 entrance set spindle

Versions/order numbers

Square size	Order number*
8 mm	B-78410-0□-0-1
9 mm	B-78410-1□-0-1
□	Length in mm (L)
5	50 (only 9 mm square size)
7	60 (only 9 mm square size)
9	70
A	75
C	85
E	95
G	105
I	115
M	135

***Ordering example**

B-7841 entrance set spindle

Square size 8 mm = B-78410-0□-0-1

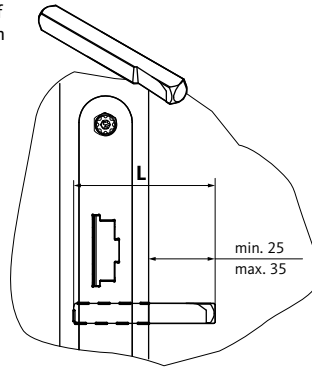
Length in mm (L) 105 mm = G [refer to table]

Length in mm (L)

B-78410-0□-0-1 = order number B-78410-0G-0-1



Calculation of spindle length



B-7842 half spindle

Versions/order numbers

Square size	Order number*
8 mm	B-78420-0□-0-1
9 mm	B-78420-1□-0-1
□	Length in mm (L)
5	50
6	55
7	60
8	65
9	70
B	80

*Ordering example

B-7842 half spindle

Square size 8 mm = B-78420-0□-0-1

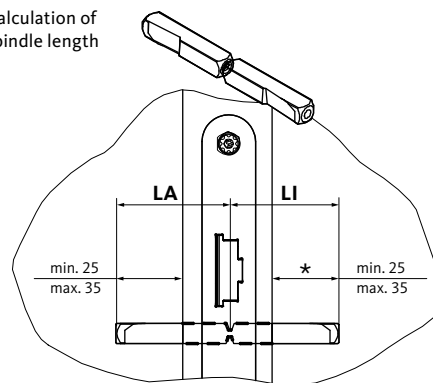
Length in mm (L) 50 mm = 5 [refer to table]

Length in mm (L)

B-78420-0□-0-1 = order number B-78420-05-0-1



Calculation of spindle length



* Push bar: min. 7
max. 10
* Touch bar: min. 15
max. 20

B-7843 split spindle

Versions/order numbers

Square size	Order number*	
9 mm	B-78430-□□-0-1	
□	Interior length (LI) [mm]	Exterior length (LA) [mm]
0	25	-
1	30	-
2	35	-
3	40	-
4	45	4 45
5	50	5 50
6	55	6 55
7	60	7 60
8	65	8 65
9	70	9 70
A	75	A 75
B	80	B 80
-	-	C 85
-	-	D 90
E	95	E 95
-	-	G 105
-	-	K 160

*Ordering example

B-7843 split spindle

Square size 9 mm = B-78430-□□-0-1

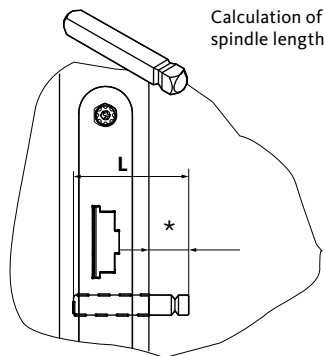
Interior length (LI) 95 mm = E [refer to table], Exterior length (LA) 95 mm = E [refer to table]

Inside length (LI)

Outside length (LA)

B-78430-□□-0-1 = order number B-78430-EE-0-1

Square spindles/Screws



*Push bar: min. 7
max. 10
*Touch bar: min. 15
max. 20

B-7844 special spindle for use with push bar or touch bar

Versions/order numbers

Square size	Order number*
9 mm	B-78440-1□-0-1
□	Length in mm (L)
1	30
2	35
3	40
4	45
5	48
6	55
8	65
9	70

*Ordering example

B-7844 special spindle

Square size 9 mm = B-78440-1□-0-1

Length in mm (L) 55 mm = 6 [refer to table]

Length in mm (L)

B-78440-1□-0-1 = **order number** B-78440-16-0-1

B-7850 fixing screw



Stainless steel countersunk screw M5 with Torx 25 drive and anti-twist protection

Versions/order numbers

Countersunk screw			
Dimensions [mm]	Door thickness [mm]	PU	Order number
M5 x 16	-	10	B-78500-01-0-8
M5 x 20	-	10	B-78500-02-0-8
M5 x 25	-	10	B-78500-03-0-8
M5 x 30	-	10	B-78500-04-0-8
M5 x 35	37-42	10	B-78500-05-0-8
M5 x 40	42-52	10	B-78500-06-0-8
M5 x 50	52-62	10	B-78500-08-0-8
M5 x 60	62-72	10	B-78500-09-0-8
M5 x 70	72-82	10	B-78500-0A-0-8
M5 x 80	82-92	10	B-78500-0B-0-8
M5 x 90	92-102	10	B-78500-0C-0-8
M5 x 100	102-117	10	B-78500-0D-0-8
Bush		PU	Order number
Dimensions [mm]			
M5 x 30		10	B-78510-00-0-1



Fixing accessories for security hardware – ES3

Versions/order numbers

Designation	Door thickness [mm]	Order number
Fixing accessories ES3 security hardware	39–54	B 7660 0070
	54–69	B 7660 0071
	69–84	B 7660 0072
	84–94	B 7660 0073
	94–114	B 7660 0078

Including: fixing screws and assembly tool
Square spindles are to be ordered separately.



B 9032 monitoring contact for push bar

Versions/order numbers

Designation	Order number	
	DIN left	DIN right
Monitoring contact for push bar	B 9032 0100	B 9032 0101

- 8 m connecting cable included
- Contact load: 30 V DC/100 mA

Escape door security



Escape door control units

Escape door control units FTNT10	462
On-wall escape door control units FTNTAP	464
I/O modules IO10 on-wall/IO5 in-wall	466
Escape door control units FTNT10/FTNT20	467
Spring-operated key switches ST10/ST20	467
B 5580 code keypad	468

Locking elements

Electric escape door strike470	
Magnetic locks	471

Accessories for escape door control units

On-wall housings/Frames/Covers	472
Power supply units/Accessories	473

Visualisation

BKS-NET system software	474
-------------------------	-----

System management

BKS-NET system management	476
Bus components	477

FTNT10 escape door control units



Fig. 2 section-set
(Jung AS500)



Fig. 3-section set
(Jung LS990)

FTNT10 terminal sets

Set consisting of:

- FTNT10 escape door control unit with integral emergency push-button
- ST10 spring-operated key switch
- 2-section set without power supply unit for external voltage supply (operating voltage: 24 V DC/100 mA)
- 3-section set with integrated, in-wall power supply unit 230 V AC/24 V DC, 0.5 A for connection of one EVP lock, one maglock or up to two electric escape door strikes
- For installation in standard flush boxes (depth 61 mm)



FTNT10 escape door control unit

Sets	2-section AS500	3-section AS500 Incl. in-wall power supply unit	2-section LS990	3-section LS990 Incl. in-wall power supply unit
Stainless steel look	–	–	B 5580 0981	B 5580 0982
Alpine white	B 5580 0973	B 5580 0974	B 5580 0971	B 5580 0972

Locking cylinders

Specification	Order number
Profile half cylinder PZ 88 (31 mm, including 3 keys)	B 8900 0101

FTNTAP on-wall escape door control units



FTNTAP10 on-wall escape door terminal

Consisting of:

- Escape door control unit with
 - integral emergency push-button
 - integral key switch
 - integral power supply unit
100–230 V AC/24 V DC, 0.5 A

for connection of one EVP lock,
one magnetic lock or up to
two electric escape door strikes

- Freely programmable inputs/outputs
 - Number of inputs and outputs can
be extended via IO10 and IO5 I/O
modules
- Networkable via BKS-NET door bus
- Protection code: IP20
- Dimensions: 210 x 75 x 60 mm
- On-wall mounting
- For profile half cylinder
(order length = 31 or 35 mm) or
Swiss round profile-cylinder Ø 22 mm,
37.5 mm (the cylinder and terminal
must be ordered separately)



FTNTAP10 on-wall escape door terminal

FTNTAP10 on-wall escape door terminal (for PC)	Finish	Order number
FTNTAP10 on-wall escape door terminal (for PC)	Plastic, green	B 5580 0122
FTNTAP10 on-wall escape door terminal (for PC)	Plastic, white	B 5580 0124
FTNTAP10 on-wall escape door terminal (for PC)	Stainless steel	B 5580 0120
FTNTAP10 on-wall escape door terminal (for CH-RC)	Finish	Order number
FTNTAP10 on-wall escape door terminal (for CH-RC)	Stainless steel, green	B 5580 0132
FTNTAP10 on-wall escape door terminal (for CH-RC)	Stainless steel	B 5580 0130

Escape door terminal, on-wall, IP54 (weatherproof)

Specification	Finish	Order number
Weatherproof escape door terminal, on-wall, IP54 (without power supply unit/control unit)	Stainless steel, green	B 5580 0350

(Note: other housing shown; also required: FTNT20 and I/O module IO5)

Locking cylinders

Specification	Order number
Profile half cylinder PZ 88 (31 mm, including 3 keys)	B 8900 0101

I/O module IO10 on-wall/IO5 in-wall



I/O module IO10 on-wall

- 4 freely-programmable inputs each with status LED
- 4 freely-programmable outputs each with status LED
- Up to two I/O modules per door (address setup via jumper)
- Connection to escape door control unit via 2-wire BKS-NET door bus
- Housing included
- Operating voltage 24 V, nominal current 100 mA
- Protection code: IP65

Each I/O module is connected to an escape door control unit via the 2-wire BKS-NET door bus. Thus, 4 additional, freely programmable inputs and outputs each are available to integrate various systems of technical building equipment (e.g. swing door drive, motor-driven lock, external signalling, video monitoring, access control, intercom).

I/O module	
Module	Order number
I/O module IO10 on-wall	B 5580 0321



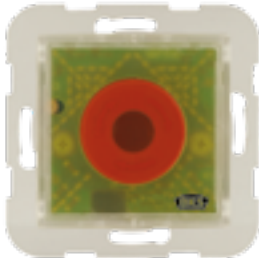
I/O module IO5 in-wall

- 1 freely-programmable input with status LED
- 2 freely-programmable outputs each with status LED
- Connection to escape door control unit via 2-wire BKS-NET door bus
- Operating voltage 24 V, nominal current 100 mA

Each I/O module is connected to an escape door control unit via the 2-wire BKS-NET door bus. Additional freely-programmable inputs and outputs are therefore available for integration of various systems of technical building equipment (e.g. swing door drive, motor-driven lock, external signalling, video monitoring, access control, intercom).

I/O module	
Module	Order number
I/O module IO5 in-wall	B 5580 0322





FTNT10/FTNT20 escape door control units

- Door release button next to the door (FTNT10)
- Second emergency push-button for opening both door leaves (FTNT20)
- Approved in accordance with the German EltVTR directive
- For installation in standard flush boxes (61 mm depth)
- Nominal voltage: 24 V DC (-15%/+10%)
- Nominal current consumption: 80 mA
- Protection code: IP20

Escape door control units

Specification	Order number
FTNT10 with integral emergency button	B 5580 0111
FTNT20 with integral emergency button	B 5580 0112
FT25 w/o emergency button for in-wall installation	B 5580 0115

Note: compatible with various wall switch ranges

Mounting adaptors for FTNT10/20 from 55 to 70 (Jung LS990)

Specification	Order number
Stainless steel look	B 5858 0083
Alpine white	B 5858 0073

Accessories for FTNT10/20

Specification	Order number
Replacement cover for emergency button, plastic	B 5580 0802



ST10 (without LEDs)



ST20 (with LEDs)

ST10/ST20 spring-operated key switch

- Without LEDs (ST10 spring-operated key switch)
- With LEDs (ST20 spring-operated key switch)
- For half cylinders, length 27 or 31 mm
- Nominal voltage: 12–24 V DC (-15%/+10%)
- Nominal current consumption: 25 mA
- Protection code: IP20
- Without locking cylinder, frame and cover

Spring-operated key switch

Specification	Order number
ST10 spring-operated key switch	B 5580 0311
ST20 spring-operated key switch	B 5580 0312

Note: Locking cylinders, frames and covers must be ordered separately.

Matching covers for spring-operated key switch

Jung LS990	ST10	ST20
70 mm cover, alpine white	B 5858 0971	B 5858 0972
70 mm cover, stainless steel look	B 5858 0981	B 5858 0982
Jung AS500	ST10	ST20
55 mm cover, alpine white	B 5858 0873	B 5858 0874

Suitable locking cylinder

Specification	Order number
Half cylinder, series 88 (31 mm, including 3 keys)	B 8900 0101



B 5580 code keypad



B 5580 code keypad

- Code keypad as an alternative to a spring-operated key switch
- Convenient operation of the escape door control units using individual codes
- 2 relays/2 codes – one each for releasing and locking
- Voltage supply: 24 V DC \pm 10%
- Protection code: IP20
- Flush mounting; delivery for 55 mm range of switches
- Intermediate frames from 55 to 70 are required for the 70 mm range of switches (not included in delivery)

The code keypad can be connected instead of or parallel to the spring-operated key switch (ST10) to the in-wall escape door control units (FTNT10/FTNT20). The escape door is unlocked or locked using codes that are freely definable.

Code keypad

Specification	Order number
Stainless steel look	B 5580 0331
Alpine white	B 5580 0332



Electric escape door strike



B 5465 electric escape door strike (type 331) – fail-safe with integral monitoring and armature contact

The electric escape door strike is used for the electric locking of escape doors. It is used together with the FTNT10/20 escape door control unit on 2-leaf doors. In conjunction with the B 5495 0010 latch lock, the electric strike locks the door additionally to the panic lock. Opening the door in the event of an emergency is always possible by pressing the emergency button installed next to the door. This is always possible – even if the door leaf is loaded with a force of 5000 N. The locked status of the door is monitored by a built-in monitoring contact. The electric escape door strikes listed are approved locking elements in accordance with EltVTR.

Electric escape door strike		
Specification		Order number
FaFix electric escape door strike Flat striker (24 V, 160 mA)	DIN LH	B 5465 0020
	DIN RH	B 5465 0030
FaFix electric escape door strike Angled striker (24 V, 160 mA)	DIN LH	B 5465 0120
	DIN RH	B 5465 0130
Latch lock for electric escape door strikes	Square	B 5495 0010
	Round	B 5495 0011



B 5465 electric escape door strike (type 332) – fail-safe

The electric escape door strike is used for the electric locking of escape doors. It is used, for example, together with an EVP electrically-locking panic lock and the FTNT10 or FTNT20 escape door control unit.

Electric escape door strike	
Specification	Order number
FaFix electric escape door strike	B 5465 0400
ProFix 2 electric escape door strike	B 5465 0402
Latch lock for electric escape door strikes (square)	B 5495 0010
Latch lock for electric escape door strikes (round)	B 5495 0011

Operating voltage: 24 V DC
Current consumption: 95 mA



Magnetic lock 5 kN

The magnetic lock is used for the electric locking of escape doors. It is used together with the FTNT10/20 escape door control unit. The magnetic lock locks the door in addition to the panic lock with a holding force of 5000 N. Emergency opening is always possible by pressing the emergency push-button installed next to the door. A built-in sensor measures the effective holding force, thus monitoring the locked status of the door. The magnetic locks listed are approved locking elements in accordance with EltVTR. When using a magnetic lock, we recommend using an additional door contact set (see accessories page 473).

Magnetic locks	
Magnetic lock 5 kN	Order number
5 kN magnetic lock set for escape doors including armature plate, L-bracket with aluminium cover, for flush doors (24 V, 250 mA)	B 5464 0000
5 kN magnetic lock set for escape doors including armature plate, Z-bracket with aluminium cover, for flush doors (24 V, 250 mA)	B 5464 0001



Magnetic lock 2 kN

The magnetic lock is used for the electric locking of escape doors. It is used together with the FTNT10/20 escape door control unit. The magnetic lock locks the door in addition to the panic lock with a holding force of 2000 N. The emergency opening is always possible by pressing the emergency push-button installed next to the door. A built-in sensor measures the effective holding force, thus monitoring the locked status of the door. The magnetic locks listed are approved locking elements in accordance with EltVTR. When using a magnetic lock, we recommend using an additional door contact set (see accessories page 473).

Magnetic locks	
Magnetic lock 2 kN	Order number
2 kN magnetic lock set for escape doors including armature plate, L-bracket with aluminium cover, for flush doors (24 V, 250 mA)	B 5464 0010
2 kN magnetic lock set for escape doors including armature plate, Z-bracket with aluminium cover, for flush doors (24 V, 250 mA)	B 5464 0011

Surface-mounted housings/frames/covers



Surface-mounted housing

On-wall housings

Specification	Order number
1-section on-wall housing, stainless steel	B 5858 0691
2-section on-wall housing, stainless steel	B 5858 0692
3-section on-wall housing, stainless steel	B 5858 0693
4-section on-wall housing, stainless steel	B 5858 0694



AS500



LS990

Frames/Covers

Frames and covers

Frame	AS500 (55 mm)	LS990 (70 mm)
1-section frame, stainless steel look	-	B 5858 0481
2-section frame, stainless steel look	-	B 5858 0482
3-section frame, stainless steel look	-	B 5858 0483
4-section frame, stainless steel look	-	B 5858 0484
1-section frame, alpine white	B 5858 1071	B 5858 0471
2-section frame, alpine white	B 5858 1072	B 5858 0472
3-section frame, alpine white	B 5858 1073	B 5858 0473
4-section frame, alpine white	B 5858 1074	B 5858 0474
Dummy covers (e.g. for in-wall PSU or in-wall bus coupler)	AS500 (55 mm)	LS990 (70 mm)
Dummy cover, stainless steel look	-	B 5858 0080
Dummy cover, alpine white	B 5858 0074	B 5858 0070



Power supply units

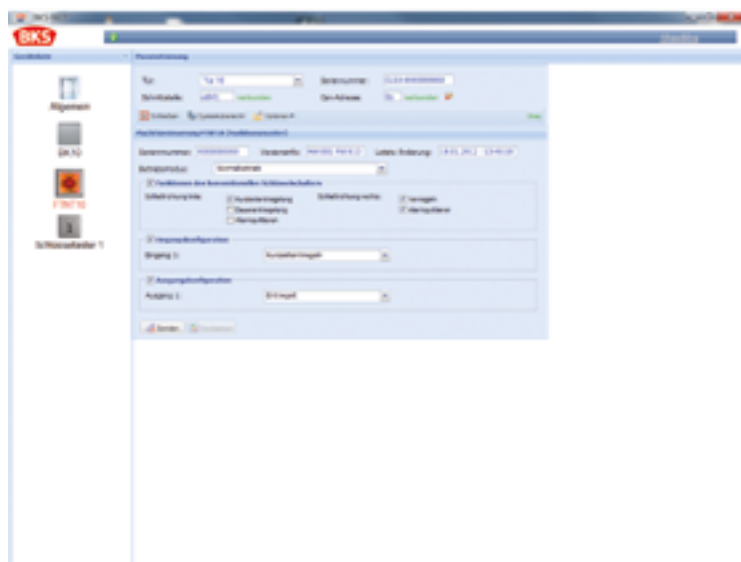
Power supply units	
Specification	Order number
Switching power supply with mains cable 24 V DC/1 A	B 5494 0004
Switching power supply for in-wall installation 24 V DC/0.75 A	B 5494 0006
Switching power supply for mounting on DIN rail 24 V DC/4.2 A	B 5570 0401
Switching power supply for mounting on DIN rail 24 V DC/1.3 A	B 5570 0402
Housing for DIN rail power supply units	B 5570 0411



Accessories

Accessories	
System cable	Order number
BKS-NET system cable with 2 plugs	B 5580 0812
BKS-NET system cable with 3 plugs	B 5580 0810
BKS-NET system cable with 4 plugs	B 5580 0811
Stickers for emergency push-button	Order number
Set of replacement stickers for emergency push-button (10 pieces)	B 5491 0000
Programming cable	Order number
USB programming cable (for optional programming of FTNT10/20 and BK10 via the PC)	B 5580 0813
Door contact	Order number
Door contact set, white (VdS B, 6 m cable)	B 5469 0010
Installation channel set (for B 5469 0010 door contact)	B 5469 0051
Spacer set (for B 5469 0010 door contact)	B 5469 0052

BKS-NET system software



CF10 configuration software

BKS-NET system software CF10 configuration software

All BKS-NET-capable products can be programmed and visualised via the same user interface using the BKS-NET system software. Programming and visualisation of both individual doors and complex bus systems is therefore possible via the user interface.

Advantages:

- Fully automatic detection of all products connected
 - to a door
 - in an entire system
- Intuitive user interface
- Self-learning user interface
- Compatible with all BKS-NET-capable products
- Local parameter setting via USB
- Decentralised parameter setting via network (TCP/IP) or building bus

BKS-NET system software

Software products	Order number
BKS-NET system software including CF10 configuration software (CD) and USB cable	B 5580 0511





OV10 online visualisation module

BKS-NET system software OV10 online visualisation module

Advantages:

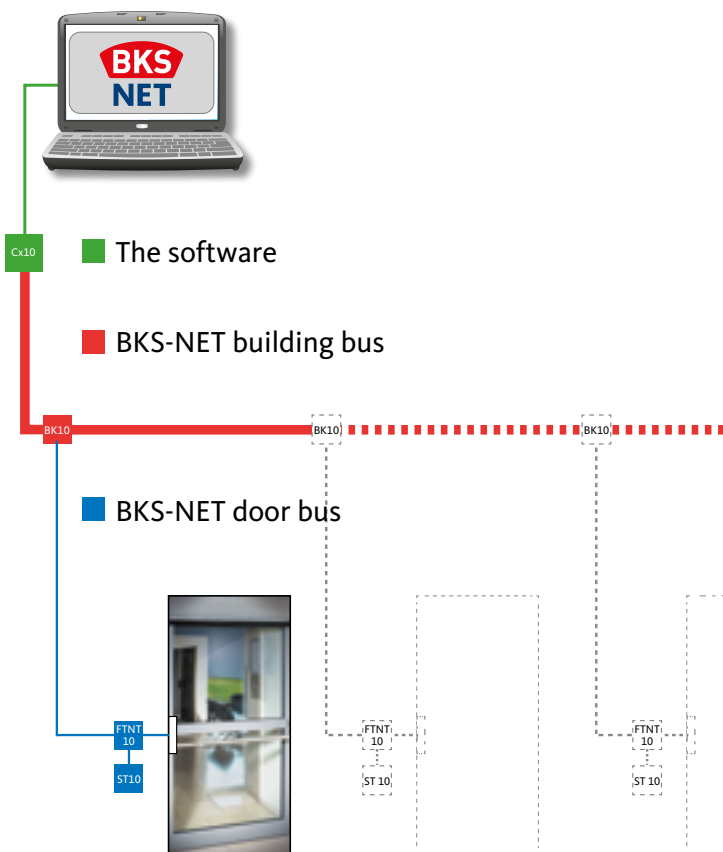
- Intuitive user interface
- Individual allocation of authorisations
- Control of all connected BKS-NET capable products
- Real-time visualisation of door statuses
- Integration of any floor plans or graphics
- Networkable
- Definition of higher-level switching groups
- Modern browser interface

BKS-NET system software

Software products	Order number
OV10 online visualisation module (licence)	B 5580 0521



BKS-NET system management



The system

BKS-NET networks the electromechanical systems of GU group using modern bus communication, thus ensuring an automatic interplay of functions. Its modern system structure comprises centralised system configuration as well as centralised system monitoring. The main focus is always put on the door as a functional entity. All compatible products are marked with the BKS-NET logo label.

Advantages:

- Easy planning
- Little wiring effort
- Fast commissioning
- Automatic configuration
- Centralised control and visualisation
- Local and central configuration of system components

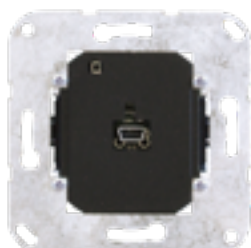
FTNT10: escape door control unit with integral emergency push-button

ST10: spring-operated key switch

BK10: bus coupler

Cx10: building bus coupler





BK10 bus coupler

The BK10 bus coupler connects the components of a door with the building bus thus enabling the creation of a networked system. It is available as in-wall and on-wall version. Various dummy covers and frames are available for the in-wall version.

BK10 bus coupler

Specification	Order number
BK10 in-wall bus coupler (without frame/cover)	B 5580 0411
BK10 on-wall bus coupler (including housing)	B 5580 0412

Technical data:

- Nominal voltage: 12–24 V DC (–15%/+10%)
- Nominal current consumption: 80 mA
- Protection code: IP20 (in-wall)/IP65 (on-wall)
- Max. length of door bus: 20 m



CU10/CE10 building bus coupler

The building bus is connected to a PC via the building bus coupler. The connection between the building bus and PC is established either locally via USB interface with the CU10 coupler, or remotely via Ethernet interface (TCP/IP) using the CE10 bus coupler.

CU10/CE10 building bus coupler

Specification	Order number
CU10 building bus coupler (USB interface)	B 5580 0421
CE10 building bus coupler (Ethernet interface) without power supply unit – to be ordered separately	B 5580 0431
Accessories	Order number
In-wall junction box for connecting the BKS-NET building bus to CU10 or CE10 (incl. cover, 1-section frame), alpine white (Jung LS990)	B 5580 0801
Repeater for BKS-NET building bus (9–36 V, 1.5 W, mounting on DIN rail)	B 5580 0441

Technical data:

- Nominal voltage (CE10): 12–24 V DC (–15%/+10%)
- Nominal current consumption: 75 mA (CU10)/150 mA (CE10)
- Protection code: IP30
- Max. length of building bus: 800 m
- Max. number of bus couplers per building bus: 60







Standards at a glance

Classification code EN 179	480
Classification code EN 1125	481
Classification code EN 12209	482
Classification code EN 14846	484
Doors in escape and rescue routes in accordance with EN 179 and EN 1125	486
On the safe side with GU group products	488
Marking in accordance with the CPR	489

Functional descriptions

Double-acting panic function	490
Single-acting panic function	491
Panic function – for outward-opening doors	492
Panic function – for inward-opening doors	493
Panic function B	494
Panic function C	495
Panic function D	496
Panic function E	497
Panic function P	498
Top-locking on active and passive leaf	499
Adjustable roller latch/End caps for U-faceplates	500
Jamming of 2-leaf doors/Swiss round profile-cylinder	501
Reversible latch series 18/reversible latchbolt series 19	502
Switchable panic function series 18/series 19	503
Latch holdback series 18/series 19	503

Wiring diagrams

Lock monitoring – series 18	504
Locking monitoring – series 19/SECURY series 19	505
Lock monitoring – B 1956/B 1959 motor-driven locks	506
Lock monitoring – electrically coupled panic locks series 19/SECURY series 19	507
A-opener set for SECURY multi-point locks	508

Standards at a glance

Classification code EN 179



EN 179

Classification code

EN 179

		1	2	3	4	5	6	7	8	9	10
1	Category of use										
2	Durability										
3	Door mass										
4	Suitability for use on fire/smoke protection doors										
5	Safety										
6	Corrosion resistance										
7	Security										
8	Projection of operating element										
9	Type of operation										
10	Field of door application										

Category of use		
1	Grade 3	High frequency of use
Durability		
2	Grade 6	100,000 test cycles
	Grade 7	200,000 test cycles
Door mass		
3	Grade 5	Up to 100 kg
	Grade 6	Up to 200 kg
	Grade 7	Over 200 kg
Suitability for use on fire/smoke protection doors		
4	Grade 0	Not approved for use on fire/smoke protection doors
	Grade A	Suitable for use on smoke protection doors
	Grade B	Suitable for use on fire and smoke protection doors
Safety		
5	Grade 1	Only the top grade is identified
Corrosion resistance		
6	Grade 3	96 h (high resistance)
	Grade 4	240 h (very high resistance)
Security		
7	Grade 2	1,000 N
	Grade 3	2,000 N
	Grade 4	3,000 N
	Grade 5	5,000 N

Projection of operating element		
8	Grade 1	Projection up to 150 mm (large projection)
	Grade 2	Projection up to 100 mm (standard projection)
Type of operation		
9	Type A	Emergency exit device with "lever handle" operation
	Type B	Emergency exit device with "push pad" operation
Field of door application		
10	Grade A	Outward opening single-leaf exit door, double-leaf exit door: active or inactive leaf
	Grade B	Outward opening single-leaf exit door only
	Grade C	Outward opening double-leaf exit door: inactive leaf only
	Grade D	Inward opening single-leaf exit door only



EN 1125

Classification code									
EN 1125									
1	2	3	4	5	6	7	8	9	10

1	Category of use									
2	Durability									
3	Door mass									
4	Suitability for use on fire/smoke protection doors									
5	Safety									
6	Corrosion resistance									
7	Security									
8	Projection of horizontal operating element									
9	Operation type of operating element									
10	Field of door application									

Category of use		
1	Grade 3	High frequency of use
Durability		
2	Grade 6	100,000 test cycles
	Grade 7	200,000 test cycles
Door mass		
3	Grade 5	Up to 100 kg
	Grade 6	Up to 200 kg
	Grade 7	Over 200 kg
Suitability for use on fire/smoke protection doors		
4	Grade 0	Not approved for use on fire/smoke protection doors
	Grade A	Suitable for use on smoke protection doors on the basis of requirements B.1
	Grade B	Suitable for use on fire and smoke protection doors
Safety		
5	Grade 1	Only the top grade is identified
Corrosion resistance		
6	Grade 3	96 h (high resistance)
	Grade 4	240 h (very high resistance)
Security		
7	Grade 2	Only one category of security is identified – safety consideration will always be given priority over security

Projection of horizontal operating element		
8	Grade 1	Projection up to 150 mm (large projection)
	Grade 2	Projection up to 100 mm (standard projection)
Operation type of operating element		
9	Type A	Panic device with push bar operation
	Type B	Panic device with touch bar operation
Field of door application		
10	Grade A	Single-leaf doors, double-leaf doors: active and inactive leaf
	Grade B	Only single-leaf doors
	Grade C	Double-leaf doors: only inactive leaf

Standards at a glance

Classification code EN 12209



EN 12209

Classification code

EN 12209

	1	2	3	4	5	6	7	8	9	10	11
1	Category of use										
2	Durability										
3	Door mass and closing force										
4	Suitability for use on fire/smoke protection doors										
5	Security										
6	Corrosion resistance										
7	Security and drill resistance										
8	Field of door application										
9	Type of key operation and locking										
10	Type of spindle operation										
11	Key identification										

Category of use		
1	Grade 1	Use by people with a high incentive to exercise care (e.g. internal residential doors)
	Grade 2	Use by people with some incentive to exercise care (e.g. public office doors)
	Grade 3	Use by public
Durability		
2	Grade A	50,000 test cycles; no load on latch
	Grade B	100,000 test cycles; no load on latch
	Grade C	200,000 test cycles; no load on latch
	Grade F	50,000 test cycles; latch load of 10 N
	Grade G	100,000 test cycles; latch load of 10 N
	Grade H	200,000 test cycles; latch load of 10 N
	Grade L	100,000 test cycles; latch load of 25 N
	Grade M	200,000 test cycles; latch load of 25 N
	Grade R	100,000 test cycles; latch load of 50 N
	Grade S	200,000 test cycles; latch load of 50 N
	Grade W	100,000 test cycles; latch load of 120 N
Grade X	200,000 test cycles; latch load of 120 N	

Door mass and closing force		
3	Grade 1	Up to 100 kg; max. 50 N closing force
	Grade 2	Up to 200 kg; max. 50 N closing force
	Grade 3	Above 200 kg or specified by the manufacturer; max. 50 N closing force
	Grade 4	Up to 100 kg; max. 25 N closing force
	Grade 5	Up to 200 kg; max. 25 N closing force
	Grade 6	Above 200 kg or specified by the manufacturer; max. 25 N closing force
	Grade 7	Up to 100 kg; max. 15 N closing force
	Grade 8	Up to 200 kg; max. 15 N closing force
	Grade 9	Above 200 kg or specified by the manufacturer; max. 15 N closing force
Suitability for use on fire/smoke protection doors		
4	Grade 0	Not approved for use on fire/smoke protection doors
	Grade 1	Suitable for use on fire and smoke protection doors
Security		
5	Grade 0	No safety requirements



Corrosion resistance					
6	Grade 0	No specified corrosion resistance, no temperature requirement			
	Grade A	Low corrosion resistance, no temperature requirement			
	Grade B	Medium corrosion resistance, no temperature requirement			
	Grade C	High corrosion resistance, no temperature requirement			
	Grade D	Very high corrosion resistance, no temperature requirement			
	Grade E	Medium corrosion resistance, temperature requirement -20 °C to +80 °C			
	Grade F	High corrosion resistance, temperature requirement -20 °C to +80 °C			
	Grade G	Very high corrosion resistance, temperature requirement -20 °C to +80 °C			
Security and drill resistance					
7	Grade 1	Minimum protective effect and no drilling requirement			
	Grade 2	Low protective effect and no drilling requirement			
	Grade 3	Medium protective effect and no drilling resistance			
	Grade 4	High protective effect and no drilling resistance			
	Grade 5	High protective effect with drilling resistance			
	Grade 6	Very high protective effect and no drilling resistance			
	Grade 7	Very high protective effect with drilling resistance			
Field of door application					
8	Grade	Product	Use		
			1	2	3
	Grade A	Mortise lock	Unrestricted use		
	Grade B	Mortise lock	Swing door		
	Grade C	Mortise lock	Sliding door		
	Grade D	Rim deadlock	Unrestricted use		
	Grade E	Rim deadlock	Swing door		
	Grade F	Rim deadlock	Sliding door		
	Grade G	Bored lock	Unrestricted use		
	Grade H	Mortise lock	Swing door	Supported	
	Grade J	Rim deadlock	Swing door	Inward opening	
	Grade K	Mortise lock	Swing door		Locked from inside
	Grade L	Mortise lock	Sliding door		Locked from inside
	Grade M	Rim deadlock	Swing door		Locked from inside
	Grade N	Rim deadlock	Sliding door		Locked from inside
	Grade P	Mortise lock	Swing door	Supported	Locked from inside
Grade R	Rim deadlock	Swing door	Inward opening	Locked from inside	

Type of key operation and locking		
9	Grade 0	Not applicable
	Grade A	Cylinder lock; manually locking
	Grade B	Cylinder lock; automatically locking
	Grade C	Cylinder lock; manually locking with intermediate locking
	Grade D	Lever lock or latch; manually locking
	Grade E	Lever lock or latch; automatically locking
	Grade F	Lever lock or latch; manually locking with intermediate locking
	Grade H	Lock without key operation; automatically locking
Type of spindle operation		
10	Grade 0	Lock without follower
	Grade 1	Lock with knob or sprung lever handle operation
	Grade 2	Lock with unsprung lever handle operation
	Grade 3	Lock with heavy sprung lever handle operation and heavy-duty application
	Grade 4	Lock with manufacturer's own specification door hardware; heavy-duty application and heavy hold-up spring
Key identification		
11	Grade 0	No requirements
	Grade A	Minimum three detaining elements
	Grade B	Minimum five detaining elements
	Grade C	Minimum five detaining elements; extended numbers of different differs
	Grade D	Minimum six detaining elements
	Grade E	Minimum six detaining elements; extended number of effective differs
	Grade F	Minimum seven detaining elements
	Grade H	Minimum eight detaining elements; extended number of effective differs

Standards at a glance

Classification code with EN 14846



EN 14846

Classification code

EN 14846

	1	2	3	4	5	6	7	8	9
1	Category of use								
2	Durability and load on latch								
3	Door mass and closing force								
4	Suitability for use on fire and smoke protection doors								
5	Security								
6	Corrosion resistance, temperature and humidity								
7	Security and drill resistance								
8	Security – electrical function								
9	Security – electrical manipulation								

Category of use		
1	Grade 1	Use by people with a high incentive to exercise care (e.g. internal residential doors)
	Grade 2	Use by people with some incentive to exercise care (e.g. public office doors)
	Grade 3	Use by public
Durability and load on latch		
2	Grade A	50,000 test cycles; no load on latch
	Grade B	100,000 test cycles; no load on latch
	Grade C	200,000 test cycles; no load on latch
	Grade F	50,000 test cycles; latch load of 10 N
	Grade G	100,000 test cycles; latch load of 10 N
	Grade H	200,000 test cycles; latch load of 10 N
	Grade L	100,000 test cycles; latch load of 25 N
	Grade M	200,000 test cycles; latch load of 25 N
	Grade R	100,000 test cycles; latch load of 50 N
	Grade S	200,000 test cycles; latch load of 50 N
	Grade W	100,000 test cycles; latch load of 120 N
	Grade X	200,000 test cycles; latch load of 120 N
Grade Y	200,000 test cycles; latch load of 250 N	

Door mass and closing force				
3	Grade 1	Door mass up to 100 kg	50 N max. closing force	
	Grade 2	Door mass up to 200 kg	50 N max. closing force	
	Grade 3	Door mass above 200 kg as specified by the manufacturer	50 N max. closing force	
	Grade 4	Door mass up to 100 kg	25 N max. closing force	
	Grade 5	Door mass up to 200 kg	25 N max. closing force	
	Grade 6	Door mass above 200 kg as specified by the manufacturer	25 N max. closing force	
	Grade 7	Door mass up to 100 kg	15 N max. closing force	
	Grade 8	Door mass up to 200 kg	15 N max. closing force	
	Grade 9	Door mass above 200 kg as specified by the manufacturer	15 N max. closing force	
Suitability for use on fire and smoke protection doors				
4	Grade 0	Not approved for fire and smoke protection doors		
	Grade A	Suitable for use on smoke protection doors		
	Suitable for use on fire and smoke protection doors:			
	Grade B	15 min.		
	Grade C	30 min.		
	Grade D	60 min.		
	Grade E	90 min.		
Grade F	120 min. or more			
Security				
5	-			



Corrosion resistance, temperature and humidity				
	Grade	Corrosion	Temperature	Humidity
6	Grade 0	No defined resistance	No defined resistance	No defined resistance
	Grade A	No defined resistance	No defined resistance	Grade 1
	Grade B	No defined resistance	No defined resistance	Grade 2
	Grade C	Low resistance	+5 °C to +55 °C	Grade 1
	Grade D	Medium resistance	+5 °C to +55 °C	Grade 1
	Grade E	High resistance	+5 °C to +55 °C	Grade 1
	Grade F	Very high resistance	+5 °C to +55 °C	Grade 1
	Grade G	Medium resistance	-10 °C to +55 °C	Grade 1
	Grade H	High resistance	-10 °C to +55 °C	Grade 1
	Grade J	Very high resistance	-10 °C to +55 °C	Grade 1
	Grade K	Medium resistance	-25 °C to +70 °C	Grade 2
	Grade L	High resistance	-25 °C to +70 °C	Grade 2
	Grade M	Very high resistance	-25 °C to +70 °C	Grade 2
	Grade N	No defined resistance	-25 °C to +70 °C	Grade 1
	Grade P	No defined resistance	-25 °C to +70 °C	Grade 2
Security and drill resistance				
7	Grade 0	For locks without security		
Security – electrical function				
8	Grade 0	No requirement		
	Grade 1	Audible or visual signal		
Security – electrical manipulation				
9	Grade 0	No requirement		
	Grade 1	According to table 7 EN 14846		
	Grade 2	According to table 7 EN 14846		
	Grade 3	According to table 7 EN 14846		

Standards at a glance

Doors in escape and rescue routes in accordance with EN 179 and EN 1125

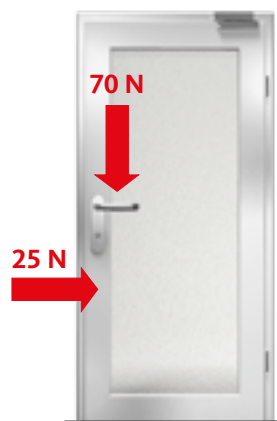


From a safety perspective, all doors in rescue routes are escape doors. They are to be labelled accordingly and equipped with panic exit devices in accordance with European standards.

The lock, door hardware and fixing accessories are tested together and may only be used as a tested unit. In addition to CE marking, they must also be marked with a classification code.

Scope of the test values

The test values defined in both standards apply to both 1-leaf and 2-leaf door elements. Likewise, the test values apply to locking systems with additional locking elements such as shoot-bolt locks or multi-point locks.



Emergency exit devices in accordance with EN 179

are designed for buildings or parts of buildings sections that are not open to the public, i.e. where users are familiar with the emergency exit and its doors hardware. They are used in all locations where the possibility of public traffic can be excluded.

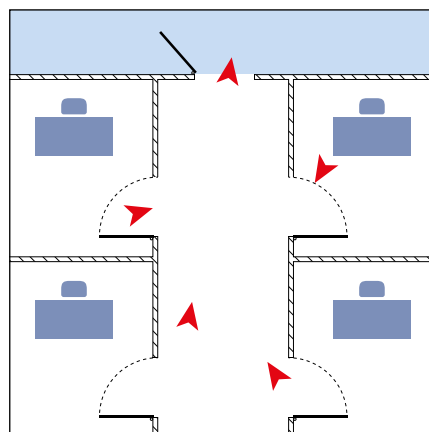
Application examples:

- Private housing
- Classrooms in schools
- Administrative buildings of industrial concerns not accessible to the public
- Areas in event buildings not accessible to the public
- Areas in airports, banks, shopping centres, etc. not accessible to the public

Lever handles or push pads are required as operating elements.

Easy opening of escape routes using emergency exit devices to EN 179

The main purpose of the performance requirements are to give safe and effective escape through a doorway with one single operation to release the emergency exit device. To test under conditions that are as realistic as possible, the door element is pre-stressed with a force of 25 newtons to simulate the gasket resistance. To achieve release with the maximum permissible tripping force of 70 newtons, low-friction interaction between the lever bearing, locking elements of the lock as well as the corresponding mounts in the door frame is required. Upon completion of the durability test, the exit devices are also subjected to a vandalism test to prove suitability for daily use.



Escape doors in accordance with EN 179 – no public access, office example



Panic exit devices in accordance with EN 1125

are used in public buildings or parts of buildings where visitors who are not familiar with the function of the escape doors must still be able to safely operate them without instruction in the event of an emergency. The objective is to provide a safe escape route with minimum effort and without previous knowledge of panic exit devices. Panic exit devices must also unlock safely if pressure (preload) is applied to the door (maximum 220 N with a pressure of 1000 N on the door).

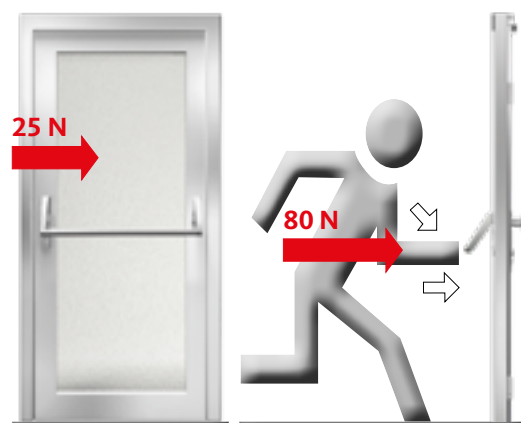
Application examples:

- Hospitals
- Escape routes in schools
- Public administration
- Areas in event buildings accessible to the public (cinema, theatre)
- Public areas in airports
- Public areas in shopping centres, etc.

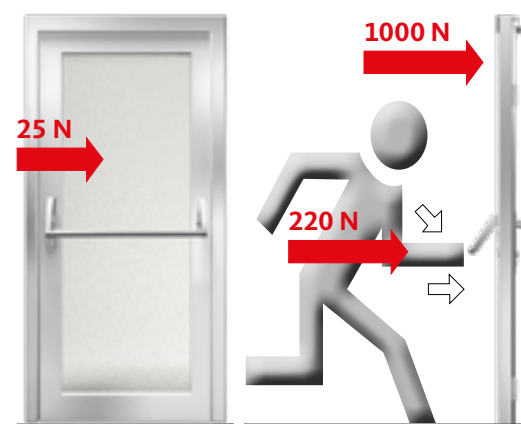
Push bars or touch bars are required as operating elements.

Easy opening of escape routes using panic exit devices according to EN 1125

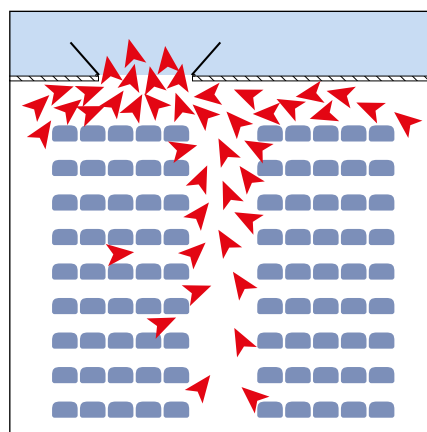
Each exit device is checked for suitability in two different tests. Panic exit devices are also subjected to a preload of 25 newtons to simulate gasket pressure. In the first test, the maximum permissible opening force of 80 newtons is used for testing to achieve release in the escape direction. During the second test, the door is preloaded with an additional 1000 newtons to simulate the combined impact of several people against the door element at the same time. In this case, the maximum permissible tripping force of 220 newtons must not be exceeded. Upon completion of the durability test, the exit devices are also subjected to a vandalism test to prove suitability for daily use.



Test 1: Door leaf without preload



Test 2: Door leaf with a preload of 1000 N



Escape doors in accordance with EN 1125 – with public traffic, example based on a theatre

Recommended use:

If there are any doubt about the conditions relating to building occupancy, it is recommended that panic exit devices in accordance with EN 1125 should preferably be specified. This also applies if the use of a building is likely to change in the future. Otherwise, significant retrofitting work may be necessary if the building inspection is repeated.

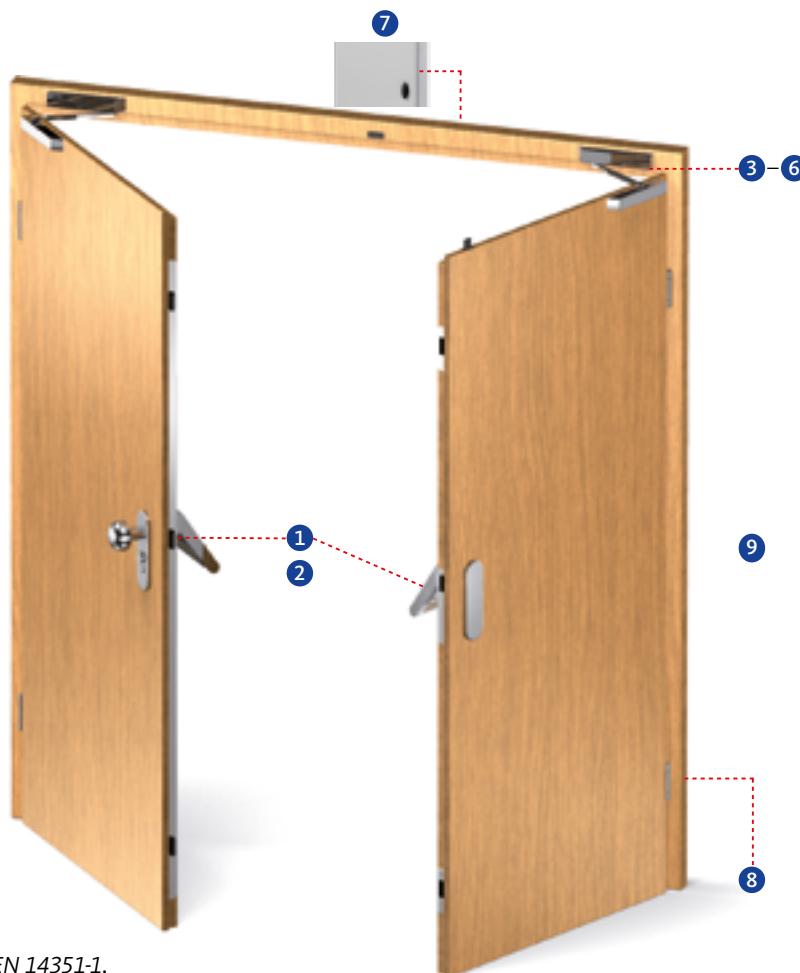
Standards at a glance

On the safe side with GU group products



CE-compliant products from the GU group range for:

- ① = Emergency exit and panic exit devices
- ② = Mechanical/electromechanical exit devices
- ③–⑥ = Door closers, hold-open systems
- ⑦ = Fire alarm systems, smoke switches
- ⑧ = Door and window hinges
- ⑨ = Accessories



Example of a two-leaf escape door in accordance with EN 14351-1.

The following harmonised standards are applied to Gretsich-Unitas group products

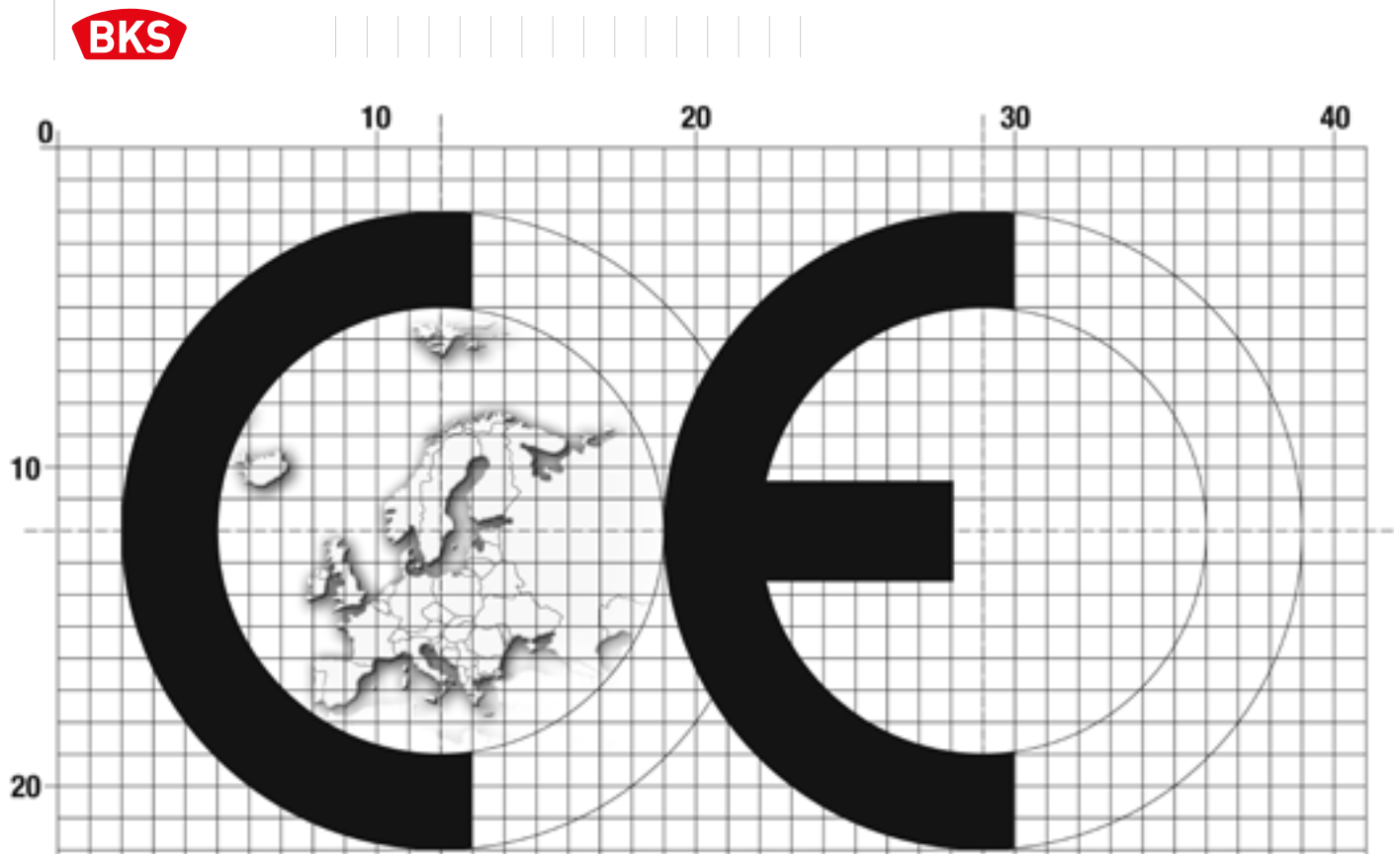
DIN	Description
EN 179	① Emergency exit devices (in escape routes)
EN 1125	① Panic exit devices (in escape routes)
EN 14846	② Electromechanically operated locks and strikers (in fire rated doors)
EN 12209	② Mechanically operated locks and strikers (in fire protection doors)
EN 1154	③ Door closers (on fire and smoke protection doors)
EN 1158	④ Door-leaf coordinators (in fire and smoke protection doors)
EN 1155	⑤ Electrical dogging mechanisms in swing doors (in fire and smoke protection doors)
EN 14637	⑥ Electrically controlled hold-open systems (for fire and smoke protection doors)
EN 54-7	⑦ Fire alarm systems (part 7: smoke switches)
EN 1935	⑧ Uniaxial door and window hinges (in escape routes and/or fire rated doors)
EN 14967	⑨ Sealing sheets – bitumen damp-proof sheets
EN 12101-2	Smoke and heat control systems

We have included a reference to the corresponding standards with the relevant products in our catalogue. This means you can see at a glance that the product is CPR-compliant.

The products in our extensive range are designed to meet rigorous demands and deliver performance, reliability and longevity and are harmonised with one another. The diversity of the group's range provides you with many advantages.

The CE symbol – redefining the familiar

Marking in accordance with the CPR



The CE marking is to be applied to the construction product itself or an attached label before the construction product is put into circulation and must be clearly visible, legible and permanent. If this is not possible, CE marking is to be attached to the packaging or the accompanying documents.

The letters, CE, are derived from Communautés Européennes (European communities) and, when attached to a product, signify that it meets the requirements of the European Union.

By attaching the CE marking, the manufacturer confirms that the product fulfils all statutory conditions for the CE marking.

This confirms that the manufacturer takes responsibility for compliance of the construction product with the characteristics listed in the Declaration of Performance.

"The CE marking is the technical passport for the product within the European Economic Area."

German institute for standardisation
(Deutsches Institut für Normung e. V.)

Functional description

Double-acting panic function



1. Double-acting panic function

The active leaf can be opened at any time without the key, even if the door is locked, by operating the door hardware on the inside. When the door hardware on the inside of the passive leaf is operated, the vertical rods retract into the door leaf and the latch and deadbolt of the active leaf lock are pushed back **at the same time**.

Both door leaves can therefore be opened abruptly and simultaneously. The panic function can be triggered at both door leaves – hence the description **double-acting**.



2. Single-acting panic function

The single-acting panic function is a restricted panic function which can only be used **with the consent of the building authorities**. By operating the door hardware on the inside of the passive leaf, the vertical rods retract into the door leaf and, **at the same time**, the latch and deadbolt of the active leaf lock are pushed back. Both door leaves can therefore be opened abruptly and simultaneously.

When the door hardware on the inside of the active leaf is operated, there is **no panic function**.

Important: when ordering the lock for the active leaf, please indicate that the "single-acting panic function" is required.

The panic function can only be triggered at the passive leaf – hence the description "**single-acting**".

Functional description

Panic function for outward opening doors



Escape direction
Panic function for outward-opening doors
(as a rule)

General

In Germany, the law stipulates that doors in escape routes and emergency exits open **in the escape direction**. The panic locks and lock and hardware combinations presented in this catalogue are therefore intended for outward-opening doors.

However, in certain cases and under certain conditions, inward-opening escape doors are acceptable. In this case you must **always** consult the building authorities beforehand.



Escape direction

Panic function for inward-opening doors
(special case requiring the approval of the building authorities)

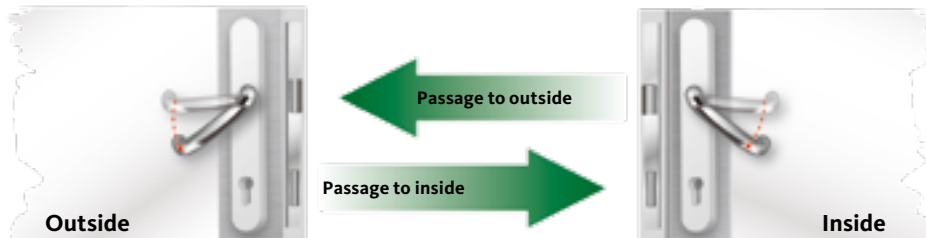
Notes

Locks of series 18 and 19 feature a switchable panic function. This makes it possible to switch the escape direction of the lock (see page 503).

Panic locks with one-piece followers and panic function E can be used for both inward and outward-opening doors without changing the lock. Only the door hardware must be mounted accordingly. Panic function E for inward opening doors requires the lever handle and vertical lever to be mounted on the hinge-side. The long backplate with lever handle or another operational element is mounted on the side opposite the hinges.

Functional description

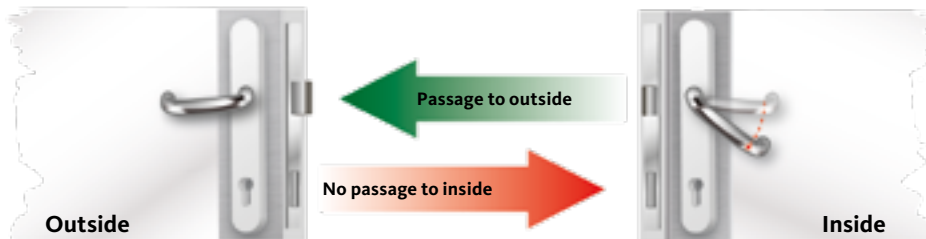
Panic function B



Opening position

Operation from inside and outside

Passage possible in both directions via the lever handle; the latch is retracted and the follower is coupled on both sides.



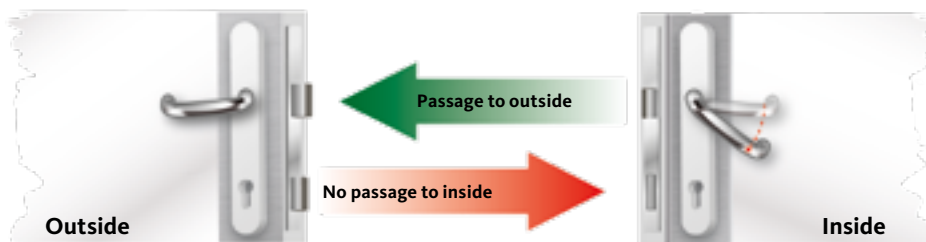
Initial position

Actuation from outside

Idling lever handle due to decoupled follower. The door can only be opened with the key. When the key is turned, the follower is coupled and the door can be opened with the lever handle. The follower coupling must subsequently be set to idle again by turning the key.

Actuation from inside

Exit, the door can always be opened in the escape direction.



Locked status

With locks from series 19 (self-locking), the automatic latch is locked automatically.

Actuation from outside

Idling lever handle due to decoupled follower. The door can only be opened with the key. When the key is turned, the follower is coupled and the door can be opened with the lever handle. The follower coupling must subsequently be set to idle again by turning the key.

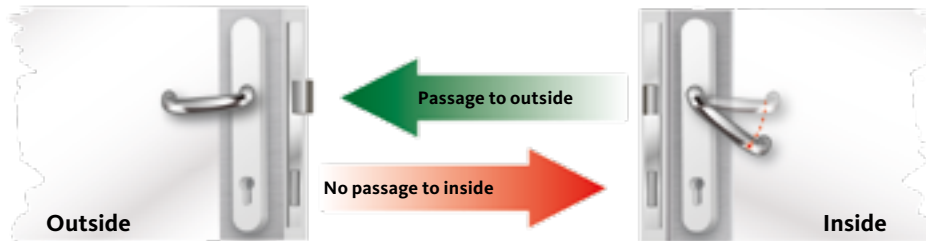
Actuation from inside

Exit, the door can always be opened in the escape direction.

Possible applications

As the lever handle is on the outside, the door is suitable for use as a connecting door.

- Hallway doors in office buildings
- Homes for the elderly
- Secondary entrance doors
- Secondary entrance doors in kindergartens, schools and hotels



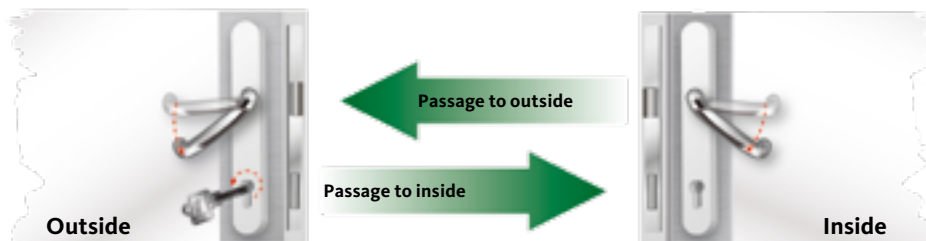
Initial position

Actuation from outside

Idling lever handle due to decoupled follower. The door can only be opened with the key.

Actuation from inside

Exit, the door can always be opened in the escape direction.



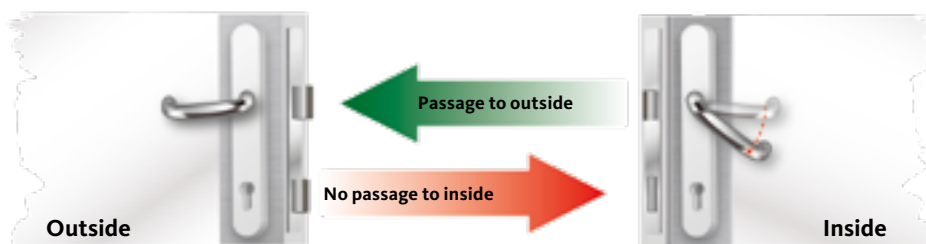
Opening position

Actuation from outside

Idling lever handle due to decoupled follower. The door can only be opened with the key. By turning the key as far as possible in the opening direction, the follower is coupled and the door can be opened with the lever handle. When the key is removed, the exterior lever handle reverts automatically to idle.

Actuation from inside

Exit, the door can always be opened in the escape direction.



Locked status

With locks from series 19 (self-locking), the automatic latch is locked automatically.

Actuation from outside

Idling lever handle due to decoupled follower. The door can only be opened with the key. By turning the key as far as possible in the opening direction, the follower is coupled and the door can be opened with the lever handle. When the key is removed, the exterior lever handle reverts automatically to idle.

Actuation from inside

Exit, the door can always be opened in the escape direction.

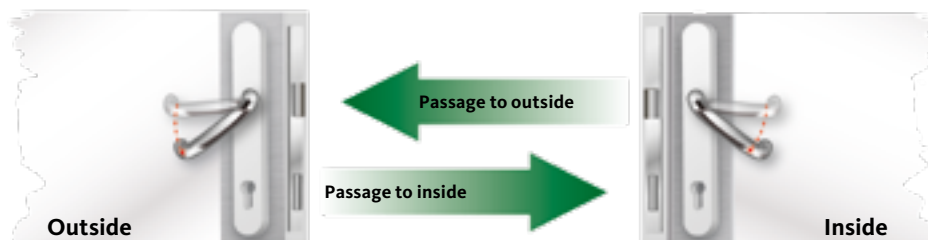
Possible applications

As the lever handle is on the outside, the door is suitable for use as a connecting door.

- Hallway doors in office buildings
- Homes for the elderly
- Secondary entrance doors
- Secondary entrance doors in kindergartens, schools and hotels

Functional description

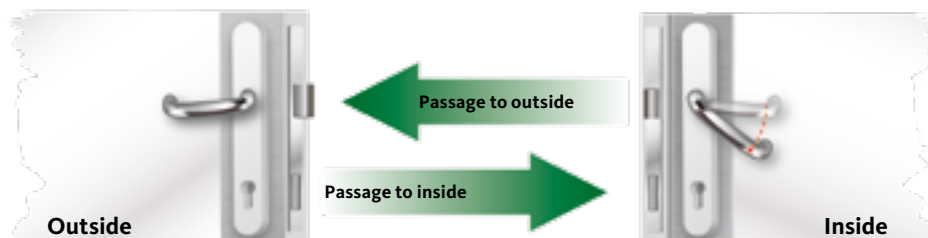
Panic function D



Opening position

Operation from inside and outside

Passage possible in both directions via the lever handle; the latch is retracted and the follower is coupled on both sides.



Locked status

Actuation from outside

Following actuation of the panic-function from the inside, the exterior lever handle is coupled again. Passage from outside to inside. When locking via the locking cylinder, the exterior lever handle is decoupled.

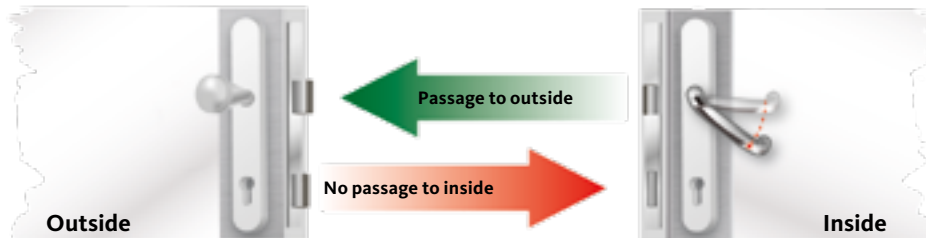
Actuation from inside

Opening the door in escape direction is possible at any time. After the lever handle has been operated, the deadbolt remains retracted until the next time it is locked using the key.

Possible applications

As the lever handle is on the outside, the door is suitable for use as a connecting door.

- Hallway doors in office buildings
- Homes for the elderly
- Secondary entrance doors
- Secondary entrance doors in kindergartens, schools and hotels



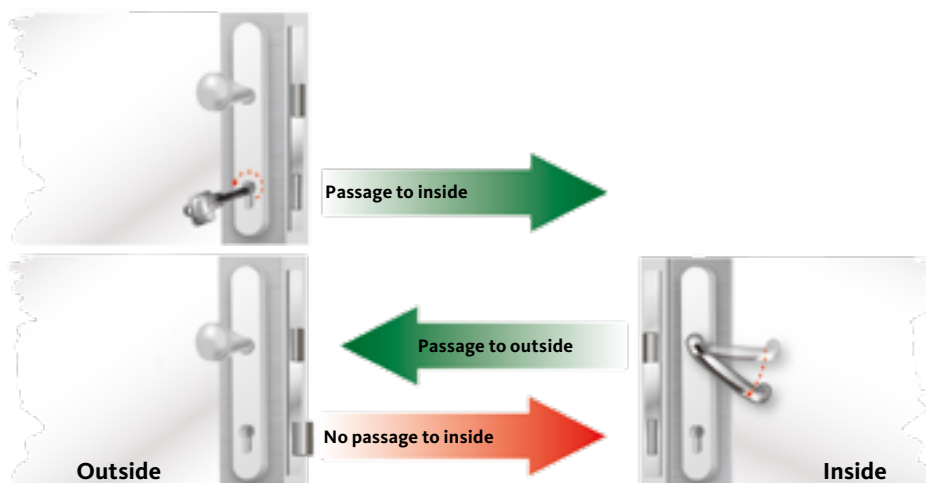
Initial position

Actuation from outside

Only a fixed knob or a push/pull handle are permitted to operate the door. The door is opened by key only which retracts the latch.

Actuation from inside

Exit, the door can always be opened in the escape direction.



Locked status

Actuation from outside

The door is opened by key only which retracts the latch. In locks of series 19 (self-locking), the latchbolt locks automatically.

Actuation from inside

Exit, the door can always be opened in the escape direction.

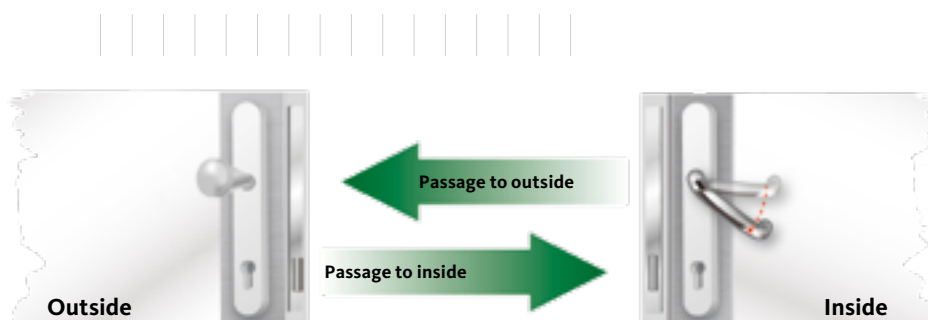
Possible applications

As the fixed knob or push/pull handle is on the outside, access from the outside is only possible using the key

- Doors on transformer stations and boiler rooms
- Lift
- Underground car parks
- Entrance doors for warehouses and commercial buildings
- Entrance to tenements and apartment buildings

Functional description

Panic function P



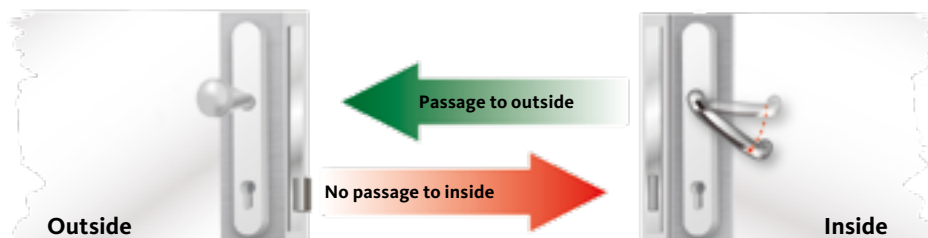
Opening position

Actuation from outside

Only a fixed knob or a push/pull handle are permitted to operate the door. The door can be opened by pulling/pushing the knob/lever handle. Entry, no latch (double-action swing door).

Actuation from inside

Exit, the door can always be opened in the escape direction.



Locked status

Actuation from outside

The door is opened by key only which retracts the deadbolt. The door is at the initial position following actuation of the panic function from the inside.

Actuation from inside

Opening the door in escape direction is possible at any time. After the lever handle has been operated, the deadbolt remains retracted until the next time it is locked using the key.

Possible applications

As the fixed knob or push/pull handle is on the outside, access from the outside is only possible using the key

- Doors on transformer stations and boiler rooms
- Lift
- Underground car parks



In many cases, the use of a top-locking on the active leaf renders the installation of a triple latch lock unnecessary. This can also be used on doors without a separate locking device on the passive leaf.

Top-locking with B 1895 passive-leaf control lock

The passive leaf is locked from above via the vertical rods projecting upwards into the door frame. The projection is 17 mm.



Top-locking with B 1795 spring-operated top latch

The projection is 12 mm. The spring-operated top latch 1795 can be used on the active leaf in conjunction with electric strikes and therefore is also suitable for automatic door systems. The spring-operated top latch 1796 is used on the passive leaf of 2-leaf door systems.

Functional description

Adjustable roller latch/End caps for U-faceplates



1426 security lock with roller latch



B 1305 roller latch lock

Adjustable roller latch

Lock: 1426

Locks with roller latches are also suitable for double-action swing doors. The ideal position of the roller latch to catch the door is adjusted by a screw accessible from the front of the roller latch.

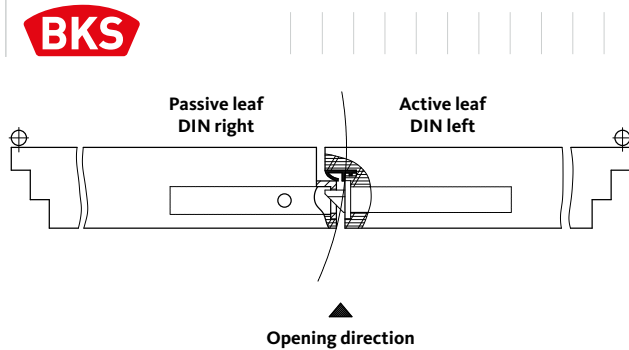
Locks : 1300RF, 1305, 1315, 1325

Locks with roller latches are also suitable for double-action swing doors. The ideal position of the roller latch to catch the doors is adjusted by a screw accessible from the front of latch body.



End caps for U-faceplate

Locks with U-faceplate come with BKS end caps. The end caps are equipped with expanding mandrels that can be used for fastening in the profile. To achieve a more stable fastening, these can be removed and rivet-down nuts used instead.

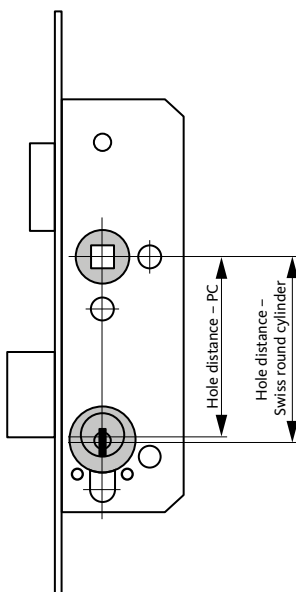


Protection from jamming

When designing a door element, it is important to ensure that when both door leaves are opened simultaneously their movement will not be restricted. Door jamming can lead to destruction of the door hardware components, including the door element itself. When checking this, it is important to consider the criteria door leaf width, door thickness, overlaps, clearance, pivot point of the door leaves and the projection of the hardware.

It must for example be proven by test institutes that the movement of a double-leaf escape door is not restricted when opened by the door hardware of the passive leaf (vertical lever or push bar).

Use of a **carrier bar** is obligatory on double-leaf doors. The carrier bar ensures that the active leaf is taken along at least as far as the action range of the door-leaf coordinator if in a panic situation the door is opened by the passive leaf. The correct closing sequence is always guaranteed.



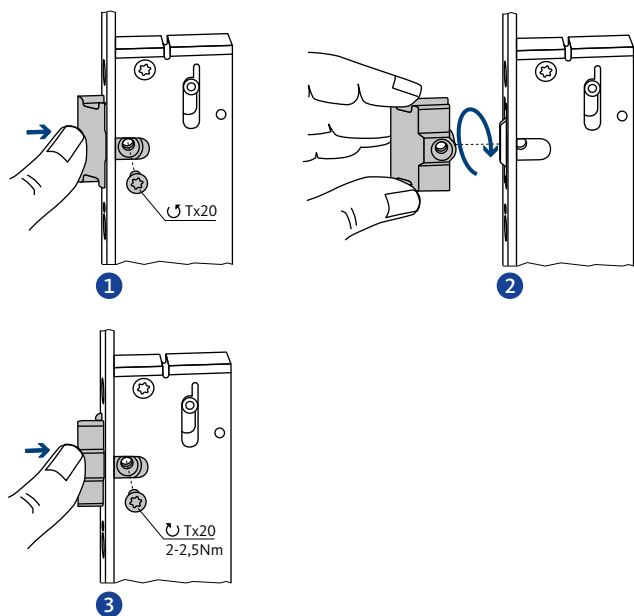
Swiss round profile-cylinder

Note that the hole centre-to-centre distance (follower-cylinder) in locks designed for Swiss round profile-cylinders is 2 mm larger than that of Euro profile cylinders.

Example: PC 92 mm = CH-RC 94 mm

Functional description

Reversible latch series 18/reversible latchbolt series 19



Reversible latch – series 18

The following steps must be observed to reverse the latch:

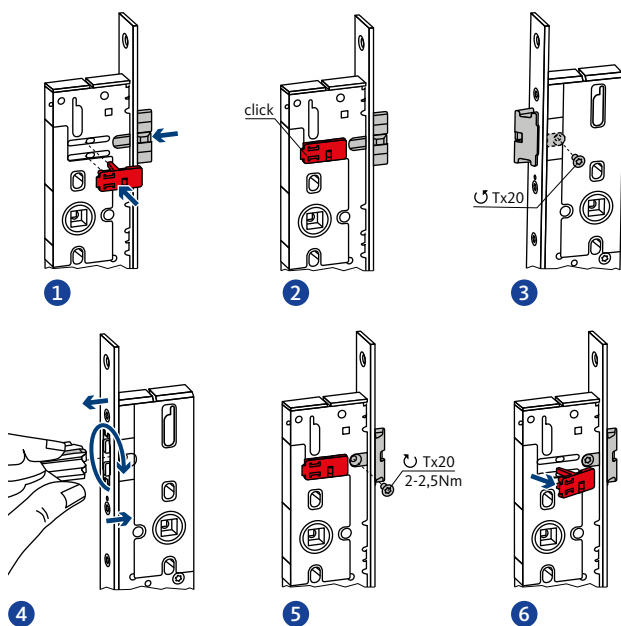
- 1 Push the latch back slightly and unscrew the countersunk screw which can be accessed via the hole in the lock case cover
- 2 Pull the latch out of the faceplate, rotate it axially by 180° and reinsert it
- 3 Pressing gently on the latch, screw the countersunk screw back in and tighten it firmly with a torque of 2 to 2.5 Nm

Note:

Versions with reversible latch are delivered as standard DIN left.

Essential tool: socket wrench insert Tx20

(not included in the scope of delivery)



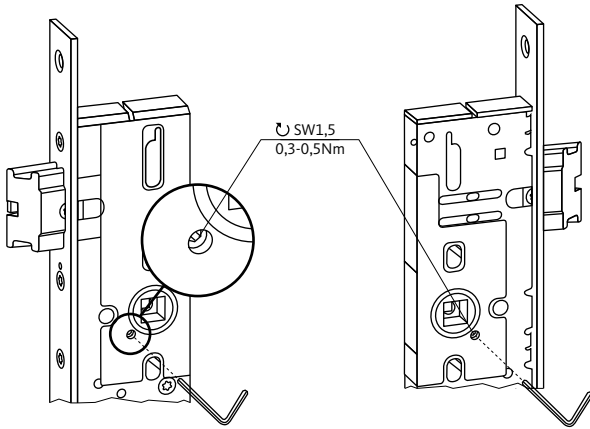
Reversible latchbolt, series 19

The following steps must be observed to reverse the latch:

- 1 Pull in latchbolt until the trigger lever snaps in behind the faceplate (latch position), insert latchbolt holder in the guides of the latchbolt and clamp
- 2 Latchbolt holder must audibly engage in the guides
- 3 Unscrew the countersunk screw which can be accessed via the hole in the lock case cover.
- 4 Press and hold down the trigger lever, pull out the latch from the faceplate, rotate it axially by 180° and reinsert it until the trigger lever snaps in behind the faceplate
- 5 Pressing gently on the latch, screw the countersunk screw back in and tighten it firmly with a torque of 2 to 2.5 Nm
- 6 Take out latchbolt holder and make sure the latchbolt is working correctly by operating the handle / latch lever and by actuating the trigger lever

Functional description

Switchable panic function series 18/series 19
Latch holdback series 18/series 19



Switchable panic function series 18/series 19

Locks with the panic functions B, C and D feature a switchable panic function. This makes it possible to change the escape direction of the lock, which might be necessary after reversing the latchbolt.

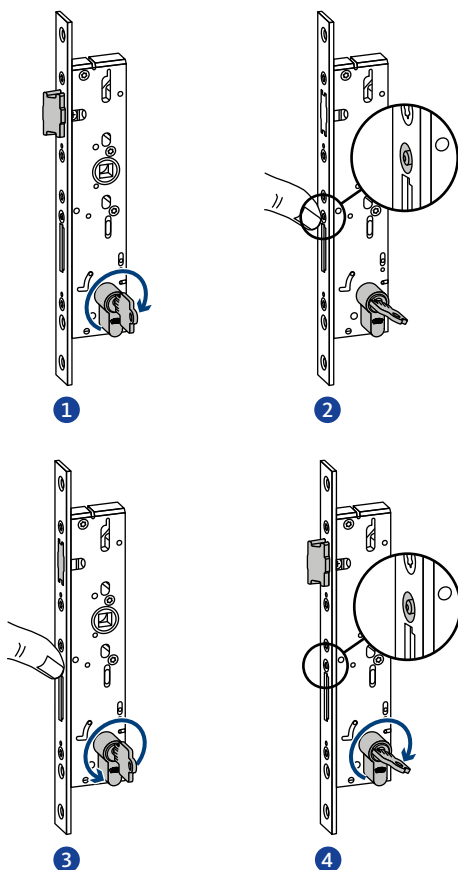
To switch the panic function, first actuate the trigger lever to bring the latchbolt in its locked position. Then turn the threaded pin at the position marked using a 1.5 mm Allen key as far as it will go. Finally, check that the panic function of the lock works properly.

To switch the panic function once again, follow the same procedure from the other lock side.



WARNING

When changing the escape direction from the side opposite the hinges (outward-opening) to the door hinge side (inward-opening) the approval according to EN 1125 ceases to be valid!



Latch holdback series 18/series 19

Key-controlled latch holdback

Note: Not approved for fire and smoke protection doors

Function for locks with latch lever

Activating the latch holdback:

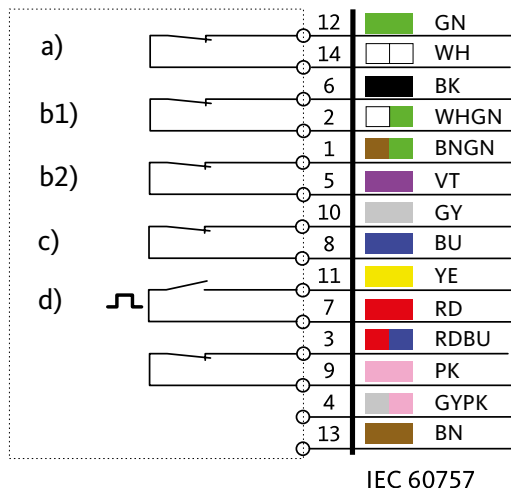
- 1 Retract the latch and hold it in retracted position using the key
- 2 Press the button on the faceplate down as far as it will go
- 3 Keep the button pressed while turning the key back again

Deactivating the latch holdback:

- 4 Turn the key once more; the actuation button must pop back out

Wiring diagrams

Lock monitoring – series 18



Monitoring functions – series 18

For single-leaf doors:

B-1820x; B-1822x; B-1824x; B-1826x;
B-1828x; B-1830x; B-1832x; B-1834x;
B-1836x; B-1838x

For double-leaf doors:

B-1821x; B-1823x; B-1825x; B-1827x;
B-1831x; B-1833x; B-1835x; B-1837x;
B-1839x

Connected values

Switching capacity (max.) 1 W
Switching current DC (max.) 100 mA
12 V DC/80 mA
24 V DC/40 mA

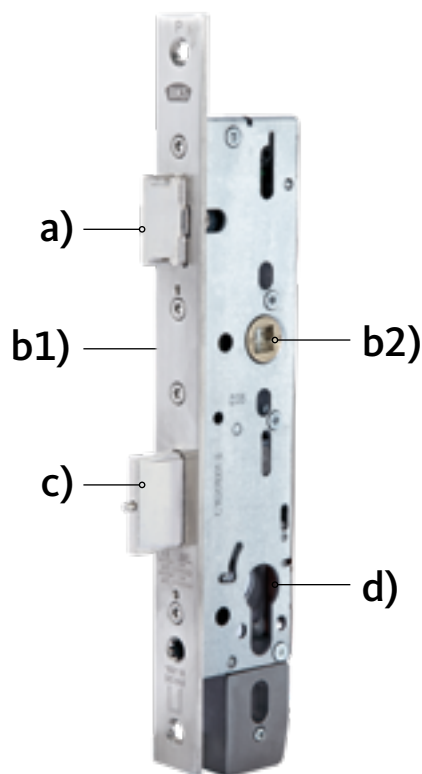
Note!

If a monitoring function is supplied in combination with a top-locking, the standard length of the faceplate increases upwards by 50 mm to 320 mm.

Accessories

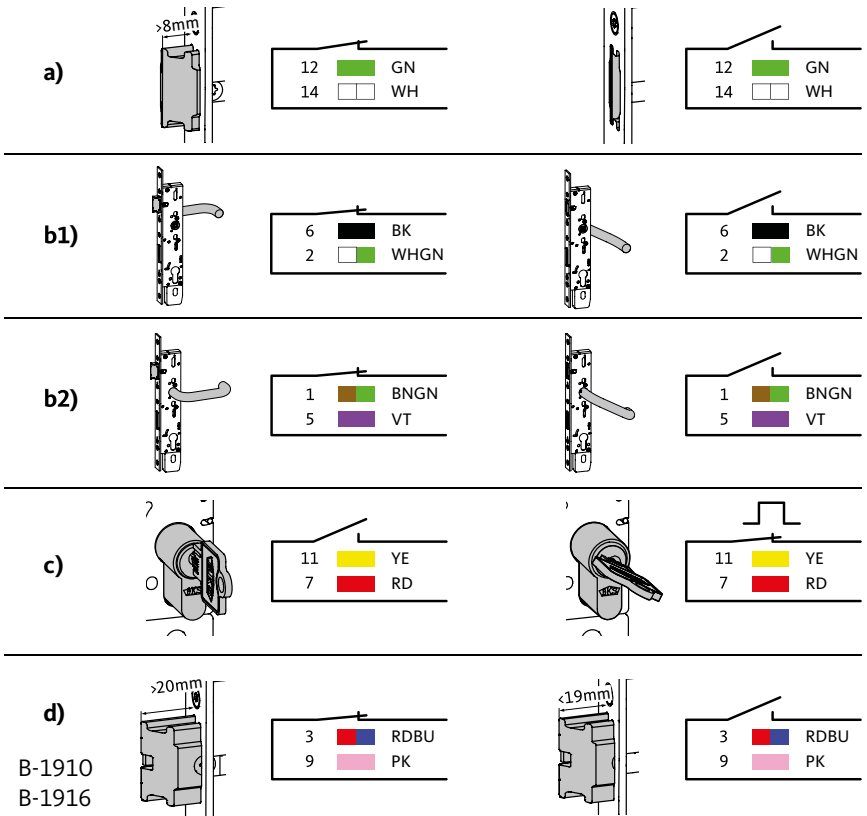
Included in the scope of delivery:

10 mm connecting cable B 5490 0300



Statuses of the lock contacts shown in initial position:

- a) Latch extended
- b) Lever handle not activated
(b1: on underside of lock case;
b2: on upper side of lock case)
- c) Deadbolt extended
- d) Cylinder in key withdrawal position



IEC 60757

Monitoring functions series 19/SECURY 19

Connected values

Switching capacity (max.) 1 W
 Switching current DC (max.) 100 mA
 12 V DC/80 mA
 24 V DC/40 mA

Note!

If a monitoring function is supplied in combination with a top-locking, the standard length of the faceplate increases upwards by 50 mm to 320 mm.

Accessories

Not included in the scope of delivery:

Connecting cable B 5490 0300, length 10 m (type LiYY 14 x 0.14 mm²)

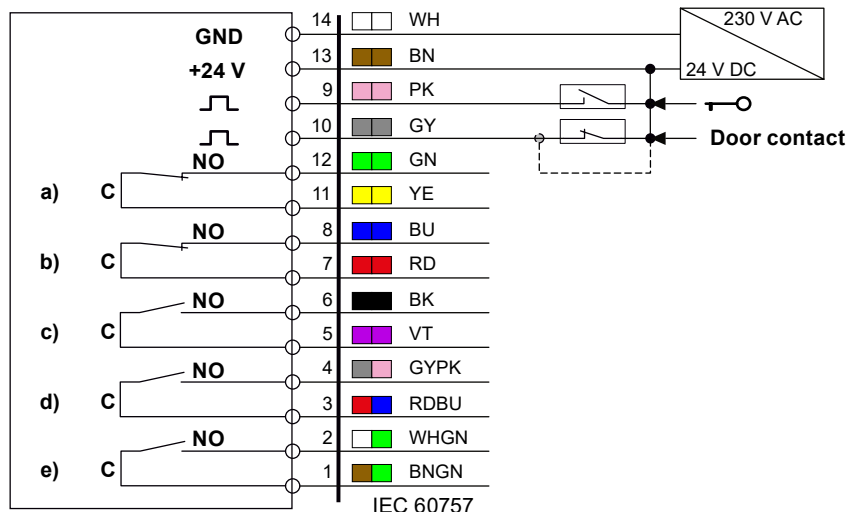
Optional:

B 5371 0020 lock tester



Wiring diagrams

Lock monitoring – B 1956/B 1959 motor-driven locks



B 1956/B 1959 motor-driven lock

The following elements of the motor-driven locks B 1956/B 1959 can be monitored electrically:

- Latchbolt b) c)
- Lever handle e)
- Cylinder locking cam d)

The electrical systems of the locking components can be monitored separately or together. As a rule, only minor changes to the standard lock recess are required.

Inputs

- Control input (100% duty ratio)
- Function input
- External door contact (TK)

Outputs

- Latchbolt and door contact monitoring (locked)
- Latchbolt monitoring (unlocked)
- Short-term release of cylinder cam
- Function output

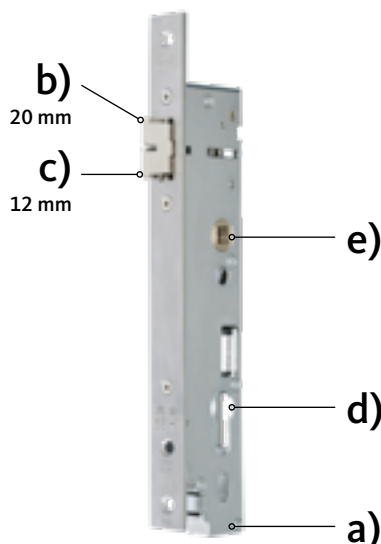
Accessories

Included in the scope of delivery:

Connecting cable B 5490 0300, length 10 m (type LiYY 14 x 0.14 mm²)

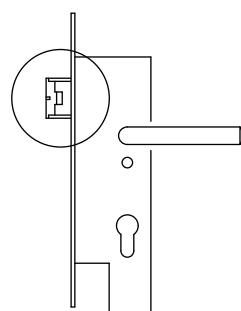
Optional:

- B 5371 0020 lock tester
- B 5490 0301 emergency power buffer

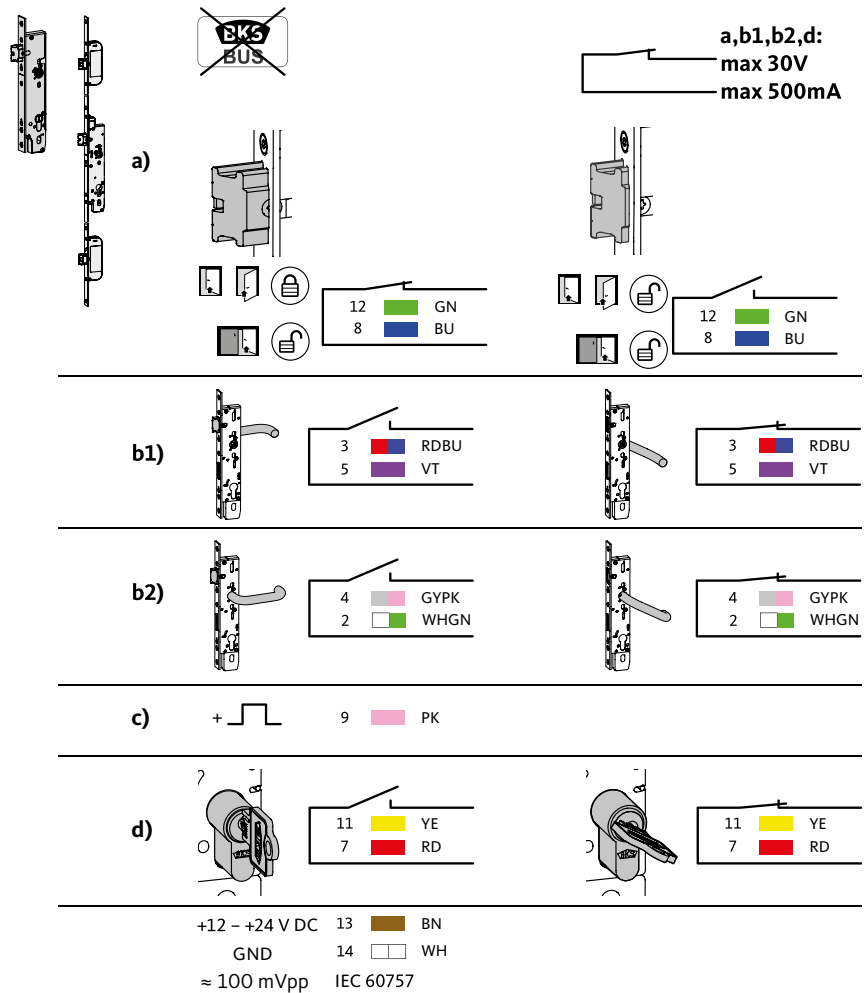


Wiring diagram

Latchbolt projected



Technical data	
Nominal voltage	24 V DC/± 15%
Current consumption	max. 900 mA
Standby	max. 20 mA
Contact load	24 V DC/1 A (125 V AC/0.3 A)



Electrically coupled panic lock

The exterior lever handle is electrically activated, i.e. access can be controlled electrically. Activation is possible by means of the door opener button, intercom or similar, time switches, or access control system. The statuses of the individual lock components are also queried electrically via integrated switches.

Accessories

Not included in the scope of delivery:
Connecting cable B 5490 0300,
length 10 m (type LiYY 14 x 0.14 mm²)

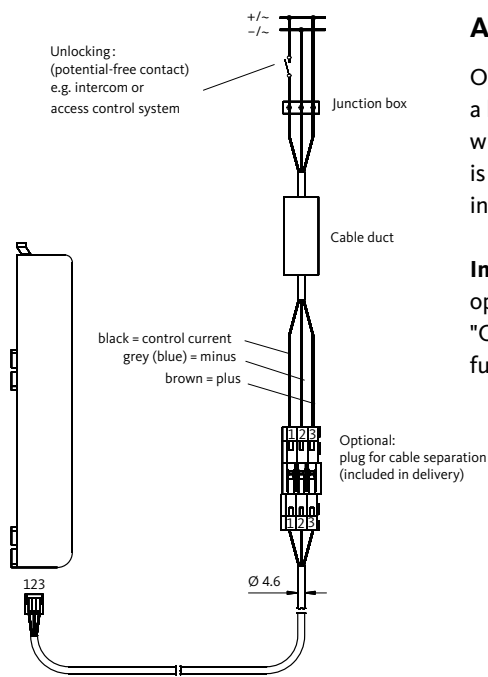
Optional:

B 5371 0020 lock tester



Wiring diagrams

A-opener set for SECURY multi-point locks



A-opener K-18153-01-0-0

Other loads (such as an electric strike or a lamp) must not be connected in parallel with the A-opener. If an additional load is required, a relay must be connected in-between.

Important: A switch for "permanent open" may be installed in parallel with the "Open" push-button (daytime latch release function). The switching time is unlimited.

Accessories

The connecting cable is included in the delivery (approx. 6 m long, with plug and wire end ferrules)

From junction box:

3-core cable

Max. external diameter: 6 mm

Wire cross-section

up to 10 m length: 0.50 mm²

up to 40 m length: 0.75 mm²

up to 50 m length: 1.00 mm²

up to 75 m length: 1.50 mm²

up to 125 m length: 2.50 mm²

(not supplied by GU-BKS)

Technical data	
Nominal voltage	12 V AC/12-24 V DC (stabilised)
Current consumption	max. 1 A
Protection code	IP40
Lifting force	max. 70 N





Globe with streaks of light kindly provided by Photographer's Choice RF/Getty Images



Instructions for use

Product information

512

Product liability

Product information

514

Standards and regulations at a glance

Product information

516

Instructions for use

Product information



1. Do not drill through the door leaf in the area of the lock when the lock is installed.



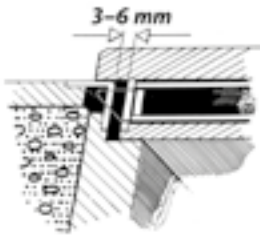
2. Do not hit the spindle through the follower with force.



3. Do not carry the door leaf by the lever handle.



4. The distance between lock faceplate and striker should be between 3 and 6 mm.



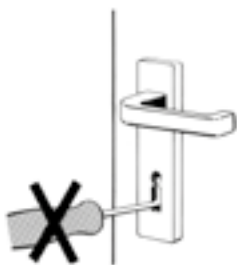
5. Do not paint over deadbolt or latch.



6. Do not apply any force to the lever handle other than in normal rotational direction. Only apply a maximum force of 150 N to the lever handle in the actuation direction.



7. The lock may only be operated with the appropriate key and not with foreign objects.



8. The deadbolt must not project when the door is open.



9. Do not operate lever handle and key at the same time.



10. Escape door locks must not be left with the key inserted.



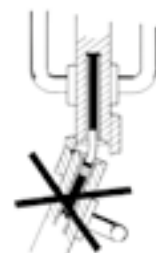
11. The use of mechanical/mechatronic knob cylinders must be checked in individual cases by referring to the compatibility list on our website.

Note:

When using push bars, it must not be possible for hands/fingers to be caught up when operating the push bar with the knob cylinder. Also ensure that the door can move freely.



12. 2-leaf doors without double-sided panic function (full panic function) must not be forced open via the passive leaf.





13. If there are signs that the lock has been tampered with (or forced) it must be replaced immediately.

14. Locks must be greased at least once a year.

Comply with these instructions when using BKS locks and door hardware!

Exclusion of liability

BKS products are permanently adapted and developed to meet the growing demands of the market. We also reserve the right to make changes during the course of technical development.

The necessity for this is based on:

- technical development
- changes and adaptations in the product range
- adaptation to changing laws and technical standards

The content of our documents was compiled with the greatest possible care. However, we accept no responsibility for errors or inaccuracies in relation to representation and description of the products.

Thank you for your understanding.

Product liability

Product information



According to the German Product Liability Act defining the liability of a manufacturer for his products, the following information about locks must be observed.

We as manufacturer will not accept liability for non-observance of this information.

1. Product information and intended use

The function of a lock is to keep a door shut, and to lock it. Simple lock designs serve only to shut the door. 'Keeping shut' means preventing a door from being opened by pulling or pushing while also allowing it to be easily opened, by operating a lever handle for example. The lock latch – generally called latch – serves as locking element.

Securing the closed door by blocking at least one deadbolt or latchbolt which engages in the appropriate recess in the frame or latch striker, is called blocking.

The deadbolt must be blocked in the extended position to prevent it being pushed back. Moreover, opening of the door without using the appropriate key must be effectively hampered.

A door may be locked only when it is in the fully closed position.

The length of the cylinder fixing screws must be selected to match the backset dimension of the lock or cropped to the appropriate length.

A mortise lock is a lock which is inserted into a recess in the door leaf (lock recess) and fixed with screws.

The following must be observed to assure their intended use:

- The chosen locks, latch plates, door hardware, attaching elements and locking cylinders must be compatible with each other.
- Installation, maintenance and possible replacement of the lock must be carried out in accordance with the state of the art. This is documented in standards related to these products and in the manufacturers' catalogues and instructions.

With locks for escape doors or special locks, the simultaneous operation of key and door hardware (such as the lever handle) is not allowed as a rule.

Locks for escape doors and special locks may only be combined with locking cylinders featuring a so-called thumbturn (e.g. knob cylinders) if this is contractually agreed with the lock manufacturer. It is generally assumed that only key owners have the right to operate the lock; in other words, the actuation of a lock via a knob cylinder (i.e. without key) is not considered a normal case.

The simultaneous retraction of latch and deadbolt by operation of the lever handle is a special case which should not generally replace the standard key operation for withdrawing the deadbolt.

Cylinders may only be installed in locks without reservation if they comply with a dimension standard (e.g. DIN 18252), and if the locks are in turn explicitly designed for cylinders according to this standard.

In all other cases, manufacturers, dealers, fabricators or consumers of such locks must ensure that the chosen cylinders are suitable for installation and the intended use.

Mandatory legal regulations and manufacturer's instructions must be observed. For example, locking cylinders with knob, knurled knob or similar thumbturn must not be installed in panic locks

General terms, if not explained in catalogues, brochures, price lists or on the internet, are defined in the standards relevant for these products (such as DIN 18250, DIN 18251, DIN 18252, DIN 18255, DIN 18257, DIN 18273, EN 179, EN 1125, EN 1303, EN 1906, EN 12209). Deviations from the relevant standard must be specified in the order.

2. Misuse

Misuse, non-intended use of locks, occurs for example if

- the flawless use is prevented by inserting foreign objects into the lock or striker.
- the lock or striker are manipulated in such a way that changes their design or function.
- the deadbolt is extended to prevent the door from closing.
- the function of the locking elements is hindered as a result of improper assembly or subsequent treatment (e.g. painting).
- a load is applied to the lever handle which exceeds the normal force applied by hand.
- unsuitable, e.g. dimensionally deviating or incorrect keys are used.
- the specified clearance increases or decreases as a result of hinge readjustments or lowering of the door leaf.
- a double-leaf door is opened by the passive leaf although not designed and approved for this.
- objects or extremities are put between the door leaf and frame when the door closes.
- activating the lever handle and the key simultaneously.



3. Product performance

Technical requirements other than those determined in our catalogues, brochures, price lists or performance specifications, etc. must be agreed with us.

In this context, the relevant standards serve as guidelines (for example, DIN 18250, DIN 18251, DIN 18252, DIN 18255, DIN 18257, DIN 18273, EN 179, EN 1125, EN 1303, EN 1906, EN 12209).

These standards define basic and additional requirements.

The serviceability of locks also depends on the operating frequency, operating method, environmental effects and maintenance.

Lock, striker, door hardware, locking cylinder and keys must be replaced as soon as problems occur despite proper maintenance.

The same applies after attempts to break locks and their accessories forcefully (burglary attempts).

4. Product maintenance

Locks must be lubricated with suitable lubricants at least once a year, or more frequently depending on the wear. Door hardware, striker and locking cylinder must be inspected for proper condition and attachment. Only detergent not containing corrosive ingredients may be used.

5. Duty to inform and to instruct

In order to comply with the duties to provide information and instruction prescribed by the German Product Liability Act, the following documents and services are made available to specialist dealers, locksmiths, architects, planners, fabricators and end users upon request:

- catalogues, brochures
- tender specifications, quotation documents, key combination records
- the relevant standards, e.g. DIN 18250, DIN 18251, DIN 18252, DIN 18255, DIN 18257, DIN 18273, EN 179, EN 1125, EN 1303, EN 1906, EN 12209 (exclusive distribution by Beuth Verlag GmbH, Berlin 30)
- instructions for installation, operation and maintenance

For the selection, installation, operation, and maintenance of locks and door hardware:

- architects and planners are obliged to request and observe all required product information from us.
- specialist dealers are obliged to observe product information and references in the price lists and to specifically request all necessary instructions from us and forward these to the fabricators.
- fabricators are obliged to observe all product information and specifically request operating and maintenance instructions from us and forward these to the clients and users.

Standards and regulations at a glance

Product information



For doors and door-related products, a whole range of standards and directives exists. The most important standards are:

DIN 107

Building construction; identification of right and left side

DIN 1080, part 1

Definitions, symbols and units in civil engineering, basics

DIN 4102, part 5 and 18

Part 5: Behaviour of building materials and components in fire; fire barriers, barriers in lift wells and fire-resistant glazing systems

Part 18: Fire behaviour of building materials and components; fire barriers; attestation of the quality 'self-locking' (durability test)

DIN 18055

Windows; joint impermeability, tightness against driving rain and to mechanical stress; specifications and tests

DIN 18082, part 1 and 3

Part 1: Fire barriers, steel doors T30-1, type A

Part 3: Fire barriers, steel doors T30-1, type B

DIN 18095, parts 1 and 2

Part 1: Doors; smoke control doors; terms and requirements

Part 2: Doors; smoke protection doors; type testing for operational reliability and leakage

DIN 18100

Doors; wall openings for doors; dimensions according to DIN 4172

DIN 18101

Doors, doors for buildings; sizes of door leaves, position of hinges and lock; interdependence of dimensions

DIN 18111, part 1

Door frames, steel door frames, standard door frames for rebated doors in masonry

DIN 18250

Mortise locks for fire rated doors

DIN 18251

Locks; mortise locks for doors

DIN 18252

Profile cylinders for door locks; terminology, designations

DIN 18255

Architectural hardware; lever handles, backplates and rosettes – terms, dimensions, requirements

DIN 18257

Building hardware; security hardware – definitions, measurements, requirements, testing and markings

DIN 18273

Building hardware; lever handle units for fire doors and smoke control doors – terms and definitions, dimensions, requirements and testing

DIN 18357

German construction contract procedures (VOB), part C: General technical specifications in construction contracts (ATV) – mounting of door and window hardware

DIN 18361

German construction contract procedures (VOB), part C: General technical specifications in construction contracts (ATV) – glazing work

DIN 68706, part 1

Interior doors of timber and timber materials, plywood doors, terms, preferential dimensions, structural features

EN 179

Emergency exit devices operated by a lever handle or push pad

EN 1125

Panic exit devices operated by a horizontal bar

EN 1154

Controlled door closing devices

EN 1303

Building hardware – cylinders for locks – requirements and test methods

EN 1627

Windows, doors, shutters – burglar resistance – requirements and classification

EN 1628

Windows, doors, shutters – burglar resistance – test method for the determination of resistance under static loading

EN 1629

Windows, doors and shutters – burglar resistance – test method for the determination of resistance under dynamic loading

EN 1630

Windows, doors, shutters – burglar resistance – test method for the determination of resistance to manual burglary attempts

EN 1634, part 1 and 3

Fire resistance tests for door assemblies and barriers

Part 1: Fire barriers

Part 3: Smoke control doors and shutters

EN 1906

Building hardware, lever handles and door knobs – requirements and test methods



Overall table of contents



General information

Table of contents 7

Systematic service

Service, planning, seminars 8

Ordering made easy

Your guide to using the catalogue 10

Materials and finishes 12

Explanation of pictographs 13

Lock and door hardware combinations

Single-leaf doors with standard function 15

Double-leaf doors with standard function 16

Single-leaf doors with panic function to EN 179 17

Single-leaf doors with panic function to EN 1125 19

Double-leaf doors with panic function to EN 179 21

Double-leaf doors with panic function to EN 1125 24

Special applications 26

Combination RNE 100 28

Combination RNEO 400 32

Combination RNE 120 36

Combination RNEO 420 40

Combination RNZA 150 44

Combination RNZO 150 48

Combination RNZA 180 52

Combination RPE 100 56

Combination RPEO 400 60

Combination RPES 100 64

Kombination RPE 120 68

Combination RPE 210 72

Combination RPEO 420 76

Combination RPES 120 80

Combination RPE 105 84

Combination RPEO 405 88

Combination RPES 105 92

Combination RPE 125 96

Combination RPEO 425 100

Combination RPES 125 104

Combination RPZA 110 108

Combination RPZA 110-M 112

Combination RPZO 110 116

Combination RPZAS 110 120

Combination RPZA 170 124

Combination RPZA 170-M 128

Combination RPZO 170 132

Combination RPZA 210 136

Combination RPZAS 170 140

Combination RPZA 115 144

Combination RPZA 115-M 148

Combination RPZO 115 152

Combination RPZAS 115 156

Combination RPZA 175 160

Combination RPZA 175-M 164

Combination RPZO 175 168

Combination RPZAS 175 172

Special applications

Panic function on the higher-mounted interior lever handle on the passive leaf	176
Panic function on the higher-mounted interior lever handle on the active leaf	177
Escape door locking	178
Kindergarten function.....	179
Automatic door function.....	180
Escape door locking – for 2-leaf doors	181
Kindergarten function – for double-leaf doors	182
Automatic door function – for double-leaf doors	183

Locks and multi-points locks

Table of contents	185
Product characteristics	186
Manual-locking locking systems – mortise locks	
0007 narrow stile lock	190
1205 narrow stile lock	192
1205H sliding door lock	194
1205SRH sliding door lock	196
Manual locking locking systems – mortise locks – series 13	
B 1300 narrow stile lock	198
B 1300 roller latch lock	200
B 1305 roller latch lock	202
B 1307 latch lock	204
B 1308 deadbolt lock.....	206
B 1308 rounded-deadbolt lock	208
B 1311 fire rated door lock.....	210
B 1314 narrow stile lock	212
B 1315 roller latch lock	214
B 1316 panic lock.....	216
B 1325 roller latch lock	218
B 1327 latch lock	220
B 1328 deadbolt lock.....	222
Manual locking locking systems – mortise locks – series 14	
1425 security lock	224
1426 security lock	226
1427 security lock	228
Manual locking locking systems – mortise locks – series 18	
B-1828 fire rated door lock	230
B-1838 fire rated door lock	232
B-1839 fire rated door lock	234
Manual-locking locking systems – mortise locks with panic function – series 18	
B 1793 shoot-bolt lock	236
B 1794 shoot-bolt lock	238
B-1820 panic lock.....	240
B-1821 panic lock.....	242
B-1822 panic lock.....	244
B-1823 panic lock.....	246
B-1824 panic lock.....	248
B-1825 panic lock.....	250
B-1826 panic lock.....	252
B-1827 panic lock.....	254
B-1830 panic lock.....	256
B-1831 panic lock.....	258
B-1832 panic lock.....	260
B-1833 panic lock.....	262
B-1834 panic lock.....	264
B-1835 panic lock.....	266
B-1836 panic lock.....	268
B-1837 panic lock.....	270
B-1840 panic lock	272
B-1841 panic lock	274
B-1842 panic lock	276

Overall table of contents



B-1843 panic lock	278	SECURITY 1970 EK	372
B-1844 panic lock	280	SECURITY 1971 EK	374
B-1845 panic lock	282	SECURITY 1975 EK	376
B-1846 panic lock	284	SECURITY 1916 EVP/SECURITY 1916 S EVP.....	378
B-1847 panic lock	286	Accessories – locks	
B-1848 panic deadbolt lock	288	B 1595 passive-leaf control lock.....	380
B-1849 panic deadbolt lock	290	B 1795/B 1796 spring-operated top latch	381
B-1866 panic lock	292	B 1895 passive-leaf control lock/Carrier bar MNK 8642.....	382
B-1890 shoot-bolt lock	294	B-1898 shoot-bolt	383
B-1891 shoot-bolt lock	296	B 1899 lever-operated shoot-bolt lock/B 1798 remote lock .	384
B-1892 shoot-bolt lock	298	SECURITY 19 extension/torque screwdriver.....	385
B-1893 motor-driven shoot-bolt lock	300	Accessories – strikers	
B-1896 shoot-bolt lock	302	S401 angled striker/S491 striker	386
Self-locking locking systems – mortise locks – series 19		S491 striker	387
B-1975 electrically coupled lock.....	304	B-9000 flat striker	390
Self-locking locking systems –		B-9000 flat striker/B-9000 lipped striker	391
mortise locks with panic function – series 19		B-9000 lipped striker/6-37368 flat striker	392
B-1900 panic lock.....	306	B-9000/9-49431 lipped striker	393
B-1901 panic lock.....	308	6-38426 latchbolt monitoring contact/B 9000 latch striker .	394
B-1902 panic lock.....	310	B 9000 striker for electric strike/B 9000 deadbolt striker.....	395
B-1903 panic lock.....	312	B 9000 lipped striker.....	396
B-1906 panic lock.....	314	Strikers.....	397
B-1907 panic lock.....	316	B 9000 lipped striker/B 9000 flat striker.....	399
B-1910 panic lock.....	318	B 9000 U-striker/B 9000 lipped striker.....	400
B-1911 panic lock.....	320	Strikers for PVC profiles	401
B-1912 panic lock.....	322	Profile guard plate	406
B-1913 panic lock.....	324	Deadbolt cover	407
B-1916 panic lock.....	326	Accessories – miscellaneous	
B-1917 panic lock.....	328	B 9006 vertical rod.....	408
B-1920 electrically-locking panic lock.....	330	B 9006/B 9036 vertical rod	409
B-1926 electrically-locking panic lock.....	332	B 9009/B-0028 floor striker.....	410
B 1956 motor-driven panic lock	334	B 9003 floor striker/B 9019 guide plate for vertical rod	411
B 1959 motor-driven panic lock	336	Exchangeable faceplate – series 18	412
B-1970 electrically coupled panic lock	338	Exchangeable faceplate – series 19	413
B-1971 electrically coupled panic lock	340	GU-BKS electric strike ET 8	414
B-1980 electrically coupled panic lock	342	GU-BKS electric strike ET 8 METÖ	416
B-1981 electrically coupled panic lock	344	Control unit/Emergency power buffer	418
B-1990 shoot-bolt lock	346	I/O module EK	419
B-1993 motor-driven shoot-bolt lock	348	Radio transmitter/Radio receiver.....	420
Self-locking locking systems – multi-point locks – series 19		Handheld radio transmitter.....	421
SECURITY 1918	350	B 5465 electric escape door strike	422
Self-locking locking systems –		SECUREconnect/cable link	423
multi-point locks with panic function – series 19		Cable links	424
SECURITY 1910	352	Monitoring contacts	425
SECURITY 1910 ADR.....	354	Monitoring contacts/Emergency power buffer	426
SECURITY 1911	356	Connecting cable/A-opener.....	427
SECURITY 1911 ADR.....	358		
SECURITY 1912	360		
SECURITY 1913	362		
SECURITY 1916	364		
SECURITY 1916 ADR.....	366		
SECURITY 1917	368		
SECURITY 1917 ADR.....	370		

Door hardware for escape doors to EN 1125

Table of contents	429
Electrically-locking Touch Bar EVT	430
B-7441 touch bar	432
B-7443 touch bar with short backplate	434
B-7400 push bar with backplate	436
B-7401 push bar	438
B-7402 cranked push bar	440
B-7403 cranked push bar with backplate	442
B 7130 push bar sets	444
B 7130 push bar	447
B 7131 touch bar	451
Accessories for B 7130 push bar/B 7131 touch bar	454
Accessories – door hardware	
Square spindles/Screws	456
Fixing accessories/B 9032 monitoring contact for push bar	459
Escape door security	
Table of contents	461
Escape door control units	
FTNT10 escape door control units	462
FTNTAP on-wall escape door control units	464
I/O modules IO10 on wall/IO5 in-wall	466
FTNT10/FTNT20 escape door control units	
ST10/ST20 spring-operated key switches	467
B 5580 code keypad	468
Locking elements	
Electric escape door strikes	470
Magnetic locks	471
Accessories for escape door control units	
Surface-mounted housings/frames/covers	472
Power supply units/Accessories	473
Visualisation	
BKS-NET system software	474
System management	
BKS-NET system management	476
Bus components	477

Technical information

Table of contents	479
Standards at a glance	
Classification code EN 179	480
Classification code EN 1125	481
Classification code EN 12209	482
Classification code EN 14846	484
Doors in escape and rescue routes	
in accordance with EN 179 and EN 1125	486
On the safe side with GU group products	488
Marking in accordance with the CPR	489
Functional descriptions	
Double-acting panic function	490
Single-acting panic function	491
Panic function – for outward-opening doors	492
Panic function – for inward-opening doors	493
Panic function B	494
Panic function C	495
Panic function D	496
Panic function E	497
Panic function P	498
Top-locking on active and passive leaf	499
Adjustable roller latch/End caps for U-faceplates	500
Jamming of 2-leaf doors/Swiss round profile-cylinder	501
Reversible latch series 18/reversible latchbolt series 19	502
Switchable panic function series 18/series 19	503
Latch holdback series 18/series 19	503
Wiring diagrams	
Lock monitoring – series 18	504
Lock monitoring – series 19/SECURY series 19	505
Lock monitoring – B 1956/B 1959 motor-driven locks	506
Lock monitoring – electrically coupled panic locks series 19/SECURY series 19	507
A-opener kit – for SECURY multi point locks	508
Useful information	
Table of contents	511
Instructions for use	512
Product liability	514
Standards and regulations at a glance	516
Exclusion of liability/Copyright notice/Image credits	522



Indication character of the technical information, exclusion of liability

The technical documents are general information based on our experience and tests and therefore do not take any specific application into account. They are intended as general information and for initial orientation only, and must not be used as the decision-making basis. They reflect the version of the catalogue at the time of going to press. Although we have made every attempt to ensure the information provided here is accurate, it is non-binding. It should be adapted to the respective construction projects, usage and specific on-site demands. As a consequence of further developments, but also in order to take current developments into account and to exclude printing errors or other mistakes, you will find the current version of the binding technical documents at www.g-u.com. Be sure to use the latest edition of our technical documents.

The product images shown in the publication may differ from the actual product, particularly as a result of technical improvements. We would also like to draw your attention to the current information at the website mentioned above.

Copyright notice

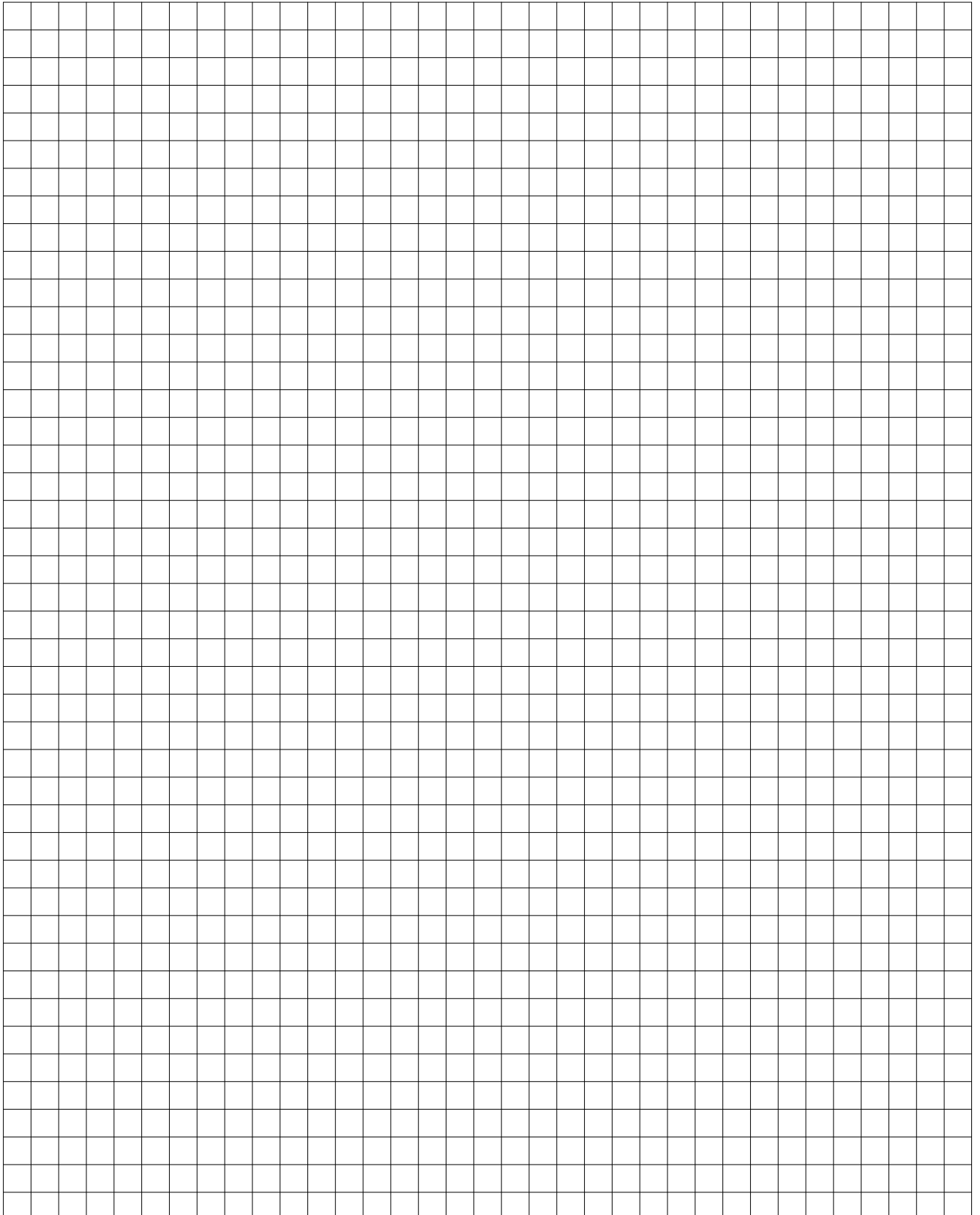
© All illustrations and texts in this publication are protected by copyright. Unless otherwise stated on the image, the rights belong to the Gretsch-Unitas group. Any use of copyright protected materials without the consent of the holder of the rights is prohibited.

Image credits

Page 510: Globe with streaks of light kindly provided by Photographer's Choice RF/Getty Images

Publisher

Gretsch-Unitas GmbH Baubeschläge
Johann-Maus-Str. 3
71254 Ditzingen
Germany
Tel. +497156 301-0
Fax +497156 301-293
www.g-u.com





WINDOW TECHNOLOGY
DOOR TECHNOLOGY
AUTOMATIC ENTRANCE SYSTEMS
BUILDING MANAGEMENT SYSTEMS

Gretsch-Unitas GmbH
Baubeschlage
Johann-Maus-Str. 3
71254 Ditzingen
Germany
Tel. +49 7156 301-0
Fax +49 7156 301-77980

BKS GmbH
Heidestr. 71
42549 Velbert
Germany
Tel. +49 2051 201-0
Fax +49 2051 201-9733

www.g-u.com

WP02016-04-2-1 09/2023

Securing technology for you

