



WINDOW TECHNOLOGY
DOOR TECHNOLOGY
AUTOMATIC ENTRANCE SYSTEMS
BUILDING MANAGEMENT SYSTEMS



DOOR TECHNOLOGY – ORDER CATALOGUE



GU door hinges for project, main and secondary entrance doors

Edition 08/2020

Securing technology for you



The Gretsch-Unitas group

Opening, moving, closing, securing – true to its motto "Securing technology for you", Gretsch-Unitas group provides groundbreaking solutions for window and door technology, automatic entrance systems and building management systems. With its system brands, the group delivers solutions for burglar inhibition on doors and windows, for barrier-free building, for doors in escape and rescue routes, extending to individual facade solutions for projects.



Gretsch-Unitas GmbH Baubeschläge



GU in Ditzingen is the headquarters of the group, development, administration and the production of modern architectural hardware for window and door technology. Apart from different flexible assembly departments, the production site comprises a high-tech punching, galvanising and anodising facility.

BKS GmbH



BKS manufactures mechanical and electronic locking cylinders, locks, locking systems and panic locks for escape and rescue routes. Harmonised mechanical and electronic system solutions are available for access control.

FERCO International S.A.S.



Ferco is the largest production site for window hardware in France. As a subsidiary of the Gretsch-Unitas group, Ferco also offers customer support and distribution in France for all products of the group.



GU Automatic



GU Automatic offers innovative, secure and reliable solutions for automatic entrance systems and automatic door systems, revolving doors, all-glass sliding walls, security curved sliding doors and controlled physical access.

ela-soft



The successful GEMOS facility management and organisation system was designed by ela-soft, one of the market and technology leaders in the building technology branch.

Securing technology for you







1 Door hinges for PVC elements

1.0 Table of contents	7
1.1 Technical information	8
1.2 Barrel and screw-on hinges for doors with high loads	19
1.3 Screw-on hinges for elements with low loads	40
1.4 Barrel and screw-on hinges for elements with special requirements	48
1.5 Barrel and screw-on hinges for elements without special requirements	52

2 Door hinges for timber elements

2.0 Table of contents	59
2.1 Technical information	60
2.2 Concealed hinges for rebated doors	67
2.3 Concealed hinges for flush doors	70
2.4 Door hinges for timber-aluminium elements For outwards-opening elements	76
2.5 Adjustable mill-in hinges for doors with small overlaps	79
2.6 Adjustable drill-in hinges	99

3 Door hinges for metal elements

3.0 Table of contents	119
3.1 Screw-on hinges for doors with high loads	121
3.2 Screw-on hinges for Bottom-Hung, Top-Hung and Side-Hung sashes	150

4 General information

	155
Exclusion of liability/Copyright notice	167





1 Door hinges for PVC elements

1.1 Technical information

Drilling jig technology	8
Adjustable fastening bush	9
Adjustment notes for screw-on hinges – GU G 81x series	10
Hinge selection according to system provider	12
Adjustment notes for barrel hinges – GU R 816 3D	16
Hinge selection criteria / drilling jig settings – GU R 816 3D	17

1.2 Barrel and screw-on hinges for doors with high loads

GU R 816 3D – Barrel hinge	for doors up to 160 kg	19
GU G 816 F 100 – Screw-on hinge	for doors up to 160 kg	25
GU G 812 F 100 – Screw-on hinge	for doors up to 120 kg	32
GU W 716 3D – Screw-on hinge	for doors up to 160 kg	36
GU W 712 3D – Screw-on hinge	for doors up to 120 kg	38

1.3 Screw-on hinges for elements with low loads

GU G 810 F 85 – Screw-on hinge	for doors up to 100 kg	40
GU G 810 F 100 S – Screw-on hinge	for doors up to 100 kg	44
GU G 810 F 85 S – Screw-on hinge	for doors up to 100 kg	46

1.4 Barrel and screw-on hinges for elements with special requirements

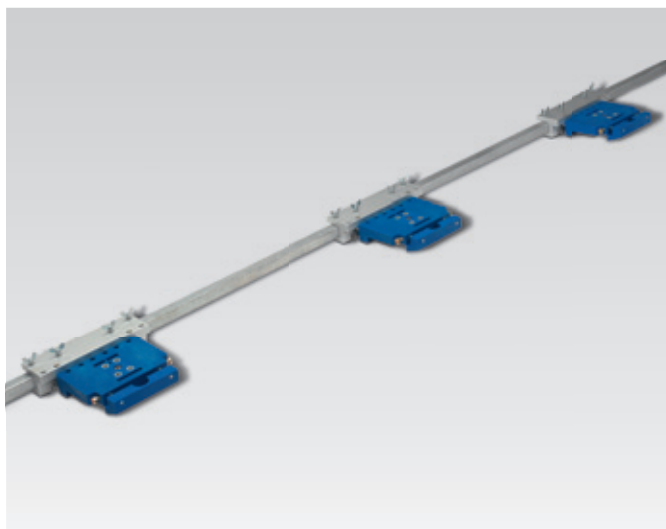
GU R 712 – Barrel hinge	for doors up to 120 kg	48
Barrel hinges made of aluminium	for Side-Hung, Bottom-Hung and Top-Hung elements up to 60 kg	50

1.5 Barrel and screw-on hinges for elements without special requirements

GU F 110 – Screw-on hinge	for doors up to 100 kg	52
GU F 90 – Screw-on hinge	for doors up to 80 kg	54
Barrel hinges made of zamak		56

Drilling jig technology

Hinges for PVC doors



Drilling jig holder



Drilling jig for GU screw-on hinges

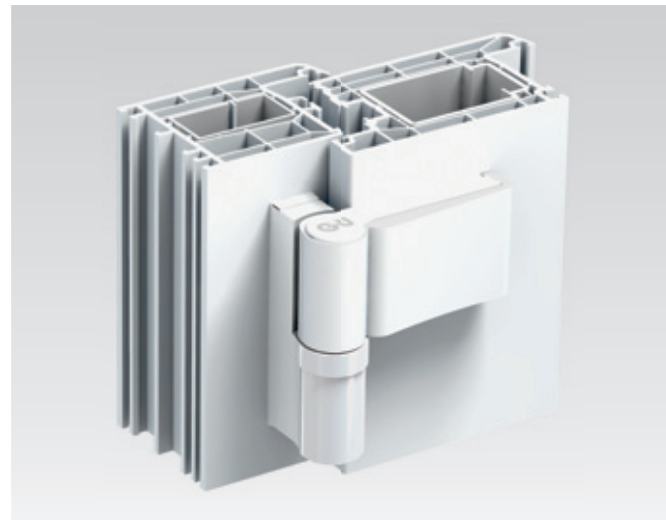
The appropriate jig technology for your choice of hinge

Perfect functioning of a hinge requires professional installation using the appropriate tools, drilling jigs, milling jigs and accessories. Consequently, GU provides the appropriate drilling and milling jigs for each hinge and therefore ensures precise and economical installation from a special solution through to series production. The appropriate jigs for your hinge can be found under the product-specific accessories on the respective order forms.

We provide drilling jigs for single mounting for our screw-on hinges. The integrated stop slide ensures the jig is correctly positioned on the door profile.

With the optional drilling jig holder, 3 jigs can be positioned optimally, so that efficient installation of even large doors is possible without any problem.

Adjustable fastening bush



Application example of the GU Bridge with screw-on hinge GU G 816 F 100

GU Bridge

We recommend the use of the GU Bridge in order to achieve maximum load absorption even on unfavourable PVC profile geometries. This height-adjustable fastening bush supports the door load on the reinforcement, thereby preventing the profile surface from being dented. The GU Bridge and fastening screws provided with the door hinge can be used on the GU screw-on hinges from the G series as well as barrel hinges GU R 816 3D.

The diameters of the existing drilling-hole pattern in the PVC profile can be enlarged by up to 15 mm using the respective stepped drill set.

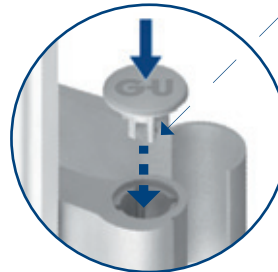
GU Bridge is available in three sizes, each size is steplessly adjustable to meet the particular requirements. The fastening bushes are placed onto the steel reinforcement before hinge mounting.

GU Bridge is also suitable for subsequent installation!

GU Bridge adjustable fastening bush

Designation	Overall depth in mm	PU	Order number
Size 1	13 – 18.5	10	H-01813-00-0-0
Size 2	18.5 – 29.5	10	H-01814-00-0-0
Size 3	29 – 40	10	H-01815-00-0-0
Stepped drill set for GU Bridge		1	H-01812-00-0-0

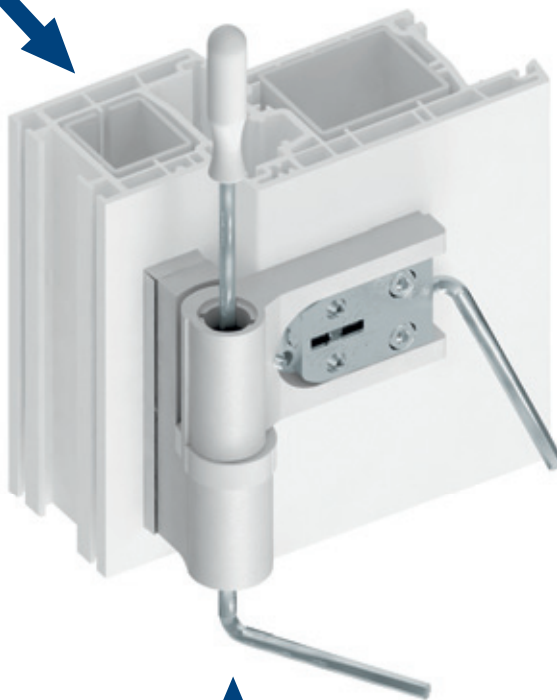
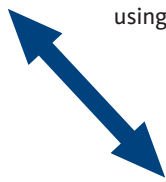
Adjustment notes for screw-on hinges – GU G 81x series



The pins on the cover caps act as an anti-twist safeguard for the socket. The pins and grooves of the cover cap and hinge must interlock during installation.

Gasket pressure adjustment

The hinge can be perfectly adjusted using the gasket pressure adjustment.



Horizontal adjustment

The door leaf can be adjusted steplessly in the horizontal direction via the self-locking screw, also without detaching the hinge components.



Vertical adjustment

The vertical height of the leaf can be adjusted with only a few turns, also when the door is hung.



Adjustment options according to hinge version:

	For hinge systems GU G 812 and GU G 816	For hinge system GU G 810	For hinge system GU F 90	For hinge system GU F 110
Gasket pressure adjustment	+1.50 mm / -1.00 mm	+1.50 mm / -1.00 mm	+1.50 mm / -1.50 mm	+1.50 mm / -1.50 mm
Horizontal adjustment	+4.00 mm / -4.00 mm	+5.00 mm / -5.00 mm	+5.00 mm / -5.00 mm	+10.00 mm / -5.00 mm
Vertical adjustment	+4.00 mm / -1.00 mm	+4.00 mm / -1.00 mm	+1.75 mm	+1.75 mm

Support pins for doors with particularly high loads

For GU G 816 F 100 screw-on hinge



GU G 816 F 100 – Drilling-hole pattern without support pins



GU G 816 F 100 – Drilling-hole pattern with support pins

Support pins for GU G 816 F 100 screw-on hinge

Depending on the profile selected and in combination with particularly high demands on the door and the door hinge, the additional support pins secure the leaf part in a level position.

Use of these pins on large door leaf widths and in combination with high door weights is recommended for doors with frequent mishandling (school or kindergarten).

The setting ranges of the door hinge are fully retained here.

The order numbers for GU screw-on hinges with support pins and the appropriate accessories can be found on page 30.

Hinge selection according to system provider

Profile-specific application recommendations



Profile system	Article	Part no.	Designation	Load-bearing capacity	Hinge class
Aluplast 2000	GU G 816 F100	H-01408-00-0	Screw-on hinge, 2-part	160 kg	14
	GU G 816 F100	H-01808-00-0	Screw-on hinge, 2-part with support pins	160 kg	14
	GU G 812 F100	H-01404-00-0	Screw-on hinge, 2-part	120 kg	13
	GU W 716 3D	H-01904-00-0	Screw-on hinge, 2-part	160 kg	14
	GU W 712 3D	H-01900-00-0	Screw-on hinge, 2-part	120 kg	13
Aluplast 4000	GU R 816 3D	H-01798-00-0	Barrel hinge, 3-part	160 kg	14
	GU G 816 F100	H-01409-00-0	Screw-on hinge, 2-part	160 kg	14
	GU G 816 F100	H-01809-00-0	Screw-on hinge, 2-part with support pins	160 kg	14
	GU G 812 F100	H-01405-00-0	Screw-on hinge, 2-part	120 kg	13
	GU W 716 3D	H-01904-00-0	Screw-on hinge, 2-part	160 kg	14
	GU W 712 3D	H-01900-00-0	Screw-on hinge, 2-part	120 kg	13
Aluplast 5000	GU R 816 3D	H-01798-00-0	Barrel hinge, 3-part	160 kg	14
	GU G 816 F100	H-01409-00-0	Screw-on hinge, 2-part	160 kg	14
	GU G 816 F100	H-01809-00-0	Screw-on hinge, 2-part with support pins	160 kg	14
	GU G 812 F100	H-01405-00-0	Screw-on hinge, 2-part	120 kg	13
	GU W 716 3D	H-01904-00-0	Screw-on hinge, 2-part	160 kg	14
	GU W 712 3D	H-01900-00-0	Screw-on hinge, 2-part	120 kg	13
Aluplast 7000	GU R 816 3D	H-01798-00-0	Barrel hinge, 3-part	160 kg	14
	GU G 816 F100	H-01409-00-0	Screw-on hinge, 2-part	160 kg	14
	GU G 816 F100	H-01809-00-0	Screw-on hinge, 2-part with support pins	160 kg	14
	GU G 812 F100	H-01405-00-0	Screw-on hinge, 2-part	120 kg	13
	GU W 716 3D	H-01904-00-0	Screw-on hinge, 2-part	160 kg	14
	GU W 712 3D	H-01900-00-0	Screw-on hinge, 2-part	120 kg	13
Aluplast 8000	GU R 816 3D	H-01798-00-0	Barrel hinge, 3-part	160 kg	14
	GU G 816 F100	H-01409-00-0	Screw-on hinge, 2-part	160 kg	14
	GU G 816 F100	H-01809-00-0	Screw-on hinge, 2-part with support pins	160 kg	14
	GU G 812 F100	H-01405-00-0	Screw-on hinge, 2-part	120 kg	13
	GU W 716 3D	H-01904-00-0	Screw-on hinge, 2-part	160 kg	14
	GU W 712 3D	H-01900-00-0	Screw-on hinge, 2-part	120 kg	13
Deceuninck Prestige	GU R 816 3D	H-01797-00-0	Barrel hinge, 3-part	160 kg	14
	GU G 816 F100	H-01409-00-0	Screw-on hinge, 2-part	160 kg	14
	GU G 816 F100	H-01809-00-0	Screw-on hinge, 2-part with support pins	160 kg	14
	GU G 812 F100	H-01405-00-0	Screw-on hinge, 2-part	120 kg	13
	GU W 716 3D	H-01904-00-0	Screw-on hinge, 2-part	160 kg	14
	GU W 712 3D	H-01900-00-0	Screw-on hinge, 2-part	120 kg	13
Deceuninck Arcade	GU R 816 3D	H-01798-00-0	Barrel hinge, 3-part	160 kg	14
	GU G 816 F100	H-01409-00-0	Screw-on hinge, 2-part	160 kg	14
	GU G 816 F100	H-01809-00-0	Screw-on hinge, 2-part with support pins	160 kg	14
	GU G 812 F100	H-01405-00-0	Screw-on hinge, 2-part	120 kg	13
	GU W 716 3D	H-01904-00-0	Screw-on hinge, 2-part	160 kg	14
	GU W 712 3D	H-01900-00-0	Screw-on hinge, 2-part	120 kg	13
Deceuninck Eforte	GU R 816 3D	H-01798-00-0	Barrel hinge, 3-part	160 kg	14
	GU G 816 F100	H-01409-00-0	Screw-on hinge, 2-part	160 kg	14
	GU G 816 F100	H-01809-00-0	Screw-on hinge, 2-part with support pins	160 kg	14
	GU G 812 F100	H-01405-00-0	Screw-on hinge, 2-part	120 kg	13
	GU W 716 3D	H-01904-00-0	Screw-on hinge, 2-part	160 kg	14
	GU W 712 3D	H-01900-00-0	Screw-on hinge, 2-part	120 kg	13
Deceuninck Elegant	GU R 816 3D	H-01798-00-0	Barrel hinge, 3-part	160 kg	14
	GU G 816 F100	H-01408-00-0	Screw-on hinge, 2-part	160 kg	14
	GU G 816 F100	H-01808-00-0	Screw-on hinge, 2-part with support pins	160 kg	14
	GU G 812 F100	H-01404-00-0	Screw-on hinge, 2-part	120 kg	13
	GU W 716 3D	H-01904-00-0	Screw-on hinge, 2-part	160 kg	14
	GU W 712 3D	H-01900-00-0	Screw-on hinge, 2-part	120 kg	13

Hinge selection according to system provider

Profile-specific application recommendations



Profile system	Article	Part no.	Designation	Load-bearing capacity	Hinge class
Deceuninck Elegant with Eforte leaf	GU R 816 3D	H-01798-00-0	Barrel hinge, 3-part	160 kg	14
	GU G 816 F100	H-01409-00-0	Screw-on hinge, 2-part	160 kg	14
	GU G 816 F100	H-01809-00-0	Screw-on hinge, 2-part with support pins	160 kg	14
	GU G 812 F100	H-01405-00-0	Screw-on hinge, 2-part	120 kg	13
	GU W 716 3D	H-01904-00-0	Screw-on hinge, 2-part	160 kg	14
	GU W 712 3D	H-01900-00-0	Screw-on hinge, 2-part	120 kg	13
Deceuninck Zen Dow neo	GU R 816 3D	H-01798-00-0	Barrel hinge, 3-part	160 kg	14
	GU G 816 F100	H-01409-00-0	Screw-on hinge, 2-part	160 kg	14
	GU G 816 F100	H-01809-00-0	Screw-on hinge, 2-part with support pins	160 kg	14
	GU G 812 F100	H-01405-00-0	Screw-on hinge, 2-part	120 kg	13
	GU W 716 3D	H-01904-00-0	Screw-on hinge, 2-part	160 kg	14
	GU W 712 3D	H-01900-00-0	Screw-on hinge, 2-part	120 kg	13
Gealan S3000 iQ	GU R 816 3D	H-01797-00-0	Barrel hinge, 3-part	160 kg	14
	GU G 816 F100	H-01408-00-0	Screw-on hinge, 2-part	160 kg	14
	GU G 816 F100	H-01808-00-0	Screw-on hinge, 2-part with support pins	160 kg	14
	GU G 812 F100	H-01404-00-0	Screw-on hinge, 2-part	120 kg	13
	GU W 716 3D	H-01904-00-0	Screw-on hinge, 2-part	160 kg	14
	GU W 712 3D	H-01900-00-0	Screw-on hinge, 2-part	120 kg	13
Gealan S7000 iQ	GU R 816 3D	H-01797-00-0	Barrel hinge, 3-part	160 kg	14
	GU G 816 F100	H-01408-00-0	Screw-on hinge, 2-part	160 kg	14
	GU G 816 F100	H-01808-00-0	Screw-on hinge, 2-part with support pins	160 kg	14
	GU G 812 F100	H-01404-00-0	Screw-on hinge, 2-part	120 kg	13
	GU W 716 3D	H-01904-00-0	Screw-on hinge, 2-part	160 kg	14
	GU W 712 3D	H-01900-00-0	Screw-on hinge, 2-part	120 kg	13
Gealan S7000 IQ plus	GU R 816 3D	H-01798-00-0	Barrel hinge, 3-part	160 kg	14
	GU G 816 F100	H-01410-00-0	Screw-on hinge, 2-part	160 kg	14
	GU G 816 F100	H-01810-00-0	Screw-on hinge, 2-part with support pins	160 kg	14
	GU G 812 F100	H-01406-00-0	Screw-on hinge, 2-part	120 kg	13
	GU W 716 3D	H-01905-00-0	Screw-on hinge, 2-part	160 kg	14
	GU W 712 3D	H-01901-00-0	Screw-on hinge, 2-part	120 kg	13
Gealan S8000 IQ	GU R 816 3D	H-01798-00-0	Barrel hinge, 3-part	160 kg	14
	GU G 816 F100	H-01409-00-0	Screw-on hinge, 2-part	160 kg	14
	GU G 816 F100	H-01809-00-0	Screw-on hinge, 2-part with support pins	160 kg	14
	GU G 812 F100	H-01405-00-0	Screw-on hinge, 2-part	120 kg	13
	GU W 716 3D	H-01904-00-0	Screw-on hinge, 2-part	160 kg	14
	GU W 712 3D	H-01900-00-0	Screw-on hinge, 2-part	120 kg	13
Gealan S9000 IQ	GU R 816 3D	H-01798-00-0	Barrel hinge, 3-part	160 kg	14
	GU G 816 F100	H-01409-00-0	Screw-on hinge, 2-part	160 kg	14
	GU G 816 F100	H-01809-00-0	Screw-on hinge, 2-part with support pins	160 kg	14
	GU G 812 F100	H-01405-00-0	Screw-on hinge, 2-part	120 kg	13
	GU W 716 3D	H-01904-00-0	Screw-on hinge, 2-part	160 kg	14
	GU W 712 3D	H-01900-00-0	Screw-on hinge, 2-part	120 kg	13
Rehau Euro-Design 60	GU R 816 3D	H-01797-00-0	Barrel hinge, 3-part	160 kg	14
	GU G 816 F100	H-01408-00-0	Screw-on hinge, 2-part	160 kg	14
	GU G 816 F100	H-01808-00-0	Screw-on hinge, 2-part with support pins	160 kg	14
	GU G 812 F100	H-01404-00-0	Screw-on hinge, 2-part	120 kg	13
	GU W 716 3D	H-01904-00-0	Screw-on hinge, 2-part	160 kg	14
	GU W 712 3D	H-01900-00-0	Screw-on hinge, 2-part	120 kg	13

Hinge selection according to system provider

Profile-specific application recommendations



Profile system	Article	Part no.	Designation	Load-bearing capacity	Hinge class
Rehau Brillant-Design 70	GU R 816 3D	H-01798-00-0	Barrel hinge, 3-part	160 kg	14
	GU G 816 F100	H-01409-00-0	Screw-on hinge, 2-part	160 kg	14
	GU G 816 F100	H-01809-00-0	Screw-on hinge, 2-part with support pins	160 kg	14
	GU G 812 F100	H-01405-00-0	Screw-on hinge, 2-part	120 kg	13
	GU W 716 3D	H-01904-00-0	Screw-on hinge, 2-part	160 kg	14
	GU W 712 3D	H-01900-00-0	Screw-on hinge, 2-part	120 kg	13
Rehau Synego	GU R 816 3D	H-01798-00-0	Barrel hinge, 3-part	160 kg	14
	GU G 816 F100	H-01409-00-0	Screw-on hinge, 2-part	160 kg	14
	GU G 816 F100	H-01809-00-0	Screw-on hinge, 2-part with support pins	160 kg	14
	GU G 812 F100	H-01405-00-0	Screw-on hinge, 2-part	120 kg	13
	GU W 716 3D	H-01904-00-0	Screw-on hinge, 2-part	160 kg	14
	GU W 712 3D	H-01900-00-0	Screw-on hinge, 2-part	120 kg	13
Rehau Geneo	GU R 816 3D	H-01798-00-0	Barrel hinge, 3-part	160 kg	14
	GU G 816 F100	H-01410-00-0	Screw-on hinge, 2-part	160 kg	14
	GU G 816 F100	H-01810-00-0	Screw-on hinge, 2-part with support pins	160 kg	14
	GU G 812 F100	H-01406-00-0	Screw-on hinge, 2-part	120 kg	13
	GU W 716 3D	H-01905-00-0	Screw-on hinge, 2-part	160 kg	14
	GU W 712 3D	H-01901-00-0	Screw-on hinge, 2-part	120 kg	13
Salamander Streamline 60	GU R 816 3D	H-01797-00-0	Barrel hinge, 3-part	160 kg	14
	GU G 816 F100	H-01408-00-0	Screw-on hinge, 2-part	160 kg	14
	GU G 816 F100	H-01808-00-0	Screw-on hinge, 2-part with support pins	160 kg	14
	GU G 812 F100	H-01404-00-0	Screw-on hinge, 2-part	120 kg	13
	GU W 716 3D	H-01904-00-0	Screw-on hinge, 2-part	160 kg	14
	GU W 712 3D	H-01900-00-0	Screw-on hinge, 2-part	120 kg	13
Salamander Brüggmann bluEvolution 73	GU R 816 3D	H-01797-00-0	Barrel hinge, 3-part	160 kg	14
	GU G 816 F100	H-01408-00-0	Screw-on hinge, 2-part	160 kg	14
	GU G 816 F100	H-01808-00-0	Screw-on hinge, 2-part with support pins	160 kg	14
	GU G 812 F100	H-01404-00-0	Screw-on hinge, 2-part	120 kg	13
	GU W 716 3D	H-01904-00-0	Screw-on hinge, 2-part	160 kg	14
	GU W 712 3D	H-01900-00-0	Screw-on hinge, 2-part	120 kg	13
Salamander Streamline AD	GU R 816 3D	H-01798-00-0	Barrel hinge, 3-part	160 kg	14
	GU G 816 F100	H-01409-00-0	Screw-on hinge, 2-part	160 kg	14
	GU G 816 F100	H-01809-00-0	Screw-on hinge, 2-part with support pins	160 kg	14
	GU G 812 F100	H-01405-00-0	Screw-on hinge, 2-part	120 kg	13
	GU W 716 3D	H-01904-00-0	Screw-on hinge, 2-part	160 kg	14
	GU W 712 3D	H-01900-00-0	Screw-on hinge, 2-part	120 kg	13
Salamander Brüggmann bluEvolution 82	GU R 816 3D	H-01798-00-0	Barrel hinge, 3-part	160 kg	14
	GU G 816 F100	H-01409-00-0	Screw-on hinge, 2-part	160 kg	14
	GU G 816 F100	H-01809-00-0	Screw-on hinge, 2-part with support pins	160 kg	14
	GU G 812 F100	H-01405-00-0	Screw-on hinge, 2-part	120 kg	13
	GU W 716 3D	H-01904-00-0	Screw-on hinge, 2-part	160 kg	14
	GU W 712 3D	H-01900-00-0	Screw-on hinge, 2-part	120 kg	13
Salamander Brüggmann bluEvolution 92	GU R 816 3D	H-01798-00-0	Barrel hinge, 3-part	160 kg	14
	GU G 816 F100	H-01409-00-0	Screw-on hinge, 2-part	160 kg	14
	GU G 816 F100	H-01809-00-0	Screw-on hinge, 2-part with support pins	160 kg	14
	GU G 812 F100	H-01405-00-0	Screw-on hinge, 2-part	120 kg	13
	GU W 716 3D	H-01904-00-0	Screw-on hinge, 2-part	160 kg	14
	GU W 712 3D	H-01900-00-0	Screw-on hinge, 2-part	120 kg	13

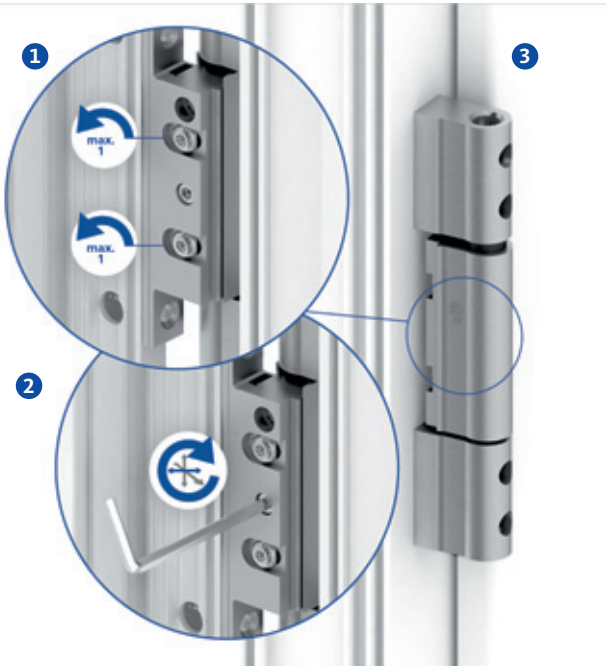
Hinge selection according to system provider

Profile-specific application recommendations



Profile system	Article	Part no.	Designation	Load-bearing capacity	Hinge class
Schüco Corona CT 60 AS	GU R 816 3D	H-01797-00-0	Barrel hinge, 3-part	160 kg	14
	GU G 816 F100	H-01408-00-0	Screw-on hinge, 2-part	160 kg	14
	GU G 816 F100	H-01808-00-0	Screw-on hinge, 2-part with support pins	160 kg	14
	GU G 812 F100	H-01404-00-0	Screw-on hinge, 2-part	120 kg	13
	GU W 716 3D	H-01904-00-0	Screw-on hinge, 2-part	160 kg	14
	GU W 712 3D	H-01900-00-0	Screw-on hinge, 2-part	120 kg	13
Schüco Corona CT 70 AS	GU R 816 3D	H-01798-00-0	Barrel hinge, 3-part	160 kg	14
	GU G 816 F100	H-01409-00-0	Screw-on hinge, 2-part	160 kg	14
	GU G 816 F100	H-01809-00-0	Screw-on hinge, 2-part with support pins	160 kg	14
	GU G 812 F100	H-01405-00-0	Screw-on hinge, 2-part	120 kg	13
	GU W 716 3D	H-01904-00-0	Screw-on hinge, 2-part	160 kg	14
	GU W 712 3D	H-01900-00-0	Screw-on hinge, 2-part	120 kg	13
Schüco Corona SI 82 AS	GU R 816 3D	H-01798-00-0	Barrel hinge, 3-part	160 kg	14
	GU G 816 F100	H-01409-00-0	Screw-on hinge, 2-part	160 kg	14
	GU G 816 F100	H-01809-00-0	Screw-on hinge, 2-part with support pins	160 kg	14
	GU G 812 F100	H-01405-00-0	Screw-on hinge, 2-part	120 kg	13
	GU W 716 3D	H-01904-00-0	Screw-on hinge, 2-part	160 kg	14
	GU W 712 3D	H-01900-00-0	Screw-on hinge, 2-part	120 kg	13
Schüco Living 82	GU R 816 3D	H-01798-00-0	Barrel hinge, 3-part	160 kg	14
	GU G 816 F100	H-01409-00-0	Screw-on hinge, 2-part	160 kg	14
	GU G 816 F100	H-01809-00-0	Screw-on hinge, 2-part with support pins	160 kg	14
	GU G 812 F100	H-01405-00-0	Screw-on hinge, 2-part	120 kg	13
	GU W 716 3D	H-01904-00-0	Screw-on hinge, 2-part	160 kg	14
	GU W 712 3D	H-01900-00-0	Screw-on hinge, 2-part	120 kg	13
Veka Softline 58	GU R 816 3D	H-01797-00-0	Barrel hinge, 3-part	160 kg	14
	GU G 816 F100	H-01408-00-0	Screw-on hinge, 2-part	160 kg	14
	GU G 816 F100	H-01808-00-0	Screw-on hinge, 2-part with support pins	160 kg	14
	GU G 812 F100	H-01404-00-0	Screw-on hinge, 2-part	120 kg	13
	GU W 716 3D	H-01904-00-0	Screw-on hinge, 2-part	160 kg	14
	GU W 712 3D	H-01900-00-0	Screw-on hinge, 2-part	120 kg	13
Veka Softline 70	GU R 816 3D	H-01798-00-0	Barrel hinge, 3-part	160 kg	14
	GU G 816 F100	H-01409-00-0	Screw-on hinge, 2-part	160 kg	14
	GU G 816 F100	H-01809-00-0	Screw-on hinge, 2-part with support pins	160 kg	14
	GU G 812 F100	H-01405-00-0	Screw-on hinge, 2-part	120 kg	13
	GU W 716 3D	H-01904-00-0	Screw-on hinge, 2-part	160 kg	14
	GU W 712 3D	H-01900-00-0	Screw-on hinge, 2-part	120 kg	13
Veka Sofline 76	GU R 816 3D	H-01798-00-0	Barrel hinge, 3-part	160 kg	14
	GU G 816 F100	H-01409-00-0	Screw-on hinge, 2-part	160 kg	14
	GU G 816 F100	H-01809-00-0	Screw-on hinge, 2-part with support pins	160 kg	14
	GU G 812 F100	H-01405-00-0	Screw-on hinge, 2-part	120 kg	13
	GU W 716 3D	H-01904-00-0	Screw-on hinge, 2-part	160 kg	14
	GU W 712 3D	H-01900-00-0	Screw-on hinge, 2-part	120 kg	13
Veka Softline 82	GU R 816 3D	H-01798-00-0	Barrel hinge, 3-part	160 kg	14
	GU G 816 F100	H-01409-00-0	Screw-on hinge, 2-part	160 kg	14
	GU G 816 F100	H-01809-00-0	Screw-on hinge, 2-part with support pins	160 kg	14
	GU G 812 F100	H-01405-00-0	Screw-on hinge, 2-part	120 kg	13
	GU W 716 3D	H-01904-00-0	Screw-on hinge, 2-part	160 kg	14
	GU W 712 3D	H-01900-00-0	Screw-on hinge, 2-part	120 kg	13

Adjustment notes for barrel hinges – GU R 816 3D



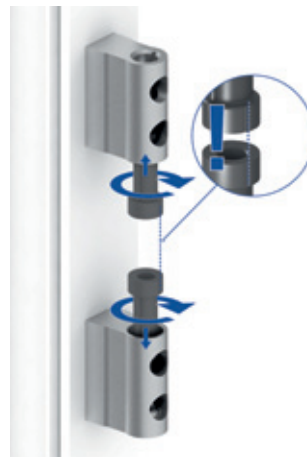
Horizontal adjustment

- 1 Loosen both locking screws
- 2 Turn the adjustment screw in the corresponding direction
- 3 Tighten both locking screws



Vertical adjustment

The vertical height of the leaf can be adjusted with only a few turns.



Gasket pressure adjustment

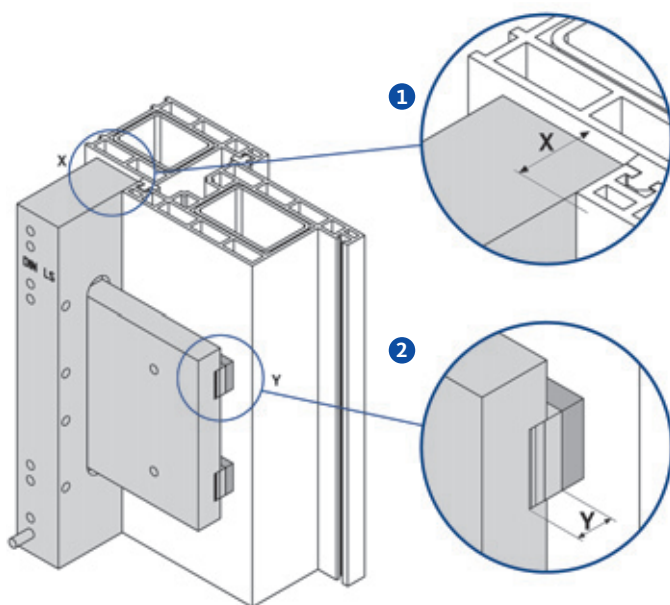
By rotating the maintenance-free bearing bushes on the frame part. Ensure that the two bushes are set the same for each hinge.



Adjustment options for GU R 816 3D

	GU R 816 3D
Gasket pressure adjustment	-1 mm / +0 mm
Horizontal adjustment	+3 mm / -3 mm
Vertical adjustment	+4 mm / -1 mm

Hinge selection criteria / drilling jig settings – GU R 816 3D



1 Hinge selection in accordance with the overlap height X

Check the real overlap height X including the gasket thickness on the PVC system used and select the door hinge.

The order numbers for the overlap height that you require can be found on page 22.

We recommend:

- Up to dimension X = 21 mm
barrel hinge GU R 816 3D for overlap 16-21 mm
- From X > 19 mm
barrel hinge GU R 816 3D for overlap 19-28 mm

2 Optimum setting of drilling jig

To ensure an optimum fit of the hinges set the drilling jig according to the hinge and the corresponding overlap height you have chosen.

We recommend a sample installation to check your setting!

Hinge selection criteria and drilling jig settings

Actual overlap height tested on the profile system [in mm]	Setting of drilling jig (Y) according to drawing [in mm]	
	GU R 816 3D Overlap from 16 mm	GU R 816 3D Overlap from 19 mm
16.5	6.5	-
17	6	-
17.5	5.5	-
18	5	-
18.5	4.5	-
19	4	6.5
19.5	3.5	6
20	3	5.5
20.5	2.5	5
21	2	4.5
21.5	-	4
22	-	3.5
22.5	-	3
23	-	2.5
23.5	-	2
24	-	1.5
24.5	-	1
25	-	0.5
25.5	-	0
26	-	0

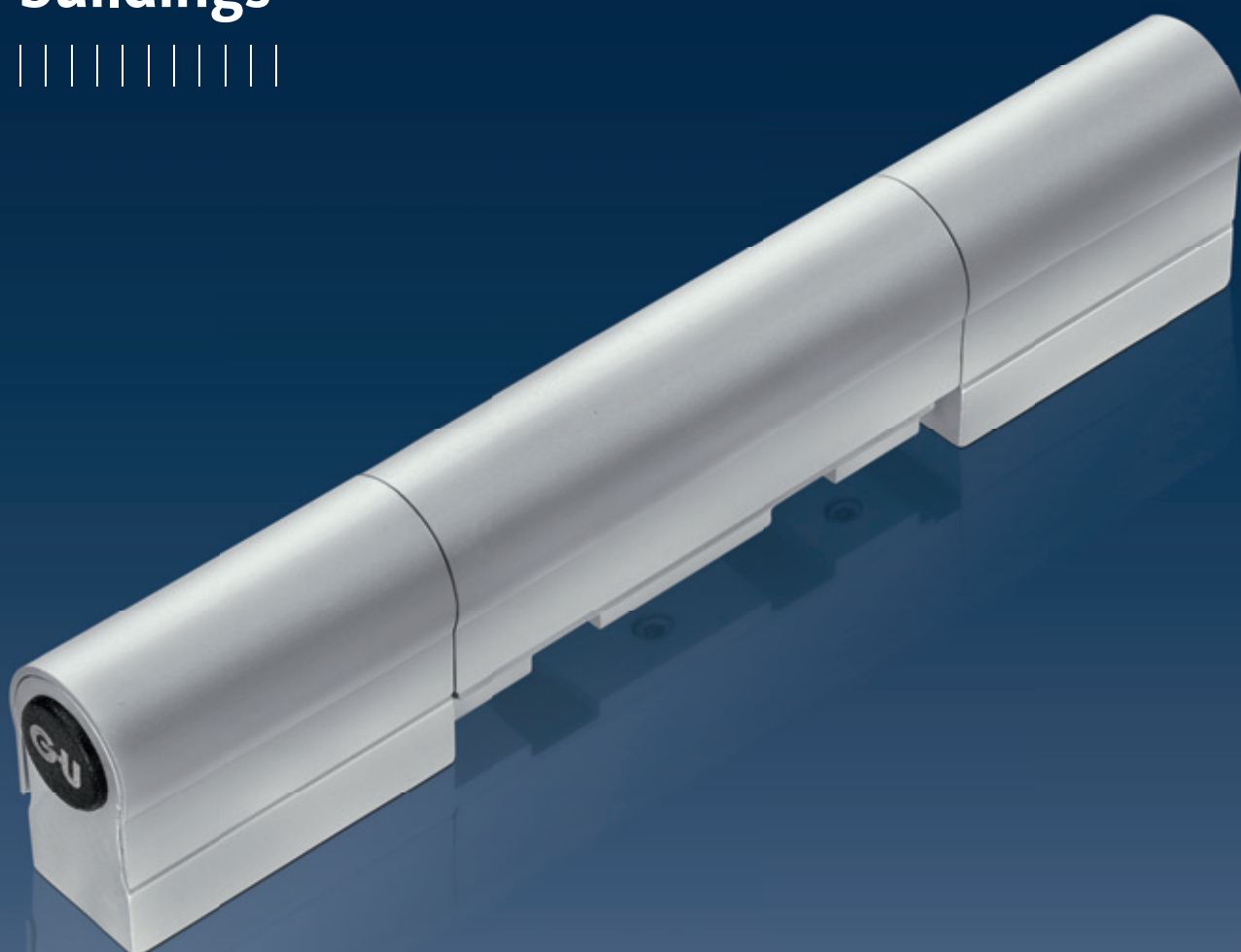


GU R 816 3D – Barrel hinge

up to 160 kg

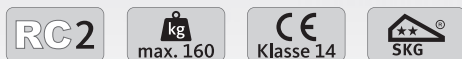


**The barrel hinge
for commercial
and residential
buildings**



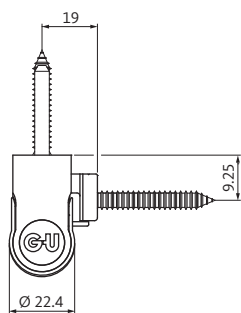
GU R 816 3D – Barrel hinge

up to 160 kg

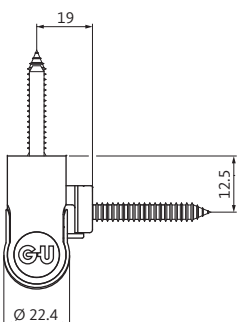


The barrel hinge for commercial and residential buildings

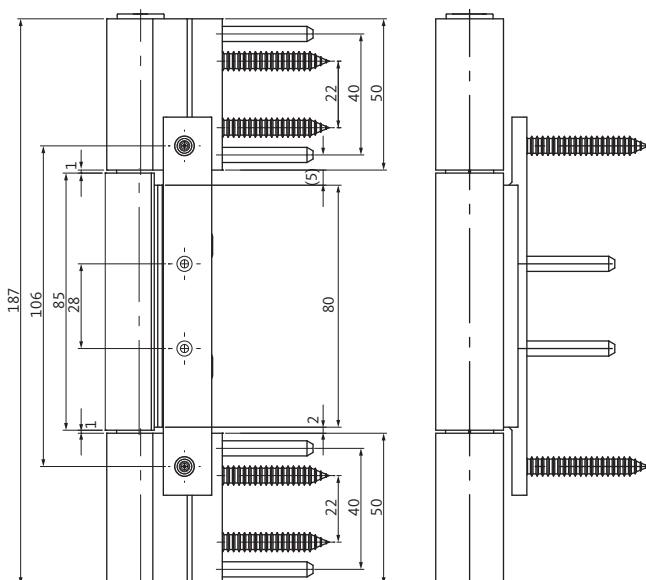
- Slender and round – hinge-roll diameter of only 22 mm – for high-quality PVC doors in commercial and residential buildings
- The hinge pin is proof against being sawn through as standard
- Increased burglar resistance, SKG-certified (two stars)
- CE-certified according to EN 1935 in the highest hinge class, can be used for doors in escape and rescue routes
- Can continuously withstand high loads, tested up to hinge class 14, 160 kg load-bearing capacity
- Direct screwing, the sealing level is not interrupted
- Fixing options with fastening claw without interrupting the sealing plane



Overlap from 16 mm



Overlap from 19 mm



GU R 816 3D – Barrel hinge

up to 160 kg



Product characteristics

- Simple service-friendly one-man-installation
- Can be quickly and conveniently adjusted in three dimensions
- No roll offset following while lateral adjustment
- Hardened security pin
- Optional fixing accessories
- Can withstand loads up to 160 kg, depending on the profile design
- Maintenance-free bearing system

Materials

- Aluminium hinge components
- Pin parts made of corrosion-resistant steel

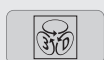
Specifications

- Non-handed, exterior and interior use
- Compatible with many PVC systems

Overlaps

- from 16 mm
- from 19 mm

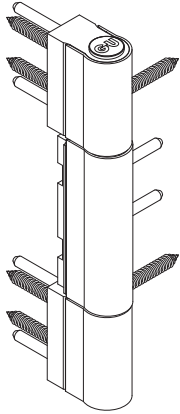
Adjustment options



- Horizontal adjustment:
± 3 mm
- Vertical adjustment:
+ 4 mm / - 1 mm
- Gasket pressure adjustment:
- 1 mm

GU R 816 3D – Barrel hinge

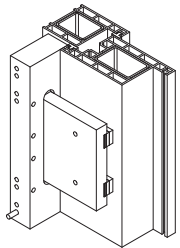
up to 160 kg



GU R 816 3D – Barrel hinge

Overlap X [mm]	Finish	PU	Order number*
16 – 21	EV1 anodised	1	H-01797-00-0-1
	White (RAL 9016)	1	H-01797-00-0-7
	On request*	1	H-01797-00-0-9
19 – 28	EV1 anodised	1	H-01798-00-0-1
	White (RAL 9016)	1	H-01798-00-0-7
	On request*	1	H-01798-00-0-9
16 – 21 and 4° slant	EV1 anodised	1	H-01799-00-0-1
	White (RAL 9016)	1	H-01799-00-0-7
	On request*	1	H-01799-00-0-9
19 – 28 and 4° slant	EV1 anodised	1	H-01800-00-0-1
	White (RAL 9016)	1	H-01800-00-0-7
	On request*	1	H-01800-00-0-9

The hinge selection criteria and recommendation for setting the drilling jig can be found on page 17.
* More finishes available on request.



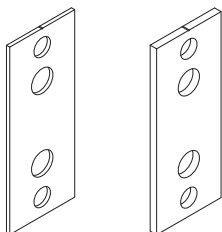
Product-specific accessories: Drilling jig

Designation	PU	Order number
Drilling jig	1	H-01801-00-0-0



Additional accessories: Fastening claw for overlap – leaf part

Designation	Overlap [mm]	PU	Order number
Fastening claw	16 – 21	1	H-01802-00-0-1
	19 – 28	1	H-01807-00-0-1
Plug-in drilling jig for fastening claw		1	H-01803-00-0-0



Additional accessories: Packer plate – frame part

Designation	Thickness [mm]	Finish	PU	Order number
Packer plate	2	Black (RAL 9005)	1	H-01826-02-0-6
		White (RAL 9016)	1	H-01826-02-0-7
	1	Black (RAL 9005)	1	H-01826-01-0-6
		White (RAL 9016)	1	H-01826-01-0-7

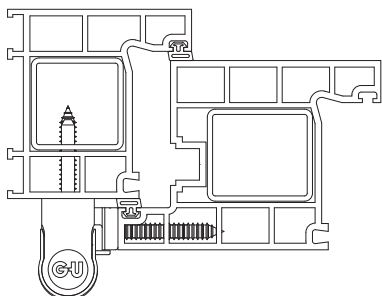


Additional accessories: Cover cap

Designation	Finish	PU	Order number
Cover cap	Black (RAL 9005)	50	H-01806-00-0-6
	White (RAL 9016)	50	H-01806-00-0-7

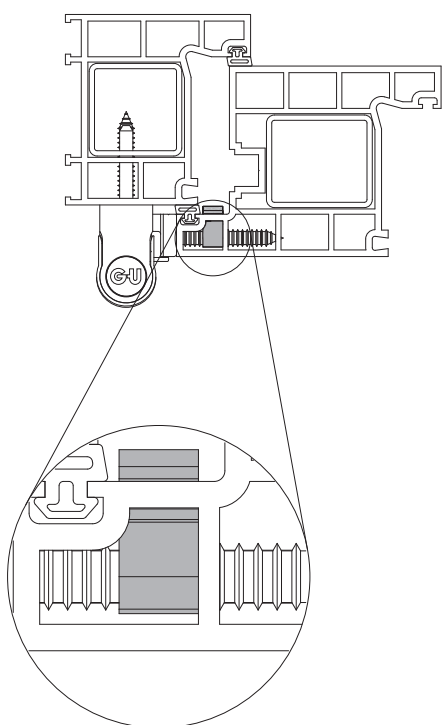
GU R 816 3D – Barrel hinge

up to 160 kg



Standard fixing

- Drilling and screwing, quick hinge installation
- CE-certified to EN 1935 hinge class 14
- SKG-certified



Standard fixing + fastening claw

- Additional security
- The sealing level is not interrupted
- For doors and door hinges with special requirements
- Simple installation

GU Bridge adjustable fastening bush: You can find more detailed information on page 9.



GU G 816 F 100 – Screw-on hinge

up to 160 kg, leaf part width 103 mm



**Can reliably and
continuously with-
stand high loads**



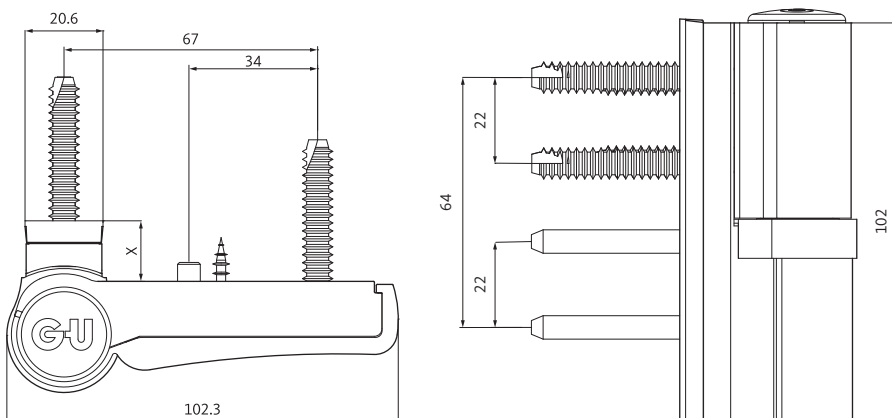
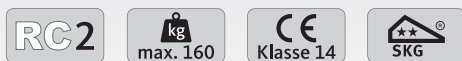
GU G 816 F 100 – Screw-on hinge

up to 160 kg, leaf part width 103 mm



Can reliably and continuously withstand high loads

- Hinge pins made of hardened, corrosion-resistant steel
- The hinge pin is proof against being sawn through as standard
- Increased burglar resistance, SKG-certified (two stars)
- CE-certified according to EN 1935 in the highest hinge class, can be used for doors in escape and rescue routes
- Can continuously withstand high loads, tested up to hinge class 14, 160 kg load-bearing capacity
- Same hole pattern for GU G 816 F 100 and GU 812 F 100
- Fixing options with GU Bridge or additional leaf-part support pins for GU G 816 F 100



GU G 816 F 100 – Screw-on hinge

up to 160 kg, leaf part width 103 mm



Product information

- Simple service-friendly one-man-installation
- 3D adjustment using only one tool, no need to unhinge or support the element
- Simple installation requiring only 1 drill bit size
- Linear horizontal adjustment
- Hardened security pin
- Can withstand loads up to 160 kg, depending on the profile design
- Maintenance-free bearing system

Materials

- Aluminium hinge components
- Pin parts made of corrosion-resistant steel

Specifications

- Non-handed, exterior and interior use
- Leaf part width 103 mm

Overlaps

- 13.5 to 19.5 mm
- 17 to 23 mm
- 22 to 28 mm

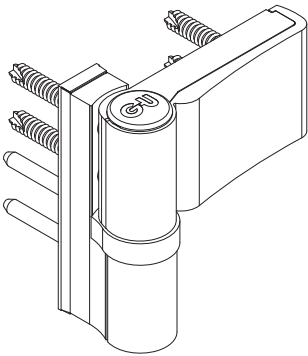
Adjustment options



- Horizontal adjustment:
± 4 mm
- Vertical adjustment:
+ 4 mm / - 1 mm
- Gasket pressure adjustment:
+ 1.5 mm / - 1 mm

GU G 816 F 100 – Screw-on hinge

up to 160 kg, leaf part width 103 mm



GU G 816 F 100 – Screw-on hinge

Overlap X [mm]	Package size	Finish	PU	Order number*
13.5 – 19.5	Individual packing	Silver / EV 1 look	1	H-01408-00-0-1
		Brown (RAL 8019)	1	H-01408-00-0-5
		White (RAL 9016)	1	H-01408-00-0-7
		On request*	1	H-01408-00-0-9
	Industrial packing	Silver / EV 1 look	24	H-01408-24-0-1
		Brown (RAL 8019)	24	H-01408-24-0-5
		White (RAL 9016)	24	H-01408-24-0-7
		On request*	24	H-01408-24-0-9
17 – 23	Individual packing	Silver / EV 1 look	1	H-01409-00-0-1
		Brown (RAL 8019)	1	H-01409-00-0-5
		White (RAL 9016)	1	H-01409-00-0-7
		On request*	1	H-01409-00-0-9
	Industrial packing	Silver / EV 1 look	24	H-01409-24-0-1
		Brown (RAL 8019)	24	H-01409-24-0-5
		White (RAL 9016)	24	H-01409-24-0-7
		On request*	24	H-01409-24-0-9
22 – 28	Individual packing	Silver / EV 1 look	1	H-01410-00-0-1
		Brown (RAL 8019)	1	H-01410-00-0-5
		White (RAL 9016)	1	H-01410-00-0-7
		On request*	1	H-01410-00-0-9
	Industrial packing	Silver / EV 1 look	24	H-01410-24-0-1
		Brown (RAL 8019)	24	H-01410-24-0-5
		White (RAL 9016)	24	H-01410-24-0-7
		On request*	24	H-01410-24-0-9

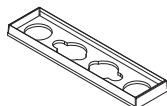
Contents per PU: 1 hinge, 1 base plate, 2 insert plates, 1 set of screws, 1 cover cap, 1 rosette
 * More finishes available on request.

Product-specific accessories

Designation	PU	Order number
Security set for external installation	1	H-01484-00-0-1
Drilling jig	1	H-01407-00-0-0
Drilling jig holder holds 3 of the drilling jigs referred to above	1	H-01467-00-0-0
Stepped drill set for GU Bridge drill hole	1	H-01812-00-0-0

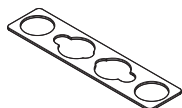
GU G 816 F 100 – Screw-on hinge

up to 160 kg, leaf part width 103 mm



Additional accessories: Base plate

Designation	Height [mm]	Finish	PU	Order number
Base plate	1.5	Black (RAL 9005)	1	H-01479-00-0-6
		White (RAL 9016)	1	H-01479-00-0-7



Additional accessories: Insert plate

Designation	Height [mm]	Finish	PU	Order number
Insert plate	1	Silver / EV 1 look	1	H-01480-00-0-1



Additional accessories: Set of screws

Designation	Finish	PU	Order number
Set of screws	Silver / EV 1 look	1	H-01481-00-0-1

Contents per PU: 4 Coniloc screws, 2 countersunk screws



Additional accessories: Cover cap

Designation	Finish	PU	Order number
Cover cap	Black (RAL 9005)	1	H-01482-00-0-6
	White (RAL 9016)	1	H-01482-00-0-7

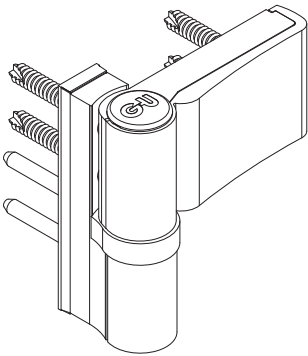


Additional accessories: Rosette

Designation	Finish	PU	Order number
Rosette	Black (RAL 9005)	1	H-01483-00-0-6
	White (RAL 9016)	1	H-01483-00-0-7

GU G 816 F 100 – Screw-on hinge with support pins

up to 160 kg, leaf part width 103 mm



GU G 816 F 100 – Screw-on hinge with support pins

Overlap X [mm]	Package size	Finish	PU	Order number*
13.5 – 19.5	Individual packing	Silver / EV 1 look	1	H-01808-00-0-1
		Brown (RAL 8019)	1	H-01808-00-0-5
		White (RAL 9016)	1	H-01808-00-0-7
		On request*	1	H-01808-00-0-9
	Industrial packing	Silver / EV 1 look	24	H-01808-24-0-1
		Brown (RAL 8019)	24	H-01808-24-0-5
		White (RAL 9016)	24	H-01808-24-0-7
		On request*	24	H-01808-24-0-9
17 – 23	Individual packing	Silver / EV 1 look	1	H-01809-00-0-1
		Brown (RAL 8019)	1	H-01809-00-0-5
		White (RAL 9016)	1	H-01809-00-0-7
		On request*	1	H-01809-00-0-9
	Industrial packing	Silver / EV 1 look	24	H-01809-24-0-1
		Brown (RAL 8019)	24	H-01809-24-0-5
		White (RAL 9016)	24	H-01809-24-0-7
		On request*	24	H-01809-24-0-9
22 – 28	Individual packing	Silver / EV 1 look	1	H-01810-00-0-1
		Brown (RAL 8019)	1	H-01810-00-0-5
		White (RAL 9016)	1	H-01810-00-0-7
		On request*	1	H-01810-00-0-9
	Industrial packing	Silver / EV 1 look	24	H-01810-24-0-1
		Brown (RAL 8019)	24	H-01810-24-0-5
		White (RAL 9016)	24	H-01810-24-0-7
		On request*	24	H-01810-24-0-9

Contents per PU: 1 hinge, 1 base plate, 2 insert plates, 1 set of screws, 1 cover cap, 1 rosette

* More finishes available on request.

Product-specific accessories

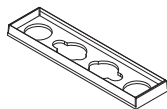
Designation	PU	Order number
Security set for external installation	1	H-01484-00-0-1
Drilling jig	1	H-01407-00-0-0
Drilling jig holder holds 3 of the drilling jigs referred to above	1	H-01467-00-0-0
Drilling jig for GU G 816 F 100 support pins	1	H-01811-00-0-0
Stepped drill set for GU Bridge drill hole	1	H-01812-00-0-0

GU Bridge adjustable fastening bush: You can find more detailed information on page 9.

Support pins: You can find more detailed information on page 11.

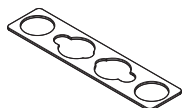
GU G 816 F 100 – Screw-on hinge with support pins

up to 160 kg, leaf part width 103 mm



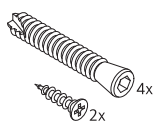
Additional accessories: Base plate

Designation	Height [mm]	Finish	PU	Order number
Base plate	1.5	Black (RAL 9005)	1	H-01479-00-0-6
		White (RAL 9016)	1	H-01479-00-0-7



Additional accessories: Insert plate

Designation	Height [mm]	Finish	PU	Order number
Insert plate	1	Silver / EV 1 look	1	H-01480-00-0-1



Additional accessories: Set of screws

Designation	Finish	PU	Order number
Set of screws	Silver / EV 1 look	1	H-01481-00-0-1

Contents per PU: 4 Coniloc screws, 2 countersunk screws



Additional accessories: Cover cap

Designation	Finish	PU	Order number
Cover cap	Black (RAL 9005)	1	H-01482-00-0-6
	White (RAL 9016)	1	H-01482-00-0-7



Additional accessories: Rosette

Designation	Finish	PU	Order number
Rosette	Black (RAL 9005)	1	H-01483-00-0-6
	White (RAL 9016)	1	H-01483-00-0-7

GU Bridge adjustable fastening bush: You can find more detailed information on page 9.

Support pins: You can find more detailed information on page 11.

GU G 812 F 100 – Screw-on hinge

up to 120 kg, leaf part width 103 mm



Product information

- Simple service-friendly one-man-installation
- 3D adjustment using only one tool, no need to unhinge or support the element
- Simple installation requiring only 1 drill bit size
- Linear horizontal adjustment
- Hardened security pin
- Can withstand loads up to 120 kg, depending on the profile design
- Maintenance-free bearing system

Materials

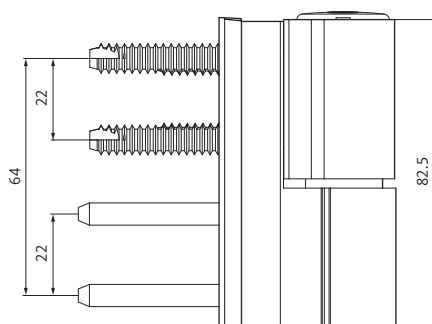
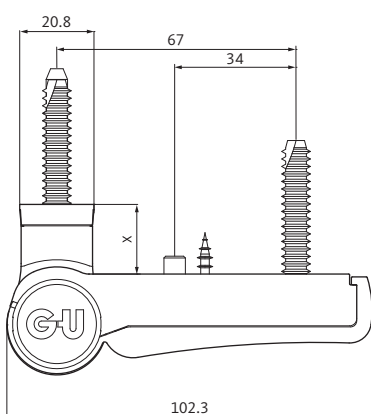
- Aluminium hinge components
- Pin parts made of corrosion-resistant steel

Specifications

- Non-handed, exterior and interior use
- Leaf part width 103 mm

Overlaps

- 13.5 to 19.5 mm
- 17 to 23 mm
- 22 to 28 mm



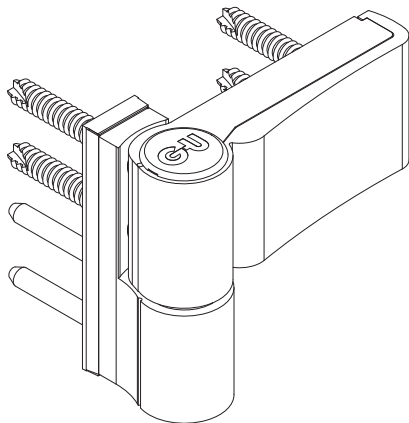
Adjustment options



- Horizontal adjustment: ± 4 mm
- Vertical adjustment: $+ 4$ mm / $- 1$ mm
- Gasket pressure adjustment: $+ 1.5$ mm / $- 1$ mm

GU G 812 F 100 – Screw-on hinge

up to 120 kg, leaf part width 103 mm



GU G 812 F 100 – Screw-on hinge

Overlap X [mm]	Package size	Finish	PU	Order number*
13.5 – 19.5	Individual packing	Silver / EV 1 look	1	H-01404-00-0-1
		Brown (RAL 8019)	1	H-01404-00-0-5
		White (RAL 9016)	1	H-01404-00-0-7
		On request*	1	H-01404-00-0-9
	Industrial packing	Silver / EV 1 look	24	H-01404-24-0-1
		Brown (RAL 8019)	24	H-01404-24-0-5
		White (RAL 9016)	24	H-01404-24-0-7
		On request*	24	H-01404-24-0-9
17 – 23	Individual packing	Silver / EV 1 look	1	H-01405-00-0-1
		Brown (RAL 8019)	1	H-01405-00-0-5
		White (RAL 9016)	1	H-01405-00-0-7
		On request*	1	H-01405-00-0-9
	Industrial packing	Silver / EV 1 look	24	H-01405-24-0-1
		Brown (RAL 8019)	24	H-01405-24-0-5
		White (RAL 9016)	24	H-01405-24-0-7
		On request*	24	H-01405-24-0-9
22 – 28	Individual packing	Silver / EV 1 look	1	H-01406-00-0-1
		Brown (RAL 8019)	1	H-01406-00-0-5
		White (RAL 9016)	1	H-01406-00-0-7
		On request*	1	H-01406-00-0-9
	Industrial packing	Silver / EV 1 look	24	H-01406-24-0-1
		Brown (RAL 8019)	24	H-01406-24-0-5
		White (RAL 9016)	24	H-01406-24-0-7
		On request*	24	H-01406-24-0-9

Contents per PU: 1 hinge, 1 base plate, 2 insert plates, 1 set of screws, 1 cover cap

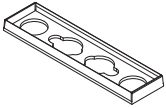
* More finishes available on request.

Product-specific accessories

Designation	PU	Order number
Security set for external installation	1	H-01484-00-0-1
Drilling jig	1	H-01407-00-0-0
Drilling jig holder holds 3 of the drilling jigs referred to above	1	H-01467-00-0-0
Stepped drill set for GU Bridge drill hole	1	H-01812-00-0-0

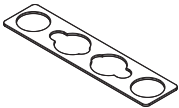
GU G 812 F 100 – Screw-on hinge

up to 120 kg, leaf part width 103 mm



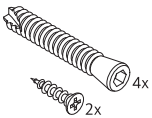
Additional accessories: Base plate

Designation	Height [mm]	Finish	PU	Order number
Base plate	1.5	Black (RAL 9005)	1	H-01485-00-0-6
		White (RAL 9016)	1	H-01485-00-0-7



Additional accessories: Insert plate

Designation	Height [mm]	Finish	PU	Order number
Insert plate	1	Silver / EV 1 look	1	H-01486-00-0-1



Additional accessories: Set of screws

Designation	Finish	PU	Order number
Set of screws	Silver / EV 1 look	1	H-01481-00-0-1

Contents per PU: 4 Conilock screws, 2 countersunk screws



Additional accessories: Cover cap

Designation	Finish	PU	Order number
Cover cap	Black (RAL 9005)	1	H-01487-00-0-6
	White (RAL 9016)	1	H-01487-00-0-7



GU W 716 3D – Screw-on hinge

up to 160 kg, leaf part width 115 mm



Product information

- CE-certified according to EN 1935 in the hinge class 14, 160 kg load-bearing capacity, depending on the profile version
- Simple service-friendly one-man-installation
- 3 D adjustment without having to unhinge or support the door element
- Simple installation requiring only 1 drill bit size
- Maintenance-free bearing system

Materials

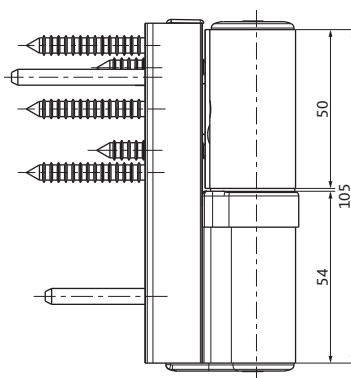
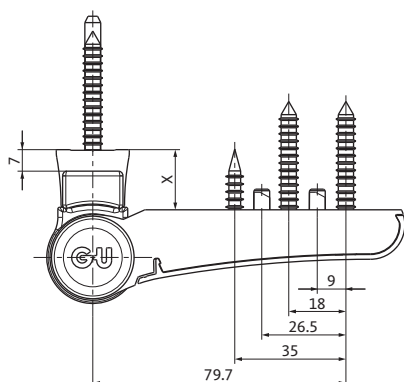
- Aluminium hinge components
- Pin parts made of corrosion-resistant steel

Specifications

- Non-handed, exterior and interior use
- Leaf part width 115 mm

Overlaps

- 16 to 22 mm
- 19 to 25 mm



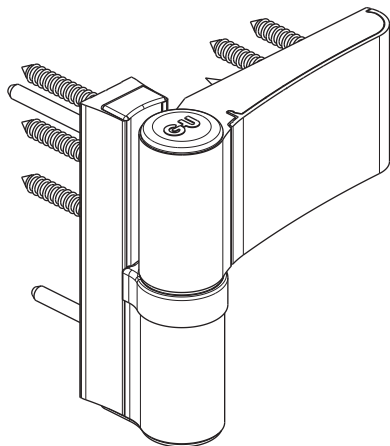
Adjustment options



- Horizontal adjustment: ± 5 mm
- Vertical adjustment: $+ 5$ mm / $- 2$ mm
- Gasket pressure adjustment: ± 3 mm

GU W 716 3D – Screw-on hinge

up to 160 kg, leaf part width 115 mm



GU G 716 3D – Screw-on hinge

Overlap X [mm]	Package size	Finish	PU	Order number*
16 – 22	Individual packing	Silver / EV 1 look	1	H-01904-00-0-1
		Gold EV3	1	H-01904-00-0-3
		Gold (RAL 1036)	1	H-01904-00-0-3S
		Brown (RAL 8019)	1	H-01904-00-0-5J
		White (RAL 9016)	1	H-01904-00-0-7
		Stainless steel look	1	H-01904-00-0-8S
		On request*	1	H-01904-00-0-9
	Industrial packing	Silver / EV 1 look	15	H-01904-15-0-1
		Gold EV3	15	H-01904-15-0-3
		Gold (RAL 1036)	15	H-01904-15-0-3S
		Brown (RAL 8019)	15	H-01904-15-0-5J
		White (RAL 9016)	15	H-01904-15-0-7
		Stainless steel look	15	H-01904-15-0-8S
		On request*	15	H-01904-15-0-9
19 – 25	Individual packing	Silver / EV 1 look	1	H-01905-00-0-1
		Gold EV3	1	H-01905-00-0-3
		Gold (RAL 1036)	1	H-01905-00-0-3S
		Brown (RAL 8019)	1	H-01905-00-0-5J
		White (RAL 9016)	1	H-01905-00-0-7
		Stainless steel look	1	H-01905-00-0-8S
		On request*	1	H-01905-00-0-9
	Industrial packing	Silver / EV 1 look	15	H-01905-15-0-1
		Gold EV3	15	H-01905-15-0-3
		Gold (RAL 1036)	15	H-01905-15-0-3S
		Brown (RAL 8019)	15	H-01905-15-0-5J
		White (RAL 9016)	15	H-01905-15-0-7
		Stainless steel look	15	H-01905-15-0-8S
		On request*	15	H-01905-15-0-9

* More finishes available on request.

Product-specific accessories

Designation	PU	Order number
Drilling jig GU W 716 3D	1	H-01903-00-0-0
Drilling jig GU W 716 3D with clamping	1	H-01903-01-0-0
Series drilling jig GU W 716 3D	1	H-01907-00-0-0
Series drilling jig GU W 716 3D with clamping	1	H-01907-01-0-0

GU W 712 3D – Screw-on hinge

up to 120 kg, leaf part width 105 mm



Product information

- CE-certified according to EN 1935 in the hinge class 13, 120 kg load-bearing capacity, depending on the profile version
- Simple service-friendly one-man-installation
- 3 D adjustment without having to unhinge or support the door element
- Simple installation requiring only 1 drill bit size
- Maintenance-free bearing system

Materials

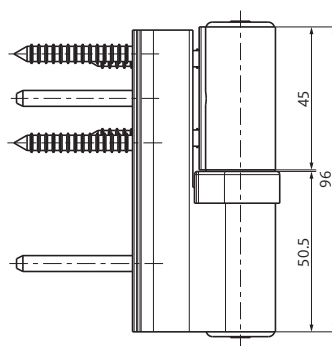
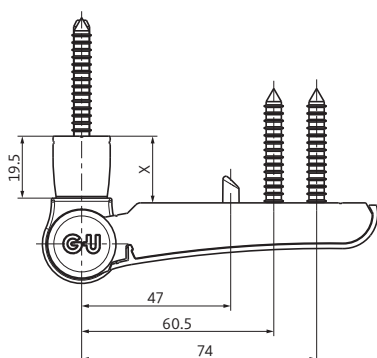
- Aluminium hinge components
- Pin parts made of corrosion-resistant steel

Specifications

- Non-handed, exterior and interior use
- Leaf part width 105 mm

Overlaps

- 16 to 22 mm
- 19 to 25 mm



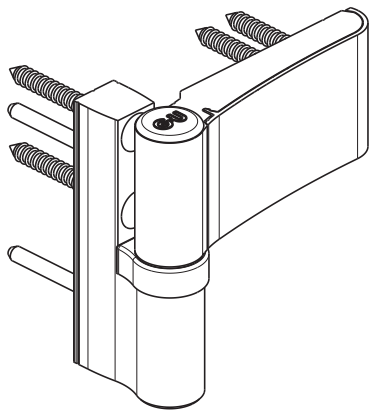
Adjustment options



- Horizontal adjustment: ± 5 mm
- Vertical adjustment: $+ 5$ mm / $- 1.5$ mm
- Gasket pressure adjustment: ± 3 mm

GU W 712 3D – Screw-on hinge

up to 120 kg, leaf part width 105 mm



GU G 712 3D – Screw-on hinge

Overlap X [mm]	Package size	Finish	PU	Order number*
16 – 22	Individual packing	Silver / EV 1 look	1	H-01900-00-0-1
		Gold EV3	1	H-01900-00-0-3
		Gold (RAL 1036)	1	H-01900-00-0-3P
		Brown (RAL 8019)	1	H-01900-00-0-5J
		White (RAL 9016)	1	H-01900-00-0-7
		Stainless steel look	1	H-01900-00-0-8S
		On request*	1	H-01900-00-0-9
	Industrial packing	Silver / EV 1 look	15	H-01900-15-0-1
		Gold EV3	15	H-01900-15-0-3
		Gold (RAL 1036)	15	H-01900-15-0-3P
		Brown (RAL 8019)	15	H-01900-15-0-5J
		White (RAL 9016)	15	H-01900-15-0-7
		Stainless steel look	15	H-01900-15-0-8S
		On request*	15	H-01900-15-0-9
19 – 25	Individual packing	Silver / EV 1 look	1	H-01901-00-0-1
		Gold EV3	1	H-01901-00-0-3
		Gold (RAL 1036)	1	H-01901-00-0-3P
		Brown (RAL 8019)	1	H-01901-00-0-5J
		White (RAL 9016)	1	H-01901-00-0-7
		Stainless steel look	1	H-01901-00-0-8S
		On request*	1	H-01901-00-0-9
	Industrial packing	Silver / EV 1 look	15	H-01901-15-0-1
		Gold EV3	15	H-01901-15-0-3
		Gold (RAL 1036)	15	H-01901-15-0-3P
		Brown (RAL 8019)	15	H-01901-15-0-5J
		White (RAL 9016)	15	H-01901-15-0-7
		Stainless steel look	15	H-01901-15-0-8S
		On request*	15	H-01901-15-0-9

* More finishes available on request.

Product-specific accessories

Designation	PU	Order number
Drilling jig GU W 712 3D	1	H-01902-00-0-0
Drilling jig GU W 712 3D with clamping	1	H-01902-01-0-0
Series drilling jig GU W 712 3D	1	H-01906-00-0-0
Series drilling jig GU W 712 3D with clamping	1	H-01906-01-0-0

GU G 810 F 85 – Screw-on hinge

up to 100 kg, leaf part width 85 mm



Product information

- Simple service-friendly one-man-installation
- 3D adjustment using only one tool, no need to unhinge or support the element
- Simple installation requiring only 1 drill bit size
- Linear horizontal adjustment
- Hardened security pin
- Can withstand loads up to 100 kg, depending on the profile design
- Maintenance-free bearing system

Materials

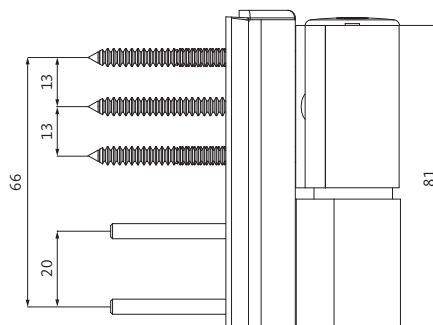
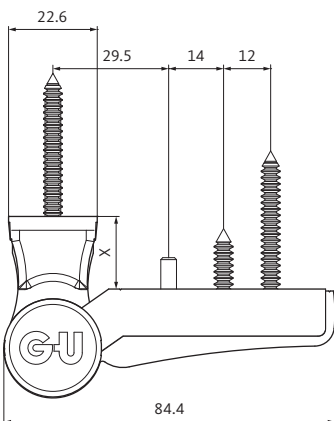
- Aluminium hinge components
- Pin parts made of corrosion-resistant steel

Specifications

- Non-handed, exterior and interior use
- Leaf part width 85 mm

Overlaps

- 14 to 16.5 mm
- 16 to 22 mm



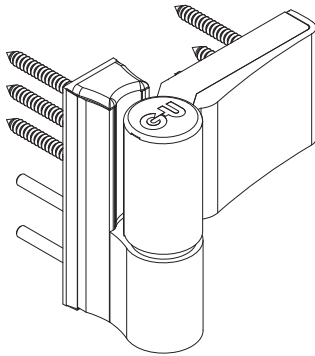
Adjustment options



- Horizontal adjustment: ± 5 mm
- Vertical adjustment: $+ 4$ mm / $- 1$ mm
- Gasket pressure adjustment: $+ 1.5$ mm / $- 1$ mm

GU G 810 F 85 – Screw-on hinge

up to 100 kg, leaf part width 85 mm



GU G 810 F 85 – Screw-on hinge

Overlap X [mm]	Package size	Finish	PU	Order number*
14 – 16.5	Individual packing	Silver / EV 1 look	1	H-01401-00-0-1
		Brown (RAL 8019)	1	H-01401-00-0-5
		White (RAL 9016)	1	H-01401-00-0-7
		On request*	1	H-01401-00-0-9
	Industrial packing	Silver / EV 1 look	24	H-01401-24-0-1
		Brown (RAL 8019)	24	H-01401-24-0-5
		White (RAL 9016)	24	H-01401-24-0-7
		On request*	24	H-01401-24-0-9
16 – 22	Individual packing	Silver / EV 1 look	1	H-01402-00-0-1
		Brown (RAL 8019)	1	H-01402-00-0-5
		White (RAL 9016)	1	H-01402-00-0-7
		On request*	1	H-01402-00-0-9
	Industrial packing	Silver / EV 1 look	24	H-01402-24-0-1
		Brown (RAL 8019)	24	H-01402-24-0-5
		White (RAL 9016)	24	H-01402-24-0-7
		On request*	24	H-01402-24-0-9

Contents per PU: 1 hinge, 1 base plate, 2 insert plates, 1 set of screws, 1 cover cap

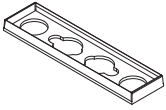
* More finishes available on request.

Product-specific accessories

Designation	PU	Order number
Drilling jig	1	H-01403-00-0-0
Drilling jig holder holds 3 of the drilling jigs referred to above	1	H-01467-00-0-0

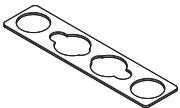
GU G 810 F 85 – Screw-on hinge

up to 100 kg, leaf part width 85 mm



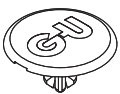
Additional accessories: Base plate

Designation	Height [mm]	Finish	PU	Order number
Base plate	1.5	Black (RAL 9005)	1	H-01488-00-0-6
		White (RAL 9016)	1	H-01488-00-0-7



Additional accessories: Insert plate

Designation	Height [mm]	Finish	PU	Order number
Insert plate	1	Silver / EV 1 look	1	H-01489-00-0-1



Additional accessories: Cover cap

Designation	Finish	PU	Order number
Cover cap	Black (RAL 9005)	1	H-01487-00-0-6
	White (RAL 9016)	1	H-01487-00-0-7



GU G 810 F 100 S – Screw-on hinge

up to 100 kg, leaf part width 100 mm, frame part base plate 16 mm



Product information

- Simple service-friendly one-man-installation
- 3D adjustment using only one tool, no need to unhinge or support the element
- Simple installation requiring only 1 drill bit size
- Linear horizontal adjustment
- Hardened security pin
- Can withstand loads up to 100 kg, depending on the profile design
- Maintenance-free bearing system

Materials

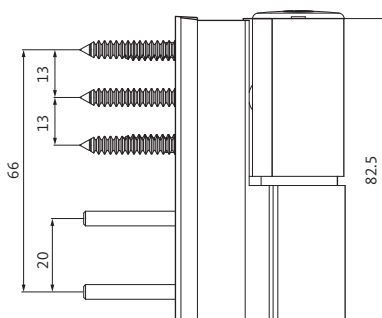
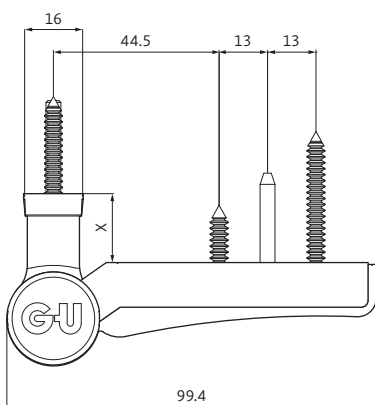
- Aluminium hinge components
- Pin parts made of corrosion-resistant steel

Specifications

- Non-handed, exterior and interior use
- Leaf part width 100 mm

Overlaps

- 16 to 22 mm
- 19 to 25 mm



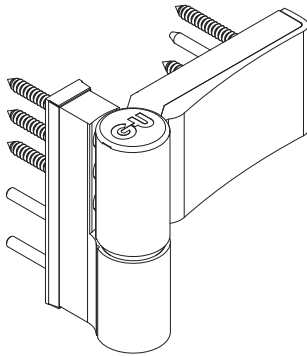
Adjustment options



- Horizontal adjustment: ± 5 mm
- Vertical adjustment: $+ 4$ mm / $- 1$ mm
- Gasket pressure adjustment: $+ 1.5$ mm / $- 1$ mm

GU G 810 F 100 S – Screw-on hinge

up to 100 kg, leaf part width 100 mm, frame part base plate 16 mm



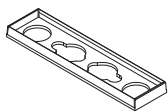
GU G 810 F 100 S – Screw-on hinge

Overlap X [mm]	Package size	Finish	PU	Order number*
16 – 22	Individual packing	Silver / EV 1 look	1	H-01411-00-0-1
		Brown (RAL 8019)	1	H-01411-00-0-5
		White (RAL 9016)	1	H-01411-00-0-7
		On request*	1	H-01411-00-0-9
	Industrial packing	Silver / EV 1 look	24	H-01411-24-0-1
		Brown (RAL 8019)	24	H-01411-24-0-5
		White (RAL 9016)	24	H-01411-24-0-7
		On request*	24	H-01411-24-0-9
19 – 25	Individual packing	Silver / EV 1 look	1	H-01520-00-0-1
		Brown (RAL 8019)	1	H-01520-00-0-5
		White (RAL 9016)	1	H-01520-00-0-7
		On request*	1	H-01520-00-0-9
	Industrial packing	Silver / EV 1 look	24	H-01520-24-0-1
		Brown (RAL 8019)	24	H-01520-24-0-5
		White (RAL 9016)	24	H-01520-24-0-7
		On request*	24	H-01520-24-0-9

Contents per PU: 1 hinge, 1 base plate, 2 insert plates, 1 set of screws, 1 cover cap
 * More finishes available on request.

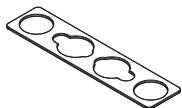
Product-specific accessories: Drilling jig

Designation	PU	Order number
Drilling jig	1	H-01400-00-0-0
Drilling jig holder holds 3 of the drilling jigs referred to above	1	H-01467-00-0-0



Additional accessories: Base plate

Designation	Height [mm]	Finish	PU	Order number
Base plate	1.5	Black (RAL 9005)	1	H-01490-00-0-6
		White (RAL 9016)	1	H-01490-00-0-7



Additional accessories: Insert plate

Designation	Height [mm]	Finish	PU	Order number
Insert plate	1	Silver / EV 1 look	1	H-01491-00-0-1



Additional accessories: Cover cap

Designation	Finish	PU	Order number
Cover cap	Black (RAL 9005)	1	H-01487-00-0-6
	White (RAL 9016)	1	H-01487-00-0-7

GU G 810 F 85 S – Screw-on hinge

up to 100 kg, leaf part width 85 mm, frame part base plate 16 mm



Product information

- Simple service-friendly one-man-installation
- 3D adjustment using only one tool, no need to unhinge or support the element
- Simple installation requiring only 1 drill bit size
- Linear horizontal adjustment
- Hardened security pin
- Can withstand loads up to 100 kg, depending on the profile design
- Maintenance-free bearing system

Materials

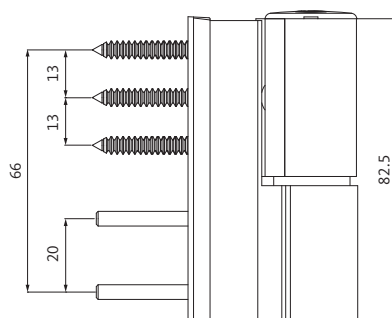
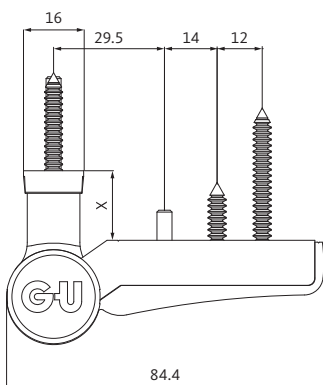
- Aluminium hinge components
- Pin parts made of corrosion-resistant steel

Specifications

- Non-handed, exterior and interior use
- Leaf part width 85 mm

Overlaps

- 16 to 22 mm
- 19 to 25 mm



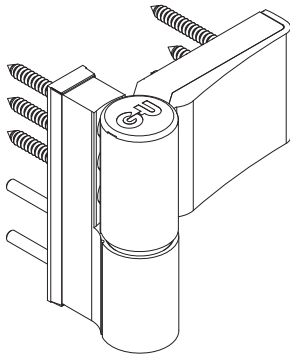
Adjustment options



- Horizontal adjustment: ± 5 mm
- Vertical adjustment: $+ 4$ mm / $- 1$ mm
- Gasket pressure adjustment: $+ 1.5$ mm / $- 1$ mm

GU G 810 F 85 S – Screw-on hinge

up to 100 kg, leaf part width 85 mm, frame part base plate 16 mm



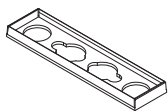
GU G 810 F 85 S – Screw-on hinge

Overlap X [mm]	Package size	Finish	PU	Order number*
16 – 22	Individual packing	Silver / EV 1 look	1	H-01412-00-0-1
		Brown (RAL 8019)	1	H-01412-00-0-5
		White (RAL 9016)	1	H-01412-00-0-7
		On request*	1	H-01412-00-0-9
	Industrial packing	Silver / EV 1 look	24	H-01412-24-0-1
		Brown (RAL 8019)	24	H-01412-24-0-5
		White (RAL 9016)	24	H-01412-24-0-7
		On request*	24	H-01412-24-0-9
19 – 25	Individual packing	Silver / EV 1 look	1	H-01519-00-0-1
		Brown (RAL 8019)	1	H-01519-00-0-5
		White (RAL 9016)	1	H-01519-00-0-7
		On request*	1	H-01519-00-0-9
	Industrial packing	Silver / EV 1 look	24	H-01519-24-0-1
		Brown (RAL 8019)	24	H-01519-24-0-5
		White (RAL 9016)	24	H-01519-24-0-7
		On request*	24	H-01519-24-0-9

Contents per PU: 1 hinge, 1 base plate, 2 insert plates, 1 set of screws, 1 cover cap
 * More finishes available on request.

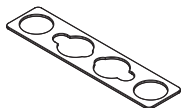
Product-specific accessories: Drilling jig

Designation	PU	Order number
Drilling jig	1	H-01403-00-0-0
Drilling jig holder holds 3 of the drilling jigs referred to above	1	H-01467-00-0-0



Additional accessories: Base plate

Designation	Height [mm]	Finish	PU	Order number
Base plate	1.5	Black (RAL 9005)	1	H-01490-00-0-6
		White (RAL 9016)	1	H-01490-00-0-7



Additional accessories: Insert plate

Designation	Height [mm]	Finish	PU	Order number
Insert plate	1	Silver / EV 1 look	1	H-01491-00-0-1



Additional accessories: Cover cap

Designation	Finish	PU	Order number
Cover cap	Black (RAL 9005)	1	H-01487-00-0-6
	White (RAL 9016)	1	H-01487-00-0-7

GU R 712 – Barrel hinge

up to 120 kg for Side-Hung, Bottom-Hung and Top-Hung elements



Product information

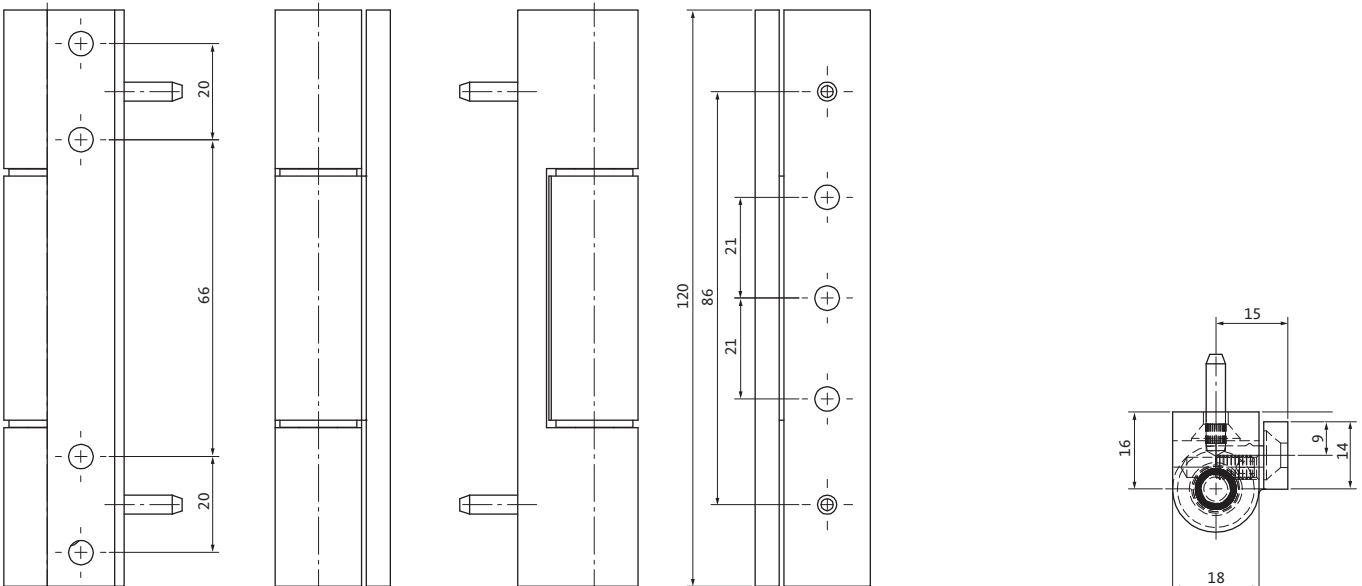
- Barrel hinge for Bottom-Hung, Top-Hung and Side-Hung elements
- Can withstand loads up to 120 kg, depending on the profile design
- Optionally with vertical adjustment ± 2 mm
- With secured pins as standard
- Maintenance-free bearing system

Materials

- Aluminium hinge components
- Axle pin made of corrosion-resistant steel

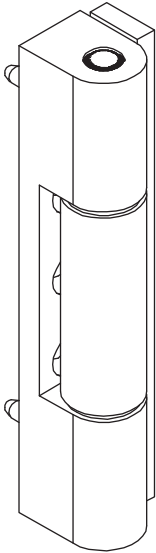
Specifications

- Non-handed, exterior and interior use



GU R 712 – Barrel hinge

up to 120 kg for Side-Hung, Bottom-Hung and Top-Hung elements



GU R 712 – Barrel hinge

Designation	Finish	PU	Order number
GU R 712 Barrel hinge	Silver / EV 1 look	20	H-01762-00-0-1
	Brown (RAL 8019)	20	H-01762-00-0-5
	White (RAL 9016)	20	H-01762-00-0-7
GU R 712 Barrel hinge, vertically-adjustable	Silver / EV 1 look	20	H-01762-01-0-1
	Brown (RAL 8019)	20	H-01762-01-0-5
	White (RAL 9016)	20	H-01762-01-0-7

Product-specific accessories: Drilling jig

Designation	PU	Order number
Drilling jig	1	H-01774-00-0-0

Barrel hinges made of aluminium

up to 60 kg for Side-Hung, Bottom-Hung and Top-Hung elements



 max. 60

Product information

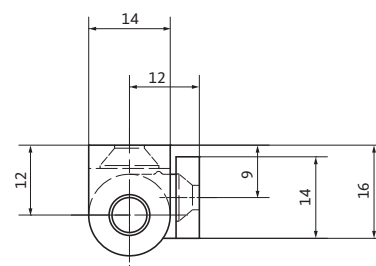
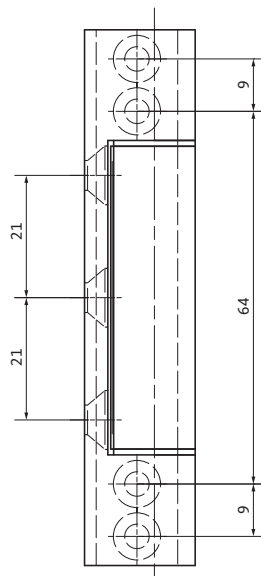
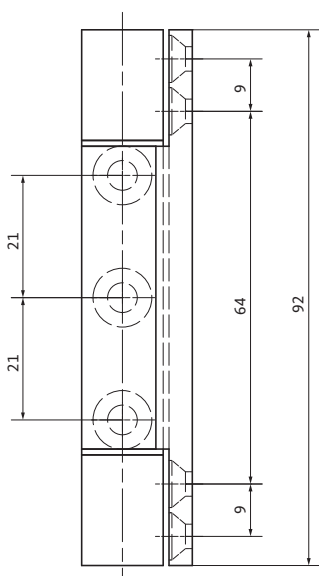
- Can withstand loads up to 60 kg, when using three hinges
- Optional lateral adjustment ± 2 mm
- Can be installed on elements made of PVC and timber
- Maintenance-free bearing system

Materials

- Aluminium hinge components
- Axle pin made of stainless steel

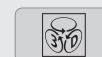
Specifications

- Non-handed
- With horizontal adjustment: ± 2 mm



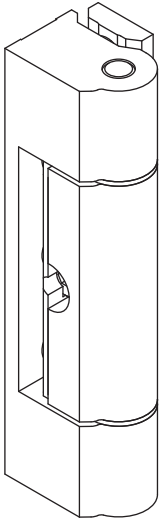
Adjustment options

- Horizontal adjustment: ± 2 mm



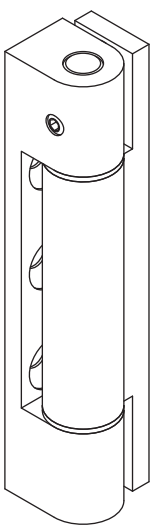
Barrel hinges made of aluminium

up to 60 kg for Side-Hung, Bottom-Hung and Top-Hung elements



Barrel hinges made of aluminium

Designation	Finish	PU	Order number
Side-Hung hinge F 94, adjustable	Silver / EV 1 look	20	H-01138-00-0-1



Barrel hinges made of aluminium

Designation	Finish	PU	Order number
Side-Hung hinge F 92, with secured pins	Silver / EV 1 look	20	H-01138-01-0-1
	Brown (RAL 8019)	20	H-01138-01-0-5
	White (RAL 9016)	20	H-01138-01-0-7

GU F 110 – Screw-on hinge

up to 100 kg, leaf part width 110 mm



max. 100

Product information

- Simple service-friendly one-man-installation
- 3D adjustment using only one tool, no need to unhinge or support the element
- Simple installation requiring only 1 drill bit size
- Linear horizontal adjustment
- Can withstand loads up to 100 kg, depending on the profile design
- Maintenance-free bearing system

Materials

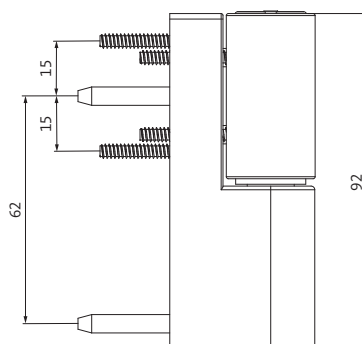
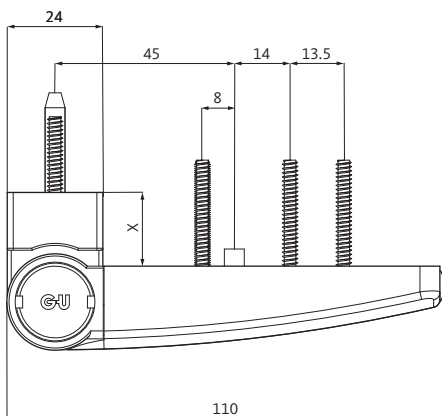
- Pin parts made of corrosion-resistant steel

Specifications

- Non-handed
- Leaf part width 110 mm

Overlaps

- 12.5 to 16 mm
- 16 to 19.5 mm
- 19.5 to 22 mm
- 22 to 25.5 mm



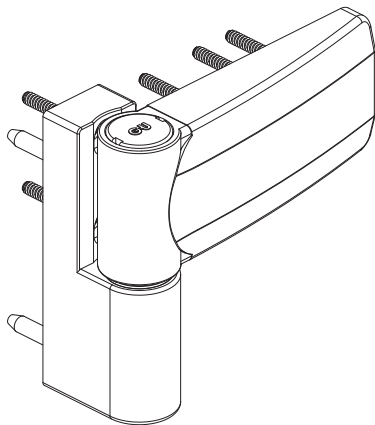
Adjustment options



- Horizontal adjustment: + 10 mm / - 5 mm
- Vertical adjustment: + 1.75 mm
- Gasket pressure adjustment + 1,5 mm

GU F 110 – Screw-on hinge

up to 100 kg, leaf part width 110 mm



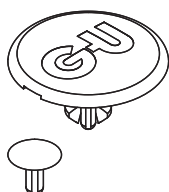
GU F 110 – Screw-on hinge

Overlap X [mm]	Package size	Finish	PU	Order number*
12.5 – 16	Individual packing	Aluminium colour	50	H-01337-11-0-15
		Brown (RAL 8019)	50	H-01337-11-0-5
		White (RAL 9016)	50	H-01337-11-0-7
		On request*	50	H-01337-11-0-9
	Industrial packing	Aluminium colour	24	H-01341-11-0-15
		Brown (RAL 8019)	24	H-01341-11-0-5
		White (RAL 9016)	24	H-01341-11-0-7
		On request*	24	H-01341-11-0-9
16 – 19.5	Individual packing	Aluminium colour	50	H-01338-11-0-15
		Brown (RAL 8019)	50	H-01338-11-0-5
		White (RAL 9016)	50	H-01338-11-0-7
		On request*	50	H-01338-11-0-9
	Industrial packing	Aluminium colour	24	H-01342-11-0-15
		Brown (RAL 8019)	24	H-01342-11-0-5
		White (RAL 9016)	24	H-01342-11-0-7
		On request*	24	H-01342-11-0-9
19.5 – 22	Individual packing	Aluminium colour	50	H-01339-11-0-15
		Brown (RAL 8019)	50	H-01339-11-0-5
		White (RAL 9016)	50	H-01339-11-0-7
		On request*	50	H-01339-11-0-9
	Industrial packing	Aluminium colour	24	H-01343-11-0-15
		Brown (RAL 8019)	24	H-01343-11-0-5
		White (RAL 9016)	24	H-01343-11-0-7
		On request*	24	H-01343-11-0-9
22 – 25.5	Individual packing	Aluminium colour	50	H-01340-11-0-15
		Brown (RAL 8019)	50	H-01340-11-0-5
		White (RAL 9016)	50	H-01340-11-0-7
		On request*	50	H-01340-11-0-9
	Industrial packing	Aluminium colour	24	H-01344-11-0-15
		Brown (RAL 8019)	24	H-01344-11-0-5
		White (RAL 9016)	24	H-01344-11-0-7
		On request*	24	H-01344-11-0-9

Contents per PU: 1 hinge, 1 set of screws, 1 cover cap, 1 small cover cap
 * More finishes available on request.

Product-specific accessories: Drilling jig

Designation	PU	Order number
Drilling jig	1	H-00311-00-0-0



Additional accessories: Cover cap

Designation	Finish	PU	Order number
Cover cap	Black (RAL 9005)	50	H-01345-00-0-6
	White (RAL 9016)	50	H-01345-00-0-7
Cover cap, small	Black (RAL 9005)	50	H-01346-00-0-6
	White (RAL 9016)	50	H-01346-00-0-7

GU F 90 – Screw-on hinge

up to 80 kg, leaf part width 90 mm



Product information

- Simple service-friendly one-man-installation
- 3D adjustment using only one tool, no need to unhinge or support the element
- Simple installation requiring only 1 drill bit size
- Linear horizontal adjustment
- Can withstand loads up to 80 kg, depending on the profile design
- Maintenance-free bearing system

Materials

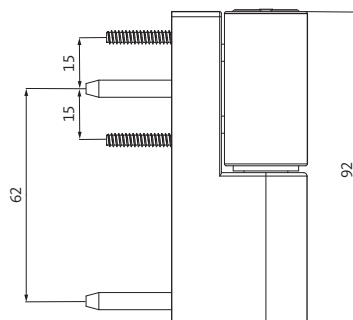
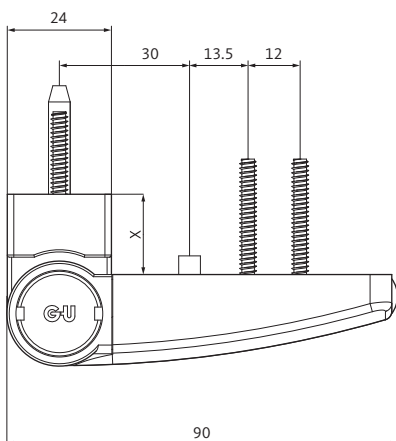
- Pin parts made of corrosion-resistant steel

Specifications

- Non-handed
- Leaf part width 90 mm

Overlaps

- 12.5 to 16 mm
- 16 to 19.5 mm
- 19.5 to 22 mm
- 22 to 25.5 mm



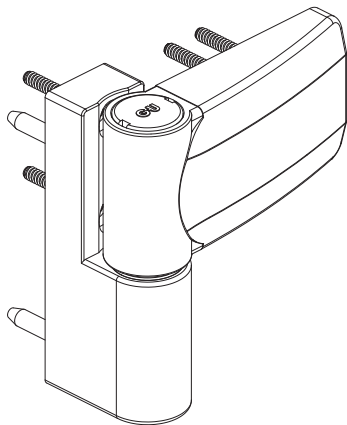
Adjustment options



- Horizontal adjustment: ± 5 mm
- Vertical adjustment: + 1.75 mm
- Gasket pressure adjustment + 1,5 mm

GU F 90 – Screw-on hinge

up to 80 kg, leaf part width 90 mm



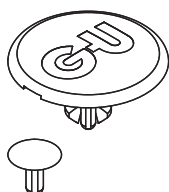
GU F 90 – Screw-on hinge

Overlap X [mm]	Package size	Finish	PU	Order number*
12.5 – 16	Individual packing	Silver / EV 1 look	50	H-01337-09-0-1
		Brown (RAL 8019)	50	H-01337-09-0-5
		White (RAL 9016)	50	H-01337-09-0-7
		On request*	50	H-01337-09-0-9
	Industrial packing	Silver / EV 1 look	24	H-01341-09-0-1
		Brown (RAL 8019)	24	H-01341-09-0-5
		White (RAL 9016)	24	H-01341-09-0-7
		On request*	24	H-01341-09-0-9
16 – 19.5	Individual packing	Silver / EV 1 look	50	H-01338-09-0-1
		Brown (RAL 8019)	50	H-01338-09-0-5
		White (RAL 9016)	50	H-01338-09-0-7
		On request*	50	H-01338-09-0-9
	Industrial packing	Silver / EV 1 look	24	H-01342-09-0-1
		Brown (RAL 8019)	24	H-01342-09-0-5
		White (RAL 9016)	24	H-01342-09-0-7
		On request*	24	H-01342-09-0-9
19.5 – 22	Individual packing	Silver / EV 1 look	50	H-01339-09-0-1
		Brown (RAL 8019)	50	H-01339-09-0-5
		White (RAL 9016)	50	H-01339-09-0-7
		On request*	50	H-01339-09-0-9
	Industrial packing	Silver / EV 1 look	24	H-01343-09-0-1
		Brown (RAL 8019)	24	H-01343-09-0-5
		White (RAL 9016)	24	H-01343-09-0-7
		On request*	24	H-01343-09-0-9
22 – 25.5	Individual packing	Silver / EV 1 look	50	H-01340-09-0-1
		Brown (RAL 8019)	50	H-01340-09-0-5
		White (RAL 9016)	50	H-01340-09-0-7
		On request*	50	H-01340-09-0-9
	Industrial packing	Silver / EV 1 look	24	H-01344-09-0-1
		Brown (RAL 8019)	24	H-01344-09-0-5
		White (RAL 9016)	24	H-01344-09-0-7
		On request*	24	H-01344-09-0-9

Contents per PU: 1 hinge, 1 set of screws, 1 cover cap, 1 small cover cap
 * More finishes available on request.

Product-specific accessories: Drilling jig

Designation	PU	Order number
Drilling jig	1	H-00311-00-0-0



Additional accessories: Cover cap

Designation	Finish	PU	Order number
Cover cap	Black (RAL 9005)	50	H-01345-00-0-6
	White (RAL 9016)	50	H-01345-00-0-7
Cover cap, small	Black (RAL 9005)	50	H-01346-00-0-6
	White (RAL 9016)	50	H-01346-00-0-7

Barrel hinges made of zamak

for Side-Hung elements with low loads



We recommend using aluminium screw-on hinges with safety-relevant components!

Barrel hinges made of zamak

Designation	Finish	PU	Order number
Laterally-adjustable screw-on hinge, galv. pin, 100 mm	Brown (RAL 8019)	20	H-01429-00-0-5
	White (RAL 9016)	20	H-01429-00-0-7
Laterally-adjustable screw-on hinge, galv. pin, 100 mm, 10 ° pitch	Brown (RAL 8019)	20	H-01429-10-0-5
	White (RAL 9016)	20	H-01429-10-0-7

Please follow our installation recommendations on page 161.

Barrel hinges made of zamak

for Side-Hung elements with low loads



We recommend using aluminium screw-on hinges with safety-relevant components!

Barrel hinges made of zamak

Designation	Finish	PU	Order number
Screw-on hinge, galv. pin, 75 mm	Silver / EV 1 look	20	H-01431-00-0-1
	Brown (RAL 8019)	20	H-01431-00-0-5
	White (RAL 9016)	20	H-01431-00-0-7
Screw-on hinge, galv. pin, 75 mm, 5 ° pitch	Brown (RAL 8019)	20	H-01431-10-0-5
	White (RAL 9016)	20	H-01431-10-0-7





2 Door hinges for timber elements

2.1 Technical information

Adjustment notes for concealed hinges – GU C 616-18 FD 3D	60
Adjustment notes for mill-in hinges – GU M 416 3D and GU M 516 3D	61
Drilling and milling jig technology	62
Order form for drilling and milling jigs	63
Drilling and milling data for mill-in hinges – door frames and door leaves GU M 416 3D and GU M 516 3D	64

2.2 Concealed hinges for rebated doors

GU C 616-18 FD 3D CONCEALED	for doors up to 160 kg	67
-----------------------------	------------------------	----

2.3 Concealed hinges for flush doors

GU C 618 3D CONCEALED Design	for doors up to 180 kg	70
GU C 612 3D CONCEALED Design	for doors up to 120 kg	72
GU C 612 3D CONCEALED SAFE Design	for doors up to 120 kg	74

2.4 Door hinges for timber-aluminium elements | For outward-opening elements

GU M 816 – door hinge and GU M 8511 – mounting element	for doors up to 180 kg	76
---	------------------------	----

2.5 Adjustable mill-in hinges for doors with small overlaps

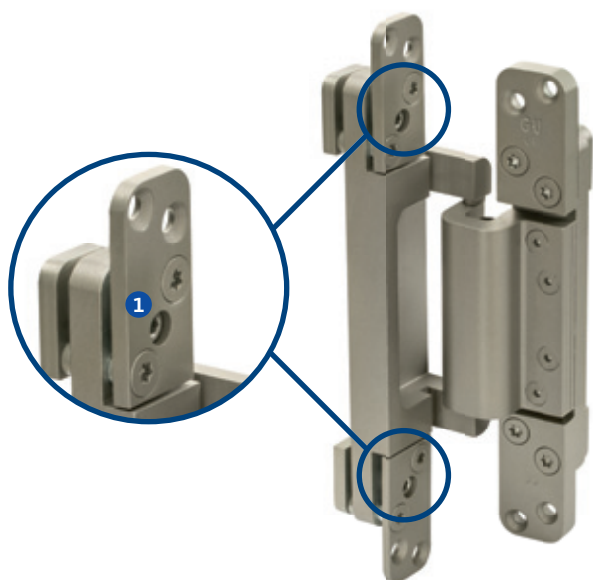
GU M 516 3D – Mill-in hinge	for doors up to 200 kg	79
GU M 516 3D – Profile overview	Gasket-guides	84
GU M 416 3D – Mill-in hinge	for doors up to 200 kg	89
GU M 416 3D – Profile overview	Gasket-guides	94

2.6 Adjustable drill-in hinges

GU D 312-20 3D – Drill-in hinge	for doors up to 120 kg	100
GU D 312-16 3D – Drill-in hinge	for doors up to 120 kg	104
GU D 215-20 3D – 2-part drill-in hinge	for doors up to 150 kg	106
GU D 212-17 3D – 2-part drill-in hinge	for doors up to 120 kg	108
GU D 115-20 3D – 3-part drill-in hinge	for doors up to 150 kg	110
GU D 111-16 3D – 3-part drill-in hinge	for doors up to 110 kg	112
GU D 111-20 – Drill-in hinge	for doors up to 110 kg	114
GU D 106-15 – Drill-in hinge	for doors up to 60 kg	116

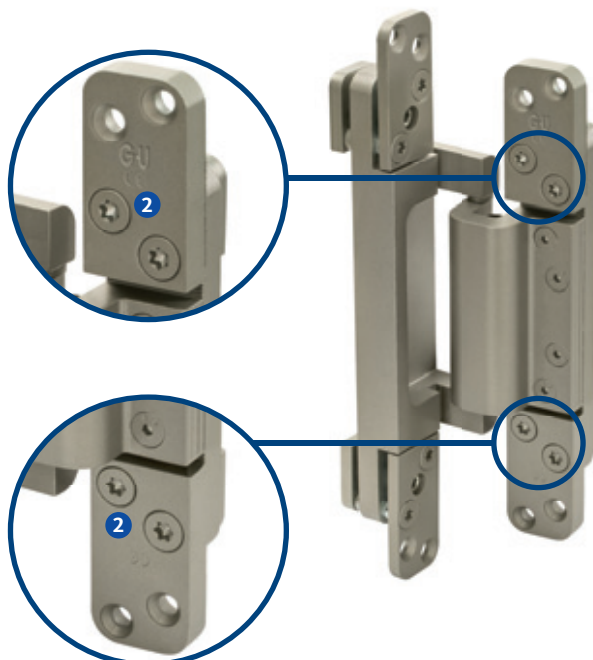
Adjustment notes for concealed hinges

GU C 616-18 FD 3D



Horizontal adjustment

- 1 Use Allen key size 4 to put both adjustment screws on the leaf part in the desired lateral position. Ensure that you make an even adjustment.



Gasket pressure adjustment / Vertical adjustment

- 2 Loosen the four locking screws (Torx 30) on the frame part. Open the door to the desired position. Retighten both locking screws.

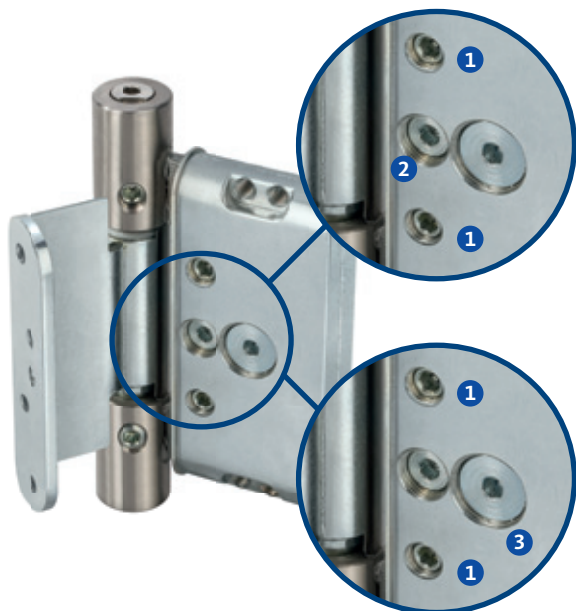


Adjustment options GU C 616-18 FD 3D

	GU C 616-18 FD 3D
Gasket pressure adjustment	+ 1 mm / - 1 mm
Horizontal adjustment	+ 3 mm / - 3 mm
Vertical adjustment	+ 3 mm / - 3 mm

Adjustment notes for mill-in hinges

GU M 416 3D and GU M 516 3D



Horizontal adjustment

- 1 Loosen both locking screws using an Allen key size 4.
- 2 Use Allen key size 4 to put the adjusting screw in the desired lateral position.
- 1 Tighten both locking screws using an Allen key size 4.

Gasket pressure adjustment

- 1 Loosen both locking screws using an Allen key size 4.
- 3 Use Allen key size 4 to put the eccentric screw in the desired pressure position.
- 1 Tighten both locking screws using an Allen key size 4.



Secured pins

- 6 For securing the hinge pin in outward-opening doors.

Vertical adjustment

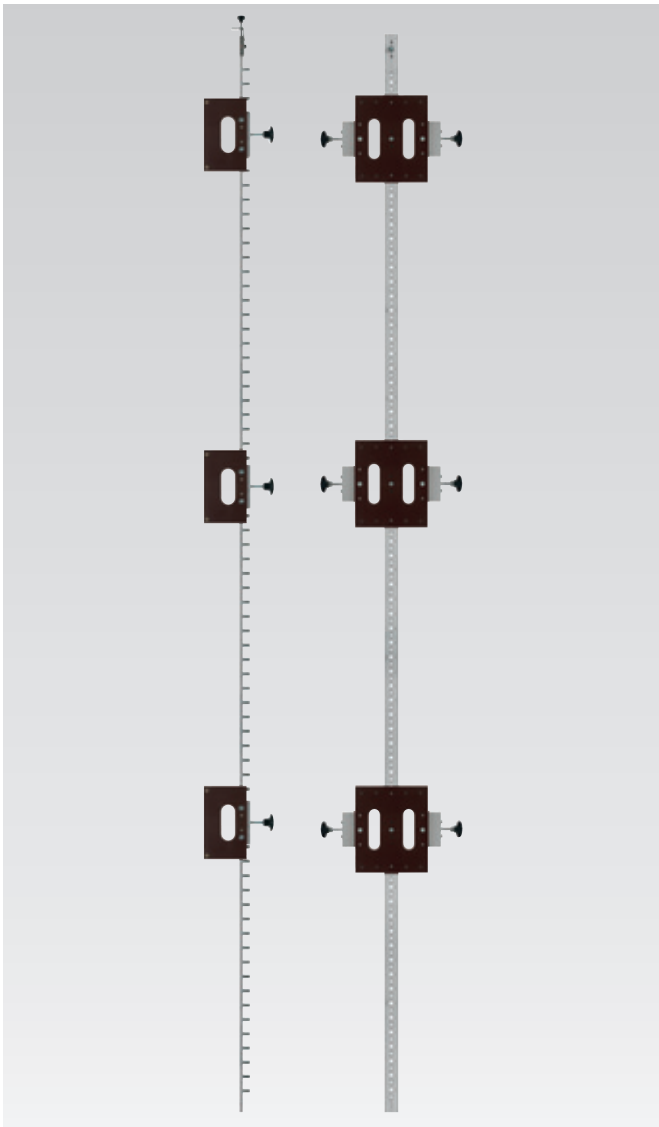
- 4 Loosen both height adjustment screws using an Allen key size 4.
- 5 The hinge can be put in the required vertical position using the height adjustment screw. Move the height adjustment screw in one of the two flattened adjustment positions, so that the screw clamps at this point.
- 4 Tighten both height adjustment screws using an Allen key size 4.



Adjustment options GU M 416 3D and GU M 516 3D	
	GU M 416 3D / GU M 516 3D
Gasket pressure adjustment	+1 mm / -3 mm
Horizontal adjustment	+3 mm / -3 mm
Vertical adjustment	+4 mm / -2 mm

Drilling and milling jig technology

Hinges for timber doors



The appropriate jig technology for your choice of hinge

Perfect functioning of a hinge requires professional installation using the appropriate tools, drilling jigs, milling jigs and accessories. Consequently, GU provides the appropriate drilling and milling jigs for each hinge and therefore ensures precise and economical installation from a special solution through to series production. The appropriate jigs for your hinge can be found under the product-specific accessories on the respective order forms. All the necessary drilling and milling data can be found on the following pages.

There are a number of profile cross-sections for timber elements. In order to be able to compile the appropriate mass-production jig for your profile, we need some data from you. You will find an order form on the next page. Please use this form to order your jig technology. If possible, please send us your profile drawing with this order form. We are happy to support you with this. Please do not hesitate to approach us.

Milling jig for mass production – leaf-side and frame-side consisting of jig base-rail, 3000 mm long, with 4 cm grid for 2–5 stop blocks and 2–5 milling jigs



Tool set for drill-in hinges

Different drill-in hinges are hung with a tool set. Usually, a tool set always consists of two drilling jigs and the required accessories, such as stepped drills, adjusting ring, crank insert and turning crank. You can also reorder those articles contained in each tool set as needed. These part numbers are also available for product-specific accessories.

Tool set for mill-in hinge GU M 416 3D and GU M 516 3D

Order form for drilling and milling jigs for mass production



Customer No.: _____ Field staff: _____ Date: _____

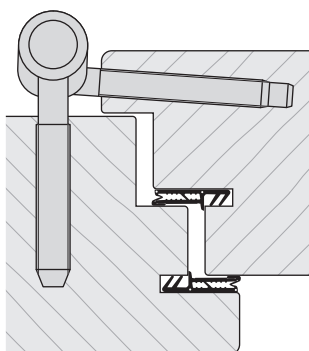
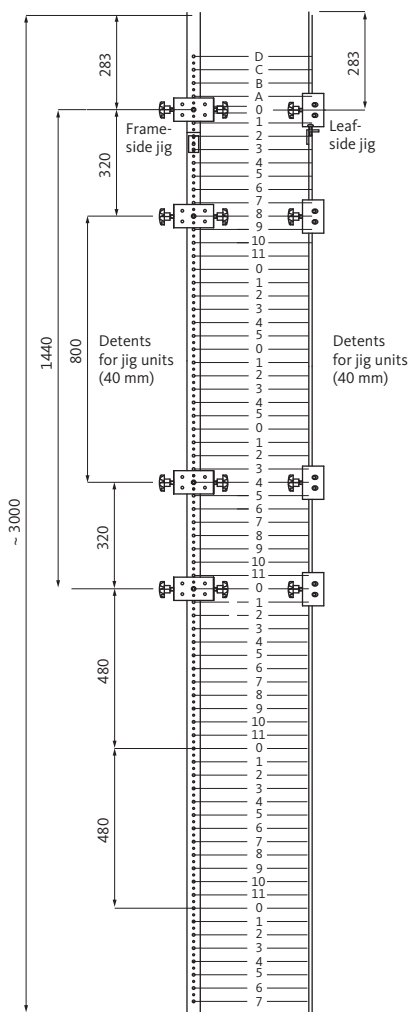
Name: _____ Contact person: _____
Department / responsibility: _____

Street: _____ Telephone extension: _____

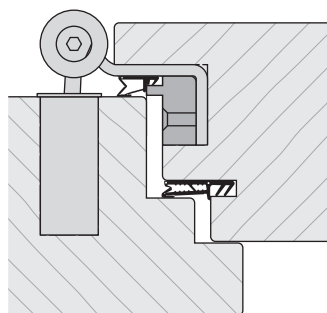
Country / postal code / city or town: _____ E-mail: _____

Jig for: _____

For hinge type: _____ Hinge no.: _____ No. of drilling jigs: _____



Symbol icon:
without overlap gasket



Symbol icon:
with overlap gasket

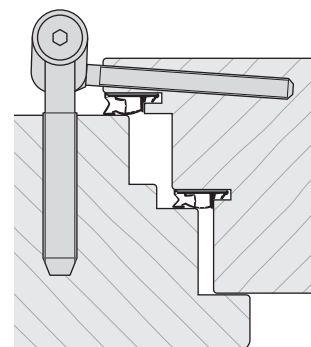
With overlap gasket

Overlap height [mm]: _____

Overlap width [mm]: _____

Lateral clearance [mm]: _____

Top clearance [mm]: _____



Symbol icon:
window rebate with overlap gasket

Without overlap gasket

Gasket profile no.: _____

PLEASE NOTE:

Please enclose a profile drawing to your order when ordering a milling jig for mass-production.

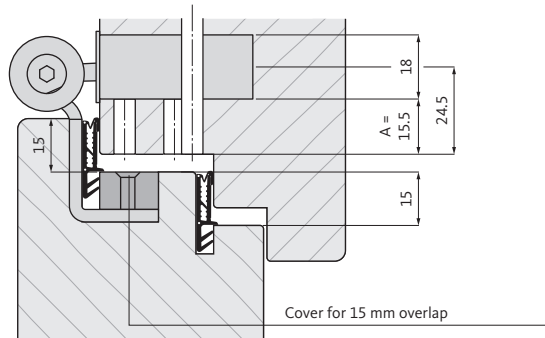
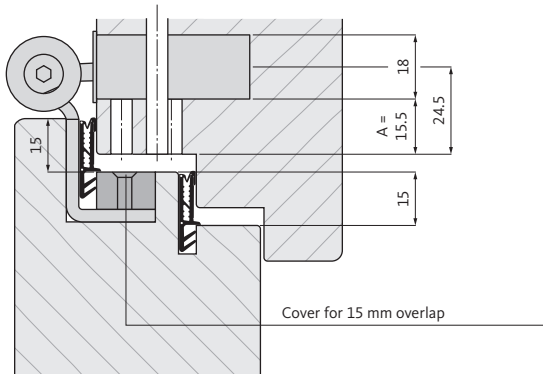
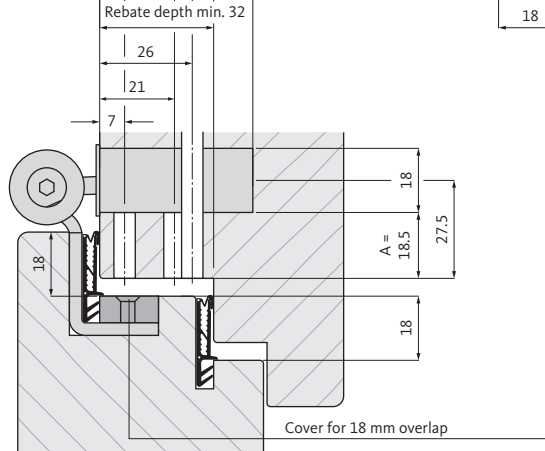
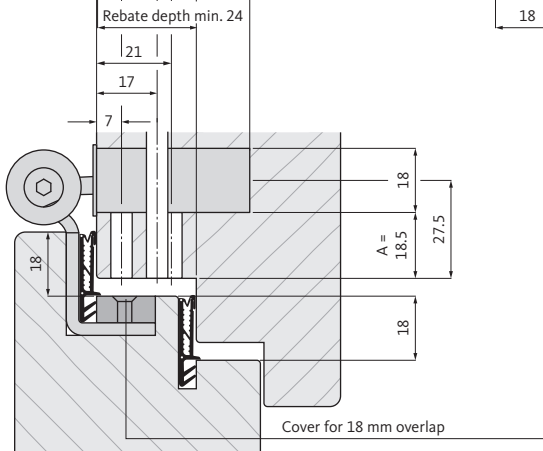
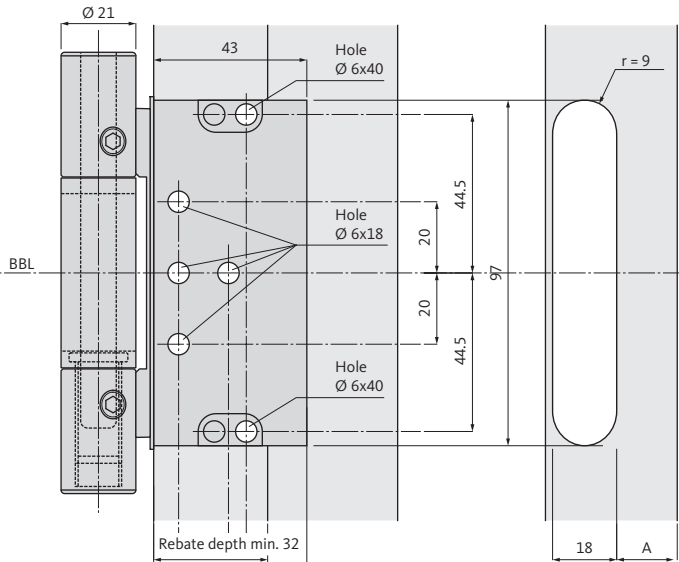
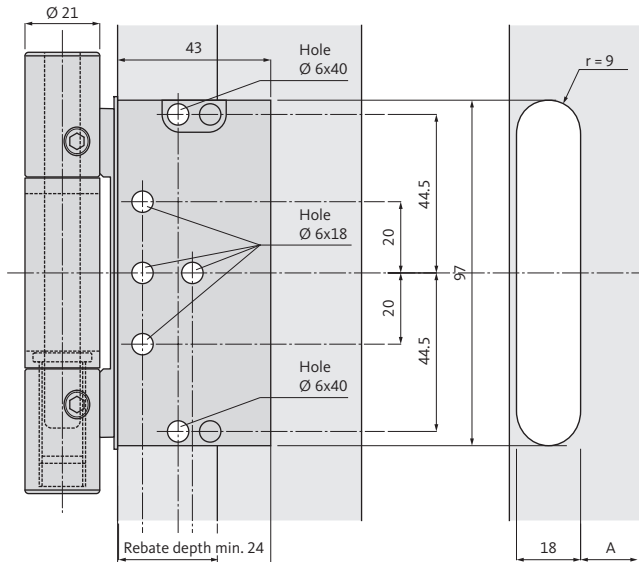
Drilling and milling data for mill-in hinges – door frames

GU M 416 3D and GU M 516 3D



For 15/18 mm overlap and min. 24 mm rebate depth

For 15/18 mm overlap and min. 32 mm rebate depth



HRL = Hinge Reference Line
Installation dimensions are dependent on the profile!

The hinge pocket is fastened using the retaining screws supplied.
The distance A of the hinge pocket from the rebate leading edge is determined by the required rebate clearance. We determined the following values in our examples: for the basic setting of the hinge, a rebate width of 15 mm, and a rebate clearance of 5 mm, A was determined to be 15.5 mm.

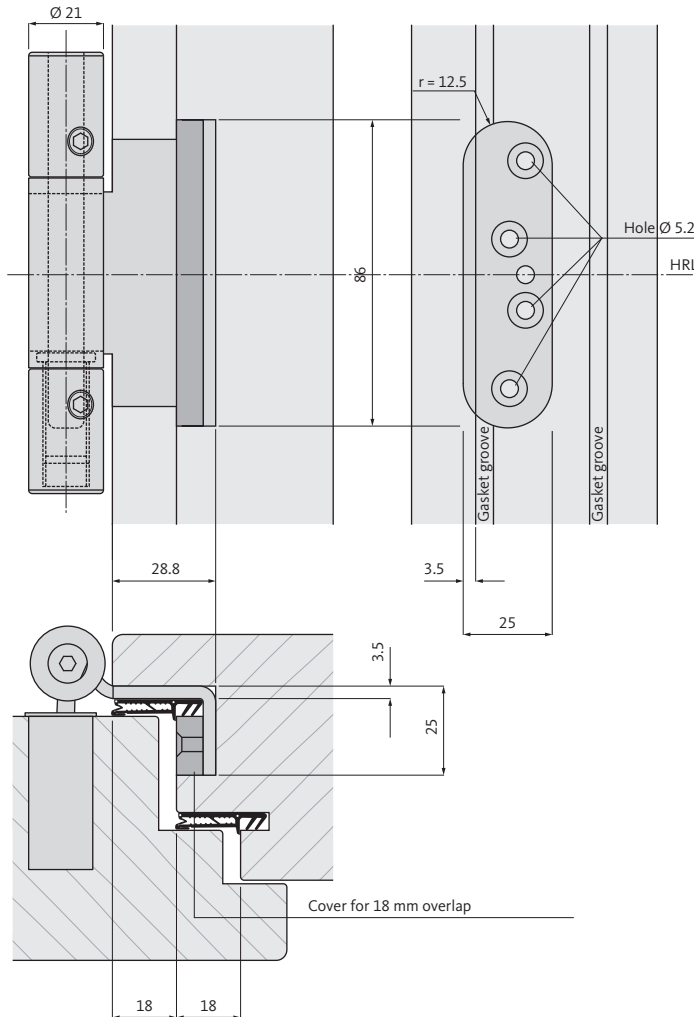
For the basic setting of the hinge, a rebate width of 18 mm, and a rebate clearance of 5 mm, A was determined to be 18.5 mm. If you wish to increase or decrease the rebate clearance the distance A must be changed accordingly.

Drilling and milling data for mill-in hinges – door leaves

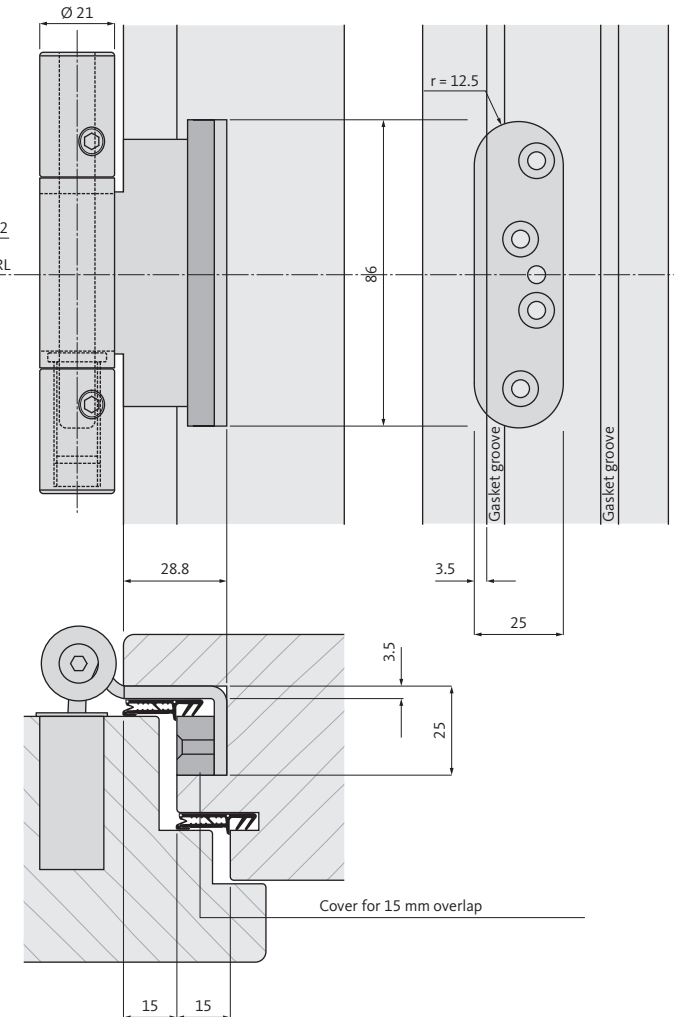
GU M 416 3D and GU M 516 3D



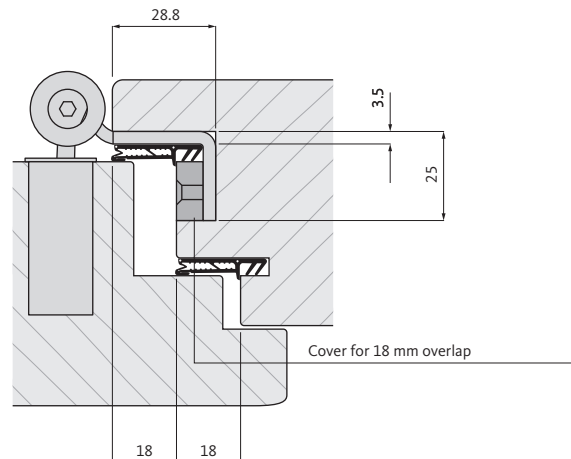
Overlap 18 mm – with overlap gasket



Overlap 15 mm – with overlap gasket



Overlap 18 mm – with overlap gasket – Euro-rebate



HRL = Hinge reference line
Installation dimensions are dependent on the profile!

To fix the hinge, we recommend the use of screws with min. Ø 4.5 mm x 35 mm.

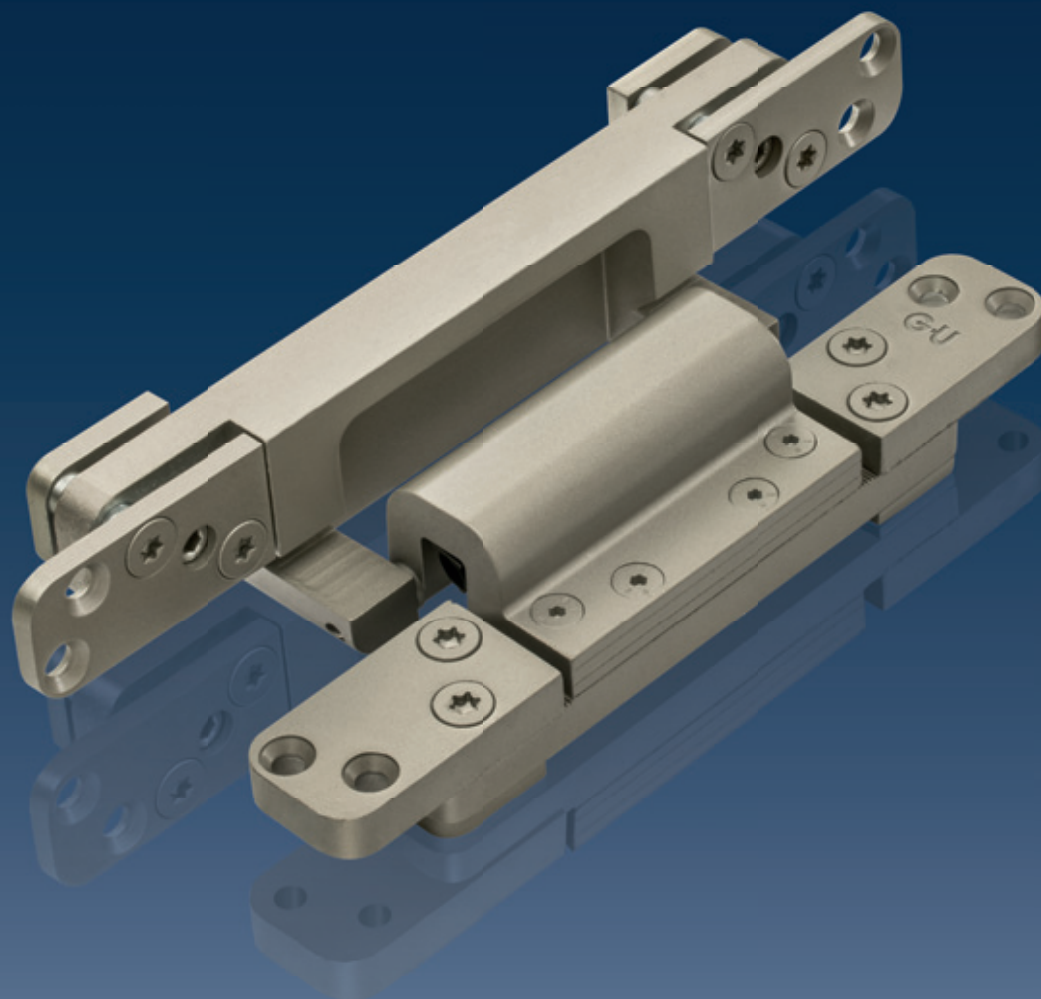


GU C 616-18 FD 3D CONCEALED

up to 160 kg

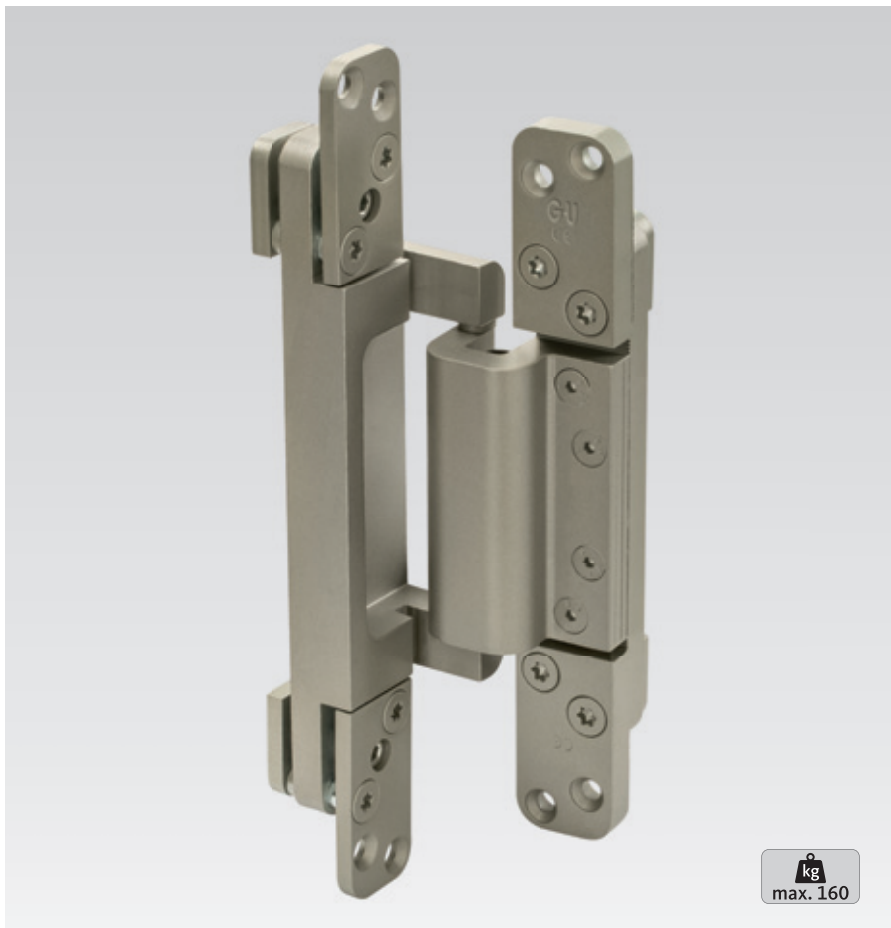


Concealed hinge technology



GU C 616-18 FD 3D CONCEALED

up to 160 kg



kg
max. 160

Concealed hinge technology

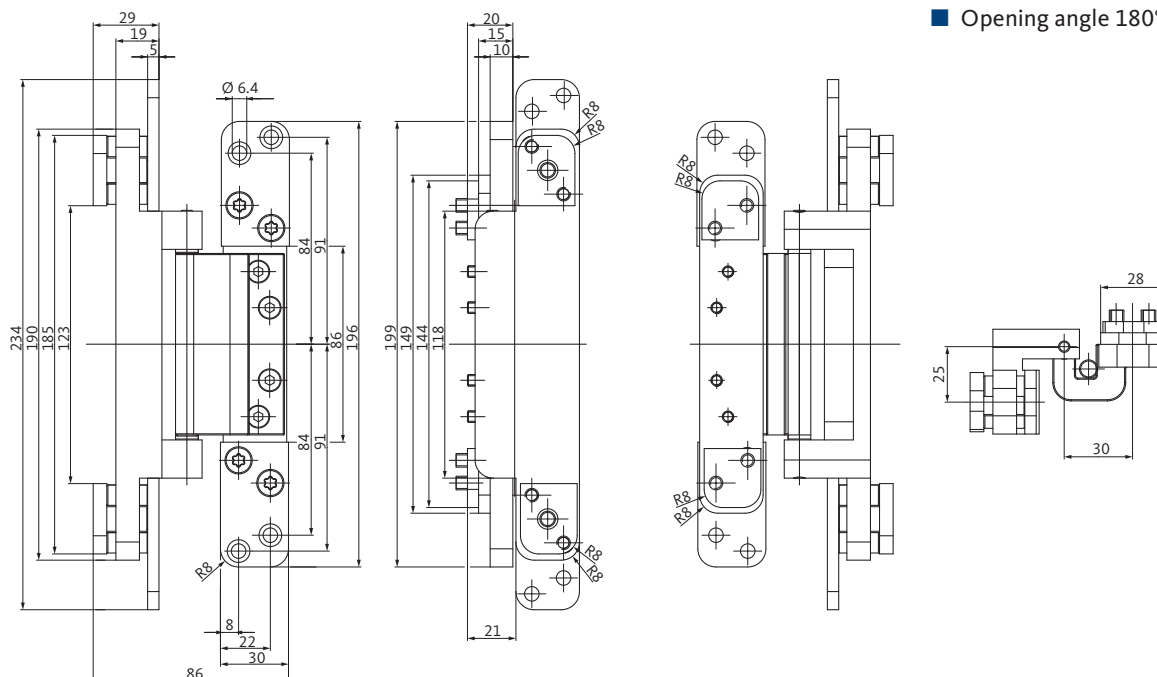
- Provides a modern linear door design, so the clear lines of the door are not interrupted
- Can be used for doors with overlap gasket
- Can be quickly and conveniently adjusted in three dimensions
- Can continuously withstand high loads

Product information

- Concealed hinge for rebated timber doors
- Stepless 3D adjustment
- Continuous sealing level
- Maintenance-free bearing system

Specifications

- Non-handed, exterior and interior use
- 18 mm overlap width with overlap gasket
- Up to 20 mm overlap thickness
- Opening angle 180°



GU C 616-18 FD 3D CONCEALED

up to 160 kg



GU C 616-18 FD 3D CONCEALED – Door hinge

Designation	Finish	PU	Order number*
GU C 616-18 FD 3D CONCEALED	Silver / EV 1 look	1	H-01816-02-0-1
GU C 616-18 FD 3D CONCEALED	On request*	1	H-01816-02-0-9

* More finishes available on request.

Adjustment options

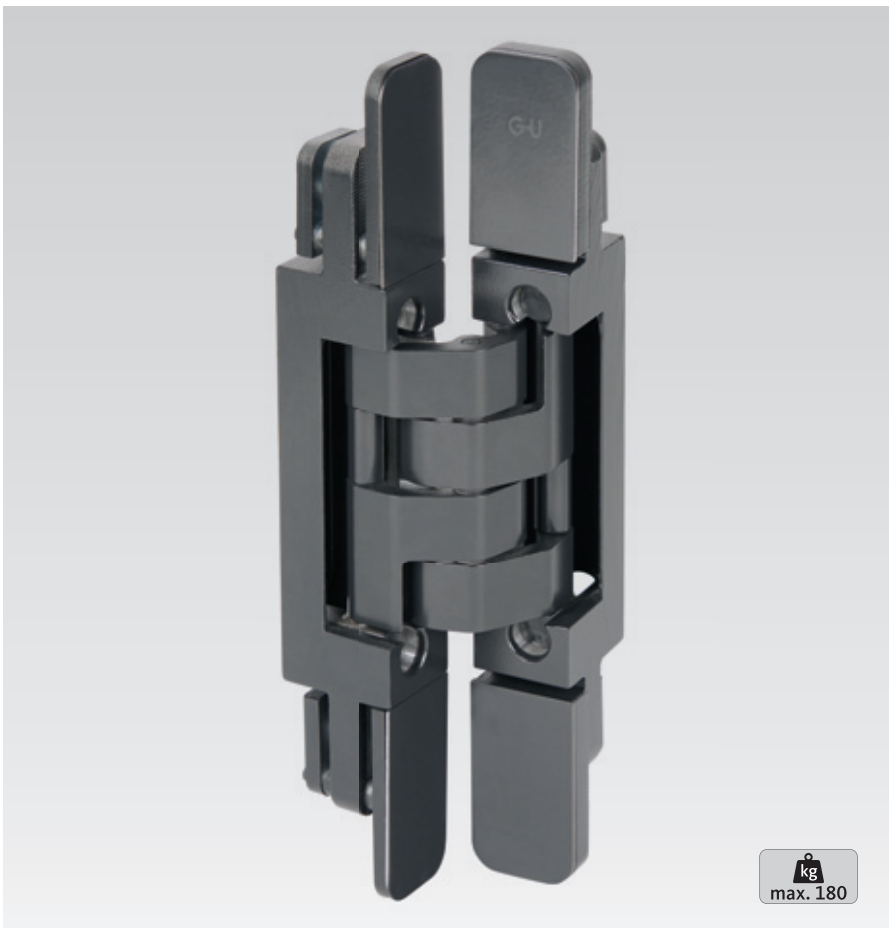


- Horizontal adjustment:
± 3 mm
- Vertical adjustment:
+ 3 mm / - 3 mm
- Gasket pressure adjustment:
+ 1 mm / - 1 mm

Drilling and milling data in the appropriate file format are available on request.

GU C 618 3D CONCEALED Design

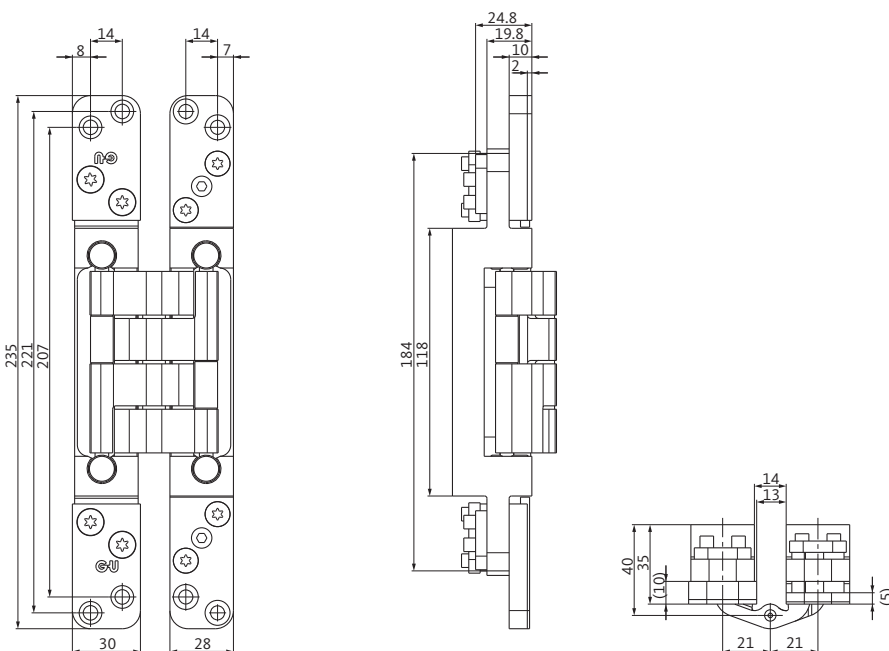
up to 180 kg



Product information

- Concealed hinge for flush doors
- No screws visible thanks to magnetically held cover plates
- Comfortable 3D adjustment
- Maintenance-free bearing system

kg
max. 180



GU C 618 3D CONCEALED Design

up to 180 kg



GU C 618 3D CONCEALED Design – Door hinge

Designation	Finish	PU	Order number*
GU C 618 3D CONCEALED Design	Silver / EV 1 look	1	H-01823-00-0-1
GU C 618 3D CONCEALED Design	Black (RAL 9005)	1	H-01823-00-0-6
Set of cover plates GU C 618 3D	Silver / EV 1 look	1	H-01827-00-0-1
Set of cover plates GU C 618 3D	Black (RAL 9005)	1	H-01827-00-0-6

Adjustment options

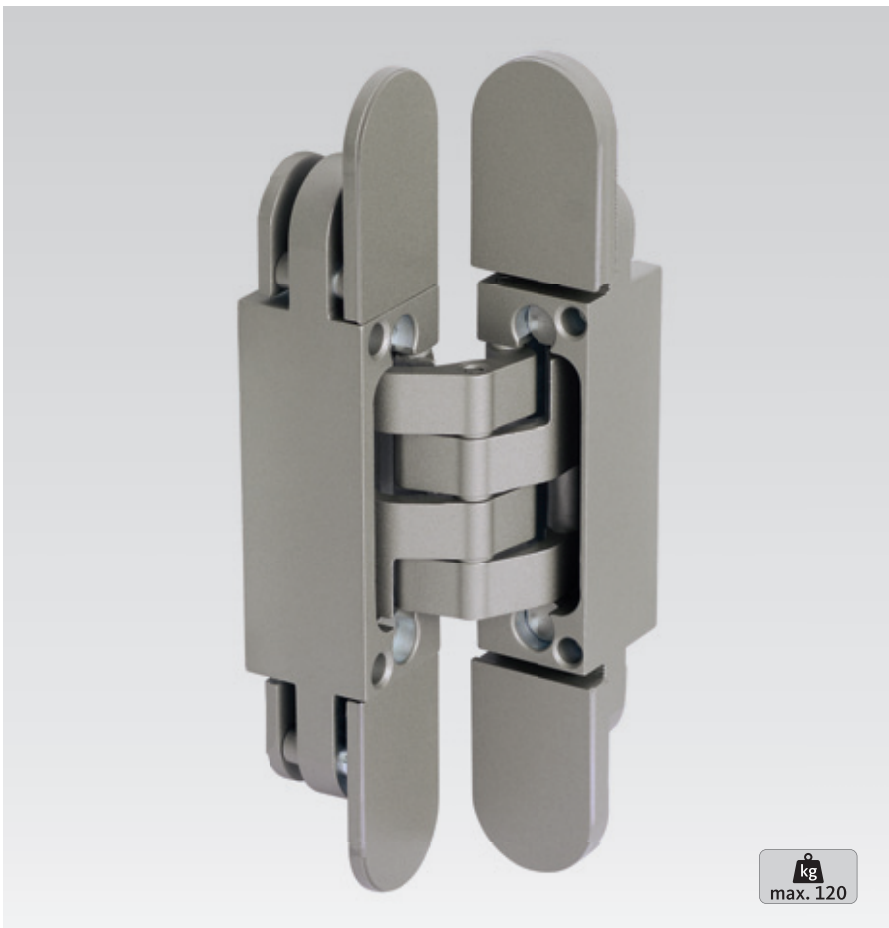


- Horizontal adjustment:
± 3 mm
- Vertical adjustment:
+ 3 mm / - 3 mm
- Gasket pressure adjustment:
+ 1 mm / - 1 mm

Drilling and milling data in the appropriate file format are available on request.

GU C 612 3D CONCEALED Design

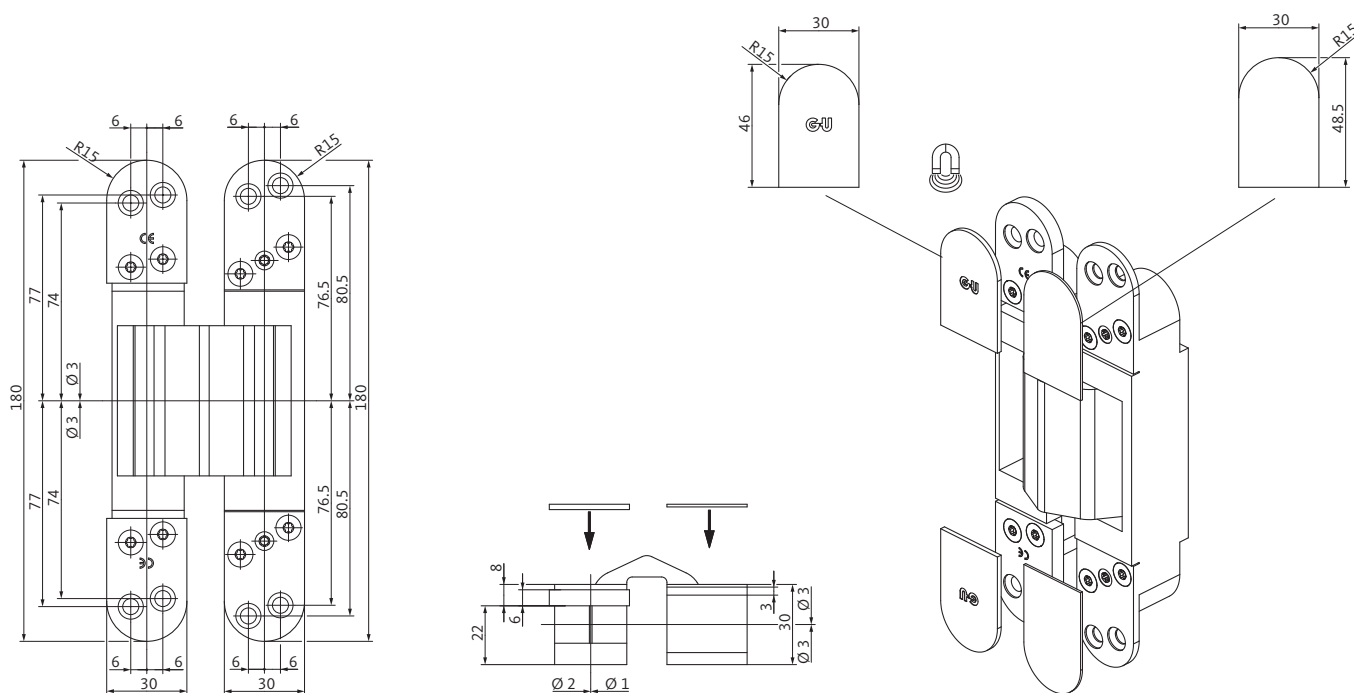
up to 120 kg



Product information

- Concealed hinge for flush doors
- No screws visible thanks to magnetically held cover plates
- Comfortable 3D adjustment
- Maintenance-free bearing system

kg
max. 120



GU C 612 3D CONCEALED Design

up to 120 kg



GU C 612 3D CONCEALED Design – Door hinge

Designation	Finish	PU	Order number*
GU C 612 3D CONCEALED Design	Silver / EV 1 look	1	H-01882-00-0-1

Adjustment options



- Horizontal adjustment:
± 3 mm
- Vertical adjustment:
+ 3 mm / - 3 mm
- Gasket pressure adjustment:
+ 1 mm / - 1 mm

Drilling and milling data in the appropriate file format are available on request.

GU C 612 3D CONCEALED SAFE Design

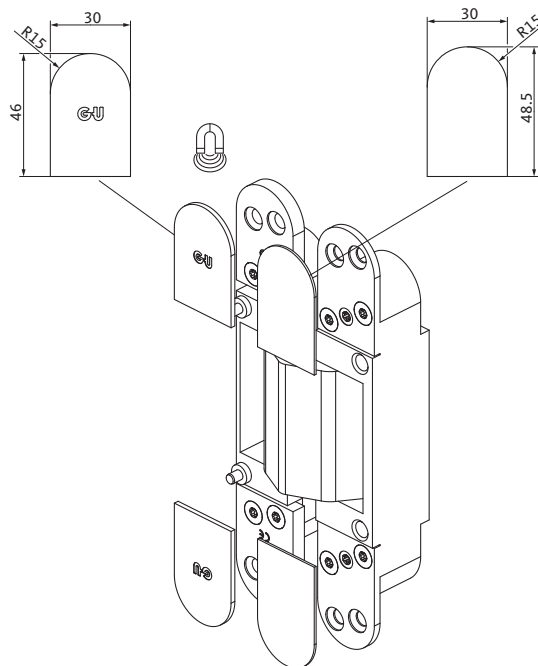
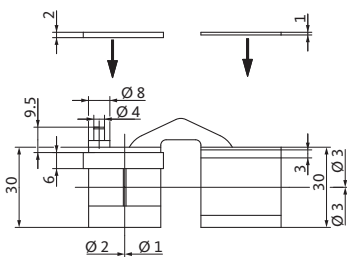
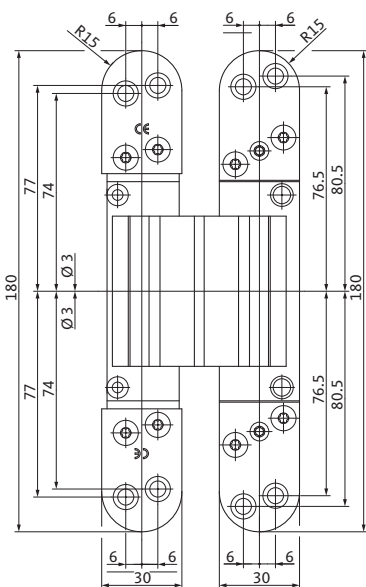
up to 120 kg



kg
max. 120

Product information

- Concealed hinge for flush doors
- No screws visible thanks to magnetically held cover plates
- Comfortable 3D adjustment
- Maintenance-free bearing system
- For use on burglar-inhibiting elements in SAFE design = integrated hinge-side locking



GU C 612 3D CONCEALED SAFE Design

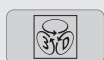
up to 120 kg



GU C 612 3D CONCEALED SAFE Design – Door hinge

Designation	Finish	PU	Order number*
GU C 612 3D CONCEALED SAFE Design	Silver / EV 1 look	1	H-01883-00-0-1

Adjustment options



- Horizontal adjustment:
± 3 mm
- Vertical adjustment:
+ 3 mm / - 3 mm
- Gasket pressure adjustment:
+ 1 mm / - 1 mm

Drilling and milling data in the appropriate file format are available on request.

GU M 816 – Door hinge

GU M 8511 – Hinge mounting element

up to 180 kg



Product information

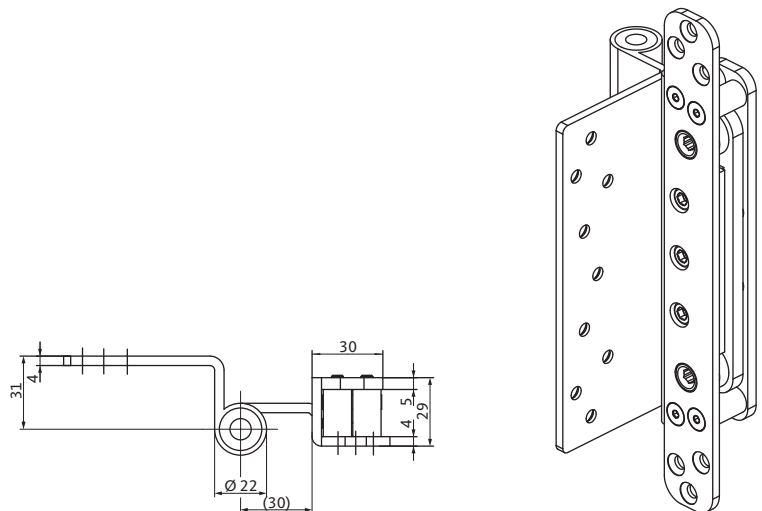
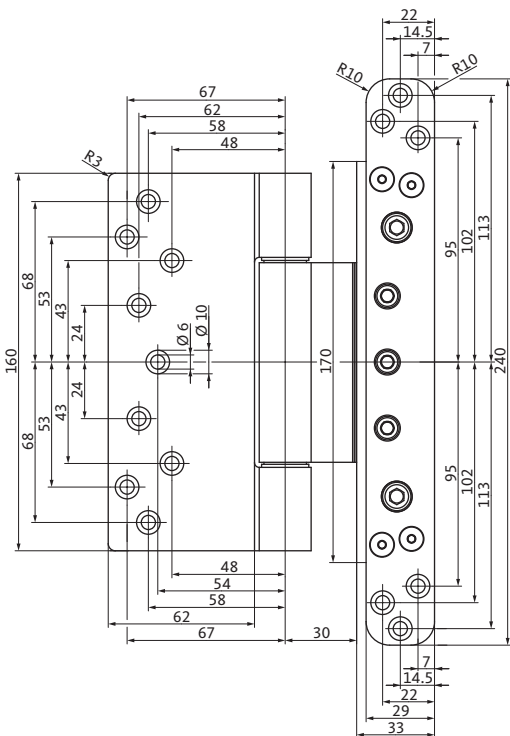
- CE-certified according to EN 1935 in the hinge class 14, 160 kg load-bearing capacity, depending on the profile version
- Material thickness of door hinge 4 mm
- 3D adjustment in hinge mount
- Hinge mount including mounted cover angle
- The hinge mount with protection against driving rain is supplied with secured pins as standard
- Maintenance-free bearing system

Materials

- Stainless steel hinge components
- Cover angle made of stainless steel

Specifications

- Non-handed



GU M 816 – Door hinge

GU M 8511 – Hinge mounting element

up to 180 kg

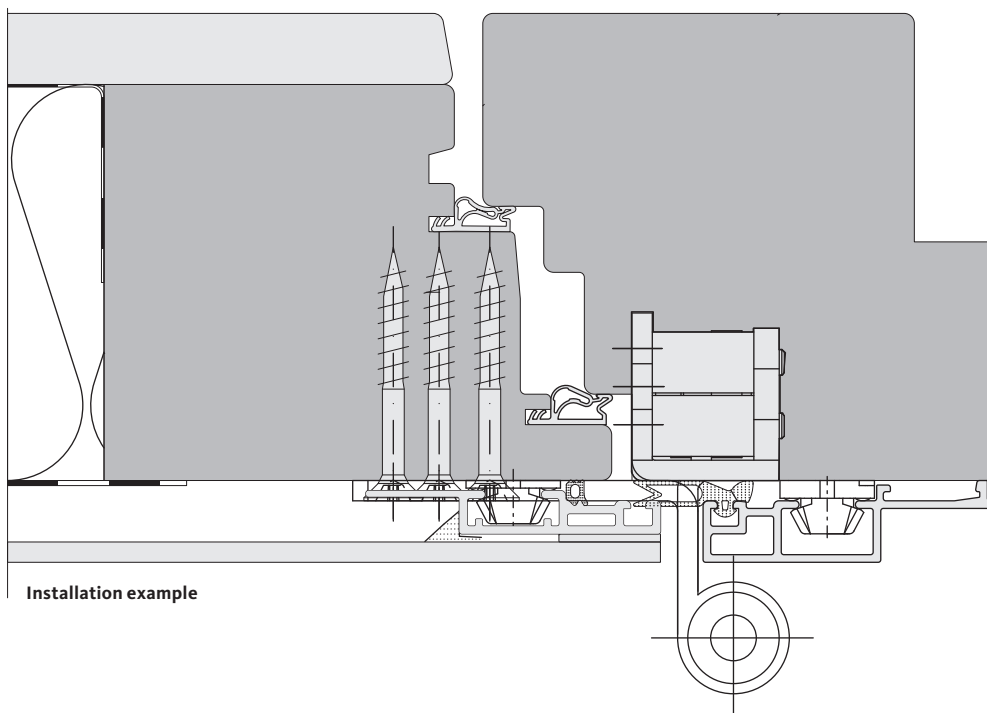


GU M 816 HA MS (TZ) – Door hinge

Specifications	PU	Order number
without stabilising pin, with secured pins	1	H-01911-00-0-8
with stabilising pin and secured pins	1	H-01912-00-0-8

GU M 8511 3D – Hinge mounting element

Specifications	PU	Order number
without seal against driving rain, with pre-mounted cover angle	1	H-01913-00-0-8
with seal against driving rain and pre-mounted cover angle	1	H-01914-00-0-8



Installation example

Adjustment options



- Horizontal adjustment:
± 4 mm
- Vertical adjustment:
+ 3 mm / - 2.5 mm
- Gasket pressure adjustment:
± 4 mm

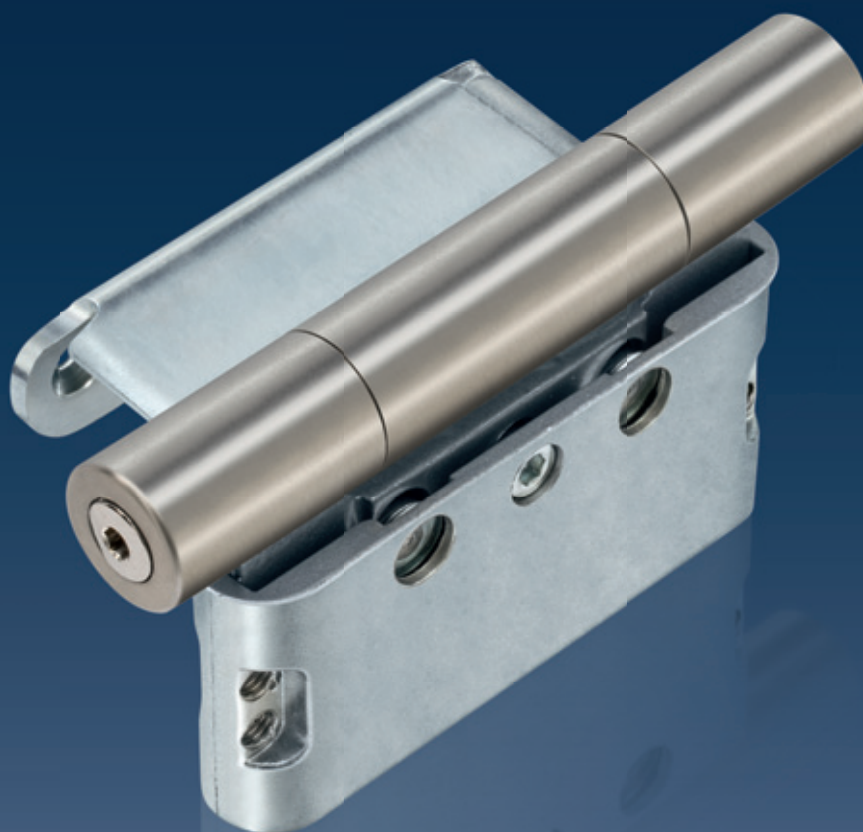


GU M 516 3D – Mill-in hinge

up to 200 kg



**Elegant
stainless steel
hinge roll**



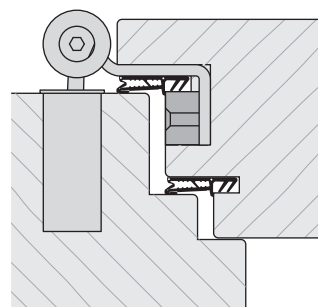
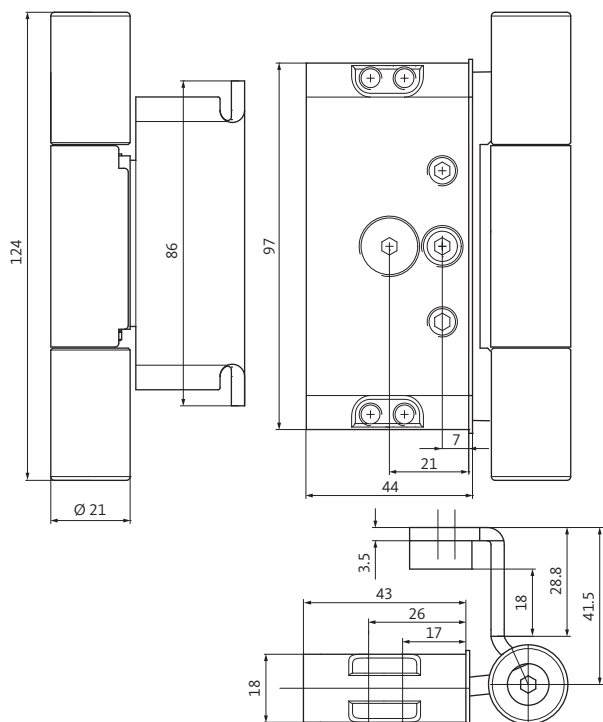
GU M 516 3D – Mill-in hinge

up to 200 kg



Elegant stainless steel hinge roll

- Increased burglar resistance, can be used for system tests according to EN 1627 et seq./RC 3
- CE-certified according to EN 1935, can be used for doors in escape and rescue routes
- Can be quickly and conveniently adjusted in three dimensions and independently from each other
- Stable hinge seating during and after setting the door hinges
- Can continuously withstand high loads
- Individual gasket-guide can be used for almost all rebate systems



Symbol icon:
with overlap gasket

GU M 516 3D – Mill-in hinge

up to 200 kg



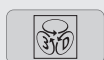
Product information

- Stainless steel hinge roll and axle pin
- Stepless 3D adjustment independent from each other
- Constant distance between hinge rolls after adjustment
- Can be used for door rebate systems with low overlap heights, the gasket level is not interrupted
- Can continuously withstand high loads up to 200 kg
- CE-certified
- Maintenance-free bearing system

Specifications

- Available pre-mounted in DIN LH and DIN RH
- Exterior and interior use

Adjustment options



- Horizontal adjustment:
± 2.5 mm
- Vertical adjustment:
+ 4 mm / - 2 mm
- Gasket pressure adjustment:
+ 3 mm / - 1 mm

GU M 516 3D – Mill-in hinge

up to 200 kg



GU M 516 3D – Mill-in hinge

Designation	Finish	PU	Order number		
			DIN LH	DIN RH	
GU M 516 3D	without gasket-guide	Satin stainless steel	1	H-01662-01-L-8	H-01662-01-R-8
			6	H-01662-06-L-8	H-01662-06-R-8

Gasket-guide for GU M 516 3D

Designation			PU	Order number
GU M 516-15-15 FD	15 mm sash overlap	15 mm overlap gasket	10	H-01664-00-0-1
GU M 516-15-10 FD		10 mm overlap gasket	10	H-01665-00-0-1
GU M 516-18-18 FD	18 mm sash overlap	18 mm overlap gasket	10	H-01666-00-0-1
GU M 516-18-10 FD		10 mm overlap gasket	10	H-01667-00-0-1
GU M 516-18-12 FD		12 mm overlap gasket	10	H-01668-00-0-1
GU M 516-20-20 FD	20 mm sash overlap	20 mm overlap gasket	10	H-01669-00-0-1
GU M 516-20-10 FD		10 mm overlap gasket	10	H-01670-00-0-1
GU M 516-20-12 FD		12 mm overlap gasket	10	H-01671-00-0-1

Please order the GU M 516 gasket-guide depending on profile system. The profile overview can be found on pages 84 – 87.

Product-specific accessories: Mass-production milling jig for GU M 516 3D – frame-side

Designation		PU	Order number
GU jig base-rail 3000, frame-side	jig base-rail, 3000 mm long, with 4 cm grid for 2-5 stop blocks and 2-5 milling jigs	1	H-01680-00-0-1
GU jig base-rail 300, frame-side	jig base-rail, 300 mm long, for 1 stop block and 1 milling jig	1	H-01825-00-0-1
GU FS M 516/416 3D, frame-side	Milling jig for frame-side hinge pocket	1	H-01681-00-0-1
GU FS M 516/416 3D, frame-side	Single milling jig for the frame-side hinge pocket	1	H-01681-00-E-1

Please choose stop blocks for the jig base-rail that are suitable for the rebate system

Designation			PU	Order number
GU TS-AK-15-04	Overlap width 15 mm	Clearance 4 mm	1	H-01682-15-0-1
GU TS-AK-15-05		Clearance 5 mm	1	H-01683-15-0-1
GU TS-AK-18-04	Overlap width 18 mm	Clearance 4 mm	1	H-01684-18-0-1
GU TS-AK-18-05		Clearance 5 mm	1	H-01685-18-0-1
GU TS-AK-18-12		Clearance 12 mm	1	H-01686-18-0-1
GU TS-AK-20-04	Overlap width 20 mm	Clearance 4 mm	1	H-01687-20-0-1
GU TS-AK-20-05		Clearance 5 mm	1	H-01688-20-0-1
GU TS-AK-20-12		Clearance 12 mm	1	H-01689-20-0-1

Please use the order form on page 63 when ordering milling jigs mass-production. These articles are non-returnable.

Product-specific accessories: Mass-production milling jig for GU M 516 3D – leaf-side

Designation		PU	Order number
GU jig base-rail 3000, leaf-side	jig base-rail, 3000 mm long, with 4 cm grid for 2-5 milling jigs	1	H-01690-00-0-1
GU jig base-rail 100	jig base-rail, 100 mm long, for 1 milling jig	1	H-01817-00-0-1
GU FS M 516/416 3.5	Milling jig for 3.5 mm milling depth	1	H-01691-35-0-1
GU FS M 516/416-7	Milling jig for 7.0 mm milling depth	1	H-01691-70-0-1

Milling jigs are suitable for use of Ø 16 mm groove cutter and Ø 27 mm guide-ring.

Please use the order form on page 63 when ordering milling jigs mass-production. These articles are non-returnable.

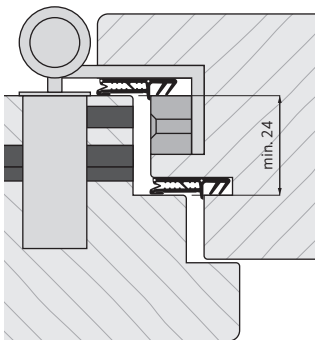
GU M 516 3D – Mill-in hinge

up to 200 kg

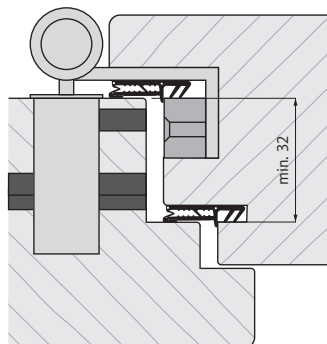


Tool set for GU M 416 3D and GU M 516 3D

Designation	PU	Order number
Tool set GU M 516/416-24	1	H-01693-24-0-1
Tool set GU M 516/416-32	1	H-01693-32-0-1
Available spare parts for tool set GU M 416/516		
Drilling jig GU M 516/416-24 for the drilling-hole pattern on the hinge pocket for 24 mm rebate depth	1	H-01695-24-0-1
Drilling jig GU M 516/416-32 on the hinge pocket for 32 mm rebate depth	1	H-01695-32-0-1
Drill-Ø 5.9 mm	1	H-01696-00-0-0
Hexagon socket 4 mm	1	H-01697-00-0-0
Extraction hook for centre bush GU M516 3D	1	H-01818-00-0-0



Drilling-hole pattern for tool set GU M 516/416-24



Drilling-hole pattern for tool set GU M 516/416-32

Additional accessories: Cover cap – for frame drilling

Designation	Finish	PU	Order number
Cover cap	Transparent	10	H-01746-00-0-0
	Graphite grey	10	H-01746-00-0-1
	Brown	10	H-01746-00-0-5
	White	10	H-01746-00-0-7

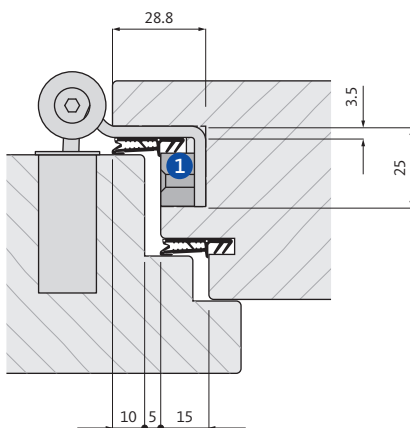
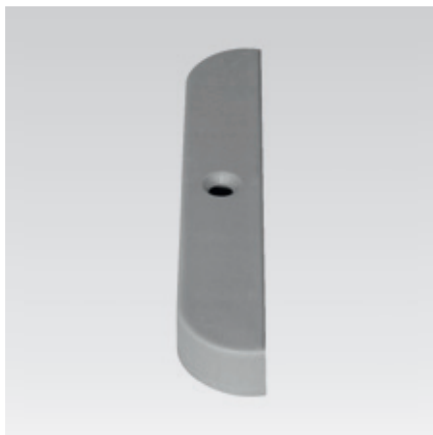
Additional accessories: Spacer plate

Designation	PU	Order number
Spacer plate 3 mm for spanning the hardware groove on the leaf	10	H-01750-00-0-1

For more information, see page 87.

GU M 516 3D – Profile overview

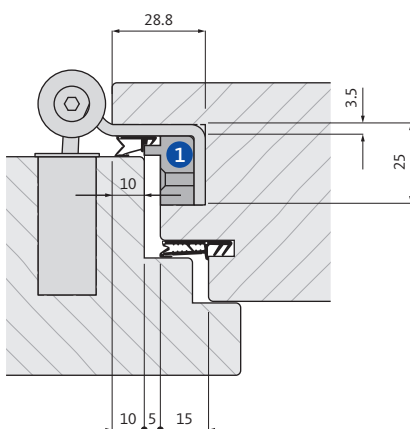
Gasket-guide



15 mm sash overlap 15 mm overlap gasket

1 Gasket-guide

Designation	PU	Order number
GU M 516-15-15 FD	10	H-01664-00-0-1



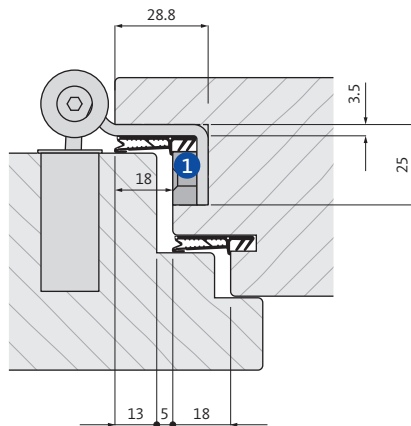
15 mm sash overlap 10 mm overlap gasket

1 Gasket-guide

Designation	PU	Order number
GU M 516-15-10 FD	10	H-01665-00-0-1

GU M 516 3D – Profile overview

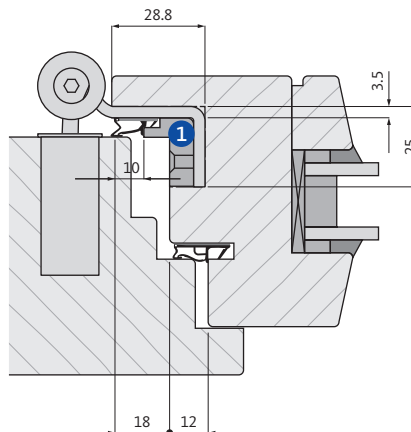
Gasket-guide



18 mm sash overlap 18 mm overlap gasket

1 Gasket-guide

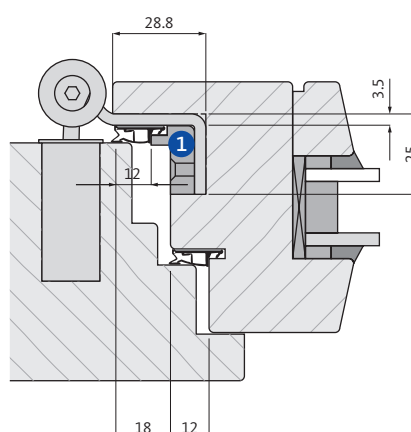
Designation	PU	Order number
GU M 516-18-18 FD	10	H-01666-00-0-1



18 mm sash overlap 10 mm overlap gasket

1 Gasket-guide

Designation	PU	Order number
GU M 516-18-10 FD	10	H-01667-00-0-1



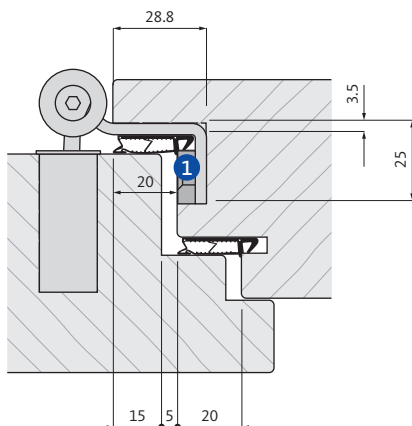
18 mm sash overlap 12 mm overlap gasket

1 Gasket-guide

Designation	PU	Order number
GU M 516-18-12 FD	10	H-01668-00-0-1

GU M 516 3D – Profile overview

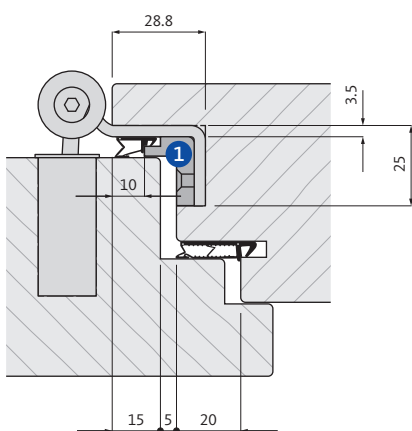
Gasket-guide



**20 mm sash overlap
20 mm overlap gasket**

1 Gasket-guide

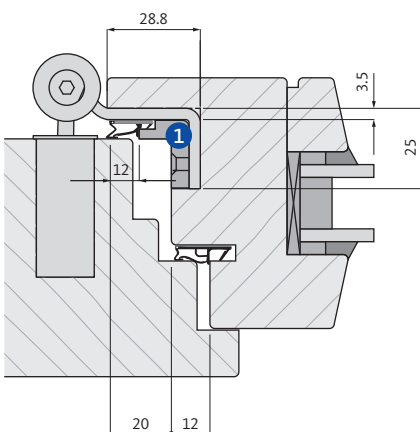
Designation	PU	Order number
GU M 516-20-20 FD	10	H-01669-00-0-1



**20 mm sash overlap
10 mm overlap gasket**

1 Gasket-guide

Designation	PU	Order number
GU M 516-20-10 FD	10	H-01670-00-0-1



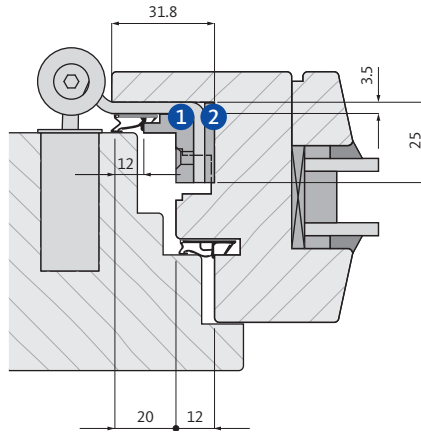
**20 mm sash overlap
12 mm overlap gasket**

1 Gasket-guide

Designation	PU	Order number
GU M 516-20-12 FD	10	H-01671-00-0-1

GU M 516 3D – Profile overview

Gasket-guide with spacer plate



**20 mm sash overlap
12 mm overlap gasket**

1 Gasket-guide

Designation	PU	Order number
GU M 516-20-12 FD	10	H-01671-00-0-1

2 Spacer plate 3 mm

Designation	PU	Order number
Spacer plate 3 mm	10	H-01750-00-0-1



GU M 416 3D – Mill-in hinge

up to 200 kg



**Door-hinge covers
available in
different finishes**



GU M 416 3D – Mill-in hinge

up to 200 kg



RC2

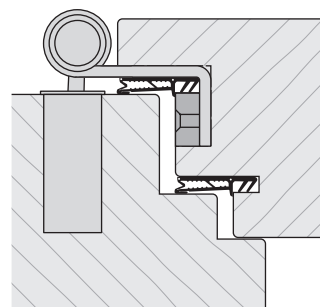
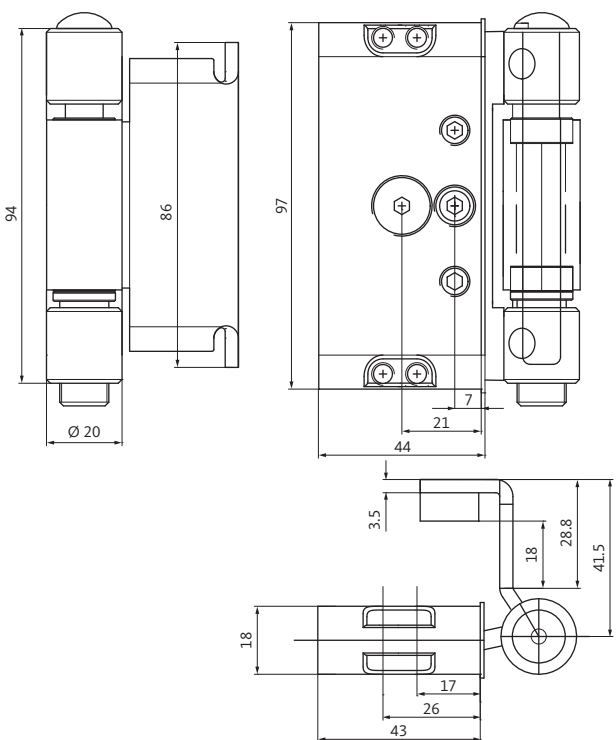
kg
max. 200

CE
Klasse 11



Door-hinge covers available in different finishes

- Increased burglar resistance, with secured pins as standard
- CE-certified according to EN 1935, can be used for doors in escape and rescue routes
- Can be quickly and conveniently adjusted in three dimensions and independently from each other
- Stable, straight hinge seating during and after setting the door hinges
- Individual gasket-guide can be used for almost all rebate systems
- Door-hinge covers available in different finishes



Symbol icon:
with overlap gasket

GU M 416 3D – Mill-in hinge

up to 200 kg



Product information

- Stepless 3D adjustment independent from each other
- Constant distance between hinge rolls after adjustment
- Can be used for innovative door rebate systems with low overlap heights, the sealing level is not interrupted
- Can continuously withstand high loads up to 200 kg
- CE-certified
- Maintenance-free bearing system

Specifications

- Available pre-mounted in DIN LH and DIN RH
- Exterior and interior use

Door-hinge covers



Satin stainless steel



Polished brass



Stainless steel look, painted



White painted (RAL 9016)

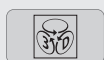


Matt chrome look, painted



Brown painted (RAL 8019)

Adjustment options



- Horizontal adjustment:
± 2.5 mm
- Vertical adjustment:
+ 4 mm / - 2 mm
- Gasket pressure adjustment:
+ 3 mm / - 1 mm

GU M 416 3D – Mill-in hinge

up to 200 kg



GU M 416 3D – Mill-in hinge

Designation	Finish	PU	Order number		
			DIN LH	DIN RH	
GU M 416 3D	without gasket-guide	Bright galvanised	1	H-01661-01-L-1	H-01661-01-R-1
			10	H-01661-10-L-1	H-01661-10-R-1

Gasket-guide for GU M 416 3D

Designation			PU	Order number
GU M 416-15-15 FD	15 mm sash overlap	15 mm overlap gasket	10	H-01664-00-0-1
GU M 416-15-10 FD		10 mm overlap gasket	10	H-01665-00-0-1
GU M 416-18-18 FD	18 mm sash overlap	18 mm overlap gasket	10	H-01666-00-0-1
GU M 416-18-10 FD		10 mm overlap gasket	10	H-01667-00-0-1
GU M 416-18-12 FD		12 mm overlap gasket	10	H-01668-00-0-1
GU M 416-20-20 FD	20 mm sash overlap	20 mm overlap gasket	10	H-01669-00-0-1
GU M 416-20-10 FD		10 mm overlap gasket	10	H-01670-00-0-1
GU M 416-20-12 FD		12 mm overlap gasket	10	H-01671-00-0-1

Please order the GU M 416 gasket-guide according to the profile system. The profile overview can be found on pages 94 – 97.

Product-specific accessories: Mass-production milling jig for GU M 416 3D – frame-side

Designation		PU	Order number
GU jig base-rail 3000, frame-side	jig base-rail, 3000 mm long, with 4 cm grid for 2-5 stop blocks and 2-5 milling jigs	1	H-01680-00-0-1
GU jig base-rail 300, frame-side	jig base-rail, 300 mm long, for 1 stop block and 1 milling jig	1	H-01825-00-0-1
GU FS M 416/516 3D, frame-side	Milling jig for frame-side hinge pocket	1	H-01681-00-0-1
GU FS M 416/516 3D, frame-side	Single milling jig for the frame-side hinge pocket	1	H-01681-00-E-1

Please choose stop blocks for the jig base-rail that are suitable for the rebate system

Designation			PU	Order number
GU TS-AK-15-04	Overlap width 15 mm	Clearance 4 mm	1	H-01682-15-0-1
GU TS-AK-15-05		Clearance 5 mm	1	H-01683-15-0-1
GU TS-AK-18-04	Overlap width 18 mm	Clearance 4 mm	1	H-01684-18-0-1
GU TS-AK-18-05		Clearance 5 mm	1	H-01685-18-0-1
GU TS-AK-18-12		Clearance 12 mm	1	H-01686-18-0-1
GU TS-AK-20-04	Overlap width 20 mm	Clearance 4 mm	1	H-01687-20-0-1
GU TS-AK-20-05		Clearance 5 mm	1	H-01688-20-0-1
GU TS-AK-20-12		Clearance 12 mm	1	H-01689-20-0-1

Please use the order form on page 63 when ordering milling jigs mass-production. These articles are non-returnable.

Product-specific accessories: Mass-production milling jig for GU M 416 3D – leaf-side

Designation		PU	Order number
GU jig base-rail 3000, leaf-side	jig base-rail, 3000 mm long, with 4 cm grid for 2-5 milling jigs	1	H-01690-00-0-1
GU jig base-rail 100	jig base-rail, 100 mm long, for 1 milling jig	1	H-01817-00-0-1
GU FS M 416/516 3.5	Milling jig for 3.5 mm milling depth	1	H-01691-35-0-1
GU FS M 416/516-7	Milling jig for 7.0 mm milling depth	1	H-01691-70-0-1

Milling jigs are suitable for use of Ø 16 mm groove cutter and Ø 27 mm guide-ring.

Please use the order form on page 63 when ordering milling jigs mass-production. These articles are non-returnable.

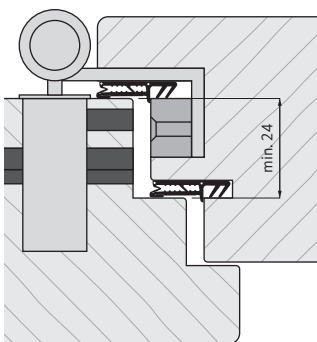
GU M 416 3D – Mill-in hinge

up to 200 kg

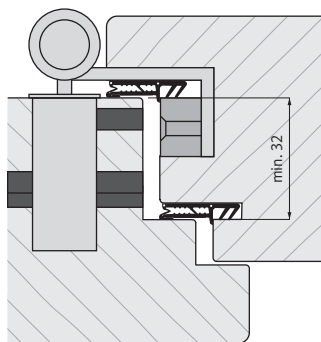


Tool set for GU M 416 3D and GU M 516 3D

Designation		PU	Order number
Tool set GU M 416/516-24	Tool set for hinge-pocket, 24 mm rebate depth	1	H-01693-24-0-1
Tool set GU M 416/516-32	Tool set for hinge-pocket, 32 mm rebate depth	1	H-01693-32-0-1
Available spare parts for tool set GU M 416/516			
Drilling jig GU M 416/516-24 on the hinge pocket for 24 mm rebate depth		1	H-01695-24-0-1
Drilling jig GU M 416/516-32 on the hinge pocket for 32 mm rebate depth		1	H-01695-32-0-1
Drill-Ø 5.9 mm		1	H-01696-00-0-0
Hexagon socket 4 mm		1	H-01697-00-0-0



Drilling-hole pattern for tool set GU M 416/516-24



Drilling-hole pattern for tool set GU M 416/516-32

Additional accessories: Cover cap – for frame drilling

Designation	Finish	PU	Order number
Cover cap	Transparent	10	H-01746-00-0-0
	Graphite grey	10	H-01746-00-0-1
	Brown	10	H-01746-00-0-5
	White	10	H-01746-00-0-7

Additional accessories: Spacer plate

Designation	PU	Order number
Spacer plate 3 mm for spanning the hardware groove on the leaf	10	H-01750-00-0-1

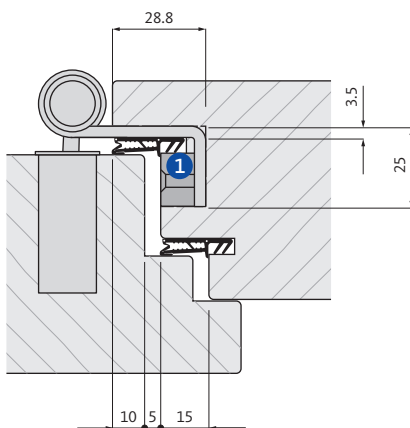
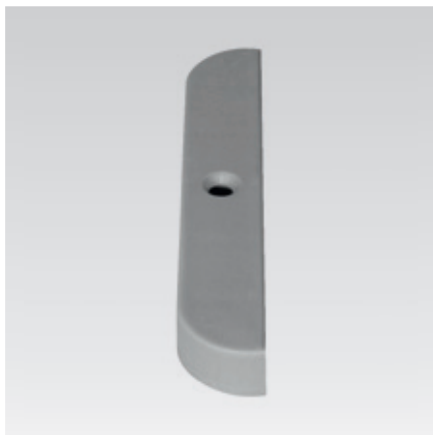
For more information, see page 97.

Additional accessories: Door-hinge cover

Designation	Finish	PU	Order number
GU M AH 416 stainless steel	Satin stainless steel	10	H-01751-00-0-8
GU M AH 416 plastic	Brown (RAL 8019)	10	H-01751-00-0-5
	Matt chrome look, painted	10	H-01751-00-0-1
	Brass colour polished	10	H-01751-00-0-3
	White (RAL 9016)	10	H-01751-00-0-7
	Stainless steel look, painted	10	H-01751-00-0-8P

GU M 416 3D – Profile overview

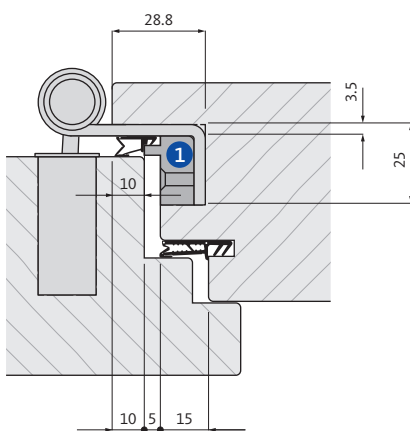
Gasket-guide



15 mm sash overlap 15 mm overlap gasket

1 Gasket-guide

Designation	PU	Order number
GU M 416-15-15 FD	10	H-01664-00-0-1



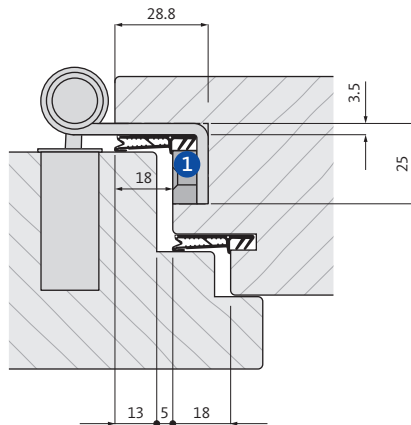
15 mm sash overlap 10 mm overlap gasket

1 Gasket-guide

Designation	PU	Order number
GU M 416-15-10 FD	10	H-01665-00-0-1

GU M 416 3D – Profile overview

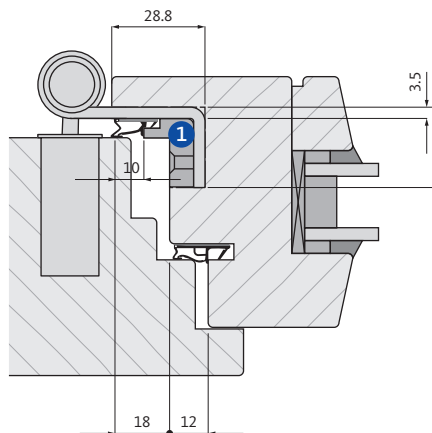
Gasket-guide



18 mm sash overlap 18 mm overlap gasket

1 Gasket-guide

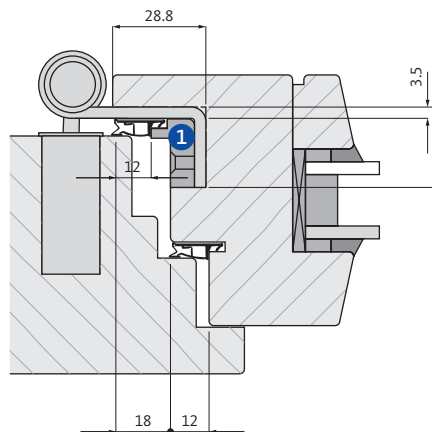
Designation	PU	Order number
GU M 416-18-18 FD	10	H-01666-00-0-1



18 mm sash overlap 10 mm overlap gasket

1 Gasket-guide

Designation	PU	Order number
GU M 416-18-10 FD	10	H-01667-00-0-1



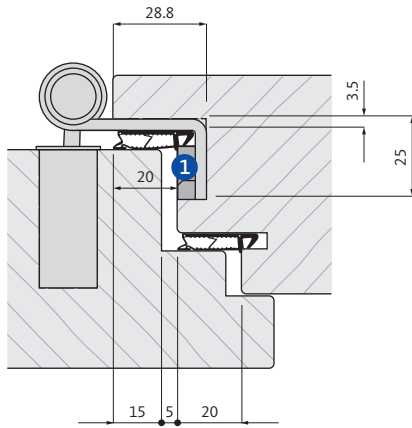
18 mm sash overlap 12 mm overlap gasket

1 Gasket-guide

Designation	PU	Order number
GU M 416-18-12 FD	10	H-01668-00-0-1

GU M 416 3D – Profile overview

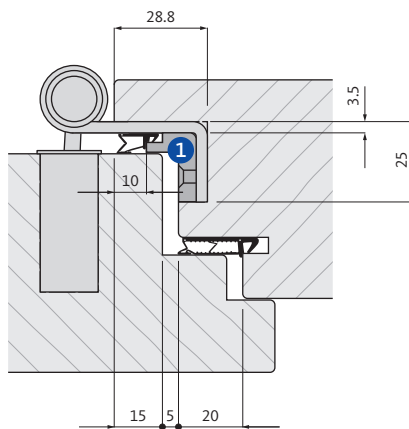
Gasket-guide



**20 mm sash overlap
20 mm overlap gasket**

1 Gasket-guide

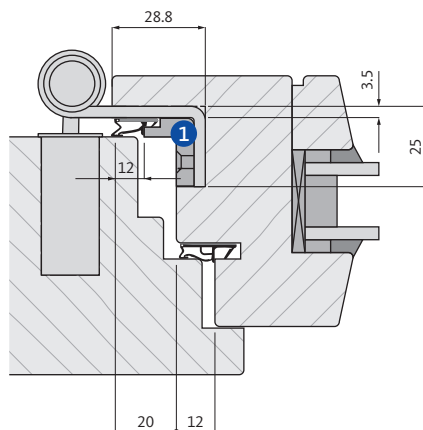
Designation	PU	Order number
GU M 416-20-20 FD	10	H-01669-00-0-1



**20 mm sash overlap
10 mm overlap gasket**

1 Gasket-guide

Designation	PU	Order number
GU M 416-20-10 FD	10	H-01670-00-0-1



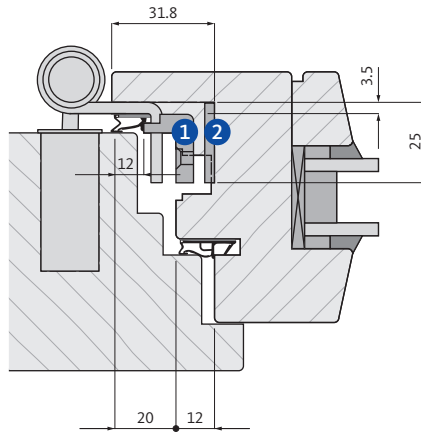
**20 mm sash overlap
12 mm overlap gasket**

1 Gasket-guide

Designation	PU	Order number
GU M 416-20-12 FD	10	H-01671-00-0-1

GU M 416 3D – Profile overview

Gasket-guide with spacer plate



**20 mm sash overlap
12 mm overlap gasket**

1 Gasket-guide

Designation	PU	Order number
GU M 416-20-12 FD	10	H-01671-00-0-1

2 Spacer plate 3 mm

Designation	PU	Order number
Spacer plate 3 mm	10	H-01750-00-0-1



**Quickly
installed**



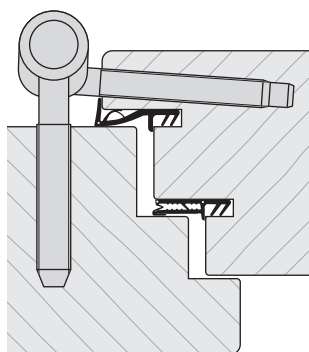
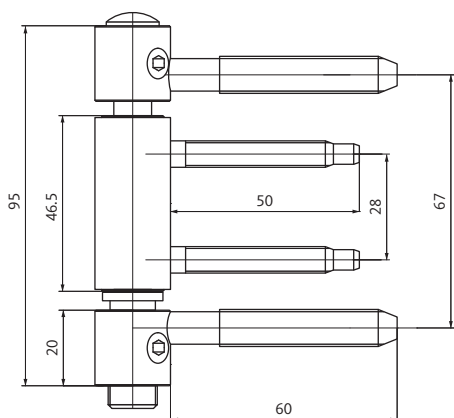
GU D 312-20 3D – Drill-in hinge

up to 120 kg, hinge \varnothing 20 mm, 3-part

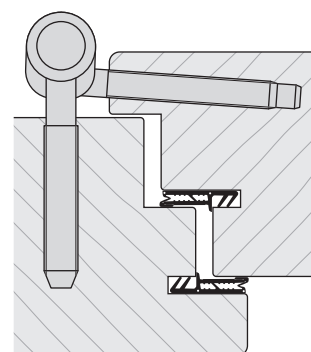


Quickly installed

- Simple application
- Fast installation
- Can be quickly adjusted in three dimensions
- Stable hinge seating during and after setting the door hinges
- Developed also for use with small overlap heights



Symbol icon:
with overlap gasket



Symbol icon:
without overlap gasket

GU D 312-20 3D – Drill-in hinge

up to 120 kg, hinge ø 20 mm, 3-part



Product information

- Timber elements with low overlap height and overlap gasket
- Door-hinge covers available in different finishes
- With secured pins as standard
- Comfortable 3D adjustment
- Maintenance-free bearing system

Specifications

- Available pre-mounted in DIN LH and DIN RH
- Exterior and interior use

Technical data

- Hinge ø 20 mm
- Length of roll 95 mm
- Leaf pins 7.0 x 50 mm
- Frame pins 9.8 x 60 mm

Adjustment options



- Horizontal adjustment:
± 4 mm
- Vertical adjustment:
+ 3 mm / - 2.5 mm
- Gasket pressure adjustment:
± 4 mm

GU D 312-20 3D – Drill-in hinge

up to 120 kg, hinge ø 20 mm, 3-part



GU D 312-20 3D – Drill-in hinge

Designation	Finish	PU	Order number	
			DIN LH	DIN RH
GU D 312-20 3D with secured pins	Bright galvanised	10	H-01701-00-L-1	H-01701-00-R-1

Product-specific accessories: Tool set for GU D 312-20 3D

Designation	PU	Order number
Tool set GU D 312-20 3D	1	H-01702-00-0-0
Articles included in the tool set		
Drilling jig for GU D 312-20 without accessories	1	H-01703-00-0-0
Turning crank	1	H-01704-00-0-0
Crank insert for 20 mm Ø with plastic lining	1	H-01705-00-0-0
Drill-Ø 5.8 mm	1	H-01706-00-0-0
Adjusting ring 6.5 mm	1	H-01707-00-0-0
Stepped drill Ø 8.7 mm	1	H-01708-00-0-0
Adjusting ring 9.2 mm	1	H-01709-00-0-0
Allen key, size 5, short	1	H-01710-00-0-0

GU D 312-20 3D – Drill-in hinge

up to 120 kg, hinge ø 20 mm, 3-part



Mass-production drilling jig for GU D 312-20 3D – frame-side

Designation		PU	Order number	
GU jig base-rail 3000, frame-side	Jig base-rail, 3000 mm long, with 4 cm grid for 2-5 stop blocks and drilling jigs	1	H-01680-00-0-1	
GU BK D 312-20 3D RA	Drilling jigs for the frame	1	H-01716-00-0-0	
Please choose stop blocks for the jig base-rail that are suitable for the required rebate system				
GU TS-AK-15-04	Overlap width 15 mm	Clearance 4 mm	1	H-01682-15-0-1
GU TS-AK-15-05		Clearance 5 mm	1	H-01683-15-0-1
GU TS-AK-18-04	Overlap width 18 mm	Clearance 4 mm	1	H-01684-18-0-1
GU TS-AK-18-05		Clearance 5 mm	1	H-01685-18-0-1
GU TS-AK-18-12		Clearance 12 mm	1	H-01686-18-0-1
GU TS-AK-20-04	Overlap width 20 mm	Clearance 4 mm	1	H-01687-20-0-1
GU TS-AK-20-05		Clearance 5 mm	1	H-01688-20-0-1
GU TS-AK-20-12		Clearance 12 mm	1	H-01689-20-0-1

Mass-production drilling jig for GU D 312-20 3D – leaf-side

Designation		PU	Order number
GU jig base-rail 3000, leaf-side	Jig base-rail, 3000 mm long, with 4 cm grid for 2-5 drilling jigs	1	H-01690-00-0-1
GU BK D 312-20 3D FL FD	Drilling jigs for leaf, with gasket in the overlap	1	H-01777-00-0-0
GU BK D 312-20 3D FL OD	Drilling jigs for leaf, without gasket in the overlap	1	H-01778-00-0-0

Additional accessories: Door-hinge cover

Designation	Finish	PU	Order number
AH-GU D 312-20 3D plastic	Matt chrome look, painted	10	H-01764-00-0-1
	Brown (RAL 8019)	10	H-01764-00-0-5
	White (RAL 9016)	10	H-01764-00-0-7
	Stainless steel look, painted	10	H-01764-00-0-8P

GU D 312-16 3D – Drill-in hinge

up to 120 kg, hinge \varnothing 16 mm, 3-part



kg
max. 120

Product information

- Timber elements with particularly low overlap height and overlap gasket
- Can also be used on narrow leaf frames
- With secured pins as standard
- Comfortable 3D adjustment
- Maintenance-free bearing system

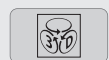
Specifications

- Available pre-mounted in DIN LH and DIN RH
- Exterior and interior use

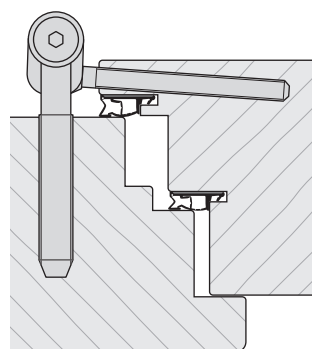
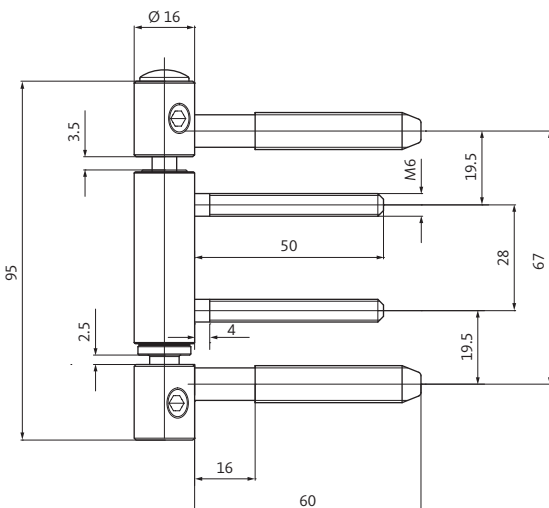
Technical data

- Hinge \varnothing 16 mm
- Length of roll 95 mm
- Sash pins 6.0 x 50 mm
- Frame pins 9.8 x 60 mm

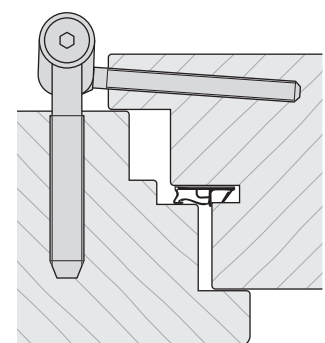
Adjustment options



- Horizontal adjustment: ± 4 mm
- Vertical adjustment: $+ 3$ mm / $- 2.5$ mm
- Gasket pressure adjustment: ± 4 mm



Symbol icon:
with overlap gasket



Symbol icon:
without overlap gasket

GU D 312-16 3D – Drill-in hinge

up to 120 kg, hinge ø 16 mm, 3-part



GU D 312-16 3D – Drill-in hinge

Designation	Finish	PU	Order number	
			DIN LH	DIN RH
GU D 312-16 3D with secured pins	Bright galvanised	10	H-01700-00-L-1	H-01700-00-R-1

Product-specific accessories: Tool set for GU D 312-16 3D

Designation	PU	Order number
Tool set GU D 312-16 3D	1	H-01712-00-0-0
Articles included in the tool set		
Drilling jig for GU D 312-16 3D without accessories	1	H-01713-00-0-0
Turning crank	1	H-01704-00-0-0
Crank insert for 16 mm ø with plastic lining	1	H-01714-00-0-0
Drill-ø 5.0 mm	1	H-01715-00-0-0
Adjusting ring 6.5 mm	1	H-01706-00-0-0
Stepped drill ø 8.7 mm	1	H-01707-00-0-0
Adjusting ring 9.2 mm	1	H-01709-00-0-0
Allen key, size 5, short	1	H-01710-00-0-0

Product-specific accessories: Mass-production drilling jig for GU D 312-16 3D – frame-side

Designation	PU	Order number		
GU jig base-rail 3000, frame-side	1	H-01680-00-0-1		
GU BK D 312-16 3D RA	1	H-01717-00-0-0		
Please choose stop blocks for the jig base-rail that are suitable for the required rebate system				
GU TS-AK-15-04	Overlap width 15 mm	Clearance 4 mm	1	H-01682-15-0-1
GU TS-AK-15-05		Clearance 5 mm	1	H-01683-15-0-1
GU TS-AK-18-04	Overlap width 18 mm	Clearance 4 mm	1	H-01684-18-0-1
GU TS-AK-18-05		Clearance 5 mm	1	H-01685-18-0-1
GU TS-AK-18-12		Clearance 12 mm	1	H-01686-18-0-1
GU TS-AK-20-04	Overlap width 20 mm	Clearance 4 mm	1	H-01687-20-0-1
GU TS-AK-20-05		Clearance 5 mm	1	H-01688-20-0-1
GU TS-AK-20-12		Clearance 12 mm	1	H-01689-20-0-1

Product-specific accessories: Mass-production drilling jig for GU D 312-16 3D – leaf-side

Designation	PU	Order number
GU jig base-rail 3000, leaf-side	1	H-01690-00-0-1
GU BK D 312-16 3D FL FD	1	H-01718-00-0-0
GU BK D 312-16 3D FL OD	1	H-01719-00-0-0

Additional accessories: Door-hinge cover

Designation	Finish	PU	Order number
AH-GU D 312-16 plastic	Matt chrome look, painted	10	H-01768-00-0-1
	Brown RAL 8019	10	H-01768-00-0-5
	White (RAL 9016)	10	H-01768-00-0-7
	Stainless steel look, painted	10	H-01768-00-0-8P

GU D 215-20 3D – Drill-in hinge

up to 150 kg, hinge \varnothing 20 mm, 2-part



Product information

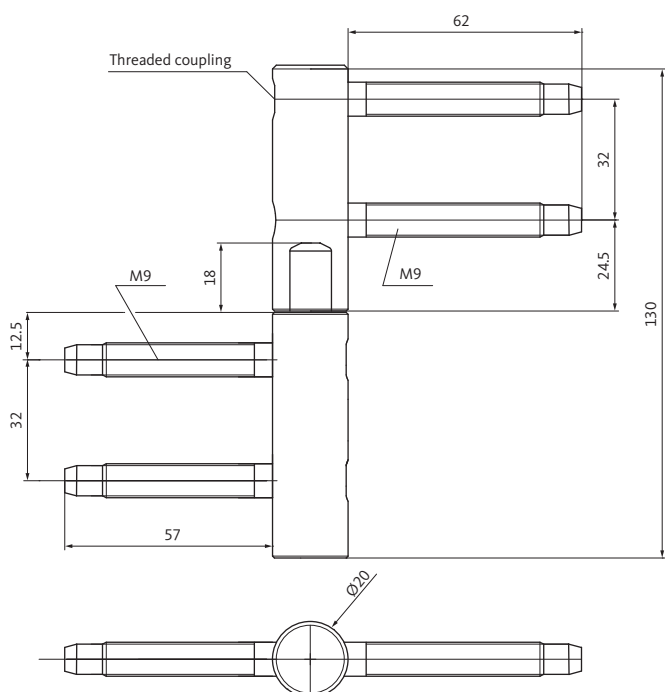
- For rebated timber elements, can also be used on narrow leaf frames
- Durable fixing using two threaded bolts respectively
- With threaded coupling as standard; additional threaded coupling on top threaded bolt to stabilise the door hinge
- Comfortable 3D adjustment
- Maintenance-free bearing system

Specifications

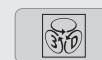
- Exterior and interior use

Technical data

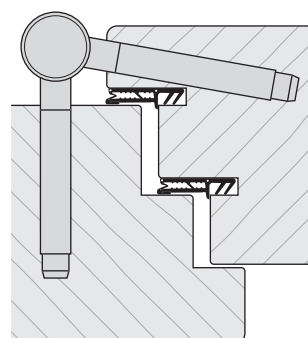
- Hinge \varnothing 20 mm
- Length of roll 130 mm
- Sash pins 9.0 x 62 mm
- Frame pins 9.0 x 57 mm



Adjustment options



- Horizontal adjustment: \pm 4 mm
- Vertical adjustment: + 3 mm / - 2 mm
- Gasket pressure adjustment: \pm 4 mm



Symbol icon:
with overlap gasket

GU D 215-20 3D – Drill-in hinge

up to 150 kg, hinge ø 20 mm, 2-part



GU D 215-20 3D – Drill-in hinge

Designation	Finish	PU	Order number
GU D 215-20 3D	Bright galvanised	10	H-01738-00-0-1

Product-specific accessories: Tool set for GU D 215-20 3D

Designation	PU	Order number
Tool set GU D 215-20 3D	1	H-01739-00-0-0
Articles included in the tool set		
Drilling jig for GU D 215-20 3D without accessories	1	H-01740-00-0-0
Distance template for the frame part	1	H-01730-00-0-0
Drill-Ø 8.0 mm	1	H-01741-00-0-0
Adjusting ring 8.1 mm	1	H-01742-00-0-0
Adjusting ring 9.2 mm	1	H-01709-00-0-0
Allen key, size 5, short	1	H-01710-00-0-0

Product-specific accessories: Mass-production drilling jig for GU D 215-20 3D – frame-side

Designation	PU	Order number		
GU jig base-rail 3000, frame-side	1	H-01680-00-0-1		
GU BK D 215-20 3D RA	1	H-01743-00-0-0		
Please choose stop blocks for the jig base-rail that are suitable for the required rebate system				
GU TS-AK-15-04	Overlap width 15 mm	Clearance 4 mm	1	H-01682-15-0-1
GU TS-AK-15-05		Clearance 5 mm	1	H-01683-15-0-1
GU TS-AK-18-04	Overlap width 18 mm	Clearance 4 mm	1	H-01684-18-0-1
GU TS-AK-18-05		Clearance 5 mm	1	H-01685-18-0-1
GU TS-AK-18-12		Clearance 12 mm	1	H-01686-18-0-1
GU TS-AK-20-04	Overlap width 20 mm	Clearance 4 mm	1	H-01687-20-0-1
GU TS-AK-20-05		Clearance 5 mm	1	H-01688-20-0-1
GU TS-AK-20-12		Clearance 12 mm	1	H-01689-20-0-1

Product-specific accessories: Mass-production drilling jig for GU D 215-20 3D – leaf-side

Designation	PU	Order number
GU jig base-rail 3000, leaf-side	1	H-01690-00-0-1
GU BK D 215-20 3D FL FD	1	H-01744-00-0-0
GU BK D 215-20 3D FL OD	1	H-01745-00-0-0

Additional accessories: Door-hinge cover

Designation	Finish	PU	Order number
AH-GU D 215-20 plastic	Matt chrome look, painted	10	H-01776-00-0-1
	Brown (RAL 8019)	10	H-01776-00-0-5
	White (RAL 9016)	10	H-01776-00-0-7
	Stainless steel look, painted	10	H-01776-00-0-8P

GU D 212-17 3D – Drill-in hinge

up to 120 kg, plugs \varnothing 17 mm, 2-part



Product information

- For rebated timber elements
- Durable fixing using two threaded bolts respectively
- With threaded coupling as standard; additional threaded coupling on top threaded bolt to stabilise the door hinge
- Comfortable 3D adjustment
- Maintenance-free bearing system

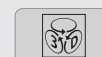
Specifications

- Exterior and interior use

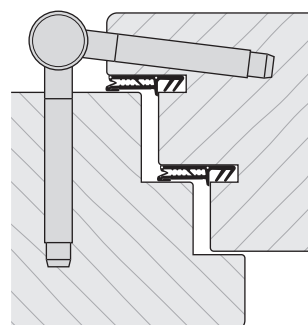
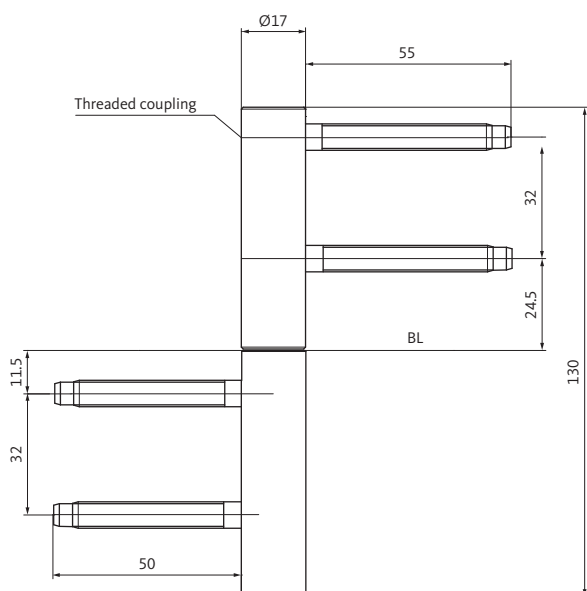
Technical data

- Hinge \varnothing 17 mm
- Length of roll 130 mm
- Sash pins 8.0 x 55 mm
- Frame pins 8.0 x 50 mm

Adjustment options



- Horizontal adjustment: \pm 4 mm
- Vertical adjustment: + 2.5 mm / - 2 mm
- Gasket pressure adjustment: \pm 4 mm



Symbol icon:
with overlap gasket

GU D 212-17 3D – Drill-in hinge

up to 120 kg, plugs ø 17 mm, 2-part



GU D 212-17 3D – Drill-in hinge

Designation	Finish	PU	Order number
GU D 212-17 3D	Bright galvanised	10	H-01727-00-0-1

Product-specific accessories: Tool set for GU D 212-17 3D

Designation	PU	Order number
Tool set GU D 212-17 3D	1	H-01728-00-0-0
Articles included in the tool set		
Drilling jig for GU D 212-17 3D without accessories	1	H-01729-00-0-0
Distance template for the frame part	1	H-01730-00-0-0
Drill-Ø 7.0 mm	1	H-01731-00-0-0
Adjusting ring 7.1 mm	1	H-01732-00-0-0
Allen key, size 5	1	H-01733-00-0-0
Adjusting ring 9.2 mm	1	H-01709-00-0-0
Allen key, size 5, short	1	H-01710-00-0-0

Product-specific accessories: Mass-production drilling jig for GU D 212-17 3D – frame-side

Designation	PU	Order number		
GU jig base-rail 3000, frame-side	1	H-01680-00-0-1		
GU BK D 212-17 3D RA	1	H-01734-00-0-0		
Please choose stop blocks for the jig base-rail that are suitable for the required rebate system				
GU TS-AK-15-04	Overlap width 15 mm	Clearance 4 mm	1	H-01682-15-0-1
GU TS-AK-15-05		Clearance 5 mm	1	H-01683-15-0-1
GU TS-AK-18-04	Overlap width 18 mm	Clearance 4 mm	1	H-01684-18-0-1
GU TS-AK-18-05		Clearance 5 mm	1	H-01685-18-0-1
GU TS-AK-18-12		Clearance 12 mm	1	H-01686-18-0-1
GU TS-AK-20-04	Overlap width 20 mm	Clearance 4 mm	1	H-01687-20-0-1
GU TS-AK-20-05		Clearance 5 mm	1	H-01688-20-0-1
GU TS-AK-20-12		Clearance 12 mm	1	H-01689-20-0-1

Product-specific accessories: Mass-production drilling jig for GU D 212-17 3D – leaf-side

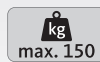
Designation	PU	Order number
GU jig base-rail 3000, leaf-side	1	H-01690-00-0-1
GU BK D 212-17 3D FL FD	1	H-01735-00-0-0
GU BK D 212-17 3D FL OD	1	H-01736-00-0-0

Additional accessories: Door-hinge cover

Designation	Finish	PU	Order number
AH-GU D 212-17 plastic	Matt chrome look, painted	10	H-01760-00-0-1
	Brown (RAL 8019)	10	H-01760-00-0-5
	White (RAL 9016)	10	H-01760-00-0-7
	Stainless steel look, painted	10	H-01760-00-0-8P

GU D 115-20 3D – Drill-in hinge

up to 150 kg, hinge \varnothing 20 mm, 3-part



Product information

- 3-part hinges for rebated timber elements
- With secured pins as standard
- Door-hinge covers available in different finishes
- Comfortable 3D adjustment
- Maintenance-free bearing system

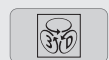
Specifications

- Available pre-mounted in DIN LH and DIN RH

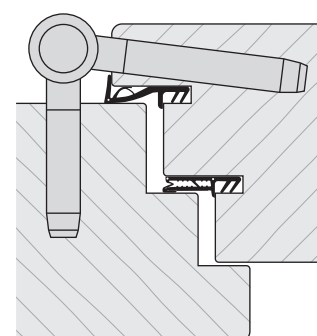
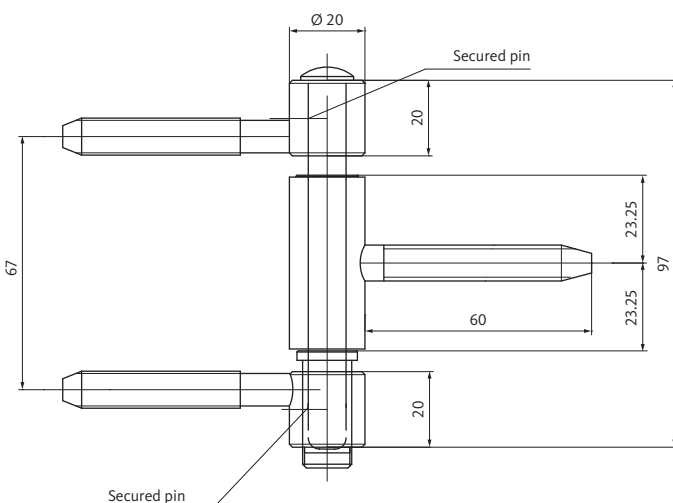
Technical data

- Hinge \varnothing 20 mm
- Length of roll 95 mm
- Sash pins 9.8 x 60 mm
- Frame pins 9.8 x 60 mm

Adjustment options



- Horizontal adjustment: ± 4 mm
- Vertical adjustment: $+ 3$ mm / $- 2.5$ mm
- Gasket pressure adjustment: ± 4 mm



Symbol icon:
with overlap gasket

GU D 115-20 3D – Drill-in hinge

up to 150 kg, hinge ø 20 mm, 3-part



GU D 115-20 3D – Drill-in hinge

Designation	Finish	PU	Order number	
			DIN LH	DIN RH
GU D 115-20 3D with secured pins	Bright galvanised	10	H-01724-00-L-1	H-01724-00-R-1

Product-specific accessories: Tool set for GU D 115-20 3D

Designation	PU	Order number
Tool set GU D 115-20 3D	1	H-01698-00-0-0
Articles included in the tool set		
Drilling jig for GU D 115-20 3D without accessories	1	H-01699-00-0-0
Turning crank	1	H-01704-00-0-0
Crank insert for 20 mm ø with plastic lining	1	H-01705-00-0-0
Stepped drill ø 8.7 mm	1	H-01708-00-0-0
Adjusting ring 9.2 mm	1	H-01709-00-0-0

Additional accessories: Door-hinge cover

Designation	Finish	PU	Order number
AH-GU D 115-20 3D plastic	Matt chrome look, painted	10	H-01751-00-0-1
	Brown (RAL 8019)	10	H-01751-00-0-5
	White (RAL 9016)	10	H-01751-00-0-7
	Stainless steel look, painted	10	H-01751-00-0-8P

GU D 111-16 3D – Drill-in hinge

up to 110 kg, hinge \varnothing 16 mm, 3-part



Product information

- 3-part hinges for rebated timber elements
- With secured pins as standard
- Door-hinge covers available in different finishes
- Comfortable 3D adjustment
- Maintenance-free bearing system

Specifications

- Available pre-mounted in DIN LH and DIN RH

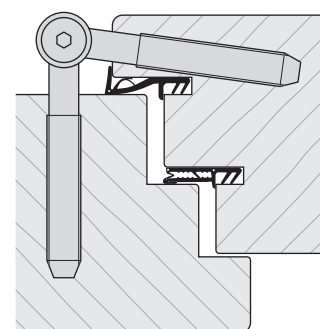
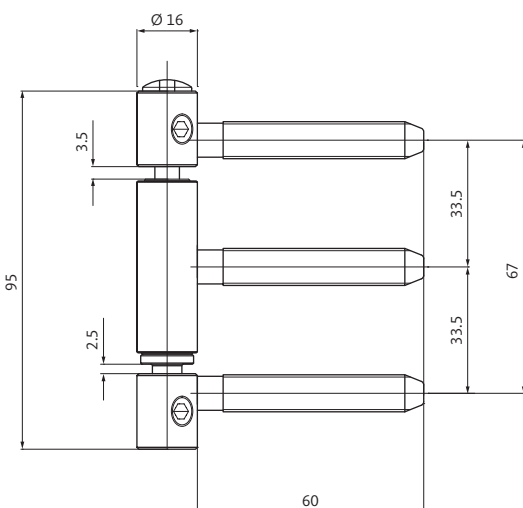
Technical data

- Hinge \varnothing 16 mm
- Length of roll 95 mm
- Sash pins 9.8 x 60 mm
- Frame pins 9.8 x 60 mm

Adjustment options



- Horizontal adjustment: ± 4 mm
- Vertical adjustment: $+ 3$ mm / $- 2.5$ mm
- Gasket pressure adjustment: ± 4 mm



Symbol icon:
with overlap gasket

GU D 111-16 3D – Drill-in hinge

up to 110 kg, hinge ø 16 mm, 3-part



GU D 111-16 3D – Drill-in hinge

Designation	Finish	PU	Order number	
			DIN LH	DIN RH
GU D 111-16 3D with secured pins	Bright galvanised	10	H-01725-00-L-1	H-01725-00-R-1

Product-specific accessories: Tool set for GU D 111-16 3D

Designation	PU	Order number
Tool set GU D 111-16 3D	1	H-01726-00-0-0
Articles included in the tool set		
Drilling jig for GU D 111-16 3D without accessories	1	H-01737-00-0-0
Turning crank	1	H-01704-00-0-0
Crank insert for 16 mm ø	1	H-01714-00-0-0
Stepped drill ø 8.7 mm	1	H-01708-00-0-0
Adjusting ring 9.2 mm	1	H-01709-00-0-0

Additional accessories: Door-hinge cover

Designation	Finish	PU	Order number
AH-GU D 111-16 3D plastic	Matt chrome look, painted	10	H-01772-00-0-1
	Brown (RAL 8019)	10	H-01772-00-0-5
	White (RAL 9016)	10	H-01772-00-0-7
	Stainless steel look, painted	10	H-01772-00-0-8P

GU D 111-20 – Drill-in hinge

up to 110 kg, hinge \varnothing 20 mm, 3-part



Product information

- 3-part hinges for rebated timber elements
- 2D adjustable
- Door-hinge covers available in different finishes
- Maintenance-free bearing system

Materials

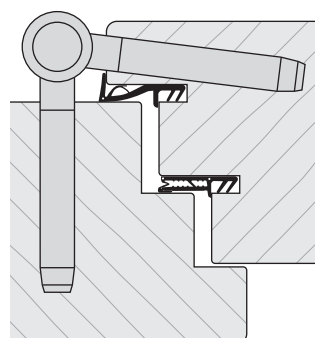
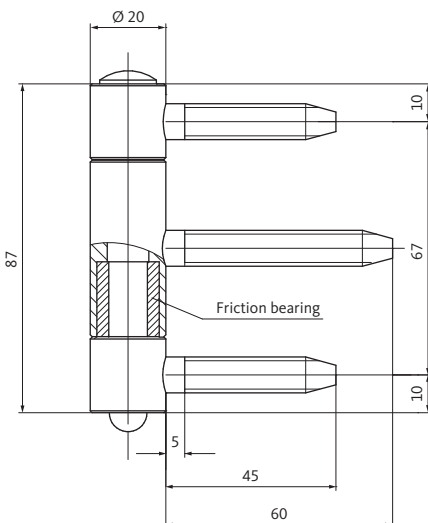
- Optional stainless steel hinge components

Specifications

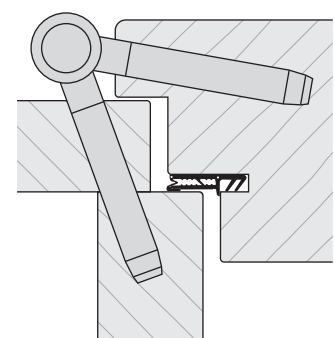
- Optionally with secured pins

Technical data

- Hinge \varnothing 20 mm
- Length of roll 95 mm
- Sash pins 9.8 x 60 mm
- Frame pins 9.8 x 45 mm



Symbol icon:
with overlap gasket



Symbol icon:
as liner doors

GU D 111-20 – Drill-in hinge

up to 110 kg, hinge ø 20 mm, 3-part



GU D 111-20 – Drill-in hinge

Designation	Finish	PU	Order number
GU-D 111-20	Stainless steel	10	H-01672-00-0-8
GU D 111-20 with secured pins		10	H-01673-00-0-8
GU-D 111-20	Bright galvanised	10	H-01674-00-0-1
GU D 111-20 with secured pins		10	H-01675-00-0-1

Product-specific accessories: Tool set for GU D 111-20

Designation	PU	Order number
Tool set GU D 111-20	1	H-01698-00-0-0
Articles included in the tool set		
Drilling jig for GU D 111-20 without accessories	1	H-01699-00-0-0
Turning crank	1	H-01704-00-0-0
Crank insert for 20 mm ø with plastic lining	1	H-01705-00-0-0
Stepped drill ø 8.7 mm	1	H-01708-00-0-0
Adjusting ring 9.2 mm	1	H-01709-00-0-0

Additional accessories: Door-hinge cover

Designation	Finish	PU	Order number
AH-GU D 111-20 plastic	Matt chrome look, painted	10	H-01751-00-0-1
	Brown (RAL 8019)	10	H-01751-00-0-5
	White (RAL 9016)	10	H-01751-00-0-7
	Stainless steel look, painted	10	H-01751-00-0-8P

GU D 106-15 – Drill-in hinge

up to 60 kg, hinge \varnothing 15 mm, 3-part



Product information

- 3-part hinges for rebated timber elements
- 2D adjustable
- Maintenance-free bearing system

Materials

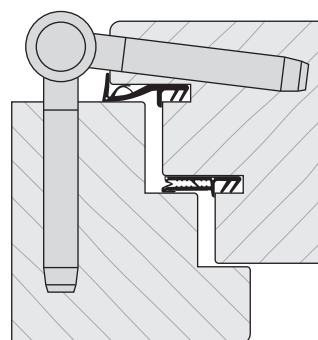
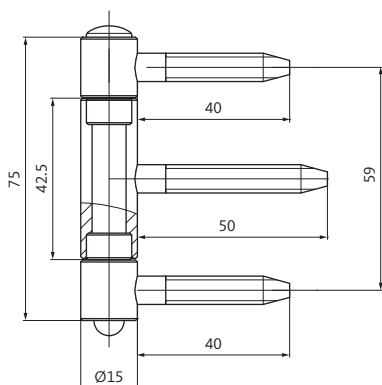
- Optional stainless steel hinge components

Specifications

- Optionally with secured pins

Technical data

- Hinge \varnothing 15 mm
- Length of roll 75 mm
- Sash pins 7.7 x 50 mm
- Frame pins 7.7 x 40 mm



Symbol icon:
with overlap gasket

GU D 106-15 – Drill-in hinge

up to 60 kg, hinge ø 15 mm, 3-part



GU D 106-15 – Drill-in hinge

Designation	Finish	PU	Order number
GU-D 106-15	Stainless steel	40	H-01676-00-0-8
GU D 106-15 with secured pins		40	H-01677-00-0-8
GU-D 106-15	Bright galvanised	40	H-01678-00-0-1
GU D 106-15 with secured pins		40	H-01679-00-0-1

Product-specific accessories: Tool set for GU D 106-15

Designation	PU	Order number
Tool set GU D 106-15	1	H-01720-00-0-0
Articles included in the tool set		
Drilling jig for GU D 106-15 without accessories	1	H-01721-00-0-0
Turning crank	1	H-01704-00-0-0
Crank insert for 16 mm Ø with plastic lining	1	H-01714-00-0-0
Stepped drill Ø 7.2 mm	1	H-01722-00-0-0
Adjusting ring 7.2 mm	1	H-01732-00-0-0





3 Door hinges for metal elements

3.1 Screw-on hinges for doors with high loads

GU A 316 3D – Screw-on hinge	for doors up to 160 kg	121
GU A 316 3D FV – Screw-on hinge with 10 mm surface offset	for doors up to 160 kg	126
GU A 312 3D – Screw-on hinge	for doors up to 120 kg	128
GU A 312 3D FV – Screw-on hinge with 10 mm surface offset	for doors up to 120 kg	130
GU AM 216 3D – Screw-on hinge 2-part, hole spacing 67 mm	for doors up to 160 kg	132
GU AM 316 3D – Screw-on hinge 3-part, hole spacing 67 mm	for doors up to 160 kg	136
GU AW 216 3D – Screw-on hinge 2-part, hole spacing 67 mm / 92 mm / 63 mm – 90°	for doors up to 160 kg	140
GU AW 316 3D – Screw-on hinge 3-part, hole spacing 67 mm / 92 mm / 63 mm – 90°	for doors up to 160 kg	144
ALU-JET S800 Turn-Only hinge	for doors up to 300 kg	148

3.2 Screw-on hinges for Bottom-Hung, Top-Hung and Side-Hung sashes

Hinges for flush aluminium profile systems	for doors up to 130 kg	150
Hinges for flush aluminium profile systems	for doors up to 80 kg	152

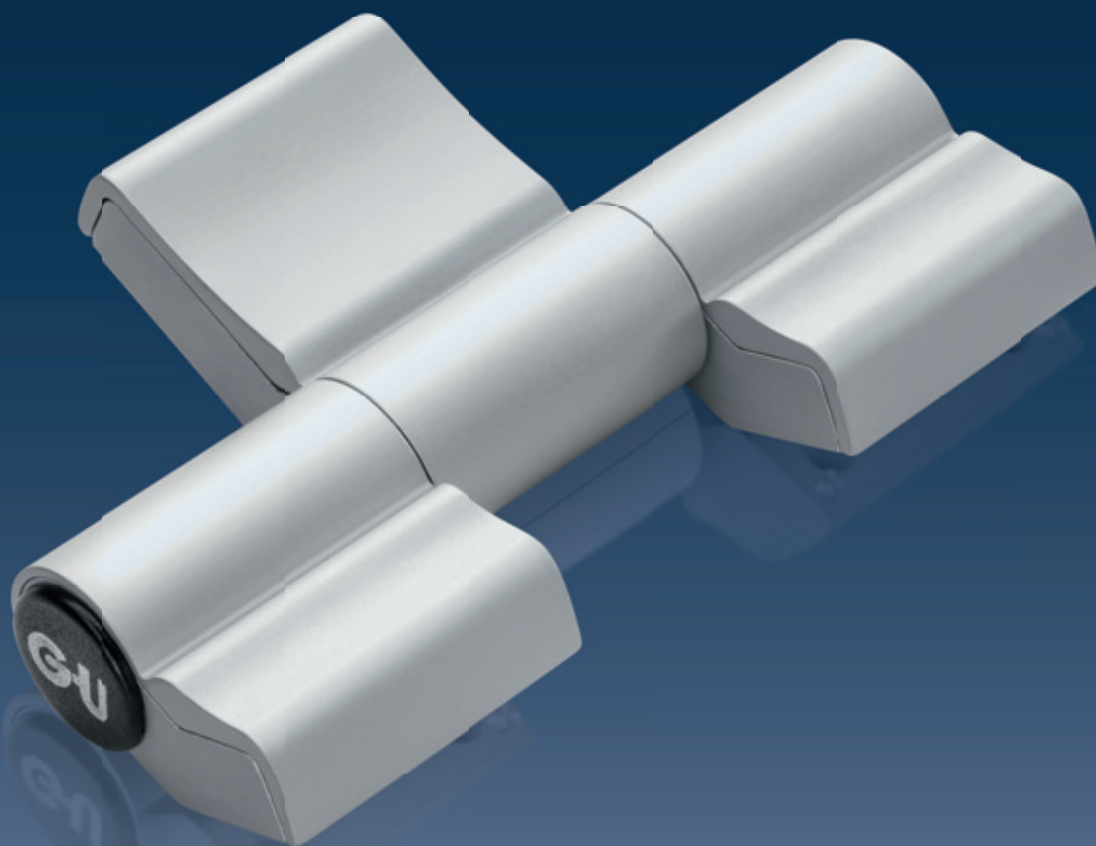


GU A 316 3D – Screw-on hinge

up to 160 kg, 3-part, hole spacing 63 / 78 / 84 mm



**Slender
but strong**



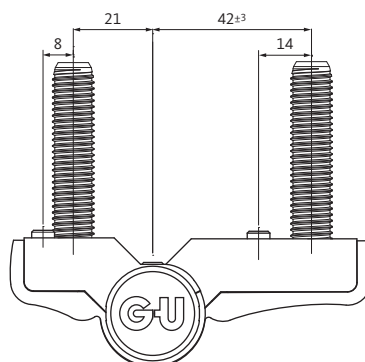
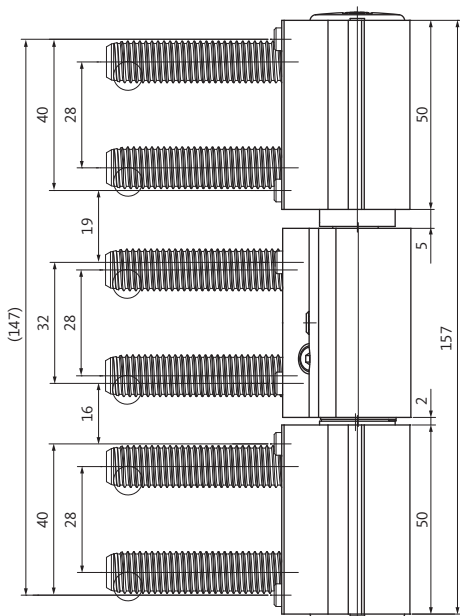
GU A 316 3D

up to 160 kg, 3-part, hole spacing 63 / 78 / 84 mm



Slender but strong

- Can be used universally for metal doors in commercial and residential buildings
- Increased burglar resistance, SKG-certified, up to three stars
- CE-certified according to EN 1935, can be used for doors in escape and rescue routes
- The hinge design is retained, no roll offset following lateral adjustment
- Can continuously withstand high loads, tested up to hinge class 14, 160 kg load-bearing capacity
- Fast installation times thanks to detachable direct screwing



GU A 316 3D – Screw-on hinge

up to 160 kg, 3-part, hole spacing 63 / 78 / 84 mm



Product information

- Can continuously withstand high loads and have a filigree look
- Fast installation times when GU special self-tapping screws are used
- 3D adjustment using only one tool
- No roll offset following lateral adjustment
- Corrosion-resistant axle pin as standard
- Increased burglar resistance even when fitted externally
- Clip-on cover caps
- Maintenance-free bearing system

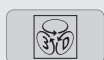
Specifications

- Non-handed, exterior and interior use

Hole spacing

- 63 mm
- 78 mm
- 84 mm

Adjustment options



- Horizontal adjustment:
± 3 mm
- Vertical adjustment:
+ 4 mm / - 1 mm
- Gasket pressure adjustment:
± 0.75 mm

GU A 316 3D – Screw-on hinge

up to 160 kg, 3-part, hole spacing 63 / 78 / 84 mm



GU A 316 3D – Screw-on hinge 3-part screw-on hinges without fixing material

Designation	Hole spacing	Frame / Leaf	Finish	PU	Order number
GU A 316 3D 63	63 mm	FR 21 mm + L 42 mm	Silver / EV 1 look	1	H-01787-00-0-1
			Brown (RAL 8019)	1	H-01787-00-0-5
			White (RAL 9016)	1	H-01787-00-0-7
			On request*	1	H-01787-00-0-9
GU A 316 3D 78	78 mm	FR 21 mm + L 57 mm	Silver / EV 1 look	1	H-01788-00-0-1
			Brown (RAL 8019)	1	H-01788-00-0-5
			White (RAL 9016)	1	H-01788-00-0-7
			On request*	1	H-01788-00-0-9
GU A 316 3D 84	84 mm	FR 42 mm + L 42 mm	Silver / EV 1 look	1	H-01789-00-0-1
			Brown (RAL 8019)	1	H-01789-00-0-5
			White (RAL 9016)	1	H-01789-00-0-7
			On request*	1	H-01789-00-0-9

* More finishes available on request.



Product-specific accessories: Drilling jigs GU A 316/312 3D with gap-spacers 4/5/6

Designation	Hole spacing	Frame / Leaf	PU	Order number
Drilling jig GU A 316/312 3D 63	63 mm	FR 21 mm + L 42 mm	1	H-01790-00-0-0
Drilling jig GU A 316/312 3D 78	78 mm	FR 21 mm + L 57 mm	1	H-01791-00-0-0
Drilling jig GU A 316/312 3D 84	84 mm	FR 42 mm + L 42 mm	1	H-01792-00-0-0

GU A 316 3D – Screw-on hinge

up to 160 kg, 3-part, hole spacing 63 / 78 / 84 mm



Additional accessories: Backer plates

Designation	Finish	PU	Order number
Set 30 / GU A 316 3D with installed spring + screws M8 x 30 mm	Steel	1	H-01793-01-0-0
		10	H-01793-10-0-0
	Stainless steel	1	H-01793-01-0-8
		10	H-01793-10-0-8
Set 40 / GU A 316 3D with installed spring + screws M8 x 40 mm	Steel	1	H-01794-01-0-0
		10	H-01794-10-0-0
	Stainless steel	1	H-01794-01-0-8
		10	H-01794-10-0-8

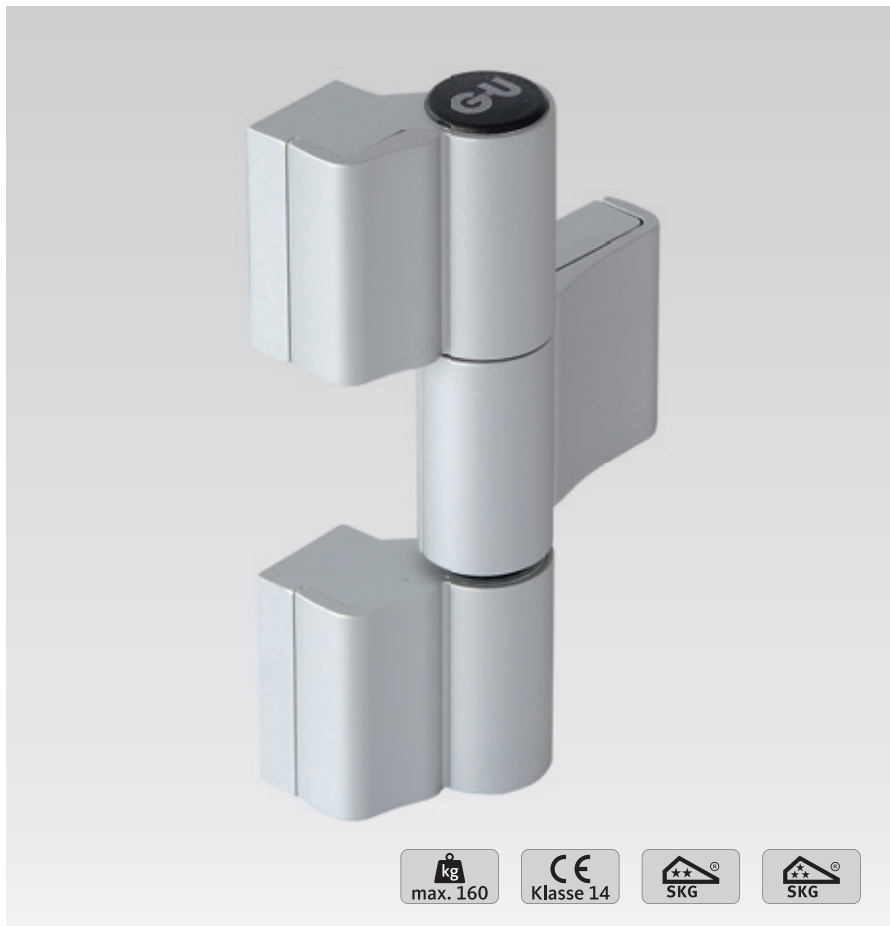


Additional accessories: Fastening screws set

Designation	Finish	PU	Order number
Set 60 / GU A 316 3D 6 special self-tapping screws 60 mm	Steel	1	H-01795-01-0-0
		10	H-01795-10-0-0
	Stainless steel	1	H-01795-01-0-8
		10	H-01795-10-0-8
Set 76 / GU A 316 3D 6 special self-tapping screws 76 mm	Steel	1	H-01796-01-0-0
		10	H-01796-10-0-0
	Stainless steel	1	H-01796-01-0-8
		10	H-01796-10-0-8

GU A 316 3D FV – Screw-on hinge with 10 mm surface offset

up to 160 kg, 3-part, hole spacing 63 / 78 mm



Product information

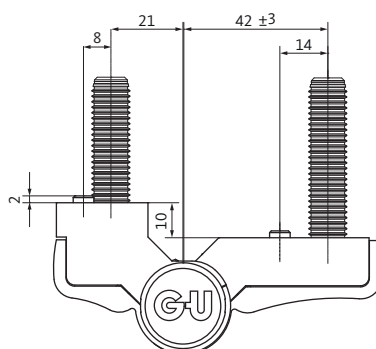
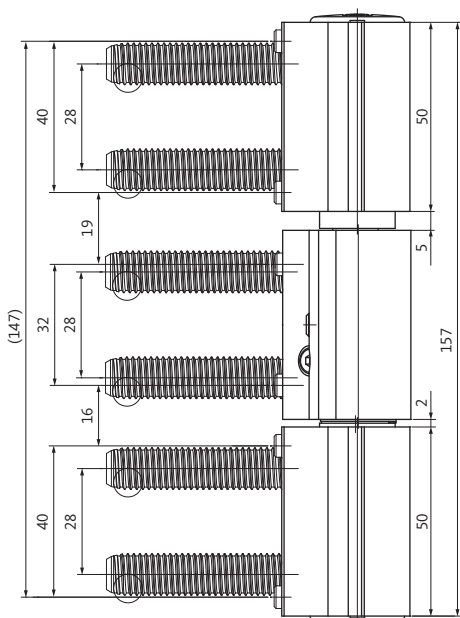
- Can continuously withstand high loads and have a filigree look
- Fast installation times when GU special self-tapping screws are used
- 3D adjustment using only one tool
- No roll offset following while lateral adjustment
- Corrosion-resistant axle pin as standard
- Increased burglar resistance even when fitted externally
- Clip-on cover caps
- Maintenance-free bearing system

Specifications

- Non-handed, exterior and interior use

Hole spacing

- 63 mm
- 78 mm



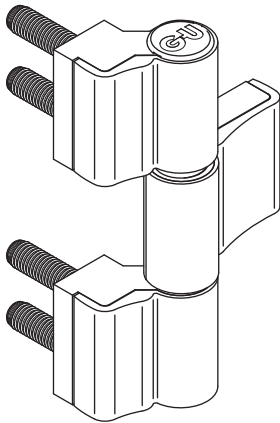
Adjustment options



- Horizontal adjustment: ± 3 mm
- Vertical adjustment: $+ 4$ mm / $- 1$ mm
- Gasket pressure adjustment: ± 0.75 mm

GU A 316 3D FV – with 10 mm surface offset

up to 160 kg, 3-part, hole spacing 63 / 78 mm



GU A 316 3D FV – Screw-on hinge with 10 mm surface offset 3-part screw-on hinges without fixing material

Designation	Hole spacing	Frame / Leaf	Finish	PU	Order number
GU A 316 3D FV	63 mm	FR 21 mm + L 42 mm	Silver / EV 1 look	1	H-01773-00-0-1
			Brown (RAL 8019)	1	H-01773-00-0-5
			White (RAL 9016)	1	H-01773-00-0-7
			On request*	1	H-01773-00-0-9
GU A 316 3D FV	78 mm	FR 21 mm + L 57 mm	Silver / EV 1 look	1	H-01771-00-0-1
			Brown (RAL 8019)	1	H-01771-00-0-5
			White (RAL 9016)	1	H-01771-00-0-7
			On request*	1	H-01771-00-0-9

* More finishes available on request.



Additional accessories: Backer plates

Designation	Finish	PU	Order number
Set 30 / GU A 316 3D FV with installed spring + screws M8 x 30 mm	Steel	1	H-01793-01-0-0
		10	H-01793-10-0-0
	Stainless steel	1	H-01793-01-0-8
		10	H-01793-10-0-8
Set 40 / GU A 316 3D FV with installed spring + screws M8 x 40 mm	Steel	1	H-01794-01-0-0
		10	H-01794-10-0-0
	Stainless steel	1	H-01794-01-0-8
		10	H-01794-10-0-8



Additional accessories: Fastening screws set

Designation	Finish	PU	Order number
Set 60 / GU A 316 3D FV 6 special self-tapping screws 60 mm	Steel	1	H-01795-01-0-0
		10	H-01795-10-0-0
	Stainless steel	1	H-01795-01-0-8
		10	H-01795-10-0-8
Set 76 / GU A 316 3D FV 6 special self-tapping screws 76 mm	Steel	1	H-01796-01-0-0
		10	H-01796-10-0-0
	Stainless steel	1	H-01796-01-0-8
		10	H-01796-10-0-8

GU A 312 3D – Screw-on hinge

up to 120 kg, 2-part, hole spacing 63 / 78 mm



Product information

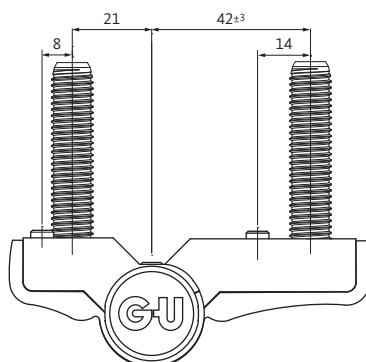
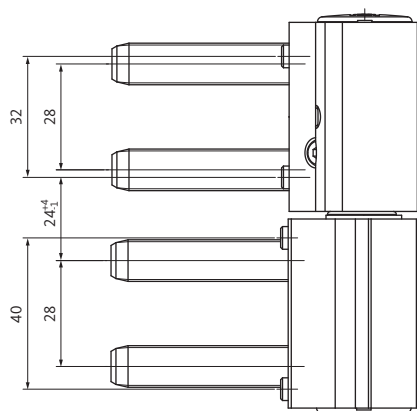
- Can continuously withstand high loads and have a filigree look
- Fast installation times when GU special self-tapping screws are used
- 3D adjustment using only one tool
- No roll offset following lateral adjustment
- Corrosion-resistant axle pin as standard
- Increased burglar resistance even when fitted externally
- Clip-on cover caps
- Maintenance-free bearing system

Specifications

- Non-handed, exterior and interior use

Hole spacing

- 63 mm
- 78 mm



Adjustment options



- Horizontal adjustment: ± 3 mm
- Vertical adjustment: $+ 4$ mm / $- 1$ mm
- Gasket pressure adjustment: ± 0.75 mm

GU A 312 3D – Screw-on hinge

up to 120 kg, 2-part, hole spacing 63 / 78 mm



GU A 312 3D – Screw-on hinge

2-part screw-on hinges without fixing material

Designation	Hole spacing	Frame / Leaf	Finish	PU	Order number
GU A 312 3D 63	63 mm	FR 21 mm + L 42 mm	Silver / EV 1 look	1	H-01779-00-0-1
			Brown (RAL 8019)	1	H-01779-00-0-5
			White (RAL 9016)	1	H-01779-00-0-7
			On request*	1	H-01779-00-0-9
GU A 312 3D 78	78 mm	FR 21 mm + L 57 mm	Silver / EV 1 look	1	H-01780-00-0-1
			Brown (RAL 8019)	1	H-01780-00-0-5
			White (RAL 9016)	1	H-01780-00-0-7
			On request*	1	H-01780-00-0-9

* More finishes available on request.



Product-specific accessories:

Drilling jigs GU A 312/316 3D with gap-spacers 4/5/6

Designation	Hole spacing	Frame / Leaf	PU	Order number
Drilling jig GU A 312/316 3D 63	63 mm	FR 21 mm + L 42 mm	1	H-01790-00-0-0
Drilling jig GU A 312/316 3D 78	78 mm	FR 21 mm + L 57 mm	1	H-01791-00-0-0



Additional accessories: Backer plates

Designation	Finish	PU	Order number
Set 30 / GU A 312 3D with installed spring + screws M8 x 30 mm	Steel	1	H-01783-01-0-0
		10	H-01783-10-0-0
	Stainless steel	1	H-01783-01-0-8
		10	H-01783-10-0-8
Set 40 / GU A 312 3D with installed spring + screws M8 x 40 mm	Steel	1	H-01784-01-0-0
		10	H-01784-10-0-0
	Stainless steel	1	H-01784-01-0-8
		10	H-01784-10-0-8



Additional accessories: Fastening screws set

Designation	Finish	PU	Order number
Set 60 / GU A 312 3D 4 x special self-tapping screws 60 mm	Steel	1	H-01785-01-0-0
		10	H-01785-10-0-0
	Stainless steel	1	H-01785-01-0-8
		10	H-01785-10-0-8
Set ER 76 / GU A 312 3D 4 x special self-tapping screws 76 mm	Steel	1	H-01786-01-0-0
		10	H-01786-10-0-0
	Stainless steel	1	H-01786-01-0-8
		10	H-01786-10-0-8

GU A 312 3D FV – Screw-on hinge with 10 mm surface offset

up to 120 kg, 2-part, hole spacing 63 / 78 mm



Product information

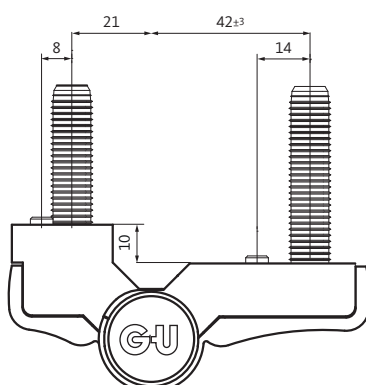
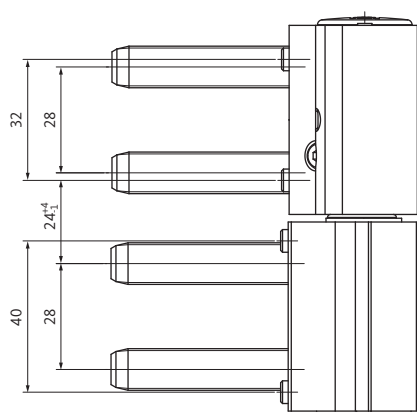
- Can continuously withstand high loads and have a filigree look
- Fast installation times when GU special self-tapping screws are used
- 3D adjustment using only one tool
- No roll offset following lateral adjustment
- Corrosion-resistant axle pin as standard
- Increased burglar resistance even when fitted externally
- Clip-on cover caps
- Maintenance-free bearing system

Specifications

- Non-handed, exterior and interior use

Hole spacing

- 63 mm
- 78 mm



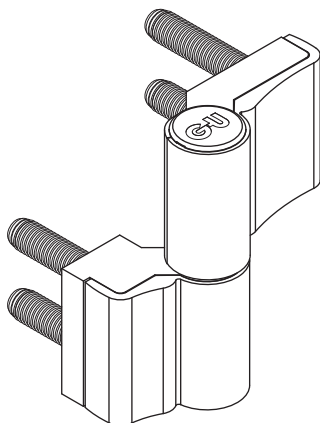
Adjustment options



- Horizontal adjustment: ± 3 mm
- Vertical adjustment: $+ 4$ mm / $- 1$ mm
- Gasket pressure adjustment: ± 0.75 mm

GU A 312 3D FV – with 10 mm surface offset

up to 120 kg, 2-part, hole spacing 63 / 78 mm



GU A 312 3D – Screw-on hinge with 10 mm surface offset 2-part screw-on hinges without fixing material

Designation	Hole spacing	Frame / Leaf	Finish	PU	Order number
GU A 312 3D FV	63 mm	FR 21 mm + L 42 mm	Silver / EV 1 look	1	H-01781-00-0-1
			Brown (RAL 8019)	1	H-01781-00-0-5
			White (RAL 9016)	1	H-01781-00-0-7
			On request*	1	H-01781-00-0-9
GU A 312 3D FV	78 mm	FR 21 mm + L 57 mm	Silver / EV 1 look	1	H-01782-00-0-1
			Brown (RAL 8019)	1	H-01782-00-0-5
			White (RAL 9016)	1	H-01782-00-0-7
			On request*	1	H-01782-00-0-9

* More finishes available on request.



Product-specific accessories: Drilling jigs GU A 312/316 3D with gap-spacers 4/5/6

Designation	Hole spacing	Frame / Leaf	PU	Order number
Drilling jig GU A 312/316 3D 63	63 mm	FR 21 mm + L 42 mm	1	H-01790-00-0-0
Drilling jig GU A 312/316 3D 78	78 mm	FR 21 mm + L 57 mm	1	H-01791-00-0-0



Additional accessories: Backer plates

Designation	Finish	PU	Order number
Set 30 / GU A 312 3D with installed spring + screws M8 x 30 mm	Steel	1	H-01783-01-0-0
		10	H-01783-10-0-0
	Stainless steel	1	H-01783-01-0-8
		10	H-01783-10-0-8
Set 40 / GU A 312 3D with installed spring + screws M8 x 40 mm	Steel	1	H-01784-01-0-0
		10	H-01784-10-0-0
	Stainless steel	1	H-01784-01-0-8
		10	H-01784-10-0-8



Additional accessories: Fastening screws set

Designation	Finish	PU	Order number
Set 60 / GU A 312 3D 4 x special self-tapping screws 60 mm	Steel	1	H-01785-01-0-0
		10	H-01785-10-0-0
	Stainless steel	1	H-01785-01-0-8
		10	H-01785-10-0-8
Set 76 / GU A 312 3D 4 x special self-tapping screws 76 mm	Steel	1	H-01786-01-0-0
		10	H-01786-10-0-0
	Stainless steel	1	H-01786-01-0-8
		10	H-01786-10-0-8

GU AM 216 3D – Screw-on hinge

up to 160 kg, 2-part, hole spacing 67 mm



Product information

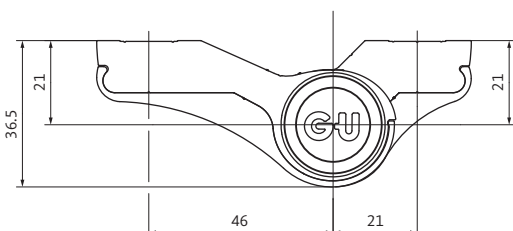
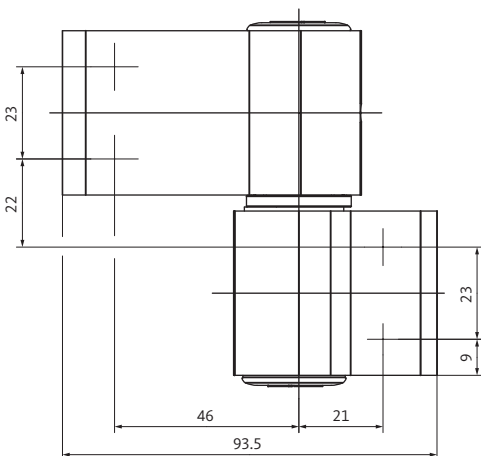
- CE-certified to EN 1935 in highest hinge class 14
- Fast installation times thanks to detachable direct screwing
- Can be quickly adjusted in three dimensions
- Maintenance-free bearing system
- Price-conscious hinge solution

Specifications

- Non-handed, outward/inward opening

Hole spacing

- 67 mm



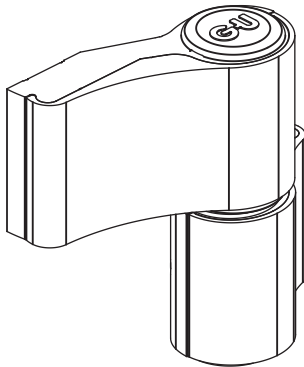
Adjustment options



- Horizontal adjustment: ± 2.8 mm
- Vertical adjustment: $+ 3.5$ mm / $- 0.5$ mm
- Gasket pressure adjustment: ± 1 mm

GU AM 216 3D – Screw-on hinge

up to 160 kg, 2-part, hole spacing 67 mm



GU AM 216 3D – Screw-on hinge 2-part screw-on hinges flush, alternatively with surface offset

Designation	Package size	Finish	PU	Order number
Door hinge GU AM 216 3D 2-part	Industrial packing	Silver / EV1	15	H-01929-15-0-1
		Brown (RAL 8019)	15	H-01929-15-0-5
		Black (RAL 9005)	15	H-01929-15-0-6
		White (RAL 9016)	15	H-01929-15-0-7
		Aluminium colour	15	H-01929-15-0-15

Product-specific accessories

Designation	Package size	PU	Order number
Drilling jig GU AM/AW 200/300	Individual packing	1	H-01933-00-0-0
2-part direct screwing set	Industrial packing	50	H-01926-00-0-1

GU AM 216 3D – Screw-on hinge

up to 160 kg, 2-part, hole spacing 67 mm



Additional accessories: Frame part, packer for elements with surface offset

Designation	Finish	PU	Order number
Packer 2 mm	Silver / EV1	15	H-01928-02-0-1
	Black (RAL 9005)	15	H-01928-02-0-5
	White (RAL 9016)	15	H-01928-02-0-6
	Brown (RAL 8019)	15	H-01928-02-0-7
	Aluminium colour	15	H-01928-02-0-15
Packer 3 mm	Silver / EV1	15	H-01928-03-0-1
	Black (RAL 9005)	15	H-01928-03-0-5
	White (RAL 9016)	15	H-01928-03-0-6
	Brown (RAL 8019)	15	H-01928-03-0-7
	Aluminium colour	15	H-01928-03-0-15
Packer 5 mm	Silver / EV1	15	H-01928-05-0-1
	Black (RAL 9005)	15	H-01928-05-0-5
	White (RAL 9016)	15	H-01928-05-0-6
	Brown (RAL 8019)	15	H-01928-05-0-7
	Aluminium colour	15	H-01928-05-0-15
Packer 8 mm	Silver / EV1	15	H-01928-08-0-1
	Black (RAL 9005)	15	H-01928-08-0-5
	White (RAL 9016)	15	H-01928-08-0-6
	Brown (RAL 8019)	15	H-01928-08-0-7
	Aluminium colour	15	H-01928-08-0-15
Packer 10 mm	Silver / EV1	15	H-01928-10-0-1
	Black (RAL 9005)	15	H-01928-10-0-5
	White (RAL 9016)	15	H-01928-10-0-6
	Brown (RAL 8019)	15	H-01928-10-0-7
	Aluminium colour	15	H-01928-10-0-15
Packer 12 mm	Silver / EV1	15	H-01928-12-0-1
	Black (RAL 9005)	15	H-01928-12-0-5
	White (RAL 9016)	15	H-01928-12-0-6
	Brown (RAL 8019)	15	H-01928-12-0-7
	Aluminium colour	15	H-01928-12-0-15



GU AM 316 3D – Screw-on hinge

up to 160 kg, 3-part, hole spacing 67 mm



Product information

- CE-certified to EN 1935 in highest hinge class 14
- Fast installation times thanks to detachable direct screwing
- Can be quickly adjusted in three dimensions
- Maintenance-free bearing system
- Price-conscious hinge solution

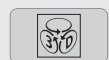
Specifications

- Non-handed, outward/inward opening

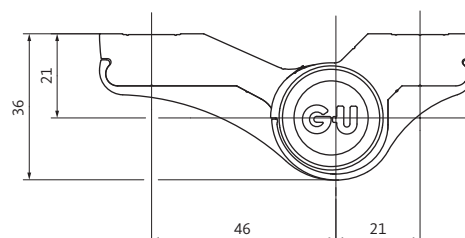
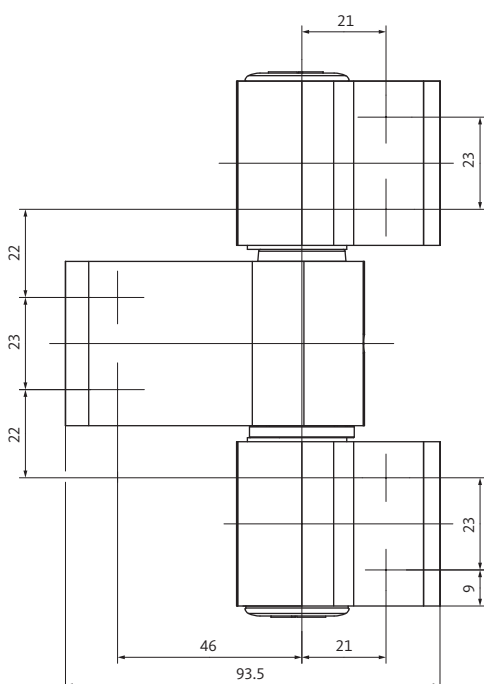
Hole spacing

- 67 mm

Adjustment options

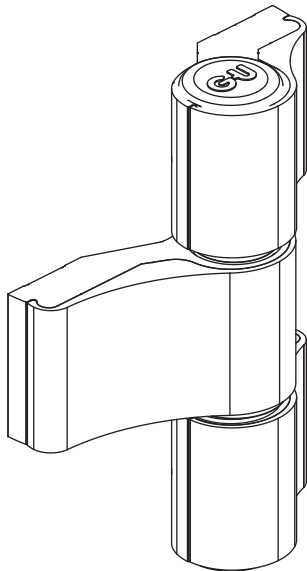


- Horizontal adjustment: ± 2.8 mm
- Vertical adjustment: $+ 3.5$ mm / $- 0.5$ mm
- Gasket pressure adjustment: ± 1 mm



GU AM 316 3D – Screw-on hinge

up to 160 kg, 3-part, hole spacing 67 mm



GU AM 316 3D – Screw-on hinge 3-part screw-on hinges flush, alternatively with surface offset

Designation	Package size	Finish	PU	Order number
Door hinge GU AW 216 3D 3-part, 67 mm	Industrial packing	Silver / EV1	15	H-01930-15-0-1
		Black (RAL 9005)	15	H-01930-15-0-5
		White (RAL 9016)	15	H-01930-15-0-6
		Brown (RAL 8019)	15	H-01930-15-0-7
		Aluminium colour	15	H-01930-15-0-15

Product-specific accessories

Designation	Package size	PU	Order number
Drilling jig GU AM/AW 200/300	Individual packing	1	H-01933-00-0-0
Drilling jig GU AM/AW 200/300 with clamping	Individual packing	1	H-01933-01-0-0
3-part direct screwing set	Industrial packing	50	H-01927-00-0-1

GU AM 316 3D – Screw-on hinge

up to 160 kg, 3-part, hole spacing 67 mm



Additional accessories: Frame part, packer for elements with surface offset

Designation	Finish	PU	Order number
Packer 2 mm	Silver / EV1	15	H-01928-02-0-1
	Black (RAL 9005)	15	H-01928-02-0-5
	White (RAL 9016)	15	H-01928-02-0-6
	Brown (RAL 8019)	15	H-01928-02-0-7
	Aluminium colour	15	H-01928-02-0-15
Packer 3 mm	Silver / EV1	15	H-01928-03-0-1
	Black (RAL 9005)	15	H-01928-03-0-5
	White (RAL 9016)	15	H-01928-03-0-6
	Brown (RAL 8019)	15	H-01928-03-0-7
	Aluminium colour	15	H-01928-03-0-15
Packer 5 mm	Silver / EV1	15	H-01928-05-0-1
	Black (RAL 9005)	15	H-01928-05-0-5
	White (RAL 9016)	15	H-01928-05-0-6
	Brown (RAL 8019)	15	H-01928-05-0-7
	Aluminium colour	15	H-01928-05-0-15
Packer 8 mm	Silver / EV1	15	H-01928-08-0-1
	Black (RAL 9005)	15	H-01928-08-0-5
	White (RAL 9016)	15	H-01928-08-0-6
	Brown (RAL 8019)	15	H-01928-08-0-7
	Aluminium colour	15	H-01928-08-0-15
Packer 10 mm	Silver / EV1	15	H-01928-10-0-1
	Black (RAL 9005)	15	H-01928-10-0-5
	White (RAL 9016)	15	H-01928-10-0-6
	Brown (RAL 8019)	15	H-01928-10-0-7
	Aluminium colour	15	H-01928-10-0-15
Packer 12 mm	Silver / EV1	15	H-01928-12-0-1
	Black (RAL 9005)	15	H-01928-12-0-5
	White (RAL 9016)	15	H-01928-12-0-6
	Brown (RAL 8019)	15	H-01928-12-0-7
	Aluminium colour	15	H-01928-12-0-15



GU AW 216 3D – Screw-on hinge

up to 160 kg, 2-part, hole spacing 67 mm / 92 mm / 63 mm – 90°



Product information

- CE-certified to EN 1935 in highest hinge class 14
- Fast installation times thanks to detachable direct screwing
- Can be conveniently adjusted in three dimensions
- Maintenance-free bearing system
- Price-conscious hinge solution

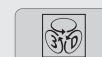
Specifications

- Non-handed, outward/inward opening

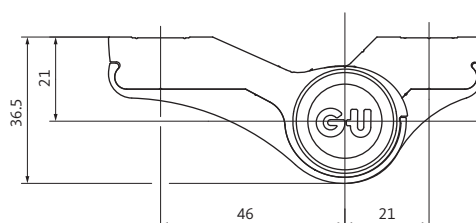
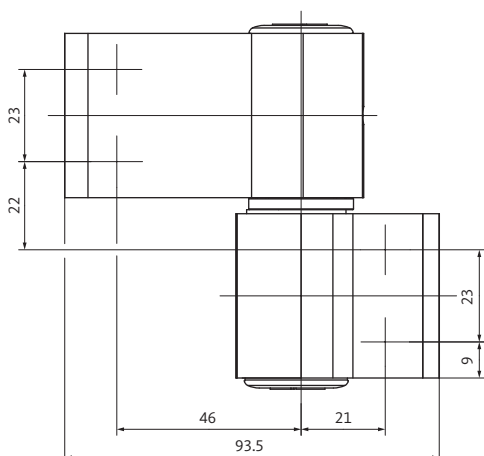
Hole spacing

- 67 mm
- 92 mm
- 63 mm, 90° version

Adjustment options

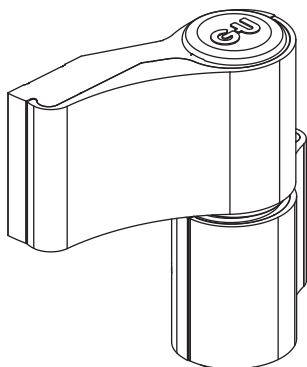


- Horizontal adjustment: ± 3.5 mm
- Vertical adjustment: $+ 4$ mm / $- 1$ mm
- Gasket pressure adjustment: ± 1 mm



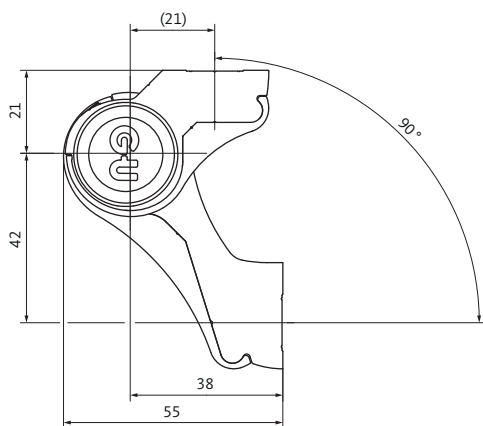
GU AW 216 3D – Screw-on hinge

up to 160 kg, 2-part, hole spacing 67 mm / 92 mm / 63 mm – 90°



GU AW 216 3D – Screw-on hinge 2-part screw-on hinges flush, alternatively with surface offset

Designation	Package size	Finish	PU	Order number
Door hinge GU AW 216 3D 2-part, 67 mm	Industrial packing	Silver / EV1	15	H-01920-15-0-1
		Brown (RAL 8019)	15	H-01920-15-0-5
		Black (RAL 9005)	15	H-01920-15-0-6
		White (RAL 9016)	15	H-01920-15-0-7
		Aluminium colour	15	H-01920-15-0-15
Door hinge GU AW 216 3D 2-part, 92 mm	Industrial packing	Silver / EV1	15	H-01922-15-0-1
		Brown (RAL 8019)	15	H-01922-15-0-5
		Black (RAL 9005)	15	H-01922-15-0-6
		White (RAL 9016)	15	H-01922-15-0-7
		Aluminium colour	15	H-01922-15-0-15
Door hinge GU AW 216 3D 2-part, 63 mm – 90°	Industrial packing	Silver / EV1	15	H-01924-15-0-1
		Brown (RAL 8019)	15	H-01924-15-0-5
		Black (RAL 9005)	15	H-01924-15-0-6
		White (RAL 9016)	15	H-01924-15-0-7
		Aluminium colour	15	H-01924-15-0-15



Product-specific accessories

Designation	Package size	PU	Order number
Drilling jig GU AM/AW 200/300	Individual packing	1	H-01933-00-0-0
Drilling jig GU AM/AW 200/300 with clamping		1	H-01933-01-0-0
Drilling jig GU AW 216/316, 63 mm – 90°		1	H-01933-02-0-0
2-part direct screwing set	Industrial packing	50	H-01926-00-0-1

GU AW 216 3D – Screw-on hinge

up to 160 kg, 2-part, hole spacing 67 mm / 92 mm / 63 mm – 90°



Additional accessories: Frame part, packer for elements with surface offset

Designation	Finish	PU	Order number
Packer 2 mm	Silver / EV1	15	H-01928-02-0-1
	Black (RAL 9005)	15	H-01928-02-0-5
	White (RAL 9016)	15	H-01928-02-0-6
	Brown (RAL 8019)	15	H-01928-02-0-7
	Aluminium colour	15	H-01928-02-0-15
Packer 3 mm	Silver / EV1	15	H-01928-03-0-1
	Black (RAL 9005)	15	H-01928-03-0-5
	White (RAL 9016)	15	H-01928-03-0-6
	Brown (RAL 8019)	15	H-01928-03-0-7
	Aluminium colour	15	H-01928-03-0-15
Packer 5 mm	Silver / EV1	15	H-01928-05-0-1
	Black (RAL 9005)	15	H-01928-05-0-5
	White (RAL 9016)	15	H-01928-05-0-6
	Brown (RAL 8019)	15	H-01928-05-0-7
	Aluminium colour	15	H-01928-05-0-15
Packer 8 mm	Silver / EV1	15	H-01928-08-0-1
	Black (RAL 9005)	15	H-01928-08-0-5
	White (RAL 9016)	15	H-01928-08-0-6
	Brown (RAL 8019)	15	H-01928-08-0-7
	Aluminium colour	15	H-01928-08-0-15
Packer 10 mm	Silver / EV1	15	H-01928-10-0-1
	Black (RAL 9005)	15	H-01928-10-0-5
	White (RAL 9016)	15	H-01928-10-0-6
	Brown (RAL 8019)	15	H-01928-10-0-7
	Aluminium colour	15	H-01928-10-0-15
Packer 12 mm	Silver / EV1	15	H-01928-12-0-1
	Black (RAL 9005)	15	H-01928-12-0-5
	White (RAL 9016)	15	H-01928-12-0-6
	Brown (RAL 8019)	15	H-01928-12-0-7
	Aluminium colour	15	H-01928-12-0-15



GU AW 316 3D – Screw-on hinge

up to 160 kg, 3-part, hole spacing 67 mm / 92 mm / 63 mm – 90°



Product information

- CE-certified to EN 1935 in highest hinge class 14
- Fast installation times thanks to detachable direct screwing
- Can be conveniently adjusted in three dimensions
- Maintenance-free bearing system
- Price-conscious hinge solution

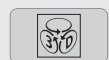
Specifications

- Non-handed, outward/inward opening

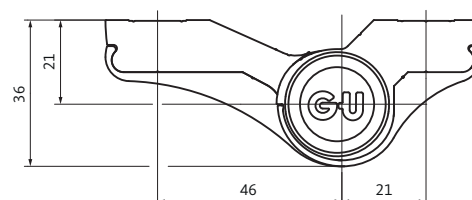
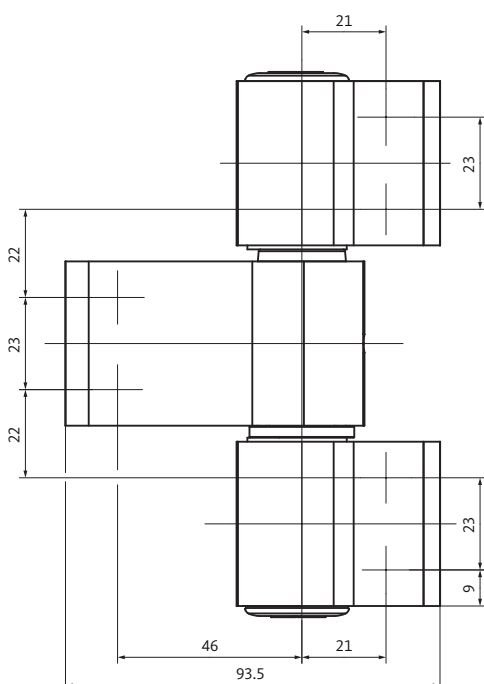
Hole spacing

- 67 mm
- 92 mm
- 63 mm, 90° version

Adjustment options

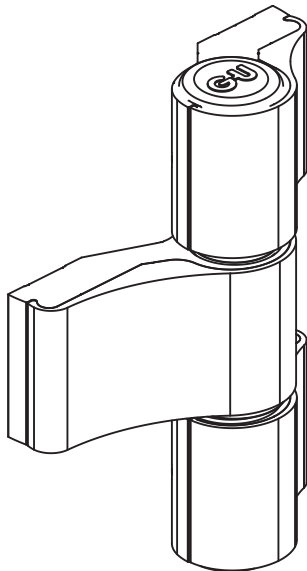


- Horizontal adjustment: ± 3.5 mm
- Vertical adjustment: $+ 4$ mm / $- 1$ mm
- Gasket pressure adjustment: ± 1 mm



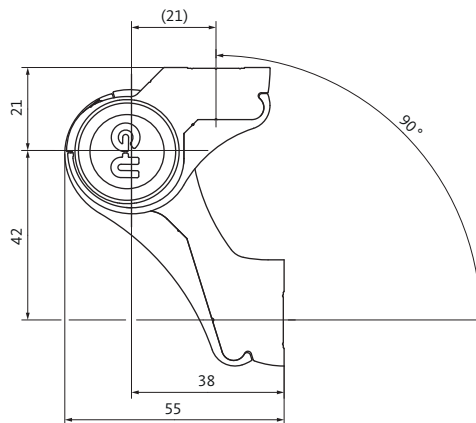
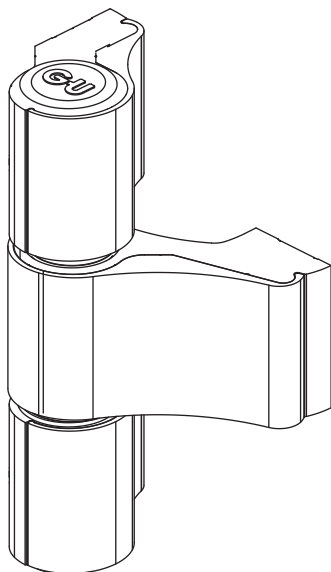
GU AW 316 3D – Screw-on hinge

up to 160 kg, 3-part, hole spacing 67 mm / 92 mm / 63 mm – 90°



GU AW 316 3D – Screw-on hinge
3-part screw-on hinges flush, alternatively with surface offset

Designation	Package size	Finish	PU	Order number
Door hinge GU AW 316 3D 3-part, 67 mm	Industrial packing	Silver / EV1	15	H-01921-15-0-1
		Brown (RAL 8019)	15	H-01921-15-0-5
		Black (RAL 9005)	15	H-01921-15-0-6
		White (RAL 9016)	15	H-01921-15-0-7
		Aluminium colour	15	H-01921-15-0-15
Door hinge GU AW 316 3D 3-part, 92 mm	Industrial packing	Silver / EV1	15	H-01923-15-0-1
		Brown (RAL 8019)	15	H-01923-15-0-5
		Black (RAL 9005)	15	H-01923-15-0-6
		White (RAL 9016)	15	H-01923-15-0-7
		Aluminium colour	15	H-01923-15-0-15
Door hinge GU AW 316 3D 3-part, 63 mm – 90°	Industrial packing	Silver / EV1	15	H-01925-15-0-1
		Brown (RAL 8019)	15	H-01925-15-0-5
		Black (RAL 9005)	15	H-01925-15-0-6
		White (RAL 9016)	15	H-01925-15-0-7
		Aluminium colour	15	H-01925-15-0-15



Product-specific accessories

Designation	Package size	PU	Order number
Drilling jig GU AM/AW 200/300	Individual packing	1	H-01933-00-0-0
Drilling jig GU AM/AW 200/300 with clamping		1	H-01933-01-0-0
Drilling jig GU AW 216/316, 63 mm – 90°		1	H-01933-02-0-0
3-part direct screwing set	Industrial packing	50	H-01927-00-0-1

GU AW 316 3D – Screw-on hinge

up to 160 kg, 3-part, hole spacing 67 mm / 92 mm / 63 mm – 90°



Additional accessories: Frame part, packer for elements with surface offset

Designation	Finish	PU	Order number
Packer 2 mm	Silver / EV1	15	H-01928-02-0-1
	Black (RAL 9005)	15	H-01928-02-0-5
	White (RAL 9016)	15	H-01928-02-0-6
	Brown (RAL 8019)	15	H-01928-02-0-7
	Aluminium colour	15	H-01928-02-0-15
Packer 3 mm	Silver / EV1	15	H-01928-03-0-1
	Black (RAL 9005)	15	H-01928-03-0-5
	White (RAL 9016)	15	H-01928-03-0-6
	Brown (RAL 8019)	15	H-01928-03-0-7
	Aluminium colour	15	H-01928-03-0-15
Packer 5 mm	Silver / EV1	15	H-01928-05-0-1
	Black (RAL 9005)	15	H-01928-05-0-5
	White (RAL 9016)	15	H-01928-05-0-6
	Brown (RAL 8019)	15	H-01928-05-0-7
	Aluminium colour	15	H-01928-05-0-15
Packer 8 mm	Silver / EV1	15	H-01928-08-0-1
	Black (RAL 9005)	15	H-01928-08-0-5
	White (RAL 9016)	15	H-01928-08-0-6
	Brown (RAL 8019)	15	H-01928-08-0-7
	Aluminium colour	15	H-01928-08-0-15
Packer 10 mm	Silver / EV1	15	H-01928-10-0-1
	Black (RAL 9005)	15	H-01928-10-0-5
	White (RAL 9016)	15	H-01928-10-0-6
	Brown (RAL 8019)	15	H-01928-10-0-7
	Aluminium colour	15	H-01928-10-0-15
Packer 12 mm	Silver / EV1	15	H-01928-12-0-1
	Black (RAL 9005)	15	H-01928-12-0-5
	White (RAL 9016)	15	H-01928-12-0-6
	Brown (RAL 8019)	15	H-01928-12-0-7
	Aluminium colour	15	H-01928-12-0-15



ALU-JET S800 Turn-Only hinge

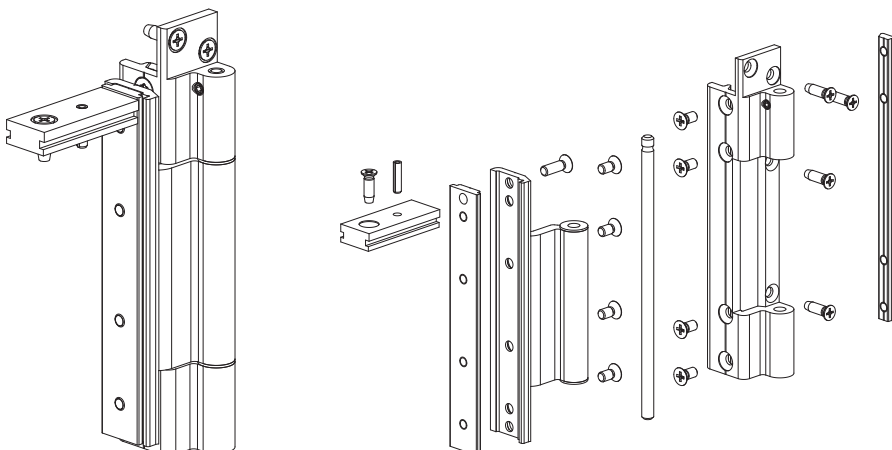
up to 300 kg, 2-part, hole spacing 57 mm



kg
max. 300

Product information

- Timeless design for high-class facade elements
- For leaf weights of up to 300 kg
- Can be used on aluminium system profiles with 10/14, 12/15 or 14/18 frame groove
- Suitable for all aluminium profile systems with 15/20 sash Euro-groove
- Opening angle 180°
- Maintenance-free bearing system



ALU-JET S800 Turn-Only hinge

up to 300 kg, 2-part, hole spacing 57 mm



ALU-JET S800 Turn-Only hinge

Designation	Finish	PU	Order number	
			DIN LH	DIN RH
ALU-JET S800 – TU-ON hinge set, top	Silver / EV 1 look	10	K-19240-00-L-1	K-19240-00-R-1
	White (RAL 9016)	10	K-19240-00-L-7	K-19240-00-R-7
	On request*	10	K-19240-00-L-9	K-19240-00-R-9
ALU-JET S800 – TU-ON centre-hinge set	Silver / EV 1 look	10	K-19241-00-L-9	
	White (RAL 9016)	10	K-19241-00-0-7	
	On request*	10	K-19241-00-0-9	
ALU-JET S800 – TU-ON hinge set, bottom	Silver / EV 1 look	10	K-19242-00-0-1	
	White (RAL 9016)	10	K-19242-00-0-7	
	On request*	10	K-19242-00-0-9	

More information can be found in our order catalogue "The ALU-JET 06 Tilt&Turn hardware range" (WP00083-04-1-1).

Hinges for flush aluminium profile systems

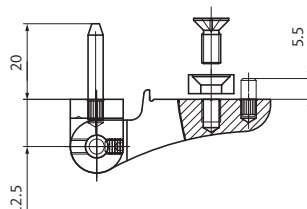
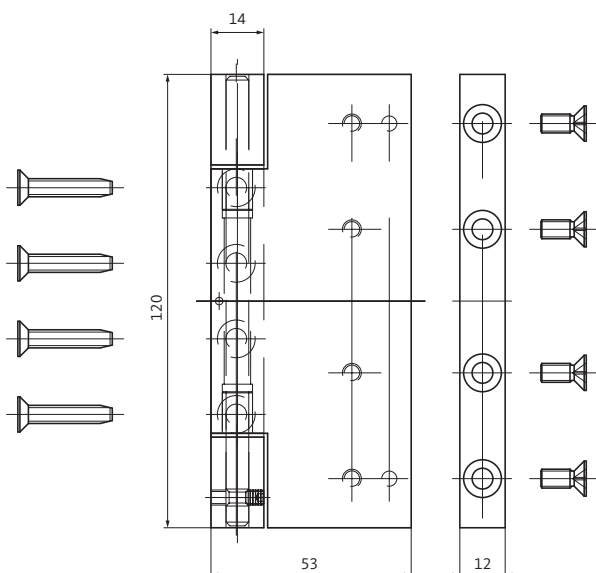
up to 130 kg



Product information

- Can be used on screw-on hinges for Bottom-Hung, Top-Hung and Side-Hung sashes
- For leaf weights of up to 130 kg
- With concealed leaf fastening
- Including edge stop on leaf part
- Maintenance-free bearing system
- Opening angle 180°

kg
max. 130



Hinges for flush aluminium profile systems

up to 130 kg



Hinges for flush aluminium profile systems

Designation	Finish	PU	Order number
Top-Hung sash hinge, 12.5 to 130 kg, with secured pins	Silver / EV 1 look	20	K-18033-00-0-1
	On request*	20	K-18033-00-0-9

* More finishes available on request.

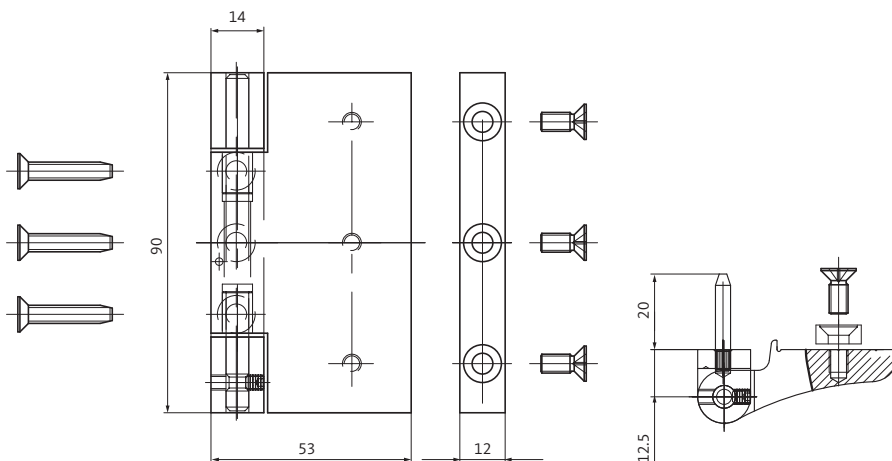
Hinges for flush aluminium profile systems

up to 80 kg



Product information

- Can be used on screw-on hinges for Bottom-Hung, Top-Hung and Side-Hung sashes
- For leaf weights of up to 80 kg
- With concealed leaf fastening
- Including edge stop on leaf part
- Maintenance-free bearing system
- Opening angle 180°



Hinges for flush aluminium profile systems

up to 80 kg



Hinges for flush aluminium profile systems

Designation	Finish	PU	Order number
Top-Hung sash hinge, 12.5 to 80 kg, with secured pins	Silver / EV 1 look	20	K-18032-00-0-1
	On request*	20	K-18032-00-0-9

* More finishes available on request.





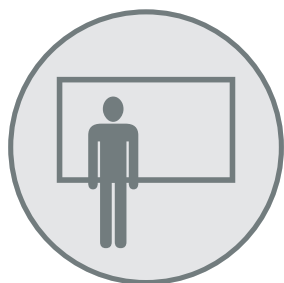
4 General information

Systematic service	156
Standards at a glance – classification code in accordance with EN 1935	158
GU door hinges suitable for use in escape and rescue routes	160
Hinge selection criteria and installation recommendations	161
Burglar-inhibiting components – GU door hinges to EN 1627 up to 1630	162
Burglar-inhibiting components – SKG-certified door hinges	163

Systematic service



Systematic Service



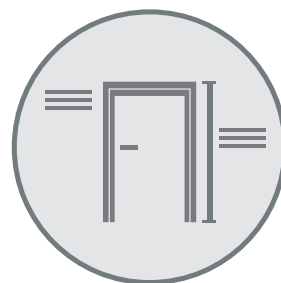
Seminars and training courses

Practical knowledge based on first hand experience: with around 160 events annually GU group offers an extremely wide range of seminars and training courses. The programme includes product innovations and their applications, current architectural trends and standards and directives. Several seminars and training courses are certified and recognised as advanced training courses by the chamber of architects and civil engineers in Germany.



Licences and CE

Maximum security as standard: the GU group is a CE licensor for windows and balcony-doors and can undertake the CE certification on your behalf thus saving you time and effort in your day-to-day business.

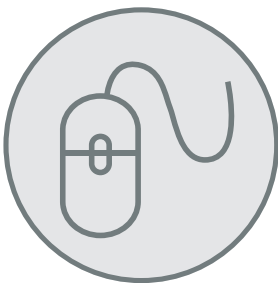


Hardware data service

Individual, accurate and comprehensive: GU's hardware data service generates hardware master data as defined in our catalogues or according to the fabricator's individual requirements. As a result, the customer has access to project-specific hardware data with commercial and technical details.

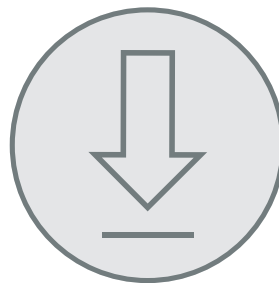


A product on its own is not a solution. The correct level of security, function and cost effectiveness can only be achieved with the right planning and by ensuring correct application. The GU group therefore also applies the systematic thought processes demonstrated in its product range to its service offering. Close interlinking of one-to-one expert advice, free online support and a comprehensive programme of technical seminars aims to make the day-to-day work of customers easier.



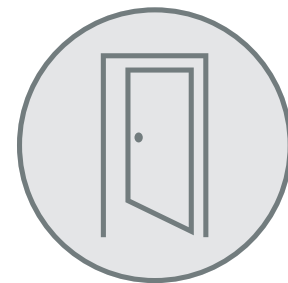
Customer Information System

Available at the click of a mouse: the Customer Information System (CIS) is an ordering and information system for all GU group products. Customers can use the online platform 24/7 to access important information: from preparing a quotation all the way through to carrying out an availability check in real-time, and from placing to tracking of orders.



Free download

To make planning easier: information on the products and applications is available to download from the company website to the local hard drive quickly, conveniently and free of charge: from product documents and installation drawings to Declarations of Performance through to software solutions.



Provision of samples

Impressive not just for builders: quality and functionality are best experienced live on site. The GU group therefore organises the provision of samples for the project and can also present different variants and functions if required. As an alternative, GU group offers visits to reference projects worldwide.

Standards at a glance

Classification code in accordance with EN 1935



Use of the most advanced technologies and the great innovative strengths of Gretschn-Unitas achieves optimum results by always being one step ahead of the standards when it comes to quality, safety and durability.

In addition to the increasing internationalisation of these requirements, which are, for example, reflected in European standards and regulations, it is essential that the everyday demands for convenience, traffic, burglar inhibition, fire protection, etc. also be taken into account.

We rise to this challenge again and again. With our innovative and modern product systems, we offer you maximum planning security. The innovative function and outstanding design of our products ensure that you have the highest degree of design freedom.

We have collected the most important standards and regulations on the following pages.

Classification code EN 1935

EN 1935 defines the requirements and test methods for single-axis door and window hinges and documents these in a so-called classification code. This eight-digit number block contains important information on the characteristics, loading capability and area of application of the door hinge.

First digit	Second digit	Third digit	Fourth digit	Fifth digit	Sixth digit	Seventh digit	Eighth digit
Category of use	Operational reliability	Door leaf weight	Suitability for fire and smoke protection doors	Security	Corrosion resistance	Burglar resistance	Hinge class

The main digit to consider in practise, in addition to the first digit which denotes the so-called usage class, is the eighth digit, which denotes the hinge class. More or less every Gretschn-Unitas door hinge is tested to ensure it meets the requirements of the highest usage class, and the hinges that are not required to meet these requirements are also tested according to the relevant hinge class. To make the selection easier for you, the CE logo in the door hinge illustrations also shows the door hinge class.

Standards at a glance

Classification code in accordance with EN 1935



EN 1935

The classification code is compiled as follows:

First digit = Category of use

Class 1: light use

Hinges for doors or windows with a low frequency of use by persons with an interest in exercising great care and where a low risk of incorrect use exists, e.g. in residential buildings or buildings that are not accessible to the public.

Class 2: medium use

Hinges for doors or windows with a medium frequency of use by persons with an interest in exercising due care but where a certain risk of incorrect use exists, e.g. in buildings with limited public access.

Class 3: heavy use

Hinges for doors or windows that are frequently used by the public or persons with a low interest in exercising due care and where a high risk of incorrect use exists, e.g. in public buildings.

Class 4: extremely heavy use (classes 12, 13, 14)

Hinges for doors or windows exposed to use of force or material damage. Hinges in class 12 are exposed to a risk of deliberate misuse. Hinges in the classes 13 and 14 offer increased resistance to potentially sustained heavy assault.

Second digit = Operational reliability

Window hinges are classified as follows:

Class 3: 10,000 cycles

Class 4: 25,000 cycles

Door hinges are classified as follows:

Class 4: 25,000 cycles

Class 7: 200,000 cycles

Third digit = Door leaf weight

Class 0: up to 10 kg

Class 1: up to 20 kg

Class 2: up to 40 kg

Class 3: up to 60 kg

Class 4: up to 80 kg

Class 5: up to 100 kg

Class 6: up to 120 kg

Class 7: up to 160 kg

Fourth digit = Suitability for fire and smoke protection doors

Class 0: not suitable for fire/smoke protection doors

Class 1: suitable for fire/smoke protection doors

Fifth digit = Security

The standard requires a basic level of user safety for all hinges.

Class 1 has therefore been defined.

Sixth digit = Corrosion resistance

Class 0: corrosion resistance not defined

Class 1: low corrosion resistance

Class 2: medium corrosion resistance

Class 3: high corrosion resistance

Class 4: extremely high corrosion resistance

Seventh digit = Burglar resistance

Class 0: no burglar inhibition

Class 1: burglar-inhibiting, depending on assessment of contribution made by the hinges to burglar inhibition.

Eighth digit = Hinge class

The hinge class is determined by the properties tested in digit 1-7. The following matrix shows which class must be achieved for each of the test steps and the resulting hinge class.

Attained classes in the tests of digits 1-7

1	2	3	4	5	6	7	Hinge class
1	3	0	0 / 1	1	0-4	0 / 1	1
1	3	1	0 / 1	1	0-4	0 / 1	2
1	4	1	0 / 1	1	0-4	0 / 1	3
2	7	1	0 / 1	1	0-4	0 / 1	4
1	3	2	0 / 1	1	0-4	0 / 1	5
1	4	2	0 / 1	1	0-4	0 / 1	6
2	7	2	0 / 1	1	0-4	0 / 1	7
1	3	3	0 / 1	1	0-4	0 / 1	8
1	4	3	0 / 1	1	0-4	0 / 1	9
2	7	3	0 / 1	1	0-4	0 / 1	10
3	7	4	0 / 1	1	0-4	0 / 1	11
4	7	5	0 / 1	1	0-4	0 / 1	12
4	7	6	0 / 1	1	0-4	0 / 1	13
4	7	7	0 / 1	1	0-4	0 / 1	14

GU door hinges suitable for use in escape and rescue routes



CE-marked products from the GU group range

The market for doors made of PVC profiles is growing, and with it the expectation that PVC doors can also be used in escape and rescue routes.

- The hardware components have been adapted to various profile systems and tested by the ift Rosenheim in accordance with EN 14351-1
- Door fabricators approved by Gretsich-Unitas receive complete systems consisting of tested GU components with CE marking, test certificate and installation instructions
- If the prerequisites for external quality control (by a notified testing body) have been met, the fabricator can declare via the CE marking that his doors satisfy the "Release capability" criterion

All door hinges in this order catalogue tested to EN 1935 and therefore approved for use on escape and rescue doors are identified by the following symbol:



Example of a two-leaf escape door in accordance with EN 14351-1



Maximum security as standard



If you have the GU licence, testing of the "Release capability" element at a testing centre is not required.

Talk to us about the GU expert seminar with authorisation.

The following harmonised standards are applied to Gretsich-Unitas group products

DIN	Item	Description
EN 179	1	Emergency exit devices (in escape routes)
EN 1125	1	Panic exit devices (in escape routes)
EN 14846	2	Electromechanical locks and strikers (in fire protection doors)
EN 12209	2	Mechanical locks and strikers (in fire protection doors)
EN 1154	3	Door closers (in fire protection doors)
EN 1158	4	Door-leaf coordinator (in fire protection doors)
EN 1155	5	Electrical dogging mechanisms in swing doors (in fire protection doors)
EN 14637	6	Electrically controlled hold-open-systems (for fire and smoke protection doors)
EN 54-7	7	Fire alarm systems (Part 7: smoke detectors)
EN 1935	8	Uniaxial door and window hinges (in escape routes and/or fire protection doors)
EN 14967	9	Sealing sheets – Bitumen damp-proof sheets
EN 12101-2	-	Smoke and heat control systems

Hinge selection criteria and installation recommendations

Hinge placement depending on the door size



The selection, quantity and determination of the installation position of the hinges results from the estimated load-bearing capacity of the doors. Due to different influencing factors, the load on the hinge can often be many times more than the door weight.

When selecting the hinge, the following factors must be considered in order to prevent consequential damage:

- Place of installation and associated loads e.g.:
 - Private use (residential building)
 - Public buildings with heavy use
 - Frequent mishandling of the door (school or kindergarten)
- Door leaf size: For door leaf widths > 1000 mm, we recommend the use of an additional hinge in the upper third of the element
- Door opening direction (wind load)
- Door closers or swing-door drives
- Unfavourable wall reveals or doorstops

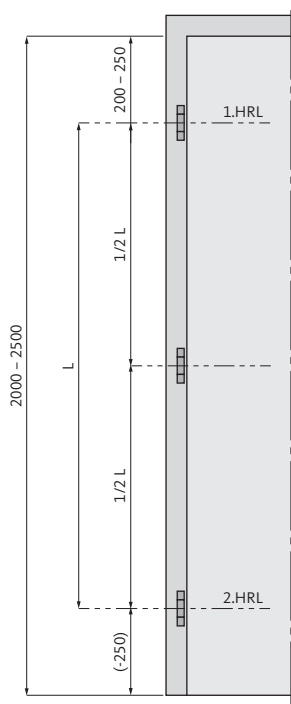
The load specifications of GU entrance door hinges are based on a maximum door leaf weight, taking into account the mentioned influencing factors and the installation recommendation mentioned below.

Where high demands are made on the door and the hinge, we generally recommend the use of an additional hinge in the upper third, approx. 350 mm below the top hinge.

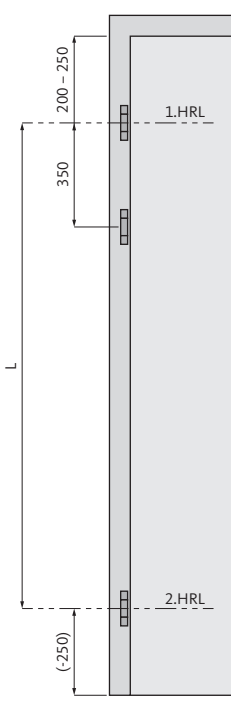
Hinge reference line (HRL) in accordance with DIN 18268

Door leaf height	Distance (L) between 1st and 2nd HRL
from 1860 up to 2100 mm	1435 mm
from 2111 up to 2235 mm	1560 mm
from 2236 up to 2360 mm	1685 mm

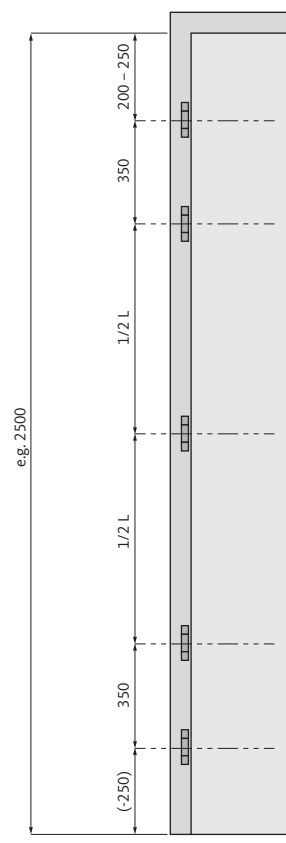
Installation recommendation according to leaf weights and door heights:



maximum door leaf weight 120 kg



140 kg



160 kg

Burglar-inhibiting components

GU door hinges according to EN 1627 up to 1630



GU M 516 3D – can be used in various rebated timber door systems, up to resistance class RC 3 in the system test



GU M 416 3D – can be used in various rebated timber door systems, up to resistance class RC 2 in the system test



GU G 816 F 100 – the hinge for PVC doors, up to resistance class RC 2 in the system test

Hinges for doors with burglar inhibition

Doors, windows and balcony-doors that can be tested and classified according to EN 1627 or EN 1630 are considered burglar-inhibiting.

The test is carried out on a complete system, such as a door including all components installed into it (e.g. locks and hinges).

The GU hinges GU M 416 3D and GU M 516 3D for various rebated timber door systems meet the high safety requirements up to resistance class RC 3 in the system test.

The door hinge GU G 816 F 100 meets the requirements up to resistance class RC 2 in the system test.

Burglar-inhibiting components

SKG-certified door hinges



GU G 816 F 100 –
SKG-certified screw-on hinge for PVC doors



GU R 816 3D –
SKG-certified barrel hinge for PVC project doors



GU A 316 3D – Universally useable
SKG-certified screw-on hinge for metal doors

Increased burglar protection through SKG-certified door hinges

The aim of SKG (Stichting Kwaliteit Gevelbouw – Foundation for facade engineering quality) is competent and independent certification, inspecting and testing of industrial products for the building envelope.

Among other things, the aim is to significantly increase the burglar resistance of outward-opening elements.

All door hinges in this order catalogue that are SKG-certified are identified by the following symbol:



Security set for external installation of screw-on hinges

The security set for external installation provides maximum security through the additional secured pins even for outward-opening doors.



- 1 Simply tap the security pin into the open screw head
- 2 Break off the shaft of the security pin.
- 3 The head of the security pin remains in the screw head and can no longer be detached using an assembly tool

The security set for external installation is available under the order number H-01484-00-0-1.



A series of horizontal grey lines spanning the width of the page, intended for writing notes.



Indication character of the technical information, exclusion of liability

The technical documents are general information based on our experience and tests and therefore do not take any specific application into account. They are intended as general information and for initial orientation only, and must not be used as the decision-making basis. They reflect the version of the catalogue at the time of going to press. Although we have made every attempt to ensure the information provided here is accurate, it is non-binding. It should be adapted to the respective construction projects, usage and specific on-site demands. As a consequence of further developments, but also in order to take current developments into account and to exclude printing errors or other mistakes, you will find the current version of the binding technical documents at www.g-u.com. Be sure to use the latest edition of our technical documents.

The product images shown in the publication may differ from the actual product, particularly as a result of technical improvements. We would also like to draw your attention to the current information at the website mentioned above.

Copyright notice

© All illustrations and texts in this publication are protected by copyright. Unless otherwise stated in the image, the rights belong to the Gretsch-Unitas group. Any use of copyright protected materials without the consent of the holder of the rights is prohibited.

Publisher
Gretsch-Unitas GmbH
Baubeschläge
Johann-Maus-Str. 3
71254 Ditzingen
Germany
Tel. +49 7156 301-0
Fax +49 7156 301-293
www.g-u.com



WINDOW TECHNOLOGY
DOOR TECHNOLOGY
AUTOMATIC ENTRANCE SYSTEMS
BUILDING MANAGEMENT SYSTEMS

Gretsch-Unitas GmbH
Baubeschlage
Johann-Maus-Str. 3
71254 Ditzingen
Germany
Tel. +49 7156 301-0
Fax +49 7156 301-77980

BKS GmbH
Heidestr. 71
42549 Velbert
Germany
Tel. +49 2051 201-0
Fax +49 2051 201-9733

www.g-u.com

Securing technology for you

