



WINDOW TECHNOLOGY  
DOOR TECHNOLOGY  
AUTOMATIC ENTRANCE SYSTEMS  
BUILDING MANAGEMENT SYSTEMS



Person photo: Getty Images

WINDOW AND DOOR TECHNOLOGY – ORDER CATALOGUE



## GU system thresholds for PVC and timber elements

Edition 04/2021

Securing technology for you



# The Gretsch-Unitas Group

Opening, moving, closing, securing – true to its motto "Securing technology for you", Gretsch-Unitas group provides groundbreaking solutions for window and door technology, automatic entrance systems and building management systems. With its system brands, the group delivers solutions for burglar inhibition on doors and windows, for barrier-free building, for doors in escape and rescue routes, extending to individual facade solutions for projects.



## Gretsch-Unitas GmbH Baubeschläge



GU in Ditzingen is the headquarters of the group, development, administration and the production of modern architectural hardware for window and door technology. Apart from different flexible assembly departments, the production site comprises a high-tech punching, galvanising and anodising facility.

## BKS GmbH



BKS manufactures mechanical and electronic locking cylinders, locks, locking systems and panic locks for escape and rescue routes. Harmonised mechanical and electronic system solutions are available for access control.

## FERCO International S.A.S.



Ferco is the largest production site for window hardware in France. As a subsidiary of the Gretsch-Unitas group, Ferco also offers customer support and distribution in France for all products of the group.



**GU Automatic**



GU Automatic offers innovative, secure and reliable solutions for automatic entrance systems and automatic door systems, revolving doors, all-glass sliding walls, security curved sliding doors and controlled physical access.

**ela-soft**



The successful GEMOS facility management and organisation system was designed by ela-soft, one of the market and technology leaders in the building technology branch.

Securing technology for you







## For PVC elements

Table of contents

Page 7

## For timber elements

Table of contents

Page 121

## Individual components

Table of contents

Page 141

## Additional information

Table of contents

Page 179





## GU system thresholds for PVC elements

### Ordering made easy

|   |    |
|---|----|
| GU system solutions with threshold-to-frame connector | 10 |
| GU system solutions with counter-milled groove        | 11 |

### System overviews

|   |     |
|---|-----|
| Aluplast Ideal 2000                           | 12  |
| Aluplast Ideal 4000                           | 14  |
| Aluplast Ideal 5000                           | 16  |
| Aluplast Ideal 7000                           | 18  |
| Aluplast Ideal 7000 <b>floor-flush</b>        | 20  |
| Aluplast Ideal 8000                           | 24  |
| Aluplast Ideal 8000 <b>floor-flush</b>        | 26  |
| Deceuninck Arcade / Elite                     | 30  |
| Deceuninck Prestige                           | 34  |
| Deceuninck Eforte                             | 36  |
| Gealan S 7000 IQ                              | 38  |
| Gealan S 7000 IQ plus                         | 40  |
| Gealan S 8000 IQ                              | 42  |
| Gealan S 8000 IQ plus                         | 46  |
| Gealan S 9000                                 | 50  |
| Gealan S 9000 <b>floor-flush</b>              | 52  |
| Profine Kömmerling 70                         | 56  |
| Profine KBE 76 AD                             | 60  |
| Profine Kömmerling 76 AD                      | 62  |
| Profine Trocal 76 AD                          | 64  |
| Profine 76 AD <b>floor-flush</b>              | 66  |
| Profine KBE 88+                               | 70  |
| Profine Kömmerling 88+                        | 72  |
| Profine Trocal 88+                            | 74  |
| Rehau 70                                      | 76  |
| Rehau Synego 80                               | 78  |
| Rehau Synego 80 <b>floor-flush</b>            | 80  |
| Rehau Geneo                                   | 84  |
| Rehau Profil Euro 86                          | 86  |
| Salamander bluEvolution 73                    | 88  |
| Salamander bluEvolution 82 <b>floor-flush</b> | 90  |
| Salamander bluEvolution 92                    | 94  |
| Schüco Corona SI 82                           | 96  |
| Veka Topline 70                               | 98  |
| Veka Softline 76                              | 102 |
| Veka Softline 76 <b>floor-flush</b>           | 104 |
| Veka Softline 82                              | 108 |
| Veka Softline 82 <b>floor-flush</b>           | 116 |



## System solutions for PVC elements



**Rated sound insulation  
value according  
to EN ISO 10140-2  
up to 45 dB\***

**\*see page 180**







# GU system solutions with threshold-to-frame connector

Ordering made easy



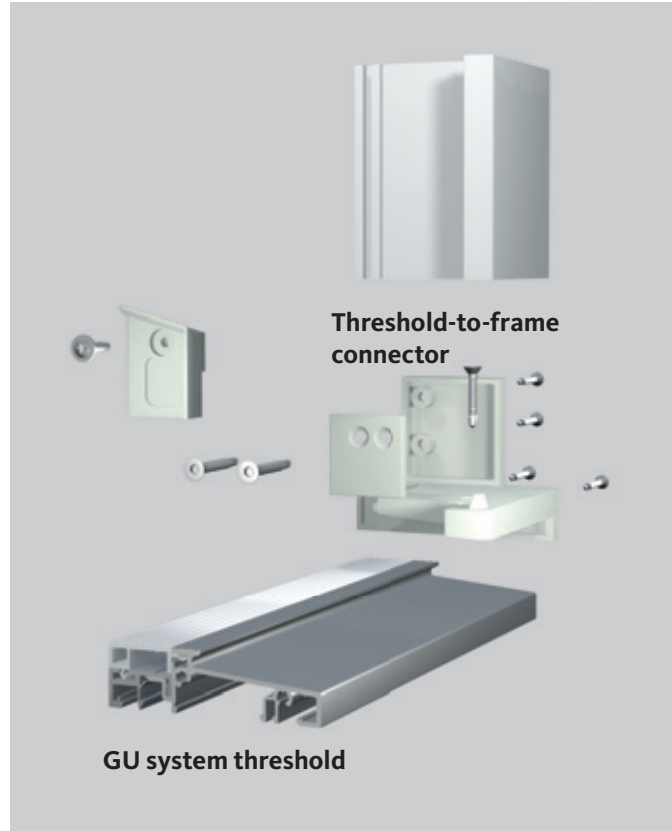
## Overview of components

### Installation of threshold with threshold-to-frame connector

The thermally-broken GU system threshold is compatible with different PVC profile systems. Profile-specific threshold-to-frame connectors guarantee optimum connection of frame and threshold with minimum installation effort.

#### Advantages:

- Fast and efficient connection of threshold and frame
- The threshold-to-mullion connector serves as adapter between the threshold and the mullion which is cut at a right angle
- The connector is bolted into either side of the frame profile
- High static values thanks to the possibility to screw into the steel reinforcement
- High UV resistance of materials used
- Brush seals in the area of the door rebate or rebate gasket



## Ordering made easy

You can find the right threshold-to-frame connector for each profile system in the Chapter "GU system thresholds for PVC elements".

**Aluplast Ideal 7000**  
GU system threshold 227 V / 228 V

**Product characteristics**

- For use in house entrance and balcony doors
- GU systems are installed flush with the threshold surface
- Connection threshold-to-frame / threshold-to-mullion connection
- Bolts connection by means of system-specific extension profiles
- Thermal break with PVC profile
- No condensation on the inside
- Good thermal insulation

**Matching threshold extensions by Aluplast**

- 180201     ■ 180206
- 180202     ■ 180209
- 180204     ■ 180211
- 180209     ■ 180221

**Installation drawing**

- 0146077

**Aluplast Ideal 7000**  
GU system threshold 227 V / 228 V

**GU system threshold 227 V / 228 V**

| Designation | Dimensions [mm] | Finish | PU       | Order number   |
|-------------|-----------------|--------|----------|----------------|
| 5122        | 85 x 80         | grey   | 10 pairs | 6-35122-00-0-1 |
| 5127        | 85 x 70         | grey   | 10 pairs | 6-38635-00-0-1 |

**Threshold-to-frame connector**

| Designation | Dimensions [mm] | Finish | PU       | Order number   |
|-------------|-----------------|--------|----------|----------------|
| 5122        | 85 x 80         | grey   | 10 pairs | 6-35122-00-0-1 |
| 5127        | 85 x 70         | grey   | 10 pairs | 6-38635-00-0-1 |



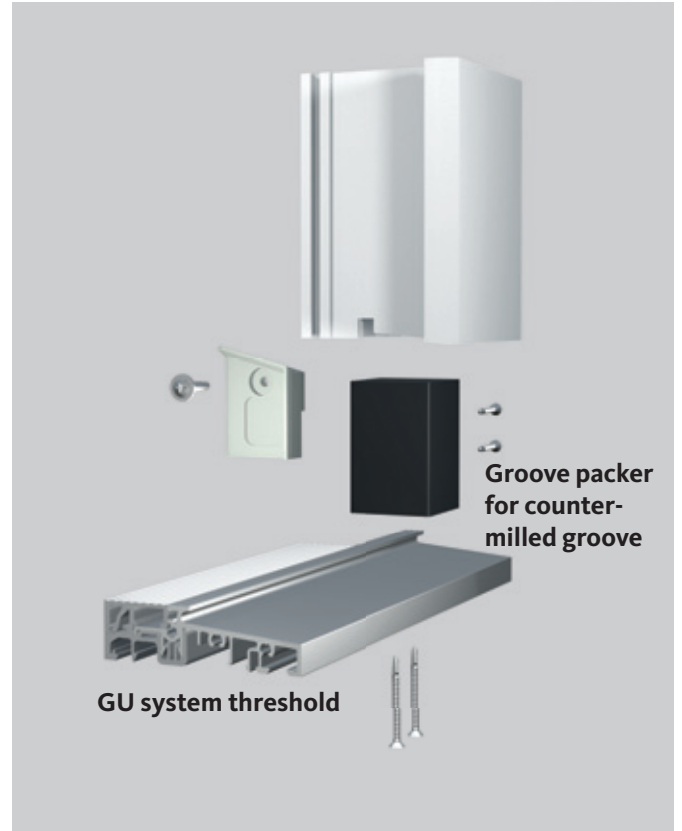
## Overview of components

### Installation of threshold with counter-milled groove

The counter-milled groove creates an anti-twist form-locking connection between the GU system threshold and frame profile. In this situation, profile-specific groove packers make it possible to achieve a precise-fitting connection between the frame and the threshold.

#### Advantages:

- Visually appealing connection of threshold and frame
- Screw connection of frame in the area of the groove packer
- High UV resistance of materials used
- Brush seals in the area of the door rebate or rebate gasket



## Ordering made easy

You can find the right groove packer for counter-milled groove for each profile system in the Chapter "GU system thresholds for PVC elements".

**Aluplast Ideal 7000**  
GU system threshold 227 V / 228 V

**Product characteristics**

- For use at house entrance and balcony doors
- GU system with installed flap with the metal surface
- Consistent threshold-to-frame / threshold-to-mullion connection
- Fasten connection by means of system-specific extension profiles
- Thermal break with PVC profile
- No condensation on the inside
- Good thermal insulation

**Matching threshold extensions by Aluplast**

- 180201    ■ 180208
- 180202    ■ 180209
- 180204    ■ 120221
- 180205    ■ 120223

**Installation drawing**

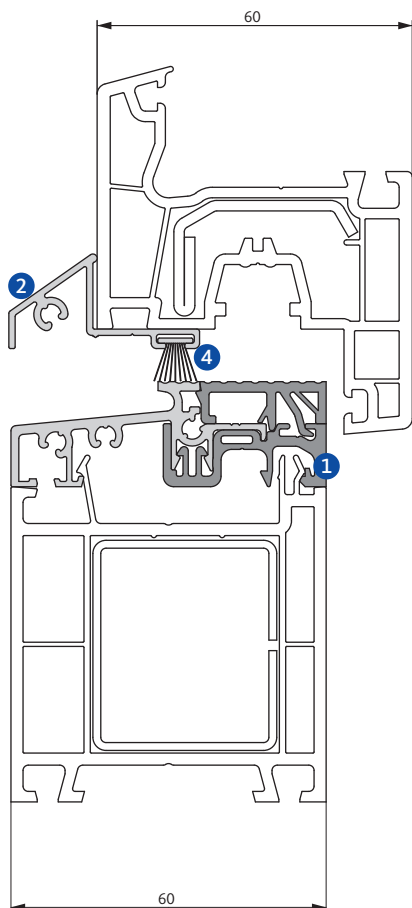
- 0-60077

**Aluplast Ideal 7000**  
GU system threshold 227 V / 228 V

| Designation             | Dimensions [mm] | Finish   | PU    | Order number   |
|-------------------------|-----------------|----------|-------|----------------|
| Groove packer F 28 - 35 | 28 x 35 x 1250  | coloured | 20 pc | H-12028-35-0-0 |
| Groove packer F 35 - 40 | 35 x 40 x 1250  | coloured | 15 pc | H-12035-40-0-0 |

# Aluplast Ideal 2000

GU system threshold 223 V / 228 V



## Product characteristics

- For use at house entrance and balcony-doors
- GU strikers are installed flush with the tread surface
- Convenient threshold-to-frame / threshold-to-mullion connection
- Bottom connection by means of system-specific extension profiles
- Thermal break with PVC profiles
- No condensation on the inside
- Good thermal insulation

## Matching threshold extensions by Aluplast

- 120220
- 120242
- 120221
- 120223

## Installation drawing

- 0-46644



## 1 GU system threshold 223 V / 228 V

| Designation  |                              | Dimensions [mm] | Finish     | PU   | Order number   |
|--------------|------------------------------|-----------------|------------|------|----------------|
| GU SBS 223 V | without roller shutter guide | 60 x 20 x 5800  | EV1 / grey | 29 m | 6-38007-58-0-1 |
| GU SBS 228 V | for roller shutter guide     | 120 x 20 x 5800 | EV1 / grey | 29 m | 6-38010-58-0-1 |

## Threshold-to-frame connector

| Designation |                              | Dimensions [mm] | Finish | PU       | Order number   |
|-------------|------------------------------|-----------------|--------|----------|----------------|
| 5109        | for Aluplast 120002 / 120007 | 60 x 70         | grey   | 25 pairs | 6-35109-00-0-1 |
| 5110        | for Aluplast 120003          | 60 x 80         | grey   | 25 pairs | 6-35110-00-0-1 |

## Threshold-to-mullion connector

| Designation |                              | Dimensions [mm] | Finish | PU    | Order number   |
|-------------|------------------------------|-----------------|--------|-------|----------------|
| 5111        | for Aluplast 120041 / 120042 | 60 x 80         | grey   | 10 pc | 6-35111-00-0-1 |
| 5112        | for Aluplast 120043          | 60 x 100        | grey   | 10 pc | 6-35112-00-0-1 |

## 2 Drip rail 242 + end cap 242

| Designation    |                     | Dimensions [mm]  | Finish | PU        | Order number   |
|----------------|---------------------|------------------|--------|-----------|----------------|
| Drip rail 242g | without accessories | 44.5 x 18 x 6000 | EV1    | 60 m      | 6-35266-60-0-1 |
|                |                     | 44.5 x 18 x 2000 | EV1    | 60 m      | 6-35266-20-0-1 |
| End cap 242    | for drip rail 242g  | -                | grey   | 100 pairs | 9-46028-00-0-1 |
| Drip rail 242b | without accessories | 44.5 x 18 x 6000 | brown  | 60 m      | 6-35266-60-0-5 |
|                |                     | 44.5 x 18 x 2000 | brown  | 60 m      | 6-35266-20-0-5 |
| End cap 242    | for drip rail 242b  | -                | brown  | 100 pairs | 9-46028-00-0-5 |
| Drip rail 242w | without accessories | 44.5 x 18 x 6000 | white  | 60 m      | 6-35266-60-0-7 |
|                |                     | 44.5 x 18 x 2000 | white  | 60 m      | 6-35266-20-0-7 |
| End cap 242    | for drip rail 242w  | -                | white  | 100 pairs | 9-46028-00-0-7 |

## 4 Brush seal for drip rail

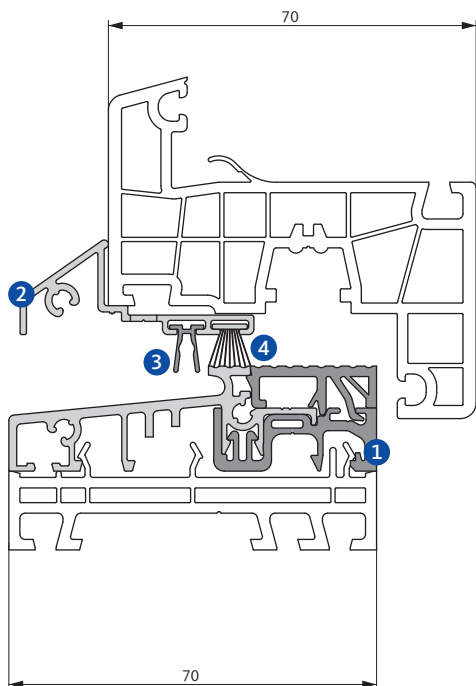
| Designation | Dimensions [mm] | Finish | PU    | Order number   |
|-------------|-----------------|--------|-------|----------------|
| Brush seal  | 10              | grey   | 150 m | H-01159-00-0-1 |

## Groove packer for counter-milled groove

| Designation             | Dimensions [mm] | Finish   | PU    | Order number   |
|-------------------------|-----------------|----------|-------|----------------|
| Groove packer F 28 - 35 | 28 x 35 x 1250  | coloured | 20 pc | H-12028-35-0-0 |
| Groove packer F 30 - 30 | 30 x 30 x 1250  | coloured | 25 pc | H-12030-30-0-0 |

# Aluplast Ideal 4000

GU system threshold 226 V / 228 V



## Product characteristics

- For use at house entrance and balcony-doors
- GU strikers are installed flush with the tread surface
- Convenient threshold-to-frame / threshold-to-mullion connection
- Bottom connection by means of system-specific extension profiles
- Thermal break with PVC profiles
- No condensation on the inside
- Good thermal insulation

## Matching threshold extensions by Aluplast

- 140205
- 140207
- 140208
- 140209
- 120220
- 120223

## Installation drawing

- 0-46627





### 1 GU system threshold 226 V / 228 V

| Designation  |                              | Dimensions [mm] | Finish     | PU   | Order number   |
|--------------|------------------------------|-----------------|------------|------|----------------|
| GU SBS 226 V | without roller shutter guide | 70 x 20 x 5800  | EV1 / grey | 29 m | 6-38008-58-0-1 |
| GU SBS 228 V | for roller shutter guide     | 120 x 20 x 5800 | EV1 / grey | 29 m | 6-38010-58-0-1 |

### Threshold-to-frame connector

| Designation |  | Dimensions [mm] | Finish | PU       | Order number   |
|-------------|--|-----------------|--------|----------|----------------|
| 5116        | for Aluplast 040002                    | 70 x 55         | grey   | 25 pairs | 6-38806-00-0-1 |
| 5113        | for Aluplast 140008                    | 70 x 70         | grey   | 10 pairs | 6-35113-00-0-1 |
| 5114        | for Aluplast 140002 / 140007 / 150002  | 70 x 70         | grey   | 25 pairs | 6-35114-00-0-1 |
| 5115        | for Aluplast 140003 / 150003           | 70 x 80         | grey   | 25 pairs | 6-35115-00-0-1 |
| 5348-1      | for Aluplast 140081 Swiss asymmetrical | 70 x 100        | grey   | 10 pairs | 6-35348-01-0-1 |
| 5132        | for Aluplast 140053                    | 120 x 64        | grey   | 10 pairs | 6-35132-00-0-1 |
| 5133        | for Aluplast 140091                    | 120 x 65        | grey   | 10 pairs | 6-35133-00-0-1 |

### Threshold-to-mullion connector

| Designation |  | Dimensions [mm] | Finish | PU    | Order number   |
|-------------|--|-----------------|--------|-------|----------------|
| 5118        | for Aluplast 140047                      | 70 x 84         | grey   | 10 pc | 6-35118-00-0-1 |
| 5119        | for Aluplast 140041 / 044 / 150041 / 044 | 70 x 84         | grey   | 10 pc | 6-35119-00-0-1 |
| 5120        | for Aluplast 140045 / 150043             | 70 x 104        | grey   | 10 pc | 6-35120-00-0-1 |

### 2 Drip rail 247 + end cap 242

| Designation    |                              | Dimensions [mm]  | Finish | PU         | Order number   |
|----------------|------------------------------|------------------|--------|------------|----------------|
| Drip rail 247g | without accessories          | 44.5 x 18 x 5520 | EV1    | 55.2 m     | 6-34828-56-0-1 |
|                | with end caps and brush seal | 44.5 x 18 x 1840 | EV1    | 30 pc      | 6-34828-18-0-1 |
|                | with end caps and brush seal | 44.5 x 18 x 1100 | EV1    | Set of 25* | 6-34828-00-0-1 |
| End cap 242    | for drip rail 247g           | -                | grey   | 100 pairs  | 9-46028-00-0-1 |
| Drip rail 247b | without accessories          | 44.5 x 18 x 5520 | brown  | 55.2 m     | 6-34828-56-0-5 |
|                | with end caps and brush seal | 44.5 x 18 x 1840 | brown  | 30 pc      | 6-34828-18-0-5 |
|                | with end caps and brush seal | 44.5 x 18 x 1100 | brown  | Set of 25* | 6-34828-00-0-5 |
| End cap 242    | for drip rail 247b           | -                | brown  | 100 pairs  | 9-46028-00-0-5 |
| Drip rail 247w | without accessories          | 44.5 x 18 x 5520 | white  | 55.2 m     | 6-34828-56-0-7 |
|                | with end caps and brush seal | 44.5 x 18 x 1840 | white  | 30 pc      | 6-34828-18-0-7 |
|                | with end caps and brush seal | 44.5 x 18 x 1100 | white  | Set of 25* | 6-34828-00-0-7 |
| End cap 242    | for drip rail 247w           | -                | white  | 100 pairs  | 9-46028-00-0-7 |

\* Contains: 25 x 1100 mm drip rail, 25 pairs of end caps, 25 x 1100 mm brush seals

### Lip and brush seal for drip rail

| Designation |            | Dimensions [mm] | Finish | PU     | Order number   |
|-------------|------------|-----------------|--------|--------|----------------|
| 3           | Lip seal   | 6 x 9 x 1100    | grey   | 100 pc | P-01922-01-0-1 |
| 4           | Brush seal | 10              | grey   | 150 m  | H-01159-00-0-1 |

### Groove packer for counter-milled groove

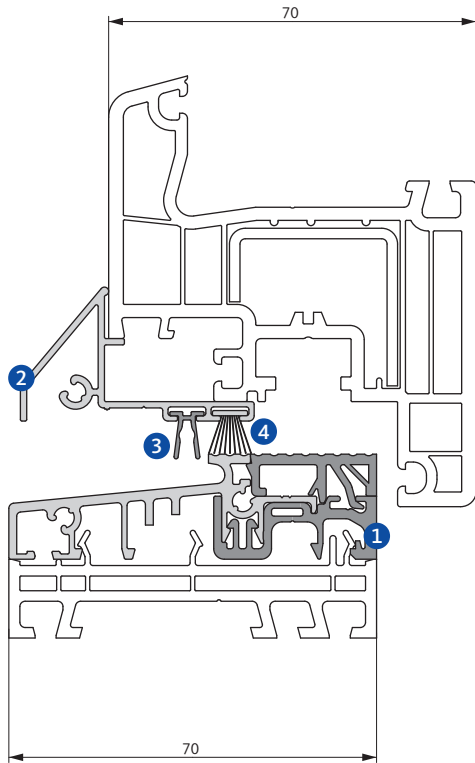
| Designation             |  | Dimensions [mm] | Finish   | PU    | Order number   |
|-------------------------|--|-----------------|----------|-------|----------------|
| Groove packer F 28 - 35 |  | 28 x 35 x 1250  | coloured | 20 pc | H-12028-35-0-0 |
| Groove packer F 35 - 40 |  | 35 x 40 x 1250  | coloured | 15 pc | H-12035-40-0-0 |
| Groove packer F 38 - 40 |  | 38 x 40 x 1250  | coloured | 15 pc | H-12038-40-0-0 |

# Aluplast Ideal 5000

GU system threshold 226 V / 228 V



**GU**



## Product characteristics

- For use at house entrance and balcony-doors
- GU strikers are installed flush with the tread surface
- Convenient threshold-to-frame / threshold-to-mullion connection
- Bottom connection by means of system-specific extension profiles
- Thermal break with PVC profiles
- No condensation on the inside
- Good thermal insulation

## Matching threshold extensions by Aluplast

- 140205
- 140207
- 140208
- 140209
- 120220
- 120223

## Installation drawing

- 0-46591



### 1 GU system threshold 226 V / 228 V

| Designation  |                              | Dimensions [mm] | Finish     | PU   | Order number   |
|--------------|------------------------------|-----------------|------------|------|----------------|
| GU SBS 226 V | without roller shutter guide | 70 x 20 x 5800  | EV1 / grey | 29 m | 6-38008-58-0-1 |
| GU SBS 228 V | for roller shutter guide     | 120 x 20 x 5800 | EV1 / grey | 29 m | 6-38010-58-0-1 |

### Threshold-to-frame connector

| Designation |  | Dimensions [mm] | Finish | PU       | Order number   |
|-------------|--|-----------------|--------|----------|----------------|
| 5114        | for Aluplast 140002 / 140007 / 150002  | 70 x 70         | grey   | 25 pairs | 6-35114-00-0-1 |
| 5115        | for Aluplast 140003 / 150003           | 70 x 80         | grey   | 25 pairs | 6-35115-00-0-1 |
| 5348-2      | for Aluplast 150004 Swiss asymmetrical | 70 x 100        | grey   | 10 pairs | 6-35348-02-0-1 |

### Threshold-to-mullion connector

| Designation |  | Dimensions [mm] | Finish | PU    | Order number   |
|-------------|--|-----------------|--------|-------|----------------|
| 5119        | for Aluplast 140041 / 044 / 150041 / 044 | 70 x 84         | grey   | 10 pc | 6-35119-00-0-1 |
| 5120        | for Aluplast 140045 / 150043             | 70 x 104        | grey   | 10 pc | 6-35120-00-0-1 |

### 2 Drip rail 262 + end cap 244

| Designation    |                     | Dimensions [mm]    | Finish | PU        | Order number   |
|----------------|---------------------|--------------------|--------|-----------|----------------|
| Drip rail 262g | without accessories | 44.5 x 25.5 x 6000 | EV1    | 60 m      | 9-47391-60-0-1 |
|                |                     | 44.5 x 25.5 x 2000 | EV1    | 60 m      | 9-47391-20-0-1 |
| End cap 244    | for drip rail 262g  | -                  | grey   | 100 pairs | 9-46029-00-0-1 |
| Drip rail 262b | without accessories | 44.5 x 25.5 x 6000 | brown  | 60 m      | 9-47391-60-0-5 |
|                |                     | 44.5 x 25.5 x 2000 | brown  | 60 m      | 9-47391-20-0-5 |
| End cap 244    | for drip rail 262b  | -                  | brown  | 100 pairs | 9-46029-00-0-5 |
| Drip rail 262w | without accessories | 44.5 x 25.5 x 6000 | white  | 60 m      | 9-47391-60-0-7 |
|                |                     | 44.5 x 25.5 x 2000 | white  | 60 m      | 9-47391-20-0-7 |
| End cap 244    | for drip rail 262w  | -                  | white  | 100 pairs | 9-46029-00-0-7 |

### Lip and brush seal for drip rail

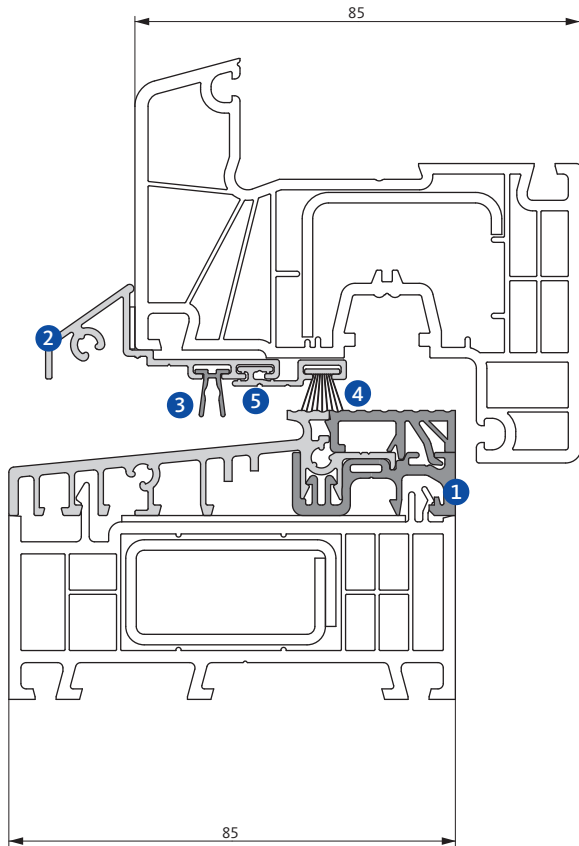
| Designation |            | Dimensions [mm] | Finish | PU     | Order number   |
|-------------|------------|-----------------|--------|--------|----------------|
| 3           | Lip seal   | 6 x 9 x 1100    | grey   | 100 pc | P-01922-01-0-1 |
| 4           | Brush seal | 10              | grey   | 150 m  | H-01159-00-0-1 |

### Groove packer for counter-milled groove

| Designation             |  | Dimensions [mm] | Finish   | PU    | Order number   |
|-------------------------|--|-----------------|----------|-------|----------------|
| Groove packer F 30 - 30 |  | 30 x 30 x 1250  | coloured | 25 pc | H-12030-30-0-0 |
| Groove packer F 38 - 40 |  | 38 x 40 x 1250  | coloured | 15 pc | H-12038-40-0-0 |

# Aluplast Ideal 7000

GU system threshold 227 V / 228 V



## Product characteristics

- For use at house entrance and balcony-doors
- GU strikers are installed flush with the tread surface
- Convenient threshold-to-frame / threshold-to-mullion connection
- Bottom connection by means of system-specific extension profiles
- Thermal break with PVC profiles
- No condensation on the inside
- Good thermal insulation

## Matching threshold extensions by Aluplast

- |          |          |
|----------|----------|
| ■ 180201 | ■ 140208 |
| ■ 180203 | ■ 120220 |
| ■ 180204 | ■ 120221 |
| ■ 180209 | ■ 120223 |

## Installation drawing

- 0-46607



### 1 GU system threshold 227 V / 228 V

| Designation  |                              | Dimensions [mm] | Finish     | PU   | Order number   |
|--------------|------------------------------|-----------------|------------|------|----------------|
| GU SBS 227 V | without roller shutter guide | 85 x 20 x 5800  | EV1 / grey | 29 m | 6-38009-58-0-1 |
| GU SBS 228 V | for roller shutter guide     | 120 x 20 x 5800 | EV1 / grey | 29 m | 6-38010-58-0-1 |

### Threshold-to-frame connector

| Designation |                     | Dimensions [mm] | Finish | PU       | Order number   |
|-------------|---------------------|-----------------|--------|----------|----------------|
| 5122        | for Aluplast 170003 | 85 x 80         | grey   | 10 pairs | 6-35122-00-0-1 |
| 5127        | for Aluplast 170002 | 85 x 70         | grey   | 10 pairs | 6-38635-00-0-1 |

### Threshold-to-mullion connector

| Designation |                     | Dimensions [mm] | Finish | PU    | Order number   |
|-------------|---------------------|-----------------|--------|-------|----------------|
| 5121        | for Aluplast 170044 | 85 x 104        | grey   | 10 pc | 6-35121-00-0-1 |

### 2 Drip rail 247 + end cap 242

| Designation    |                              | Dimensions [mm]  | Finish | PU         | Order number   |
|----------------|------------------------------|------------------|--------|------------|----------------|
| Drip rail 247g | without accessories          | 44.5 x 18 x 5520 | EV1    | 55.2 m     | 6-34828-56-0-1 |
|                |                              | 44.5 x 18 x 1840 | EV1    | 30 pc      | 6-34828-18-0-1 |
|                | with end caps and brush seal | 44.5 x 18 x 1100 | EV1    | Set of 25* | 6-34828-00-0-1 |
| End cap 242    | for drip rail 247g           | -                | grey   | 100 pairs  | 9-46028-00-0-1 |
| Drip rail 247b | without accessories          | 44.5 x 18 x 5520 | brown  | 55.2 m     | 6-34828-56-0-5 |
|                |                              | 44.5 x 18 x 1840 | brown  | 30 pc      | 6-34828-18-0-5 |
|                | with end caps and brush seal | 44.5 x 18 x 1100 | brown  | Set of 25* | 6-34828-00-0-5 |
| End cap 242    | for drip rail 247b           | -                | brown  | 100 pairs  | 9-46028-00-0-5 |
| Drip rail 247w | without accessories          | 44.5 x 18 x 5520 | white  | 55.2 m     | 6-34828-56-0-7 |
|                |                              | 44.5 x 18 x 1840 | white  | 30 pc      | 6-34828-18-0-7 |
|                | with end caps and brush seal | 44.5 x 18 x 1100 | white  | Set of 25* | 6-34828-00-0-7 |
| End cap 242    | for drip rail 247w           | -                | white  | 100 pairs  | 9-46028-00-0-7 |

\* Contains: 25 x 1100 mm drip rail, 25 pairs of end caps, 25 x 1100 mm brush seals

### Lip and brush seal for drip rail

| Designation |            | Dimensions [mm] | Finish | PU     | Order number   |
|-------------|------------|-----------------|--------|--------|----------------|
| 3           | Lip seal   | 6 x 9 x 1100    | grey   | 100 pc | P-01922-01-0-1 |
| 4           | Brush seal | 10              | grey   | 150 m  | H-01159-00-0-1 |

### 5 Drip rail extension

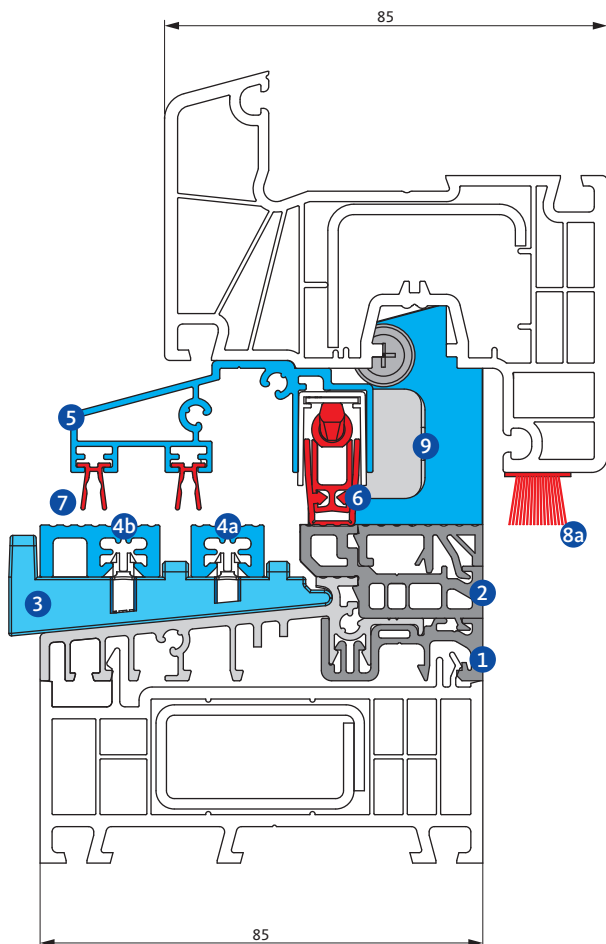
| Designation         |                   | Dimensions [mm] | Finish | PU   | Order number   |
|---------------------|-------------------|-----------------|--------|------|----------------|
| Drip rail extension | for drip rail 247 | 22 x 5 x 2000   | EV1    | 30 m | P-02008-20-0-1 |

### Groove packer for counter-milled groove

| Designation             |  | Dimensions [mm] | Finish   | PU    | Order number   |
|-------------------------|--|-----------------|----------|-------|----------------|
| Groove packer F 28 - 35 |  | 28 x 35 x 1250  | coloured | 20 pc | H-12028-35-0-0 |
| Groove packer F 35 - 40 |  | 35 x 40 x 1250  | coloured | 15 pc | H-12035-40-0-0 |

# Aluplast Ideal 7000

GU system threshold 227 V bb



## Product characteristics

- For use at house entrance and balcony-doors
- A few additional components turn the GU system threshold into a floor-flush threshold system
- Available with optional patented additional lock
  - tested security also for 2-sashed elements up to resistance class RC2 according to EN 1627
  - for secure central locking in combination with commercially-available Tilt&Turn hardware
  - Tilt-First version available as option
  - strikers are installed flush with the tread surface
- Simple and easy installation without any additional milling work on the element
- Tightness against driving rain up to class 9A (also with double-leaf doors)
- Good thermal insulation
- Unmodified structural connections in the area of the threshold

## Matching threshold extensions by Aluplast

- 180201
- 180203
- 180204
- 180209

## Installation drawing

- 0-48705

Suitable for barrier-free construction in compliance with DIN 18040







## 1 GU system threshold 227 V

| Designation  |                              | Dimensions [mm] | Finish     | PU   | Order number   |
|--------------|------------------------------|-----------------|------------|------|----------------|
| GU SBS 227 V | without roller shutter guide | 85 x 20 x 5800  | EV1 / grey | 29 m | 6-38009-58-0-1 |

## 2 SBS bb levelling profile

| Designation            |  | Length [mm] | Finish | PU     | Order number   |
|------------------------|--|-------------|--------|--------|----------------|
| ZAP1 levelling profile |  | 1200        | grey   | 100 pc | P-02174-12-0-1 |
|                        |  | 2000        | grey   | 40 m   | P-02174-20-0-1 |
|                        |  | 6000        | grey   | 120 m  | P-02174-60-0-1 |

## 3 SBS bb supporting bridge

| Designation            |  | Dimensions [mm] | Finish | PU    | Order number   |
|------------------------|--|-----------------|--------|-------|----------------|
| Z104 supporting bridge |  | -               | grey   | 50 pc | 6-39708-04-0-1 |

## SBS bb support profiles

| Designation |                         | Length [mm] | Finish     | PU     | Order number   |
|-------------|-------------------------|-------------|------------|--------|----------------|
| 4a          | Z114 support profile 14 | 1200        | EV1 / grey | 100 pc | P-02175-12-0-1 |
|             |                         | 2000        | EV1 / grey | 36 pc  | P-02175-20-0-1 |
|             |                         | 6000        | EV1 / grey | 120 m  | P-02175-60-0-1 |
| 4b          | Z123 support profile 23 | 1200        | EV1 / grey | 70 pc  | P-02178-12-0-1 |
|             |                         | 2000        | EV1 / grey | 36 pc  | P-02178-20-0-1 |
|             |                         | 6000        | EV1 / grey | 84 m   | P-02178-60-0-1 |

## Threshold-to-frame connector

| Designation |                     | Dimensions [mm] | Finish | PU       | Order number   |
|-------------|---------------------|-----------------|--------|----------|----------------|
| 5122        | for Aluplast 170003 | 85 x 80         | grey   | 10 pairs | 6-35122-00-0-1 |
| 5127        | for Aluplast 170002 | 85 x 70         | grey   | 10 pairs | 6-38635-00-0-1 |

## Threshold-to-mullion connector

| Designation |                     | Dimensions [mm] | Finish | PU    | Order number   |
|-------------|---------------------|-----------------|--------|-------|----------------|
| 5121        | for Aluplast 170044 | 85 x 104        | grey   | 10 pc | 6-35121-00-0-1 |

# Aluplast Ideal 7000

## GU system threshold 227 V bb



### 5 SBS bb drip rail + end cap

| Designation      |                     | Length [mm] | Finish | PU        | Order number   |
|------------------|---------------------|-------------|--------|-----------|----------------|
| Z201 drip rail   | without accessories | 1200        | EV1    | 30 pc     | P-02196-12-0-1 |
|                  |                     | 6000        | EV1    | 36 m      | P-02196-60-0-1 |
| ZE201 end cap WS | for Z201 drip rail  | -           | grey   | 100 pairs | 9-51335-01-0-1 |

### 6 SBS bb lowerable gasket incl. run-up stop

| Designation            | SRW [mm]  | Dimensions [mm] | Finish     | PU   | Order number   |
|------------------------|-----------|-----------------|------------|------|----------------|
| ZAD3 lowerable gasket  | 220-335   | 18 x 13 x 335   | EV1 / grey | 5 pc | H-01868-03-0-0 |
| ZAD4 lowerable gasket  | 336-460   | 18 x 13 x 460   | EV1 / grey | 5 pc | H-01868-04-0-0 |
| ZAD5 lowerable gasket  | 461-585   | 18 x 13 x 585   | EV1 / grey | 5 pc | H-01868-05-0-0 |
| ZAD7 lowerable gasket  | 586-710   | 18 x 13 x 710   | EV1 / grey | 5 pc | H-01868-07-0-0 |
| ZAD8 lowerable gasket  | 711-835   | 18 x 13 x 835   | EV1 / grey | 5 pc | H-01868-08-0-0 |
| ZAD9 lowerable gasket  | 836-960   | 18 x 13 x 960   | EV1 / grey | 5 pc | H-01868-09-0-0 |
| ZAD10 lowerable gasket | 961-1085  | 18 x 13 x 1085  | EV1 / grey | 5 pc | H-01868-10-0-0 |
| ZAD12 lowerable gasket | 1086-1210 | 18 x 13 x 1210  | EV1 / grey | 5 pc | H-01868-12-0-0 |

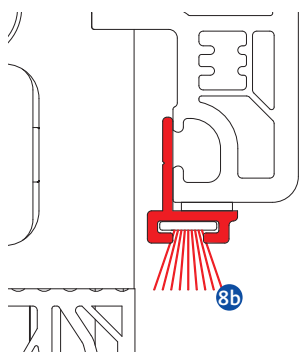
### Lip and brush seals

| Designation         |   | Dimensions [mm]  | Finish | PU     | Order number   |
|---------------------|---|------------------|--------|--------|----------------|
| 7                   | Lip seal                                    | 6 x 9 x 1100     | grey   | 100 pc | P-01922-01-0-1 |
| Not illustrated     | Brush seal, short, self-adhesive            | 12 x 8 x 27      | grey   | 100 pc | 9-49373-01-0-1 |
| 8a                  | Brush seal, self-adhesive                   | 12 x 10 x 1200   | grey   | 100 pc | H-01884-12-0-1 |
| Alternative for 8a: |   |                  |        |        |                |
| 8b                  | SBS bb Z-17315 brush seal 4P                | 6.7 x 8 x 1200   | grey   | 100 pc | 9-51903-12-0-0 |
|                     | SBS bb Z290 mounting profile, self-adhesive | 10.6 x 15 x 1200 | grey   | 100 pc | 6-40502-12-0-1 |

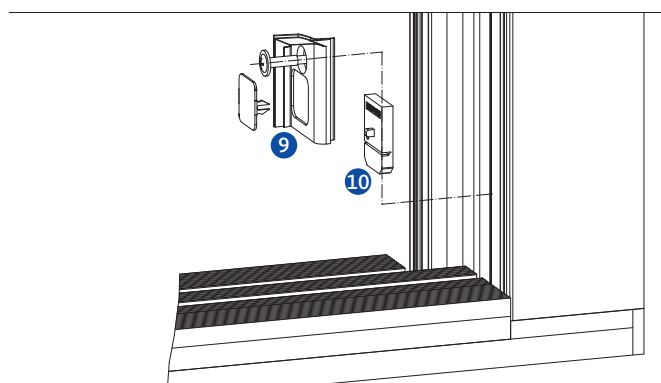
### SBS bb rebate seal

| Designation |                                      | Dimensions [mm] | Finish | PU        | Order number   |
|-------------|--------------------------------------|-----------------|--------|-----------|----------------|
| 9           | Z401 rebate seal, incl. fixing screw | -               | grey   | 100 pairs | 6-39768-50-0-1 |
| 10          | Z455 packer for rebate seal 5 mm     | -               | grey   | 200 pc    | 9-51565-50-0-1 |

#### Brush seal with mounting profile



#### Rebate seal





## Accessories for 2-sash elements

### **11** Dummy mullion sealing element with SBS bb dummy mullion adapter

| Designation  | Finish | PU   | Order number   |
|--|--------|------|----------------|
| ZS01 dummy mullion sealing element with dummy mullion adapter  | grey   | 5 pc | K-20094-05-0-1 |
| Contains: 1 x dummy mullion sealing element, 1 x dummy mullion adapter, 1 x sealing lip for supporting bridge, 3 x fixing screws |        |      |                |

## Additional accessories

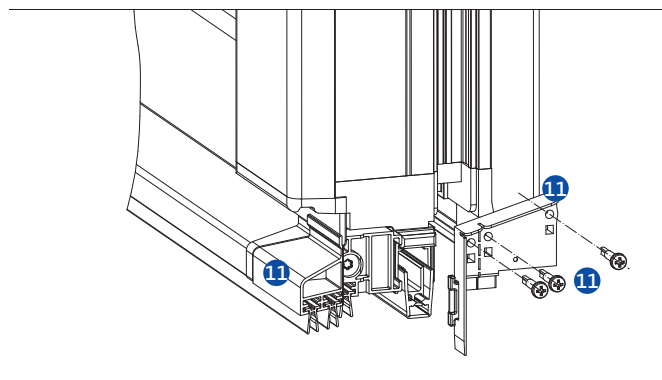
### Support plate

| Designation                          | Finish | PU     | Order number   |
|--------------------------------------|--------|--------|----------------|
| Support plate (sash hardware groove) | grey   | 100 pc | 9-35697-00-0-1 |

### Additional locks / strikers

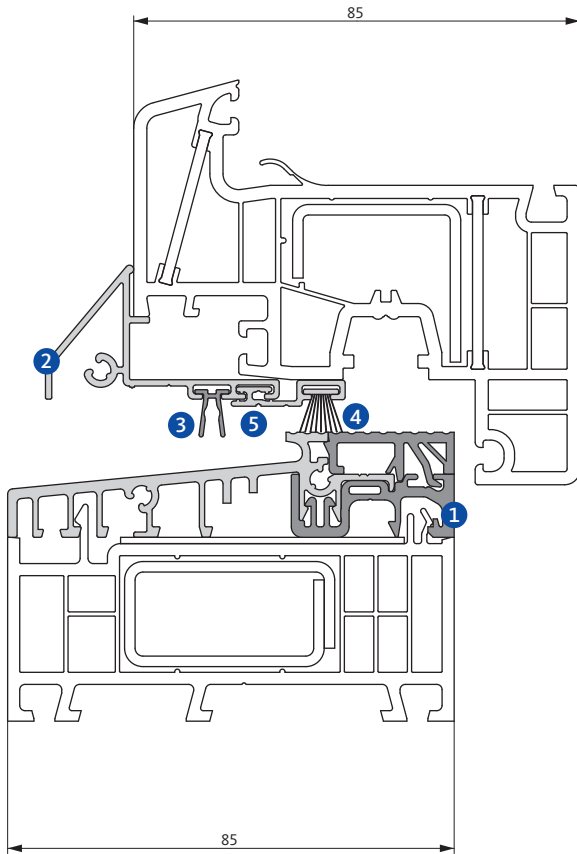
| Designation  |            |             | Finish     | PU   | Order number   |                |
|--|------------|-------------|------------|------|----------------|----------------|
|  |            |             |            |      | DIN LH         | DIN RH         |
| Additional lock SBS bb                                       | Tilt&Turn  | 2 deadbolts | galvanised | 1 pc | 6-39650-01-0-1 |                |
| Additional lock TF SBS bb                                    | Tilt-First | 1 deadbolt  | galvanised | 1 pc | 6-39650-02-L-1 | 6-39650-02-R-1 |
| Additional lock TU-ON SBS bb for ventilation restrictor-stay |            | 1 deadbolt  | galvanised | 1 pc | 6-39650-03-L-1 | 6-39650-03-R-1 |
| SBS bb striker   |            |             | galvanised | 1 pc | 9-51019-12-0-1 |                |
|  |            |             | galvanised | 1 pc | 9-51019-13-0-1 |                |
| Drilling jig for additional locks                            |            |             |            | 1 pc | 6-39804-01-0-1 |                |

Dummy mullion sealing element with dummy mullion adapter



# Aluplast Ideal 8000

GU system threshold 227 V / 228 V



## Product characteristics

- For use at house entrance and balcony-doors
- GU strikers are installed flush with the tread surface
- Convenient threshold-to-frame / threshold-to-mullion connection
- Bottom connection by means of system-specific extension profiles
- Thermal break with PVC profiles
- No condensation on the inside
- Good thermal insulation

## Matching threshold extensions by Aluplast

- |          |          |
|----------|----------|
| ■ 180201 | ■ 140208 |
| ■ 180203 | ■ 120220 |
| ■ 180204 | ■ 120221 |
| ■ 180209 | ■ 120223 |

## Installation drawing

- 0-46606



## 1 GU system threshold 227 V / 228 V

| Designation  |                              | Dimensions [mm] | Finish     | PU   | Order number   |
|--------------|------------------------------|-----------------|------------|------|----------------|
| GU SBS 227 V | without roller shutter guide | 85 x 20 x 5800  | EV1 / grey | 29 m | 6-38009-58-0-1 |
| GU SBS 228 V | for roller shutter guide     | 120 x 20 x 5800 | EV1 / grey | 29 m | 6-38010-58-0-1 |

## Threshold-to-frame connector

| Designation |                                  | Dimensions [mm] | Finish | PU       | Order number   |
|-------------|----------------------------------|-----------------|--------|----------|----------------|
| 5122        | for Aluplast 080005              | 85 x 80         | grey   | 10 pairs | 6-35122-00-0-1 |
| 5126        | for Aluplast 180003              | 85 x 80         | grey   | 10 pairs | 6-35126-00-0-1 |
| 5203        | for Aluplast 080004 asymmetrical | 85 x 100        | grey   | 10 pairs | 6-36136-01-0-1 |

## Threshold-to-mullion connector

| Designation |                     | Dimensions [mm] | Finish | PU    | Order number   |
|-------------|---------------------|-----------------|--------|-------|----------------|
| 5128        | for Aluplast 180043 | 85 x 104        | grey   | 10 pc | 6-35128-00-0-1 |

## 2 Drip rail 262 + end cap 244

| Designation    |                     | Dimensions [mm]    | Finish | PU        | Order number   |
|----------------|---------------------|--------------------|--------|-----------|----------------|
| Drip rail 262g | without accessories | 44.5 x 25.5 x 6000 | EV1    | 60 m      | 9-47391-60-0-1 |
|                |                     | 44.5 x 25.5 x 2000 | EV1    | 60 m      | 9-47391-20-0-1 |
| End cap 244    | for drip rail 262g  | -                  | grey   | 100 pairs | 9-46029-00-0-1 |
| Drip rail 262b | without accessories | 44.5 x 25.5 x 6000 | brown  | 60 m      | 9-47391-60-0-5 |
|                |                     | 44.5 x 25.5 x 2000 | brown  | 60 m      | 9-47391-20-0-5 |
| End cap 244    | for drip rail 262b  | -                  | brown  | 100 pairs | 9-46029-00-0-5 |
| Drip rail 262w | without accessories | 44.5 x 25.5 x 6000 | white  | 60 m      | 9-47391-60-0-7 |
|                |                     | 44.5 x 25.5 x 2000 | white  | 60 m      | 9-47391-20-0-7 |
| End cap 244    | for drip rail 262w  | -                  | white  | 100 pairs | 9-46029-00-0-7 |

## Lip and brush seal for drip rail

| Designation |            | Dimensions [mm] | Finish | PU     | Order number   |
|-------------|------------|-----------------|--------|--------|----------------|
| 3           | Lip seal   | 6 x 9 x 1100    | grey   | 100 pc | P-01922-01-0-1 |
| 4           | Brush seal | 10              | grey   | 150 m  | H-01159-00-0-1 |

## 5 Drip rail extension

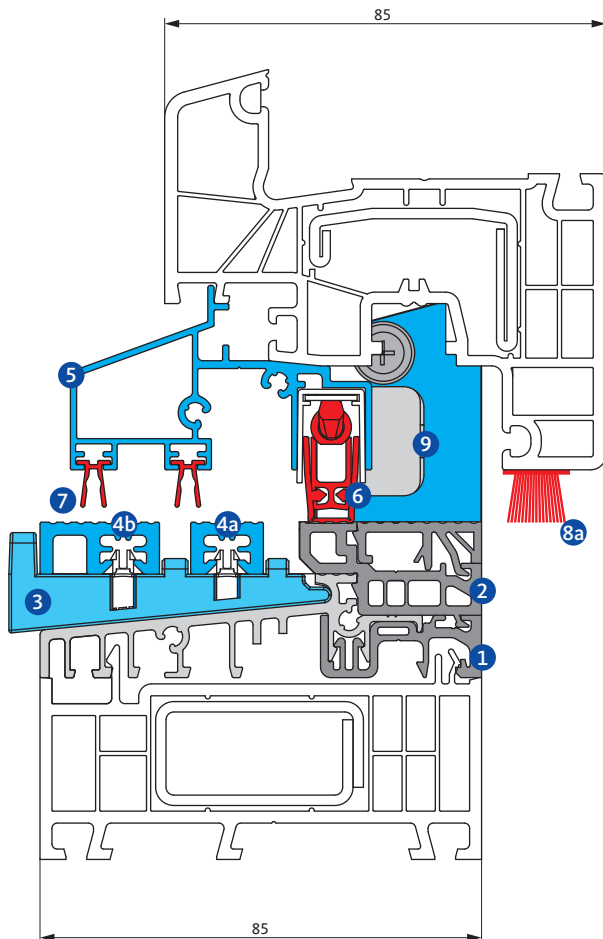
| Designation         |                   | Dimensions [mm] | Finish | PU   | Order number   |
|---------------------|-------------------|-----------------|--------|------|----------------|
| Drip rail extension | for drip rail 262 | 22 x 5 x 2000   | EV1    | 30 m | P-02008-20-0-1 |

## Groove packer for counter-milled groove

| Designation             |  | Dimensions [mm] | Finish   | PU    | Order number   |
|-------------------------|--|-----------------|----------|-------|----------------|
| Groove packer F 30 - 30 |  | 30 x 30 x 1250  | coloured | 25 pc | H-12030-30-0-0 |
| Groove packer F 35 - 47 |  | 35 x 47 x 1250  | coloured | 15 pc | H-12035-47-0-0 |

# Aluplast Ideal 8000

GU system threshold 227 V bb



## Product characteristics

- For use at house entrance and balcony-doors
- A few additional components turn the GU system threshold into a floor-flush threshold system
- Available with optional patented additional lock
  - tested security also for 2-sashed elements up to resistance class RC2 according to EN 1627
  - for secure central locking in combination with commercially-available Tilt&Turn hardware
  - Tilt-First version available as option
  - strikers are installed flush with the tread surface
- Simple and easy installation without any additional milling work on the element
- Tightness against driving rain up to class 9A (also with double-leaf doors)
- Good thermal insulation
- Unmodified structural connections in the area of the threshold

## Matching threshold extensions by Aluplast

- 180201
- 180203
- 180204
- 180209

## Installation drawing

- 0-48706

Suitable for barrier-free construction in compliance with DIN 18040







## 1 GU system threshold 227 V

| Designation  |                              | Dimensions [mm] | Finish     | PU   | Order number   |
|--------------|------------------------------|-----------------|------------|------|----------------|
| GU SBS 227 V | without roller shutter guide | 85 x 20 x 5800  | EV1 / grey | 29 m | 6-38009-58-0-1 |

## 2 SBS bb levelling profile

| Designation            |  | Length [mm] | Finish | PU     | Order number   |
|------------------------|--|-------------|--------|--------|----------------|
| ZAP1 levelling profile |  | 1200        | grey   | 100 pc | P-02174-12-0-1 |
|                        |  | 2000        | grey   | 40 m   | P-02174-20-0-1 |
|                        |  | 6000        | grey   | 120 m  | P-02174-60-0-1 |

## 3 SBS bb supporting bridge

| Designation            |  | Dimensions [mm] | Finish | PU    | Order number   |
|------------------------|--|-----------------|--------|-------|----------------|
| Z104 supporting bridge |  | -               | grey   | 50 pc | 6-39708-04-0-1 |

## SBS bb Support profiles

| Designation |                         | Length [mm] | Finish     | PU     | Order number   |
|-------------|-------------------------|-------------|------------|--------|----------------|
| 4a          | Z114 support profile 14 | 1200        | EV1 / grey | 100 pc | P-02175-12-0-1 |
|             |                         | 2000        | EV1 / grey | 36 pc  | P-02175-20-0-1 |
|             |                         | 6000        | EV1 / grey | 120 m  | P-02175-60-0-1 |
| 4b          | Z123 support profile 23 | 1200        | EV1 / grey | 70 pc  | P-02178-12-0-1 |
|             |                         | 2000        | EV1 / grey | 36 pc  | P-02178-20-0-1 |
|             |                         | 6000        | EV1 / grey | 84 m   | P-02178-60-0-1 |

## Threshold-to-frame connector

| Designation |                     | Dimensions [mm] | Finish | PU       | Order number   |
|-------------|---------------------|-----------------|--------|----------|----------------|
| 5122        | for Aluplast 170003 | 85 x 80         | grey   | 10 pairs | 6-35122-00-0-1 |
| 5126        | for Aluplast 180003 | 85 x 70         | grey   | 10 pairs | 6-35126-00-0-1 |

## Threshold-to-mullion connector

| Designation |                     | Dimensions [mm] | Finish | PU    | Order number   |
|-------------|---------------------|-----------------|--------|-------|----------------|
| 5128        | for Aluplast 180043 | 85 x 104        | grey   | 10 pc | 6-35128-00-0-1 |

# Aluplast Ideal 8000

## GU system threshold 227 V bb



### 5 SBS bb drip rail + end cap

| Designation      |                     | Length [mm] | Finish | PU        | Order number   |
|------------------|---------------------|-------------|--------|-----------|----------------|
| Z202 drip rail   | without accessories | 1200        | EV1    | 30 pc     | P-02197-12-0-1 |
|                  |                     | 6000        | EV1    | 36 m      | P-02197-60-0-1 |
| ZE202 end cap WS | for Z202 drip rail  | -           | grey   | 100 pairs | 9-51336-01-0-1 |

### 6 SBS bb lowerable gasket incl. run-up stop

| Designation            | SRW [mm]  | Dimensions [mm] | Finish     | PU   | Order number   |
|------------------------|-----------|-----------------|------------|------|----------------|
| ZAD3 lowerable gasket  | 220-335   | 18 x 13 x 335   | EV1 / grey | 5 pc | H-01868-03-0-0 |
| ZAD4 lowerable gasket  | 336-460   | 18 x 13 x 460   | EV1 / grey | 5 pc | H-01868-04-0-0 |
| ZAD5 lowerable gasket  | 461-585   | 18 x 13 x 585   | EV1 / grey | 5 pc | H-01868-05-0-0 |
| ZAD7 lowerable gasket  | 586-710   | 18 x 13 x 710   | EV1 / grey | 5 pc | H-01868-07-0-0 |
| ZAD8 lowerable gasket  | 711-835   | 18 x 13 x 835   | EV1 / grey | 5 pc | H-01868-08-0-0 |
| ZAD9 lowerable gasket  | 836-960   | 18 x 13 x 960   | EV1 / grey | 5 pc | H-01868-09-0-0 |
| ZAD10 lowerable gasket | 961-1085  | 18 x 13 x 1085  | EV1 / grey | 5 pc | H-01868-10-0-0 |
| ZAD12 lowerable gasket | 1086-1210 | 18 x 13 x 1210  | EV1 / grey | 5 pc | H-01868-12-0-0 |

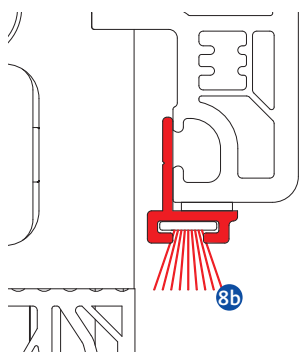
### Lip and brush seals

| Designation         |   | Dimensions [mm]  | Finish | PU     | Order number   |
|---------------------|---|------------------|--------|--------|----------------|
| 7                   | Lip seal                                    | 6 x 9 x 1100     | grey   | 100 pc | P-01922-01-0-1 |
| Not illustrated     | Brush seal, short, self-adhesive            | 12 x 8 x 27      | grey   | 100 pc | 9-49373-01-0-1 |
| 8a                  | Brush seal, self-adhesive                   | 12 x 10 x 1200   | grey   | 100 pc | H-01884-12-0-1 |
| Alternative for 8a: |   |                  |        |        |                |
| 8b                  | SBS bb Z-17315 brush seal 4P                | 6.7 x 8 x 1200   | grey   | 100 pc | 9-51903-12-0-0 |
|                     | SBS bb Z290 mounting profile, self-adhesive | 10.6 x 15 x 1200 | grey   | 100 pc | 6-40502-12-0-1 |

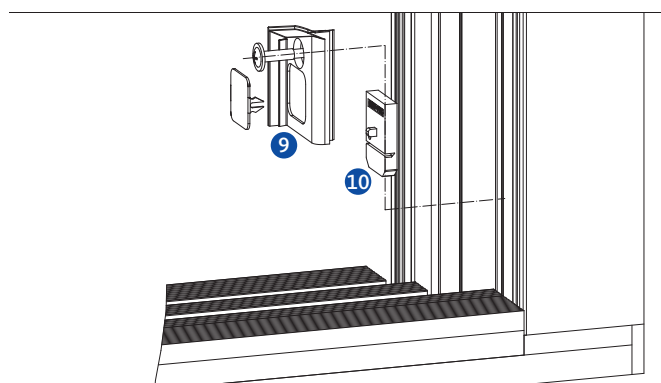
### SBS bb rebate seal

| Designation |                                      | Dimensions [mm] | Finish | PU        | Order number   |
|-------------|--------------------------------------|-----------------|--------|-----------|----------------|
| 9           | Z401 rebate seal, incl. fixing screw | -               | grey   | 100 pairs | 6-39768-50-0-1 |
| 10          | Z455 packer for rebate seal 5 mm     | -               | grey   | 200 pc    | 9-51565-50-0-1 |

#### Brush seal with mounting profile



#### Rebate seal





## Accessories for 2-sash elements

### **11** Dummy mullion sealing element with SBS bb dummy mullion adapter

| Designation  | Finish | PU   | Order number   |
|--|--------|------|----------------|
| ZS06 dummy mullion sealing element with dummy mullion adapter  | grey   | 5 pc | K-20094-06-0-1 |
| Contains: 1 x dummy mullion sealing element, 1 x dummy mullion adapter, 1 x sealing lip for supporting bridge, 3 x fixing screws |        |      |                |

## Additional accessories

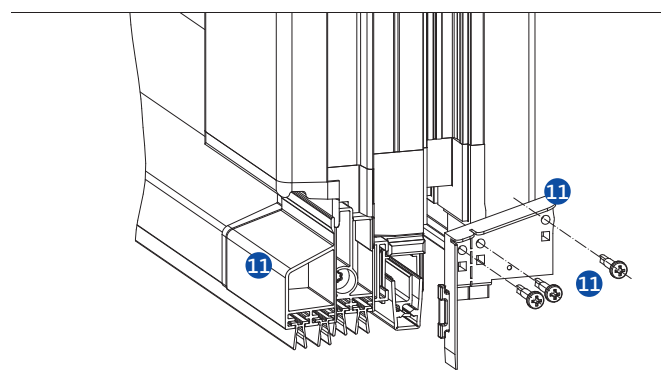
### Support plate

| Designation                          | Finish | PU     | Order number   |
|--------------------------------------|--------|--------|----------------|
| Support plate (sash hardware groove) | grey   | 100 pc | 9-35697-00-0-1 |

### Additional locks / strikers

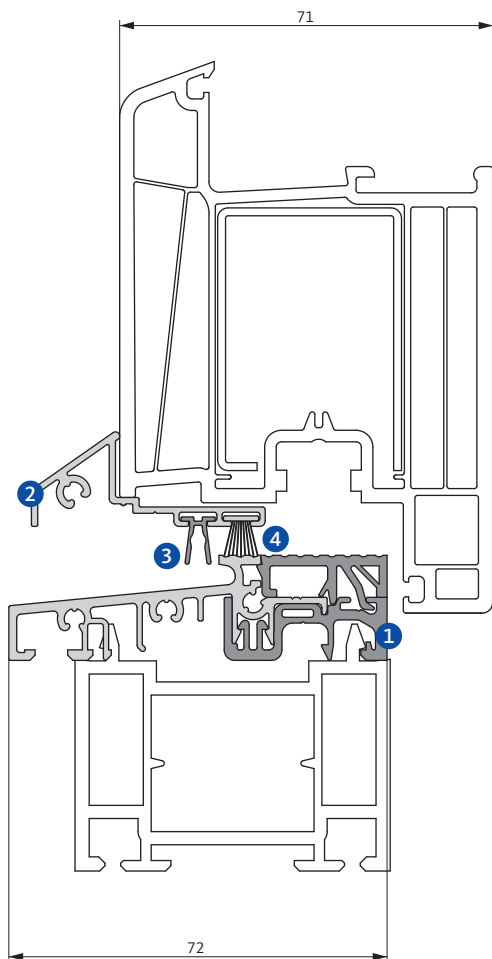
| Designation  |            |             | Finish     | PU   | Order number   |                |
|--|------------|-------------|------------|------|----------------|----------------|
|  |            |             |            |      | DIN LH         | DIN RH         |
| Additional lock SBS bb                                       | Tilt&Turn  | 2 deadbolts | galvanised | 1 pc | 6-39650-01-0-1 |                |
| Additional lock TF SBS bb                                    | Tilt-First | 1 deadbolt  | galvanised | 1 pc | 6-39650-02-L-1 | 6-39650-02-R-1 |
| Additional lock TU-ON SBS bb for ventilation restrictor-stay |            | 1 deadbolt  | galvanised | 1 pc | 6-39650-03-L-1 | 6-39650-03-R-1 |
| SBS bb striker   |            |             | galvanised | 1 pc | 9-51019-12-0-1 |                |
|  |            |             | galvanised | 1 pc | 9-51019-13-0-1 |                |
| Drilling jig for additional locks                            |            |             |            | 1 pc | 6-39804-01-0-1 |                |

### Dummy mullion sealing element with dummy mullion adapter



# Deceuninck Arcade / Elite

GU system threshold 271 V



## Product characteristics

- For use at house entrance and balcony-doors
- GU strikers are installed flush with the tread surface
- Convenient threshold-to-frame / threshold-to-mullion connection
- Bottom connection by means of system-specific extension profiles
- Thermal break with PVC profiles
- No condensation on the inside
- Good thermal insulation



### 1 GU system threshold 271 V

| Designation  |                              | Dimensions [mm] | Finish     | PU   | Order number   |
|--------------|------------------------------|-----------------|------------|------|----------------|
| GU SBS 271 V | without roller shutter guide | 72 x 20 x 6000  | EV1 / grey | 30 m | 6-38604-60-0-1 |

### Threshold-to-frame connector

| Designation |                                 | Dimensions [mm] | Finish | PU       | Order number   |
|-------------|---------------------------------|-----------------|--------|----------|----------------|
| 4210        | for Inoutic 70 Arcade LA 710    | 71 x 73         | grey   | 50 pairs | 6-34488-01-0H1 |
| 4210-1      |                                 |                 |        | 10 pairs | 6-34488-01-0-1 |
| 4211        | for Inoutic 70 Arcade LA 720    | 71 x 88         | grey   | 50 pairs | 6-34488-02-0H1 |
| 4211-1      |                                 |                 |        | 10 pairs | 6-34488-02-0-1 |
| 4212        | for Inoutic 70 Arcade LA 7160   | 71 x 80         | grey   | 50 pairs | 6-34488-03-0H1 |
| 4212-1      |                                 |                 |        | 10 pairs | 6-34488-03-0-1 |
| 4230        | for Inoutic Elite L 710 73 mm   | 71 x 73         | grey   | 50 pairs | 6-34547-01-0H1 |
| 4230-1      |                                 |                 |        | 10 pairs | 6-34547-01-0-1 |
| 4231        | for Inoutic Elite 7160 AD 80 mm | 71 x 80         | grey   | 50 pairs | 6-34547-02-0H1 |
| 4231-1      |                                 |                 |        | 10 pairs | 6-34547-02-0-1 |
| 4232        | for Inoutic Elite L 720 88 mm   | 71 x 88         | grey   | 50 pairs | 6-34547-03-0H1 |
| 4232-1      |                                 |                 |        | 10 pairs | 6-34547-03-0-1 |

### Threshold-to-mullion connector

| Designation |                                  | Dimensions [mm] | Finish | PU    | Order number   |
|-------------|----------------------------------|-----------------|--------|-------|----------------|
| 4213        | for Inoutic 70 Arcade T720       | 71 x 82         | grey   | 25 pc | 6-34489-01-0R1 |
| 4213-1      |                                  |                 |        | 10 pc | 6-34489-01-0-1 |
| 4214        | for Inoutic 70 Arcade T 7150     | 71 x 120        | grey   | 25 pc | 6-34489-02-0R1 |
| 4214-1      |                                  |                 |        | 10 pc | 6-34489-02-0-1 |
| 4235        | for Inoutic Elite T 720 FD 82 mm | 71 x 82         | grey   | 25 pc | 6-34548-01-0R1 |
| 4235-1      |                                  |                 |        | 10 pc | 6-34548-01-0-1 |
| 4236        | for Inoutic Elite T 750 105 mm   | 71 x 105        | grey   | 25 pc | 6-34548-02-0R1 |
| 4236-1      |                                  |                 |        | 10 pc | 6-34548-02-0-1 |
| 4237        | for Inoutic Elite H 7150 120 mm  | 71 x 120        | grey   | 25 pc | 6-34548-03-0R1 |
| 4237-1      |                                  |                 |        | 10 pc | 6-34548-03-0-1 |

### 2 Drip rail 247 + end cap 242

| Designation    |                              | Dimensions [mm]  | Finish | PU         | Order number   |
|----------------|------------------------------|------------------|--------|------------|----------------|
| Drip rail 247g | without accessories          | 44.5 x 18 x 5520 | EV1    | 55.2 m     | 6-34828-56-0-1 |
|                |                              | 44.5 x 18 x 1840 | EV1    | 30 pc      | 6-34828-18-0-1 |
|                | with end caps and brush seal | 44.5 x 18 x 1100 | EV1    | Set of 25* | 6-34828-00-0-1 |
| End cap 242    | for drip rail 247g           | -                | grey   | 100 pairs  | 9-46028-00-0-1 |
| Drip rail 247b | without accessories          | 44.5 x 18 x 5520 | brown  | 55.2 m     | 6-34828-56-0-5 |
|                |                              | 44.5 x 18 x 1840 | brown  | 30 pc      | 6-34828-18-0-5 |
|                | with end caps and brush seal | 44.5 x 18 x 1100 | brown  | Set of 25* | 6-34828-00-0-5 |
| End cap 242    | for drip rail 247b           | -                | brown  | 100 pairs  | 9-46028-00-0-5 |
| Drip rail 247w | without accessories          | 44.5 x 18 x 5520 | white  | 55.2 m     | 6-34828-56-0-7 |
|                |                              | 44.5 x 18 x 1840 | white  | 30 pc      | 6-34828-18-0-7 |
|                | with end caps and brush seal | 44.5 x 18 x 1100 | white  | Set of 25* | 6-34828-00-0-7 |
| End cap 242    | for drip rail 247w           | -                | white  | 100 pairs  | 9-46028-00-0-7 |

\* Contains: 25 x 1100 mm drip rail, 25 pairs of end caps, 25 x 1100 mm brush seals

# Deceuninck Arcade / Elite

## GU system threshold 271 V



### Lip and brush seal for drip rail

| Designation |            | Dimensions [mm] | Finish | PU     | Order number   |
|-------------|------------|-----------------|--------|--------|----------------|
| 3           | Lip seal   | 6 x 9 x 1100    | grey   | 100 pc | P-01922-01-0-1 |
| 4           | Brush seal | 10              | grey   | 150 m  | H-01159-00-0-1 |

### Dummy mullion adapter 252

| Designation               |                   | Dimensions [mm] | Finish | PU    | Order number   |
|---------------------------|-------------------|-----------------|--------|-------|----------------|
| Dummy mullion adapter 252 | for drip rail 247 | 83 x 28         | grey   | 25 pc | 9-45549-00-0-1 |

### Groove packer for counter-milled groove

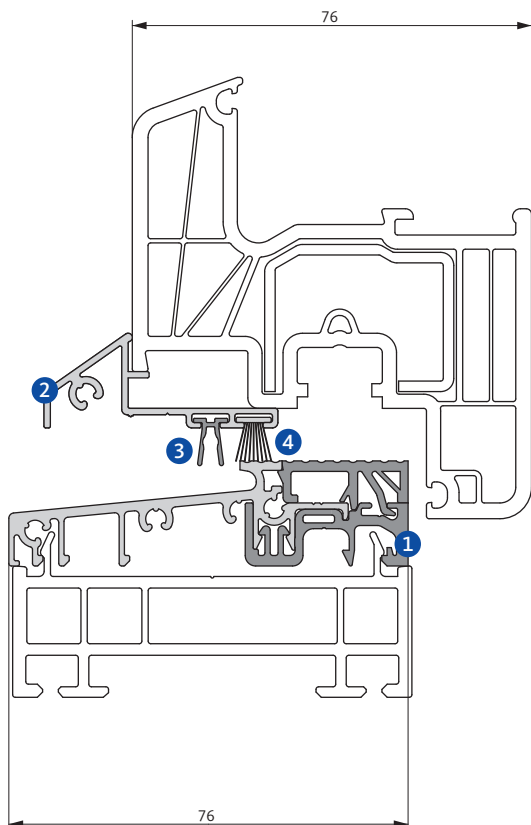
| Designation             |  | Dimensions [mm] | Finish   | PU    | Order number   |
|-------------------------|--|-----------------|----------|-------|----------------|
| Groove packer F 28 – 35 |  | 28 x 35 x 1250  | coloured | 20 pc | H-12028-35-0-0 |
| Groove packer F 30 – 38 |  | 30 x 38 x 1250  | coloured | 20 pc | H-12030-38-0-0 |





# Deceuninck Prestige

## GU system threshold 218 V



### Product characteristics

- For use at house entrance and balcony-doors
- GU strikers are installed flush with the tread surface
- Convenient threshold-to-frame / threshold-to-mullion connection
- Bottom connection by means of system-specific extension profiles
- Thermal break with PVC profiles
- No condensation on the inside
- Good thermal insulation

### Matching threshold extensions by Deceuninck

- |         |         |
|---------|---------|
| ■ 14566 | ■ 14631 |
| ■ 14567 | ■ 14583 |
| ■ 15936 | ■ 15130 |
| ■ 14630 | ■ 15131 |



### 1 GU system threshold 218 V

| Designation  |                              | Dimensions [mm] | Finish     | PU   | Order number   |
|--------------|------------------------------|-----------------|------------|------|----------------|
| GU SBS 218 V | without roller shutter guide | 76 x 20 x 6000  | EV1 / grey | 30 m | 6-37977-60-0-1 |

### Threshold-to-frame connector

| Designation |                          | Dimensions [mm] | Finish | PU       | Order number   |
|-------------|--------------------------|-----------------|--------|----------|----------------|
| 4220        | for Inoutic 76 AD LD 176 | 76 x 71         | grey   | 50 pairs | 6-34490-01-0H1 |
| 4220-1      |                          |                 |        | 10 pairs | 6-34490-01-0-1 |
| 4221        | for Inoutic 76 LD 276    | 76 x 85         | grey   | 50 pairs | 6-34490-02-0H1 |
| 4221-1      |                          |                 |        | 10 pairs | 6-34490-02-0-1 |

### Threshold-to-mullion connector

| Designation |                      | Dimensions [mm] | Finish | PU    | Order number   |
|-------------|----------------------|-----------------|--------|-------|----------------|
| 4223        | for Inoutic 76 T 276 | 76 x 95         | grey   | 25 pc | 6-34491-01-0R1 |
| 4223-1      |                      |                 |        | 10 pc | 6-34491-01-0-1 |
| 4224        | for Inoutic 76 T 376 | 76 x 112        | grey   | 25 pc | 6-34491-02-0R1 |
| 4224-1      |                      |                 |        | 10 pc | 6-34491-02-0-1 |
| 4225        | for Inoutic 76 T 576 | 76 x 126        | grey   | 25 pc | 6-35064-01-0R1 |
| 4225-1      |                      |                 |        | 10 pc | 6-35064-01-0-1 |

### 2 Drip rail 243 + end cap 243

| Designation    |                     | Dimensions [mm]  | Finish | PU        | Order number   |
|----------------|---------------------|------------------|--------|-----------|----------------|
| Drip rail 243g | without accessories | 44.5 x 18 x 6000 | EV1    | 60 m      | 9-45562-60-0-1 |
|                |                     | 44.5 x 18 x 2000 | EV1    | 30 pc     | 9-45562-20-0-1 |
| End cap 243    | for drip rail 243g  | -                | grey   | 100 pairs | 9-45564-00-0-1 |
| Drip rail 243b | without accessories | 44.5 x 18 x 6000 | brown  | 60 m      | 9-45562-60-0-5 |
|                |                     | 44.5 x 18 x 2000 | brown  | 30 pc     | 9-45562-20-0-5 |
| End cap 243    | for drip rail 243b  | -                | brown  | 100 pairs | 9-45564-00-0-5 |
| Drip rail 243w | without accessories | 44.5 x 18 x 6000 | white  | 60 m      | 9-45562-60-0-7 |
|                |                     | 44.5 x 18 x 2000 | white  | 30 pc     | 9-45562-20-0-7 |
| End cap 243    | for drip rail 243w  | -                | white  | 100 pairs | 9-45564-00-0-7 |

### Lip and brush seal for drip rail

| Designation  |  | Dimensions [mm] | Finish | PU     | Order number   |
|--------------|--|-----------------|--------|--------|----------------|
| 3 Lip seal   |  | 6 x 9 x 1100    | grey   | 100 pc | P-01922-01-0-1 |
| 4 Brush seal |  | 10              | grey   | 150 m  | H-01159-00-0-1 |

### Dummy mullion adapter 251

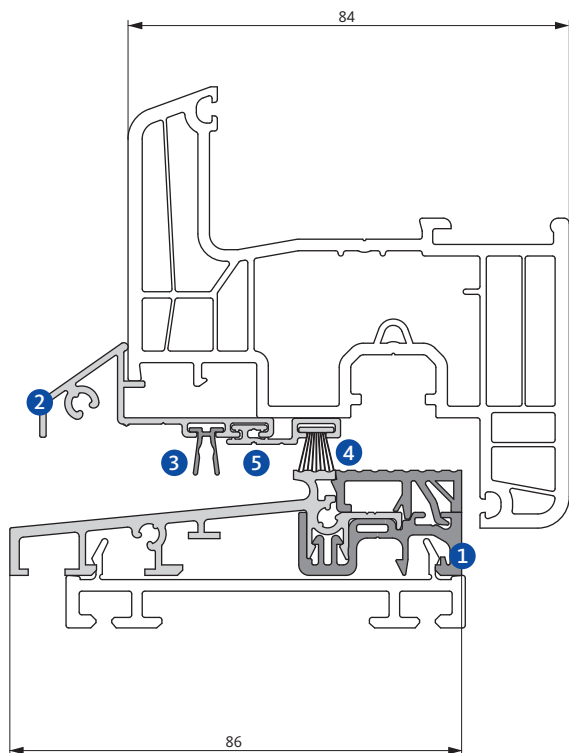
| Designation               |                   | Dimensions [mm] | Finish | PU    | Order number   |
|---------------------------|-------------------|-----------------|--------|-------|----------------|
| Dummy mullion adapter 251 | for drip rail 243 | 83 x 28 x 6.5   | grey   | 25 pc | 9-45566-00-0-1 |

### Groove packer for counter-milled groove

| Designation             |  | Dimensions [mm] | Finish   | PU    | Order number   |
|-------------------------|--|-----------------|----------|-------|----------------|
| Groove packer F 30 - 38 |  | 30 x 38 x 1250  | coloured | 20 pc | H-12030-38-0-0 |
| Groove packer F 35 - 47 |  | 35 x 47 x 1250  | coloured | 15 pc | H-12035-47-0-0 |

# Deceuninck Eforte

## GU system threshold 238 V



### Product characteristics

- For use at house entrance and balcony-doors
- GU strikers are installed flush with the tread surface
- Convenient threshold-to-frame / threshold-to-mullion connection
- Bottom connection by means of system-specific extension profiles
- Thermal break with PVC profiles
- No condensation on the inside
- Good thermal insulation

### Matching threshold extensions by Deceuninck

- |          |          |
|----------|----------|
| ■ KP 676 | ■ KP 284 |
| ■ KR 476 | ■ KP 384 |
| ■ KP 376 | ■ KP 584 |
| ■ KP 276 | ■ KP 40  |
| ■ KP 184 | ■ KP 100 |

### Installation drawing

- 0-45850



### 1 GU system threshold 238 V

| Designation  |                              | Dimensions [mm] | Finish     | PU   | Order number   |
|--------------|------------------------------|-----------------|------------|------|----------------|
| GU SBS 238 V | without roller shutter guide | 86 x 20 x 6000  | EV1 / grey | 30 m | 6-37854-60-0-1 |

### Threshold-to-frame connector

| Designation |                           | Dimensions [mm] | Finish | PU       | Order number   |
|-------------|---------------------------|-----------------|--------|----------|----------------|
| 4240        | for Inoutic Eforte 170000 | 84 x 70         | grey   | 50 pairs | 6-35423-08-0H1 |
| 4240-1      |                           |                 |        | 10 pairs | 6-35423-08-0-1 |
| 4241        | for Inoutic Eforte 170001 | 84 x 86         | grey   | 50 pairs | 6-35423-13-0H1 |
| 4241-1      |                           |                 |        | 10 pairs | 6-35423-13-0-1 |

### Threshold-to-mullion connector

| Designation |                           | Dimensions [mm] | Finish | PU    | Order number   |
|-------------|---------------------------|-----------------|--------|-------|----------------|
| 4245        | for Inoutic Eforte 170020 | 84 x 95         | grey   | 25 pc | 6-35424-04-0R1 |
| 4245-1      |                           |                 |        | 10 pc | 6-35424-04-0-1 |
| 4246        | for Inoutic Eforte 170025 | 84 x 122        | grey   | 25 pc | 6-35424-05-0R1 |
| 4246-1      |                           |                 |        | 10 pc | 6-35424-05-0-1 |

### 2 Drip rail 243 + end cap 243

| Designation    |                     | Dimensions [mm]  | Finish | PU        | Order number   |
|----------------|---------------------|------------------|--------|-----------|----------------|
| Drip rail 243g | without accessories | 44.5 x 18 x 6000 | EV1    | 60 m      | 9-45562-60-0-1 |
|                |                     | 44.5 x 18 x 2000 | EV1    | 30 pc     | 9-45562-20-0-1 |
| End cap 243    | for drip rail 243g  | -                | grey   | 100 pairs | 9-45564-00-0-1 |
| Drip rail 243b | without accessories | 44.5 x 18 x 6000 | brown  | 60 m      | 9-45562-60-0-5 |
|                |                     | 44.5 x 18 x 2000 | brown  | 30 pc     | 9-45562-20-0-5 |
| End cap 243    | for drip rail 243b  | -                | brown  | 100 pairs | 9-45564-00-0-5 |
| Drip rail 243w | without accessories | 44.5 x 18 x 6000 | white  | 60 m      | 9-45562-60-0-7 |
|                |                     | 44.5 x 18 x 2000 | white  | 30 pc     | 9-45562-20-0-7 |
| End cap 243    | for drip rail 243w  | -                | white  | 100 pairs | 9-45564-00-0-7 |

### Lip and brush seal for drip rail

| Designation  |  | Dimensions [mm] | Finish | PU     | Order number   |
|--------------|--|-----------------|--------|--------|----------------|
| 3 Lip seal   |  | 6 x 9 x 1100    | grey   | 100 pc | P-01922-01-0-1 |
| 4 Brush seal |  | 10              | grey   | 150 m  | H-01159-00-0-1 |

### 5 Drip rail extension

| Designation         |                   | Dimensions [mm] | Finish | PU   | Order number   |
|---------------------|-------------------|-----------------|--------|------|----------------|
| Drip rail extension | for drip rail 243 | 22 x 5 x 2000   | EV1    | 30 m | P-02008-20-0-1 |

### Dummy mullion adapter 251

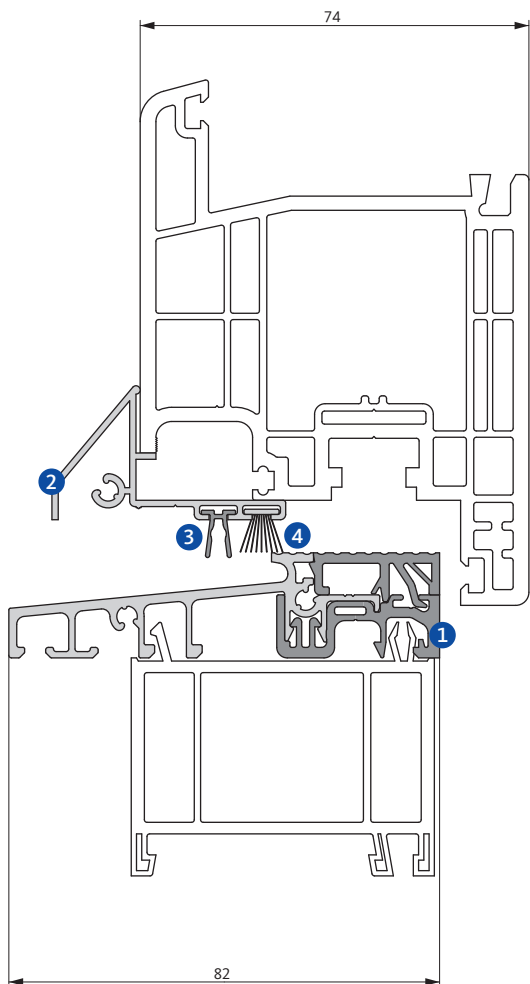
| Designation               |                   | Dimensions [mm] | Finish | PU    | Order number   |
|---------------------------|-------------------|-----------------|--------|-------|----------------|
| Dummy mullion adapter 251 | for drip rail 243 | 83 x 28 x 6.5   | grey   | 25 pc | 9-45566-00-0-1 |

### Groove packer for counter-milled groove

| Designation             |  | Dimensions [mm] | Finish   | PU    | Order number   |
|-------------------------|--|-----------------|----------|-------|----------------|
| Groove packer F 28 - 30 |  | 28 x 30 x 1250  | coloured | 25 pc | H-12028-30-0-0 |
| Groove packer F 35 - 47 |  | 35 x 47 x 1250  | coloured | 15 pc | H-12035-47-0-0 |

# Gealan S 7000 IQ

GU system threshold 211 V



## Product characteristics

- For use at house entrance and balcony-doors
- GU strikers are installed flush with the tread surface
- Convenient threshold-to-frame / threshold-to-mullion connection
- Bottom connection by means of system-specific extension profiles
- Thermal break with PVC profiles
- No condensation on the inside
- Good thermal insulation

## Matching threshold extensions by Gealan

- |        |        |
|--------|--------|
| ■ 7299 | ■ 7290 |
| ■ 7288 | ■ 7292 |
| ■ 2315 | ■ 7289 |
| ■ 7298 | ■ 2311 |
| ■ 2313 |        |



### 1 GU system threshold 211 V

| Designation  |                              | Dimensions [mm] | Finish     | PU   | Order number   |
|--------------|------------------------------|-----------------|------------|------|----------------|
| GU SBS 211 V | without roller shutter guide | 82 x 20 x 6000  | EV1 / grey | 30 m | 6-37851-60-0-1 |

### Threshold-to-frame connector

| Designation |                      | Dimensions [mm] | Finish | Order number   |                |
|-------------|----------------------|-----------------|--------|----------------|----------------|
|             |                      |                 |        | PU = 50 pairs  | PU = 10 pairs  |
| 7008        | for Gealan S 7000 IQ | 74 x 74         | grey   | 6-35698-01-0H1 | 6-35698-01-0-1 |
| 7011        | for Gealan S 7000 IQ | 74 x 81         | grey   | 6-35698-02-0H1 | 6-35698-02-0-1 |
| 7014        | for Gealan S 7000 IQ | 74 x 104        | grey   | 6-35698-03-0H1 | 6-35698-03-0-1 |

### Threshold-to-mullion connector

| Designation |                 | Dimensions [mm] | Finish | Order number   |                |
|-------------|-----------------|-----------------|--------|----------------|----------------|
|             |                 |                 |        | PU = 25 pcs    | PU = 10 pcs    |
| 7037        | for Gealan 7000 | 74 x 94         | grey   | 6-35700-01-0R1 | 6-35700-01-0-1 |
| 7043        | for Gealan 7000 | 74 x 115        | grey   | 6-35700-02-0R1 | 6-35700-02-0-1 |

### 2 Drip rail 261 + end cap 244

| Designation    |                     | Dimensions [mm]    | Finish | PU        | Order number   |
|----------------|---------------------|--------------------|--------|-----------|----------------|
| Drip rail 261g | without accessories | 44.5 x 25.5 x 6000 | EV1    | 60 m      | 9-46928-60-0-1 |
|                |                     | 44.5 x 25.5 x 2000 | EV1    | 60 m      | 9-46928-20-0-1 |
| End cap 244    | for drip rail 261g  | -                  | grey   | 100 pairs | 9-46029-00-0-1 |
| Drip rail 261b | without accessories | 44.5 x 25.5 x 6000 | brown  | 60 m      | 9-46928-60-0-5 |
|                |                     | 44.5 x 25.5 x 2000 | brown  | 60 m      | 9-46928-20-0-5 |
| End cap 244    | for drip rail 261b  | -                  | brown  | 100 pairs | 9-46029-00-0-5 |
| Drip rail 261w | without accessories | 44.5 x 25.5 x 6000 | white  | 60 m      | 9-46928-60-0-7 |
|                |                     | 44.5 x 25.5 x 2000 | white  | 60 m      | 9-46928-20-0-7 |
| End cap 244    | for drip rail 261w  | -                  | white  | 100 pairs | 9-46029-00-0-7 |

### Lip and brush seal for drip rail

| Designation |            | Dimensions [mm] | Finish | PU     | Order number   |
|-------------|------------|-----------------|--------|--------|----------------|
| 3           | Lip seal   | 6 x 9 x 1100    | grey   | 100 pc | P-01922-01-0-1 |
| 4           | Brush seal | 10              | grey   | 150 m  | H-01159-00-0-1 |

### Dummy mullion adapter 253

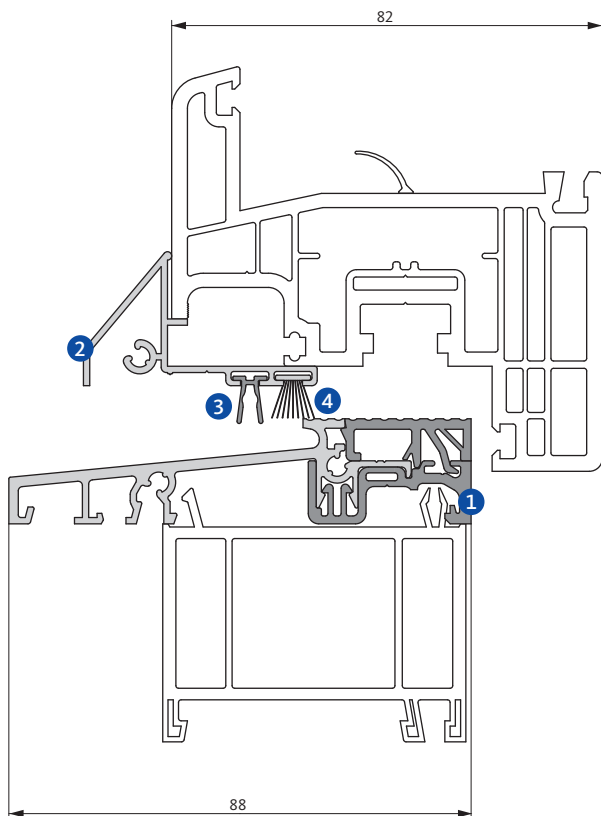
| Designation               |                   | Dimensions [mm] | Finish | PU    | Order number   |
|---------------------------|-------------------|-----------------|--------|-------|----------------|
| Dummy mullion adapter 253 | for drip rail 261 | 83 x 28 x 9     | grey   | 25 pc | 9-47604-01-0-1 |

### Groove packer for counter-milled groove

| Designation             |  | Dimensions [mm] | Finish   | PU    | Order number   |
|-------------------------|--|-----------------|----------|-------|----------------|
| Groove packer F 28 - 30 |  | 28 x 30 x 1250  | coloured | 25 pc | H-12028-30-0-0 |
| Groove packer F 35 - 47 |  | 35 x 47 x 1250  | coloured | 15 pc | H-12035-47-0-0 |

# Gealan S 7000 IQ plus

GU system threshold 239 V



## Product characteristics

- For use at house entrance and balcony-doors
- GU strikers are installed flush with the tread surface
- Convenient threshold-to-frame / threshold-to-mullion connection
- Bottom connection by means of system-specific extension profiles
- Thermal break with PVC profiles
- No condensation on the inside
- Good thermal insulation

## Matching threshold extensions by Gealan

- 7299
- 5201
- 5202
- 5203
- 5213





### 1 GU system threshold 239 V

| Designation  |                              | Dimensions [mm] | Finish     | PU   | Order number   |
|--------------|------------------------------|-----------------|------------|------|----------------|
| GU SBS 239 V | without roller shutter guide | 88 x 20 x 6000  | EV1 / grey | 30 m | 6-37570-60-0-1 |

### Threshold-to-frame connector

| Designation |                                 | Dimensions [mm] | Finish | PU       | Order number   |
|-------------|---------------------------------|-----------------|--------|----------|----------------|
| 5010        | for Gealan S 7000 IQ plus 82 mm | 82.2 x 81       | grey   | 50 pairs | 6-35423-12-0H1 |
| 5010-1      | for Gealan S 7000 IQ plus 82 mm | 82.2 x 81       | grey   | 10 pairs | 6-35423-12-0-1 |

### 2 Drip rail 261 + end cap 244

| Designation    |                     | Dimensions [mm]    | Finish | PU        | Order number   |
|----------------|---------------------|--------------------|--------|-----------|----------------|
| Drip rail 261g | without accessories | 44.5 x 25.5 x 6000 | EV1    | 60 m      | 9-46928-60-0-1 |
|                |                     | 44.5 x 25.5 x 2000 | EV1    | 60 m      | 9-46928-20-0-1 |
| End cap 244    | for drip rail 261g  | -                  | grey   | 100 pairs | 9-46029-00-0-1 |
| Drip rail 261b | without accessories | 44.5 x 25.5 x 6000 | brown  | 60 m      | 9-46928-60-0-5 |
|                |                     | 44.5 x 25.5 x 2000 | brown  | 60 m      | 9-46928-20-0-5 |
| End cap 244    | for drip rail 261b  | -                  | brown  | 100 pairs | 9-46029-00-0-5 |
| Drip rail 261w | without accessories | 44.5 x 25.5 x 6000 | white  | 60 m      | 9-46928-60-0-7 |
|                |                     | 44.5 x 25.5 x 2000 | white  | 60 m      | 9-46928-20-0-7 |
| End cap 244    | for drip rail 261w  | -                  | white  | 100 pairs | 9-46029-00-0-7 |

### Lip and brush seal for drip rail

| Designation |            | Dimensions [mm] | Finish | PU     | Order number   |
|-------------|------------|-----------------|--------|--------|----------------|
| 3           | Lip seal   | 6 x 9 x 1100    | grey   | 100 pc | P-01922-01-0-1 |
| 4           | Brush seal | 10              | grey   | 150 m  | H-01159-00-0-1 |

### Dummy mullion adapter 253

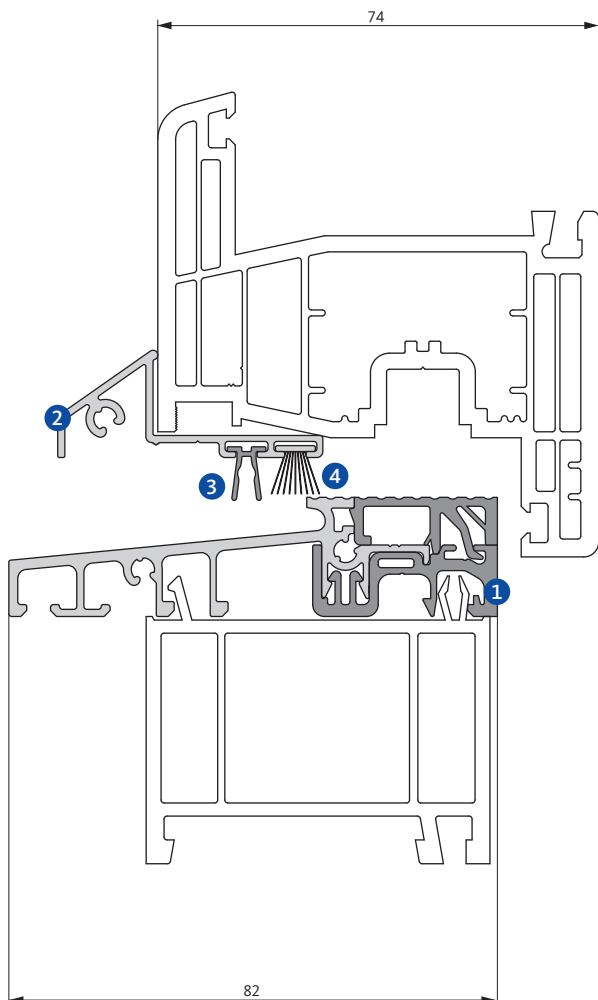
| Designation               |                   | Dimensions [mm] | Finish | PU    | Order number   |
|---------------------------|-------------------|-----------------|--------|-------|----------------|
| Dummy mullion adapter 253 | for drip rail 261 | 83 x 28 x 9     | grey   | 25 pc | 9-47604-01-0-1 |

### Groove packer for counter-milled groove

| Designation             |  | Dimensions [mm] | Finish   | PU    | Order number   |
|-------------------------|--|-----------------|----------|-------|----------------|
| Groove packer F 28 - 30 |  | 28 x 30 x 1250  | coloured | 25 pc | H-12028-30-0-0 |
| Groove packer F 35 - 47 |  | 35 x 47 x 1250  | coloured | 15 pc | H-12035-47-0-0 |

# Gealan S 8000 IQ

GU system threshold 221 V



## Product characteristics

- For use at house entrance and balcony-doors
- GU strikers are installed flush with the tread surface
- Convenient threshold-to-frame / threshold-to-mullion connection
- Bottom connection by means of system-specific extension profiles
- Thermal break with PVC profiles
- No condensation on the inside
- Good thermal insulation

## Matching threshold extensions by Gealan

- 7299
- 7288
- 2315
- 7298
- 2313
- 7290
- 7292
- 7289
- 2311



**1 GU system threshold 211 V**

| Designation  |                              | Dimensions [mm] | Finish     | PU   | Order number   |
|--------------|------------------------------|-----------------|------------|------|----------------|
| GU SBS 211 V | without roller shutter guide | 82 x 20 x 6000  | EV1 / grey | 30 m | 6-37851-60-0-1 |

**Threshold-to-frame connector**

| Designation |                          | Dimensions [mm] | Finish | PU       | Order number   |
|-------------|--------------------------|-----------------|--------|----------|----------------|
| 4050        | for Gealan S 8003 / 8008 | 74 x 66         | grey   | 50 pairs | 6-34486-01-0H1 |
| 4050-1      |                          |                 |        | 10 pairs | 6-34486-01-0-1 |
| 4051        | for Gealan S 8010        | 74 x 74         | grey   | 50 pairs | 6-34486-02-0H1 |
| 4051-1      |                          |                 |        | 10 pairs | 6-34486-02-0-1 |
| 4052        | for Gealan S 8012        | 74 x 81         | grey   | 50 pairs | 6-34486-03-0H1 |
| 4052-1      |                          |                 |        | 10 pairs | 6-34486-03-0-1 |
| 4053        | for Gealan S 8014        | 74 x 96         | grey   | 50 pairs | 6-34486-04-0H1 |
| 4053-1      |                          |                 |        | 10 pairs | 6-34486-04-0-1 |

**Threshold-to-mullion connector**

| Designation |                    | Dimensions [mm] | Finish | PU    | Order number   |
|-------------|--------------------|-----------------|--------|-------|----------------|
| 4055        | for Gealan 8037    | 74 x 82         | grey   | 25 pc | 6-34487-01-0R1 |
| 4055-1      |                    |                 |        | 10 pc | 6-34487-01-0-1 |
| 4056        | for Gealan 8040/41 | 74 x 94         | grey   | 25 pc | 6-34487-02-0R1 |
| 4056-1      |                    |                 |        | 10 pc | 6-34487-02-0-1 |
| 4057        | for Gealan 8043    | 74 x 115        | grey   | 25 pc | 6-34487-03-0R1 |
| 4057-1      |                    |                 |        | 10 pc | 6-34487-03-0-1 |

**2 Drip rail 242 + end cap 242**

| Designation    |                     | Dimensions [mm]  | Finish | PU        | Order number   |
|----------------|---------------------|------------------|--------|-----------|----------------|
| Drip rail 242g | without accessories | 44.5 x 18 x 6000 | EV1    | 60 m      | 6-35266-60-0-1 |
|                |                     | 44.5 x 18 x 2000 | EV1    | 60 m      | 6-35266-20-0-1 |
| End cap 242    | for drip rail 242g  | -                | grey   | 100 pairs | 9-46028-00-0-1 |
| Drip rail 242b | without accessories | 44.5 x 18 x 6000 | brown  | 60 m      | 6-35266-60-0-5 |
|                |                     | 44.5 x 18 x 2000 | brown  | 60 m      | 6-35266-20-0-5 |
| End cap 242    | for drip rail 242b  | -                | brown  | 100 pairs | 9-46028-00-0-5 |
| Drip rail 242w | without accessories | 44.5 x 18 x 6000 | white  | 60 m      | 6-35266-60-0-7 |
|                |                     | 44.5 x 18 x 2000 | white  | 60 m      | 6-35266-20-0-7 |
| End cap 242    | for drip rail 242w  | -                | white  | 100 pairs | 9-46028-00-0-7 |

# Gealan S 8000 IQ

## GU system threshold 221 V



### Lip and brush seal for drip rail

| Designation |            | Dimensions [mm] | Finish | PU     | Order number   |
|-------------|------------|-----------------|--------|--------|----------------|
| 3           | Lip seal   | 6 x 9 x 1100    | grey   | 100 pc | P-01922-01-0-1 |
| 4           | Brush seal | 10              | grey   | 150 m  | H-01159-00-0-1 |

### Dummy mullion adapter 252

| Designation               |                   | Dimensions [mm] | Finish | PU    | Order number   |
|---------------------------|-------------------|-----------------|--------|-------|----------------|
| Dummy mullion adapter 252 | for drip rail 242 | 83 x 28         | grey   | 25 pc | 9-45549-00-0-1 |

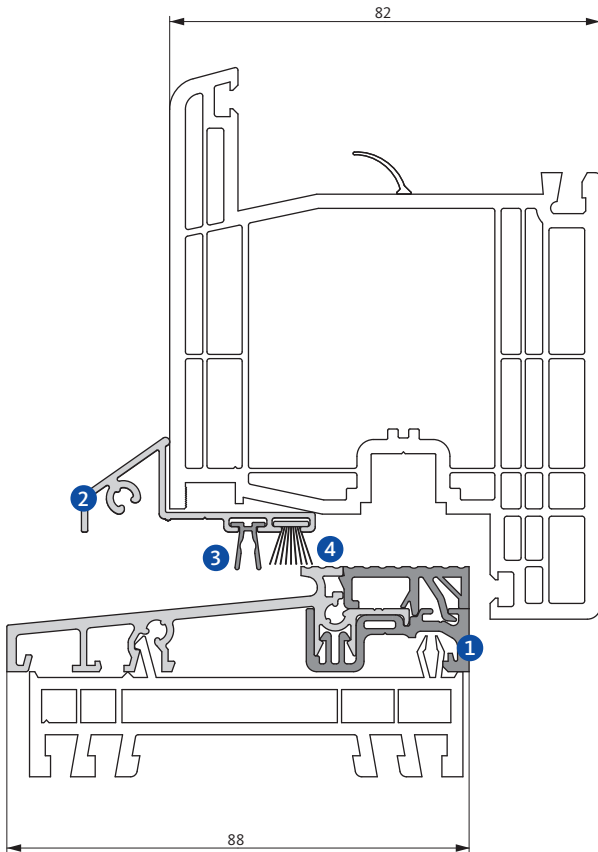
### Groove packer for counter-milled groove

| Designation             |  | Dimensions [mm] | Finish   | PU    | Order number   |
|-------------------------|--|-----------------|----------|-------|----------------|
| Groove packer F 28 – 30 |  | 28 x 30 x 1250  | coloured | 25 pc | H-12028-30-0-0 |
| Groove packer F 35 – 47 |  | 35 x 47 x 1250  | coloured | 15 pc | H-12035-47-0-0 |



# Gealan S 8000 IQ plus

GU system threshold 221 V



## Product characteristics

- For use at house entrance and balcony-doors
- GU strikers are installed flush with the tread surface
- Convenient threshold-to-frame / threshold-to-mullion connection
- Bottom connection by means of system-specific extension profiles
- Thermal break with PVC profiles
- No condensation on the inside
- Good thermal insulation

## Matching threshold extensions by Gealan

- 7205
- 5201
- 5202
- 5203
- 5213

## Installation drawing

- 0-45854



### ① GU system threshold 211 V / 239 V

| Designation  |                              | Dimensions [mm] | Finish     | PU   | Order number   |
|--------------|------------------------------|-----------------|------------|------|----------------|
| GU SBS 211 V | without roller shutter guide | 82 x 20 x 6000  | EV1 / grey | 30 m | 6-37851-60-0-1 |
| GU SBS 239 V | without roller shutter guide | 88 x 20 x 6000  | EV1 / grey | 30 m | 6-37570-60-0-1 |

### Threshold-to-frame connector

| Designation |  | Dimensions [mm] | Finish | PU       | Order number   |
|-------------|--|-----------------|--------|----------|----------------|
| 5002        | for Gealan 8000 IQ plus                      | 82.5 x 81       | grey   | 50 pairs | 6-35423-04-0H1 |
| 5002-1      |  |                 |        | 10 pairs | 6-35423-04-0-1 |
| 5001        | for Gealan 8000 IQ plus<br>(overlap, round)  | 82.5 x 66       | grey   | 50 pairs | 6-35423-03-0H1 |
| 5001-1      |  |                 |        | 10 pairs | 6-35423-03-0-1 |
| 5003        | for Gealan 8000 IQ plus<br>(overlap, square) | 82.5 x 66       | grey   | 50 pairs | 6-35423-05-0H1 |
| 5003-1      |  |                 |        | 10 pairs | 6-35423-05-0-1 |

### Threshold-to-mullion connector

| Designation |  | Dimensions [mm] | Finish | PU    | Order number   |
|-------------|--|-----------------|--------|-------|----------------|
| 5005        | for Gealan 8000 IQ plus<br>(overlap, square) | 82.5 x 94       | grey   | 25 pc | 6-35424-02-0R1 |
| 5005-1      |  |                 |        | 10 pc | 6-35424-02-0-1 |

### ② Drip rail 242 + end cap 242

| Designation    |                     | Dimensions [mm]  | Finish | PU        | Order number   |
|----------------|---------------------|------------------|--------|-----------|----------------|
| Drip rail 242g | without accessories | 44.5 x 18 x 6000 | EV1    | 60 m      | 6-35266-60-0-1 |
|                |                     | 44.5 x 18 x 2000 | EV1    | 60 m      | 6-35266-20-0-1 |
| End cap 242    | for drip rail 242g  | -                | grey   | 100 pairs | 9-46028-00-0-1 |
| Drip rail 242b | without accessories | 44.5 x 18 x 6000 | brown  | 60 m      | 6-35266-60-0-5 |
|                |                     | 44.5 x 18 x 2000 | brown  | 60 m      | 6-35266-20-0-5 |
| End cap 242    | for drip rail 242b  | -                | brown  | 100 pairs | 9-46028-00-0-5 |
| Drip rail 242w | without accessories | 44.5 x 18 x 6000 | white  | 60 m      | 6-35266-60-0-7 |
|                |                     | 44.5 x 18 x 2000 | white  | 60 m      | 6-35266-20-0-7 |
| End cap 242    | for drip rail 242w  | -                | white  | 100 pairs | 9-46028-00-0-7 |

# Gealan S 8000 IQ plus

## GU system threshold 221 V



### Lip and brush seal for drip rail

| Designation |            | Dimensions [mm] | Finish | PU     | Order number   |
|-------------|------------|-----------------|--------|--------|----------------|
| 3           | Lip seal   | 6 x 9 x 1100    | grey   | 100 pc | P-01922-01-0-1 |
| 4           | Brush seal | 10              | grey   | 150 m  | H-01159-00-0-1 |

### Dummy mullion adapter 252

| Designation               |                   | Dimensions [mm] | Finish | PU    | Order number   |
|---------------------------|-------------------|-----------------|--------|-------|----------------|
| Dummy mullion adapter 252 | for drip rail 242 | 83 x 28         | grey   | 25 pc | 9-45549-00-0-1 |

### Groove packer for counter-milled groove

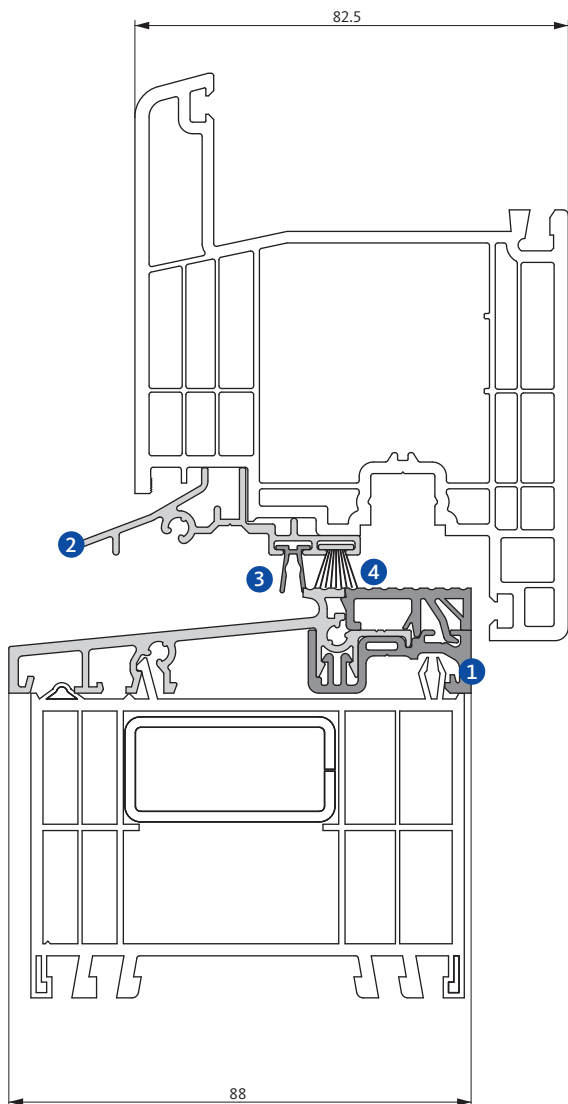
| Designation             |  | Dimensions [mm] | Finish   | PU    | Order number   |
|-------------------------|--|-----------------|----------|-------|----------------|
| Groove packer F 25 – 24 |  | 25 x 24 x 1250  | coloured | 25 pc | H-12025-24-0-0 |
| Groove packer F 25 – 43 |  | 25 x 43 x 1250  | coloured | 20 pc | H-12025-43-0-0 |
| Groove packer F 28 – 30 |  | 28 x 30 x 1250  | coloured | 25 pc | H-12028-30-0-0 |
| Groove packer F 28 – 35 |  | 28 x 35 x 1250  | coloured | 20 pc | H-12028-35-0-0 |
| Groove packer F 33 – 42 |  | 33 x 42 x 1250  | coloured | 20 pc | H-12033-42-0-0 |
| Groove packer F 38 – 40 |  | 38 x 40 x 1250  | coloured | 15 pc | H-12038-40-0-0 |





# Gealan S 9000

GU system threshold 239 V



## Product characteristics

- For use at house entrance and balcony-doors
- GU strikers are installed flush with the tread surface
- Convenient threshold-to-frame / threshold-to-mullion connection
- Bottom connection by means of system-specific extension profiles
- Thermal break with PVC profiles
- No condensation on the inside
- Good thermal insulation

## Matching threshold extensions by Gealan

- 5201
- 5202
- 5203
- 5213

## Installation drawing

- 0-47017



### 1 GU system threshold 211 V

| Designation  |                              | Dimensions [mm] | Finish     | PU   | Order number   |
|--------------|------------------------------|-----------------|------------|------|----------------|
| GU SBS 211 V | without roller shutter guide | 82 x 20 x 6000  | EV1 / grey | 30 m | 6-37851-60-0-1 |

### Threshold-to-frame connector

| Designation |                 | Dimensions [mm] | Finish | PU       | Order number   |
|-------------|-----------------|-----------------|--------|----------|----------------|
| 6002        | for Gealan 9000 | 82.5 x 70       | grey   | 50 pairs | 6-35423-14-0H1 |
| 6002-1      |                 |                 |        | 10 pairs | 6-35423-14-0-1 |
| 6016        | for Gealan 9000 | 82.5 x 84       | grey   | 50 pairs | 6-35423-15-0H1 |
| 6016-1      |                 |                 |        | 10 pairs | 6-35423-15-0-1 |
| 6036        | for Gealan 9000 | 82.5 x 113      | grey   | 50 pairs | 6-35423-16-0H1 |
| 6036-1      |                 |                 |        | 10 pairs | 6-35423-16-0-1 |

### Threshold-to-mullion connector

| Designation |                 | Dimensions [mm] | Finish | PU    | Order number   |
|-------------|-----------------|-----------------|--------|-------|----------------|
| 6006        | for Gealan 9000 | 82.5 x 92       | grey   | 25 pc | 6-35424-10-0R1 |
| 6006-1      |                 |                 |        | 10 pc | 6-35424-10-0-1 |
| 6022        | for Gealan 9000 | 82.5 x 108      | grey   | 25 pc | 6-35424-11-0R1 |
| 6022-1      |                 |                 |        | 10 pc | 6-35424-11-0-1 |

### 2 Drip rail 266 + end cap 266

| Designation    |                     | Dimensions [mm] | Finish | PU        | Order number   |
|----------------|---------------------|-----------------|--------|-----------|----------------|
| Drip rail 266g | without accessories | 55 x 17 x 6000  | EV1    | 60 m      | 9-49668-60-0-1 |
|                |                     | 55 x 17 x 2000  | EV1    | 30 pc     | 9-49668-20-0-1 |
| End cap 266    | for drip rail 266g  | -               | grey   | 100 pairs | 9-49669-00-0-1 |

### Lip and brush seal for drip rail

| Designation  |  | Dimensions [mm] | Finish | PU     | Order number   |
|--------------|--|-----------------|--------|--------|----------------|
| 3 Lip seal   |  | 6 x 9 x 1100    | grey   | 100 pc | P-01922-01-0-1 |
| 4 Brush seal |  | 10              | grey   | 150 m  | H-01159-00-0-1 |

### Dummy mullion adapter 258

| Designation                                 |          | Dimensions [mm] | Finish | PU     | Order number   |
|---|----------|-----------------|--------|--------|----------------|
| Dummy mullion adapter 258 for drip rail 266 | on left  | 92 x 55         | grey   | 100 pc | 9-50283-01-L-1 |
|   | on right | 92 x 55         | grey   | 100 pc | 9-50283-01-R-1 |

### Levelling profile + end cap

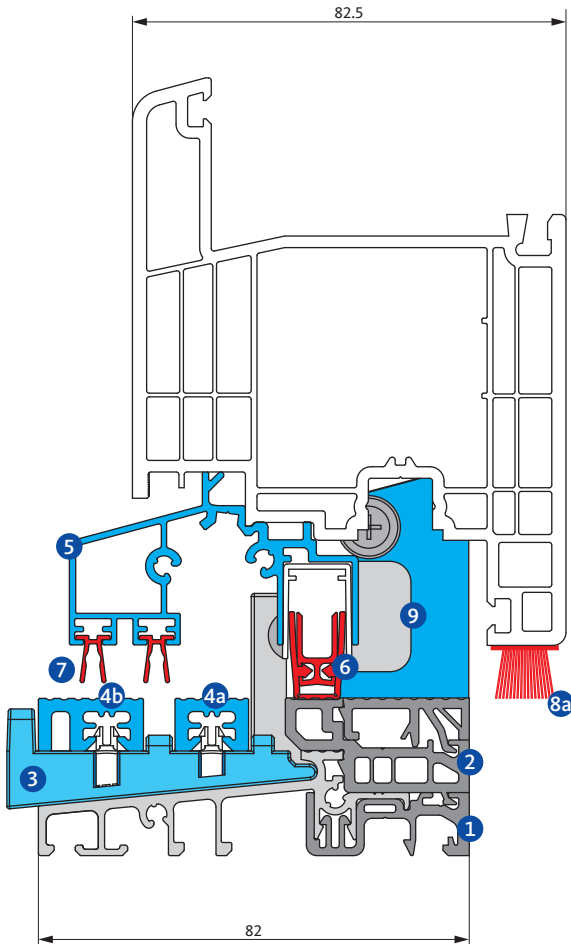
| Designation              |                             | Dimensions [mm] | Finish | PU       | Order number   |
|--------------------------|-----------------------------|-----------------|--------|----------|----------------|
| HAP 11 levelling profile |                             | 34 x 35 x 2000  | EV1    | 10 pc    | P-02098-20-0-1 |
| End cap                  | for HAP11 levelling profile | 13 x 35         | grey   | 10 pairs | 9-50204-01-0-1 |

### Groove packer for counter-milled groove

| Designation             |  | Dimensions [mm] | Finish   | PU    | Order number   |
|-------------------------|--|-----------------|----------|-------|----------------|
| Groove packer F 25 - 24 |  | 25 x 24 x 1250  | coloured | 25 pc | H-12025-24-0-0 |
| Groove packer F 25 - 43 |  | 25 x 43 x 1250  | coloured | 20 pc | H-12025-43-0-0 |
| Groove packer F 28 - 30 |  | 28 x 30 x 1250  | coloured | 25 pc | H-12028-30-0-0 |

# Gealan S 9000

GU system threshold 211 V bb



## Product characteristics

- For use at house entrance and balcony-doors
- A few additional components turn the GU system threshold into a floor-flush threshold system
- Available with optional patented additional lock
  - tested security also for 2-sashed elements up to resistance class RC2 according to EN 1627
  - for secure central locking in combination with commercially-available Tilt&Turn hardware
  - Tilt-First version available as option
  - strikers are installed flush with the tread surface
- Simple and easy installation without any additional milling work on the element
- Tightness against driving rain up to class 9A (also with double-leaf doors)
- Good thermal insulation
- Unmodified structural connections in the area of the threshold

## Matching threshold extensions by Gealan

- 5201
- 5202
- 5203
- 5213

## Installation drawing

- 0-48702

Suitable for barrier-free construction in compliance with DIN 18040





### 1 GU system threshold 211 V

| Designation  | Dimensions [mm]              | Finish         | PU         | Order number |                |
|--------------|------------------------------|----------------|------------|--------------|----------------|
| GU SBS 211 V | without roller shutter guide | 82 x 20 x 6000 | EV1 / grey | 30 m         | 6-37851-60-0-1 |

### 2 SBS bb levelling profile

| Designation            | Length [mm] | Finish | PU     | Order number   |
|------------------------|-------------|--------|--------|----------------|
| ZAP1 levelling profile | 1200        | grey   | 100 pc | P-02174-12-0-1 |
|                        | 2000        | grey   | 40 m   | P-02174-20-0-1 |
|                        | 6000        | grey   | 120 m  | P-02174-60-0-1 |

### 3 SBS bb supporting bridge

| Designation            | Dimensions [mm] | Finish | PU    | Order number   |
|------------------------|-----------------|--------|-------|----------------|
| Z103 supporting bridge | -               | grey   | 50 pc | 6-39708-03-0-1 |

### SBS bb support profiles

| Designation                | Length [mm] | Finish     | PU     | Order number   |
|----------------------------|-------------|------------|--------|----------------|
| 4a Z114 support profile 14 | 1200        | EV1 / grey | 100 pc | P-02175-12-0-1 |
|                            | 2000        | EV1 / grey | 36 pc  | P-02175-20-0-1 |
|                            | 6000        | EV1 / grey | 120 m  | P-02175-60-0-1 |
| 4b Z120 support profile 20 | 1200        | EV1 / grey | 80 pc  | P-02177-12-0-1 |
|                            | 2000        | EV1 / grey | 39 pc  | P-02177-20-0-1 |
|                            | 6000        | EV1 / grey | 96 m   | P-02177-60-0-1 |

### Threshold-to-frame connector

| Designation | Dimensions [mm] | Finish     | PU   | Order number |                |
|-------------|-----------------|------------|------|--------------|----------------|
| 6002        | for Gealan 9000 | 82.5 x 70  | grey | 50 pairs     | 6-35423-14-0H1 |
| 6002-1      |                 |            |      | 10 pairs     | 6-35423-14-0-1 |
| 6016        | for Gealan 9000 | 82.5 x 84  | grey | 50 pairs     | 6-35423-15-0H1 |
| 6016-1      |                 |            |      | 10 pairs     | 6-35423-15-0-1 |
| 6036        | for Gealan 9000 | 82.5 x 113 | grey | 50 pairs     | 6-35423-16-0H1 |
| 6036-1      |                 |            |      | 10 pairs     | 6-35423-16-0-1 |

### Threshold-to-mullion connector

| Designation | Dimensions [mm] | Finish     | PU   | Order number |                |
|-------------|-----------------|------------|------|--------------|----------------|
| 6006        | for Gealan 9000 | 82.5 x 92  | grey | 25 pc        | 6-35424-10-0R1 |
| 6006-1      |                 |            |      | 10 pc        | 6-35424-10-0-1 |
| 6022        | for Gealan 9000 | 82.5 x 108 | grey | 25 pc        | 6-35424-11-0R1 |
| 6022-1      |                 |            |      | 10 pc        | 6-35424-11-0-1 |

# Gealan S 9000

## GU system threshold 211 V bb



### 5 SBS bb drip rail + end cap

| Designation      |                     | Length [mm] | Finish | PU       | Order number   |
|------------------|---------------------|-------------|--------|----------|----------------|
| Z205 drip rail   | without accessories | 1200        | EV1    | 30 pc    | P-02230-12-0-1 |
|                  |                     | 6000        | EV1    | 36 m     | P-02230-60-0-1 |
| ZE205 end cap WS | for Z205 drip rail  | -           | grey   | 50 pairs | 9-51489-01-0-1 |

### 6 SBS bb lowerable gasket incl. run-up stop

| Designation            | SRW [mm]  | Dimensions [mm] | Finish     | PU   | Order number   |
|------------------------|-----------|-----------------|------------|------|----------------|
| ZAD3 lowerable gasket  | 220-335   | 18 x 13 x 335   | EV1 / grey | 5 pc | H-01868-03-0-0 |
| ZAD4 lowerable gasket  | 336-460   | 18 x 13 x 460   | EV1 / grey | 5 pc | H-01868-04-0-0 |
| ZAD5 lowerable gasket  | 461-585   | 18 x 13 x 585   | EV1 / grey | 5 pc | H-01868-05-0-0 |
| ZAD7 lowerable gasket  | 586-710   | 18 x 13 x 710   | EV1 / grey | 5 pc | H-01868-07-0-0 |
| ZAD8 lowerable gasket  | 711-835   | 18 x 13 x 835   | EV1 / grey | 5 pc | H-01868-08-0-0 |
| ZAD9 lowerable gasket  | 836-960   | 18 x 13 x 960   | EV1 / grey | 5 pc | H-01868-09-0-0 |
| ZAD10 lowerable gasket | 961-1085  | 18 x 13 x 1085  | EV1 / grey | 5 pc | H-01868-10-0-0 |
| ZAD12 lowerable gasket | 1086-1210 | 18 x 13 x 1210  | EV1 / grey | 5 pc | H-01868-12-0-0 |

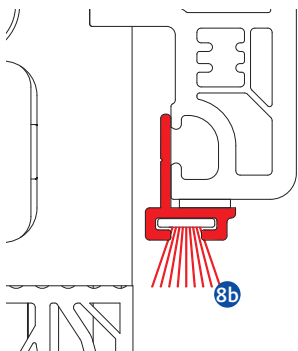
### Lip and brush seals

| Designation         |   | Dimensions [mm]  | Finish | PU     | Order number   |
|---------------------|---|------------------|--------|--------|----------------|
| 7                   | Lip seal                                    | 6 x 9 x 1100     | grey   | 100 pc | P-01922-01-0-1 |
| Not illustrated     | Brush seal, short, self-adhesive            | 12 x 8 x 27      | grey   | 100 pc | 9-49373-01-0-1 |
| 8a                  | Brush seal, self-adhesive                   | 12 x 10 x 1200   | grey   | 100 pc | H-01884-12-0-1 |
| Alternative for 8a: |   |                  |        |        |                |
| 8b                  | SBS bb Z-17315 brush seal 4P                | 6.7 x 8 x 1200   | grey   | 100 pc | 9-51903-12-0-0 |
|                     | SBS bb Z290 mounting profile, self-adhesive | 10.6 x 15 x 1200 | grey   | 100 pc | 6-40502-12-0-1 |

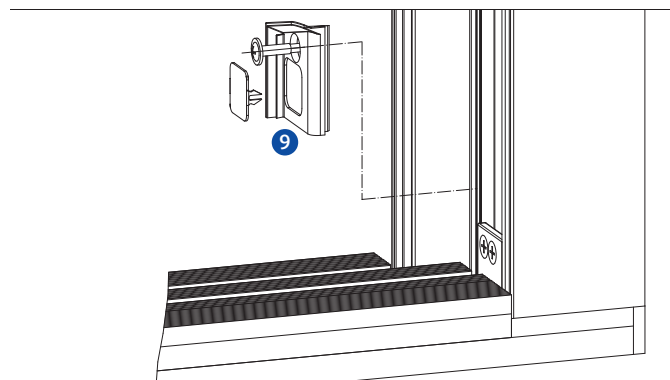
### 9 SBS bb rebate seal

| Designation                          | Dimensions [mm] | Finish | PU        | Order number   |
|--------------------------------------|-----------------|--------|-----------|----------------|
| Z405 rebate seal, incl. fixing screw | -               | grey   | 100 pairs | 6-39768-40-0-1 |

Brush seal with mounting profile



Rebate seal





## Accessories for 2-sash elements

### **11** Dummy mullion sealing element with SBS bb dummy mullion adapter

| Designation  | Finish | PU   | Order number   |
|--|--------|------|----------------|
| ZS05 dummy mullion sealing element with dummy mullion adapter  | grey   | 5 pc | K-20094-01-0-1 |
| Contains: 1 x dummy mullion sealing element, 1 x dummy mullion adapter, 1 x packer, 1 x sealing lip for supporting bridge, 3 x fixing screws |        |      |                |

## Additional accessories

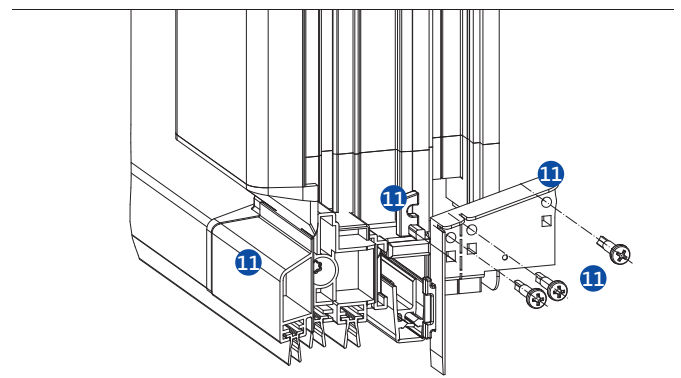
### Support plate

| Designation                          | Finish | PU     | Order number   |
|--------------------------------------|--------|--------|----------------|
| Support plate (sash hardware groove) | grey   | 100 pc | 9-35697-00-0-1 |

### Additional locks / strikers

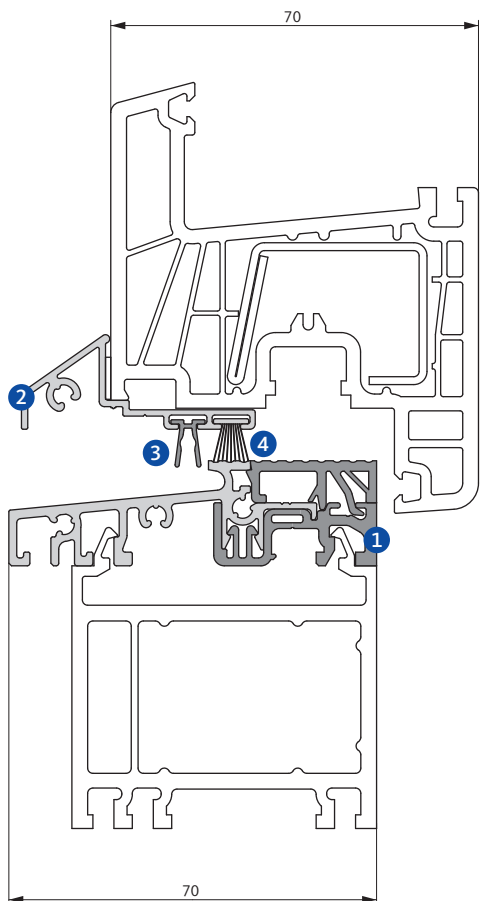
| Designation  |            |             | Finish     | PU   | Order number   |                |
|--|------------|-------------|------------|------|----------------|----------------|
|  |            |             |            |      | DIN LH         | DIN RH         |
| Additional lock SBS bb                                       | Tilt&Turn  | 2 deadbolts | galvanised | 1 pc | 6-39650-01-0-1 |                |
| Additional lock TF SBS bb                                    | Tilt-First | 1 deadbolt  | galvanised | 1 pc | 6-39650-02-L-1 | 6-39650-02-R-1 |
| Additional lock TU-ON SBS bb for ventilation restrictor-stay |            | 1 deadbolt  | galvanised | 1 pc | 6-39650-03-L-1 | 6-39650-03-R-1 |
| SBS bb striker   |            |             | galvanised | 1 pc | 9-51019-12-0-1 |                |
|  |            |             | galvanised | 1 pc | 9-51019-13-0-1 |                |
| Drilling jig for additional locks                            |            |             |            | 1 pc | 6-39804-01-0-1 |                |

Dummy mullion sealing element with dummy mullion adapter



# Profine Kömmerling 70

GU system threshold 224 V



## Product characteristics

- For use at house entrance and balcony-doors
- GU strikers are installed flush with the tread surface
- Convenient threshold-to-frame / threshold-to-mullion connection
- Bottom connection by means of system-specific extension profiles
- Thermal break with PVC profiles
- No condensation on the inside
- Good thermal insulation

## Matching threshold extensions by Profine

- |        |        |
|--------|--------|
| ■ 0997 | ■ 0207 |
| ■ 0998 | ■ 0210 |
| ■ 1046 | ■ 0246 |
| ■ 1271 | ■ 0301 |
| ■ 1272 | ■ K363 |
| ■ 0204 |        |





### 1 GU system threshold 224 V

| Designation  |                              | Dimensions [mm] | Finish     | PU   | Order number   |
|--------------|------------------------------|-----------------|------------|------|----------------|
| GU SBS 224 V | without roller shutter guide | 70 x 20 x 6000  | EV1 / grey | 30 m | 6-37852-60-0-1 |

### Threshold-to-frame connector

| Designation |                                 | Dimensions [mm] | Finish | Order number   |                |
|-------------|---------------------------------|-----------------|--------|----------------|----------------|
|             |                                 |                 |        | PU = 50 pairs  | PU = 10 pairs  |
| 5040        | for Kömmerling Classic BL 2501  | 70 x 70         | grey   | 6-35235-01-0H1 | 6-35235-01-0-1 |
| 5041        | for Kömmerling Classic BLR 2502 | 70 x 85         | grey   | 6-35235-02-0H1 | 6-35235-02-0-1 |
| 5060        | for Kömmerling Elegance BL 0501 | 70 x 70         | grey   | 6-35235-03-0H1 | 6-35235-03-0-1 |
| 5061        | for Kömmerling Elegance BL 0502 | 70 x 85         | grey   | 6-35235-04-0H1 | 6-35235-04-0-1 |
| 5042        | for Kömmerling France BL 6101   | 70 x 64         | grey   | 6-35235-05-0H1 | 6-35235-05-0-1 |
| 5043        | for Kömmerling France BL 6105   | 70 x 84         | grey   | 6-35235-06-0H1 | 6-35235-06-0-1 |
| 5044        | for Kömmerling France BL 6104   | 70 x 87         | grey   | 6-35235-07-0H1 | 6-35235-07-0-1 |
| 5049        | for Kömmerling France BLR 6102  | 70 x 77         | grey   | 6-35235-08-0H1 | 6-35235-08-0-1 |

### Threshold-to-mullion connector

| Designation |                                      | Dimensions [mm] | Finish | Order number   |                |
|-------------|--------------------------------------|-----------------|--------|----------------|----------------|
|             |                                      |                 |        | PU = 25 pcs    | PU = 10 pcs    |
| 5046        | for Kömmerling Classic PF 2422 / -25 | 70 x 90         | grey   | 6-35236-01-0R1 | 6-35236-01-0-1 |
| 5047        | for Kömmerling Classic PF 2423       | 70 x 105        | grey   | 6-35236-02-0R1 | 6-35236-02-0-1 |
| 5050        | for Kömmerling Classic PF 2427       | 70 x 115        | grey   | 6-35236-05-0R1 | 6-35236-05-0-1 |
| 5066        | for Kömmerling Elegance 0122/0125    | 70 x 90         | grey   | 6-35236-03-0R1 | 6-35236-03-0-1 |
| 5048        | for Kömmerling Elegance 0123         | 70 x 105        | grey   | 6-35236-04-0R1 | 6-35236-04-0-1 |

### 2 Drip rail 247 + end cap 242

| Designation    |                              | Dimensions [mm]  | Finish | PU         | Order number   |
|----------------|------------------------------|------------------|--------|------------|----------------|
| Drip rail 247g | without accessories          | 44.5 x 18 x 5520 | EV1    | 55.2 m     | 6-34828-56-0-1 |
|                |                              | 44.5 x 18 x 1840 | EV1    | 30 pc      | 6-34828-18-0-1 |
|                | with end caps and brush seal | 44.5 x 18 x 1100 | EV1    | Set of 25* | 6-34828-00-0-1 |
| End cap 242    | for drip rail 247g           | -                | grey   | 100 pairs  | 9-46028-00-0-1 |
| Drip rail 247b | without accessories          | 44.5 x 18 x 5520 | brown  | 55.2 m     | 6-34828-56-0-5 |
|                |                              | 44.5 x 18 x 1840 | brown  | 30 pc      | 6-34828-18-0-5 |
|                | with end caps and brush seal | 44.5 x 18 x 1100 | brown  | Set of 25* | 6-34828-00-0-5 |
| End cap 242    | for drip rail 247b           | -                | brown  | 100 pairs  | 9-46028-00-0-5 |
| Drip rail 247w | without accessories          | 44.5 x 18 x 5520 | white  | 55.2 m     | 6-34828-56-0-7 |
|                |                              | 44.5 x 18 x 1840 | white  | 30 pc      | 6-34828-18-0-7 |
|                | with end caps and brush seal | 44.5 x 18 x 1100 | white  | Set of 25* | 6-34828-00-0-7 |
| End cap 242    | for drip rail 247w           | -                | white  | 100 pairs  | 9-46028-00-0-7 |

\* Contains: 25 x 1100 mm drip rail, 25 pairs of end caps, 25 x 1100 mm brush seals

# Profine Kömmerling 70

GU system threshold 224 V



## Lip and brush seal for drip rail

| Designation |            | Dimensions [mm] | Finish | PU     | Order number   |
|-------------|------------|-----------------|--------|--------|----------------|
| 3           | Lip seal   | 6 x 9 x 1100    | grey   | 100 pc | P-01922-01-0-1 |
| 4           | Brush seal | 10              | grey   | 150 m  | H-01159-00-0-1 |

## Dummy mullion adapter 252

| Designation               |                   | Dimensions [mm] | Finish | PU    | Order number   |
|---------------------------|-------------------|-----------------|--------|-------|----------------|
| Dummy mullion adapter 252 | for drip rail 247 | 83 x 28         | grey   | 25 pc | 9-45549-00-0-1 |

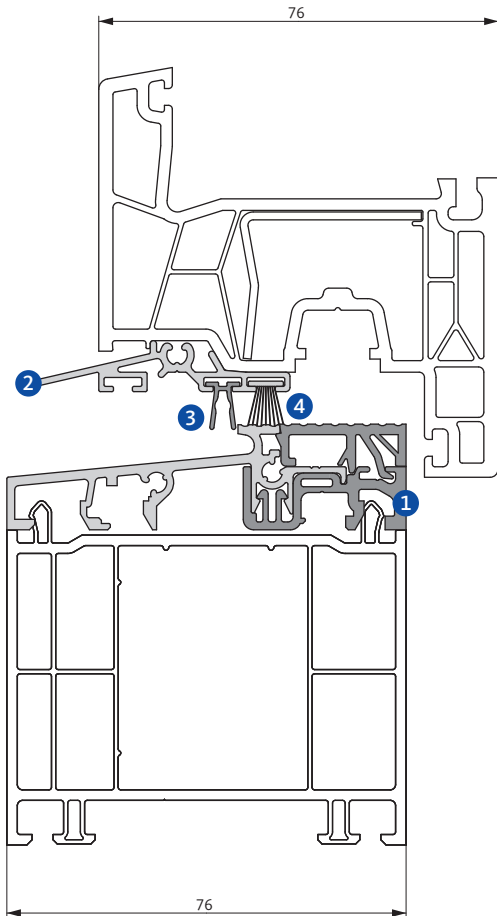
## Groove packer for counter-milled groove

| Designation             |  | Dimensions [mm] | Finish   | PU    | Order number   |
|-------------------------|--|-----------------|----------|-------|----------------|
| Groove packer F 28 – 35 |  | 28 x 35 x 1250  | coloured | 20 pc | H-12028-35-0-0 |
| Groove packer F 38 – 40 |  | 38 x 40 x 1250  | coloured | 15 pc | H-12038-40-0-0 |



# Profine KBE 76 AD

GU system threshold 272 V



## Product characteristics

- For use at house entrance and balcony-doors
- GU strikers are installed flush with the tread surface
- Convenient threshold-to-frame / threshold-to-mullion connection
- Bottom connection by means of system-specific extension profiles
- Thermal break with PVC profiles
- No condensation on the inside
- Good thermal insulation

## Matching threshold extensions by Profine KBE

- 76701
- 76702
- 76703
- 360
- 362
- 363

## Installation drawing

- 0-47620



### 1 GU system threshold 272 V

| Designation  |                              | Dimensions [mm] | Finish     | PU   | Order number   |
|--------------|------------------------------|-----------------|------------|------|----------------|
| GU SBS 272 V | without roller shutter guide | 76 x 20 x 6000  | EV1 / grey | 30 m | 6-38783-60-0-1 |

### Threshold-to-frame connector

| Designation |                            | Dimensions [mm] | Finish | PU       | Order number   |
|-------------|----------------------------|-----------------|--------|----------|----------------|
| 5070        | for Profine Phalanx 76 101 | 76 x 67         | grey   | 50 pairs | 6-37873-11-0H1 |
|             |                            |                 |        | 10 pairs | 6-37873-11-0-1 |
| 5071        | for Profine Phalanx 76 102 | 76 x 85         | grey   | 50 pairs | 6-37873-12-0H1 |
|             |                            |                 |        | 10 pairs | 6-37873-12-0-1 |
| 5072        | for Profine Phalanx 76 103 | 76 x 97         | grey   | 50 pairs | 6-37873-13-0H1 |
|             |                            |                 |        | 10 pairs | 6-37873-13-0-1 |

### Threshold-to-mullion connector

| Designation |                            | Dimensions [mm] | Finish | PU    | Order number   |
|-------------|----------------------------|-----------------|--------|-------|----------------|
| 5076        | for Profine Phalanx 76 301 | 76 x 84         | grey   | 25 pc | 6-37874-01-0R1 |
|             |                            |                 |        | 10 pc | 6-37874-01-0-1 |
| 5077        | for Profine Phalanx 76 303 | 76 x 101        | grey   | 25 pc | 6-37874-02-0R1 |
|             |                            |                 |        | 10 pc | 6-37874-02-0-1 |

### 2 Drip rail 267 + end cap 267

| Designation    |                              | Dimensions [mm] | Finish | PU         | Order number   |
|----------------|------------------------------|-----------------|--------|------------|----------------|
| Drip rail 267g | without accessories          | 50 x 9.7 x 6000 | EV1    | 60 m       | P-02132-60-0-1 |
|                | with end caps and brush seal | 50 x 10 x 1200  | EV1    | Set of 25* | 6-39252-12-0-1 |
| End cap 267    | for drip rail 267g           | -               | grey   | 100 pairs  | 9-50386-01-0-1 |

\* Contains: 25 x 1100 mm drip rail, 25 pairs of end caps, 25 x 1100 mm brush seals

### Lip and brush seal for drip rail

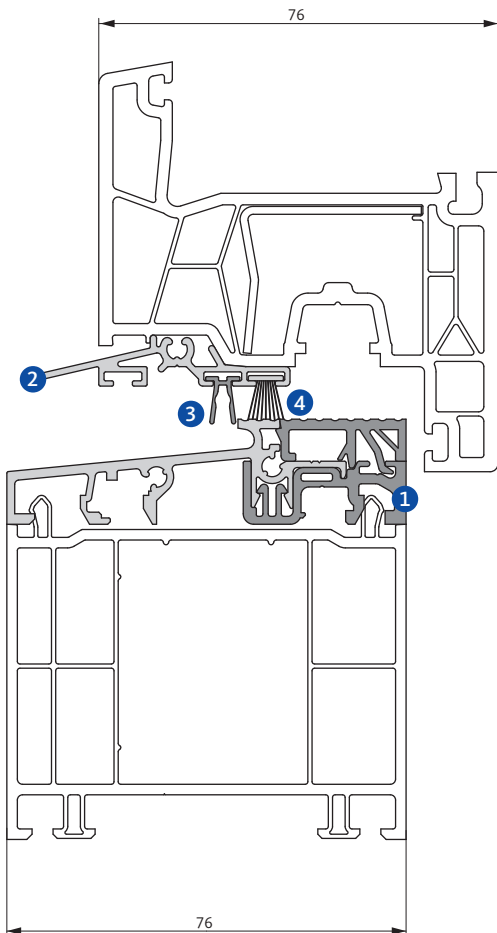
| Designation |            | Dimensions [mm] | Finish | PU     | Order number   |
|-------------|------------|-----------------|--------|--------|----------------|
| 3           | Lip seal   | 6 x 9 x 1100    | grey   | 100 pc | P-01922-01-0-1 |
| 4           | Brush seal | 10              | grey   | 150 m  | H-01159-00-0-1 |

### Groove packer for counter-milled groove

| Designation             |  | Dimensions [mm] | Finish   | PU    | Order number   |
|-------------------------|--|-----------------|----------|-------|----------------|
| Groove packer F 28 - 32 |  | 28 x 32 x 1250  | coloured | 25 pc | H-12028-32-0-0 |
| Groove packer F 35 - 40 |  | 35 x 40 x 1250  | coloured | 15 pc | H-12035-40-0-0 |

# Profine Kömmerling 76 AD

GU system threshold 272 V



## Product characteristics

- For use at house entrance and balcony-doors
- GU strikers are installed flush with the tread surface
- Convenient threshold-to-frame / threshold-to-mullion connection
- Bottom connection by means of system-specific extension profiles
- Thermal break with PVC profiles
- No condensation on the inside
- Good thermal insulation

## Matching threshold extensions by Profine Kömmerling

- |         |        |
|---------|--------|
| ■ K363  | ■ 0997 |
| ■ 0204  | ■ 0998 |
| ■ 0210  | ■ 1046 |
| ■ 0246  | ■ 1271 |
| ■ 76704 | ■ 1272 |
| ■ 76705 |        |

## Installation drawing

- 0-47620



### 1 GU system threshold 272 V

| Designation  |                              | Dimensions [mm] | Finish     | PU   | Order number   |
|--------------|------------------------------|-----------------|------------|------|----------------|
| GU SBS 272 V | without roller shutter guide | 76 x 20 x 6000  | EV1 / grey | 30 m | 6-38783-60-0-1 |

### Threshold-to-frame connector

| Designation |                            | Dimensions [mm] | Finish | PU       | Order number   |
|-------------|----------------------------|-----------------|--------|----------|----------------|
| 5070        | for Profine Phalanx 76 101 | 76 x 67         | grey   | 50 pairs | 6-37873-11-0H1 |
|             |                            |                 |        | 10 pairs | 6-37873-11-0-1 |
| 5071        | for Profine Phalanx 76 102 | 76 x 85         | grey   | 50 pairs | 6-37873-12-0H1 |
|             |                            |                 |        | 10 pairs | 6-37873-12-0-1 |
| 5072        | for Profine Phalanx 76 103 | 76 x 97         | grey   | 50 pairs | 6-37873-13-0H1 |
|             |                            |                 |        | 10 pairs | 6-37873-13-0-1 |

### Threshold-to-mullion connector

| Designation |                            | Dimensions [mm] | Finish | PU    | Order number   |
|-------------|----------------------------|-----------------|--------|-------|----------------|
| 5076        | for Profine Phalanx 76 301 | 76 x 84         | grey   | 25 pc | 6-37874-01-0R1 |
|             |                            |                 |        | 10 pc | 6-37874-01-0-1 |
| 5077        | for Profine Phalanx 76 303 | 76 x 101        | grey   | 25 pc | 6-37874-02-0R1 |
|             |                            |                 |        | 10 pc | 6-37874-02-0-1 |

### 2 Drip rail 267 + end cap 267

| Designation    |                              | Dimensions [mm] | Finish | PU         | Order number   |
|----------------|------------------------------|-----------------|--------|------------|----------------|
| Drip rail 267g | without accessories          | 50 x 9.7 x 6000 | EV1    | 60 m       | P-02132-60-0-1 |
|                | with end caps and brush seal | 50 x 10 x 1200  | EV1    | Set of 25* | 6-39252-12-0-1 |
| End cap 267    | for drip rail 267g           | -               | grey   | 100 pairs  | 9-50386-01-0-1 |

\* Contains: 25 x 1100 mm drip rail, 25 pairs of end caps, 25 x 1100 mm brush seals

### Lip and brush seal for drip rail

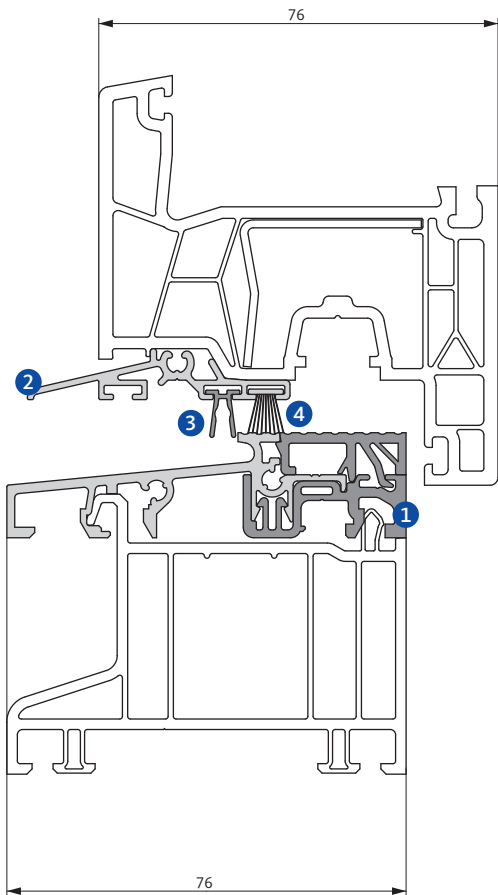
| Designation |            | Dimensions [mm] | Finish | PU     | Order number   |
|-------------|------------|-----------------|--------|--------|----------------|
| 3           | Lip seal   | 6 x 9 x 1100    | grey   | 100 pc | P-01922-01-0-1 |
| 4           | Brush seal | 10              | grey   | 150 m  | H-01159-00-0-1 |

### Groove packer for counter-milled groove

| Designation            |  | Dimensions [mm] | Finish   | PU    | Order number   |
|------------------------|--|-----------------|----------|-------|----------------|
| Groove packer F 28- 32 |  | 28 x 32 x 1250  | coloured | 25 pc | H-12028-32-0-0 |
| Groove packer F 35-40  |  | 35 x 40 x 1250  | coloured | 15 pc | H-12035-40-0-0 |

# Profine Trocal 76 AD

GU system threshold 272 V



## Product characteristics

- For use at house entrance and balcony-doors
- GU strikers are installed flush with the tread surface
- Convenient threshold-to-frame / threshold-to-mullion connection
- Bottom connection by means of system-specific extension profiles
- Thermal break with PVC profiles
- No condensation on the inside
- Good thermal insulation

## Matching threshold extensions by Profine Trocal

- 76704
- 76705

## Installation drawing

- 0-47620





### 1 GU system threshold 272 V

| Designation  |                              | Dimensions [mm] | Finish     | PU   | Order number   |
|--------------|------------------------------|-----------------|------------|------|----------------|
| GU SBS 272 V | without roller shutter guide | 76 x 20 x 6000  | EV1 / grey | 30 m | 6-38783-60-0-1 |

### Threshold-to-frame connector

| Designation |                            | Dimensions [mm] | Finish | PU       | Order number   |
|-------------|----------------------------|-----------------|--------|----------|----------------|
| 5070        | for Profine Phalanx 76 101 | 76 x 67         | grey   | 50 pairs | 6-37873-11-0H1 |
|             |                            |                 |        | 10 pairs | 6-37873-11-0-1 |
| 5071        | for Profine Phalanx 76 102 | 76 x 85         | grey   | 50 pairs | 6-37873-12-0H1 |
|             |                            |                 |        | 10 pairs | 6-37873-12-0-1 |
| 5072        | for Profine Phalanx 76 103 | 76 x 97         | grey   | 50 pairs | 6-37873-13-0H1 |
|             |                            |                 |        | 10 pairs | 6-37873-13-0-1 |

### Threshold-to-mullion connector

| Designation |                            | Dimensions [mm] | Finish | PU    | Order number   |
|-------------|----------------------------|-----------------|--------|-------|----------------|
| 5076        | for Profine Phalanx 76 301 | 76 x 84         | grey   | 25 pc | 6-37874-01-0R1 |
|             |                            |                 |        | 10 pc | 6-37874-01-0-1 |
| 5077        | for Profine Phalanx 76 303 | 76 x 101        | grey   | 25 pc | 6-37874-02-0R1 |
|             |                            |                 |        | 10 pc | 6-37874-02-0-1 |

### 2 Drip rail 267 + end cap 267

| Designation    |                              | Dimensions [mm] | Finish | PU         | Order number   |
|----------------|------------------------------|-----------------|--------|------------|----------------|
| Drip rail 267g | without accessories          | 50 x 9.7 x 6000 | EV1    | 60 m       | P-02132-60-0-1 |
|                | with end caps and brush seal | 50 x 10 x 1200  | EV1    | Set of 25* | 6-39252-12-0-1 |
| End cap 267    | for drip rail 267g           | -               | grey   | 100 pairs  | 9-50386-01-0-1 |

\* Contains: 25 x 1100 mm drip rail, 25 pairs of end caps, 25 x 1100 mm brush seals

### Lip and brush seal for drip rail

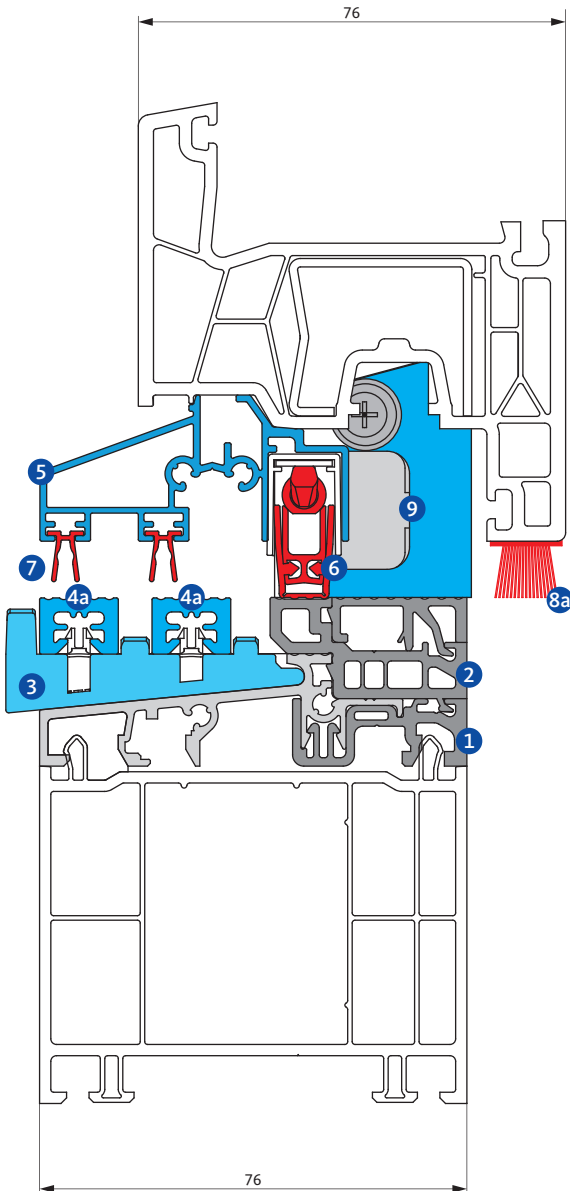
| Designation |            | Dimensions [mm] | Finish | PU     | Order number   |
|-------------|------------|-----------------|--------|--------|----------------|
| 3           | Lip seal   | 6 x 9 x 1100    | grey   | 100 pc | P-01922-01-0-1 |
| 4           | Brush seal | 10              | grey   | 150 m  | H-01159-00-0-1 |

### Groove packer for counter-milled groove

| Designation             |  | Dimensions [mm] | Finish   | PU    | Order number   |
|-------------------------|--|-----------------|----------|-------|----------------|
| Groove packer F 28 - 32 |  | 28 x 32 x 1250  | coloured | 25 pc | H-12028-32-0-0 |
| Groove packer F 35 - 40 |  | 35 x 40 x 1250  | coloured | 15 pc | H-12035-40-0-0 |

# Profine 76 AD

GU system threshold 272 V bb



## Product characteristics

- For use at house entrance and balcony-doors
- A few additional components turn the GU system threshold into a floor-flush threshold system
- Available with optional patented additional lock
  - tested security also for 2-sashed elements up to resistance class RC2 according to EN 1627
  - for secure central locking in combination with commercially-available Tilt&Turn hardware
  - Tilt-First version available as option
  - strikers are installed flush with the tread surface
- Simple and easy installation without any additional milling work on the element
- Tightness against driving rain up to class 9A (also with double-leaf doors)
- Good thermal insulation
- Unmodified structural connections in the area of the threshold

## Matching threshold extensions by Profine

- |         |        |
|---------|--------|
| ■ K363  | ■ 0997 |
| ■ 0204  | ■ 0998 |
| ■ 0210  | ■ 1046 |
| ■ 0246  | ■ 1271 |
| ■ 76704 | ■ 1272 |
| ■ 76705 |        |

## Installation drawing

- 0-48709

Suitable for barrier-free construction in compliance with DIN 18040





### 1 GU system threshold 272 V

| Designation  |                              | Dimensions [mm] | Finish     | PU   | Order number   |
|--------------|------------------------------|-----------------|------------|------|----------------|
| GU SBS 272 V | without roller shutter guide | 76 x 20 x 6000  | EV1 / grey | 30 m | 6-38783-60-0-1 |

### 2 SBS bb levelling profile

| Designation            | Length [mm] | Finish | PU     | Order number   |
|------------------------|-------------|--------|--------|----------------|
| ZAP1 levelling profile | 1200        | grey   | 100 pc | P-02174-12-0-1 |
|                        | 2000        | grey   | 40 m   | P-02174-20-0-1 |
|                        | 6000        | grey   | 120 m  | P-02174-60-0-1 |

### 3 SBS bb supporting bridge

| Designation            | Dimensions [mm] | Finish | PU    | Order number   |
|------------------------|-----------------|--------|-------|----------------|
| Z101 supporting bridge | -               | grey   | 50 pc | 6-39708-01-0-1 |

### 4a SBS bb support profile

| Designation             | Length [mm] | Finish     | PU     | Order number   |
|-------------------------|-------------|------------|--------|----------------|
| Z114 support profile 14 | 1200        | EV1 / grey | 100 pc | P-02175-12-0-1 |
|                         | 2000        | EV1 / grey | 36 pc  | P-02175-20-0-1 |
|                         | 6000        | EV1 / grey | 120 m  | P-02175-60-0-1 |

### Threshold-to-frame connector

| Designation |                    | Dimensions [mm] | Finish | PU       | Order number   |
|-------------|--------------------|-----------------|--------|----------|----------------|
| 5070        | for Profine 76 101 | 76 x 67         | grey   | 50 pairs | 6-37873-11-0H1 |
|             |                    |                 |        | 10 pairs | 6-37873-11-0-1 |
| 5071        | for Profine 76 102 | 76 x 85         | grey   | 50 pairs | 6-37873-12-0H1 |
|             |                    |                 |        | 10 pairs | 6-37873-12-0-1 |
| 5072        | for Profine 76 103 | 76 x 97         | grey   | 50 pairs | 6-37873-13-0H1 |
|             |                    |                 |        | 10 pairs | 6-37873-13-0-1 |

### Threshold-to-mullion connector

| Designation |                    | Dimensions [mm] | Finish | PU    | Order number   |
|-------------|--------------------|-----------------|--------|-------|----------------|
| 5076        | for Profine 76 301 | 76 x 84         | grey   | 25 pc | 6-37874-01-0R1 |
|             |                    |                 |        | 10 pc | 6-37874-01-0-1 |
| 5077        | for Profine 76 303 | 76 x 101        | grey   | 25 pc | 6-37874-02-0R1 |
|             |                    |                 |        | 10 pc | 6-37874-02-0-1 |

# Profine 76 AD

## GU system threshold 272 V bb



### 5 SBS bb drip rail + end cap

| Designation      |                     | Length [mm] | Finish | PU       | Order number   |
|------------------|---------------------|-------------|--------|----------|----------------|
| Z206 drip rail   | without accessories | 1200        | EV1    | 30 pc    | P-02220-12-0-1 |
|                  |                     | 6000        | EV1    | 36 m     | P-02220-60-0-1 |
| ZE206 end cap WS | for Z206 drip rail  | -           | grey   | 50 pairs | 9-51594-01-0-1 |

### 6 SBS bb lowerable gasket incl. run-up stop

| Designation            | SRW [mm]  | Dimensions [mm] | Finish     | PU   | Order number   |
|------------------------|-----------|-----------------|------------|------|----------------|
| ZAD3 lowerable gasket  | 220-335   | 18 x 13 x 335   | EV1 / grey | 5 pc | H-01868-03-0-0 |
| ZAD4 lowerable gasket  | 336-460   | 18 x 13 x 460   | EV1 / grey | 5 pc | H-01868-04-0-0 |
| ZAD5 lowerable gasket  | 461-585   | 18 x 13 x 585   | EV1 / grey | 5 pc | H-01868-05-0-0 |
| ZAD7 lowerable gasket  | 586-710   | 18 x 13 x 710   | EV1 / grey | 5 pc | H-01868-07-0-0 |
| ZAD8 lowerable gasket  | 711-835   | 18 x 13 x 835   | EV1 / grey | 5 pc | H-01868-08-0-0 |
| ZAD9 lowerable gasket  | 836-960   | 18 x 13 x 960   | EV1 / grey | 5 pc | H-01868-09-0-0 |
| ZAD10 lowerable gasket | 961-1085  | 18 x 13 x 1085  | EV1 / grey | 5 pc | H-01868-10-0-0 |
| ZAD12 lowerable gasket | 1086-1210 | 18 x 13 x 1210  | EV1 / grey | 5 pc | H-01868-12-0-0 |

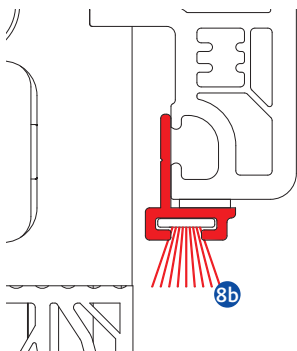
### Lip and brush seals

| Designation         |   | Dimensions [mm]  | Finish | PU     | Order number   |
|---------------------|---|------------------|--------|--------|----------------|
| 7                   | Lip seal                                    | 6 x 9 x 1100     | grey   | 100 pc | P-01922-01-0-1 |
| Not illustrated     | Brush seal, short, self-adhesive            | 12 x 8 x 27      | grey   | 100 pc | 9-49373-01-0-1 |
| 8a                  | Brush seal, self-adhesive                   | 12 x 10 x 1200   | grey   | 100 pc | H-01884-12-0-1 |
| Alternative for 8a: |   |                  |        |        |                |
| 8b                  | SBS bb Z-17315 brush seal 4P                | 6.7 x 8 x 1200   | grey   | 100 pc | 9-51903-12-0-0 |
|                     | SBS bb Z290 mounting profile, self-adhesive | 10.6 x 15 x 1200 | grey   | 100 pc | 6-40502-12-0-1 |

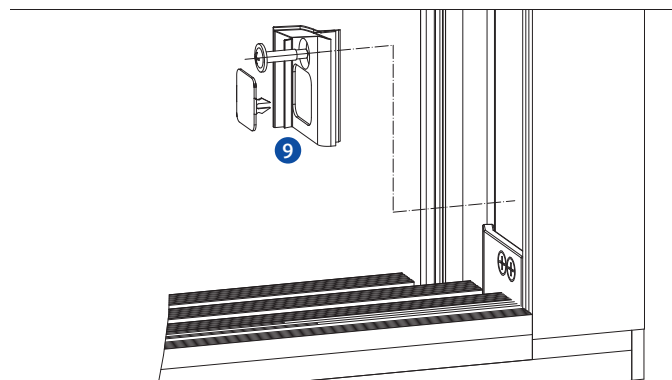
### 9 SBS bb rebate seal

| Designation                          | Dimensions [mm] | Finish | PU        | Order number   |
|--------------------------------------|-----------------|--------|-----------|----------------|
| Z405 rebate seal, incl. fixing screw | -               | grey   | 100 pairs | 6-39768-40-0-1 |

Brush seal with mounting profile



Rebate seal





## Accessories for 2-sash elements

### **11** Dummy mullion sealing element with SBS bb dummy mullion adapter

| Designation  | Finish | PU   | Order number   |
|--|--------|------|----------------|
| ZS06 dummy mullion sealing element with dummy mullion adapter  | grey   | 5 pc | K-20094-04-0-1 |
| Contains: 1 x dummy mullion sealing element, 1 x dummy mullion adapter, 1 x sealing lip for supporting bridge, 3 x fixing screws |        |      |                |

## Additional accessories

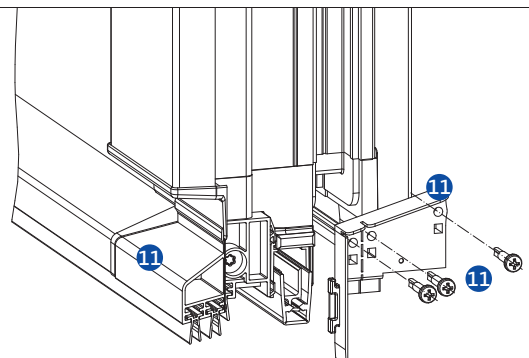
### Support plate

| Designation                          | Finish | PU     | Order number   |
|--------------------------------------|--------|--------|----------------|
| Support plate (sash hardware groove) | grey   | 100 pc | 9-35697-00-0-1 |

### Additional locks / strikers

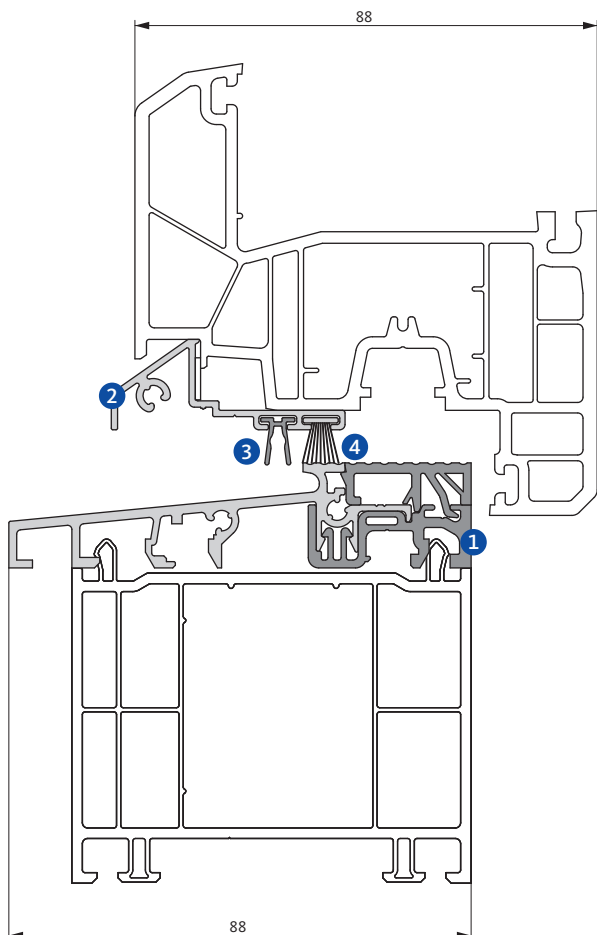
| Designation  |            |             | Finish     | PU   | Order number   |                |
|--|------------|-------------|------------|------|----------------|----------------|
|  |            |             |            |      | DIN LH         | DIN RH         |
| Additional lock SBS bb                                       | Tilt&Turn  | 2 deadbolts | galvanised | 1 pc | 6-39650-01-0-1 |                |
| Additional lock TF SBS bb                                    | Tilt-First | 1 deadbolt  | galvanised | 1 pc | 6-39650-02-L-1 | 6-39650-02-R-1 |
| Additional lock TU-ON SBS bb for ventilation restrictor-stay |            | 1 deadbolt  | galvanised | 1 pc | 6-39650-03-L-1 | 6-39650-03-R-1 |
| SBS bb striker   |            |             | galvanised | 1 pc | 9-51019-12-0-1 |                |
|  |            |             | galvanised | 1 pc | 9-51019-13-0-1 |                |
| Drilling jig for additional locks                            |            |             |            | 1 pc | 6-39804-01-0-1 |                |

### Dummy mullion sealing element with dummy mullion adapter



# Profine KBE 88+

GU system threshold 274 V



## Product characteristics

- For use at house entrance and balcony-doors
- GU strikers are installed flush with the tread surface
- Convenient threshold-to-frame / threshold-to-mullion connection
- Bottom connection by means of system-specific extension profiles
- Thermal break with PVC profiles
- No condensation on the inside
- Good thermal insulation

## Matching threshold extensions by Profine KBE

- 76701
- 76702
- 76703
- 360
- 362
- 363



① GU system threshold 274 V

| Designation  |                              | Dimensions [mm] | Finish     | PU   | Order number   |
|--------------|------------------------------|-----------------|------------|------|----------------|
| GU SBS 274 V | without roller shutter guide | 88 x 20 x 6000  | EV1 / grey | 30 m | 6-38967-60-0-1 |

Threshold-to-frame connector

| Designation |             | Dimensions [mm] | Finish | PU       | Order number   |
|-------------|-------------|-----------------|--------|----------|----------------|
| 8372        | for KBE 88+ | 88 x 87         | grey   | 50 pairs | 6-35409-05-0H1 |
| 8372-1      |             |                 |        | 10 pairs | 6-35409-05-0-1 |

Threshold-to-mullion connector

| Designation |             | Dimensions [mm] | Finish | PU    | Order number   |
|-------------|-------------|-----------------|--------|-------|----------------|
| 8380        | for KBE 88+ | 88 x 105        | grey   | 25 pc | 6-35410-03-0R1 |
| 8380-1      |             |                 |        | 10 pc | 6-35410-03-0-1 |

② Drip rail 247 + end cap 242

| Designation    |                              | Dimensions [mm]  | Finish | PU         | Order number   |
|----------------|------------------------------|------------------|--------|------------|----------------|
| Drip rail 247g | without accessories          | 44.5 x 18 x 5520 | EV1    | 55.2 m     | 6-34828-56-0-1 |
|                |                              | 44.5 x 18 x 1840 | EV1    | 30 pc      | 6-34828-18-0-1 |
|                | with end caps and brush seal | 44.5 x 18 x 1100 | EV1    | Set of 25* | 6-34828-00-0-1 |
| End cap 242    | for drip rail 247g           | -                | grey   | 100 pairs  | 9-46028-00-0-1 |
| Drip rail 247b | without accessories          | 44.5 x 18 x 5520 | brown  | 55.2 m     | 6-34828-56-0-5 |
|                |                              | 44.5 x 18 x 1840 | brown  | 30 pc      | 6-34828-18-0-5 |
|                | with end caps and brush seal | 44.5 x 18 x 1100 | brown  | Set of 25* | 6-34828-00-0-5 |
| End cap 242    | for drip rail 247b           | -                | brown  | 100 pairs  | 9-46028-00-0-5 |
| Drip rail 247w | without accessories          | 44.5 x 18 x 5520 | white  | 55.2 m     | 6-34828-56-0-7 |
|                |                              | 44.5 x 18 x 1840 | white  | 30 pc      | 6-34828-18-0-7 |
|                | with end caps and brush seal | 44.5 x 18 x 1100 | white  | Set of 25* | 6-34828-00-0-7 |
| End cap 242    | for drip rail 247w           | -                | white  | 100 pairs  | 9-46028-00-0-7 |

\* Contains: 25 x 1100 mm drip rail, 25 pairs of end caps, 25 x 1100 mm brush seals

Lip and brush seal for drip rail

| Designation  |  | Dimensions [mm] | Finish | PU     | Order number   |
|--------------|--|-----------------|--------|--------|----------------|
| ③ Lip seal   |  | 6 x 9 x 1100    | grey   | 100 pc | P-01922-01-0-1 |
| ④ Brush seal |  | 10              | grey   | 150 m  | H-01159-00-0-1 |

Dummy mullion adapter 252

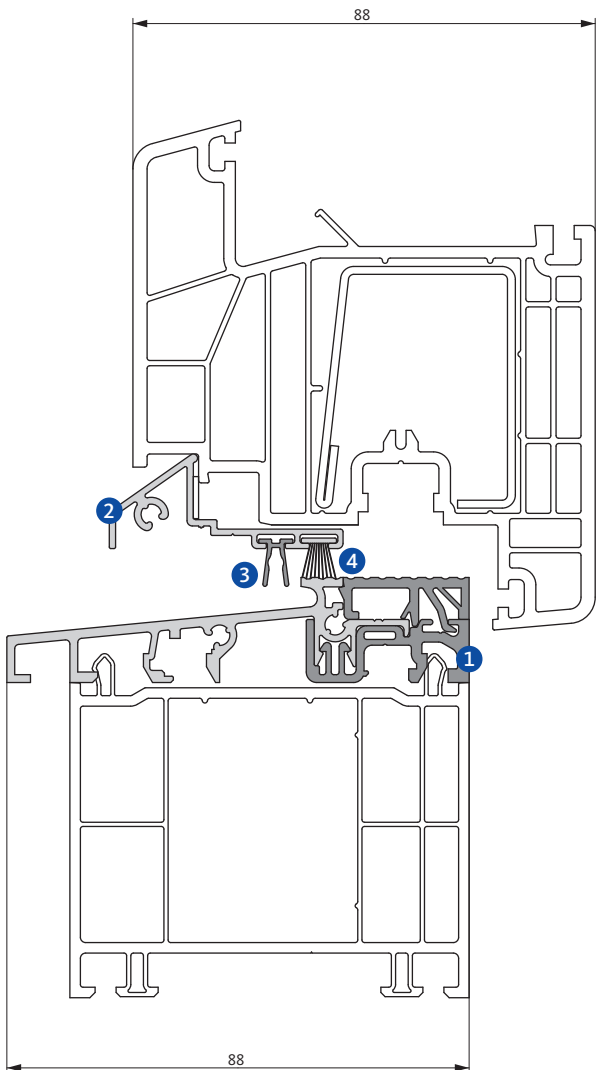
| Designation               |                   | Dimensions [mm] | Finish | PU    | Order number   |
|---------------------------|-------------------|-----------------|--------|-------|----------------|
| Dummy mullion adapter 252 | for drip rail 247 | 83 x 28         | grey   | 25 pc | 9-45549-00-0-1 |

Groove packer for counter-milled groove

| Designation             |  | Dimensions [mm] | Finish   | PU    | Order number   |
|-------------------------|--|-----------------|----------|-------|----------------|
| Groove packer F 28 - 35 |  | 28 x 35 x 1250  | coloured | 20 pc | H-12028-35-0-0 |
| Groove packer F 30 - 35 |  | 30 x 35 x 1250  | coloured | 20 pc | H-12030-35-0-0 |

# Profine Kömmerling 88+

GU system threshold 274 V



## Product characteristics

- For use at house entrance and balcony-doors
- GU strikers are installed flush with the tread surface
- Convenient threshold-to-frame / threshold-to-mullion connection
- Bottom connection by means of system-specific extension profiles
- Thermal break with PVC profiles
- No condensation on the inside
- Good thermal insulation

## Matching threshold extensions by Profine Kömmerling

- 76700
- 76701
- 76702
- 76703

## Installation drawing

- 0-45852





### 1 GU system threshold 274 V

| Designation  |                              | Dimensions [mm] | Finish     | PU   | Order number   |
|--------------|------------------------------|-----------------|------------|------|----------------|
| GU SBS 274 V | without roller shutter guide | 88 x 20 x 6000  | EV1 / grey | 30 m | 6-38967-60-0-1 |

### Threshold-to-frame connector

| Designation |                    | Dimensions [mm] | Finish | PU       | Order number   |
|-------------|--------------------|-----------------|--------|----------|----------------|
| 6201        | for Kömmerling 88+ | 88 x 76         | grey   | 50 pairs | 6-35409-03-0H1 |
| 6201-1      |                    |                 |        | 10 pairs | 6-35409-03-0-1 |
| 6202        | for Kömmerling 88+ | 88 x 89         | grey   | 50 pairs | 6-35409-04-0H1 |
| 6202-1      |                    |                 |        | 10 pairs | 6-35409-04-0-1 |

### Threshold-to-mullion connector

| Designation |                    | Dimensions [mm] | Finish | PU    | Order number   |
|-------------|--------------------|-----------------|--------|-------|----------------|
| 6221        | for Kömmerling 88+ | 88 x 98         | grey   | 25 pc | 6-35410-01-0R1 |
| 6221-1      |                    |                 |        | 10 pc | 6-35410-01-0-1 |
| 6227        | for Kömmerling 88+ | 88 x 124        | grey   | 25 pc | 6-35410-04-0R1 |
| 6227-1      |                    |                 |        | 10 pc | 6-35410-04-0-1 |

### 2 Drip rail 247 + end cap 242

| Designation    |                              | Dimensions [mm]  | Finish | PU         | Order number   |
|----------------|------------------------------|------------------|--------|------------|----------------|
| Drip rail 247g | without accessories          | 44.5 x 18 x 5520 | EV1    | 55.2 m     | 6-34828-56-0-1 |
|                |                              | 44.5 x 18 x 1840 | EV1    | 30 pc      | 6-34828-18-0-1 |
|                | with end caps and brush seal | 44.5 x 18 x 1100 | EV1    | Set of 25* | 6-34828-00-0-1 |
| End cap 242    | for drip rail 247g           | -                | grey   | 100 pairs  | 9-46028-00-0-1 |
| Drip rail 247b | without accessories          | 44.5 x 18 x 5520 | brown  | 55.2 m     | 6-34828-56-0-5 |
|                |                              | 44.5 x 18 x 1840 | brown  | 30 pc      | 6-34828-18-0-5 |
|                | with end caps and brush seal | 44.5 x 18 x 1100 | brown  | Set of 25* | 6-34828-00-0-5 |
| End cap 242    | for drip rail 247b           | -                | brown  | 100 pairs  | 9-46028-00-0-5 |
| Drip rail 247w | without accessories          | 44.5 x 18 x 5520 | white  | 55.2 m     | 6-34828-56-0-7 |
|                |                              | 44.5 x 18 x 1840 | white  | 30 pc      | 6-34828-18-0-7 |
|                | with end caps and brush seal | 44.5 x 18 x 1100 | white  | Set of 25* | 6-34828-00-0-7 |
| End cap 242    | for drip rail 247w           | -                | white  | 100 pairs  | 9-46028-00-0-7 |

\* Contains: 25 x 1100 mm drip rail, 25 pairs of end caps, 25 x 1100 mm brush seals

### Lip and brush seal for drip rail

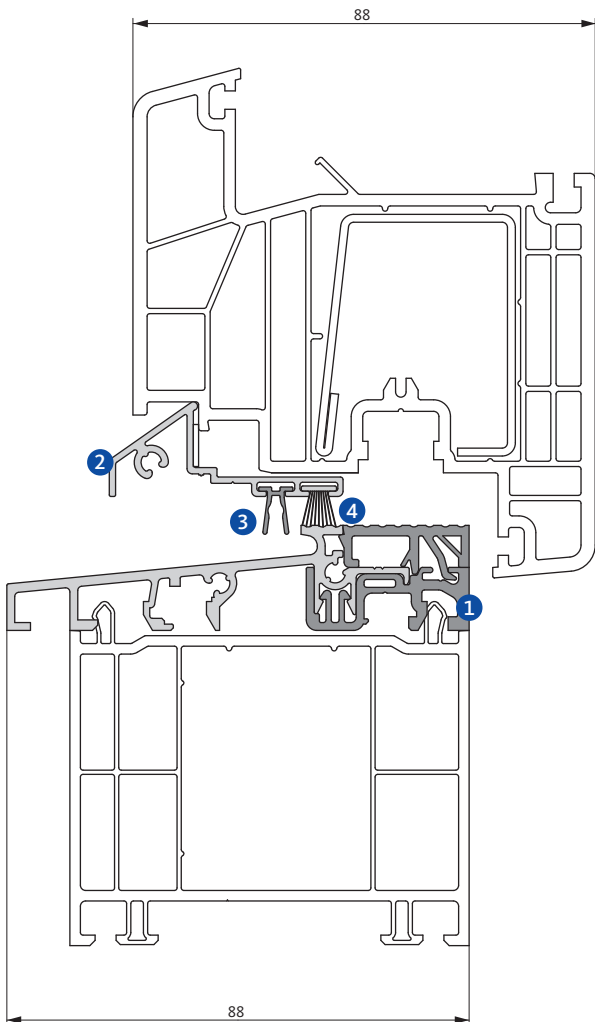
| Designation |            | Dimensions [mm] | Finish | PU     | Order number   |
|-------------|------------|-----------------|--------|--------|----------------|
| 3           | Lip seal   | 6 x 9 x 1100    | grey   | 100 pc | P-01922-01-0-1 |
| 4           | Brush seal | 10              | grey   | 150 m  | H-01159-00-0-1 |

### Groove packer for counter-milled groove

| Designation             |  | Dimensions [mm] | Finish   | PU    | Order number   |
|-------------------------|--|-----------------|----------|-------|----------------|
| Groove packer F 28 - 35 |  | 28 x 35 x 1250  | coloured | 20 pc | H-12028-35-0-0 |
| Groove packer F 30 - 35 |  | 30 x 35 x 1250  | coloured | 20 pc | H-12030-35-0-0 |

# Profine Trocal 88+

GU system threshold 274 V



## Product characteristics

- For use at house entrance and balcony-doors
- GU strikers are installed flush with the tread surface
- Convenient threshold-to-frame / threshold-to-mullion connection
- Bottom connection by means of system-specific extension profiles
- Thermal break with PVC profiles
- No condensation on the inside
- Good thermal insulation

## Matching threshold extensions by Profine Trocal

- 76700
- 76701
- 76702
- 76703



① GU system threshold 274 V

| Designation  |                              | Dimensions [mm] | Finish     | PU   | Order number   |
|--------------|------------------------------|-----------------|------------|------|----------------|
| GU SBS 274 V | without roller shutter guide | 88 x 20 x 6000  | EV1 / grey | 30 m | 6-38967-60-0-1 |

Threshold-to-frame connector

| Designation |                       | Dimensions [mm] | Finish | PU       | Order number   |
|-------------|-----------------------|-----------------|--------|----------|----------------|
| 8101        | for Trocal 88+ 810100 | 88 x 73         | grey   | 50 pairs | 6-35409-01-0H1 |
| 8101-1      |                       |                 |        | 10 pairs | 6-35409-01-0-1 |
| 8102        | for Trocal 88+ 810200 | 88 x 94         | grey   | 50 pairs | 6-35409-02-0H1 |
| 8102-1      |                       |                 |        | 10 pairs | 6-35409-02-0-1 |
| 8103        | for Trocal 88+ 810300 | 88 x 78         | grey   | 50 pairs | 6-35409-06-0H1 |
| 8103-1      |                       |                 |        | 10 pairs | 6-35409-06-0-1 |

Threshold-to-mullion connector

| Designation |                   | Dimensions [mm] | Finish | PU    | Order number   |
|-------------|-------------------|-----------------|--------|-------|----------------|
| 8301        | for Trocal 830100 | 88 x 98         | grey   | 25 pc | 6-35410-02-0R1 |
| 8301-1      |                   |                 |        | 10 pc | 6-35410-02-0-1 |

② Drip rail 247 + end cap 242

| Designation    |                              | Dimensions [mm]  | Finish | PU         | Order number   |
|----------------|------------------------------|------------------|--------|------------|----------------|
| Drip rail 247g | without accessories          | 44.5 x 18 x 5520 | EV1    | 55.2 m     | 6-34828-56-0-1 |
|                |                              | 44.5 x 18 x 1840 | EV1    | 30 pc      | 6-34828-18-0-1 |
|                | with end caps and brush seal | 44.5 x 18 x 1100 | EV1    | Set of 25* | 6-34828-00-0-1 |
| End cap 242    | for drip rail 247g           | -                | grey   | 100 pairs  | 9-46028-00-0-1 |
| Drip rail 247b | without accessories          | 44.5 x 18 x 5520 | brown  | 55.2 m     | 6-34828-56-0-5 |
|                |                              | 44.5 x 18 x 1840 | brown  | 30 pc      | 6-34828-18-0-5 |
|                | with end caps and brush seal | 44.5 x 18 x 1100 | brown  | Set of 25* | 6-34828-00-0-5 |
| End cap 242    | for drip rail 247b           | -                | brown  | 100 pairs  | 9-46028-00-0-5 |
| Drip rail 247w | without accessories          | 44.5 x 18 x 5520 | white  | 55.2 m     | 6-34828-56-0-7 |
|                |                              | 44.5 x 18 x 1840 | white  | 30 pc      | 6-34828-18-0-7 |
|                | with end caps and brush seal | 44.5 x 18 x 1100 | white  | Set of 25* | 6-34828-00-0-7 |
| End cap 242    | for drip rail 247w           | -                | white  | 100 pairs  | 9-46028-00-0-7 |

\* Contains: 25 x 1100 mm drip rail, 25 pairs of end caps, 25 x 1100 mm brush seals

Lip and brush seal for drip rail

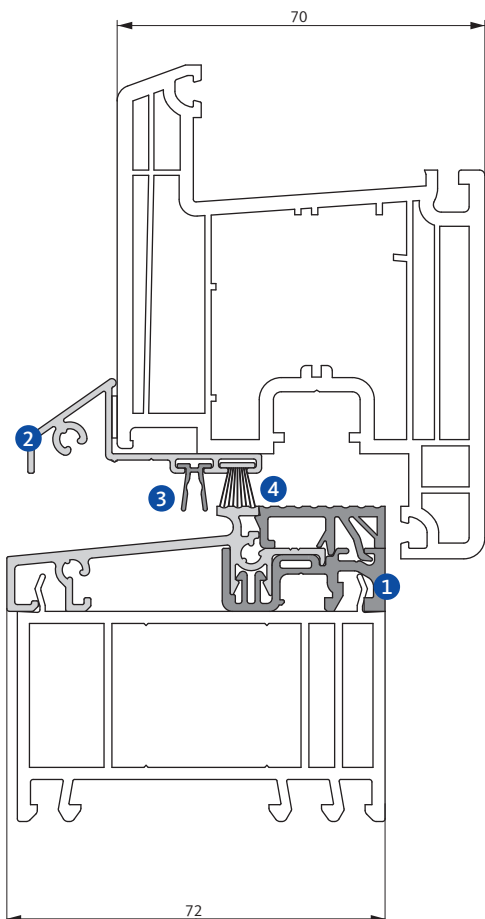
| Designation |            | Dimensions [mm] | Finish | PU     | Order number   |
|-------------|------------|-----------------|--------|--------|----------------|
| ③           | Lip seal   | 6 x 9 x 1100    | grey   | 100 pc | P-01922-01-0-1 |
| ④           | Brush seal | 10              | grey   | 150 m  | H-01159-00-0-1 |

Groove packer for counter-milled groove

| Designation           |  | Dimensions [mm] | Finish   | PU    | Order number   |
|-----------------------|--|-----------------|----------|-------|----------------|
| Groove packer F 28-35 |  | 28 x 35 x 1250  | coloured | 20 pc | H-12028-35-0-0 |
| Groove packer F 30-35 |  | 30 x 35 x 1250  | coloured | 20 pc | H-12030-35-0-0 |

# Rehau 70

## GU system threshold 217 V



### Product characteristics

- For use at house entrance and balcony-doors
- GU strikers are installed flush with the tread surface
- Convenient threshold-to-frame / threshold-to-mullion connection
- Bottom connection by means of system-specific extension profiles
- Thermal break with PVC profiles
- No condensation on the inside
- Good thermal insulation

### Matching threshold extensions by Rehau

- 550130
- 561113
- 561303
- 561293
- 550210
- 550140



### 1 GU system threshold 217 V

| Designation  |                              | Dimensions [mm] | Finish     | PU   | Order number   |
|--------------|------------------------------|-----------------|------------|------|----------------|
| GU SBS 217 V | without roller shutter guide | 72 x 20 x 6000  | EV1 / grey | 30 m | 6-37998-60-0-1 |

### Threshold-to-frame connector

| Designation |                                    | Dimensions [mm] | Finish | Order number   |                |
|-------------|------------------------------------|-----------------|--------|----------------|----------------|
|             |                                    |                 |        | PU = 50 pairs  | PU = 10 pairs  |
| 4010        | for Rehau 550000 / 550710          | 70 x 68         | grey   | 6-34842-01-0H1 | 6-34842-01-0-1 |
| 4011        | for Rehau 550010 / 550420 / 550730 | 70 x 76         | grey   | 6-34842-02-0H1 | 6-34842-02-0-1 |
| 4012        | for Rehau 550540                   | 70 x 98         | grey   | 6-34842-03-0H1 | 6-34842-03-0-1 |
| 4013        | for Rehau 550003                   | 70 x 64         | grey   | 6-34842-04-0H1 | 6-34842-04-0-1 |

### Threshold-to-mullion connector

| Designation |                  | Dimensions [mm] | Finish | Order number   |                |
|-------------|------------------|-----------------|--------|----------------|----------------|
|             |                  |                 |        | PU = 25 pcs    | PU = 10 pcs    |
| 4015        | for Rehau 550750 | 70 x 86         | grey   | 6-34843-01-0R1 | 6-34843-01-0-1 |
| 4016        | for Rehau 550780 | 70 x 120        | grey   | 6-34843-02-0R1 | 6-34843-02-0-1 |

### Drip rail 242 + end cap 242

| Designation    |                     | Dimensions [mm]  | Finish | PU        | Order number   |
|----------------|---------------------|------------------|--------|-----------|----------------|
| Drip rail 242g | without accessories | 44.5 x 18 x 6000 | EV1    | 60 m      | 6-35266-60-0-1 |
|                |                     | 44.5 x 18 x 2000 | EV1    | 60 m      | 6-35266-20-0-1 |
| End cap 242    | for drip rail 242g  | -                | grey   | 100 pairs | 9-46028-00-0-1 |
| Drip rail 242b | without accessories | 44.5 x 18 x 6000 | brown  | 60 m      | 6-35266-60-0-5 |
|                |                     | 44.5 x 18 x 2000 | brown  | 60 m      | 6-35266-20-0-5 |
| End cap 242    | for drip rail 242b  | -                | brown  | 100 pairs | 9-46028-00-0-5 |
| Drip rail 242w | without accessories | 44.5 x 18 x 6000 | white  | 60 m      | 6-35266-60-0-7 |
|                |                     | 44.5 x 18 x 2000 | white  | 60 m      | 6-35266-20-0-7 |
| End cap 242    | for drip rail 242w  | -                | white  | 100 pairs | 9-46028-00-0-7 |

### Lip and brush seal for drip rail

| Designation |            | Dimensions [mm] | Finish | PU     | Order number   |
|-------------|------------|-----------------|--------|--------|----------------|
| 3           | Lip seal   | 6 x 9 x 1100    | grey   | 100 pc | P-01922-01-0-1 |
| 4           | Brush seal | 10              | grey   | 150 m  | H-01159-00-0-1 |

### Dummy mullion adapter 252

| Designation               |                   | Dimensions [mm] | Finish | PU    | Order number   |
|---------------------------|-------------------|-----------------|--------|-------|----------------|
| Dummy mullion adapter 252 | for drip rail 242 | 83 x 28         | grey   | 25 pc | 9-45549-00-0-1 |

### Groove packer for counter-milled groove

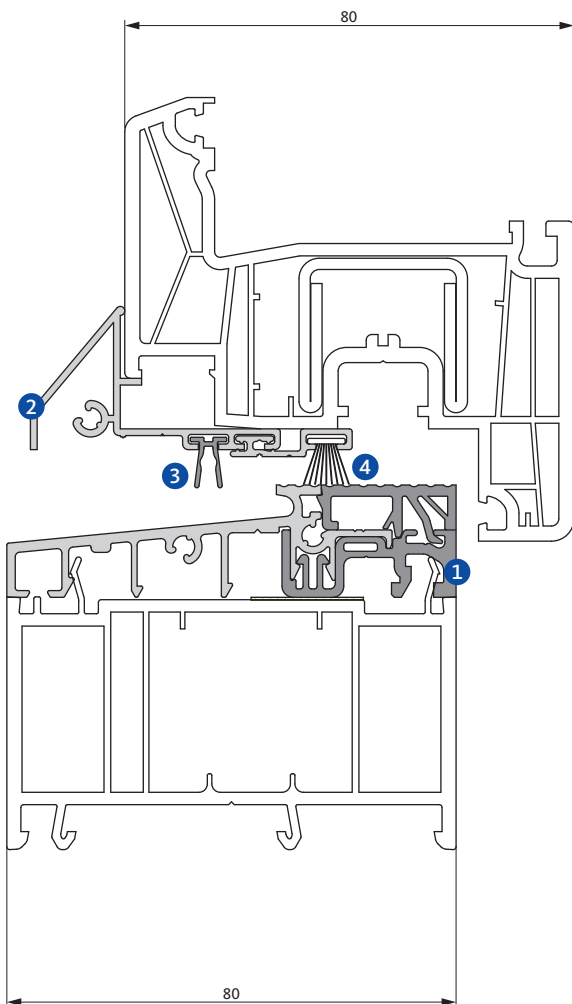
| Designation             |  | Dimensions [mm] | Finish   | PU    | Order number   |
|-------------------------|--|-----------------|----------|-------|----------------|
| Groove packer F 28 - 35 |  | 28 x 35 x 1250  | coloured | 20 pc | H-12028-35-0-0 |

# Rehau Synego 80

GU system threshold 277 V



**GU**



## Product characteristics

- For use at house entrance and balcony-doors
- GU strikers are installed flush with the tread surface
- Convenient threshold-to-frame / threshold-to-mullion connection
- Bottom connection by means of system-specific extension profiles
- Thermal break with PVC profiles
- No condensation on the inside
- Good thermal insulation

## Matching threshold extensions by Rehau

- 538025, 538045, 538065, 538105, 538190
- 561001, 561003
- 561273, 561283
- 561790

## Installation drawing

- 0-48949



## 1 GU system threshold 277 V

| Designation  |                              | Dimensions [mm] | Finish     | PU   | Order number   |
|--------------|------------------------------|-----------------|------------|------|----------------|
| GU SBS 277 V | without roller shutter guide | 80 x 20 x 6000  | EV1 / grey | 30 m | 6-39431-60-0-1 |

## Threshold-to-frame connector

| Designation |                                | Dimensions [mm] | Finish | PU       | Order number   |
|-------------|--------------------------------|-----------------|--------|----------|----------------|
| 4030        | for Rehau Synego 537005/537105 | 80 x 72         | grey   | 50 pairs | 6-39474-01-0H1 |
| 4030-1      |                                |                 |        | 10 pairs | 6-39474-01-0-1 |
| 4031        | for Rehau Synego 537015/537115 | 80 x 82         | grey   | 50 pairs | 6-39474-02-0H1 |
| 4031-1      |                                |                 |        | 10 pairs | 6-39474-02-0-1 |

## Threshold-to-mullion connector

| Designation |                                | Dimensions [mm] | Finish | PU    | Order number   |
|-------------|--------------------------------|-----------------|--------|-------|----------------|
| 4036        | for Rehau Synego 537405/537505 | 80 x 96         | grey   | 25 pc | 6-39473-00-0R1 |
| 4036-1      |                                |                 |        | 10 pc | 6-39473-00-0-1 |
| 4037        | for Rehau Synego 537415/537515 | 80 x 124        | grey   | 25 pc | 6-39473-01-0R1 |
| 4037-1      |                                |                 |        | 10 pc | 6-39473-01-0-1 |

## 2 Drip rail 261 + end cap 244

| Designation    |                     | Dimensions [mm]    | Finish | PU        | Order number   |
|----------------|---------------------|--------------------|--------|-----------|----------------|
| Drip rail 261g | without accessories | 44.5 x 25.5 x 6000 | EV1    | 60 m      | 9-46928-60-0-1 |
| End cap 244    | for drip rail 261g  | -                  | grey   | 100 pairs | 9-46029-00-0-1 |
| Drip rail 261b | without accessories | 44.5 x 25.5 x 6000 | brown  | 60 m      | 9-46928-60-0-5 |
| End cap 244    | for drip rail 261b  | -                  | brown  | 100 pairs | 9-46029-00-0-5 |
| Drip rail 261w | without accessories | 44.5 x 25.5 x 6000 | white  | 60 m      | 9-46928-60-0-7 |
| End cap 244    | for drip rail 261w  | -                  | white  | 100 pairs | 9-46029-00-0-7 |

## Lip and brush seal for drip rail

| Designation |            | Dimensions [mm] | Finish | PU     | Order number   |
|-------------|------------|-----------------|--------|--------|----------------|
| 3           | Lip seal   | 6 x 9 x 1100    | grey   | 100 pc | P-01922-01-0-1 |
| 4           | Brush seal | 10              | grey   | 150 m  | H-01159-00-0-1 |

## 5 Drip rail extension

| Designation         |                   | Dimensions [mm] | Finish | PU   | Order number   |
|---------------------|-------------------|-----------------|--------|------|----------------|
| Drip rail extension | for drip rail 261 | 22 x 5 x 2000   | EV1    | 30 m | P-02008-20-0-1 |

## Levelling profile + end cap

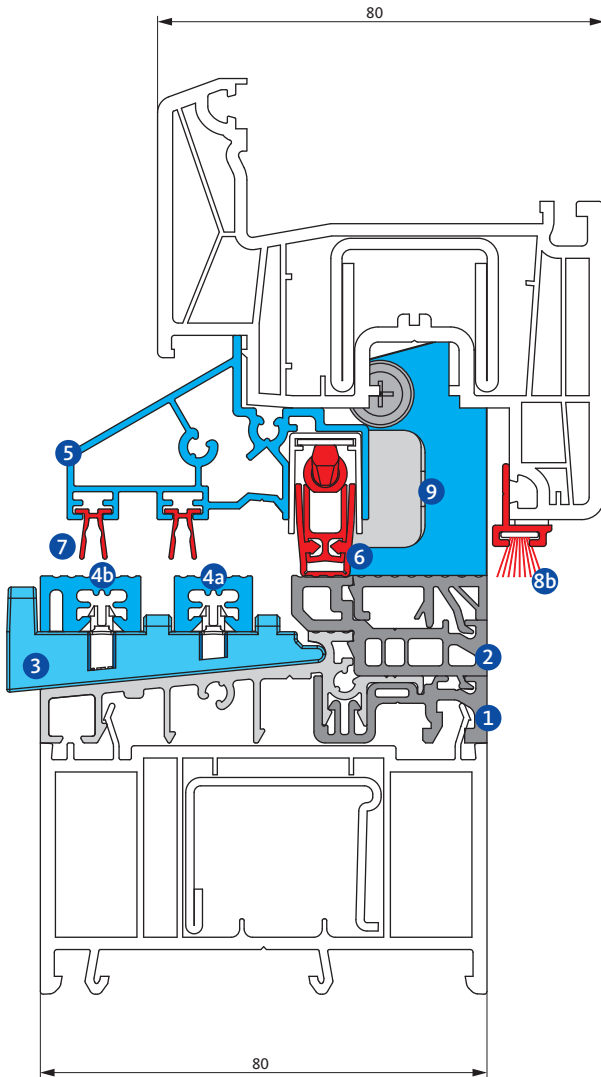
| Designation             |                            | Dimensions [mm] | Finish | PU        | Order number   |
|-------------------------|----------------------------|-----------------|--------|-----------|----------------|
| HAP 8 levelling profile |                            | 29 x 12 x 2000  | EV1    | 30 m      | P-01968-20-0-1 |
| End cap                 | for HAP8 levelling profile | -               | black  | 100 pairs | 9-47777-01-0-6 |

## SBS rebate seal

| Designation     |  | Dimensions [mm] | Finish | PU       | Order number   |
|-----------------|--|-----------------|--------|----------|----------------|
| SBS rebate seal |  | 3.6             | grey   | 50 pairs | 6-39258-36-0-1 |

# Rehau Synego 80

GU system threshold 277 V bb



## Product characteristics

- For use at house entrance and balcony-doors
- A few additional components turn the GU system threshold into a floor-flush threshold system
- Available with optional patented additional lock
  - tested security also for 2-sashed elements up to resistance class RC2 according to EN 1627
  - for secure central locking in combination with commercially-available Tilt&Turn hardware
  - Tilt-First version available as option
  - strikers are installed flush with the tread surface
- Simple and easy installation without any additional milling work on the element
- Tightness against driving rain up to class 9A (also with double-leaf doors)
- Good thermal insulation
- Unmodified structural connections in the area of the threshold

## Matching threshold extensions by Rehau

- 538025, 538045, 538065, 538105, 538190
- 561001, 561003
- 561273, 561283
- 561790

## Installation drawing

- 0-48950

Suitable for barrier-free construction in compliance with DIN 18040







## 1 GU system threshold 277 V

| Designation  | Dimensions [mm]              | Finish         | PU         | Order number |                |
|--------------|------------------------------|----------------|------------|--------------|----------------|
| GU SBS 277 V | without roller shutter guide | 80 x 20 x 6000 | EV1 / grey | 30 m         | 6-39431-60-0-1 |

## 2 SBS bb levelling profile

| Designation            | Length [mm] | Finish | PU     | Order number   |
|------------------------|-------------|--------|--------|----------------|
| ZAP1 levelling profile | 1200        | grey   | 100 pc | P-02174-12-0-1 |
|                        | 2000        | grey   | 40 m   | P-02174-20-0-1 |
|                        | 6000        | grey   | 120 m  | P-02174-60-0-1 |

## 3 SBS bb supporting bridge

| Designation            | Dimensions [mm] | Finish | PU    | Order number   |
|------------------------|-----------------|--------|-------|----------------|
| Z102 supporting bridge | -               | grey   | 50 pc | 6-39708-02-0-1 |

## SBS bb support profiles

| Designation                | Length [mm] | Finish     | PU     | Order number   |
|----------------------------|-------------|------------|--------|----------------|
| 4a Z114 support profile 14 | 1200        | EV1 / grey | 100 pc | P-02175-12-0-1 |
|                            | 2000        | EV1 / grey | 36 pc  | P-02175-20-0-1 |
|                            | 6000        | EV1 / grey | 120 m  | P-02175-60-0-1 |
| 4b Z118 support profile 18 | 1200        | EV1 / grey | 80 pc  | P-02176-12-0-1 |
|                            | 2000        | EV1 / grey | 39 pc  | P-02176-20-0-1 |
|                            | 6000        | EV1 / grey | 96 m   | P-02176-60-0-1 |

## Threshold-to-frame connector

| Designation | Dimensions [mm]                | Finish  | PU   | Order number |                |
|-------------|--------------------------------|---------|------|--------------|----------------|
| 4030        | for Rehau Synego 537005/537105 | 80 x 72 | grey | 50 pairs     | 6-39474-01-0H1 |
| 4030-1      |                                |         |      | 10 pairs     | 6-39474-01-0-1 |
| 4031        | for Rehau Synego 537015/537115 | 80 x 82 | grey | 50 pairs     | 6-39474-02-0H1 |
| 4031-1      |                                |         |      | 10 pairs     | 6-39474-02-0-1 |

## Threshold-to-mullion connector

| Designation | Dimensions [mm]                | Finish   | PU   | Order number |                |
|-------------|--------------------------------|----------|------|--------------|----------------|
| 4036        | for Rehau Synego 537405/537505 | 80 x 96  | grey | 25 pc        | 6-39743-00-0R1 |
| 4036-1      |                                |          |      | 10 pc        | 6-39473-00-0-1 |
| 4037        | for Rehau Synego 537415/537515 | 80 x 124 | grey | 25 pc        | 6-39473-01-0R1 |
| 4037-1      |                                |          |      | 10 pc        | 6-39473-01-0-1 |

# Rehau Synego 80

## GU system threshold 277 V bb



### 5 SBS bb drip rail + end cap

| Designation      |                     | Length [mm] | Finish | PU        | Order number   |
|------------------|---------------------|-------------|--------|-----------|----------------|
| Z208 drip rail   | without accessories | 1200        | EV1    | 30 pc     | P-02246-12-0-1 |
|                  |                     | 6000        | EV1    | 36 m      | P-02246-60-0-1 |
| ZE208 end cap WS | for Z208 drip rail  | -           | grey   | 100 pairs | 9-51822-01-0-1 |

### 6 SBS bb lowerable gasket incl. run-up stop

| Designation            | SRW [mm]  | Dimensions [mm] | Finish     | PU   | Order number   |
|------------------------|-----------|-----------------|------------|------|----------------|
| ZAD3 lowerable gasket  | 220-335   | 18 x 13 x 335   | EV1 / grey | 5 pc | H-01868-03-0-0 |
| ZAD4 lowerable gasket  | 336-460   | 18 x 13 x 460   | EV1 / grey | 5 pc | H-01868-04-0-0 |
| ZAD5 lowerable gasket  | 461-585   | 18 x 13 x 585   | EV1 / grey | 5 pc | H-01868-05-0-0 |
| ZAD7 lowerable gasket  | 586-710   | 18 x 13 x 710   | EV1 / grey | 5 pc | H-01868-07-0-0 |
| ZAD8 lowerable gasket  | 711-835   | 18 x 13 x 835   | EV1 / grey | 5 pc | H-01868-08-0-0 |
| ZAD9 lowerable gasket  | 836-960   | 18 x 13 x 960   | EV1 / grey | 5 pc | H-01868-09-0-0 |
| ZAD10 lowerable gasket | 961-1085  | 18 x 13 x 1085  | EV1 / grey | 5 pc | H-01868-10-0-0 |
| ZAD12 lowerable gasket | 1086-1210 | 18 x 13 x 1210  | EV1 / grey | 5 pc | H-01868-12-0-0 |

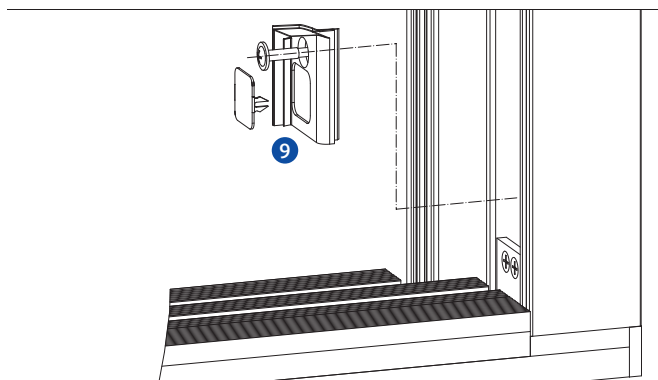
### Lip and brush seals

| Designation         |   | Dimensions [mm]  | Finish | PU     | Order number   |
|---------------------|---|------------------|--------|--------|----------------|
| <b>7</b>            | Lip seal                                    | 6 x 9 x 1100     | grey   | 100 pc | P-01922-01-0-1 |
| Not illustrated     | Brush seal, short, self-adhesive            | 12 x 8 x 27      | grey   | 100 pc | 9-49373-01-0-1 |
| Not illustrated     | Brush seal, self-adhesive                   | 12 x 10 x 1200   | grey   | 100 pc | H-01884-12-0-1 |
| Alternative for 8a: |   |                  |        |        |                |
| <b>8b</b>           | SBS bb Z-17315 brush seal 4P                | 6.7 x 8 x 1200   | grey   | 100 pc | 9-51903-12-0-0 |
|                     | SBS bb Z290 mounting profile, self-adhesive | 10.6 x 15 x 1200 | grey   | 100 pc | 6-40502-12-0-1 |

### 9 SBS bb rebate seal

| Designation                          | Dimensions [mm] | Finish | PU        | Order number   |
|--------------------------------------|-----------------|--------|-----------|----------------|
| Z405 rebate seal, incl. fixing screw | -               | grey   | 100 pairs | 6-39768-40-0-1 |

Rebate seal





## Accessories for 2-sash elements

### **11** Dummy mullion sealing element with SBS bb dummy mullion adapter

| Designation  | Finish | PU   | Order number   |
|--|--------|------|----------------|
| ZS08 dummy mullion sealing element with dummy mullion adapter  | grey   | 5 pc | K-20094-08-0-1 |
| Contains: 1 x dummy mullion sealing element, 1 x dummy mullion adapter, 1 x sealing lip for supporting bridge, 3 x fixing screws |        |      |                |

## Additional accessories

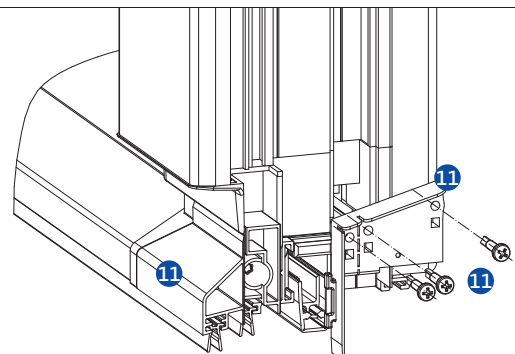
### Support plate

| Designation                          | Finish | PU     | Order number   |
|--------------------------------------|--------|--------|----------------|
| Support plate (sash hardware groove) | grey   | 100 pc | 9-35697-00-0-1 |

### Additional locks / strikers

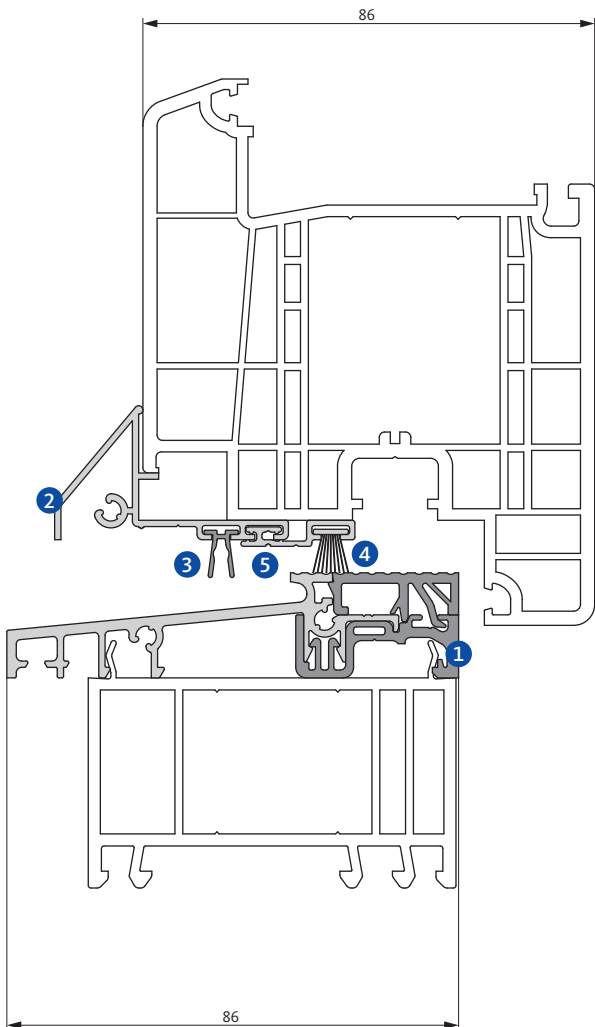
| Designation  |            |             | Finish     | PU   | Order number   |                |
|--|------------|-------------|------------|------|----------------|----------------|
|  |            |             |            |      | DIN LH         | DIN RH         |
| Additional lock SBS bb                                       | Tilt&Turn  | 2 deadbolts | galvanised | 1 pc | 6-39650-01-0-1 |                |
| Additional lock TF SBS bb                                    | Tilt-First | 1 deadbolt  | galvanised | 1 pc | 6-39650-02-L-1 | 6-39650-02-R-1 |
| Additional lock TU-ON SBS bb for ventilation restrictor-stay |            | 1 deadbolt  | galvanised | 1 pc | 6-39650-03-L-1 | 6-39650-03-R-1 |
| SBS bb striker   |            |             | galvanised | 1 pc | 9-51019-12-0-1 |                |
|  |            |             | galvanised | 1 pc | 9-51019-13-0-1 |                |
| Drilling jig for additional locks                            |            |             |            | 1 pc | 6-39804-01-0-1 |                |

### Dummy mullion sealing element with dummy mullion adapter



# Rehau Geneo

GU system threshold 292 V / 239 V



## Product characteristics

- For use at house entrance and balcony-doors
- GU strikers are installed flush with the tread surface
- Convenient threshold-to-frame / threshold-to-mullion connection
- Bottom connection by means of system-specific extension profiles
- Thermal break with PVC profiles
- No condensation on the inside
- Good thermal insulation

## Matching threshold extensions by Rehau

- |          |           |
|----------|-----------|
| ■ 550130 | ■ 1533005 |
| ■ 561113 | ■ 1533015 |
| ■ 561303 | ■ 1533125 |
| ■ 561293 | ■ 1533165 |
| ■ 550210 | ■ 533090  |
| ■ 550140 |           |

## Installation drawing

- 0-45855



### 1 GU system threshold 292 V / 239 V

| Designation  |                              | Dimensions [mm] | Finish     | PU   | Order number   |
|--------------|------------------------------|-----------------|------------|------|----------------|
| GU SBS 292 V | without roller shutter guide | 86 x 20 x 6000  | EV1 / grey | 30 m | 6-37571-60-0-1 |
| GU SBS 239 V | with roller shutter guide    | 88 x 20 x 6000  | EV1 / grey | 30 m | 6-37570-60-0-1 |

### Threshold-to-frame connector

| Designation |                        | Dimensions [mm] | Finish | Order number   |                |
|-------------|------------------------|-----------------|--------|----------------|----------------|
|             |                        |                 |        | PU = 50 pairs  | PU = 10 pairs  |
| 4020        | for Rehau Geneo 532015 | 86 x 72         | grey   | 6-35423-06-0H1 | 6-35423-06-0-1 |
| 4021        | for Rehau Geneo 532305 | 86 x 86         | grey   | 6-35423-07-0H1 | 6-35423-07-0-1 |
| 4024        | for Rehau Geneo 532125 | 86 x 109        | grey   | 6-37361-01-0H1 | 6-37361-01-0-1 |

### Threshold-to-mullion connector

| Designation |                        | Dimensions [mm] | Finish | Order number   |                |
|-------------|------------------------|-----------------|--------|----------------|----------------|
|             |                        |                 |        | PU = 25 pcs    | PU = 10 pcs    |
| 4025        | for Rehau Geneo 532055 | 86 x 98         | grey   | 6-35424-03-0R1 | 6-35424-03-0-1 |
| 4027        | for Rehau Geneo 532345 | 86 x 126        | grey   | 6-35424-08-0R1 | 6-35424-08-0-1 |
| 4028        | for Rehau Geneo 532605 | 86 x 112        | grey   | 6-35424-09-0R1 | 6-35424-09-0-1 |

### 2 Drip rail 261 + end cap 244

| Designation    |                     | Dimensions [mm]    | Finish | PU        | Order number   |
|----------------|---------------------|--------------------|--------|-----------|----------------|
| Drip rail 261g | without accessories | 44.5 x 25.5 x 6000 | EV1    | 60 m      | 9-46928-60-0-1 |
|                |                     | 44.5 x 25.5 x 2000 | EV1    | 60 m      | 9-46928-20-0-1 |
| End cap 244    | for drip rail 261g  | -                  | grey   | 100 pairs | 9-46029-00-0-1 |
| Drip rail 261b | without accessories | 44.5 x 25.5 x 6000 | brown  | 60 m      | 9-46928-60-0-5 |
|                |                     | 44.5 x 25.5 x 2000 | brown  | 60 m      | 9-46928-20-0-5 |
| End cap 244    | for drip rail 261b  | -                  | brown  | 100 pairs | 9-46029-00-0-5 |
| Drip rail 261w | without accessories | 44.5 x 25.5 x 6000 | white  | 60 m      | 9-46928-60-0-7 |
|                |                     | 44.5 x 25.5 x 2000 | white  | 60 m      | 9-46928-20-0-7 |
| End cap 244    | for drip rail 261w  | -                  | white  | 100 pairs | 9-46029-00-0-7 |

### Lip and brush seal for drip rail

| Designation |            | Dimensions [mm] | Finish | PU     | Order number   |
|-------------|------------|-----------------|--------|--------|----------------|
| 3           | Lip seal   | 6 x 9 x 1100    | grey   | 100 pc | P-01922-01-0-1 |
| 4           | Brush seal | 10              | grey   | 150 m  | H-01159-00-0-1 |

### 5 Drip rail extension

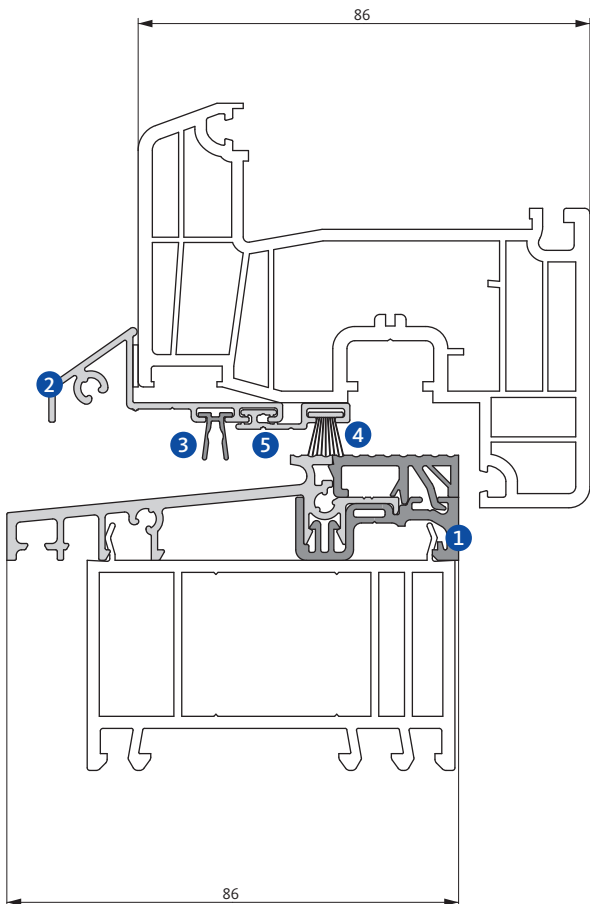
| Designation         |                   | Dimensions [mm] | Finish | PU   | Order number   |
|---------------------|-------------------|-----------------|--------|------|----------------|
| Drip rail extension | for drip rail 261 | 22 x 5 x 2000   | EV1    | 30 m | P-02008-20-0-1 |

### Groove packer for counter-milled groove

| Designation             |  | Dimensions [mm] | Finish   | PU    | Order number   |
|-------------------------|--|-----------------|----------|-------|----------------|
| Groove packer F 28 - 35 |  | 28 x 35 x 1250  | coloured | 20 pc | H-12028-35-0-0 |
| Groove packer F 35 - 47 |  | 35 x 47 x 1250  | coloured | 15 pc | H-12035-47-0-0 |

# Rehau Profil Euro 86

GU system threshold 292 V / 239 V



## Product characteristics

- For use at house entrance and balcony-doors
- GU strikers are installed flush with the tread surface
- Convenient threshold-to-frame / threshold-to-mullion connection
- Bottom connection by means of system-specific extension profiles
- Thermal break with PVC profiles
- No condensation on the inside
- Good thermal insulation

## Matching threshold extensions by Rehau

- |          |           |
|----------|-----------|
| ■ 550130 | ■ 550140  |
| ■ 561113 | ■ 1533005 |
| ■ 561303 | ■ 1533015 |
| ■ 561293 | ■ 1533123 |
| ■ 550210 | ■ 1533165 |

## Installation drawing

- 0-45917



### 1 GU system threshold 292 V / 239 V

| Designation  |                              | Dimensions [mm] | Finish     | PU   | Order number   |
|--------------|------------------------------|-----------------|------------|------|----------------|
| GU SBS 292 V | without roller shutter guide | 86 x 20 x 6000  | EV1 / grey | 30 m | 6-37571-60-0-1 |
| GU SBS 239 V | without roller shutter guide | 88 x 20 x 6000  | EV1 / grey | 30 m | 6-37570-60-0-1 |

### Threshold-to-frame connector

| Designation |                       | Dimensions [mm] | Finish | Order number   |                |
|-------------|-----------------------|-----------------|--------|----------------|----------------|
|             |                       |                 |        | PU = 50 pairs  | PU = 10 pairs  |
| 4022        | for Rehau Euro 532505 | 86 x 66         | grey   | 6-35423-09-0H1 | 6-35423-09-0-1 |
| 4023        | for Rehau Euro 532515 | 86 x 80         | grey   | 6-35423-10-0H1 | 6-35423-10-0-1 |

### Threshold-to-mullion connector

| Designation |                       | Dimensions [mm] | Finish | Order number   |                |
|-------------|-----------------------|-----------------|--------|----------------|----------------|
|             |                       |                 |        | PU = 25 pcs    | PU = 10 pcs    |
| 4026        | for Rehau Euro 532575 | 86 x 86         | grey   | 6-35424-06-0R1 | 6-35424-06-0-1 |

### 2 Drip rail 242 + end cap 242

| Designation    |                     | Dimensions [mm]  | Finish | PU        | Order number   |
|----------------|---------------------|------------------|--------|-----------|----------------|
| Drip rail 242g | without accessories | 44.5 x 18 x 6000 | EV1    | 60 m      | 6-35266-60-0-1 |
|                |                     | 44.5 x 18 x 2000 | EV1    | 60 m      | 6-35266-20-0-1 |
| End cap 242    | for drip rail 242g  | -                | grey   | 100 pairs | 9-45564-00-0-1 |
| Drip rail 242b | without accessories | 44.5 x 18 x 6000 | brown  | 60 m      | 6-35266-60-0-5 |
|                |                     | 44.5 x 18 x 2000 | brown  | 60 m      | 6-35266-20-0-5 |
| End cap 242    | for drip rail 242b  | -                | brown  | 100 pairs | 9-45564-00-0-5 |
| Drip rail 242w | without accessories | 44.5 x 18 x 6000 | white  | 60 m      | 6-35266-60-0-7 |
|                |                     | 44.5 x 18 x 2000 | white  | 60 m      | 6-35266-20-0-7 |
| End cap 242    | for drip rail 242w  | -                | white  | 100 pairs | 9-45564-00-0-7 |

### Lip and brush seal for drip rail

| Designation |            | Dimensions [mm] | Finish | PU     | Order number   |
|-------------|------------|-----------------|--------|--------|----------------|
| 3           | Lip seal   | 6 x 9 x 1100    | grey   | 100 pc | P-01922-01-0-1 |
| 4           | Brush seal | 10              | grey   | 150 m  | H-01159-00-0-1 |

### 5 Drip rail extension

| Designation         |                   | Dimensions [mm] | Finish | PU   | Order number   |
|---------------------|-------------------|-----------------|--------|------|----------------|
| Drip rail extension | for drip rail 242 | 22 x 5 x 2000   | EV1    | 30 m | P-02008-20-0-1 |

### Dummy mullion adapter 251

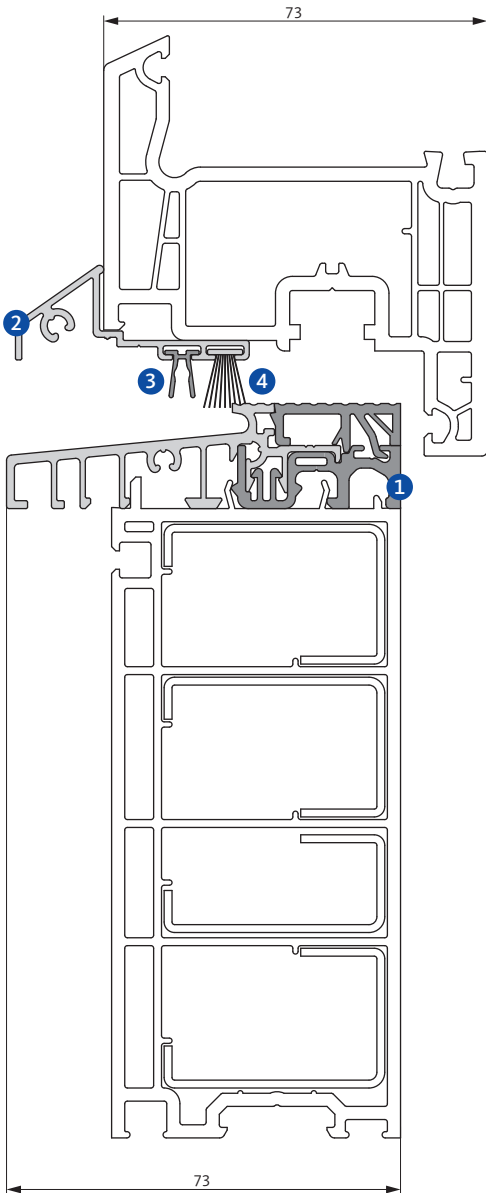
| Designation               |                   | Dimensions [mm] | Finish | PU    | Order number   |
|---------------------------|-------------------|-----------------|--------|-------|----------------|
| Dummy mullion adapter 251 | for drip rail 242 | 83 x 28 x 6.5   | grey   | 25 pc | 9-45566-00-0-1 |

### Groove packer for counter-milled groove

| Designation             |  | Dimensions [mm] | Finish   | PU    | Order number   |
|-------------------------|--|-----------------|----------|-------|----------------|
| Groove packer F 28 - 35 |  | 28 x 35 x 1250  | coloured | 20 pc | H-12028-35-0-0 |
| Groove packer F 35 - 47 |  | 35 x 47 x 1250  | coloured | 15 pc | H-12035-47-0-0 |

# Salamander bluEvolution 73

GU system threshold 275 V / 293 V



## Product characteristics

- For use at house entrance and balcony-doors
- GU strikers are installed flush with the tread surface
- Convenient threshold-to-frame / threshold-to-mullion connection
- Bottom connection by means of system-specific extension profiles
- Thermal break with PVC profiles
- No condensation on the inside
- Good thermal insulation

## Matching threshold extensions by Salamander

- NP3280
- NP3300
- NP1120
- NP1350
- NP1550

## Installation drawing

- 0-47454





### 1 GU system threshold 275 V / 293 V

| Designation  |                              | Dimensions [mm] | Finish     | PU   | Order number   |
|--------------|------------------------------|-----------------|------------|------|----------------|
| GU SBS 275 V | without roller shutter guide | 73 x 20 x 6000  | EV1 / grey | 30 m | 6-39259-60-0-1 |
| GU SBS 293 V | for roller shutter guide     | 120 x 20 x 6000 | EV1 / grey | 30 m | 6-37976-60-0-1 |

### Threshold-to-frame connector

| Designation |                      | Dimensions [mm] | Finish | PU       | Order number   |
|-------------|----------------------|-----------------|--------|----------|----------------|
| 4110        | for Brüggmann HP 122 | 73 x 68         | grey   | 50 pairs | 6-34905-11-0H1 |
| 4110-1      |                      |                 |        | 10 pairs | 6-34905-11-0-1 |
| 4111        | for Brüggmann HP 123 | 73 x 78         | grey   | 50 pairs | 6-34905-12-0H1 |
| 4111-1      |                      |                 |        | 10 pairs | 6-34905-12-0-1 |
| 4112        | for Brüggmann HP 104 | 73 x 90         | grey   | 50 pairs | 6-34905-13-0H1 |
| 4112-1      |                      |                 |        | 10 pairs | 6-34905-13-0-1 |

### Threshold-to-mullion connector

| Designation |                      | Dimensions [mm] | Finish | PU    | Order number   |
|-------------|----------------------|-----------------|--------|-------|----------------|
| 4115        | for Brüggmann HP 302 | 73 x 90         | grey   | 25 pc | 6-34906-11-0R1 |
| 4115-1      |                      |                 |        | 10 pc | 6-34906-11-0-1 |
| 4116        | for Brüggmann HP 303 | 73 x 102        | grey   | 25 pc | 6-34906-12-0R1 |
| 4116-1      |                      |                 |        | 10 pc | 6-34906-12-0-1 |
| 4117        | for Brüggmann HP 304 | 73 x 115        | grey   | 25 pc | 6-34906-13-0R1 |
| 4117-1      |                      |                 |        | 10 pc | 6-34906-13-0-1 |

### 2 Drip rail 247 + end cap 242

| Designation    |                              | Dimensions [mm]  | Finish | PU         | Order number   |
|----------------|------------------------------|------------------|--------|------------|----------------|
| Drip rail 247g | without accessories          | 44.5 x 18 x 5520 | EV1    | 55.2 m     | 6-34828-56-0-1 |
|                |                              | 44.5 x 18 x 1840 | EV1    | 30 pc      | 6-34828-18-0-1 |
|                | with end caps and brush seal | 44.5 x 18 x 1100 | EV1    | Set of 25* | 6-34828-00-0-1 |
| End cap 242    | for drip rail 247g           | -                | grey   | 100 pairs  | 9-46028-00-0-1 |
| Drip rail 247b | without accessories          | 44.5 x 18 x 5520 | brown  | 55.2 m     | 6-34828-56-0-5 |
|                |                              | 44.5 x 18 x 1840 | brown  | 30 pc      | 6-34828-18-0-5 |
|                | with end caps and brush seal | 44.5 x 18 x 1100 | brown  | Set of 25* | 6-34828-00-0-5 |
| End cap 242    | for drip rail 247b           | -                | brown  | 100 pairs  | 9-46028-00-0-5 |
| Drip rail 247w | without accessories          | 44.5 x 18 x 5520 | white  | 55.2 m     | 6-34828-56-0-7 |
|                |                              | 44.5 x 18 x 1840 | white  | 30 pc      | 6-34828-18-0-7 |
|                | with end caps and brush seal | 44.5 x 18 x 1100 | white  | Set of 25* | 6-34828-00-0-7 |
| End cap 242    | for drip rail 247w           | -                | white  | 100 pairs  | 9-46028-00-0-7 |

\* Contains: 25 x 1100 mm drip rail, 25 pairs of end caps, 25 x 1100 mm brush seals

### Lip and brush seal for drip rail

| Designation |            | Dimensions [mm] | Finish | PU     | Order number   |
|-------------|------------|-----------------|--------|--------|----------------|
| 3           | Lip seal   | 6 x 9 x 1100    | grey   | 100 pc | P-01922-01-0-1 |
| 4           | Brush seal | 10              | grey   | 150 m  | H-01159-00-0-1 |

### Groove packer for counter-milled groove

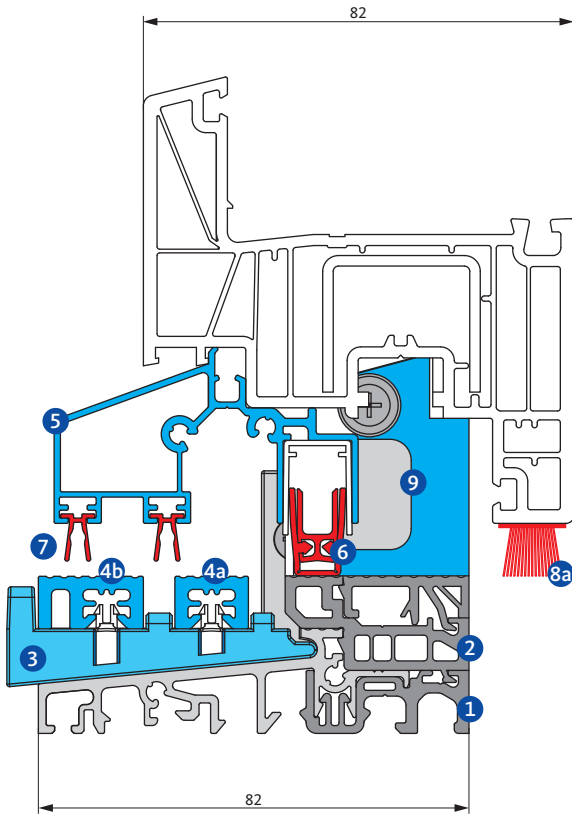
| Designation             |  | Dimensions [mm] | Finish   | PU    | Order number   |
|-------------------------|--|-----------------|----------|-------|----------------|
| Groove packer F 28 - 35 |  | 28 x 35 x 1250  | coloured | 20 pc | H-12028-35-0-0 |
| Groove packer F 38 - 40 |  | 38 x 40 x 1250  | coloured | 15 pc | H-12038-40-0-0 |

# Salamander bluEvolution 82

## Salamander bluEvo 82 bb GU system threshold



**GU**



### Product characteristics

- For use at house entrance and balcony-doors
- A few additional components turn the GU system threshold into a floor-flush threshold system
- Available with optional patented additional lock
  - tested security also for 2-sashed elements up to resistance class RC2 according to EN 1627
  - for secure central locking in combination with commercially-available Tilt&Turn hardware
  - Tilt-First version available as option
  - strikers are installed flush with the tread surface
- Simple and easy installation without any additional milling work on the element
- Tightness against driving rain up to class 9A (also with double-leaf doors)
- Good thermal insulation
- Unmodified structural connections in the area of the threshold

### Matching threshold extensions by Salamander

- NP 830
- NP 850
- NP 870

### Installation drawing

- 0-48476

Suitable for barrier-free construction in compliance with DIN 18040



# Salamander bluEvolution 82

Salamander bluEvo 82 bb GU system threshold



## 1 Salamander bluEvo 82 GU system threshold

| Designation                 | Order number                       |
|-----------------------------|------------------------------------|
| GU SBS Salamander bluEvo 82 | To be ordered from system supplier |

## 2 SBS bb levelling profile

| Designation            | Length [mm] | Finish | PU     | Order number   |
|------------------------|-------------|--------|--------|----------------|
| ZAP1 levelling profile | 1200        | grey   | 100 pc | P-02174-12-0-1 |
|                        | 2000        | grey   | 40 m   | P-02174-20-0-1 |
|                        | 6000        | grey   | 120 m  | P-02174-60-0-1 |

## 3 SBS bb supporting bridge

| Designation            | Dimensions [mm] | Finish | PU    | Order number   |
|------------------------|-----------------|--------|-------|----------------|
| Z103 supporting bridge | -               | grey   | 50 pc | 6-39708-03-0-1 |

## SBS bb support profiles

| Designation                | Length [mm] | Finish     | PU     | Order number   |
|----------------------------|-------------|------------|--------|----------------|
| 4a Z114 support profile 14 | 1200        | EV1 / grey | 100 pc | P-02175-12-0-1 |
|                            | 2000        | EV1 / grey | 36 pc  | P-02175-20-0-1 |
|                            | 6000        | EV1 / grey | 120 m  | P-02175-60-0-1 |
| 4b Z120 support profile 20 | 1200        | EV1 / grey | 80 pc  | P-02177-12-0-1 |
|                            | 2000        | EV1 / grey | 39 pc  | P-02177-20-0-1 |
|                            | 6000        | EV1 / grey | 96 m   | P-02177-60-0-1 |

## Threshold-to-frame connector

| Designation                        | Order number                            |
|------------------------------------|---|
| 3650                               | for Salamander bluEvolution HO8030/9030 |
| 4031-1                             | for Salamander bluEvolution HO8020/9020 |
| To be ordered from system supplier |   |

## Threshold-to-mullion connector

| Designation                        | Order number                                      |
|------------------------------------|---|
| 5072                               | for Salamander bluEvolution HO8310/8320/9310/9320 |
| To be ordered from system supplier |   |

# Salamander bluEvolution 82

## Salamander bluEvo 82 bb GU system threshold



### 5 SIP bE82 drip rail + end cap

| Designation      |                     | Length [mm] | Finish | PU        | Order number   |
|------------------|---------------------|-------------|--------|-----------|----------------|
| Z200 drip rail   | without accessories | 1200        | EV1    | 30 pc     | P-02182-12-0-1 |
|                  |                     | 6000        | EV1    | 36 m      | P-02182-60-0-1 |
| ZE200 end cap WS | for Z200 drip rail  | -           | grey   | 100 pairs | 9-51026-01-0-1 |

### 6 SBS bb lowerable gasket incl. run-up stop

| Designation            | SRW [mm]  | Dimensions [mm] | Finish     | PU   | Order number   |
|------------------------|-----------|-----------------|------------|------|----------------|
| ZAD3 lowerable gasket  | 220-335   | 18 x 13 x 335   | EV1 / grey | 5 pc | H-01868-03-0-0 |
| ZAD4 lowerable gasket  | 336-460   | 18 x 13 x 460   | EV1 / grey | 5 pc | H-01868-04-0-0 |
| ZAD5 lowerable gasket  | 461-585   | 18 x 13 x 585   | EV1 / grey | 5 pc | H-01868-05-0-0 |
| ZAD7 lowerable gasket  | 586-710   | 18 x 13 x 710   | EV1 / grey | 5 pc | H-01868-07-0-0 |
| ZAD8 lowerable gasket  | 711-835   | 18 x 13 x 835   | EV1 / grey | 5 pc | H-01868-08-0-0 |
| ZAD9 lowerable gasket  | 836-960   | 18 x 13 x 960   | EV1 / grey | 5 pc | H-01868-09-0-0 |
| ZAD10 lowerable gasket | 961-1085  | 18 x 13 x 1085  | EV1 / grey | 5 pc | H-01868-10-0-0 |
| ZAD12 lowerable gasket | 1086-1210 | 18 x 13 x 1210  | EV1 / grey | 5 pc | H-01868-12-0-0 |

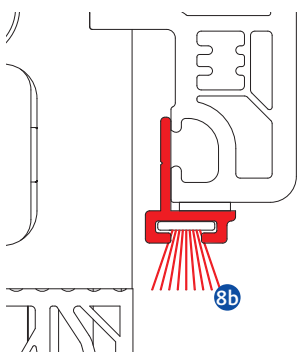
### Lip and brush seals

| Designation         |   | Dimensions [mm]  | Finish | PU     | Order number   |
|---------------------|---|------------------|--------|--------|----------------|
| 7                   | Lip seal                                    | 6 x 9 x 1100     | grey   | 100 pc | P-01922-01-0-1 |
| Not illustrated     | Brush seal, short, self-adhesive            | 12 x 8 x 27      | grey   | 100 pc | 9-49373-01-0-1 |
| 8a                  | Brush seal, self-adhesive                   | 12 x 10 x 1200   | grey   | 100 pc | H-01884-12-0-1 |
| Alternative for 8a: |   |                  |        |        |                |
| 8b                  | SBS bb Z-17315 brush seal 4P                | 6.7 x 8 x 1200   | grey   | 100 pc | 9-51903-12-0-0 |
|                     | SBS bb Z290 mounting profile, self-adhesive | 10.6 x 15 x 1200 | grey   | 100 pc | 6-40502-12-0-1 |

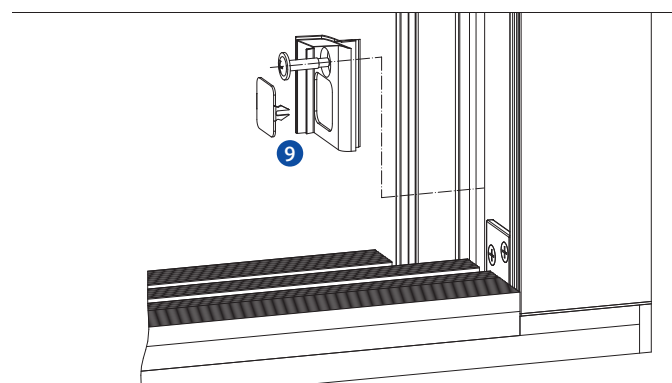
### 9 SBS bb rebate seal

| Designation                          | Dimensions [mm] | Finish | PU        | Order number   |
|--------------------------------------|-----------------|--------|-----------|----------------|
| Z400 rebate seal, incl. fixing screw | -               | grey   | 100 pairs | 6-39768-30-0-1 |

Brush seal with mounting profile



Rebate seal





### Accessories for 2-sash elements

#### **11** Dummy mullion sealing element with SBS bb dummy mullion adapter

| Designation  | Finish | PU   | Order number   |
|--|--------|------|----------------|
| ZS00 dummy mullion sealing element with dummy mullion adapter  | grey   | 5 pc | K-20094-03-0-1 |
| Contains: 1 x dummy mullion sealing element, 1 x dummy mullion adapter, 1 x packer, 1 x sealing lip for supporting bridge, 3 x fixing screws |        |      |                |

### Additional accessories

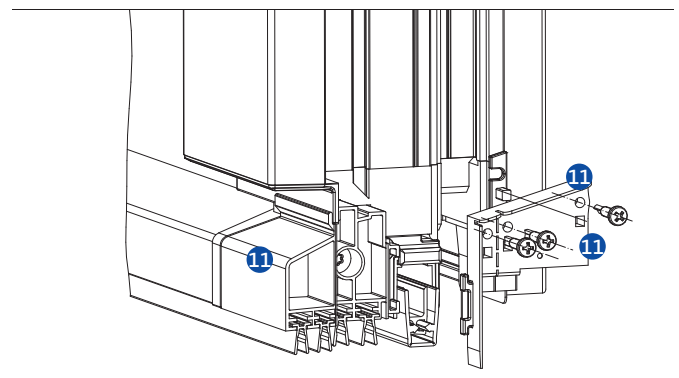
#### Support plate

| Designation                          | Finish | PU     | Order number   |
|--------------------------------------|--------|--------|----------------|
| Support plate (sash hardware groove) | grey   | 100 pc | 9-35697-00-0-1 |

#### Additional locks / strikers

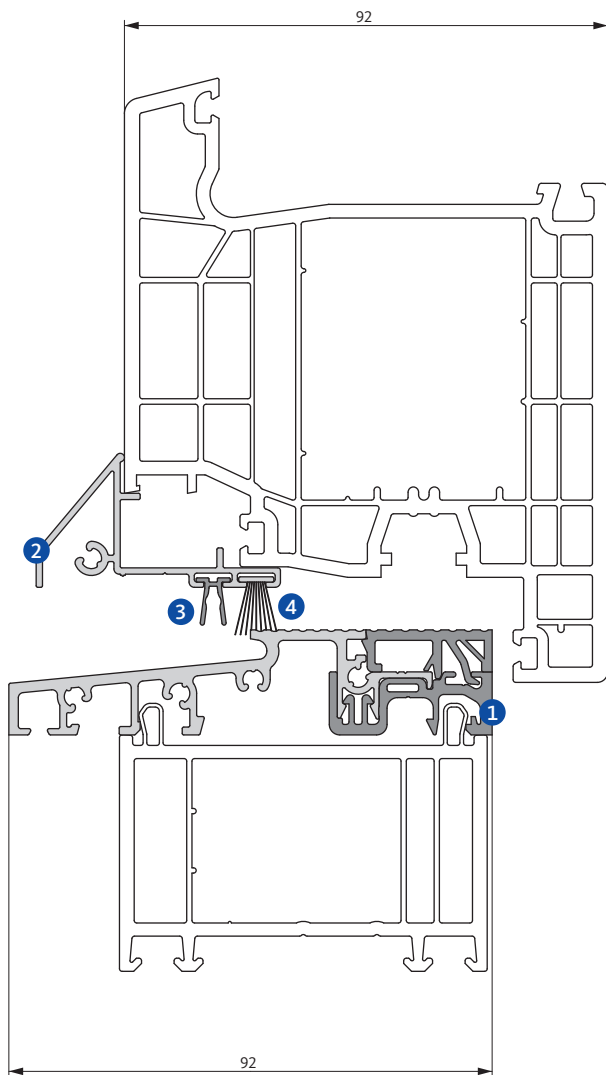
| Designation  |            |             | Finish     | PU   | Order number   |                |
|--|------------|-------------|------------|------|----------------|----------------|
|  |            |             |            |      | DIN LH         | DIN RH         |
| Additional lock SBS bb                                       | Tilt&Turn  | 2 deadbolts | galvanised | 1 pc | 6-39650-01-0-1 |                |
| Additional lock TF SBS bb                                    | Tilt-First | 1 deadbolt  | galvanised | 1 pc | 6-39650-02-L-1 | 6-39650-02-R-1 |
| Additional lock TU-ON SBS bb for ventilation restrictor-stay |            | 1 deadbolt  | galvanised | 1 pc | 6-39650-03-L-1 | 6-39650-03-R-1 |
| SBS bb striker   |            |             | galvanised | 1 pc | 9-51019-12-0-1 |                |
|  |            |             | galvanised | 1 pc | 9-51019-13-0-1 |                |
| Drilling jig for additional locks                            |            |             |            | 1 pc | 6-39804-01-0-1 |                |

Dummy mullion sealing element with dummy mullion adapter



# Salamander bluEvolution 92

GU system threshold 222 V



## Product characteristics

- For use at house entrance and balcony-doors
- GU strikers are installed flush with the tread surface
- Convenient threshold-to-frame / threshold-to-mullion connection
- Bottom connection by means of system-specific extension profiles
- Thermal break with PVC profiles
- No condensation on the inside
- Good thermal insulation

## Matching threshold extensions by Salamander

- 114201
- 114202
- 114203



### 1 GU system threshold 222 V

| Designation  |                              | Dimensions [mm] | Finish     | PU   | Order number   |
|--------------|------------------------------|-----------------|------------|------|----------------|
| GU SBS 222 V | without roller shutter guide | 92 x 20 x 6000  | EV1 / grey | 30 m | 6-37867-60-0-1 |

### Threshold-to-frame connector

| Designation |                       | Dimensions [mm] | Finish | PU       | Order number   |
|-------------|-----------------------|-----------------|--------|----------|----------------|
| 3600        | for Salamander 170420 | 92 x 83         | grey   | 50 pairs | 6-35117-01-0H1 |
| 3600-1      |                       |                 |        | 10 pairs | 6-35117-01-0-1 |
| 3601        | for Salamander 170430 | 92 x 103        | grey   | 50 pairs | 6-35117-02-0H1 |
| 3601-1      |                       |                 |        | 10 pairs | 6-35117-02-0-1 |

### Threshold-to-mullion connector

| Designation |                       | Dimensions [mm] | Finish | PU    | Order number   |
|-------------|-----------------------|-----------------|--------|-------|----------------|
| 3610        | for Salamander 172421 | 92 x 116        | grey   | 25 pc | 6-35129-01-0R1 |
| 3610-1      |                       |                 |        | 10 pc | 6-35129-01-0-1 |

### 2 Drip rail 241

| Designation   |  | Dimensions [mm]    | Finish | PU   | Order number   |
|---------------|--|--------------------|--------|------|----------------|
| Drip rail 241 |  | 46.5 x 25.5 x 6000 | EV1    | 60 m | 9-45386-60-0-1 |

### Lip and brush seal for drip rail

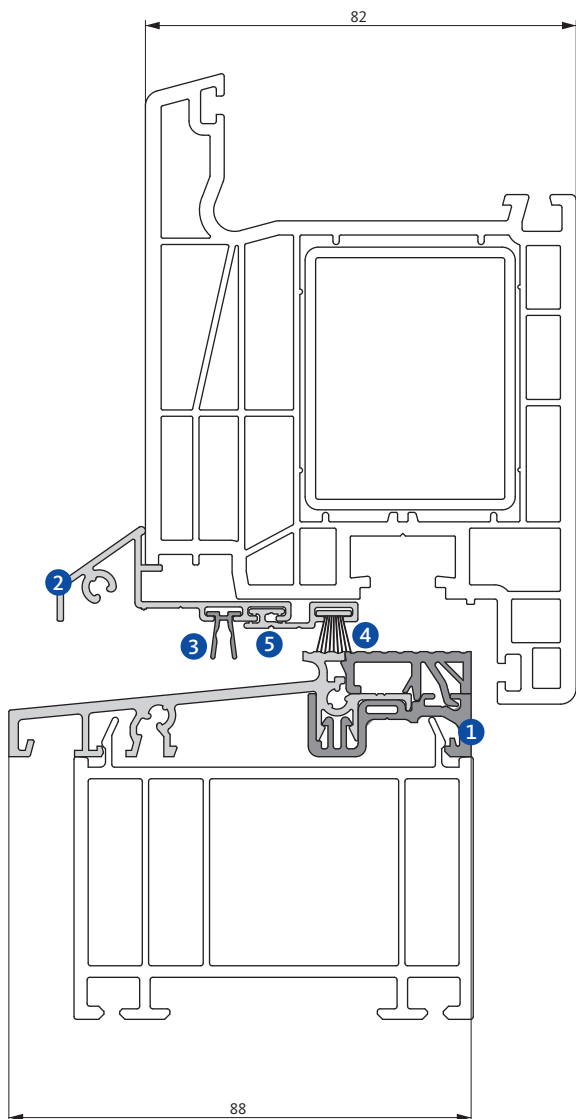
| Designation |            | Dimensions [mm] | Finish | PU     | Order number   |
|-------------|------------|-----------------|--------|--------|----------------|
| 3           | Lip seal   | 6 x 9 x 1100    | grey   | 100 pc | P-01922-01-0-1 |
| 4           | Brush seal | 10              | grey   | 150 m  | H-01159-00-0-1 |

### Groove packer for counter-milled groove

| Designation             |  | Dimensions [mm] | Finish   | PU    | Order number   |
|-------------------------|--|-----------------|----------|-------|----------------|
| Groove packer F 28 – 30 |  | 28 x 30 x 1250  | coloured | 25 pc | H-12028-30-0-0 |
| Groove packer F 28 – 35 |  | 28 x 35 x 1250  | coloured | 20 pc | H-12028-35-0-0 |

# Schüco Corona SI 82

GU system threshold 239 V



## Product characteristics

- For use at house entrance and balcony-doors
- GU strikers are installed flush with the tread surface
- Convenient threshold-to-frame / threshold-to-mullion connection
- Bottom connection by means of system-specific extension profiles
- Thermal break with PVC profiles
- No condensation on the inside
- Good thermal insulation

## Matching threshold extensions by Schüco

- KP276W
- KP376W





### 1 GU system threshold 239 V

| Designation  |                              | Dimensions [mm] | Finish     | PU   | Order number   |
|--------------|------------------------------|-----------------|------------|------|----------------|
| GU SBS 239 V | without roller shutter guide | 88 x 20 x 6000  | EV1 / grey | 30 m | 6-37570-60-0-1 |

### Threshold-to-frame connector

| Designation |                  | Dimensions [mm] | Finish | Order number   |                |
|-------------|------------------|-----------------|--------|----------------|----------------|
|             |                  |                 |        | PU = 50 pairs  | PU = 10 pairs  |
| 8808        | for Schüco 19192 | 82 x 68         | grey   | 6-35423-01-0H1 | 6-35423-01-0-1 |
| 8809        | for Schüco 19207 | 82 x 88         | grey   | 6-35423-02-0H1 | 6-35423-02-0-1 |
| 8810        | for Schüco 19161 | 82 x 78         | grey   | 6-35423-11-0H1 | 6-35423-11-0-1 |

### Threshold-to-mullion connector

| Designation |                  | Dimensions [mm] | Finish | Order number   |                |
|-------------|------------------|-----------------|--------|----------------|----------------|
|             |                  |                 |        | PU = 25 pcs    | PU = 10 pcs    |
| 8814        | for Schüco 19209 | 82 x 91         | grey   | 6-35424-01-0R1 | 6-35424-01-0-1 |
| 8815        | for Schüco 18833 | 82 x 110        | grey   | 6-35424-07-0R1 | 6-35424-07-0-1 |

### 2 Drip rail 243 + end cap 242

| Designation    |                     | Dimensions [mm]  | Finish | PU        | Order number   |
|----------------|---------------------|------------------|--------|-----------|----------------|
| Drip rail 243g | without accessories | 44.5 x 18 x 6000 | EV1    | 60 m      | 9-45562-60-0-1 |
|                |                     | 44.5 x 18 x 2000 | EV1    | 30 pc     | 9-45562-20-0-1 |
| End cap 242    | for drip rail 243g  | -                | grey   | 100 pairs | 9-46028-00-0-1 |
| Drip rail 243b | without accessories | 44.5 x 18 x 6000 | brown  | 60 m      | 9-45562-60-0-5 |
|                |                     | 44.5 x 18 x 2000 | brown  | 30 pc     | 9-45562-20-0-5 |
| End cap 242    | for drip rail 243b  | -                | brown  | 100 pairs | 9-46028-00-0-5 |
| Drip rail 243w | without accessories | 44.5 x 18 x 6000 | white  | 60 m      | 9-45562-60-0-7 |
|                |                     | 44.5 x 18 x 2000 | white  | 30 pc     | 9-45562-20-0-7 |
| End cap 242    | for drip rail 243w  | -                | white  | 100 pairs | 9-46028-00-0-7 |

### Lip and brush seal for drip rail

| Designation |            | Dimensions [mm] | Finish | PU     | Order number   |
|-------------|------------|-----------------|--------|--------|----------------|
| 3           | Lip seal   | 6 x 9 x 1100    | grey   | 100 pc | P-01922-01-0-1 |
| 4           | Brush seal | 10              | grey   | 150 m  | H-01159-00-0-1 |

### 5 Drip rail extension

| Designation         |                   | Dimensions [mm] | Finish | PU   | Order number   |
|---------------------|-------------------|-----------------|--------|------|----------------|
| Drip rail extension | for drip rail 243 | 22 x 5 x 2000   | EV1    | 30 m | P-02008-20-0-1 |

### Dummy mullion adapter 251

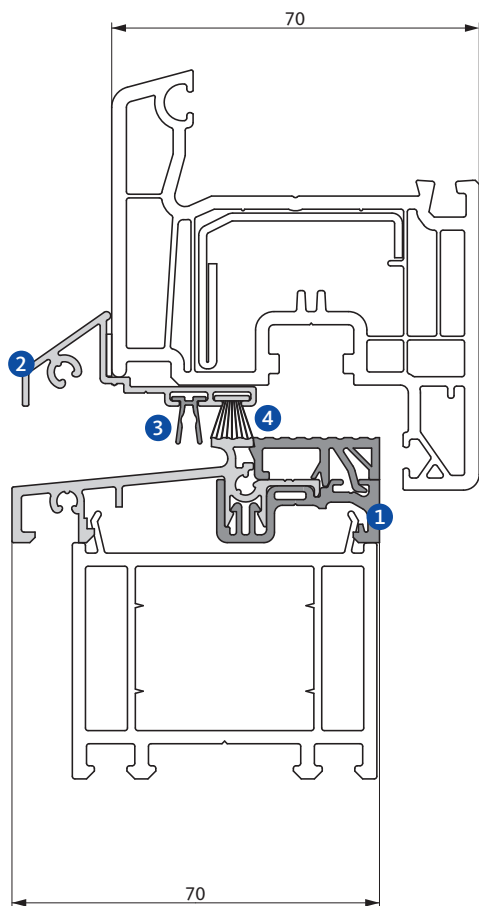
| Designation               |                   | Dimensions [mm] | Finish | PU    | Order number   |
|---------------------------|-------------------|-----------------|--------|-------|----------------|
| Dummy mullion adapter 251 | for drip rail 243 | 83 x 28 x 6.5   | grey   | 25 pc | 9-45566-00-0-1 |

### Groove packer for counter-milled groove

| Designation           |  | Dimensions [mm] | Finish   | PU    | Order number   |
|-----------------------|--|-----------------|----------|-------|----------------|
| Groove packer F 33-42 |  | 33 x 42 x 1250  | coloured | 20 pc | H-12033-42-0-0 |

# Veka Topline 70

GU system threshold 210 V



## Product characteristics

- For use at house entrance and balcony-doors
- GU strikers are installed flush with the tread surface
- Convenient threshold-to-frame / threshold-to-mullion connection
- Bottom connection by means of system-specific extension profiles
- Thermal break with PVC profiles
- No condensation on the inside
- Good thermal insulation

## Matching threshold extensions by Veka

- |          |          |
|----------|----------|
| ■ 109569 | ■ 114205 |
| ■ 114012 | ■ 114201 |
| ■ 114011 | ■ 114202 |
| ■ 114017 | ■ 114203 |
| ■ 114024 | ■ 109437 |
| ■ 114200 | ■ 109445 |

## Installation drawing

- 0-45949



### 1 GU system threshold 210 V

| Designation  |                              | Dimensions [mm] | Finish     | PU   | Order number   |
|--------------|------------------------------|-----------------|------------|------|----------------|
| GU SBS 210 V | without roller shutter guide | 70 x 20 x 6000  | EV1 / grey | 30 m | 6-37568-60-0-1 |

### Threshold-to-frame connector

| Designation |                  | Dimensions [mm] | Finish | Order number   |                |
|-------------|------------------|-----------------|--------|----------------|----------------|
|             |                  |                 |        | PU = 50 pairs  | PU = 10 pairs  |
| 3700        | for Veka 101.205 | 70 x 75         | grey   | 6-34821-01-0H1 | 6-34821-01-0-1 |
| 3705        | for Veka 101.204 | 70 x 67         | grey   | 6-34821-02-0H1 | 6-34821-02-0-1 |
| 3720        | for Veka 101.203 | 70 x 85         | grey   | 6-34821-03-0H1 | 6-34821-03-0-1 |
| 3810        | for Veka 101.235 | 70 x 80         | grey   | 6-34823-01-0H1 | 6-34823-01-0-1 |
| 3830        | for Veka 101.202 | 70 x 100        | grey   | 6-34823-02-0H1 | 6-34823-02-0-1 |

### Threshold-to-mullion connector

| Designation |                            | Dimensions [mm] | Finish | Order number   |                |
|-------------|----------------------------|-----------------|--------|----------------|----------------|
|             |                            |                 |        | PU = 25 pcs    | PU = 10 pcs    |
| 3860        | for Veka 102.200 / 102.239 | 70 x 85         | grey   | 6-34824-01-0R1 | 6-34824-01-0-1 |
| 3770        | for Veka 102.207           | 70 x 100        | grey   | 6-34822-01-0R1 | 6-34822-01-0-1 |
| 3880        | for Veka 102.202 / 102.238 | 70 x 118        | grey   | 6-34824-02-0R1 | 6-34824-02-0-1 |

### 2 Drip rail 247 + end cap 242

| Designation    |                              | Dimensions [mm]  | Finish | PU         | Order number   |
|----------------|------------------------------|------------------|--------|------------|----------------|
| Drip rail 247g | without accessories          | 44.5 x 18 x 5520 | EV1    | 55.2 m     | 6-34828-56-0-1 |
|                |                              | 44.5 x 18 x 1840 | EV1    | 30 pc      | 6-34828-18-0-1 |
|                | with end caps and brush seal | 44.5 x 18 x 1100 | EV1    | Set of 25* | 6-34828-00-0-1 |
| End cap 242    | for drip rail 247g           | -                | grey   | 100 pairs  | 9-46028-00-0-1 |
| Drip rail 247b | without accessories          | 44.5 x 18 x 5520 | brown  | 55.2 m     | 6-34828-56-0-5 |
|                |                              | 44.5 x 18 x 1840 | brown  | 30 pc      | 6-34828-18-0-5 |
|                | with end caps and brush seal | 44.5 x 18 x 1100 | brown  | Set of 25* | 6-34828-00-0-5 |
| End cap 242    | for drip rail 247b           | -                | brown  | 100 pairs  | 9-46028-00-0-5 |
| Drip rail 247w | without accessories          | 44.5 x 18 x 5520 | white  | 55.2 m     | 6-34828-56-0-7 |
|                |                              | 44.5 x 18 x 1840 | white  | 30 pc      | 6-34828-18-0-7 |
|                | with end caps and brush seal | 44.5 x 18 x 1100 | white  | Set of 25* | 6-34828-00-0-7 |
| End cap 242    | for drip rail 247w           | -                | white  | 100 pairs  | 9-46028-00-0-7 |

\* Contains: 25 x 1100 mm drip rail, 25 pairs of end caps, 25 x 1100 mm brush seals

# Veka Topline 70

## GU system threshold 210 V



### Lip and brush seal for drip rail

| Designation  | Dimensions [mm] | Finish | PU     | Order number   |
|--------------|-----------------|--------|--------|----------------|
| 3 Lip seal   | 6 x 9 x 1100    | grey   | 100 pc | P-01922-01-0-1 |
| 4 Brush seal | 10              | grey   | 150 m  | H-01159-00-0-1 |

### Dummy mullion end cap 242

| Designation                            | Dimensions [mm] | Finish | Order number (PU =1 pc) |                |
|--|-----------------|--------|-------------------------|----------------|
|  |                 |        | on left                 | on right       |
| Dummy mullion end cap WS 242 Veka Si70 | 18 x 64         | grey   | 9-47839-01-L-1          | 9-47839-01-R-1 |
|  | 18 x 64         | white  | 9-47839-01-L-7          | 9-47839-01-R-7 |

### Levelling profile + end cap

| Designation             | Dimensions [mm]            | Finish | PU        | Order number   |
|-------------------------|----------------------------|--------|-----------|----------------|
| HAP 5 levelling profile | 36 x 20 x 2000             | EV1    | 30 m      | P-01900-20-0-1 |
| End cap                 | for HAP5 levelling profile | grey   | 100 pairs | 9-46488-00-0-1 |

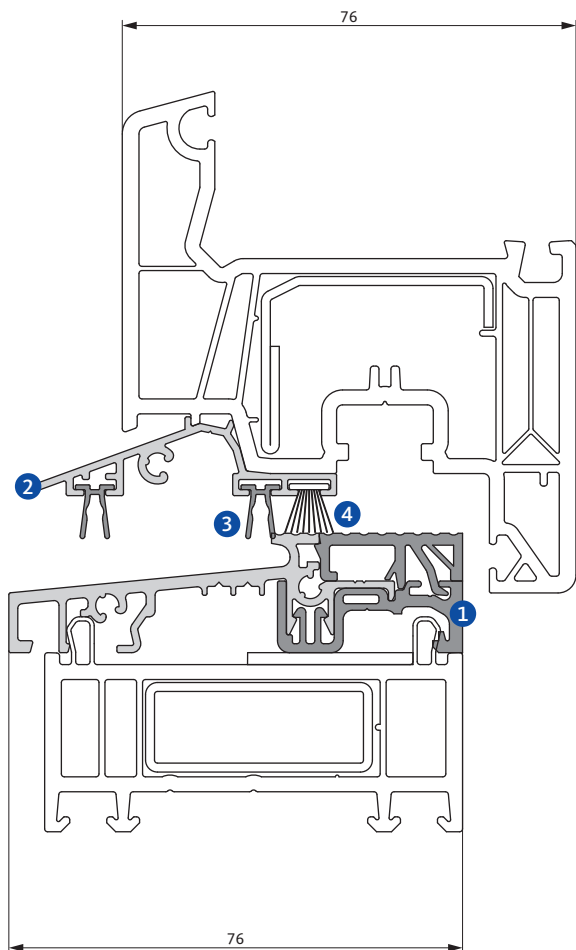
### Groove packer for counter-milled groove

| Designation             | Dimensions [mm] | Finish   | PU    | Order number   |
|-------------------------|-----------------|----------|-------|----------------|
| Groove packer F 30 - 30 | 30 x 30 x 1250  | coloured | 25 pc | H-12030-30-0-0 |
| Groove packer F 30 - 38 | 30 x 38 x 1250  | coloured | 20 pc | H-12030-38-0-0 |



# Veka Softline 76

GU system threshold 500 V



## Product characteristics

- For use at house entrance and balcony-doors
- GU strikers are installed flush with the tread surface
- Convenient threshold-to-frame / threshold-to-mullion connection
- Bottom connection by means of system-specific extension profiles
- Thermal break with PVC profiles
- No condensation on the inside
- Good thermal insulation

## Matching threshold extensions by Veka

- 114011, 114052, 114053, 114054, 114055
- 114200
- 114201
- 114202
- 114203
- 114205

## Installation drawing

- 0-48766



## 1 GU system threshold 500 V

| Designation  |                              | Dimensions [mm] | Finish     | PU   | Order number   |
|--------------|------------------------------|-----------------|------------|------|----------------|
| GU SBS 500 V | without roller shutter guide | 76 x 20 x 6000  | EV1 / grey | 30 m | 6-39933-60-0-1 |

## Threshold-to-frame connector

| Designation |                            | Dimensions [mm] | Finish | PU       | Order number   |
|-------------|----------------------------|-----------------|--------|----------|----------------|
| 3920        | for Veka SL 101350, 101353 | 76 x 71         | grey   | 50 pairs | 6-39934-01-0-1 |
| 3921        | for Veka SL 101351, 101354 | 76 x 81         | grey   | 50 pairs | 6-39934-02-0-1 |
| 3922        | for Veka SL 101352, 101355 | 76 x 104        | grey   | 50 pairs | 6-39934-03-0-1 |

## End piece for threshold-to-frame connector

| Designation |                                       | Dimensions [mm] | Finish | PU       | Order number   |
|-------------|---------------------------------------|-----------------|--------|----------|----------------|
| 601         | for threshold-to-frame connector 3920 | -               | grey   | 50 pairs | 9-51478-01-0-1 |
| 602         | for threshold-to-frame connector 3921 | -               | grey   | 50 pairs | 9-51478-02-0-1 |
| 603         | for threshold-to-frame connector 3922 | -               | grey   | 50 pairs | 9-51478-03-0-1 |

## Threshold-to-mullion connector

| Designation |                            | Dimensions [mm] | Finish | PU    | Order number   |
|-------------|----------------------------|-----------------|--------|-------|----------------|
| 3930        | for Veka SL 102350, 102352 | 76 x 92         | grey   | 25 pc | 6-39935-01-0-1 |
| 3931        | for Veka SL 102351, 102357 | 76 x 122        | grey   | 25 pc | 6-39935-02-0-1 |

## 2 Drip rail 245 + end cap 245

| Designation    |                     | Dimensions [mm] | Finish | PU        | Order number   |
|----------------|---------------------|-----------------|--------|-----------|----------------|
| Drip rail 245g | without accessories | 52 x 14 x 6000  | EV1    | 60 m      | P-02217-60-0-1 |
|                |                     | 52 x 14 x 2000  | EV1    | 30 pc     | P-02217-20-0-1 |
| End cap 245    | for drip rail 245g  | -               | grey   | 100 pairs | 9-51477-01-0-1 |

## Lip and brush seal for drip rail

| Designation |            | Dimensions [mm] | Finish | PU     | Order number   |
|-------------|------------|-----------------|--------|--------|----------------|
| 3           | Lip seal   | 6 x 9 x 1100    | grey   | 100 pc | P-01922-01-0-1 |
| 4           | Brush seal | 10              | grey   | 150 m  | H-01159-00-0-1 |

## Dummy mullion adapter 405

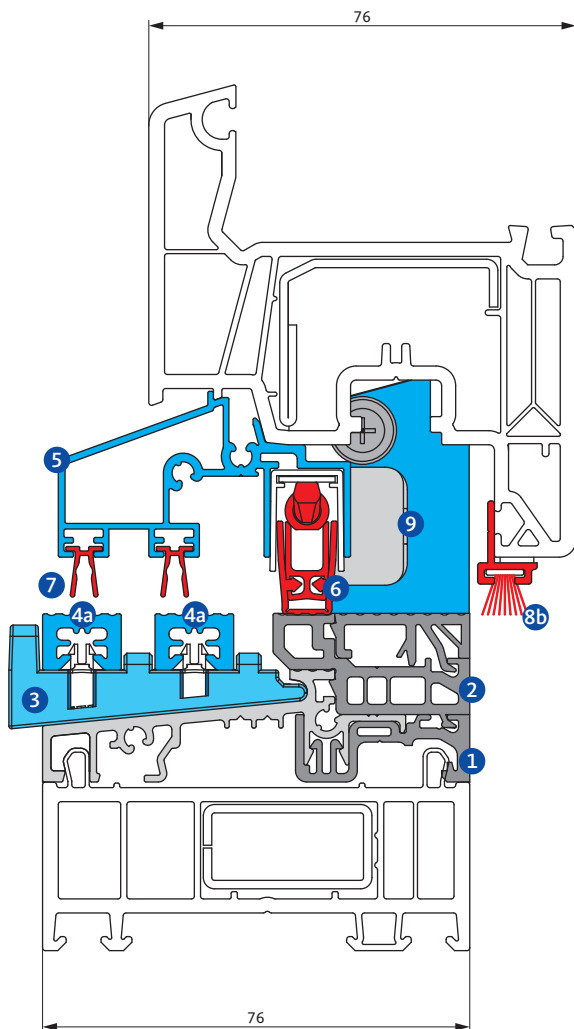
| Designation               |                   | Dimensions [mm] | Finish | PU    | Order number   |
|---------------------------|-------------------|-----------------|--------|-------|----------------|
| Dummy mullion adapter 405 | for drip rail 245 | -               | grey   | 75 pc | 9-51476-01-0-1 |

## SBS rebate seal

| Designation     |  | Dimensions [mm] | Finish | PU       | Order number   |
|-----------------|--|-----------------|--------|----------|----------------|
| SBS rebate seal |  | 3.6             | grey   | 50 pairs | 6-39258-36-0-1 |

# Veka Softline 76

GU system threshold 500 V bb



## Product characteristics

- For use at house entrance and balcony-doors
- A few additional components turn the GU system threshold into a floor-flush threshold system
- Available with optional patented additional lock
  - tested security also for 2-sashed elements up to resistance class RC2 according to EN 1627
  - for secure central locking in combination with commercially-available Tilt&Turn hardware
  - Tilt-First version available as option
  - strikers are installed flush with the tread surface
- Simple and easy installation without any additional milling work on the element
- Tightness against driving rain up to class 9A (also with double-leaf doors)
- Good thermal insulation
- Unmodified structural connections in the area of the threshold

## Matching threshold extensions by Veka

- 114011, 114052, 114053, 114054, 114055
- 114200
- 114201
- 114202
- 114203
- 114205

## Installation drawing

- 0-48952

Suitable for barrier-free construction in compliance with DIN 18040







## 1 GU system threshold 500 V

| Designation  |                              | Dimensions [mm] | Finish     | PU   | Order number   |
|--------------|------------------------------|-----------------|------------|------|----------------|
| GU SBS 500 V | without roller shutter guide | 76 x 20 x 6000  | EV1 / grey | 30 m | 6-39933-60-0-1 |

## 2 SBS bb levelling profile

| Designation            | Length [mm] | Finish | PU     | Order number   |
|------------------------|-------------|--------|--------|----------------|
| ZAP1 levelling profile | 1200        | grey   | 100 pc | P-02174-12-0-1 |
|                        | 2000        | grey   | 40 m   | P-02174-20-0-1 |
|                        | 6000        | grey   | 120 m  | P-02174-60-0-1 |

## 3 SBS bb supporting bridge

| Designation            | Dimensions [mm] | Finish | PU    | Order number   |
|------------------------|-----------------|--------|-------|----------------|
| Z101 supporting bridge | -               | grey   | 50 pc | 6-39708-01-0-1 |

## 4a SBS bb support profile

| Designation             | Length [mm] | Finish     | PU     | Order number   |
|-------------------------|-------------|------------|--------|----------------|
| Z114 support profile 14 | 1200        | EV1 / grey | 100 pc | P-02175-12-0-1 |
|                         | 2000        | EV1 / grey | 36 pc  | P-02175-20-0-1 |
|                         | 6000        | EV1 / grey | 120 m  | P-02175-60-0-1 |

## Threshold-to-frame connector

| Designation |                            | Dimensions [mm] | Finish | PU       | Order number   |
|-------------|----------------------------|-----------------|--------|----------|----------------|
| 3920        | for Veka SL 101350, 101353 | 76 x 71         | grey   | 50 pairs | 6-39934-01-0-1 |
| 3921        | for Veka SL 101351, 101354 | 76 x 81         | grey   | 50 pairs | 6-39934-02-0-1 |
| 3922        | for Veka SL 101352, 101355 | 76 x 104        | grey   | 50 pairs | 6-39934-03-0-1 |

## Threshold-to-mullion connector

| Designation |                            | Dimensions [mm] | Finish | PU    | Order number   |
|-------------|----------------------------|-----------------|--------|-------|----------------|
| 3930        | for Veka SL 102350, 102352 | 76 x 92         | grey   | 25 pc | 6-39935-01-0-1 |
| 3931        | for Veka SL 102351, 102357 | 76 x 122        | grey   | 25 pc | 6-39935-02-0-1 |

# Veka Softline 76

## GU system threshold 500 V bb



### 5 SBS bb drip rail + end cap

| Designation      |                     | Length [mm] | Finish | PU        | Order number   |
|------------------|---------------------|-------------|--------|-----------|----------------|
| Z207 drip rail   | without accessories | 1200        | EV1    | 30 pc     | P-02244-12-0-1 |
|                  |                     | 6000        | EV1    | 36 m      | P-02244-60-0-1 |
| ZE207 end cap WS | for Z207 drip rail  | -           | grey   | 100 pairs | 9-51785-01-0-1 |

### 6 SBS bb lowerable gasket incl. run-up stop

| Designation            | SRW [mm]  | Dimensions [mm] | Finish     | PU   | Order number   |
|------------------------|-----------|-----------------|------------|------|----------------|
| ZAD3 lowerable gasket  | 220-335   | 18 x 13 x 335   | EV1 / grey | 5 pc | H-01868-03-0-0 |
| ZAD4 lowerable gasket  | 336-460   | 18 x 13 x 460   | EV1 / grey | 5 pc | H-01868-04-0-0 |
| ZAD5 lowerable gasket  | 461-585   | 18 x 13 x 585   | EV1 / grey | 5 pc | H-01868-05-0-0 |
| ZAD7 lowerable gasket  | 586-710   | 18 x 13 x 710   | EV1 / grey | 5 pc | H-01868-07-0-0 |
| ZAD8 lowerable gasket  | 711-835   | 18 x 13 x 835   | EV1 / grey | 5 pc | H-01868-08-0-0 |
| ZAD9 lowerable gasket  | 836-960   | 18 x 13 x 960   | EV1 / grey | 5 pc | H-01868-09-0-0 |
| ZAD10 lowerable gasket | 961-1085  | 18 x 13 x 1085  | EV1 / grey | 5 pc | H-01868-10-0-0 |
| ZAD12 lowerable gasket | 1086-1210 | 18 x 13 x 1210  | EV1 / grey | 5 pc | H-01868-12-0-0 |

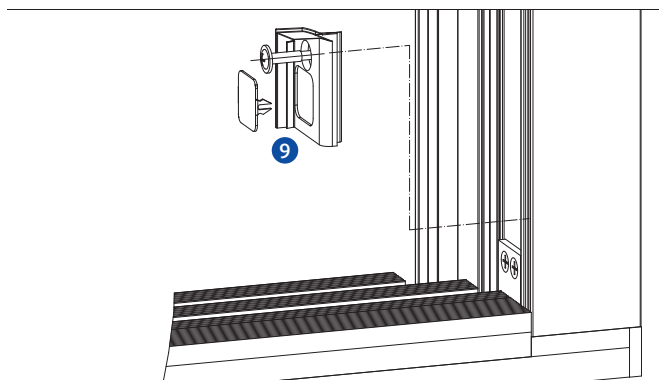
### Lip and brush seals

| Designation         |   | Dimensions [mm]  | Finish | PU     | Order number   |
|---------------------|---|------------------|--------|--------|----------------|
| 7                   | Lip seal                                    | 6 x 9 x 1100     | grey   | 100 pc | P-01922-01-0-1 |
| Not illustrated     | Brush seal, short, self-adhesive            | 12 x 8 x 27      | grey   | 100 pc | 9-49373-01-0-1 |
| 8a                  | Brush seal, self-adhesive                   | 12 x 10 x 1200   | grey   | 100 pc | H-01884-12-0-1 |
| Alternative for 8a: |   |                  |        |        |                |
| 8b                  | SBS bb Z-17315 brush seal 4P                | 6.7 x 8 x 1200   | grey   | 100 pc | 9-51903-12-0-0 |
|                     | SBS bb Z290 mounting profile, self-adhesive | 10.6 x 15 x 1200 | grey   | 100 pc | 6-40502-12-0-1 |

### 9 SBS bb rebate seal

| Designation                          | Dimensions [mm] | Finish | PU        | Order number   |
|--------------------------------------|-----------------|--------|-----------|----------------|
| Z400 rebate seal, incl. fixing screw | -               | grey   | 100 pairs | 6-39768-30-0-1 |

Rebate seal





## Accessories for 2-sash elements

### **11** Dummy mullion sealing element with SBS bb dummy mullion adapter

| Designation  | Finish | PU   | Order number   |
|--|--------|------|----------------|
| ZS07 dummy mullion sealing element with dummy mullion adapter  | grey   | 5 pc | K-20094-07-0-1 |
| Contains: 1 x dummy mullion sealing element, 1 x dummy mullion adapter, 1 x sealing lip for supporting bridge, 3 x fixing screws |        |      |                |

## Additional accessories

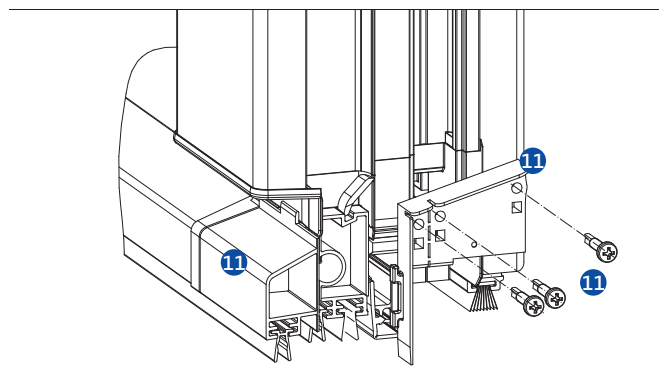
### Support plate

| Designation                          | Finish | PU     | Order number   |
|--------------------------------------|--------|--------|----------------|
| Support plate (sash hardware groove) | grey   | 100 pc | 9-35697-00-0-1 |

### Additional locks / strikers

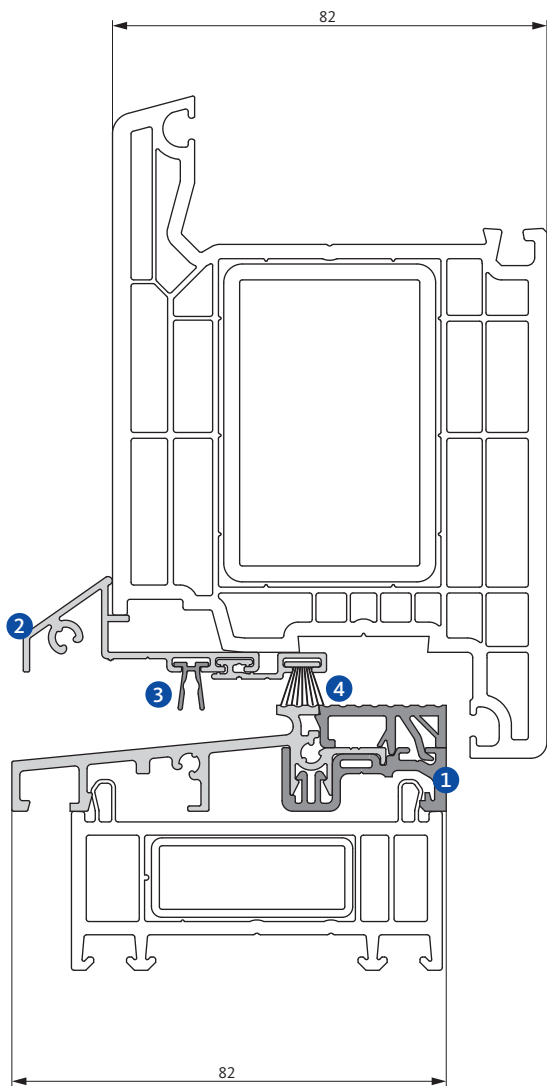
| Designation  |            |             | Finish     | PU   | Order number   |                |
|--|------------|-------------|------------|------|----------------|----------------|
|  |            |             |            |      | DIN LH         | DIN RH         |
| Additional lock SBS bb                                       | Tilt&Turn  | 2 deadbolts | galvanised | 1 pc | 6-39650-01-0-1 |                |
| Additional lock TF SBS bb                                    | Tilt-First | 1 deadbolt  | galvanised | 1 pc | 6-39650-02-L-1 | 6-39650-02-R-1 |
| Additional lock TU-ON SBS bb for ventilation restrictor-stay |            | 1 deadbolt  | galvanised | 1 pc | 6-39650-03-L-1 | 6-39650-03-R-1 |
| SBS bb striker   |            |             | galvanised | 1 pc | 9-51019-12-0-1 |                |
|  |            |             | galvanised | 1 pc | 9-51019-13-0-1 |                |
| Drilling jig for additional locks                            |            |             |            | 1 pc | 6-39804-01-0-1 |                |

Dummy mullion sealing element with dummy mullion adapter



# Veka Softline 82

GU system threshold 280 V + drip rail 243



## Product characteristics

- For use at house entrance and balcony-doors
- GU strikers are installed flush with the tread surface
- Convenient threshold-to-frame / threshold-to-mullion connection
- Bottom connection by means of system-specific extension profiles
- Thermal break with PVC profiles
- No condensation on the inside
- Good thermal insulation

## Matching threshold extensions by Veka

- 109660
- 114040
- 114200
- 114041
- 114201
- 114042
- 114203
- 114043
- 114205



### 1 GU system threshold 280 V

| Designation  |                              | Dimensions [mm] | Finish     | PU   | Order number   |
|--------------|------------------------------|-----------------|------------|------|----------------|
| GU SBS 280 V | without roller shutter guide | 82 x 20 x 6000  | EV1 / grey | 30 m | 6-37479-60-0-1 |

### Threshold-to-frame connector

| Designation |                                | Dimensions [mm] | Finish | Order number   |                |
|-------------|--------------------------------|-----------------|--------|----------------|----------------|
|             |                                |                 |        | PU = 50 pairs  | PU = 10 pairs  |
| 3900        | for Veka SL 101290, 101293     | 82 x 73         | grey   | 6-35801-01-0H1 | 6-35801-01-0-1 |
| 3905        | for Veka SL 101293 incl. cover | 82 x 73         | grey   | 6-38855-01-0H1 | 6-38855-01-0-1 |
| 3901        | for Veka SL 101291, 101294     | 82 x 83         | grey   | 6-35801-02-0H1 | 6-35801-02-0-1 |
| 3906        | for Veka SL 101294 incl. cover | 82 x 83         | grey   | 6-38855-02-0H1 | 6-38855-02-0-1 |
| 3902        | for Veka SL 101292             | 82 x 106        | grey   | 6-35801-03-0H1 | 6-35801-03-0-1 |

### Threshold-to-mullion connector

| Designation |                            | Dimensions [mm] | Finish | Order number   |                |
|-------------|----------------------------|-----------------|--------|----------------|----------------|
|             |                            |                 |        | PU = 25 pcs    | PU = 10 pcs    |
| 3910        | for Veka SL 102310, 102312 | 82 x 94         | grey   | 6-35802-01-0R1 | 6-35802-01-0-1 |
| 3911        | for Veka SL 102311         | 82 x 124        | grey   | 6-35802-02-0R1 | 6-35802-02-0-1 |

### 2 Drip rail 243 + end cap 242

| Designation    |                     | Dimensions [mm]  | Finish | PU        | Order number   |
|----------------|---------------------|------------------|--------|-----------|----------------|
| Drip rail 243g | without accessories | 44.5 x 18 x 6000 | EV1    | 60 m      | 9-45562-60-0-1 |
|                |                     | 44.5 x 18 x 2000 | EV1    | 30 pc     | 9-45562-20-0-1 |
| End cap 242    | for drip rail 243g  | -                | grey   | 100 pairs | 9-46028-00-0-1 |
| Drip rail 243b | without accessories | 44.5 x 18 x 6000 | brown  | 60 m      | 9-45562-60-0-5 |
|                |                     | 44.5 x 18 x 2000 | brown  | 30 pc     | 9-45562-20-0-5 |
| End cap 242    | for drip rail 243b  | -                | brown  | 100 pairs | 9-46028-00-0-5 |
| Drip rail 243w | without accessories | 44.5 x 18 x 6000 | white  | 60 m      | 9-45562-60-0-7 |
|                |                     | 44.5 x 18 x 2000 | white  | 30 pc     | 9-45562-20-0-7 |
| End cap 242    | for drip rail 243w  | -                | white  | 100 pairs | 9-46028-00-0-7 |

### 5 Drip rail extension

| Designation         |                   | Dimensions [mm] | Finish | PU   | Order number   |
|---------------------|-------------------|-----------------|--------|------|----------------|
| Drip rail extension | for drip rail 243 | 22 x 5 x 2000   | EV1    | 30 m | P-02008-20-0-1 |

# Veka Softline 82

## GU system threshold 280 V + drip rail 243



### Lip and brush seal for drip rail

| Designation |            | Dimensions [mm] | Finish | PU     | Order number   |
|-------------|------------|-----------------|--------|--------|----------------|
| 3           | Lip seal   | 6 x 9 x 1100    | grey   | 100 pc | P-01922-01-0-1 |
| 4           | Brush seal | 10              | grey   | 150 m  | H-01159-00-0-1 |

### Levelling profile + end cap

| Designation             |                            | Dimensions [mm] | Finish | PU        | Order number   |
|-------------------------|----------------------------|-----------------|--------|-----------|----------------|
| HAP 5 levelling profile |                            | 36 x 20 x 2000  | EV1    | 30 m      | P-01900-20-0-1 |
| End cap                 | for HAP5 levelling profile | -               | grey   | 100 pairs | 9-46694-00-0-1 |

### Groove packer for counter-milled groove

| Designation             |  | Dimensions [mm] | Finish   | PU    | Order number   |
|-------------------------|--|-----------------|----------|-------|----------------|
| Groove packer F 30 – 30 |  | 30 x 30 x 1250  | coloured | 25 pc | H-12030-30-0-0 |
| Groove packer F 30 – 38 |  | 30 x 38 x 1250  | coloured | 20 pc | H-12030-38-0-0 |

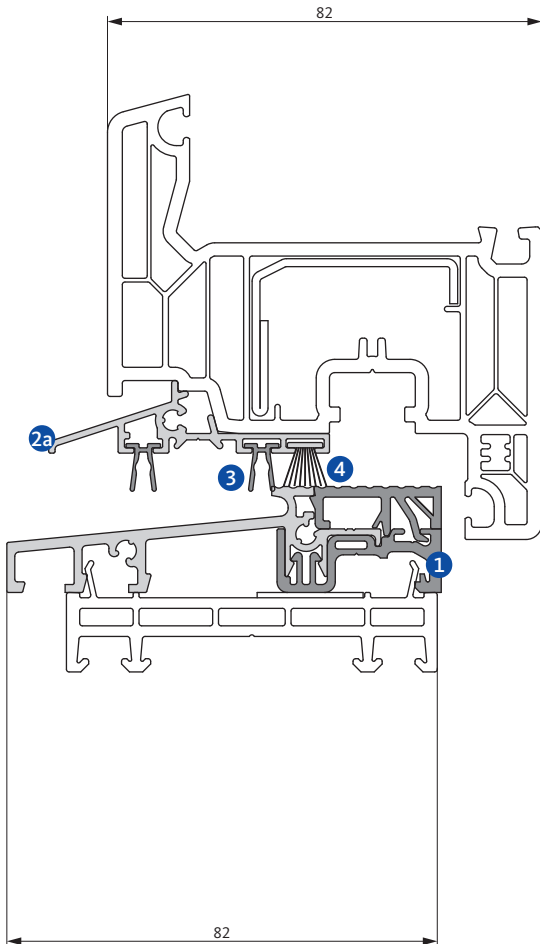


# Veka Softline 82

GU system threshold 280 V + drip rail 269



**GU**



## Product characteristics

- For use at house entrance and balcony-doors
- GU strikers are installed flush with the tread surface
- Convenient threshold-to-frame / threshold-to-mullion connection
- Bottom connection by means of system-specific extension profiles
- Thermal break with PVC profiles
- No condensation on the inside
- Good thermal insulation

## Matching threshold extensions by Veka

- 109660
- 114040
- 114200
- 114041
- 114201
- 114042
- 114203
- 114043
- 114205

## Installation drawing

- 0-45856





### ① GU system threshold 280 V

| Designation  |                              | Dimensions [mm] | Finish     | PU   | Order number   |
|--------------|------------------------------|-----------------|------------|------|----------------|
| GU SBS 280 V | without roller shutter guide | 82 x 20 x 6000  | EV1 / grey | 30 m | 6-37479-60-0-1 |

### Threshold-to-frame connector

| Designation |                                | Dimensions [mm] | Finish | Order number   |                |
|-------------|--------------------------------|-----------------|--------|----------------|----------------|
|             |                                |                 |        | PU = 50 pairs  | PU = 10 pairs  |
| 3900        | for Veka SL 101290, 101293     | 82 x 73         | grey   | 6-35801-01-0H1 | 6-35801-01-0-1 |
| 3905        | for Veka SL 101293 incl. cover | 82 x 73         | grey   | 6-38855-01-0H1 | 6-38855-01-0-1 |
| 3901        | for Veka SL 101291, 101294     | 82 x 83         | grey   | 6-35801-02-0H1 | 6-35801-02-0-1 |
| 3906        | for Veka SL 101294 incl. cover | 82 x 83         | grey   | 6-38855-02-0H1 | 6-38855-02-0-1 |
| 3902        | for Veka SL 101292             | 82 x 106        | grey   | 6-35801-03-0H1 | 6-35801-03-0-1 |

### Threshold-to-mullion connector

| Designation |                            | Dimensions [mm] | Finish | Order number   |                |
|-------------|----------------------------|-----------------|--------|----------------|----------------|
|             |                            |                 |        | PU = 25 pcs    | PU = 10 pcs    |
| 3910        | for Veka SL 102310, 102312 | 82 x 94         | grey   | 6-35802-01-0R1 | 6-35802-01-0-1 |
| 3911        | for Veka SL 102311         | 82 x 124        | grey   | 6-35802-02-0R1 | 6-35802-02-0-1 |

### ② Drip rail 269 + end cap 269

| Designation    |                     | Dimensions [mm] | Finish | PU        | Order number   |
|----------------|---------------------|-----------------|--------|-----------|----------------|
| Drip rail 269g | without accessories | 53 x 14 x 6000  | EV1    | 60 m      | P-02260-60-0-1 |
| End cap 269    | for drip rail 269g  | -               | grey   | 100 pairs | 9-51949-01-0-1 |

### ⑤ Drip rail extension

| Designation         |                   | Dimensions [mm] | Finish | PU   | Order number   |
|---------------------|-------------------|-----------------|--------|------|----------------|
| Drip rail extension | for drip rail 269 | 22 x 5 x 2000   | EV1    | 30 m | P-02008-20-0-1 |

# Veka Softline 82

## GU system threshold 280 V + drip rail 269



### Lip and brush seal for drip rail

| Designation |            | Dimensions [mm] | Finish | PU     | Order number   |
|-------------|------------|-----------------|--------|--------|----------------|
| 3           | Lip seal   | 6 x 9 x 1100    | grey   | 100 pc | P-01922-01-0-1 |
| 4           | Brush seal | 10              | grey   | 150 m  | H-01159-00-0-1 |

### Levelling profile + end cap

| Designation             |                            | Dimensions [mm] | Finish | PU        | Order number   |
|-------------------------|----------------------------|-----------------|--------|-----------|----------------|
| HAP 5 levelling profile |                            | 36 x 20 x 2000  | EV1    | 30 m      | P-01900-20-0-1 |
| End cap                 | for HAP5 levelling profile | -               | grey   | 100 pairs | 9-46694-00-0-1 |

### Dummy mullion adapter 269

| Designation               |                   | Dimensions [mm] | Finish | PU    | Order number   |
|---------------------------|-------------------|-----------------|--------|-------|----------------|
| Dummy mullion adapter 269 | for drip rail 269 | -               | grey   | 10 pc | 9-51950-01-0-1 |

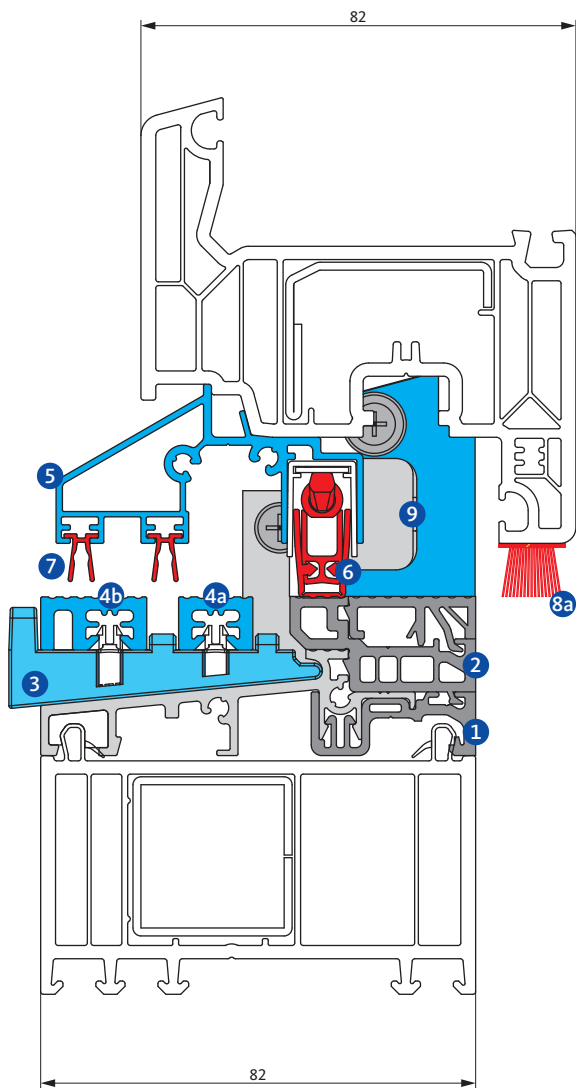
### Groove packer for counter-milled groove

| Designation             |  | Dimensions [mm] | Finish   | PU    | Order number   |
|-------------------------|--|-----------------|----------|-------|----------------|
| Groove packer F 30 - 30 |  | 30 x 30 x 1250  | coloured | 25 pc | H-12030-30-0-0 |
| Groove packer F 30 - 38 |  | 30 x 38 x 1250  | coloured | 20 pc | H-12030-38-0-0 |



# Veka Softline 82

GU system threshold 280 V bb



## Product characteristics

- For use at house entrance and balcony-doors
- A few additional components turn the GU system threshold into a floor-flush threshold system
- Available with optional patented additional lock
  - tested security also for 2-sashed elements up to resistance class RC2 according to EN 1627
  - for secure central locking in combination with commercially-available Tilt&Turn hardware
  - Tilt-First version available as option
  - strikers are installed flush with the tread surface
- Simple and easy installation without any additional milling work on the element
- Tightness against driving rain up to class 9A (also with double-leaf doors)
- Good thermal insulation
- Unmodified structural connections in the area of the threshold

## Matching threshold extensions by Veka

- 109660
- 114040
- 114200
- 114041
- 114201
- 114042
- 114203
- 114043
- 114205

## Installation drawing

- 0-48693

Suitable for barrier-free construction in compliance with DIN 18040





## 1 GU system threshold 280 V

| Designation  |                              | Dimensions [mm] | Finish     | PU   | Order number   |
|--------------|------------------------------|-----------------|------------|------|----------------|
| GU SBS 280 V | without roller shutter guide | 82 x 20 x 6000  | EV1 / grey | 30 m | 6-37479-60-0-1 |

## 2 SBS bb levelling profile

| Designation            |  | Length [mm] | Finish | PU     | Order number   |
|------------------------|--|-------------|--------|--------|----------------|
| ZAP1 levelling profile |  | 1200        | grey   | 100 pc | P-02174-12-0-1 |
|                        |  | 2000        | grey   | 40 m   | P-02174-20-0-1 |
|                        |  | 6000        | grey   | 120 m  | P-02174-60-0-1 |

## 3 SBS bb supporting bridge

| Designation            |  | Dimensions [mm] | Finish | PU    | Order number   |
|------------------------|--|-----------------|--------|-------|----------------|
| Z103 supporting bridge |  | -               | grey   | 50 pc | 6-39708-03-0-1 |

## SBS bb support profiles

| Designation |                         | Length [mm] | Finish     | PU     | Order number   |
|-------------|-------------------------|-------------|------------|--------|----------------|
| 4a          | Z114 support profile 14 | 1200        | EV1 / grey | 100 pc | P-02175-12-0-1 |
|             |                         | 2000        | EV1 / grey | 36 pc  | P-02175-20-0-1 |
|             |                         | 6000        | EV1 / grey | 120 m  | P-02175-60-0-1 |
| 4b          | Z120 support profile 20 | 1200        | EV1 / grey | 80 pc  | P-02177-12-0-1 |
|             |                         | 2000        | EV1 / grey | 39 pc  | P-02177-20-0-1 |
|             |                         | 6000        | EV1 / grey | 96 m   | P-02177-60-0-1 |

## Threshold-to-frame connector

| Designation |                                | Dimensions [mm] | Finish | Order number   |                |
|-------------|--------------------------------|-----------------|--------|----------------|----------------|
|             |                                |                 |        | PU = 50 pairs  | PU = 10 pairs  |
| 3900        | for Veka SL 101290, 101293     | 82 x 73         | grey   | 6-35801-01-0H1 | 6-35801-01-0-1 |
| 3905        | for Veka SL 101293 incl. cover | 82 x 73         | grey   | 6-38855-01-0H1 | 6-38855-01-0-1 |
| 3901        | for Veka SL 101291, 101294     | 82 x 83         | grey   | 6-35801-02-0H1 | 6-35801-02-0-1 |
| 3906        | for Veka SL 101294 incl. cover | 82 x 83         | grey   | 6-38855-02-0H1 | 6-38855-02-0-1 |
| 3902        | for Veka SL 101292             | 82 x 106        | grey   | 6-35801-03-0H1 | 6-35801-03-0-1 |

## Threshold-to-mullion connector

| Designation |                            | Dimensions [mm] | Finish | Order number   |                |
|-------------|----------------------------|-----------------|--------|----------------|----------------|
|             |                            |                 |        | PU = 25 pcs    | PU = 10 pcs    |
| 3910        | for Veka SL 102310, 102312 | 82 x 94         | grey   | 6-35802-01-0R1 | 6-35802-01-0-1 |
| 3911        | for Veka SL 102311         | 82 x 124        | grey   | 6-35802-02-0R1 | 6-35802-02-0-1 |

# Veka Softline 82

## GU system threshold 280 V bb



### 5 SBS bb drip rail + end cap

| Designation      |                     | Length [mm] | Finish | PU        | Order number   |
|------------------|---------------------|-------------|--------|-----------|----------------|
| Z203 drip rail   | without accessories | 1200        | EV1    | 30 pc     | P-02191-12-0-1 |
|                  |                     | 6000        | EV1    | 36 m      | P-02191-60-0-1 |
| ZE203 end cap WS | for Z203 drip rail  | -           | grey   | 100 pairs | 9-51251-01-0-1 |

### 6 SBS bb lowerable gasket incl. run-up stop

| Designation            | SRW [mm]  | Dimensions [mm] | Finish     | PU   | Order number   |
|------------------------|-----------|-----------------|------------|------|----------------|
| ZAD3 lowerable gasket  | 220-335   | 18 x 13 x 335   | EV1 / grey | 5 pc | H-01868-03-0-0 |
| ZAD4 lowerable gasket  | 336-460   | 18 x 13 x 460   | EV1 / grey | 5 pc | H-01868-04-0-0 |
| ZAD5 lowerable gasket  | 461-585   | 18 x 13 x 585   | EV1 / grey | 5 pc | H-01868-05-0-0 |
| ZAD7 lowerable gasket  | 586-710   | 18 x 13 x 710   | EV1 / grey | 5 pc | H-01868-07-0-0 |
| ZAD8 lowerable gasket  | 711-835   | 18 x 13 x 835   | EV1 / grey | 5 pc | H-01868-08-0-0 |
| ZAD9 lowerable gasket  | 836-960   | 18 x 13 x 960   | EV1 / grey | 5 pc | H-01868-09-0-0 |
| ZAD10 lowerable gasket | 961-1085  | 18 x 13 x 1085  | EV1 / grey | 5 pc | H-01868-10-0-0 |
| ZAD12 lowerable gasket | 1086-1210 | 18 x 13 x 1210  | EV1 / grey | 5 pc | H-01868-12-0-0 |

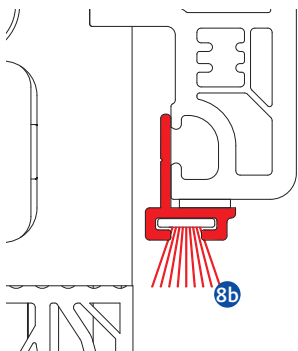
### Lip and brush seals

| Designation         |   | Dimensions [mm]  | Finish | PU     | Order number   |
|---------------------|---|------------------|--------|--------|----------------|
| 7                   | Lip seal                                    | 6 x 9 x 1100     | grey   | 100 pc | P-01922-01-0-1 |
| Not illustrated     | Brush seal, short, self-adhesive            | 12 x 8 x 27      | grey   | 100 pc | 9-49373-01-0-1 |
| 8a                  | Brush seal, self-adhesive                   | 12 x 10 x 1200   | grey   | 100 pc | H-01884-12-0-1 |
| Alternative for 8a: |   |                  |        |        |                |
| 8b                  | SBS bb Z-17315 brush seal 4P                | 6.7 x 8 x 1200   | grey   | 100 pc | 9-51903-12-0-0 |
|                     | SBS bb Z290 mounting profile, self-adhesive | 10.6 x 15 x 1200 | grey   | 100 pc | 6-40502-12-0-1 |

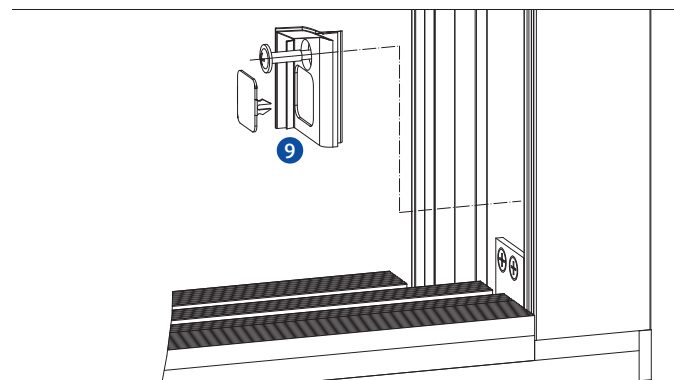
### 9 SBS bb rebate seal

| Designation                          | Dimensions [mm] | Finish | PU        | Order number   |
|--------------------------------------|-----------------|--------|-----------|----------------|
| Z400 rebate seal, incl. fixing screw | -               | grey   | 100 pairs | 6-39768-30-0-1 |

Brush seal with mounting profile



Rebate seal





## Accessories for 2-sash elements

### **11** Dummy mullion sealing element with SBS bb dummy mullion adapter

| Designation  | Finish | PU   | Order number   |
|--|--------|------|----------------|
| ZS03 dummy mullion sealing element with dummy mullion adapter  | grey   | 5 pc | K-20094-02-0-1 |
| Contains: 1 x dummy mullion sealing element, 1 x dummy mullion adapter, 1 x sealing lip for supporting bridge, 3 x fixing screws |        |      |                |

## Additional accessories

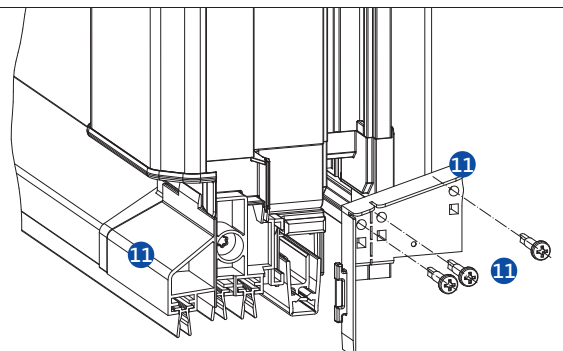
### Support plate

| Designation                          | Finish | PU     | Order number   |
|--------------------------------------|--------|--------|----------------|
| Support plate (sash hardware groove) | grey   | 100 pc | 9-35697-00-0-1 |

### Additional locks / strikers

| Designation  |            |             | Finish     | PU   | Order number   |                |
|--|------------|-------------|------------|------|----------------|----------------|
|  |            |             |            |      | DIN LH         | DIN RH         |
| Additional lock SBS bb                                       | Tilt&Turn  | 2 deadbolts | galvanised | 1 pc | 6-39650-01-0-1 |                |
| Additional lock TF SBS bb                                    | Tilt-First | 1 deadbolt  | galvanised | 1 pc | 6-39650-02-L-1 | 6-39650-02-R-1 |
| Additional lock TU-ON SBS bb for ventilation restrictor-stay |            | 1 deadbolt  | galvanised | 1 pc | 6-39650-03-L-1 | 6-39650-03-R-1 |
| SBS bb striker   |            |             | galvanised | 1 pc | 9-51019-12-0-1 |                |
|  |            |             | galvanised | 1 pc | 9-51019-13-0-1 |                |
| Drilling jig for additional locks                            |            |             |            | 1 pc | 6-39804-01-0-1 |                |

Dummy mullion sealing element with dummy mullion adapter









## GU system thresholds for timber elements

### Ordering made easy

|   |     |
|---|-----|
| GU system solutions with impact gasket  | 124 |
| GU system solutions with central gasket | 125 |

### System overviews

|  |     |
|--|-----|
| GU system thresholds – impact gasket                   | 126 |
| GU system thresholds bb – impact gasket – system IV 78 | 128 |
| GU system thresholds bb – impact gasket – system IV 88 | 132 |
| GU system thresholds – central gasket                  | 136 |

# System solutions for timber elements







# GU system solutions with impact gasket ('AD')

Ordering made easy



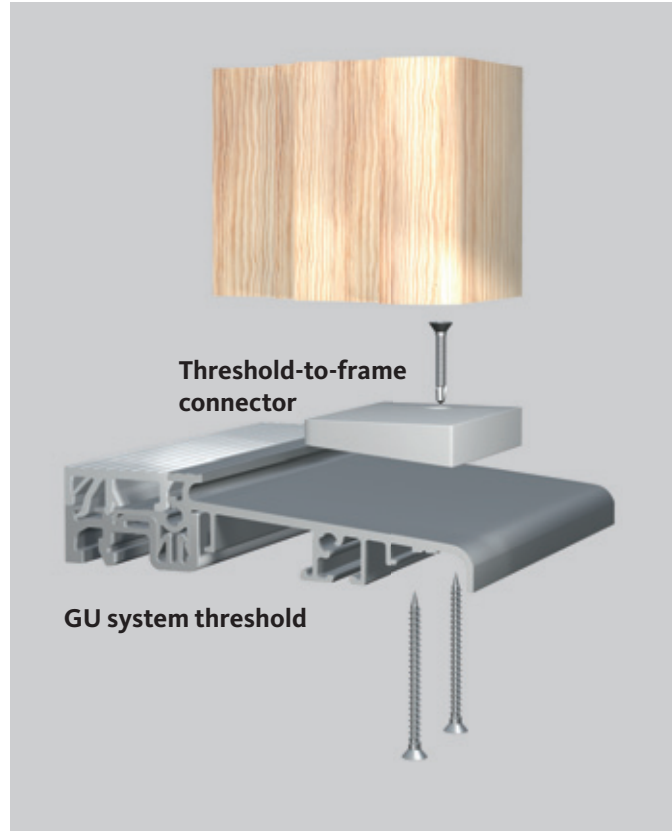
## Overview of components

### Installation of threshold with impact gasket

Various available depths and the possibility to connect height extension profiles make the threshold suitable for use both in new construction and renovation. Strikers can be installed in a specially designed area. Installation is facilitated by intelligently designed accessories. Profile cutting and the related tools are not required. The threshold makes it possible to install door elements so they comply with the relevant standards and regulations.

### Benefits:

- Suitable for barrier-free construction in compliance with DIN 18040
- Connection of customer-supplied sub-base profiles possible, e.g. extension profiles for installation in new buildings
- 20 mm installation height due to strikers being flush with the cover
- Suitable for use with strikers for 9 and 13 mm hardware axis
- Strikers are screwed through the aluminium profile
- Cutting the frame profiles is not necessary
- Adapter plates allow for the convenient connection of frame and threshold
- Use of UV-resistant materials
- Adapters for connection with adjacent sidelights
- For proper structural sealing as required by the standards, the threshold features a groove to insert the anti-moisture foil (snap-in attachment)



## Ordering made easy

You can find the right threshold-to-frame connector for each profile system in the Chapter "GU system thresholds for timber elements".

**Product characteristics**

- For use at house entrance and balcony doors
- GU system is installed flush with the floor surface
- Connection threshold-to-frame / threshold-to-mullion connection
- Simple connection by means of system-specific extension profiles
- Thermal break with PU-profile
- No condensation on the inside
- Good thermal insulation

**GU system thresholds – impact gasket**

**GU system threshold AD (impact gasket)**

| Designation | Dimension (mm) | Stroke | PU   | Order number   |
|-------------|----------------|--------|------|----------------|
| 4070        | 68             | 20     | grey | 9-45168-00-0H1 |
| 4070-1      | 68             | 20     | grey | 9-45168-00-0-1 |
| 4071        | 100            | 20     | grey | 9-45168-00-0H1 |
| 4071-1      | 100            | 20     | grey | 9-45168-00-0-1 |

**Universal threshold-to-frame connector for mounting of the threshold on frame and mullion**

| Designation | for door leaf thickness [mm] | Dimensions [mm] | Finish | PU     | Order number   |
|-------------|------------------------------|-----------------|--------|--------|----------------|
| 4070        | 68                           | 100 x 33        | grey   | 50 pc  | 9-45168-00-0H1 |
| 4070-1      | 68                           | 100 x 33        | grey   | 10 pc  | 9-45168-00-0-1 |
| 4071        | 100                          | 100 x 33        | grey   | 100 pc | 9-45168-01-0H1 |



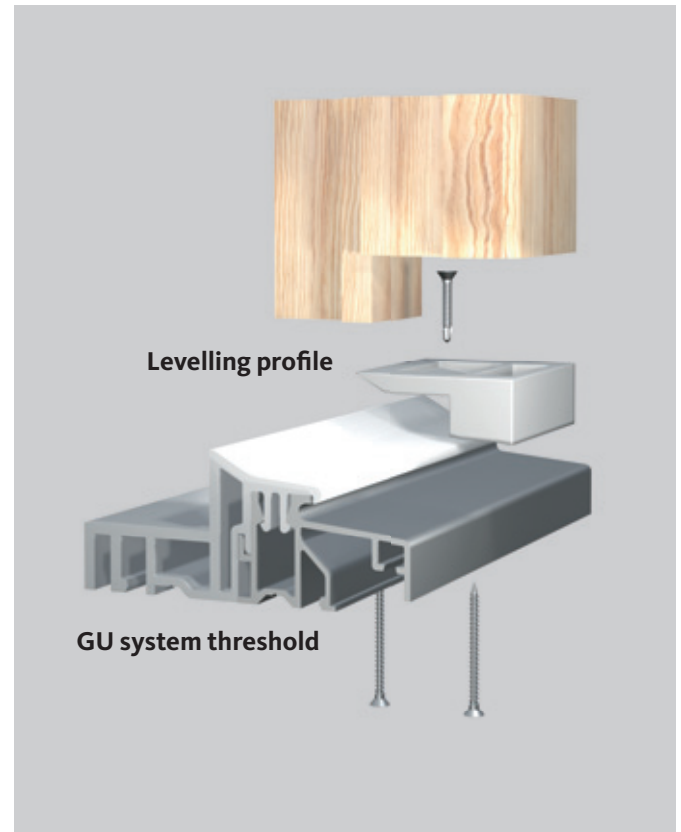
## Overview of components

### Installation of threshold with central gasket

This thermally-broken threshold system makes the installation of timber elements with central gasket easy. It is available with different frame rebate dimensions and depths, so it can be used for many different timber systems with central gasket. In conjunction with extension profiles, the threshold can be used in new-build and renovation projects. Strikers can be securely screwed into the specially designed rebate area of the threshold. Further accessories enable fast installation and compliance with the prevailing standards and regulations.

#### Benefits:

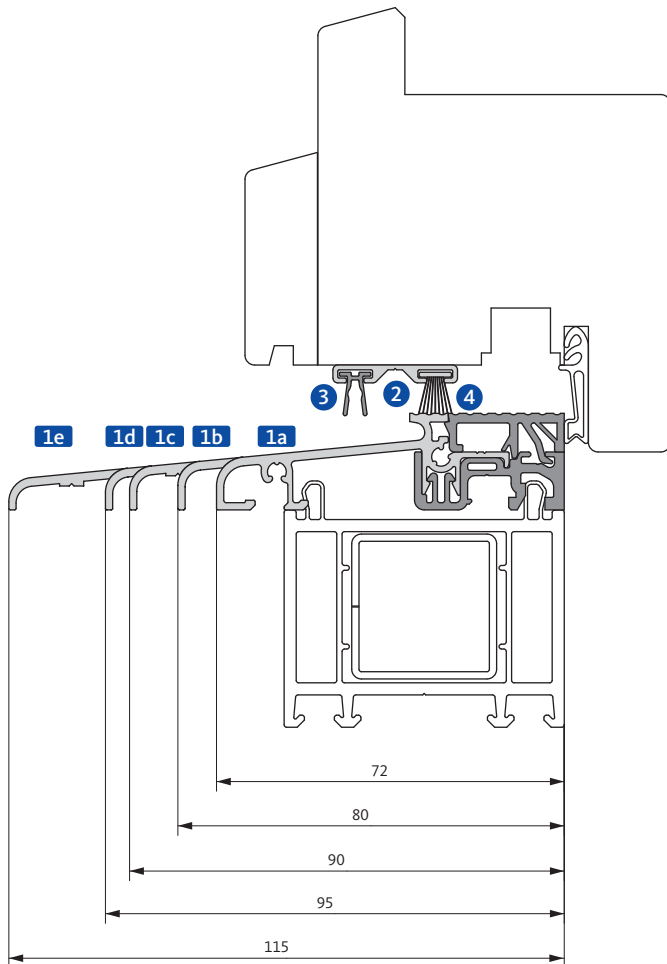
- CE-certified
- Suitable for barrier-free construction in compliance with DIN 18040
- Connection of customer-supplied sub-base profiles possible, e.g. extension profiles for installation in new buildings
- Suitable for use with strikers for 9 and 13 mm hardware axis
- Comfortable threshold-to-frame connection by means of appropriate adapters
- Use of UV-resistant materials
- For proper structural sealing as required by the standards, the threshold features a groove to insert the anti-moisture foil (snap-in attachment)



## Ordering made easy

To find the right GU system threshold for your rebate dimension, refer to pages 136 to 139.

# GU system thresholds – impact gasket



## Product characteristics

- For use at house entrance and balcony-doors
- GU strikers are installed flush with the tread surface
- Convenient threshold-to-frame / threshold-to-mullion connection
- Bottom connection by means of system-specific extension profiles
- Thermal break with PVC profiles
- No condensation on the inside
- Good thermal insulation



## 1 GU system threshold AD (impact gasket)

| Designation                         | Dimensions [mm] | Finish     | PU   | Order number   |
|-------------------------------------|-----------------|------------|------|----------------|
| <b>1a</b> GU system threshold 216 V | 72 x 20 x 6000  | EV1 / grey | 30 m | 6-37950-60-0-1 |
| <b>1b</b> GU system threshold 230 V | 80 x 20 x 6000  | EV1 / grey | 30 m | 6-37952-60-0-1 |
| <b>1c</b> GU system threshold 231 V | 90 x 20 x 6000  | EV1 / grey | 30 m | 6-37953-60-0-1 |
| <b>1d</b> GU system threshold 232 V | 95 x 20 x 6000  | EV1 / grey | 30 m | 6-37954-60-0-1 |
| <b>1e</b> GU system threshold 233 V | 115 x 20 x 6000 | EV1 / grey | 30 m | 6-37955-60-0-1 |

## Universal threshold-to-frame connector for mounting of the threshold on frame and mullion

| Designation | for door leaf thickness [mm] | Dimensions [mm] | Finish | PU     | Order number   |
|-------------|------------------------------|-----------------|--------|--------|----------------|
| 4070        | 68                           | 100 x 33        | grey   | 50 pc  | 9-45168-00-0H1 |
| 4070-1      |                              |                 |        | 10 pc  | 9-45168-00-0-1 |
| 4071        | 78                           | 120 x 46        | grey   | 100 pc | 9-45958-01-0H1 |
| 4071-1      |                              |                 |        | 10 pc  | 9-45958-01-0-1 |
| 4072        | 110                          | 120 x 78        | grey   | 100 pc | 9-45958-02-0H1 |
| 4072-1      |                              |                 |        | 10 pc  | 9-45958-02-0-1 |

## 2 Weather profile 264

| Designation         | Dimensions [mm] per piece | Finish | PU   | Order number   |
|---------------------|---------------------------|--------|------|----------------|
| Weather profile 264 | 25.8 x 3.7 x 2000         | EV1    | 30 m | P-02009-20-0-1 |

## Lip and brush seal for drip rail

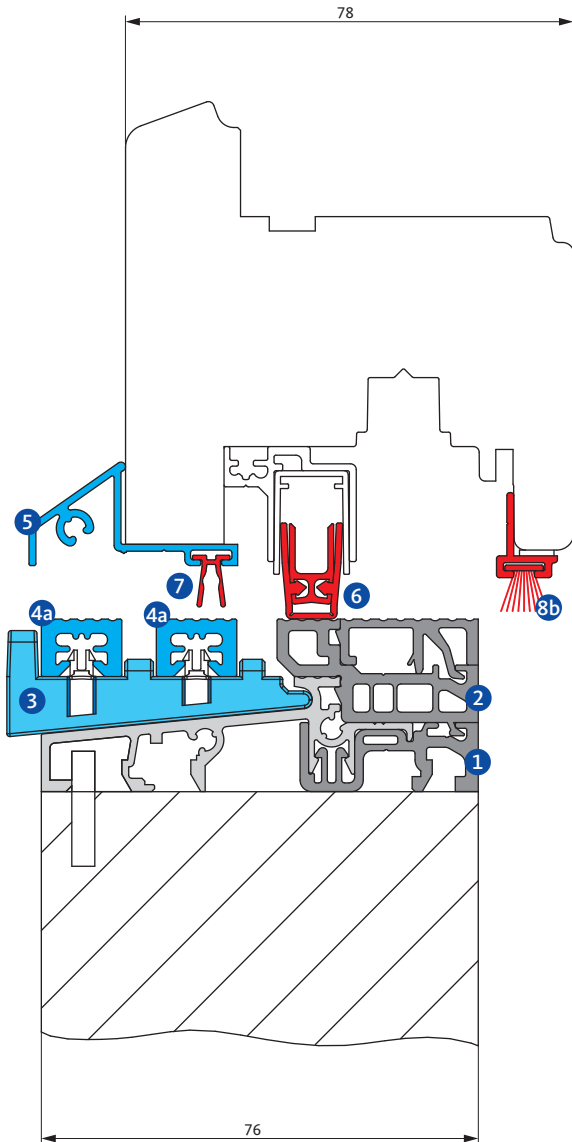
| Designation         | Dimensions [mm] | Finish | PU     | Order number   |
|---------------------|-----------------|--------|--------|----------------|
| <b>3</b> Lip seal   | 6 x 9 x 1100    | grey   | 100 pc | P-01922-01-0-1 |
| <b>4</b> Brush seal | 10              | grey   | 150 m  | H-01159-00-0-1 |

## Levelling profile for frame or mullion

| Designation             | Dimensions [mm] | Finish | PU    | Order number   |
|-------------------------|-----------------|--------|-------|----------------|
| HAP 6 levelling profile | 47 x 10 x 2000  | grey   | 10 pc | P-02064-20-0-1 |

# GU system thresholds bb – impact gasket

System IV 78



## Product characteristics

- For use at house entrance and balcony-doors
- A few additional components turn the GU system threshold into a floor-flush threshold system
- Available with optional patented additional lock
  - tested security also for 2-sashed elements up to resistance class RC2 according to EN 1627
  - for secure central locking in combination with commercially-available Tilt&Turn hardware
  - Tilt-First version available as option
  - strikers are installed flush with the tread surface
- Simple and easy installation without any additional milling work on the element
- Tightness against driving rain up to class 9A (also with double-leaf doors)
- Good thermal insulation
- Unmodified structural connections in the area of the threshold

## Installation drawing

- 0-48587, 0-48700

Suitable for barrier-free construction in compliance with DIN 18040







### 1 GU system threshold 272 V

| Designation  |                              | Dimensions [mm] | Finish     | PU   | Order number   |
|--------------|------------------------------|-----------------|------------|------|----------------|
| GU SBS 272 V | without roller shutter guide | 76 x 20 x 6000  | EV1 / grey | 30 m | 6-38783-60-0-1 |

### 2 SBS bb levelling profile

| Designation            | Length [mm] | Finish | PU     | Order number   |
|------------------------|-------------|--------|--------|----------------|
| ZAP1 levelling profile | 1200        | grey   | 100 pc | P-02174-12-0-1 |
|                        | 2000        | grey   | 40 m   | P-02174-20-0-1 |
|                        | 6000        | grey   | 120 m  | P-02174-60-0-1 |

### 3 SBS bb supporting bridge

| Designation            | Dimensions [mm] | Finish | PU    | Order number   |
|------------------------|-----------------|--------|-------|----------------|
| Z101 supporting bridge | –               | grey   | 50 pc | 6-39708-01-0-1 |

### 4a SBS bb support profile

| Designation             | Length [mm] | Finish     | PU     | Order number   |
|-------------------------|-------------|------------|--------|----------------|
| Z114 support profile 14 | 1200        | EV1 / grey | 100 pc | P-02175-12-0-1 |
|                         | 2000        | EV1 / grey | 36 pc  | P-02175-20-0-1 |
|                         | 6000        | EV1 / grey | 120 m  | P-02175-60-0-1 |

### Levelling profile for frame or mullion

| Designation             | Dimensions [mm] | Finish | PU    | Order number   |
|-------------------------|-----------------|--------|-------|----------------|
| HAP 6 levelling profile | 47 x 10 x 2000  | grey   | 10 pc | P-02064-20-0-1 |

### 5 Drip rail + end cap

| Designation    |                     | Dimensions [mm]  | Finish | PU        | Order number   |
|----------------|---------------------|------------------|--------|-----------|----------------|
| Drip rail 242g | without accessories | 44.5 x 18 x 6000 | EV1    | 60 m      | 6-35266-60-0-1 |
| End cap 242    | for drip rail 242g  | –                | grey   | 100 pairs | 9-46028-00-0-1 |
| Drip rail 241g | without accessories | 46.5 x 25 x 6000 | EV1    | 60 m      | 6-35265-60-0-1 |
| End cap 244    | for drip rail 241g  | –                | grey   | 100 pairs | 9-46029-00-0-1 |

### SBS bb U-profile lowerable gasket + end cap

| Designation                      |                                      | Dimensions [mm] | Finish | PU        | Order number   |
|----------------------------------|--------------------------------------|-----------------|--------|-----------|----------------|
| Z204 U-profile, lowerable gasket |                                      | 1200            | EV1    | 30 pc     | P-02201-12-0-1 |
|                                  |                                      | 6000            | EV1    | 36 m      | P-02201-60-0-1 |
| ZE204D end cap                   | for Z204 U-profile, lowerable gasket | –               | grey   | 100 pairs | 9-51376-01-0-1 |

### Weather profile 264

| Designation         | Dimensions [mm]   | Finish | PU   | Order number   |
|---------------------|-------------------|--------|------|----------------|
| Weather profile 264 | 25.8 x 3.7 x 2000 | EV1    | 30 m | P-02009-20-0-1 |

# GU system thresholds bb – impact gasket

## System IV 78



### 6 SBS bb lowerable gasket incl. run-up stop

| Designation            | SRW [mm]  | Dimensions [mm] | Finish     | PU   | Order number   |
|------------------------|-----------|-----------------|------------|------|----------------|
| ZAD3 lowerable gasket  | 220-335   | 18 x 13 x 335   | EV1 / grey | 5 pc | H-01868-03-0-0 |
| ZAD4 lowerable gasket  | 336-460   | 18 x 13 x 460   | EV1 / grey | 5 pc | H-01868-04-0-0 |
| ZAD5 lowerable gasket  | 461-585   | 18 x 13 x 585   | EV1 / grey | 5 pc | H-01868-05-0-0 |
| ZAD7 lowerable gasket  | 586-710   | 18 x 13 x 710   | EV1 / grey | 5 pc | H-01868-07-0-0 |
| ZAD8 lowerable gasket  | 711-835   | 18 x 13 x 835   | EV1 / grey | 5 pc | H-01868-08-0-0 |
| ZAD9 lowerable gasket  | 836-960   | 18 x 13 x 960   | EV1 / grey | 5 pc | H-01868-09-0-0 |
| ZAD10 lowerable gasket | 961-1085  | 18 x 13 x 1085  | EV1 / grey | 5 pc | H-01868-10-0-0 |
| ZAD12 lowerable gasket | 1086-1210 | 18 x 13 x 1210  | EV1 / grey | 5 pc | H-01868-12-0-0 |
| ZAD13 lowerable gasket | 1211-1335 | 18 x 13 x 1335  | EV1 / grey | 5 pc | H-01868-13-0-0 |
| ZAD14 lowerable gasket | 1336-1460 | 18 x 13 x 1460  | EV1 / grey | 5 pc | H-01868-14-0-0 |

### Mounting set for lowerable gasket

| Designation                       | Dimensions [mm] | Finish                | PU       | Order number   |
|-----------------------------------|-----------------|-----------------------|----------|----------------|
| ZAM mounting set for timber doors | –               | satin stainless steel | Set of 1 | H-01887-00-0-0 |

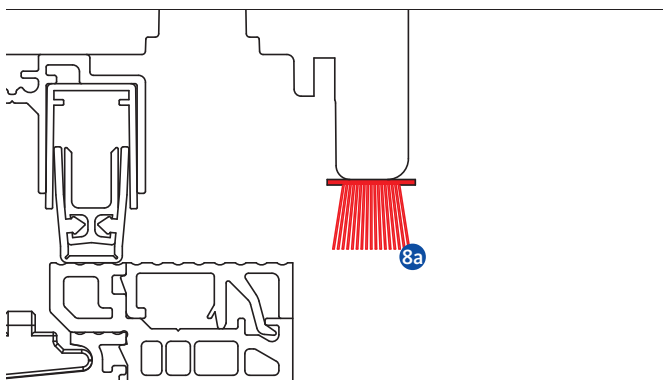
### Lip and brush seals

| Designation                                 | Dimensions [mm]  | Finish | PU     | Order number   |
|---|------------------|--------|--------|----------------|
| <b>7</b> Lip seal                           | 6 x 9 x 1100     | grey   | 100 pc | P-01922-01-0-1 |
| <b>8a</b> Brush seal, self-adhesive         | 12 x 10 x 1200   | grey   | 100 pc | H-01884-12-0-1 |
| Alternative for 8a:                         |                  |        |        |                |
| <b>8b</b> SBS bb Z-17315 brush seal 4P      | 6.7 x 8 x 1200   | grey   | 100 pc | 9-51903-12-0-0 |
| SBS bb Z290 mounting profile, self-adhesive | 10.6 x 15 x 1200 | grey   | 100 pc | 6-40502-12-0-1 |

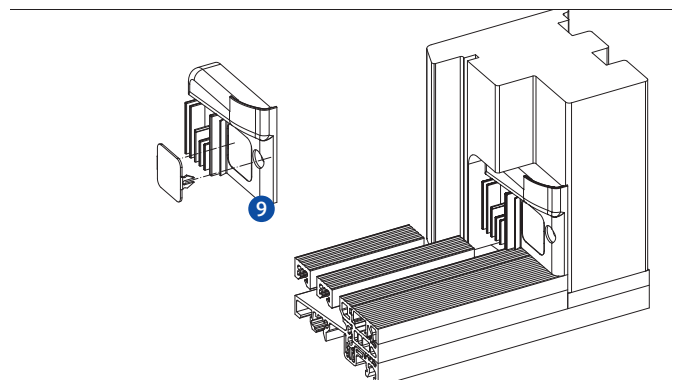
### 9 SBS bb rebate seal

| Designation      | Dimensions [mm] | Finish | PU        | Order number   |
|------------------|-----------------|--------|-----------|----------------|
| Z404 rebate seal | –               | grey   | 100 pairs | 9-51414-01-0-1 |

#### Brush seal, self-adhesive



#### Rebate seal





## Accessories for 2-sash elements

### **11** Dummy mullion sealing element with SBS bb dummy mullion adapter

| Designation  | Finish | PU   | Order number   |
|--|--------|------|----------------|
| ZS04 dummy mullion sealing element with dummy mullion adapter  | grey   | 5 pc | K-20094-09-0-1 |
| Contains: 1 x dummy mullion sealing element, 1 x dummy mullion adapter, 1 x sealing lip for supporting bridge, 3 x fixing screws |        |      |                |

## Additional accessories

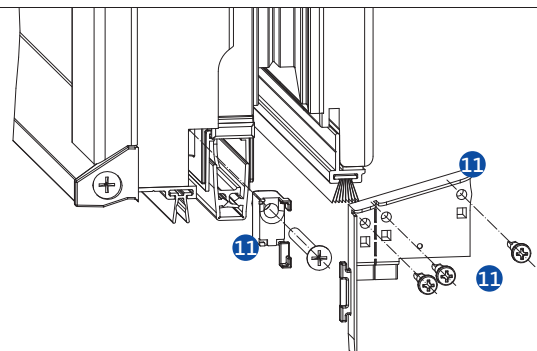
### Support plate

| Designation                          | Finish | PU     | Order number   |
|--------------------------------------|--------|--------|----------------|
| Support plate (sash hardware groove) | grey   | 100 pc | 9-35697-00-0-1 |

### Additional locks / strikers

| Designation  |            |             | Finish     | PU   | Order number   |                |
|--|------------|-------------|------------|------|----------------|----------------|
|  |            |             |            |      | DIN LH         | DIN RH         |
| Additional lock SBS bb                                       | Tilt&Turn  | 2 deadbolts | galvanised | 1 pc | 6-39650-01-0-1 |                |
| Additional lock TF SBS bb                                    | Tilt-First | 1 deadbolt  | galvanised | 1 pc | 6-39650-02-L-1 | 6-39650-02-R-1 |
| Additional lock TU-ON SBS bb for ventilation restrictor-stay |            | 1 deadbolt  | galvanised | 1 pc | 6-39650-03-L-1 | 6-39650-03-R-1 |
| SBS bb striker   |            |             | galvanised | 1 pc | 9-51019-12-0-1 |                |
|  |            |             | galvanised | 1 pc | 9-51019-13-0-1 |                |
| Drilling jig for additional locks                            |            |             |            | 1 pc | 6-39804-01-0-1 |                |
| Milling jig for additional locks                             |            |             |            | 1 pc | 6-40148-01-0-1 |                |
| Milling cutter with guide ring                               |            |             |            | 1 pc | 6-34795-00-0-0 |                |

Dummy mullion sealing element with dummy mullion adapter

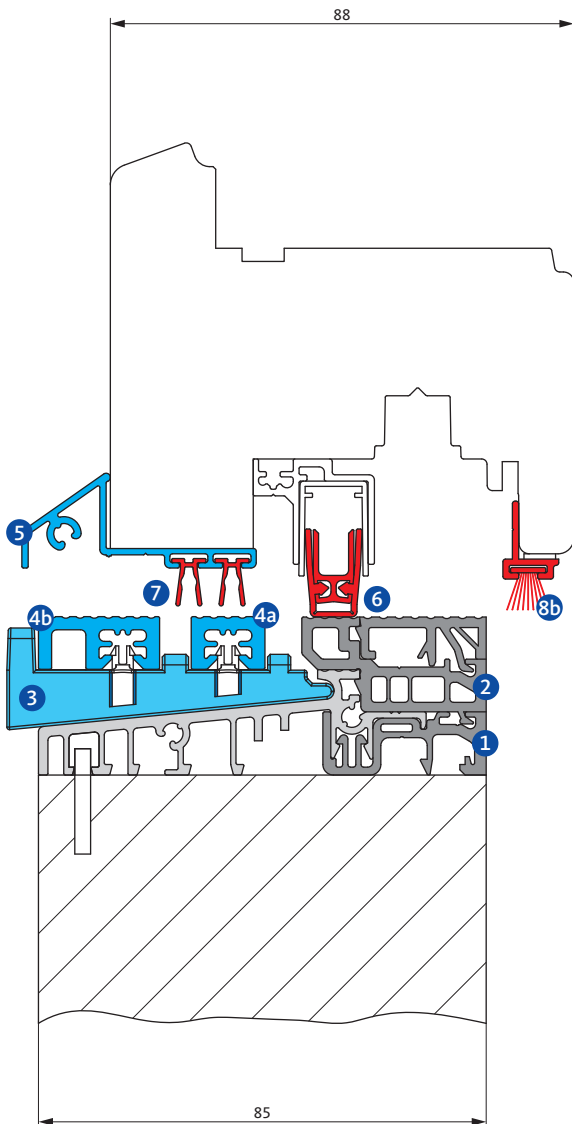


# GU system thresholds bb – impact gasket

System IV 88



**GU**



## Product characteristics

- For use at house entrance and balcony-doors
- A few additional components turn the GU system threshold into a floor-flush threshold system
- Available with optional patented additional lock
  - tested security also for 2-sashed elements up to resistance class RC2 according to EN 1627
  - for secure central locking in combination with commercially-available Tilt&Turn hardware
  - Tilt-First version available as option
  - strikers are installed flush with the tread surface
- Simple and easy installation without any additional milling work on the element
- Tightness against driving rain up to class 9A (also with double-leaf doors)
- Good thermal insulation
- Unmodified structural connections in the area of the threshold

## Installation drawing

- 0-48930

Suitable for barrier-free construction in compliance with DIN 18040





### 1 GU system threshold 227 V

| Designation  | Dimensions [mm]              | Finish         | PU         | Order number |                |
|--------------|------------------------------|----------------|------------|--------------|----------------|
| GU SBS 227 V | without roller shutter guide | 85 x 20 x 5800 | EV1 / grey | 29 m         | 6-38009-58-0-1 |

### 2 SBS bb levelling profile

| Designation            | Length [mm] | Finish | PU     | Order number   |
|------------------------|-------------|--------|--------|----------------|
| ZAP1 levelling profile | 1200        | grey   | 100 pc | P-02174-12-0-1 |
|                        | 2000        | grey   | 40 m   | P-02174-20-0-1 |
|                        | 6000        | grey   | 120 m  | P-02174-60-0-1 |

### 3 SBS bb supporting bridge

| Designation            | Dimensions [mm] | Finish | PU    | Order number   |
|------------------------|-----------------|--------|-------|----------------|
| Z104 supporting bridge | –               | grey   | 50 pc | 6-39708-04-0-1 |

### SBS bb support profiles

| Designation                | Length [mm] | Finish     | PU     | Order number   |
|----------------------------|-------------|------------|--------|----------------|
| 4a Z114 support profile 14 | 1200        | EV1 / grey | 100 pc | P-02175-12-0-1 |
|                            | 2000        | EV1 / grey | 36 pc  | P-02175-20-0-1 |
|                            | 6000        | EV1 / grey | 120 m  | P-02175-60-0-1 |
| 4b Z123 support profile 23 | 1200        | EV1 / grey | 70 pc  | P-02178-12-0-1 |
|                            | 2000        | EV1 / grey | 36 pc  | P-02178-20-0-1 |
|                            | 6000        | EV1 / grey | 84 m   | P-02178-60-0-1 |

### Levelling profile for frame or mullion

| Designation             | Dimensions [mm] | Finish | PU    | Order number   |
|-------------------------|-----------------|--------|-------|----------------|
| HAP 6 levelling profile | 47 x 10 x 2000  | grey   | 10 pc | P-02064-20-0-1 |

### 5 Drip rail 242 + end cap 242

| Designation    | Dimensions [mm]     | Finish           | PU   | Order number |                |
|----------------|---------------------|------------------|------|--------------|----------------|
| Drip rail 242g | without accessories | 44.5 x 18 x 6000 | EV1  | 60 m         | 6-35266-60-0-1 |
| End cap 242    | for drip rail 242g  | –                | grey | 100 pairs    | 9-46028-00-0-1 |

### SBS bb U-profile lowerable gasket + end cap

| Designation                      | Dimensions [mm]                      | Finish | PU    | Order number   |                |
|----------------------------------|--------------------------------------|--------|-------|----------------|----------------|
| Z204 U-profile, lowerable gasket | 1200                                 | EV1    | 30 pc | P-02201-12-0-1 |                |
|                                  | 6000                                 | EV1    | 36 m  | P-02201-60-0-1 |                |
| ZE204D end cap                   | for Z204 U-profile, lowerable gasket | –      | grey  | 100 pairs      | 9-51376-01-0-1 |

### Weather profile 264

| Designation         | Dimensions [mm]   | Finish | PU   | Order number   |
|---------------------|-------------------|--------|------|----------------|
| Weather profile 264 | 25.8 x 3.7 x 2000 | EV1    | 30 m | P-02009-20-0-1 |

# GU system thresholds bb – impact gasket

## System IV 88



### 6 SBS bb lowerable gasket incl. run-up stop

| Designation            | SRW [mm]  | Dimensions [mm] | Finish     | PU   | Order number   |
|------------------------|-----------|-----------------|------------|------|----------------|
| ZAD3 lowerable gasket  | 220-335   | 18 x 13 x 335   | EV1 / grey | 5 pc | H-01868-03-0-0 |
| ZAD4 lowerable gasket  | 336-460   | 18 x 13 x 460   | EV1 / grey | 5 pc | H-01868-04-0-0 |
| ZAD5 lowerable gasket  | 461-585   | 18 x 13 x 585   | EV1 / grey | 5 pc | H-01868-05-0-0 |
| ZAD7 lowerable gasket  | 586-710   | 18 x 13 x 710   | EV1 / grey | 5 pc | H-01868-07-0-0 |
| ZAD8 lowerable gasket  | 711-835   | 18 x 13 x 835   | EV1 / grey | 5 pc | H-01868-08-0-0 |
| ZAD9 lowerable gasket  | 836-960   | 18 x 13 x 960   | EV1 / grey | 5 pc | H-01868-09-0-0 |
| ZAD10 lowerable gasket | 961-1085  | 18 x 13 x 1085  | EV1 / grey | 5 pc | H-01868-10-0-0 |
| ZAD12 lowerable gasket | 1086-1210 | 18 x 13 x 1210  | EV1 / grey | 5 pc | H-01868-12-0-0 |
| ZAD13 lowerable gasket | 1211-1335 | 18 x 13 x 1335  | EV1 / grey | 5 pc | H-01868-13-0-0 |
| ZAD14 lowerable gasket | 1336-1460 | 18 x 13 x 1460  | EV1 / grey | 5 pc | H-01868-14-0-0 |

### Mounting set for lowerable gasket

| Designation                       | Dimensions [mm] | Finish                | PU       | Order number   |
|-----------------------------------|-----------------|-----------------------|----------|----------------|
| ZAM mounting set for timber doors | -               | satin stainless steel | Set of 1 | H-01887-00-0-0 |

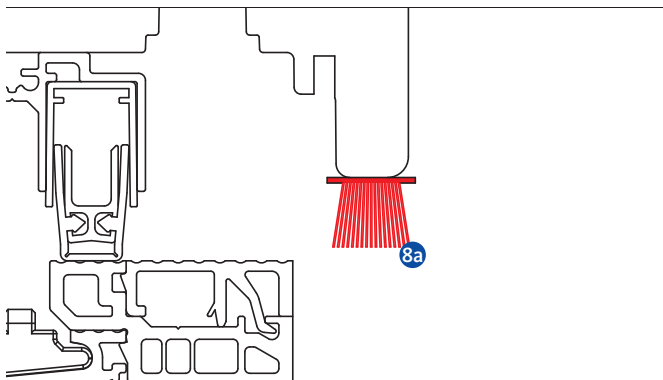
### Lip and brush seals

| Designation                                 | Dimensions [mm]  | Finish | PU     | Order number   |
|---|------------------|--------|--------|----------------|
| <b>7</b> Lip seal                           | 6 x 9 x 1100     | grey   | 100 pc | P-01922-01-0-1 |
| <b>8a</b> Brush seal, self-adhesive         | 12 x 10 x 1200   | grey   | 100 pc | H-01884-12-0-1 |
| Alternative for 8a:                         |                  |        |        |                |
| <b>8b</b> SBS bb Z-17315 brush seal 4P      | 6.7 x 8 x 1200   | grey   | 100 pc | 9-51903-12-0-0 |
| SBS bb Z290 mounting profile, self-adhesive | 10.6 x 15 x 1200 | grey   | 100 pc | 6-40502-12-0-1 |

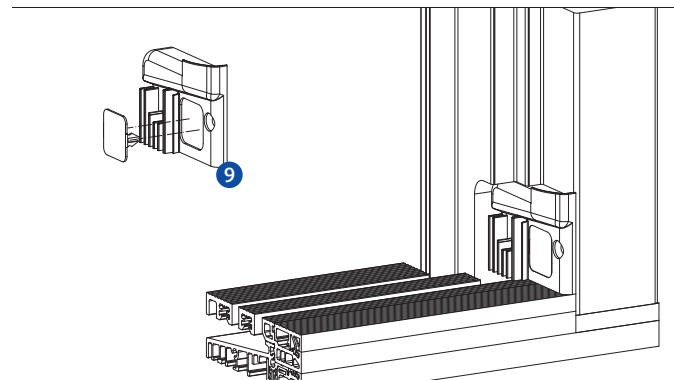
### 9 SBS bb rebate seal

| Designation      | Dimensions [mm] | Finish | PU        | Order number   |
|------------------|-----------------|--------|-----------|----------------|
| Z404 rebate seal | -               | grey   | 100 pairs | 9-51414-01-0-1 |

#### Brush seal, self-adhesive



#### Rebate seal





### Accessories for 2-sash elements

#### **11** Dummy mullion sealing element with SBS bb dummy mullion adapter

| Designation  | Finish | PU   | Order number   |
|--|--------|------|----------------|
| ZS04 dummy mullion sealing element with dummy mullion adapter  | grey   | 5 pc | K-20094-09-0-1 |
| Contains: 1 x dummy mullion sealing element, 1 x dummy mullion adapter, 1 x sealing lip for supporting bridge, 3 x fixing screws |        |      |                |

### Additional accessories

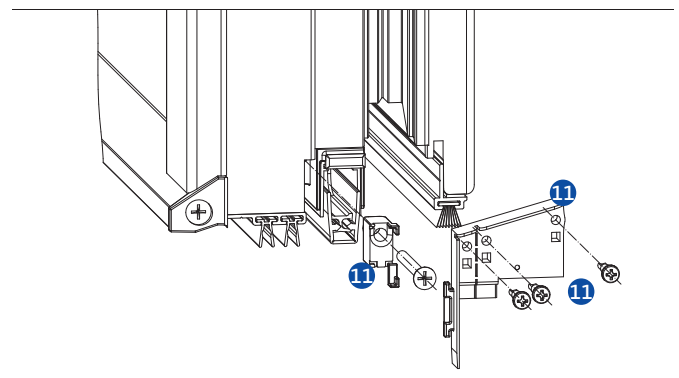
#### Support plate

| Designation                          | Finish | PU     | Order number   |
|--------------------------------------|--------|--------|----------------|
| Support plate (sash hardware groove) | grey   | 100 pc | 9-35697-00-0-1 |

#### Additional locks / strikers

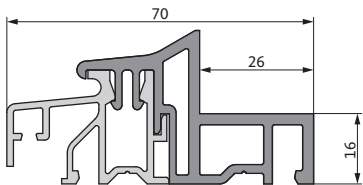
| Designation  |            |             | Finish     | PU   | Order number   |                |
|--|------------|-------------|------------|------|----------------|----------------|
|  |            |             |            |      | DIN LH         | DIN RH         |
| Additional lock SBS bb                                       | Tilt&Turn  | 2 deadbolts | galvanised | 1 pc | 6-39650-01-0-1 |                |
| Additional lock TF SBS bb                                    | Tilt-First | 1 deadbolt  | galvanised | 1 pc | 6-39650-02-L-1 | 6-39650-02-R-1 |
| Additional lock TU-ON SBS bb for ventilation restrictor-stay |            | 1 deadbolt  | galvanised | 1 pc | 6-39650-03-L-1 | 6-39650-03-R-1 |
| SBS bb striker   |            |             | galvanised | 1 pc | 9-51019-12-0-1 |                |
|  |            |             | galvanised | 1 pc | 9-51019-13-0-1 |                |
| Drilling jig for additional locks                            |            |             |            | 1 pc | 6-39804-01-0-1 |                |
| Milling jig for additional locks                             |            |             |            | 1 pc | 6-40148-01-0-1 |                |
| Milling cutter with guide ring                               |            |             |            | 1 pc | 6-34795-00-0-0 |                |

Dummy mullion sealing element with dummy mullion adapter



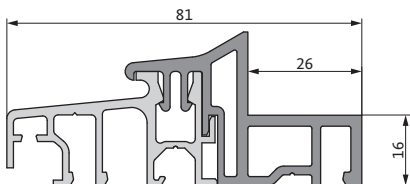
# GU system thresholds – central gasket

Rebate dimension 26 – 30 mm



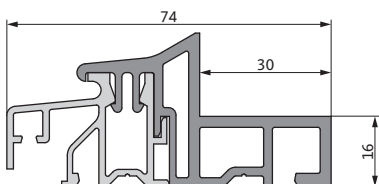
## GU system threshold 234

| Dimensions [mm] | Finish     | PU   | Order number   |
|-----------------|------------|------|----------------|
| 70 x 35 x 6000  | EV1 / grey | 30 m | 6-34892-60-0-1 |



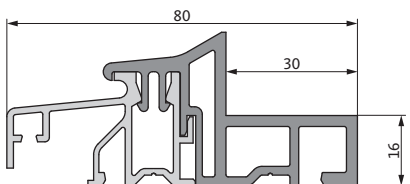
## GU system threshold 284

| Dimensions [mm] | Finish     | PU   | Order number   |
|-----------------|------------|------|----------------|
| 81 x 35 x 6000  | EV1 / grey | 24 m | 6-35650-60-0-1 |



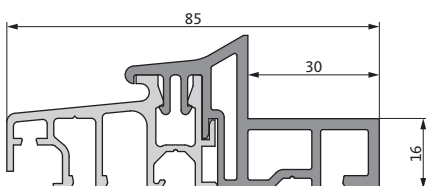
## GU system threshold 299

| Dimensions [mm] | Finish     | PU   | Order number   |
|-----------------|------------|------|----------------|
| 74 x 35 x 6000  | EV1 / grey | 30 m | 6-37147-60-0-1 |



## GU system threshold 235

| Dimensions [mm] | Finish     | PU   | Order number   |
|-----------------|------------|------|----------------|
| 80 x 35 x 6000  | EV1 / grey | 30 m | 6-34893-60-0-1 |



## GU system threshold 294

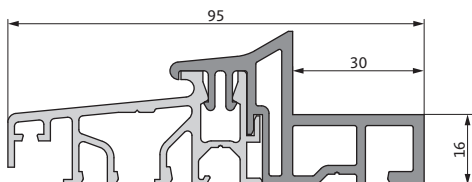
| Dimensions [mm] | Finish     | PU   | Order number   |
|-----------------|------------|------|----------------|
| 85 x 35 x 6000  | EV1 / grey | 24 m | 6-37432-60-0-1 |

You can find matching accessory parts for the GU system thresholds with central gasket 'MD' from page 167.



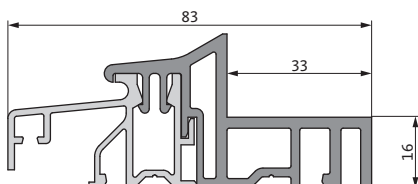
# GU system thresholds – central gasket

Rebate dimension 30 – 40 mm



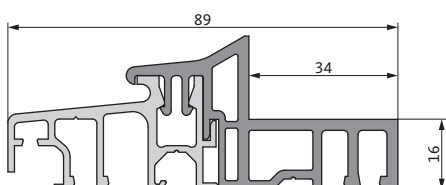
## GU system threshold 626

| Dimensions [mm] | Finish     | PU   | Order number   |
|-----------------|------------|------|----------------|
| 95 x 35 x 6000  | EV1 / grey | 24 m | 6-37966-60-0-1 |



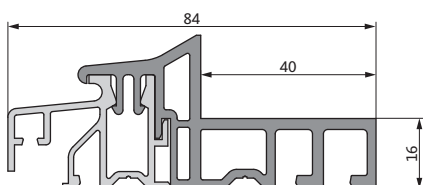
## GU system threshold 236

| Dimensions [mm] | Finish     | PU   | Order number   |
|-----------------|------------|------|----------------|
| 83 x 35 x 6000  | EV1 / grey | 24 m | 6-35017-60-0-1 |



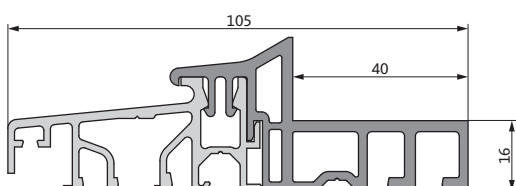
## GU system threshold 283

| Dimensions [mm] | Finish     | PU   | Order number   |
|-----------------|------------|------|----------------|
| 89 x 35 x 6000  | EV1 / grey | 24 m | 6-35649-60-0-1 |



## GU system threshold 287

| Dimensions [mm] | Finish     | PU   | Order number   |
|-----------------|------------|------|----------------|
| 84 x 35 x 6000  | EV1 / grey | 18 m | 6-35868-60-0-1 |



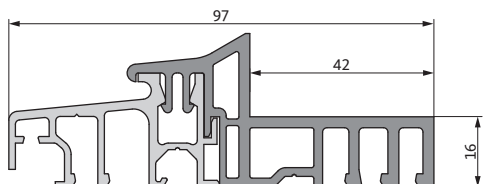
## GU system threshold 295

| Dimensions [mm] | Finish     | PU   | Order number   |
|-----------------|------------|------|----------------|
| 105 x 35 x 6000 | EV1 / grey | 24 m | 6-37431-60-0-1 |

You can find matching accessory parts for the GU system thresholds with central gasket 'MD' from page 167.

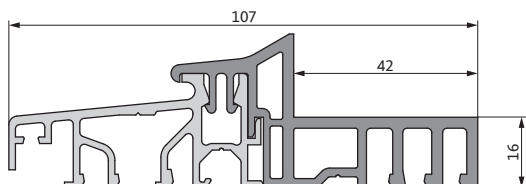
# GU system thresholds – central gasket

Rebate dimension 42 – 46 mm



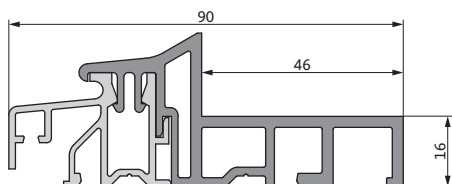
## GU system threshold 624

| Dimensions [mm] | Finish     | PU   | Order number   |
|-----------------|------------|------|----------------|
| 97 x 35 x 6000  | EV1 / grey | 24 m | 6-37964-60-0-1 |



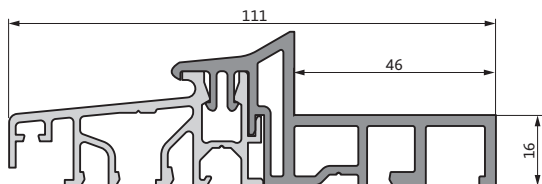
## GU system threshold 286

| Dimensions [mm] | Finish     | PU   | Order number   |
|-----------------|------------|------|----------------|
| 107 x 35 x 6000 | EV1 / grey | 18 m | 6-35756-60-0-1 |



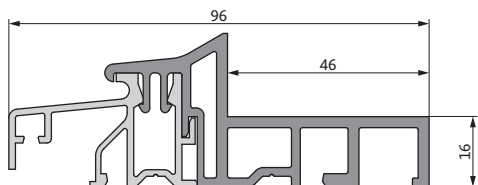
## GU system threshold 237

| Dimensions [mm] | Finish     | PU   | Order number   |
|-----------------|------------|------|----------------|
| 90 x 35 x 6000  | EV1 / grey | 24 m | 6-35116-60-0-1 |



## GU system threshold 627

| Dimensions [mm] | Finish     | PU   | Order number   |
|-----------------|------------|------|----------------|
| 111 x 35 x 6000 | EV1 / grey | 24 m | 6-37967-60-0-1 |



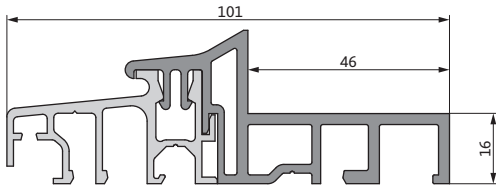
## GU system threshold 623

| Dimensions [mm] | Finish     | PU   | Order number   |
|-----------------|------------|------|----------------|
| 96 x 35 x 6000  | EV1 / grey | 24 m | 6-38405-60-0-1 |

You can find matching accessory parts for the GU system thresholds with central gasket 'MD' from page 167.

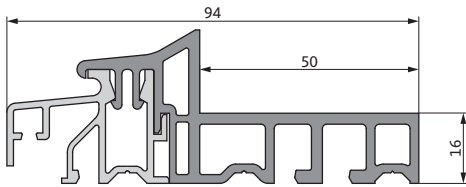
# GU system thresholds – central gasket

Rebate dimension 46 – 63 mm



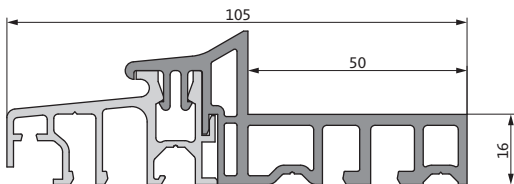
## GU system threshold 298

| Dimensions [mm] | Finish     | PU   | Order number   |
|-----------------|------------|------|----------------|
| 101 x 35 x 6000 | EV1 / grey | 30 m | 6-37532-60-0-1 |



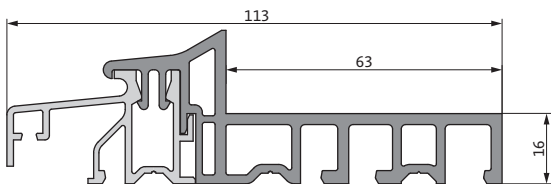
## GU system threshold 288

| Dimensions [mm] | Finish     | PU   | Order number   |
|-----------------|------------|------|----------------|
| 94 x 35 x 6000  | EV1 / grey | 24 m | 6-35869-60-0-1 |



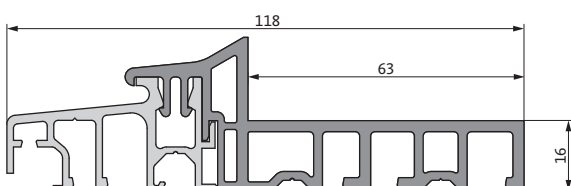
## GU system threshold 296

| Dimensions [mm] | Finish     | PU   | Order number   |
|-----------------|------------|------|----------------|
| 105 x 35 x 6000 | EV1 / grey | 24 m | 6-37430-60-0-1 |



## GU system threshold 625

| Dimensions [mm] | Finish     | PU   | Order number   |
|-----------------|------------|------|----------------|
| 113 x 35 x 6000 | EV1 / grey | 24 m | 6-37965-60-0-1 |



## GU system threshold 285

| Dimensions [mm] | Finish     | PU   | Order number   |
|-----------------|------------|------|----------------|
| 118 x 35 x 6000 | EV1 / grey | 18 m | 6-35755-60-0-1 |

You can find matching accessory parts for the GU system thresholds with central gasket 'MD' from page 167.





## GU system thresholds for PVC and timber elements

### GU system thresholds – impact gasket

142

### Drip rail, drip rail extensions, weather profiles

149

### SBS bb additional components

152

### Lip and brush seals, gasket part

159

### Auxiliary door leaf gaskets, rebate seals

160

### Levelling profiles, threshold-to-frame connectors

#### Impact gasket

162

### Levelling profiles, drilling jig, striker

#### Central gasket

167

### Threshold-to-frame and threshold-to-mullion connectors

#### Central gasket

168

### Tilt&Turn components

169

### Dummy mullion adapters, extension profiles

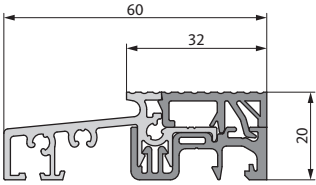
173

### Threshold protection foil, installation adhesive, frame for projecting installation, structural sealing set

175

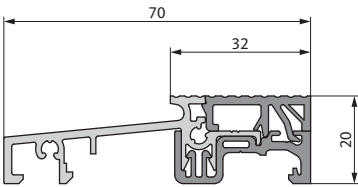
# GU system thresholds – impact gasket

Threshold width 60 – 70 mm



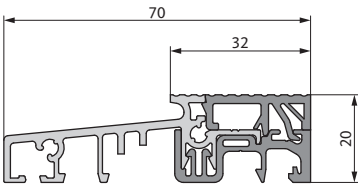
## GU system threshold 223 V

| Dimensions [mm] | Finish     | PU   | Order number   |
|-----------------|------------|------|----------------|
| 60 x 20 x 5800  | EV1 / grey | 29 m | 6-38007-58-0-1 |



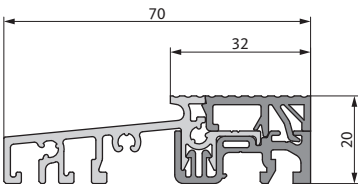
## GU system threshold 210 V

| Dimensions [mm] | Finish     | PU     | Order number   |
|-----------------|------------|--------|----------------|
| 70 x 20 x 1190  | EV1 / grey | 25 pc  | 6-37568-12-0-1 |
| 70 x 20 x 6000  | EV1 / grey | 30 m   | 6-37568-60-0-1 |
|                 |            | 1200 m | 6-37568-60-0L1 |



## GU system threshold 226 V

| Dimensions [mm] | Finish     | PU     | Order number   |
|-----------------|------------|--------|----------------|
| 70 x 20 x 1150  | EV1 / grey | 25 pc  | 6-38008-12-0-1 |
| 70 x 20 x 5800  | EV1 / grey | 29 m   | 6-38008-58-0-1 |
|                 |            | 1218 m | 6-38008-58-0L1 |

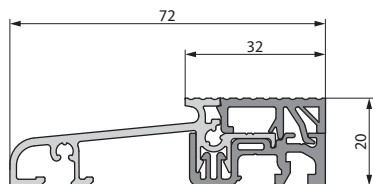


## GU system threshold 224 V

| Dimensions [mm] | Finish     | PU     | Order number   |
|-----------------|------------|--------|----------------|
| 70 x 20 x 1190  | EV1 / grey | 25 pc  | 6-37852-12-0-1 |
| 70 x 20 x 6000  | EV1 / grey | 30 m   | 6-37852-60-0-1 |
|                 |            | 1200 m | 6-37852-60-0L1 |

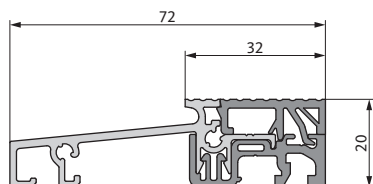
# GU system thresholds – impact gasket

Threshold width 72 – 75 mm



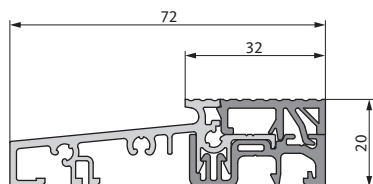
## GU system threshold 216 V

| Dimensions [mm] | Finish     | PU     | Order number   |
|-----------------|------------|--------|----------------|
| 72 x 20 x 1200  | EV1 / grey | 25 pc  | 6-37950-12-0-1 |
| 72 x 20 x 6000  | EV1 / grey | 30 m   | 6-37950-60-0-1 |
|                 |            | 1200 m | 6-37950-60-0L1 |



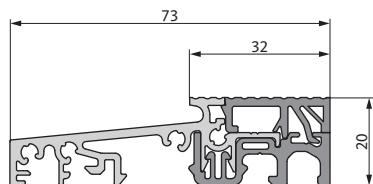
## GU system threshold 217 V

| Dimensions [mm] | Finish     | PU    | Order number   |
|-----------------|------------|-------|----------------|
| 72 x 20 x 1200  | EV1 / grey | 25 pc | 6-37998-12-0-1 |
| 72 x 20 x 6000  | EV1 / grey | 30 m  | 6-37998-60-0-1 |



## GU system threshold 271 V

| Dimensions [mm] | Finish     | PU    | Order number   |
|-----------------|------------|-------|----------------|
| 72 x 20 x 1190  | EV1 / grey | 25 pc | 6-38604-12-0-1 |
| 72 x 20 x 6000  | EV1 / grey | 30 m  | 6-38604-60-0-1 |
|                 |            | 980 m | 6-38604-56-0-1 |

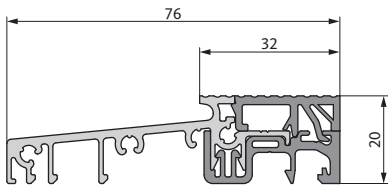


## GU system threshold 275 V

| Dimensions [mm] | Finish     | PU   | Order number   |
|-----------------|------------|------|----------------|
| 73 x 20 x 6000  | EV1 / grey | 30 m | 6-39259-60-0-1 |

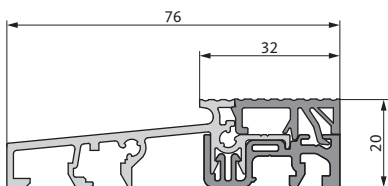
# GU system thresholds – impact gasket

Threshold width 76 – 80 mm



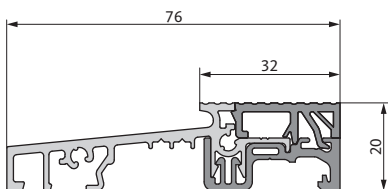
## GU system threshold 218 V

| Dimensions [mm] | Finish     | PU     | Order number   |
|-----------------|------------|--------|----------------|
| 76 x 20 x 1200  | EV1 / grey | 25 pc  | 6-37977-12-0-1 |
| 76 x 20 x 6000  | EV1 / grey | 30 m   | 6-37977-60-0-1 |
|                 |            | 1200 m | 6-37977-60-0L1 |



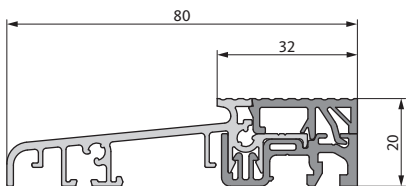
## GU system threshold 272 V

| Dimensions [mm] | Finish     | PU    | Order number   |
|-----------------|------------|-------|----------------|
| 76 x 20 x 1190  | EV1 / grey | 20 pc | 6-38783-12-0-1 |
| 76 x 20 x 6000  | EV1 / grey | 30 m  | 6-38783-60-0-1 |



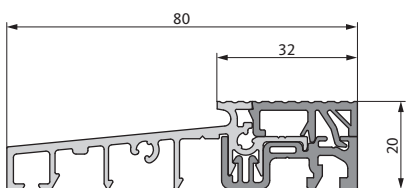
## GU system threshold 500 V

| Dimensions [mm] | Finish     | PU     | Order number   |
|-----------------|------------|--------|----------------|
| 76 x 20 x 6000  | EV1 / grey | 30 m   | 6-39933-60-0-1 |
|                 |            | 1200 m | 6-39933-60-0L1 |



## GU system threshold 230 V

| Dimensions [mm] | Finish     | PU    | Order number   |
|-----------------|------------|-------|----------------|
| 80 x 20 x 1200  | EV1 / grey | 25 pc | 6-37952-12-0-1 |
| 80 x 20 x 6000  | EV1 / grey | 30 m  | 6-37952-60-0-1 |



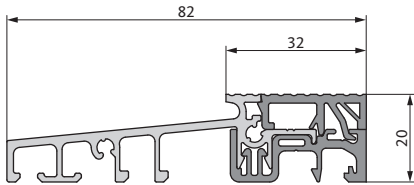
## GU system threshold 277 V

| Dimensions [mm] | Finish     | PU   | Order number   |
|-----------------|------------|------|----------------|
| 80 x 20 x 6000  | EV1 / grey | 30 m | 6-39431-60-0-1 |



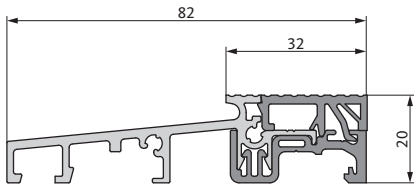
# GU system thresholds – impact gasket

Threshold width 82 – 85 mm



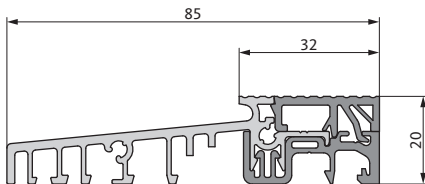
## GU system threshold 211 V

| Dimensions [mm] | Finish     | PU     | Order number   |
|-----------------|------------|--------|----------------|
| 82 x 20 x 1190  | EV1 / grey | 25 pc  | 6-37851-12-0-1 |
| 82 x 20 x 6000  | EV1 / grey | 30 m   | 6-37851-60-0-1 |
|                 |            | 1200 m | 6-37851-60-0L1 |



## GU system threshold 280 V

| Dimensions [mm] | Finish     | PU     | Order number   |
|-----------------|------------|--------|----------------|
| 82 x 20 x 1200  | EV1 / grey | 20 pc  | 6-37479-12-0-1 |
| 82 x 20 x 6000  | EV1 / grey | 30 m   | 6-37479-60-0-1 |
|                 |            | 1200 m | 6-37479-60-0L1 |

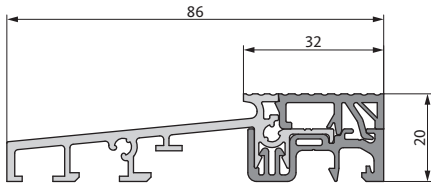


## GU system threshold 227 V

| Dimensions [mm] | Finish     | PU     | Order number   |
|-----------------|------------|--------|----------------|
| 85 x 20 x 1150  | EV1 / grey | 25 pc  | 6-38009-12-0-1 |
| 85 x 20 x 5800  | EV1 / grey | 29 m   | 6-38009-58-0-1 |
|                 |            | 1015 m | 6-38009-58-0L1 |

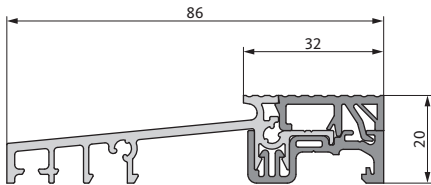
# GU system thresholds – impact gasket

Threshold width 86 – 88 mm



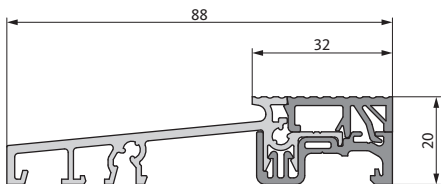
## GU system threshold 238 V

| Dimensions [mm] | Finish     | PU     | Order number   |
|-----------------|------------|--------|----------------|
| 86 x 20 x 1190  | EV1 / grey | 25 pc  | 6-37854-12-0-1 |
| 86 x 20 x 6000  | EV1 / grey | 30 m   | 6-37854-60-0-1 |
|                 |            | 1200 m | 6-37854-60-0L1 |



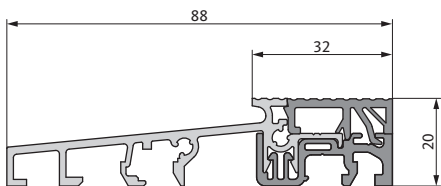
## GU system threshold 292 V

| Dimensions [mm] | Finish     | PU     | Order number   |
|-----------------|------------|--------|----------------|
| 86 x 20 x 1190  | EV1 / grey | 25 pc  | 6-37571-12-0-1 |
| 86 x 20 x 6000  | EV1 / grey | 30 m   | 6-37571-60-0-1 |
|                 |            | 1200 m | 6-37571-60-0L1 |



## GU system threshold 239 V

| Dimensions [mm] | Finish     | PU     | Order number   |
|-----------------|------------|--------|----------------|
| 88 x 20 x 1200  | EV1 / grey | 25 pc  | 6-37570-12-0-1 |
| 88 x 20 x 6000  | EV1 / grey | 30 m   | 6-37570-60-0-1 |
|                 |            | 1200 m | 6-37570-60-0L1 |

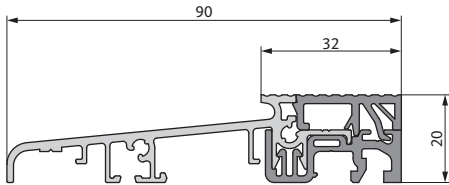


## GU system threshold 274 V

| Dimensions [mm] | Finish     | PU   | Order number   |
|-----------------|------------|------|----------------|
| 88 x 20 x 6000  | EV1 / grey | 30 m | 6-38967-60-0-1 |

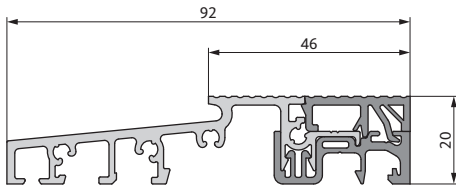
# GU system thresholds – impact gasket

Threshold width 90 – 115 mm



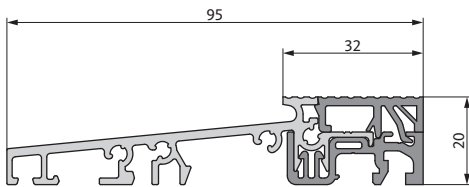
## GU system threshold 231 V

| Dimensions [mm] | Finish     | PU    | Order number   |
|-----------------|------------|-------|----------------|
| 90 x 20 x 1200  | EV1 / grey | 25 pc | 6-37953-12-0-1 |
| 90 x 20 x 6000  | EV1 / grey | 30 m  | 6-37953-60-0-1 |



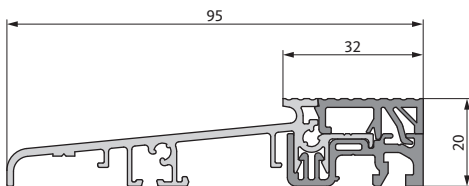
## GU system threshold 222 V

| Dimensions [mm] | Finish     | PU     | Order number   |
|-----------------|------------|--------|----------------|
| 92 x 20 x 1190  | EV1 / grey | 25 pc  | 6-37867-12-0-1 |
| 92 x 20 x 6000  | EV1 / grey | 30 m   | 6-37867-60-0-1 |
|                 |            | 1200 m | 6-37867-60-0L1 |



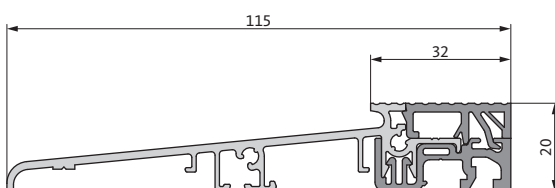
## GU system threshold 282 V

| Dimensions [mm] | Finish     | PU    | Order number   |
|-----------------|------------|-------|----------------|
| 95 x 20 x 1200  | EV1 / grey | 20 pc | 6-37999-12-0-1 |
| 95 x 20 x 6000  | EV1 / grey | 30 m  | 6-37999-60-0-1 |



## GU system threshold 232 V

| Dimensions [mm] | Finish     | PU    | Order number   |
|-----------------|------------|-------|----------------|
| 95 x 20 x 1200  | EV1 / grey | 25 pc | 6-37954-12-0-1 |
| 95 x 20 x 6000  | EV1 / grey | 30 m  | 6-37954-60-0-1 |

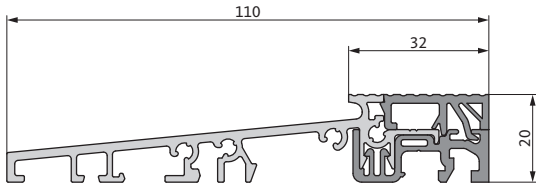


## GU system threshold 233 V

| Dimensions [mm] | Finish     | PU    | Order number   |
|-----------------|------------|-------|----------------|
| 115 x 20 x 1200 | EV1 / grey | 20 pc | 6-37955-12-0-1 |
| 115 x 20 x 6000 | EV1 / grey | 30 m  | 6-37955-60-0-1 |

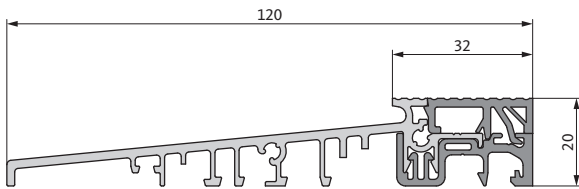
# GU system thresholds – impact gasket

Threshold width 110 – 140 mm



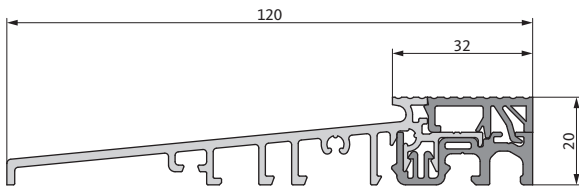
## GU system threshold 281 V

| Dimensions [mm] | Finish     | PU    | Order number   |
|-----------------|------------|-------|----------------|
| 110 x 20 x 1200 | EV1 / grey | 20 pc | 6-38000-12-0-1 |
| 110 x 20 x 6000 | EV1 / grey | 30 m  | 6-38000-60-0-1 |



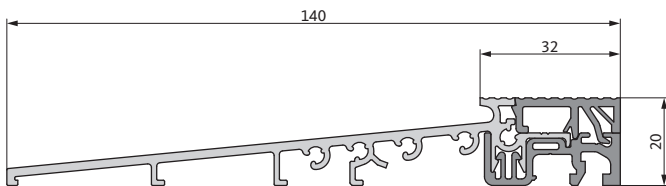
## GU system threshold 228 V

| Dimensions [mm] | Finish     | PU    | Order number   |
|-----------------|------------|-------|----------------|
| 120 x 20 x 1150 | EV1 / grey | 20 pc | 6-38010-12-0-1 |
| 120 x 20 x 5800 | EV1 / grey | 29 m  | 6-38010-58-0-1 |



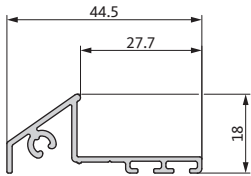
## GU system threshold 293 V

| Dimensions [mm] | Finish     | PU    | Order number   |
|-----------------|------------|-------|----------------|
| 120 x 20 x 1200 | EV1 / grey | 20 pc | 6-37976-12-0-1 |
| 120 x 20 x 6000 | EV1 / grey | 30 m  | 6-37976-60-0-1 |



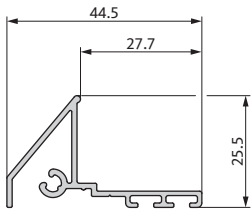
## GU system threshold 270 V

| Dimensions [mm] | Finish     | PU    | Order number   |
|-----------------|------------|-------|----------------|
| 140 x 20 x 1190 | EV1 / grey | 20 pc | 6-37939-12-0-1 |
| 140 x 20 x 6000 | EV1 / grey | 30 m  | 6-37939-60-0-1 |



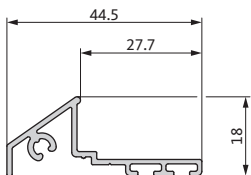
### Drip rail 242

| Dimensions [mm]  | Finish | PU   | Order number   |
|------------------|--------|------|----------------|
| 44.5 x 18 x 6000 | EV 1   | 60 m | 6-35266-60-0-1 |



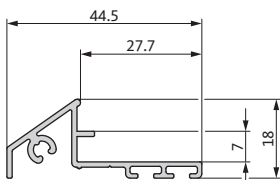
### Drip rail 246

| Dimensions [mm]    | Finish | PU     | Order number   |
|--------------------|--------|--------|----------------|
| 44.5 x 25.5 x 5520 | EV 1   | 55.2 m | 6-34827-56-0-1 |



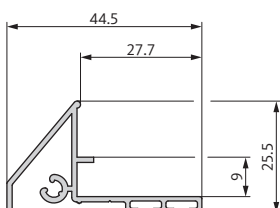
### Drip rail 247

| Dimensions [mm]  | Finish | PU     | Order number   |
|------------------|--------|--------|----------------|
| 44.5 x 18 x 5520 | EV 1   | 55.2 m | 6-34828-56-0-1 |



### Drip rail 243

| Dimensions [mm]  | Finish | PU   | Order number   |
|------------------|--------|------|----------------|
| 44.5 x 18 x 6000 | EV 1   | 60 m | 9-45562-60-0-1 |

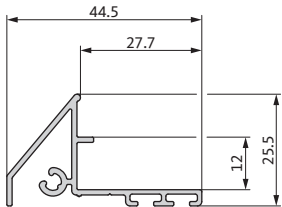


### Drip rail 261

| Dimensions [mm]    | Finish | PU   | Order number   |
|--------------------|--------|------|----------------|
| 44.5 x 25.5 x 6000 | EV 1   | 60 m | 9-46928-60-0-1 |

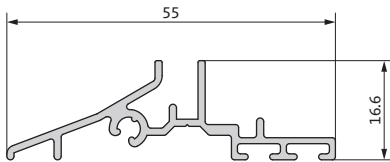
You can find the right drip rail for your profile system in the Chapter System overviews from page 12 (PVC) or from page 126 (timber).

# Drip rail



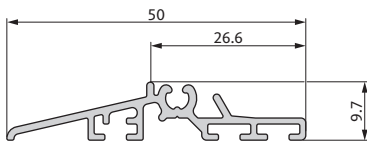
## Drip rail 262

| Dimensions [mm]    | Finish | PU   | Order number   |
|--------------------|--------|------|----------------|
| 44.5 x 25.5 x 6000 | EV 1   | 60 m | 9-47391-60-0-1 |



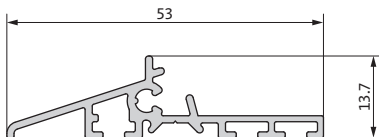
## Drip rail 266

| Dimensions [mm] | Finish | PU   | Order number   |
|-----------------|--------|------|----------------|
| 55 x 17 x 6000  | EV 1   | 60 m | 9-49668-60-0-1 |



## Drip rail 267

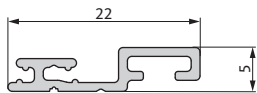
| Dimensions [mm] | Finish | PU   | Order number   |
|-----------------|--------|------|----------------|
| 50 x 9.7 x 6000 | EV 1   | 60 m | P-02132-60-0-1 |



## Drip rail 269

| Dimensions [mm] | Finish | PU   | Order number   |
|-----------------|--------|------|----------------|
| 53 x 14 x 6000  | EV 1   | 60 m | P-02260-60-0-1 |

You can find the right drip rail for your profile system in the Chapter System overviews from page 12 (PVC) or from page 126 (timber).



## Drip rail extension

| Dimensions [mm] | Finish | PU   | Order number   |
|-----------------|--------|------|----------------|
| 22 x 5 x 2000   | EV 1   | 30 m | P-02008-20-0-1 |

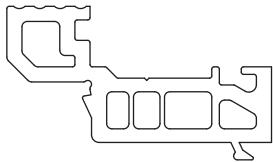


## Weather profile 264

| Dimensions [mm]   | Finish | PU   | Order number   |
|-------------------|--------|------|----------------|
| 25.8 x 3.7 x 2000 | EV 1   | 30 m | P-02009-20-0-1 |

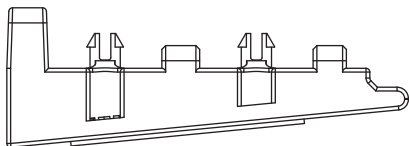
# SBS bb additional components

Levelling profiles, supporting bridges



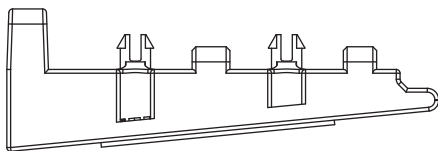
## ZAP1 levelling profile

| Length [mm] | Finish | PU     | Order number   |
|-------------|--------|--------|----------------|
| 1200        | grey   | 100 pc | P-02174-12-0-1 |
| 2000        | grey   | 40 m   | P-02174-20-0-1 |
| 6000        | grey   | 120 m  | P-02174-60-0-1 |



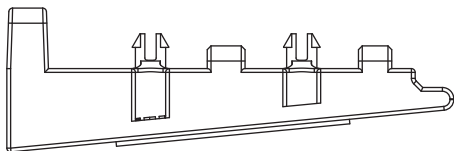
## Z101 supporting bridge

| System depth      | Finish | PU    | Order number   |
|-------------------|--------|-------|----------------|
| for 76 mm-systems | grey   | 50 pc | 6-39708-01-0-1 |



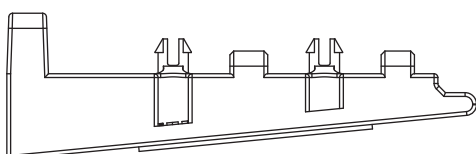
## Z102 supporting bridge

| System depth      | Finish | PU    | Order number   |
|-------------------|--------|-------|----------------|
| for 80 mm systems | grey   | 50 pc | 6-39708-02-0-1 |



## Z103 supporting bridge

| System depth      | Finish | PU    | Order number   |
|-------------------|--------|-------|----------------|
| for 82 mm systems | grey   | 50 pc | 6-39708-03-0-1 |



## Z104 supporting bridge

| System depth      | Finish | PU    | Order number   |
|-------------------|--------|-------|----------------|
| for 85 mm systems | grey   | 50 pc | 6-39708-04-0-1 |





### Z114 support profile 14

| Length [mm] | Finish     | PU     | Order number   |
|-------------|------------|--------|----------------|
| 1200        | EV1 / grey | 100 pc | P-02175-12-0-1 |
| 2000        | EV1 / grey | 36 pc  | P-02175-20-0-1 |
| 6000        | EV1 / grey | 120 m  | P-02175-60-0-1 |



### Z118 support profile 18

| Length [mm] | Finish     | PU    | Order number   |
|-------------|------------|-------|----------------|
| 1200        | EV1 / grey | 80 pc | P-02176-12-0-1 |
| 2000        | EV1 / grey | 39 pc | P-02176-20-0-1 |
| 6000        | EV1 / grey | 96 m  | P-02176-60-0-1 |



### Z120 support profile 20

| Length [mm] | Finish     | PU    | Order number   |
|-------------|------------|-------|----------------|
| 1200        | EV1 / grey | 80 pc | P-02177-12-0-1 |
| 2000        | EV1 / grey | 39 pc | P-02177-20-0-1 |
| 6000        | EV1 / grey | 96 m  | P-02177-60-0-1 |

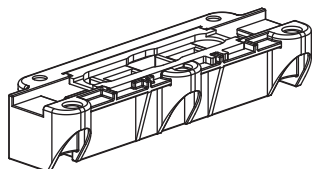


### Z123 support profile 23

| Length [mm] | Finish     | PU    | Order number   |
|-------------|------------|-------|----------------|
| 1200        | EV1 / grey | 70 pc | P-02178-12-0-1 |
| 2000        | EV1 / grey | 36 pc | P-02178-20-0-1 |
| 6000        | EV1 / grey | 84 m  | P-02178-60-0-1 |

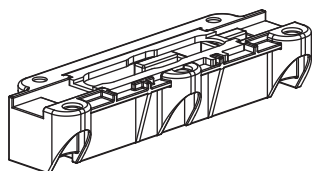
# SBS bb additional components

## Additional locks



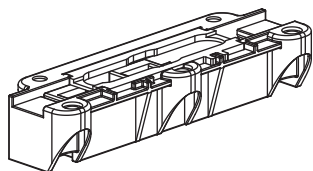
### Additional lock SBS bb

| Designation            |           |             | Finish     | PU   | Order number   |  |
|------------------------|-----------|-------------|------------|------|----------------|--|
| Additional lock SBS bb | Tilt&Turn | 2 deadbolts | galvanised | 1 pc | 6-39650-01-0-1 |  |



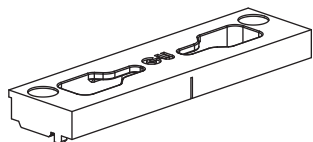
### Additional lock TF SBS bb

| Designation               |            |            | Finish     | PU   | Order number   |                |
|---------------------------|------------|------------|------------|------|----------------|----------------|
|                           |            |            |            |      | DIN LH         | DIN RH         |
| Additional lock TF SBS bb | Tilt-First | 1 deadbolt | galvanised | 1 pc | 6-39650-02-L-1 | 6-39650-02-R-1 |



### Additional lock TU-ON SBS bb for ventilation restrictor-stay

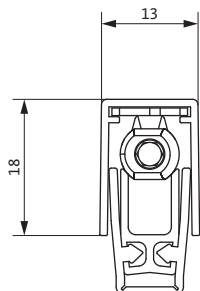
| Designation  |            | Finish     | PU   | Order number   |                |
|--|------------|------------|------|----------------|----------------|
|  |            |            |      | DIN LH         | DIN RH         |
| Additional lock TU-ON SBS bb for ventilation restrictor-stay | 1 deadbolt | galvanised | 1 pc | 6-39650-03-L-1 | 6-39650-03-R-1 |



### SBS bb striker

| Designation    | Axis [mm] | Finish     | PU   | Order number   |
|----------------|-----------|------------|------|----------------|
| SBS bb striker | 12        | galvanised | 1 pc | 9-51019-12-0-1 |
|                | 13        | galvanised | 1 pc | 9-51019-13-0-1 |

Please observe: installation drawing 0-48750



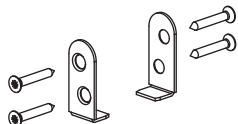
### SBS bb lowerable gasket Including run-up stop

| Designation | SRW [mm]  | Length [mm] | Finish     | PU   | Order number   |
|-------------|-----------|-------------|------------|------|----------------|
| ZAD3        | 220-335   | 335         | EV1 / grey | 5 pc | H-01868-03-0-0 |
| ZAD4        | 336-460   | 460         | EV1 / grey | 5 pc | H-01868-04-0-0 |
| ZAD5        | 461-585   | 585         | EV1 / grey | 5 pc | H-01868-05-0-0 |
| ZAD7        | 586-710   | 710         | EV1 / grey | 5 pc | H-01868-07-0-0 |
| ZAD8        | 711-835   | 835         | EV1 / grey | 5 pc | H-01868-08-0-0 |
| ZAD9        | 836-960   | 960         | EV1 / grey | 5 pc | H-01868-09-0-0 |
| ZAD10       | 961-1085  | 1085        | EV1 / grey | 5 pc | H-01868-10-0-0 |
| ZAD12       | 1086-1210 | 1210        | EV1 / grey | 5 pc | H-01868-12-0-0 |
| ZAD13       | 1211-1335 | 1335        | EV1 / grey | 5 pc | H-01868-13-0-0 |
| ZAD14       | 1336-1460 | 1460        | EV1 / grey | 5 pc | H-01868-14-0-0 |

Please observe: installation instructions 0-48696

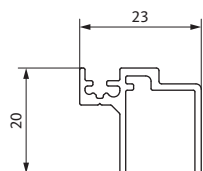
# SBS bb additional components – for timber elements

Accessories lowerable gasket, rebate seal, run-up stop



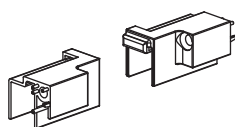
## ZAM installation kit for lowerable gasket for house entrance doors made of timber

|  | Finish                | PU       | Order number   |
|--|-----------------------|----------|----------------|
|  | satin stainless steel | Set of 1 | H-01887-00-0-0 |



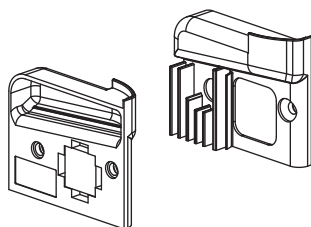
## SBS bb Z204 U-profile, lowerable gasket

| Length [mm] | Finish | PU    | Order number   |
|-------------|--------|-------|----------------|
| 1200        | EV1    | 30 pc | P-02201-12-0-1 |
| 6000        | EV1    | 36 m  | P-02201-60-0-1 |



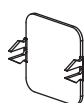
## SBS bb end cap for Z204 U-profile, lowerable gasket

| Designation    | Finish | PU        | Order number   |
|----------------|--------|-----------|----------------|
| ZE204D end cap | grey   | 100 pairs | 9-51376-01-0-1 |



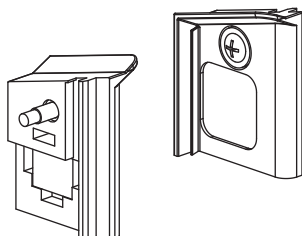
## SBS bb rebate seal

| Designation      | Finish | PU        | Order number   |
|------------------|--------|-----------|----------------|
| Z404 rebate seal | grey   | 100 pairs | 9-51414-01-0-1 |



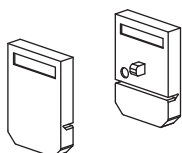
## SBS bb run-up stop

| Designation      | Finish                | PU    | Order number   |
|------------------|-----------------------|-------|----------------|
| ZADP run-up stop | satin stainless steel | 10 pc | H-01894-01-0-0 |



### SBS bb rebate seal Including fixing screw

| Designation | Basic frame rebate depth [mm] | Finish | PU        | Order number   |
|-------------|-------------------------------|--------|-----------|----------------|
| Z400        | 3                             | grey   | 100 pairs | 6-39768-30-0-1 |
| Z405        | 4                             | grey   | 100 pairs | 6-39768-40-0-1 |
| Z401        | 5                             | grey   | 100 pairs | 6-39768-50-0-1 |



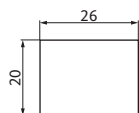
### Packer for rebate seal

| Designation | Basic frame rebate depth [mm] | Finish | PU     | Order number   |
|-------------|-------------------------------|--------|--------|----------------|
| Z453        | 3                             | grey   | 200 pc | 9-51565-30-0-1 |
| Z454        | 4                             | grey   | 200 pc | 9-51565-40-0-1 |
| Z455        | 5                             | grey   | 200 pc | 9-51565-50-0-1 |



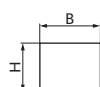
### SBS bb run-up stop

| Designation      | Finish                | PU    | Order number   |
|------------------|-----------------------|-------|----------------|
| ZADP run-up stop | satın stainless steel | 10 pc | H-01894-01-0-0 |



### SBS bb expanded rubber for soundproofing applications mounting area, overlap side

| Profile system       | Dim. W x H x L [mm] | Finish | PU    | Order number   |
|----------------------|---------------------|--------|-------|----------------|
| non-profile-specific | 26 x 20 x 2000      | black  | 10 pc | 9-52332-01-0-6 |

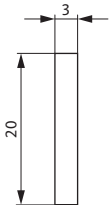


### SBS bb expanded rubber for soundproofing applications mounting area, drip rail

| Profile system       | Dim. W x H x L [mm] | Finish | PU    | Order number   |
|----------------------|---------------------|--------|-------|----------------|
| Aluplast 7000 / 8000 | 16 x 13 x 2000      | black  | 10 pc | 9-52332-02-0-6 |
| Gealan S 9000        | 19 x 13 x 2000      | black  | 10 pc | 9-52332-05-0-6 |
| Profine 76 AD        | 14 x 10 x 2000      | black  | 10 pc | 9-52332-07-0-6 |
| Salamander bE 82     | 17 x 13 x 2000      | black  | 10 pc | 9-52332-03-0-6 |
| Veka Softline 76     | 12 x 13 x 2000      | black  | 10 pc | 9-52332-06-0-6 |
| Veka Softline 82     | 18 x 13 x 2000      | black  | 10 pc | 9-52332-04-0-6 |

# SBS bb additional components

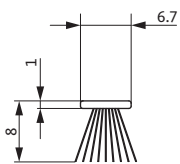
## Brush seals



### Sealing profile

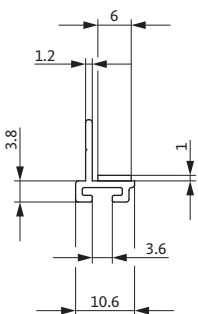
as connection between threshold and supporting structure

| Dimensions [mm] | Finish | PU   | Order number   |
|-----------------|--------|------|----------------|
| 20 x 3 x 6000   | white  | 60 m | H-00033-02-0-7 |



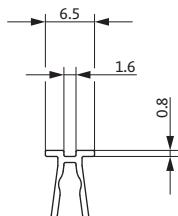
### Brush seal 4P

| Dimensions [mm] | Finish | PU     | Order number   |
|-----------------|--------|--------|----------------|
| 6.7 x 8 x 1200  | grey   | 100 pc | 9-51903-12-0-0 |



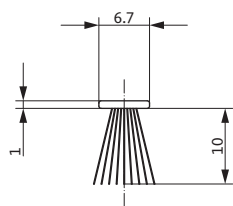
### Z290 mounting profile, self-adhesive for brush seal 4P

| Dimensions [mm]  | Finish | PU     | Order number   |
|------------------|--------|--------|----------------|
| 10.6 x 15 x 1200 | grey   | 100 pc | 6-40502-12-0-1 |



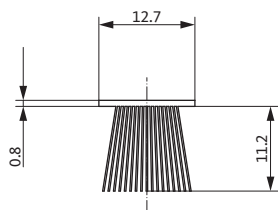
### Lip seal

| Dimensions [mm] | Finish | PU     | Order number   |
|-----------------|--------|--------|----------------|
| 6 x 9 x 1100    | grey   | 100 pc | P-01922-01-0-1 |



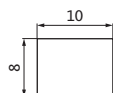
### Brush seal

| Dimensions [mm] | Finish | PU    | Order number   |
|-----------------|--------|-------|----------------|
| 10              | grey   | 150 m | H-01159-00-0-1 |



### Brush seal, short, self-adhesive

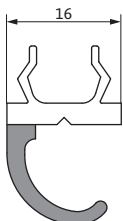
| Dimensions [mm] | Finish | PU     | Order number   |
|-----------------|--------|--------|----------------|
| 12 x 8 x 27     | grey   | 100 pc | 9-49373-01-0-1 |



### Sash overlap gasket, self-adhesive

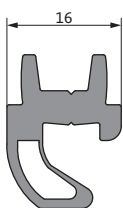
| Dimensions [mm] | Finish | PU     | Order number   |
|-----------------|--------|--------|----------------|
| 10 x 8 x 30     | black  | 100 pc | 9-52271-01-0-6 |

# Auxiliary door leaf gaskets, rebate seals



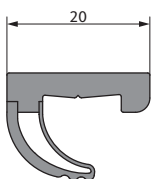
## 305 auxiliary door leaf gasket

| Dimensions [mm] | Finish | PU    | Order number   |
|-----------------|--------|-------|----------------|
| 16 x 1140       | black  | 25 pc | 9-45315-00-0-6 |



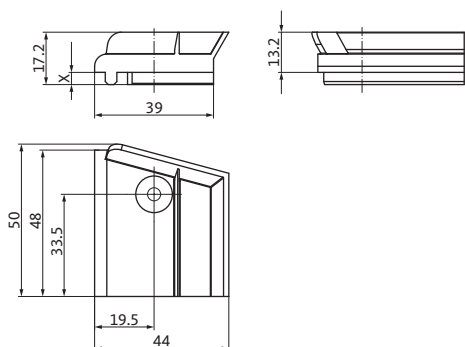
## HZD16 auxiliary door leaf gasket

| Dimensions [mm] | Finish | PU  | Order number   |
|-----------------|--------|-----|----------------|
| 16 x 4000       | grey   | 4 m | H-00079-16-0-0 |



## HZD20 auxiliary door leaf gasket

| Dimensions [mm] | Finish | PU  | Order number   |
|-----------------|--------|-----|----------------|
| 20 x 4000       | grey   | 4 m | H-00079-20-0-0 |



## SBS rebate seal including screws

| Dimension X [mm] | Finish | PU       | Order number   |
|------------------|--------|----------|----------------|
| 3.0              | grey   | 50 pairs | 6-39258-30-0-1 |
| 3.6              | grey   | 50 pairs | 6-39258-36-0-1 |

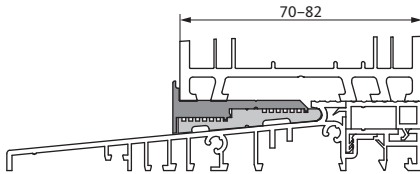
Contains: 1 x rebate seal left, 1 x rebate seal right, 2 x screws





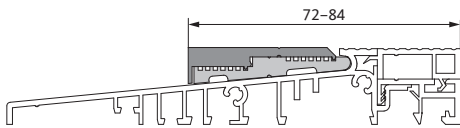
# Levelling profiles

## Impact gasket



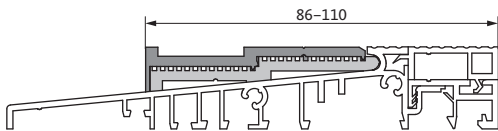
### HAP 1 levelling profile

| Dimensions [mm] | Finish | PU     | Order number   |
|-----------------|--------|--------|----------------|
| 40 x 2200       | EV 1   | 5 sets | H-00475-00-0-1 |



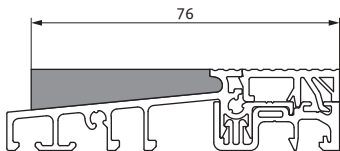
### HAP 2 levelling profile

| Dimensions [mm] | Finish | PU     | Order number   |
|-----------------|--------|--------|----------------|
| 40 x 2200       | EV 1   | 5 sets | H-00475-01-0-1 |



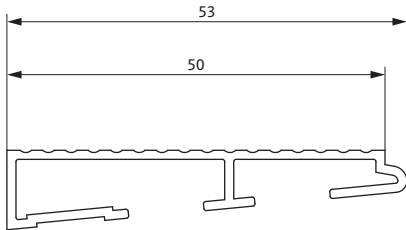
### HAP 4 levelling profile

| Dimensions [mm] | Finish | PU     | Order number   |
|-----------------|--------|--------|----------------|
| 54 x 2200       | EV 1   | 5 sets | H-00475-03-0-1 |



### HAP 6 levelling profile

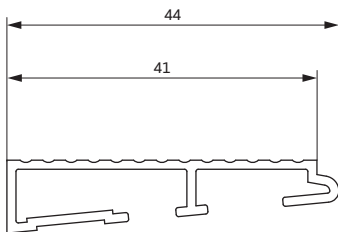
| Dimensions [mm] | Finish | PU    | Order number   |
|-----------------|--------|-------|----------------|
| 47 x 10 x 2000  | grey   | 10 pc | P-02064-20-0-1 |



### HAP 12 levelling profile

for combination with 82 mm GU system thresholds

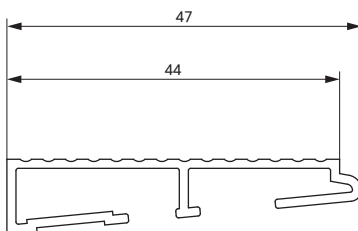
| Designation  | Dimensions [mm] | Finish | PU    | Order number   |
|--|-----------------|--------|-------|----------------|
| HAP 12 levelling profile                                 | 50 x 10 x 2000  | EV 1   | 12 pc | P-02139-20-0-1 |
|  | 50 x 10 x 6000  | EV 1   | 72 m  | P-02139-60-0-1 |
| HAP 12 levelling profile with double-sided adhesive tape | 50 x 10 x 6000  | EV 1   | 72 m  | 6-40143-00-0-1 |



### HAP 13 levelling profile

for combination with 73 mm GU system thresholds

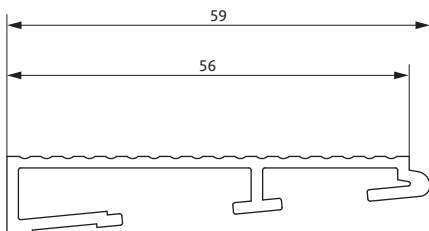
| Designation  | Dimensions [mm] | Finish | PU    | Order number   |
|--|-----------------|--------|-------|----------------|
| HAP 13 levelling profile                                 | 41 x 9 x 2000   | EV 1   | 12 pc | P-02171-20-0-1 |
|  | 41 x 9 x 6000   | EV 1   | 72 m  | P-02171-60-0-1 |
| HAP 13 levelling profile with double-sided adhesive tape | 41 x 9 x 6000   | EV 1   | 144 m | 6-40436-60-K-1 |



### HAP 14 levelling profile

for combination with 76 mm GU system thresholds

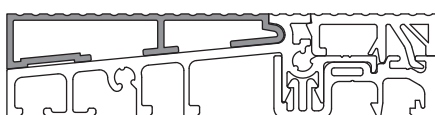
| Designation              | Dimensions [mm] | Finish | PU    | Order number   |
|--------------------------|-----------------|--------|-------|----------------|
| HAP 14 levelling profile | 44 x 10 x 2000  | EV 1   | 12 pc | P-02226-20-0-1 |



### HAP 15 levelling profile

for combination with 88 mm GU system thresholds

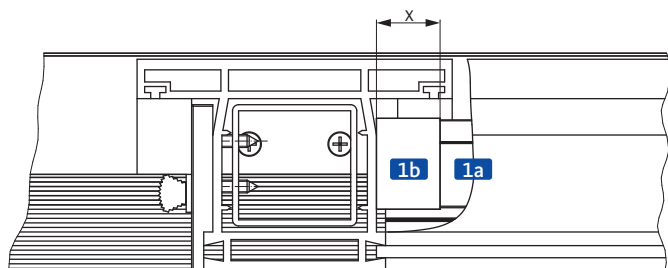
| Designation              | Dimensions [mm] | Finish | PU    | Order number   |
|--------------------------|-----------------|--------|-------|----------------|
| HAP 15 levelling profile | 56 x 11 x 2000  | EV 1   | 12 pc | P-02227-20-0-1 |



Installation example

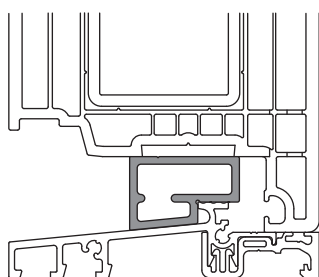
# Levelling profiles for fixed side part

## Impact gasket



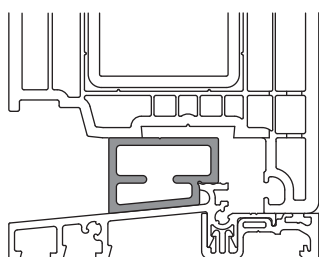
**1a** HAP 7 / HAP 8 levelling profile

**1b** End cap



### HAP 7 levelling profile + end caps

| Dimensions [mm]       | Finish      | PU     | Order number   |                |
|-----------------------|-------------|--------|----------------|----------------|
| 29 x 12 x 2000        | EV 1        | 30 m   | P-01967-20-0-1 |                |
| End caps for HAP 7    |             |        |                |                |
| Profile system        | Dim. X [mm] | Finish | PU             | Order number   |
| Aluplast Ideal 4000   | 20          | black  | 100 pairs      | 9-47777-01-0-6 |
| Aluplast Ideal 5000   | 29          | black  | 100 pairs      | 9-47857-01-0-6 |
| Deceuninck Elite      | 20          | black  | 100 pairs      | 9-47838-01-0-6 |
| Deceuninck Prestige   | 23          | black  | 100 pairs      | 9-47850-01-0-6 |
| Gealan S 8000         | 30          | black  | 100 pairs      | 9-47777-02-0-6 |
| Gealan S 9000         | 30          | black  | 100 pairs      | 9-47777-02-0-6 |
| Profine Kömmerling 70 | 20          | black  | 100 pairs      | 9-47777-01-0-6 |

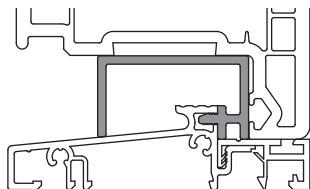


### HAP 8 levelling profile + end caps

| Dimensions [mm]        | Finish      | PU     | Order number   |                |
|------------------------|-------------|--------|----------------|----------------|
| 29 x 12 x 2000         | EV 1        | 30 m   | P-01968-20-0-1 |                |
| End caps for HAP 8     |             |        |                |                |
| Profile system         | Dim. X [mm] | Finish | PU             | Order number   |
| Aluplast Ideal 7000    | 20          | black  | 100 pairs      | 9-47777-01-0-6 |
| Gealan S 7000 IQ       | 25          | black  | 100 pairs      | 9-47858-01-0-6 |
| Profine KBE 88+        | 20          | black  | 100 pairs      | 9-47777-01-0-6 |
| Profine Kömmerling 88+ | 20          | black  | 100 pairs      | 9-47837-01-0-6 |
| Profine Trocal 88+     | 20          | black  | 100 pairs      | 9-47777-01-0-6 |
| Rehau Geneo            | 20          | black  | 100 pairs      | 9-47777-01-0-6 |
| Rehau Synego           | 20          | black  | 100 pairs      | 9-47777-01-0-6 |
| Veka Softline 82 AD    | 20          | black  | 100 pairs      | 9-47777-01-0-6 |
| Veka Softline 82 MD    | 12          | black  | 100 pairs      | 9-47852-01-0-6 |

# Levelling profiles for fixed side part

Impact gasket



## HAP 5 levelling profile + end caps

| Dimensions [mm]    | Finish | PU        | Order number   |
|--------------------|--------|-----------|----------------|
| 36 x 20 x 2000     | EV 1   | 30 m      | P-01900-20-0-1 |
| End caps for HAP 5 |        |           |                |
| Profile system     | Finish | PU        | Order number   |
| Veka Topline 70    | grey   | 100 pairs | 9-46488-00-0-1 |
| Veka Softline 82   | grey   | 100 pairs | 9-46694-00-0-1 |

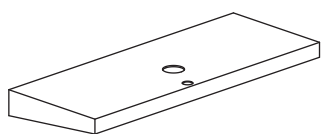
# Threshold-to-frame connector

## Impact gasket



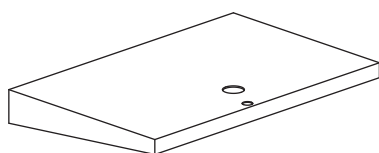
**Threshold-to-frame connector universal**  
for mounting of the threshold on frame and mullion

| Designation | Dim. [mm] | Finish | PU    | Order number   |
|-------------|-----------|--------|-------|----------------|
| 4070        | 100 x 33  | grey   | 50 pc | 9-45168-00-0H1 |
| 4070-1      | 100 x 33  | grey   | 10 pc | 9-45168-00-0-1 |



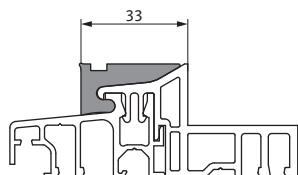
**Threshold-to-frame connector universal**  
for mounting of the threshold on frame and mullion

| Designation | Dim. [mm] | Finish | PU     | Order number   |
|-------------|-----------|--------|--------|----------------|
| 4071        | 120 x 46  | grey   | 100 pc | 9-45958-01-0H1 |
| 4071-1      | 120 x 46  | grey   | 10 pc  | 9-45958-01-0-1 |



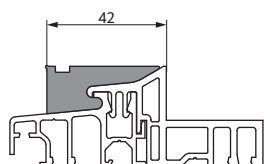
**Threshold-to-frame connector universal**  
for mounting of the threshold on frame and mullion

| Designation | Dim. [mm] | Finish | PU     | Order number   |
|-------------|-----------|--------|--------|----------------|
| 4072        | 120 x 78  | grey   | 100 pc | 9-45958-02-0H1 |
| 4072-1      | 120 x 78  | grey   | 10 pc  | 9-45958-02-0-1 |



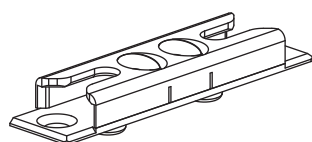
### HAP 9 levelling profile

| Dimensions [mm] | Finish | PU    | Order number   |
|-----------------|--------|-------|----------------|
| 31 x 2000       | grey   | 10 pc | P-02063-20-0-1 |



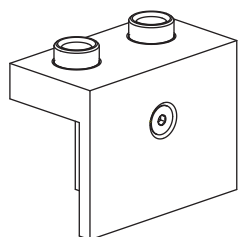
### HAP 10 levelling profile

| Dimensions [mm] | Finish | PU    | Order number   |
|-----------------|--------|-------|----------------|
| 40 x 2000       | grey   | 10 pc | P-02062-20-0-1 |



### Mushroom cam striker Se – with centering pin

| Axis [mm] | Finish | PU     | Order number   |
|-----------|--------|--------|----------------|
| 9 / 13    | EV 1   | 100 pc | 6-33082-08-0-1 |

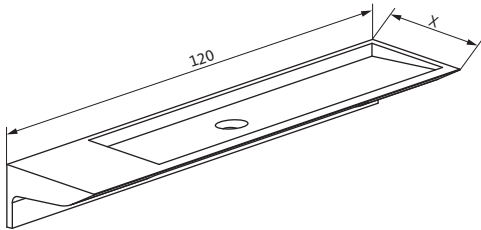


### Drilling jig for striker 6-33082-08

| Axis [mm] | Material  | PU   | Order number   |
|-----------|-----------|------|----------------|
| 9 / 13    | aluminium | 1 pc | K-19072-00-0-0 |

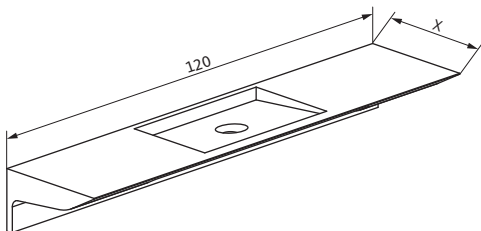
# Threshold-to-frame and threshold-to-mullion connectors

## Central gasket



### Threshold-to-frame connector

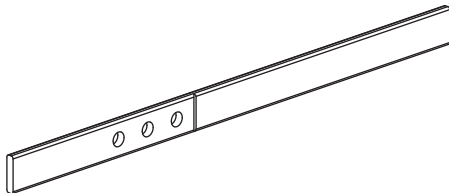
| Designation | Dim. X [mm] | Finish | PU       | Order number   |
|-------------|-------------|--------|----------|----------------|
| 4174        | 28.6        | grey   | 50 pairs | 9-45983-05-0H1 |
| 4174-1      | 28.6        | grey   | 10 pairs | 9-45983-05-0-1 |
| 4173        | 39.6        | grey   | 50 pairs | 9-45983-04-0H1 |
| 4173-1      | 39.6        | grey   | 10 pairs | 9-45983-04-0-1 |
| 4172        | 42.6        | grey   | 50 pairs | 9-45983-03-0H1 |
| 4172-1      | 42.6        | grey   | 10 pairs | 9-45983-03-0-1 |
| 4171        | 43.6        | grey   | 50 pairs | 9-45983-02-0H1 |
| 4171-1      | 43.6        | grey   | 10 pairs | 9-45983-02-0-1 |
| 4170        | 46.6        | grey   | 50 pairs | 9-45983-01-0H1 |
| 4170-1      | 46.6        | grey   | 10 pairs | 9-45983-01-0-1 |



### Threshold-to-mullion connector

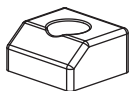
| Designation | Dim. X [mm] | Finish | PU    | Order number   |
|-------------|-------------|--------|-------|----------------|
| 4179        | 28.6        | grey   | 25 pc | 9-45984-05-0R1 |
| 4179-1      | 28.6        | grey   | 10 pc | 9-45984-05-0-1 |
| 4178        | 39.6        | grey   | 25 pc | 9-45984-04-0R1 |
| 4178-1      | 39.6        | grey   | 10 pc | 9-45984-04-0-1 |
| 4177        | 42.6        | grey   | 25 pc | 9-45984-03-0R1 |
| 4177-1      | 42.6        | grey   | 10 pc | 9-45984-03-0-1 |
| 4176        | 43.6        | grey   | 25 pc | 9-45984-02-0R1 |
| 4176-1      | 43.6        | grey   | 10 pc | 9-45984-02-0-1 |
| 4175        | 46.6        | grey   | 25 pc | 9-45984-01-0R1 |
| 4175-1      | 46.6        | grey   | 10 pc | 9-45984-01-0-1 |





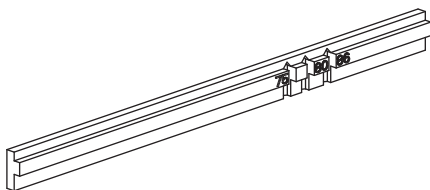
**Insertion part for UNI-JET SCF pivot-rest**

| Dimensions [mm] | Finish | PU   | Order number   |
|-----------------|--------|------|----------------|
| 120 x 8         | EV 1   | 1 pc | 9-46808-01-0-1 |



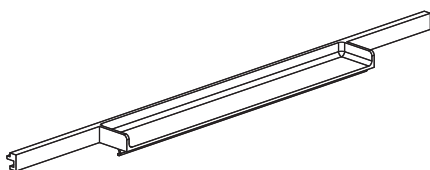
**Run-up block for door leaf**

| Dimensions [mm] | Finish | PU     | Order number   |
|-----------------|--------|--------|----------------|
| 18 x 16 x 9     | grey   | 100 pc | 9-49314-00-0-1 |



**Striker compensating element for 22 mm strikers**

| Dimensions [mm] | Finish | PU     | Order number   |
|-----------------|--------|--------|----------------|
| 113 x 2         | grey   | 100 pc | 9-48829-00-0-1 |

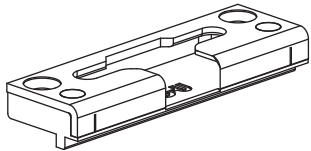


**Cover for turn-restrictor**

| Dimensions [mm] | Finish | PU    | Order number   |
|-----------------|--------|-------|----------------|
| 163 x 22        | grey   | 10 pc | 9-46071-22-0-1 |
| 163 x 24        | grey   | 10 pc | 9-46071-24-0-1 |

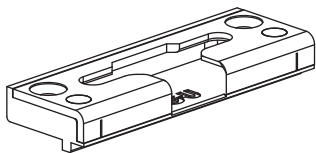
# Tilt&Turn components

## Strikers



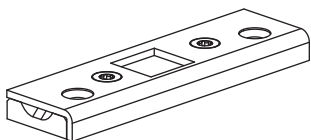
### Striker 22 mm

| Axis [mm] | Finish | PU     | Order number   |
|-----------|--------|--------|----------------|
| 9         | EV 1   | 100 pc | 6-34658-09-0-1 |
| 13        | EV 1   | 100 pc | 6-34658-13-0-1 |



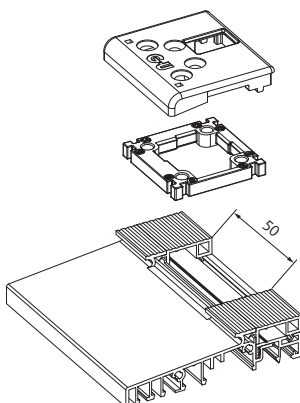
### Striker 24 mm

| Axis [mm] | Finish | PU     | Order number   |
|-----------|--------|--------|----------------|
| 9         | EV 1   | 100 pc | 6-37097-09-0-1 |
| 13        | EV 1   | 100 pc | 6-37097-13-0-1 |
| 13        | EV 1   | 100 pc | 6-37097-14-0-1 |



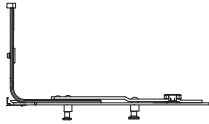
### Striker for shoot-bolts

| Axis [mm] | Finish | PU    | Order number   |
|-----------|--------|-------|----------------|
| 12        | silver | 20 pc | 6-39094-01-0-1 |
| 14.5      | silver | 20 pc | 6-39094-02-0-1 |



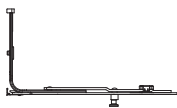
### Striker for shoot-bolts – adjustable

|  | Finish | PU    | Order number   |
|--|--------|-------|----------------|
|  | silver | 20 pc | 6-34877-00-0-1 |



**T&T centre lock 215 LC-ML**

| FGSW [mm] | Length [mm] | Locking cam height [mm] | PU    | Order number   |
|-----------|-------------|-------------------------|-------|----------------|
| 400-750   | 215         | 14.5                    | 10 pc | 6-34694-02-0-1 |



**TU-ON centre-lock 215 LC-ML**

| FGSW [mm] | Length [mm] | Locking cam height [mm] | PU    | Order number   |
|-----------|-------------|-------------------------|-------|----------------|
| 400-750   | 215         | 14.5                    | 10 pc | 6-34694-01-0-1 |



**T&T centre lock 530 LC-ML**

| FGSW [mm] | Length [mm] | Locking cam height [mm] | PU    | Order number   |
|-----------|-------------|-------------------------|-------|----------------|
| 751-1000  | 530         | 14.5                    | 10 pc | 6-34693-05-0-1 |



**TU-ON centre-lock 530 LC-MLH**

| FGSW [mm] | Length [mm] | Locking cam height [mm] | PU    | Order number   |
|-----------|-------------|-------------------------|-------|----------------|
| 751-1000  | 530         | 12.5 – 14.5 *           | 10 pc | 6-39322-05-0-1 |

\* locking cam height adjustable



**T&T centre lock 740 LC-ML**

| FGSW [mm] | Length [mm] | Locking cam height [mm] | PU    | Order number   |
|-----------|-------------|-------------------------|-------|----------------|
| 1001-1400 | 740         | 14.5                    | 10 pc | 6-34693-07-0-1 |



**TU-ON centre-lock 740 LC-MLH**

| FGSW [mm] | Length [mm] | Locking cam height [mm] | PU    | Order number   |
|-----------|-------------|-------------------------|-------|----------------|
| 1001-1400 | 740         | 12.5 – 14.5 *           | 10 pc | 6-39322-07-0-1 |

\* locking cam height adjustable

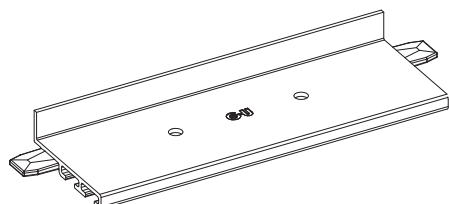
# Tilt&Turn components

## Bottom centre locks, horizontal



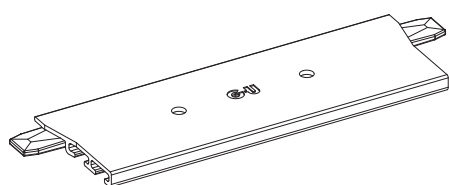
### Sec centre-lock for Turn-Only sash (horizontal at bottom)

| FGSW [mm] | Length [mm] | Quantity locking cam | PU    | Order number   |
|-----------|-------------|----------------------|-------|----------------|
| 335-750   | 215         | 1                    | 10 pc | 6-32010-00-0-1 |
| 751-950   | 530         | 2                    | 10 pc | 6-32008-05-0-1 |
| 951-1400  | 740         | 2                    | 10 pc | 6-32008-07-0-1 |



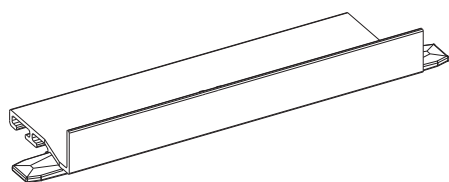
**Dummy mullion adapter 251**

| Dimensions [mm] | Finish | PU    | Order number   |
|-----------------|--------|-------|----------------|
| 83 x 28 x 6.5   | grey   | 25 pc | 9-45566-00-0-1 |



**Dummy mullion adapter 252**

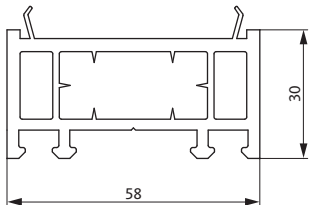
| Dimensions [mm] | Finish | PU    | Order number   |
|-----------------|--------|-------|----------------|
| 83 x 28         | grey   | 25 pc | 9-45549-00-0-1 |



**Dummy mullion adapter 253**

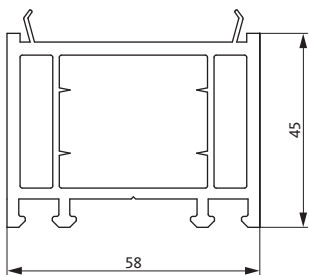
| Dimensions [mm] | Finish | PU    | Order number   |
|-----------------|--------|-------|----------------|
| 83 x 28 x 9     | grey   | 25 pc | 9-47604-01-0-1 |

# Extension profiles



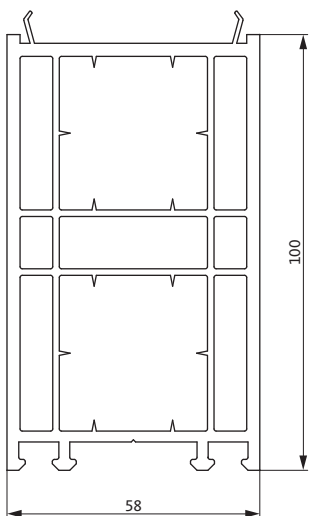
### Extension profile

| Dimensions [mm] | Finish | PU  | Order number   |
|-----------------|--------|-----|----------------|
| 58 x 30         | white  | 6 m | H-00474-00-0-7 |



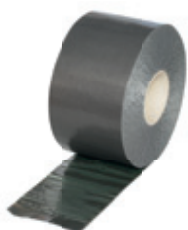
### Extension profile

| Dimensions [mm] | Finish | PU    | Order number   |
|-----------------|--------|-------|----------------|
| 58 x 45         | white  | 6.5 m | H-00474-01-0-7 |



### Extension profile

| Dimensions [mm] | Finish | PU    | Order number   |
|-----------------|--------|-------|----------------|
| 58 x 100        | white  | 6.5 m | H-00474-02-0-7 |



### Threshold protection foil

| Width [mm] | Finish | PU   | Order number   |
|------------|--------|------|----------------|
| 120        | grey   | 20 m | H-01499-00-0-0 |



### GU 1K installation adhesive

| Packing           | Contents | Colour        | PU/Box | Order number   |
|-------------------|----------|---------------|--------|----------------|
| PE euro cartridge | 290 ml   | crystal clear | 12 pc  | H-01893-00-0-0 |

# Frame for projecting installation



## GU frame for projecting installation

| Dimensions [mm] | Colour | PU    | PU/Pallet | Order number   |
|-----------------|--------|-------|-----------|----------------|
| 90 x 65 x 1180  | white  | 36 pc | 108 pc    | H-01573-06-0-7 |
| 90 x 80 x 1180  | white  | 30 pc | 90 pc     | H-01573-08-0-7 |
| 90 x 120 x 1180 | white  | 18 pc | 54 pc     | H-01573-12-0-7 |
| 90 x 160 x 1180 | white  | 15 pc | 45 pc     | H-01573-16-0-7 |
| 90 x 180 x 1180 | white  | 12 pc | 36 pc     | H-01573-18-0-7 |
| 90 x 200 x 1180 | white  | 12 pc | 36 pc     | H-01573-20-0-7 |



## Fixing accessories for GU frame for projecting installation

| Selective dimensioning of GU frame for projecting installation [mm] | Recommended dimensioning of GU anchor for projecting installation [mm] | PU     | Order number   |
|---|--|--------|----------------|
| 90 x 65 x 1180  | 10 x 140   | 100 pc | H-01624-14-0-1 |
| 90 x 80 x 1180  | 10 x 160   | 100 pc | H-01624-16-0-1 |
| 90 x 120 x 1180   | 10 x 180   | 100 pc | H-01624-18-0-1 |
| 90 x 160 x 1180   | 10 x 220   | 100 pc | H-01624-22-0-1 |
| 90 x 180 x 1180   | 10 x 240   | 100 pc | H-01624-24-0-1 |
| 90 x 200 x 1180   | 10 x 260   | 100 pc | H-01624-26-0-1 |

For detailed ordering information, please refer to our catalogue "Installation material for windows and doors".





| Structural sealing set              |                  |          |                |
|-------------------------------------|------------------|----------|----------------|
| Designation                         | Consists of      | PU       | Order number   |
| GU mounting set                     | Butyl tape       | 7.5 m    | H-01525-00-0-0 |
|                                     | Mounting corners | 1 pair   |                |
| Designation                         | Dimensions [mm]  | PU       | Order number   |
| GU mounting corner                  | 400 x 200        | 10 pairs | H-01526-00-0-0 |
| GU installation butyl external tape | 200              | 30 m     | H-01527-00-0-0 |
| GU installation butyl external tape | 300              | 50 m     | H-01527-30-0-0 |





### **Benefits for architects and planners**

|  |     |
|--|-----|
| GU system threshold SBS / GU system threshold SBS bb | 180 |
|--|-----|

---

### **Fabricator benefits**

|  |     |
|--|-----|
| GU system threshold SBS / GU system threshold SBS bb | 181 |
|--|-----|

---

### **GU system threshold floor-flush**

|   |     |
|---|-----|
| System solutions for house entrance doors | 182 |
| System solutions for balcony-doors        | 184 |
| Function of components                    | 186 |

---

### **Systematic service**

|   |     |
|---|-----|
| Requirements for a system check                     | 188 |
| Installation drawings and installation instructions | 189 |
| Service, planning, seminars                         | 190 |

---

## Benefits for architects and planners

GU system thresholds SBS / GU system threshold SBS bb



Rated sound insulation value according to EN ISO 10140-2 up to 45 dB\*

### GU system thresholds SBS

#### Application ranges

- House entrance doors, secondary entrance doors and balcony-doors
- Matched to the relevant profile system for single sash and double sash elements with mullions, or alternatively with dummy-mullion sash and also door combinations with fixed panels

#### Benefits

- Uniform, harmonious appearance for all door types
- Suitable for burglar-inhibiting elements, high security up to RC2 according to EN 1627
- High tightness against driving rain (also with double-leaf doors)
- Optimum thermal insulation

### GU system thresholds SBS bb

#### Application ranges

- House entrance doors, secondary entrance doors and balcony-doors
- Doors in escape and rescue routes
- Especially suitable for barrier-free doors, e.g. in care homes, hospitals, residential homes for persons with disabilities, kindergartens
- Matched to the relevant profile system for single sash and double sash elements with mullions, or alternatively with dummy-mullion sash and also door combinations with fixed panels

#### Benefits

- Uniform, harmonious appearance for all door types
- Suitable for burglar-inhibiting elements, high security up to RC2 according to EN 1627
- High tightness against driving rain (also with double-leaf doors), free choice of draining system
- \*Rated sound insulation value  $R_w$  according to EN ISO 10140-2 depending on system, glass and door type up to 45 dB
- Optimum thermal insulation

Suitable for barrier-free construction in compliance with DIN 18040





Aluminium and PVC industry worker / Getty Images



**Tightness against driving rain according to EN 12208 up to grade 9A**

## GU system thresholds SBS

### Application ranges

- House entrance doors, secondary entrance doors and balcony-doors
- Matched to the relevant profile system for single sash and double sash elements with mullions, or alternatively with dummy-mullion sash and also door combinations with fixed panels

### Benefits

- Reduced stock-keeping: the same components can be used to produce house entrance doors and balcony-doors
- Mount for customary strikers and concealed hardware
- Striker is securely screwed through the aluminium profile
- Comfortable threshold-to-frame connection through profile-specific connecting elements
- Connection of system-specific sub-base profiles
- Precisely fitting drip rails for many profile systems

## GU system thresholds SBS bb

### Application ranges

- House entrance doors, secondary entrance doors and balcony-doors
- Matched to the relevant profile system for single sash and double sash elements with mullions, or alternatively with dummy-mullion sash and also door combinations with fixed panels

### Benefits

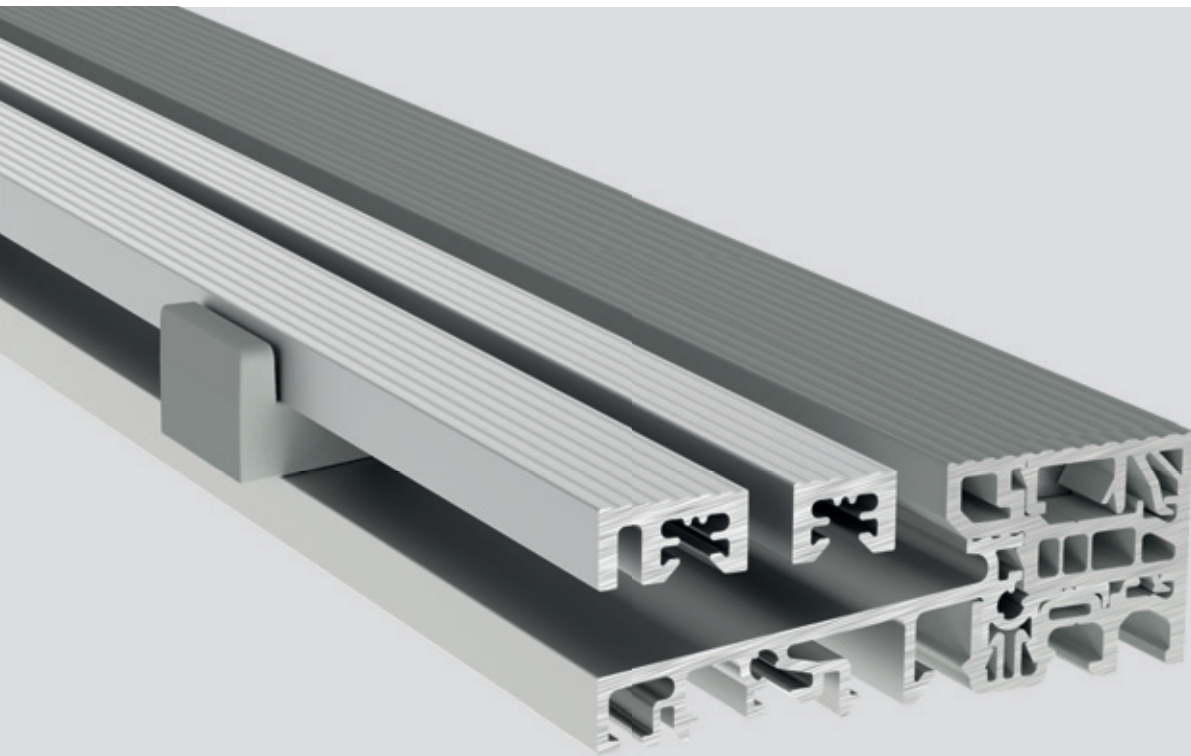
- Reduced stock-keeping: the same components can be used to produce house entrance doors and balcony-doors
- A few additional components turn the GU system threshold into the GU floor-flush system threshold
- Gaskets and structural connections of the threshold remain unchanged
- Circumferential locking remains unchanged
- No additional milling work on the element
- Simple and easy installation
- Pre-assembly on request
- Clear separation of the window fabrication and building waterproofing trades in the project

Suitable for barrier-free construction in compliance with DIN 18040



# System solution for house entrance doors

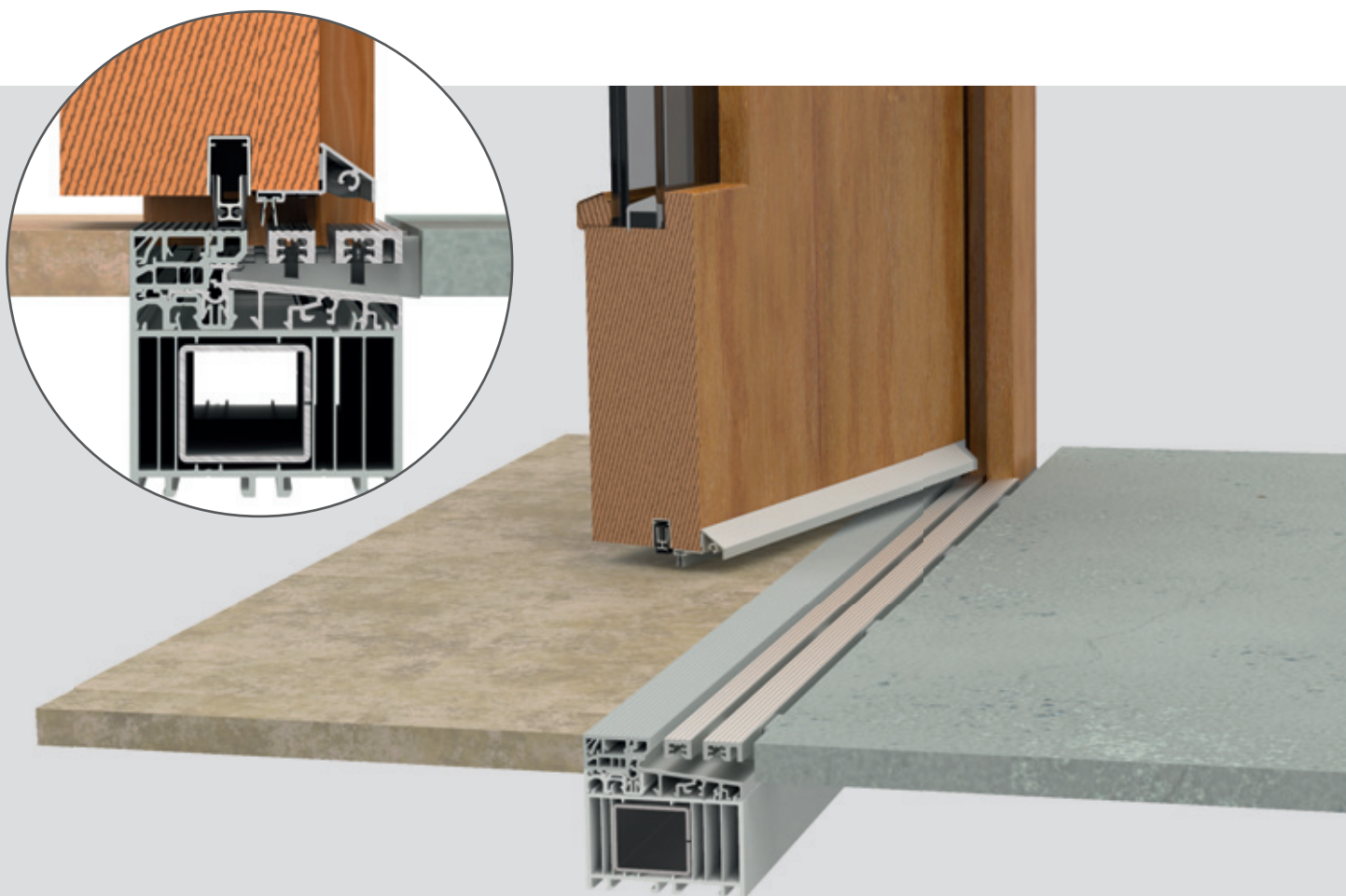
The range of comfort-enhancing products



- Matched to the relevant profile system for single sash and double sash elements with mullions, or alternatively with dummy-mullion sash and also door combinations with fixed panels
- Solutions for door leaf thicknesses up to 88 mm
- Usual processing
- Same components as for barrier-free balcony-door
- Tested security up to RC2 according to EN 1627
- Tightness against driving rain up to class 9A (also with double-leaf doors)





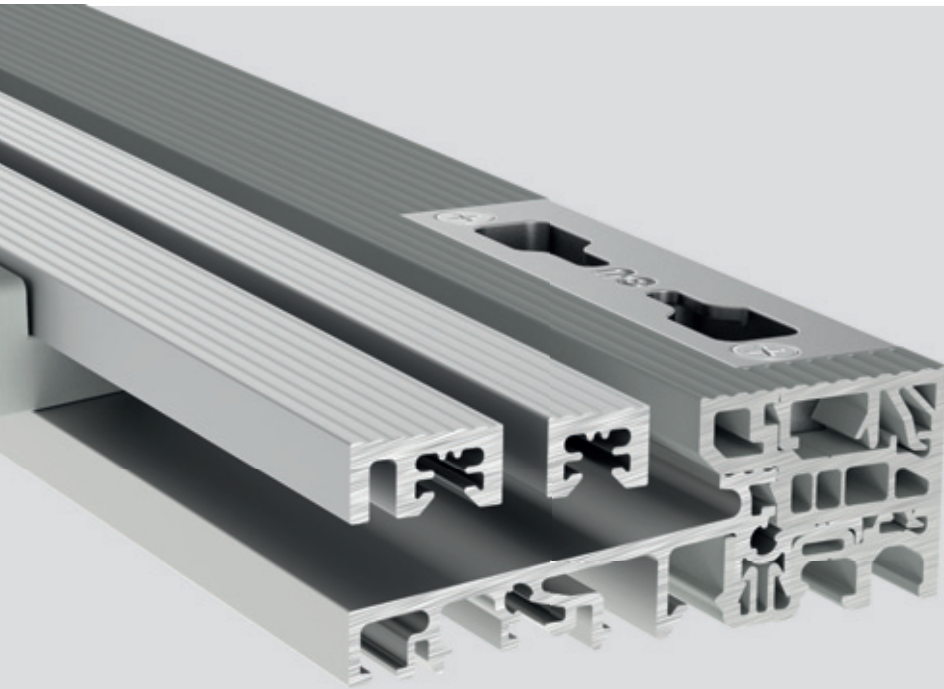


The GU system threshold bb is CE-certified in combination with various profile systems. Use of the thermal break enables energy-efficient doors and balcony-doors to be built.

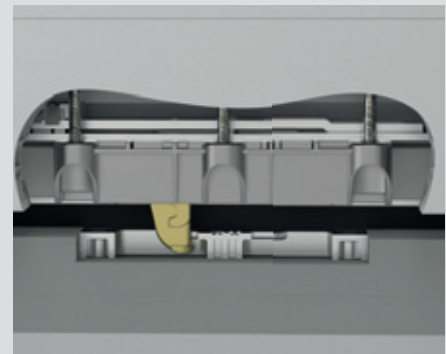
The thermal break increases living comfort, as moisture formation in the interior is prevented by constructional design measures. They are available to fit various profile systems. As the threshold is available in many different depths, it is suitable for almost every installation situation.

# System solution for balcony-doors

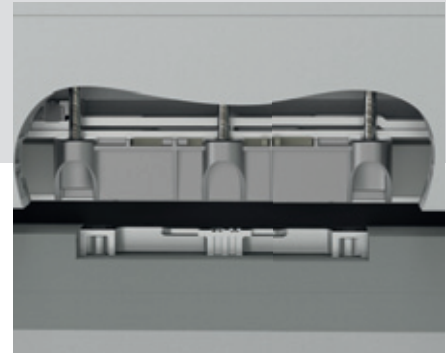
The range of comfort-enhancing products



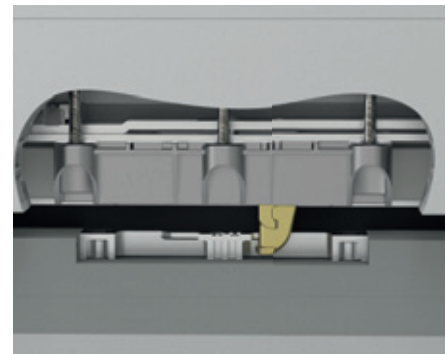
## Patented additional lock



Tilt position



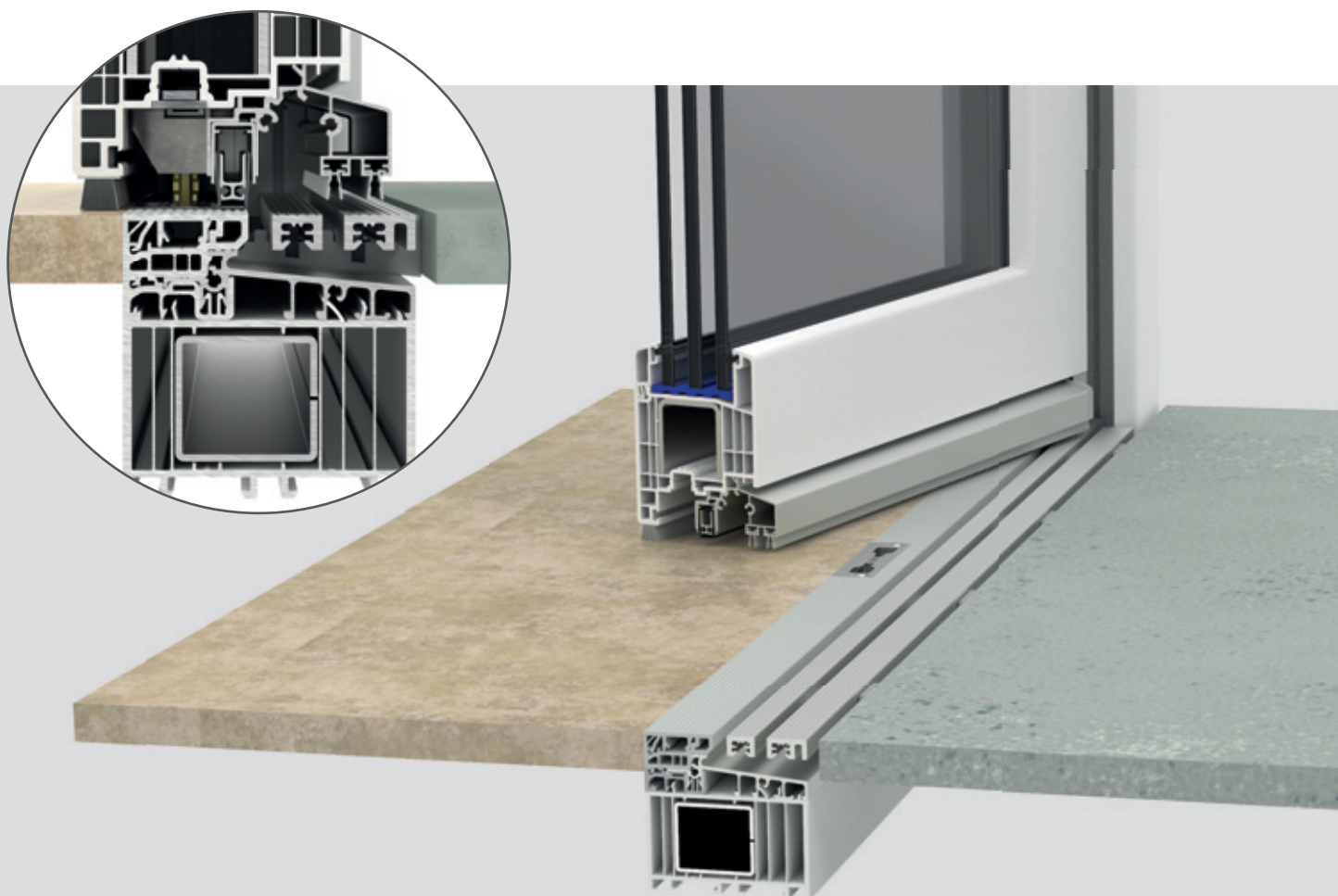
Turn-Only position



Secure locked position

- Matched to the relevant profile system for single sash and double sash elements with mullions, or alternatively with dummy-mullion sash and also door combinations with fixed panels
- The patented additional lock by GU also allows the standard Tilt&Turn hardware to be used with the barrier-free solution.
- Tilt-First is also possible
- Tested security also for 2-sashed elements up to RC2 according to EN 1627
- Tightness against driving rain up to class 9A (also with double-leaf doors)
- Burglar protection due to integrated self-locking
- Supporting function for hung sashes

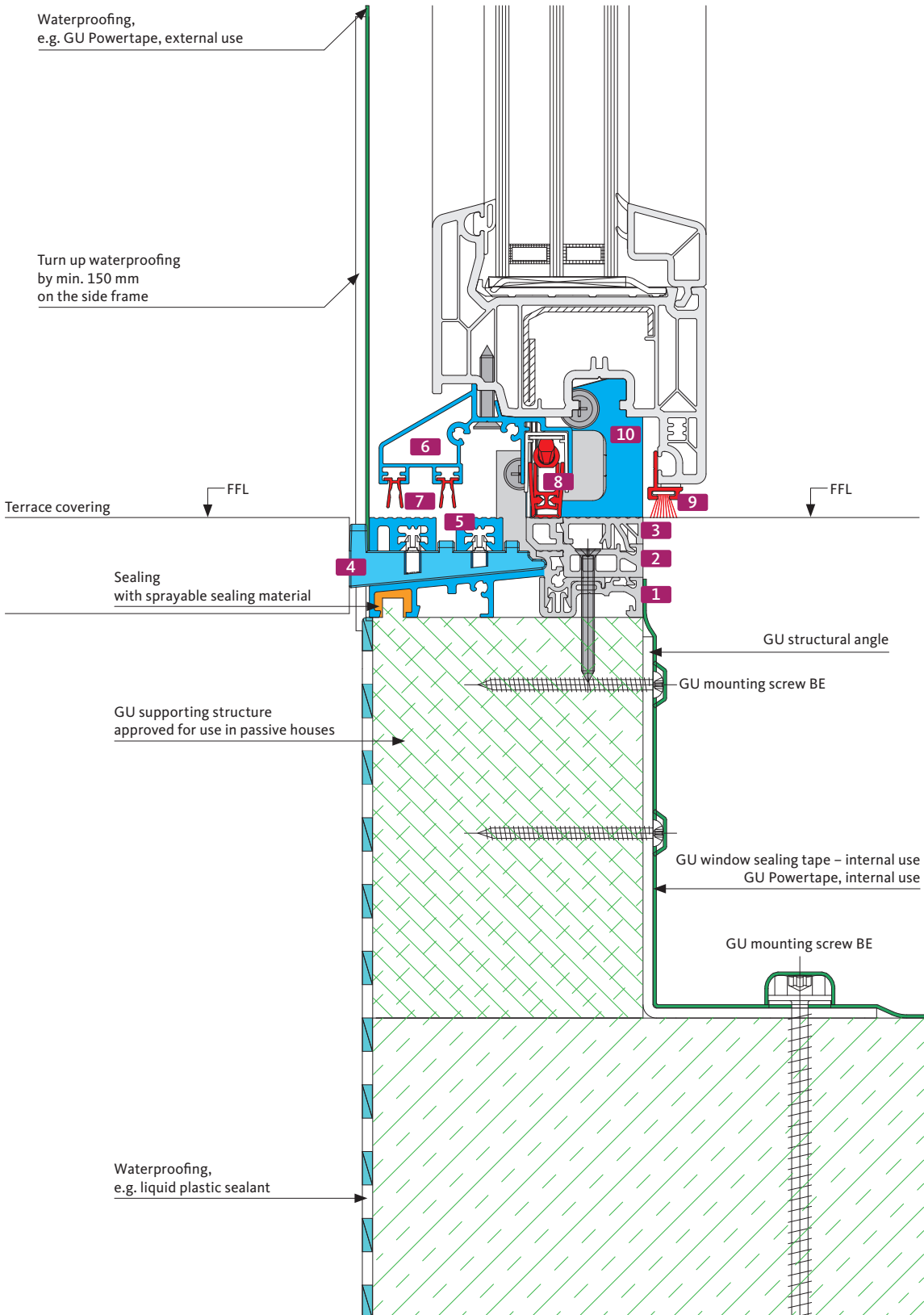




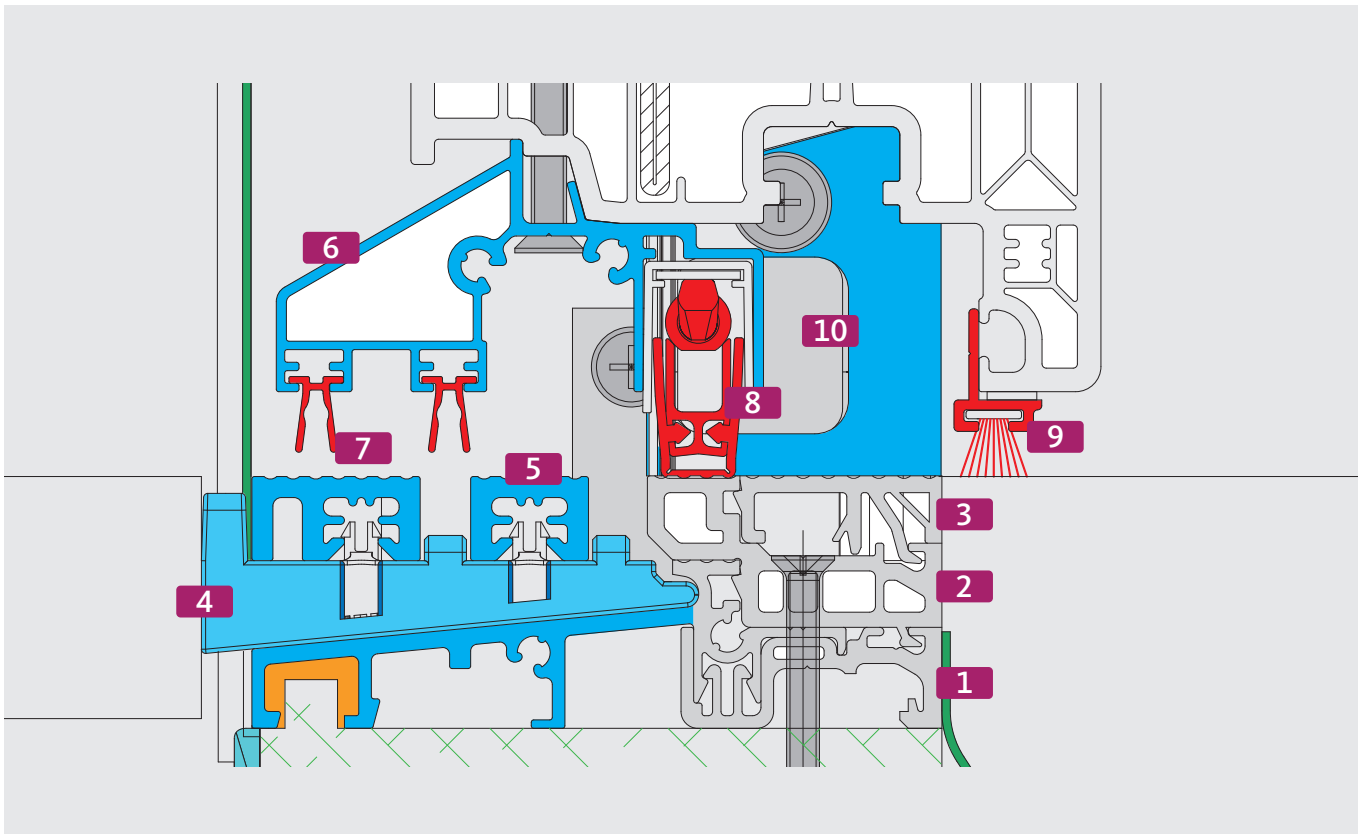
In addition, strikers can be installed flush in balcony-doors, in an area of the threshold that is specially designed for this purpose. This patented additional lock by GU also allows the standard Tilt&Turn hardware to be used with the barrier-free solution. Even Tilt-First is also unproblematic. Furthermore, this solution is even suitable for 2-sash elements RC 2 / RC 2 N.

# GU system threshold bb

## Function of components



For more information on the topic of sealing, refer to our order catalogue "Installation material for doors and windows".



#### GU system threshold 20 mm – base profile

The thermally-broken **1** GU system threshold with 20 mm installation height is extended with the **2** levelling profile to create a floor-flush threshold system.

#### GU system threshold – cover profile with optional striker and additional lock

The 24 mm wide security strikers can be integrated into the **3** GU system threshold.

When combined with any standard Tilt&Turn hardware, the patented additional lock allows the balcony-doors to be securely locked.

Ample drainage is provided in the threshold system on the outside of the element between the **4** support bridges and **5** support profiles. The width of the anodised aluminium support profiles is modified to match the specific profile.

The **6** drip rail is made of anodised aluminium and supports the lowerable gasket which achieves an elegant closure on the underside of the door leaf. The end caps are adapted for the specific profile.

The **7** lip seals protect the lowerable floor seal from driving rain.

The adjustable **8** lowerable gasket ensures a permanently wind-tight and waterproof closure in combination with the rebate sealing elements.

The **9** support profile with brush seal establishes condensation-proof thermal conditions in the inner rebate area in front of the lowerable floor seal.

The **10** rebate sealing element ensures that wind and water cannot penetrate the critical rebate corner zone.

## Systematic service

Requirements for a system check



# Systematic Service



GU system check according to EN 12207, EN 12208 and EN 12210 of the SBS or SBS bb system thresholds in combination with the relevant profile system.

To verify the mandated characteristics within the scope of a validation check, we recommend you test the GU system threshold with the selected

system profile.

To carry out a factory production control in accordance with EN 14351-1, we recommend testing the system on the calibrated, quality-monitored test rig at the GU test centre. This individual test enables the customer to demonstrate the quality of his manufacturing process in combination with the chosen profile variant and hardware components.

### EN standards

- EN 12207: Windows and doors – Air permeability
- EN 12208: Windows and doors - Tightness against driving rain
- EN 12210: Windows and doors - Resistance to wind load

### GU system thresholds and accessories – installation drawings

| Drawing number | Threshold | Profile system |                              |
|----------------|-----------|----------------|------------------------------|
| 0-46644-YP     | SBS       | PVC            | Aluplast Ideal 2000          |
| 0-46627-YP     | SBS       | PVC            | Aluplast Ideal 4000          |
| 0-46591-YP     | SBS       | PVC            | Aluplast Ideal 5000          |
| 0-46607-YP     | SBS       | PVC            | Aluplast Ideal 7000          |
| 0-48705-YP     | SBS bb    | PVC            | Aluplast Ideal 7000          |
| 0-46606-YP     | SBS       | PVC            | Aluplast Ideal 8000          |
| 0-48706-YP     | SBS bb    | PVC            | Aluplast Ideal 8000          |
| 0-45850-YP     | SBS       | PVC            | Deceuninck Eforte            |
| 0-45854-YP     | SBS       | PVC            | Gealan S 8000 IQ plus        |
| 0-47017-YP     | SBS       | PVC            | Gealan S 9000                |
| 0-48702-YP     | SBS bb    | PVC            | Gealan S 9000                |
| 0-47620-YP     | SBS       | PVC            | Profine 76 AD                |
| 0-48709-YP     | SBS bb    | PVC            | Profine 76 AD                |
| 0-45852-YP     | SBS       | PVC            | Profine Kömmerling 88+       |
| 0-48949-YP     | SBS       | PVC            | Rehau Synego 80              |
| 0-48950-YP     | SBS bb    | PVC            | Rehau Synego 80              |
| 0-45855-YP     | SBS       | PVC            | Rehau Geneo                  |
| 0-45917-YP     | SBS       | PVC            | Rehau Profil Euro 86         |
| 0-47454-YP     | SBS       | PVC            | Salamander bluEvolution73    |
| 0-48476-YP     | SBS bb    | PVC            | Salamander bluEvolution82    |
| 0-45949-YP     | SBS       | PVC            | Veka Topline 70              |
| 0-48766-YP     | SBS       | PVC            | Veka Softline 76             |
| 0-48952-YP     | SBS bb    | PVC            | Veka Softline 76             |
| 0-45856-YP     | SBS       | PVC            | Veka Softline 82             |
| 0-48693-YP     | SBS bb    | PVC            | Veka Softline 82             |
| 0-48587-YP     | SBS bb    | Timber         | IV 78   Balcony-doors        |
| 0-48930-YP     | SBS bb    | Timber         | IV 88   Balcony-doors        |
| 0-48700-YP     | SBS bb    | Timber         | IV 78   House entrance doors |

### GU system thresholds – Installation drawings + Installation instructions

| Drawing number | Threshold | Profile system |         | Description               |   |
|----------------|-----------|----------------|---------|---------------------------|---|
| 0-48750-YP     | SBS bb    | PVC/timber     | neutral | Installation drawing      | UNI-JET central locking – RC1N and RC2/RC2N – For Tilt&Turn and Turn-Only sashes on 2-sash elements without mullion – Axis 13 mm – Rebate clearance 12 mm |
| 0-45660-YP     | SBS       | PVC            | neutral | Installation instructions | GU system threshold and accessories   |
| 0-46765-YP     | SBS       | PVC            | neutral | Installation instructions | Frame with counter profiling  |
| 0-46732-YP     | SBS       | PVC            | neutral | Installation drawing      | Hardware installation UNI-JET D   |
| 0-47364-YP     | SBS       | PVC            | neutral | Installation drawing      | Hardware installation UNI-JET SCF   |
| 0-48592-YP     | SBS bb    | PVC            | neutral | Installation drawing      | Hardware installation UNI-JET SCF   |
| 0-47042-YP     | SBS       | Timber         | neutral | Installation instructions | GU system threshold AD (impact gasket) and accessories  |
| 0-47043-YP     | SBS       | Timber         | neutral | Installation instructions | GU system threshold MD (central gasket) and accessories   |
| 0-46764-YP     | SBS       | Timber         | neutral | Installation instructions | Frame with counter profiling  |
| 0-46731-YP     | SBS       | Timber         | neutral | Installation drawing      | Hardware installation UNI-JET M6/12   |
| 0-46895-YP     | SBS       | Timber         | neutral | Installation drawing      | Hardware installation UNI-JET M8/12   |
| 0-48639-YP     | SBS bb    | Timber         | neutral | Installation drawing      | Hardware installation UNI-JET M6/12 and M8/12   |
| 0-47448-YP     | SBS       | Timber         | neutral | Installation drawing      | Hardware installation UNI-JET SCF   |

## Systematic service

Service, planning, seminars



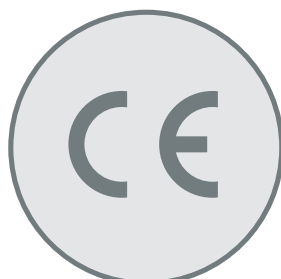
# Systematic Service

A product on its own is not a solution. The correct level of security, function and cost-effectiveness can only be achieved with the right planning and by ensuring correct application. The GU group therefore also applies the systematic thought processes demonstrated in its product range to its service offering. Close interlinking of one-to-one expert advice, free online support and a comprehensive programme of technical seminars aims to make the day-to-day work of customers easier.



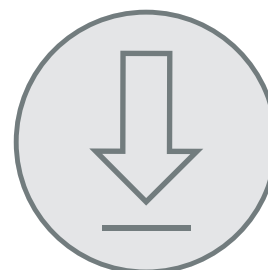
### Quality in black and white

You can count on it: all versions of our GU system thresholds comply with the current directives and standards and therefore carry the CE marking. As system manufacturer in the area of PVC, you can obtain verification of compliance with EN 14351-1:2006+A1:2010 on request at any time.



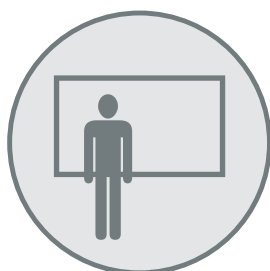
### CE licenser

Maximum reliability as standard: as CE licenser for timber windows and balcony-doors, GU group regularly offers training courses for "Licensed timber window and balcony-door production on the basis of Initial Type Testing (ITT) in accordance with product standard EN 14351-1:2006+A1:2010".



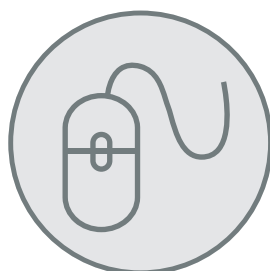
### Free download

Planning made simple: a wide range of information on the products and applications is available to download from our company website to the local hard drive quickly, conveniently and free of charge: from product documents and installation drawings to Declarations of Performance through to software solutions.



### Seminars and training courses

Practical knowledge based on first-hand experience: with around 160 events annually, the GU group offers an extremely wide range of seminars and training courses. The programme includes product innovations and their applications, current architectural trends and standards and directives. Several seminars and training courses are certified and recognised as advanced training courses by the chamber of architects and civil engineers in Germany.



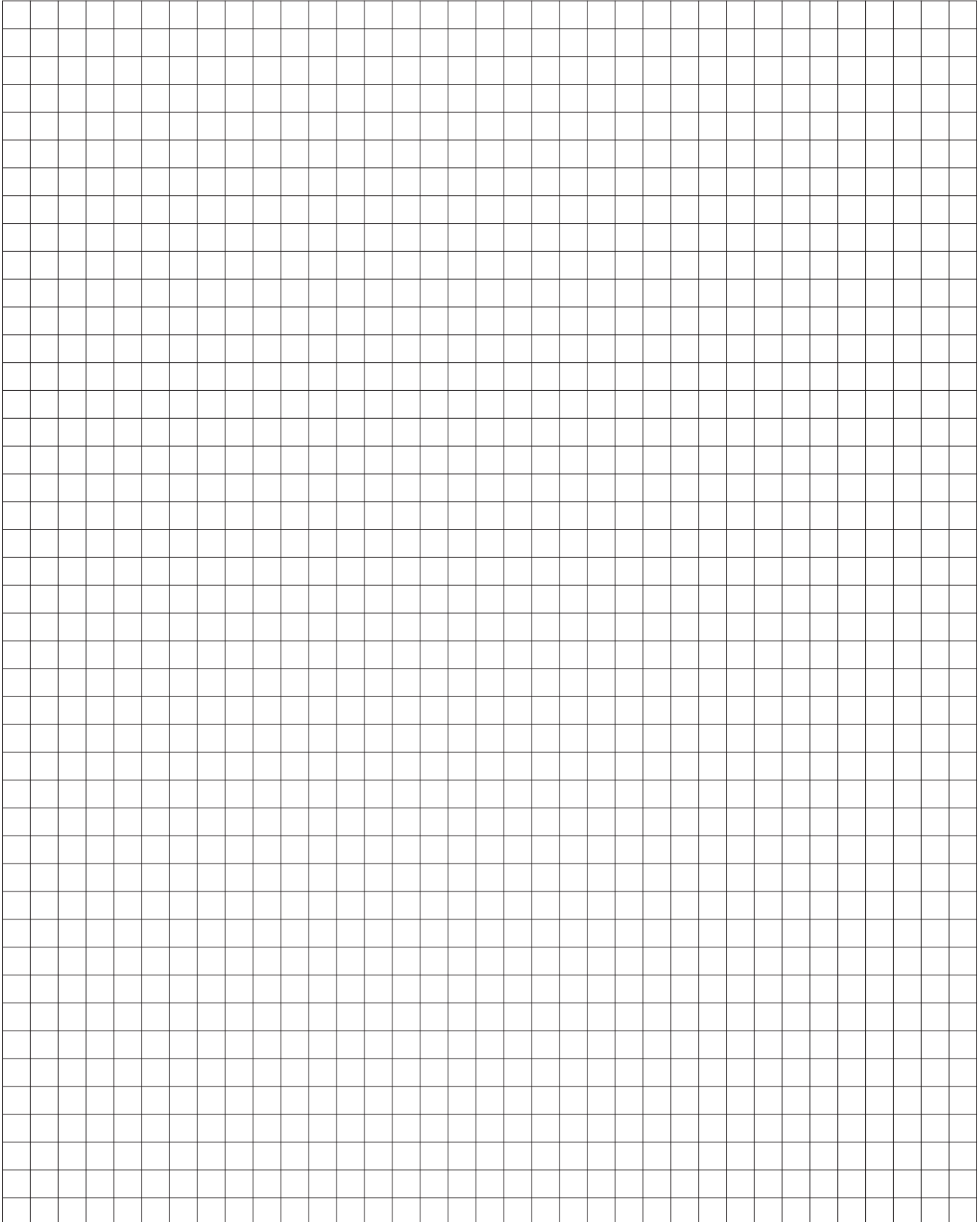
### Customer Information System

Available at the click of a mouse: the Customer Information System (CIS) is an ordering and information system for all GU group products. You can use the online platform 24 hours a day 7 days a week to access important information: from preparing a quotation through to performing an availability check in real time, from placing the order to order tracking.

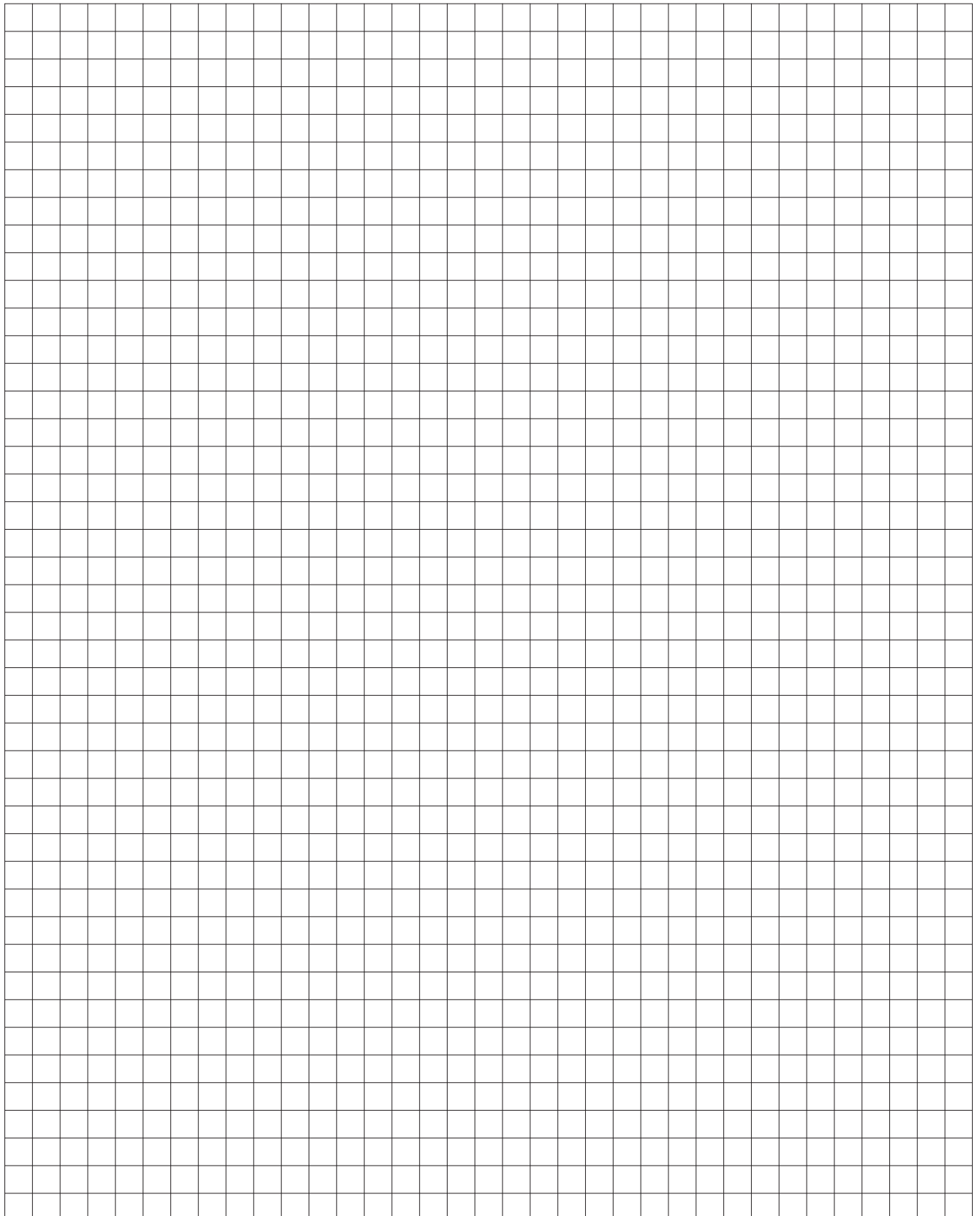


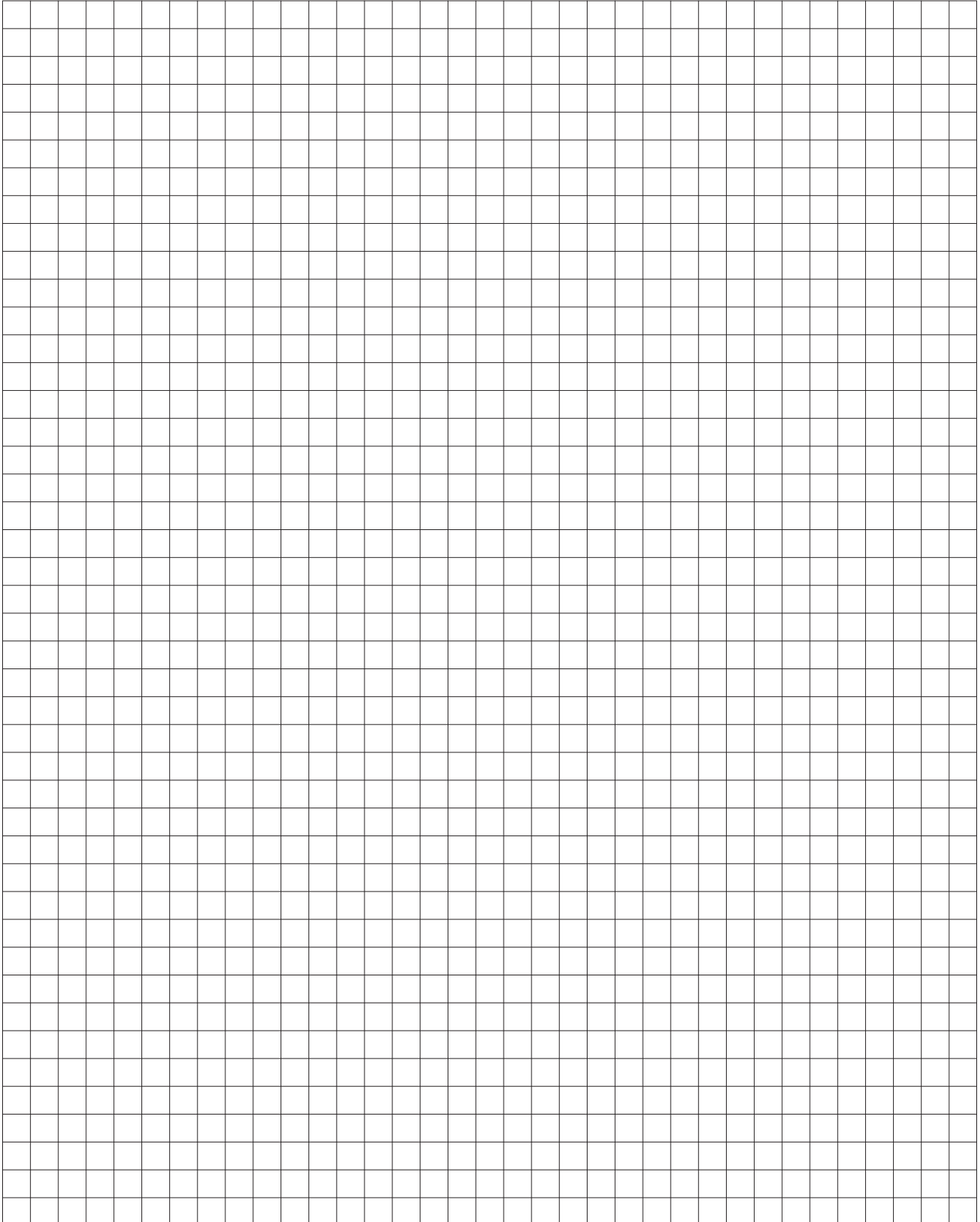
### Building project consulting

We make your everyday work easier: building project consulting assists architects and planners; for example by preparing project-specific drawings and door schedules, cable diagrams and tender specifications or conceptual designs with functional descriptions. Our well thought-out and coordinated system solutions guarantee optimum functionality and also compliance with the required standards and directives.











### Indication character of the technical information, exclusion of liability

The technical documents are general information based on our experience and tests and therefore do not take any specific application into account. They are intended as general information and for initial orientation only, and must not be used as the decision-making basis. They reflect the version of the catalogue at the time of going to press. Although we have made every attempt to ensure the information provided here is accurate, it is non-binding. It should be adapted to the respective construction projects, usage and specific on-site demands. As a consequence of further developments, but also in order to take current developments into account and to exclude printing errors or other mistakes, you will find the current version of the binding technical documents at [www.g-u.com](http://www.g-u.com). Be sure to use the latest edition of our technical documents.

The product images shown in the publication may differ from the actual product, particularly as a result of technical improvements. We would also like to draw your attention to the current information at the website mentioned above.

### Copyright notice

© All illustrations and texts in this publication are protected by copyright. Unless otherwise stated in the image credits, the rights belong to the Gretsch-Unitas group. Any use of copyright protected materials without the consent of the holder of the rights is prohibited.

### Image credits

Page 1/9 Image of person: *Mischievous child scooting through living room on a push scooter* / GettyImages

Page 122 Image of person: *Delivery person delivering package* / von GettyImages

Page 181 *Aluminium and PVC industry worker* / Getty Images

### Publisher

Gretsch-Unitas GmbH  
Baubeschläge  
Johann-Maus-Str. 3  
71254 Ditzingen, Germany  
Tel. +49 71 56 3 01-0  
Fax +49 71 56 3 01-2 93  
[www.g-u.com](http://www.g-u.com)



WINDOW TECHNOLOGY  
DOOR TECHNOLOGY  
AUTOMATIC ENTRANCE SYSTEMS  
BUILDING MANAGEMENT SYSTEMS

Gretsch-Unitas GmbH  
Baubeschlage  
Johann-Maus-Str. 3  
D-71254 Ditzingen  
Tel. + 49 7156 301-0  
Fax + 49 7156 301-77980

BKS GmbH  
Heidestr. 71  
D-42549 Velbert  
Tel. + 49 2051 201-0  
Fax + 49 2051 201-9733

[www.g-u.com](http://www.g-u.com)

WP00055-04-0-1 04/2021

Securing technology for you

