



WINDOW TECHNOLOGY
DOOR TECHNOLOGY
AUTOMATIC ENTRANCE SYSTEMS
BUILDING MANAGEMENT SYSTEMS



GU SYSTEM THRESHOLD FOR ALL DOOR TYPES

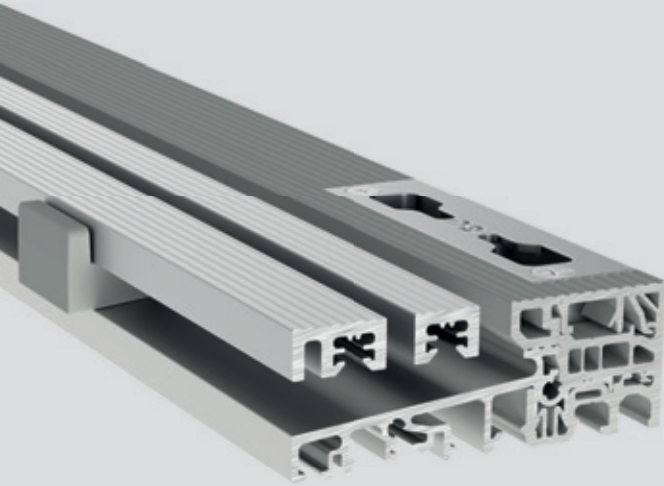
Barrier-free planning – universal solutions
Satisfies all your requirements

Securing technology for you



The barrier-free threshold solution from Gretsch-Unitas

The range of comfort-enhancing products



House entrance door



GU system threshold bb

The convenience range from Gretsch-Unitas group offers flush-to-floor thresholds as a tested system solution for house entrance doors, balcony-doors and Lift&Slide elements, offering a barrier-free solution for the door types mentioned using the same components and with identical appearance.

The GU system thresholds are CE-certified with various system profiles. The thermal break enables energy-efficient doors and balcony-doors to be constructed.



Product of the year

for barrier-free threshold solution
for entrance and balcony-doors

For the first time, “bfb barrierefrei bauen” awarded prizes for the most popular barrier-free products that facilitate comfortable, safe and independent living at every age. The winners were determined based equally on the assessment of a specialist jury and the results of a readers' poll.

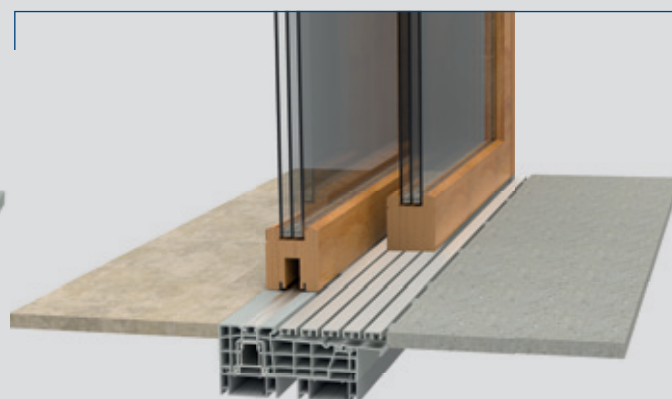
Due to a wide range of physical limitations, many people are dependent either temporarily or permanently on a barrier-free environment. In addition, owing to the “demographic transformation”, the demand for barrier-free solutions to facilitate independent and comfortable living in old age is steadily increasing.

Balcony-door



The patented additional lock by GU also allows the standard Tilt&Turn hardware to be used with the barrier-free solution without additional milling work.

Lift&Slide door



In the area of Lift&Slide elements, the barrier-free solution can be used with all GU-thermostep thresholds and requires only a few additional components.

Comfort, security, quality

According to our guiding principle “Securing technology for you” we offer the GU system threshold, a barrier-free solution for house entrance doors, balcony-doors and Lift&Slide elements. We provide support and assistance from the planning stages through to implementation of your barrier-free construction project, irrespective of whether it be a new build, refurbishment or retrofit.

Get in touch with us and together we will find the right solution for you.

Securing technology for you



System solution for house entrance doors

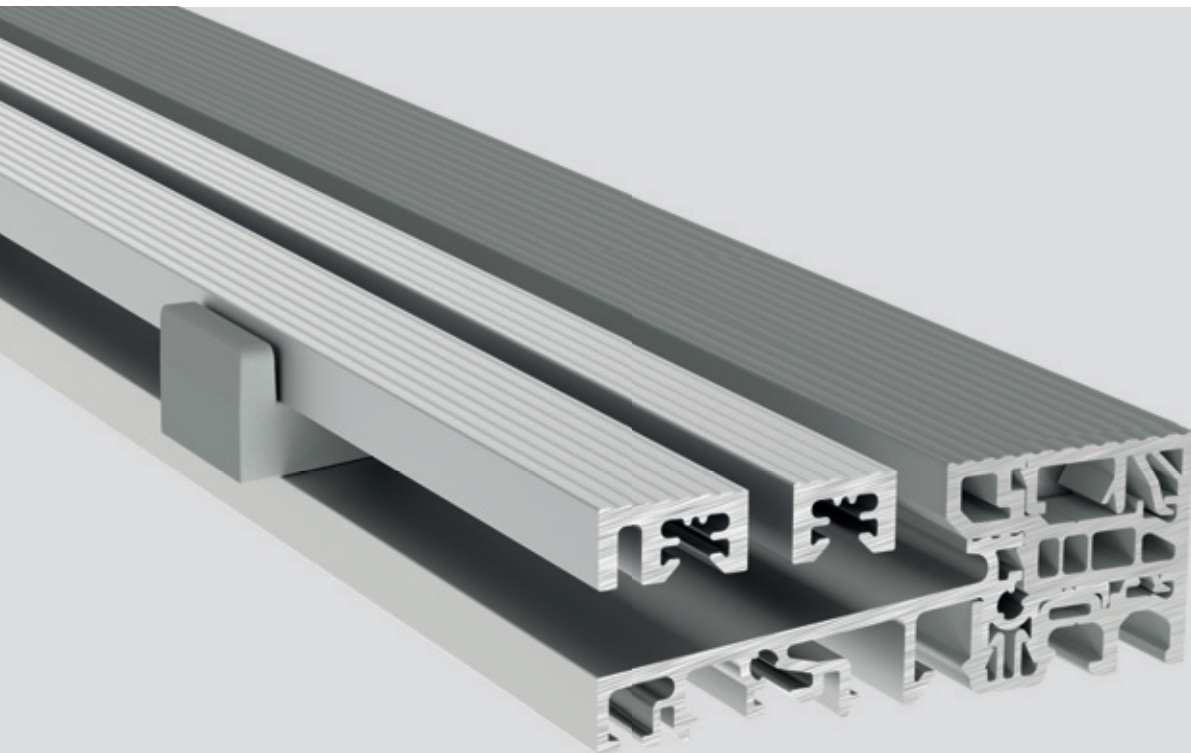
The range of comfort-enhancing products





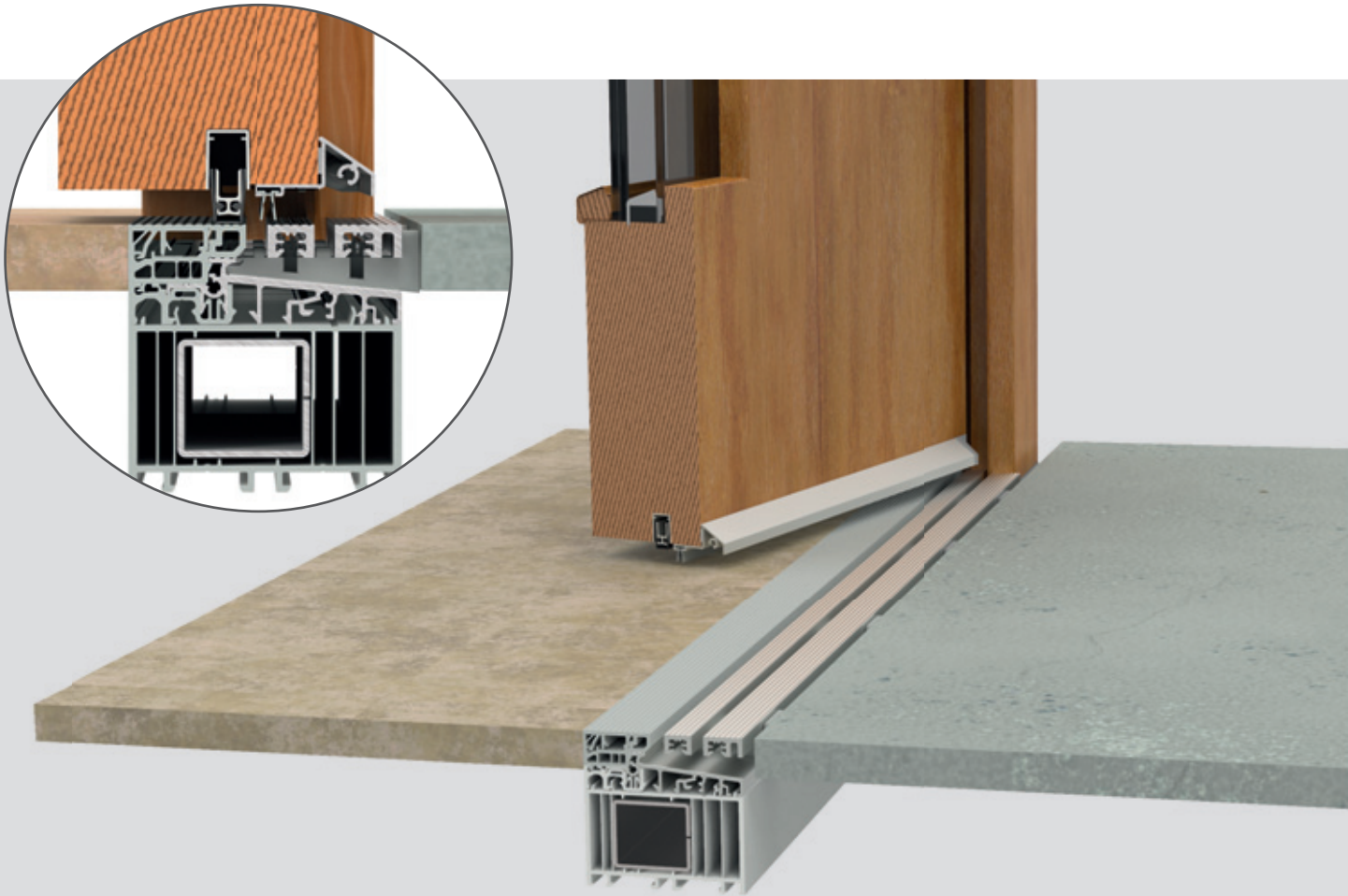
System solution for house entrance doors

The range of comfort-enhancing products



- Solutions for door leaf thicknesses up to 88 mm
- For single and double-leaf elements
- Usual processing
- Same components as for barrier-free balcony-door
- Tested security up to RC2
- Tightness against driving rain up to class 9A





The GU system threshold bb is CE-certified in combination with various profile systems. Use of the thermal break enables energy-efficient doors and balcony doors to be built. The thermal break increases living comfort, as moisture formation in the interior is prevented by constructional design measures. They are available to fit various profile systems. As the threshold is available in many different depths, it is suitable for almost every installation situation.

System solution for balcony-doors

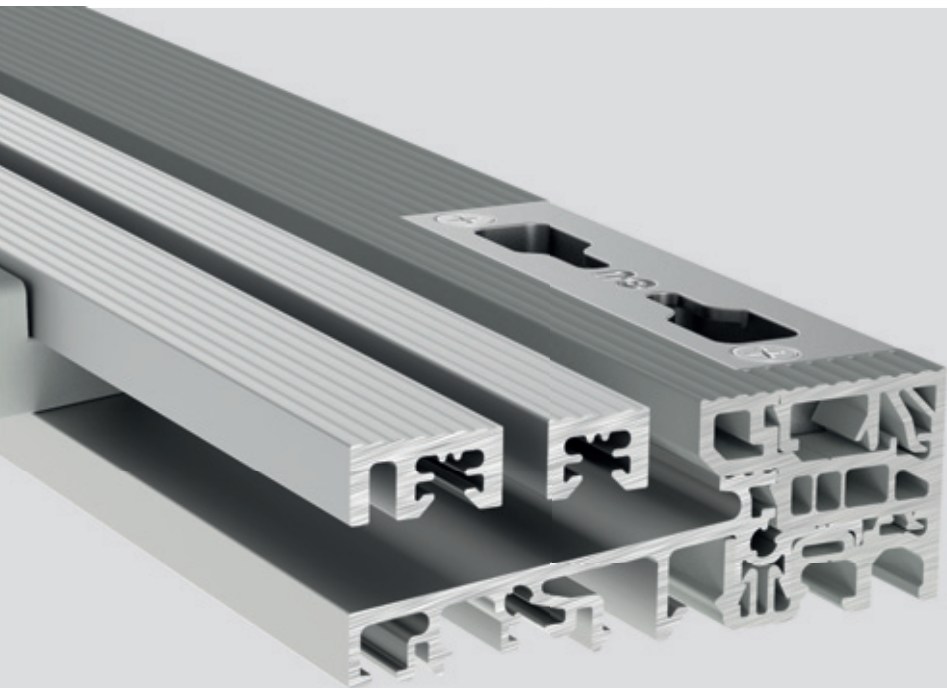
The range of comfort-enhancing products



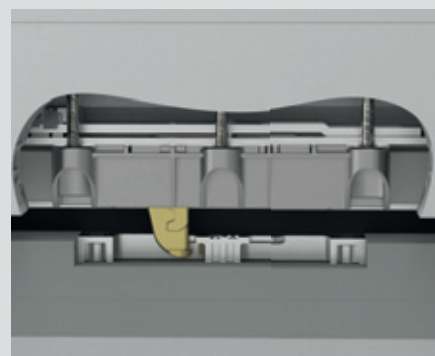


System solution for balcony-doors

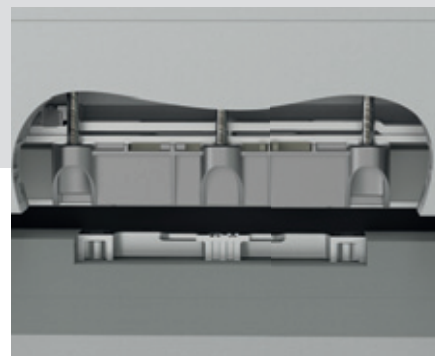
The range of comfort-enhancing products



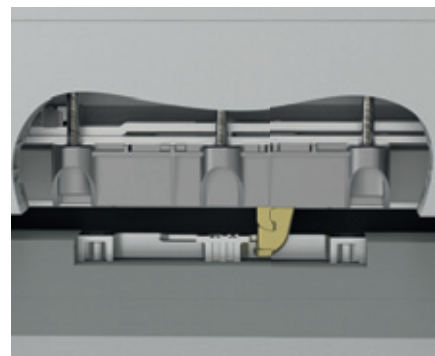
Patented additional lock



Tilt position

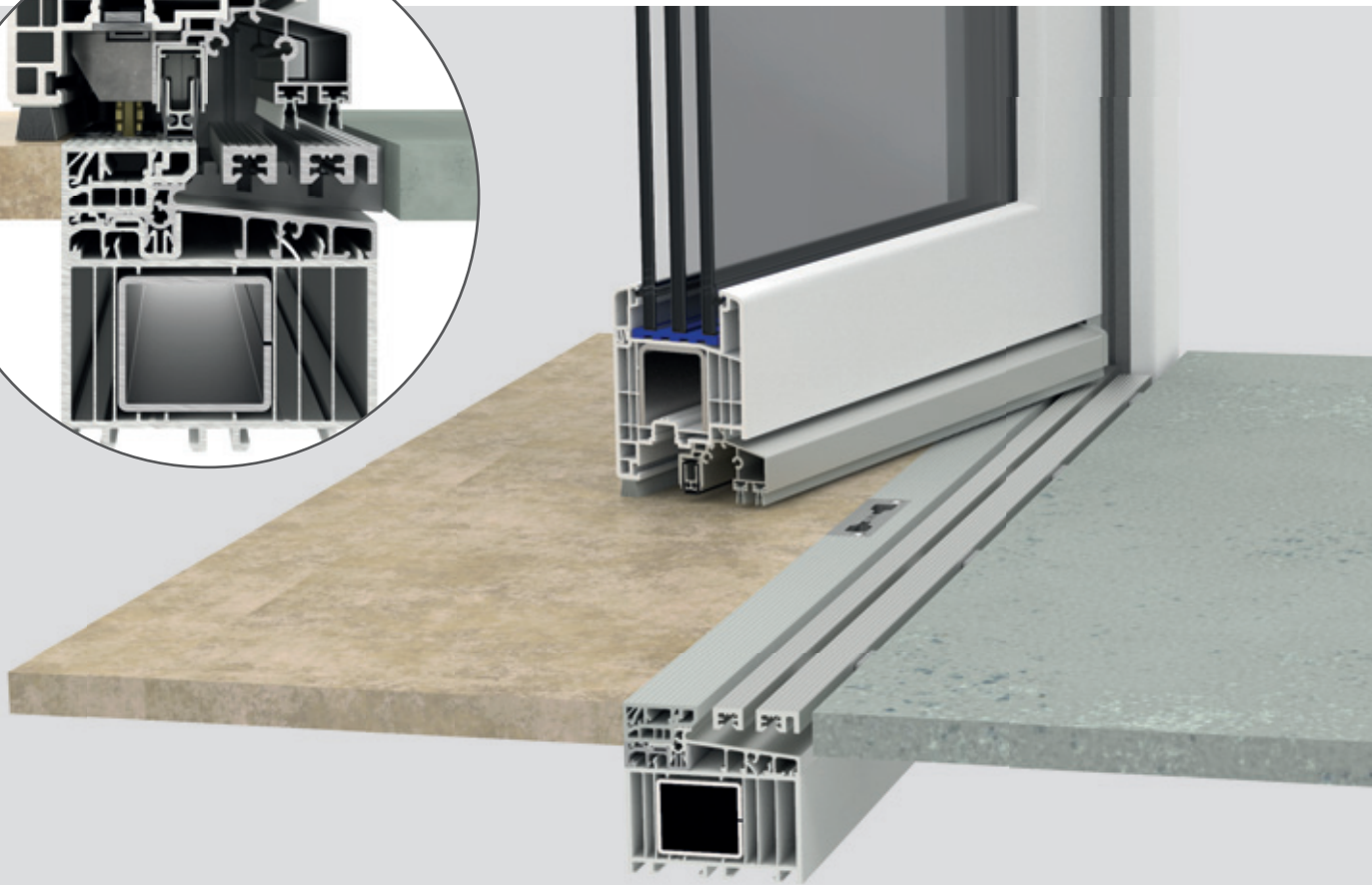
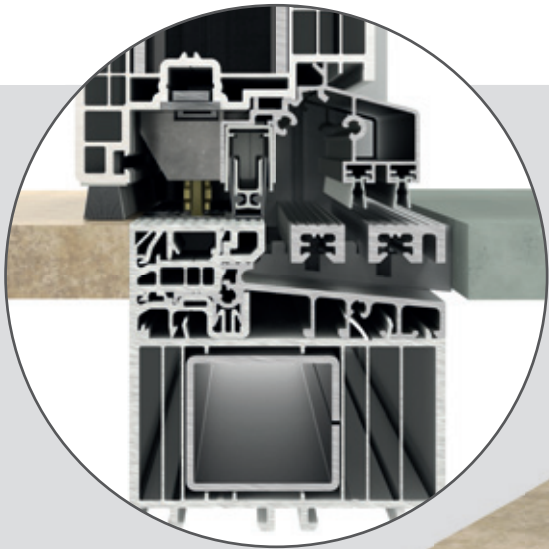


Turn-Only position



Secure locked position

- The patented additional lock by GU also allows the standard Tilt&Turn hardware to be used with the barrier-free solution
- Tilt-First is also possible
- Tested security also for 2-sashed elements up to RC2
- Tightness against driving rain up to class 9A



In addition, strikers can be installed flush in balcony-doors, in an area of the threshold that is specially designed for this purpose. This patented additional lock by GU also allows the standard Tilt&Turn hardware to be used with the barrier-free solution. Even Tilt-First is also unproblematic. Furthermore, this solution is even suitable for 2-sash elements RC 2 / RC 2 N.

System solution for Lift&Slide elements

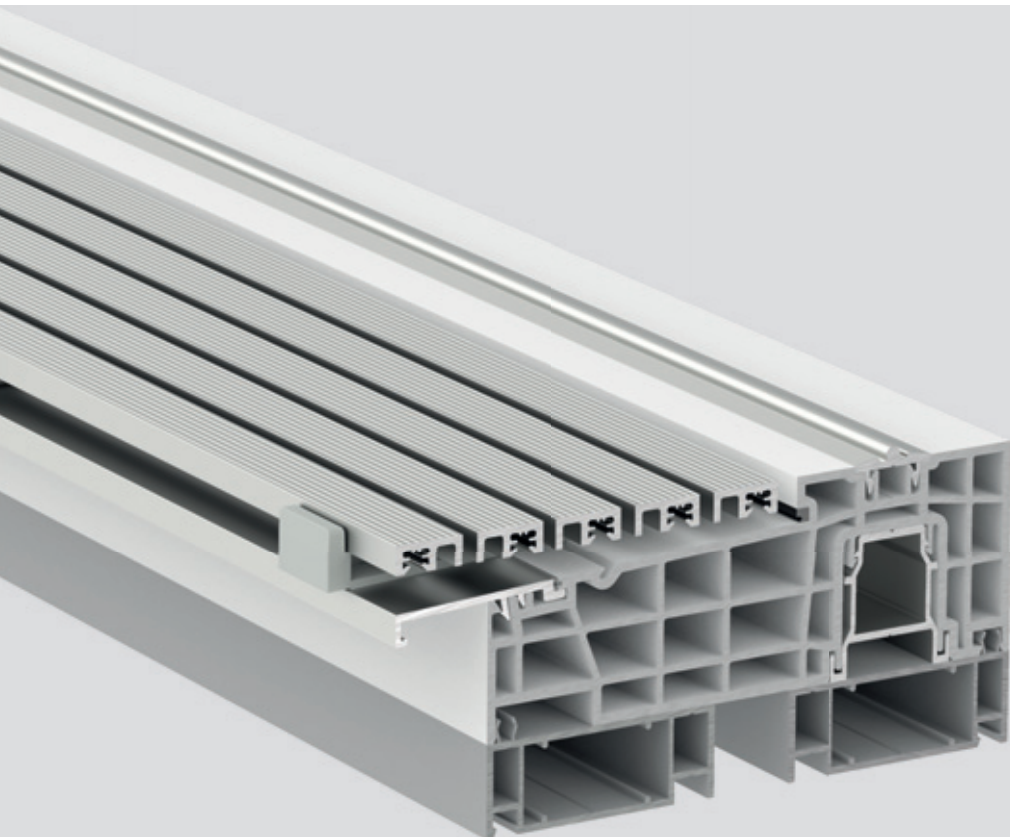
The range of comfort-enhancing products



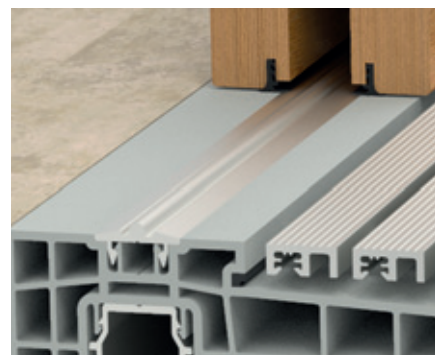


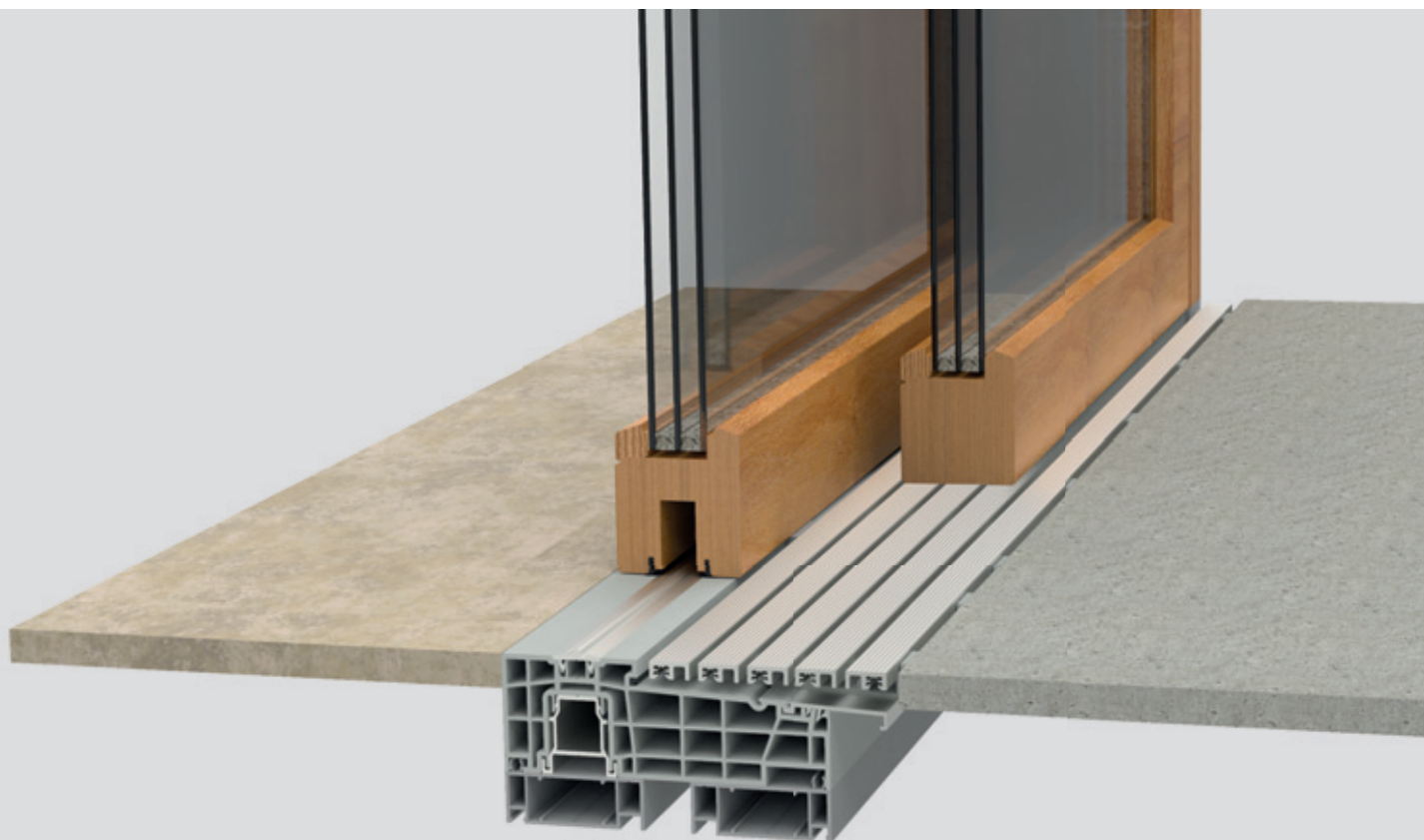
System solution for Lift&Slide elements

The range of comfort-enhancing products



- Accessibility is achieved using a few additional components
- Fabricators can fabricate barrier-free doors without having to change their production
- Retrofitting in already existing projects possible
- Low maintenance and care due to removable profiles
- The threshold-to-structure connection remains unchanged





In the area of Lift&Slide elements, the barrier-free solution can be used with all GU-thermostep 164 and GU-thermostep 204 thresholds. It is system-compatible and identical in appearance to the solution for house entrance doors and balcony-doors. As far as the fabricator is concerned, everything from production through installation in the building remains the same. The components that provide barrier-free passage are simply added.

Application ranges and benefits

The range of comfort-enhancing products



Application ranges and benefits for architects and planners

Application ranges

- House entrance doors, secondary entrance doors and balcony-doors
- Doors in escape and rescue routes
- Especially suitable for barrier-free doors, e.g. in care homes, hospitals, residential homes for persons with disabilities, kindergartens
- Matched to the relevant profile system for single sash and double sash elements with mullions, or alternatively with dummy-mullion sash and also door combinations with fixed panels

Benefits

- Uniform, harmonious appearance for all door types
- Suitable for burglar-inhibiting elements, high security up to RC2 according to EN 1627
- High tightness against driving rain (also with double-leaf elements), free choice of draining system
- Assessed sound-absorption value of joints $R_{s,w}$ up to 47 dB
- Optimum thermal insulation

Suitable for barrier-free construction in compliance with DIN 18040





Collection E+ / Getty Images

Application ranges and benefits for the fabricator

Application ranges

- House entrance doors, secondary entrance doors and balcony-doors
- Matched to the relevant profile system for single sash and double sash elements with mullions, or alternatively with dummy-mullion sash and also door combinations with fixed panels

Benefits

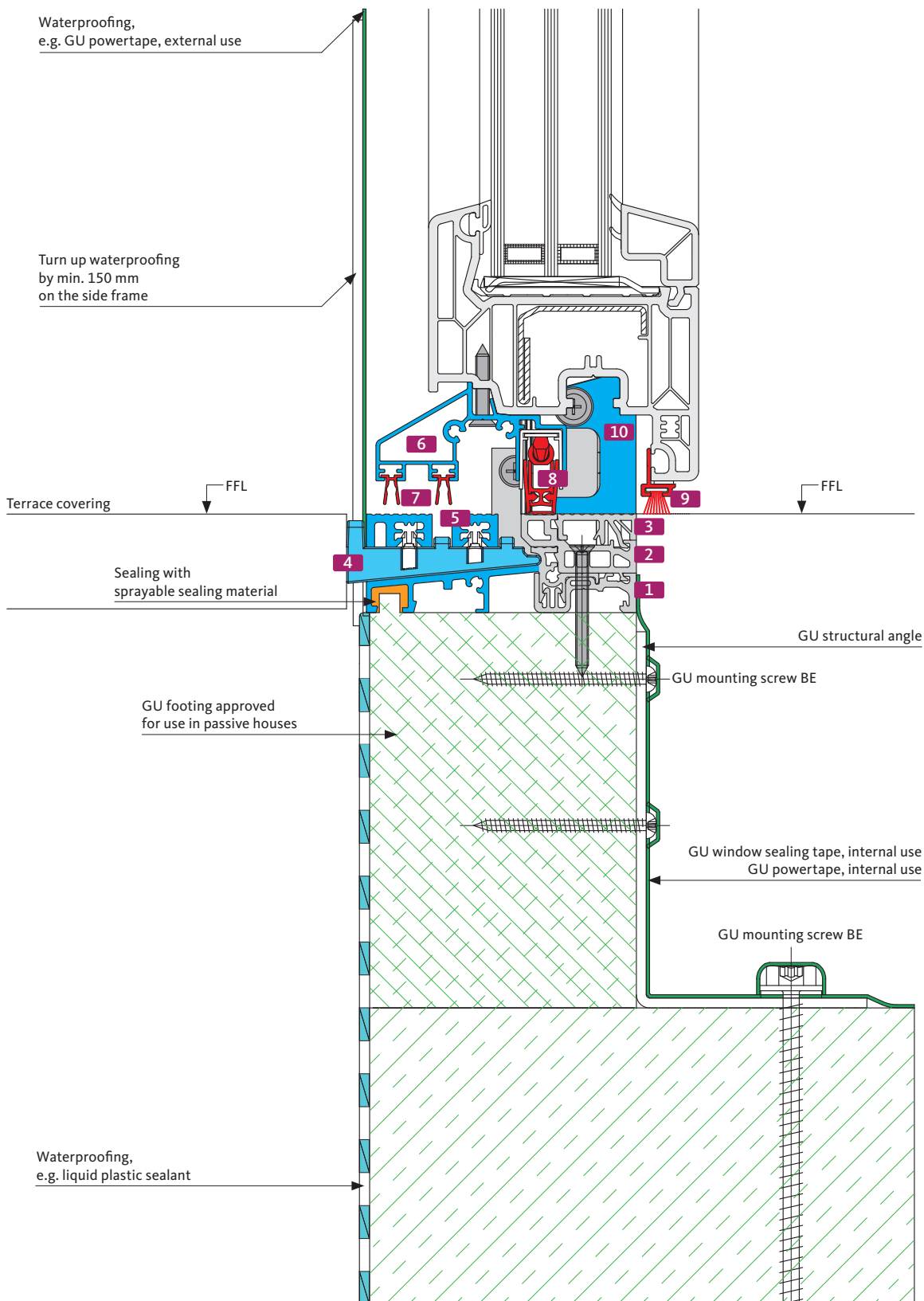
- Reduced stock-keeping: the same components can be used to produce house entrance doors and balcony-doors
- A few additional components turn the GU system threshold into the GU floor-flush system threshold
- Gaskets and structural connections of the threshold remain unchanged
- Circumferential locking remains unchanged
- No additional milling work on the element
- Simple and easy installation
- Pre-assembly on request
- Clear separation of the window fabrication and building waterproofing trades in the project

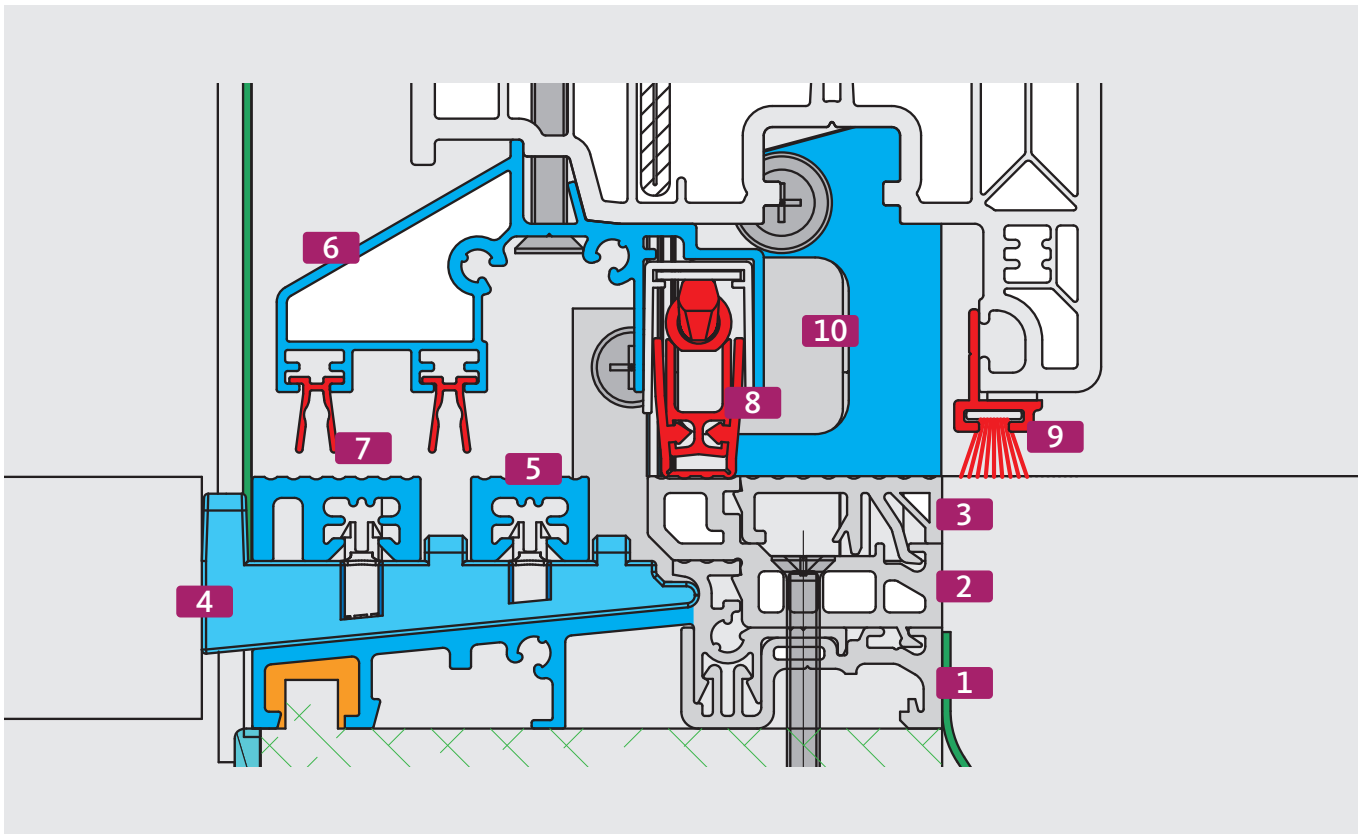
Suitable for barrier-free construction in compliance with DIN 18040



GU system threshold bb

Components





GU system threshold 20 mm – base profile

The thermally-broken **1 GU system threshold** with 20 mm installation height is extended with the **2 levelling profile** to create a floor-flush threshold system.

GU system threshold – cover profile with optional striker and additional lock

The 24 mm wide security strikers can be integrated into the **3 GU system threshold**. When combined with any standard Tilt&Turn hardware, the patented additional lock allows the balcony-doors to be securely locked.

Ample drainage is provided in the threshold system on the outside of the element between the **4 support bridges** and **5 support profiles**. The width of the anodised aluminium support profiles is modified to match the specific profile.

The **6 drip rail** is made of anodised aluminium and supports the drop-down seal which achieves an elegant closure on the underside of the door sash. The end caps are adapted for the specific profile.

The **7 lip seals** protect the lowerable floor seal from driving rain.

The adjustable **8 drop-down seal** ensures a permanently wind-tight and waterproof closure in combination with the rebate sealing elements.

The **9 support profile with brush seal** establishes condensation-proof thermal conditions in the inner rebate area in front of the lowerable floor seal.

The **10 rebate sealing element** ensures that wind and water cannot penetrate the critical rebate corner zone.



WINDOW TECHNOLOGY
DOOR TECHNOLOGY
AUTOMATIC ENTRANCE SYSTEMS
BUILDING MANAGEMENT SYSTEMS

Gretsch-Unitas GmbH
Baubeschläge
Johann-Maus-Str. 3
71254 Ditzingen
Germany
Tel. +49 7156 301-0
Fax +49 7156 301-77980

BKS GmbH
Heidestr. 71
42549 Velbert
Germany
Tel. +49 2051 201-0
Fax +49 2051 201-9733

GU Automatic GmbH
Karl-Schiller-Str. 12
33397 Rietberg
Germany
Tel. +49 5244 9075-100
Fax +49 5244 9075-599

www.g-u.com

Printed in Germany
07/2020
WP00056-04-0-2

Copyright notice

© All illustrations and texts in this publication are protected by copyright. Unless otherwise stated on the image, the rights belong to the Gretsch-Unitas group. Any use of copyright protected materials without the consent of the holder of the rights is prohibited.

Image credits

Page 17 Collection E+ / Getty Images

Publisher

Gretsch-Unitas GmbH Baubeschläge | Johann-Maus-Str. 3 | D-71254 Ditzingen
Tel. + 49 7156 301-0 | Fax + 49 7156 301-293 | www.g-u.com

Securing technology for you

