



WINDOW TECHNOLOGY
DOOR TECHNOLOGY
AUTOMATIC ENTRANCE SYSTEMS
BUILDING MANAGEMENT SYSTEMS



FOR LIFT&SLIDE ELEMENTS MADE OF PVC AND TIMBER



**Preassembled thresholds with
supporting profile CCM (core composite material)**

Securing technology for you



Easy, fast and safe installation

Preassembled thresholds and hardware for Lift&Slide systems



With the preassembly for Lift&Slide systems a service is available that gives you the opportunity to order a threshold that has been completely cropped to the required dimension, predrilled and preassembled, as well as optionally the suitable hardware and accessories. This reduces manufacturing time and manufacturing expenditure which in turn reduces costs for you as fabricator.

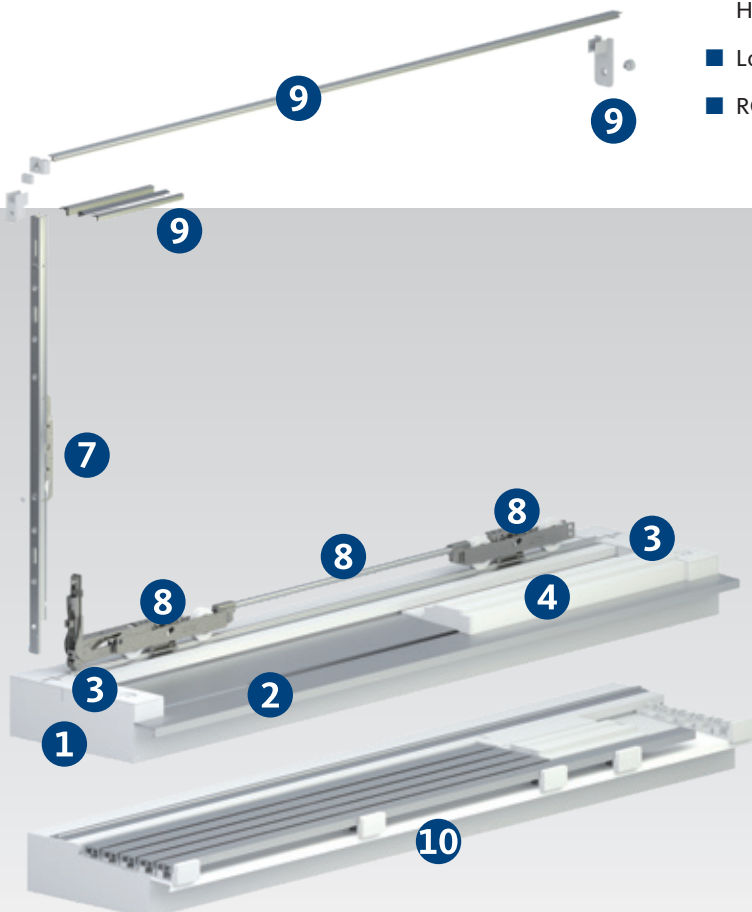
- No stock keeping of individual parts, so reduced inventory size and warehouse costs
- No offcuts and leftover amounts, no waste
- Reduced manufacturing time and costs
- Reduction of errors when cropping to size
- Reduction of errors when calculating and ordering the individual articles
- Delivered in a packing unit according to customer requirements including system-dependent accessories

Highest degree of prefabrication

The scope of delivery includes the threshold cut to the required length, mounted and fixed with screws. The corner connectors are mounted and all required sealing work is done. The hardware components and all required accessories are also cropped to the required dimension, assembled and fixed with screws, or supplied ready for installation.

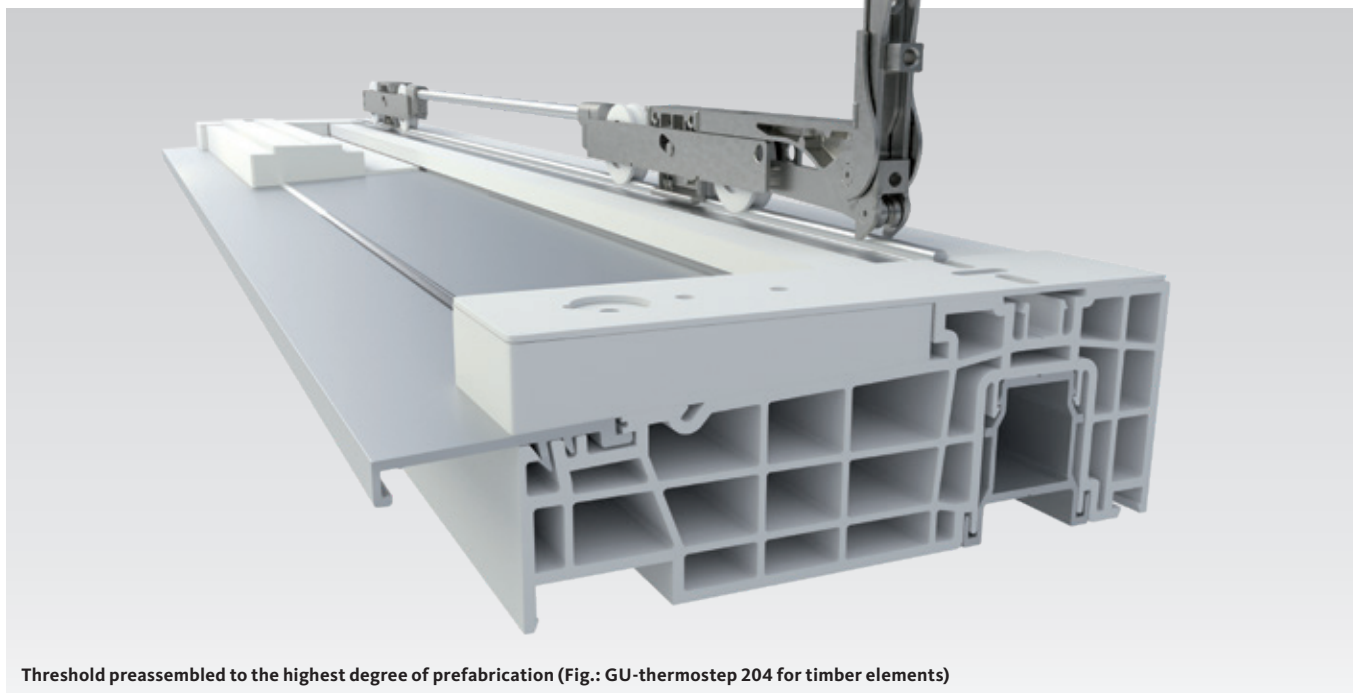
The following hardware articles and accessories can be optionally ordered as an add-on and cropped to the required dimension:

- Extension of drip rail (25, 40, 60 mm)
- Supporting profile CCM
- Guide rail incl. accessories (matched to the corresponding profile system)
- Lift&Slide gear (BS 27.5 mm and BS 37.5 mm)
- Bogies with connecting rod, ready for installation
- DIRIGENT, BELCANTO or RONDO series turn handle
- HS SilentClose or HS StopUnit
- L&S handle damper and tension spring or alternatively HS LiftUnit (matched to the sash weight)
- Locking monitoring set
- RC2 components



Degree of prefabrication using the example of GU-thermostep 204

1	Threshold with end cover	mounted
2	Drip rail	mounted
3	Corner connectors	mounted
4	Attachment track	mounted
not illustrated	Extension of drip rail	optional
not illustrated	Supporting profile	optional
7	Lift&Slide gear	preassembled
8	Bogies with connecting rod	preassembled
9	Guide track incl. accessories	preassembled
10	Floor-flush threshold	optionally preassembled



Threshold preassembled to the highest degree of prefabrication (Fig.: GU-thermostep 204 for timber elements)

The following Lift&Slide systems are available

Systems with GU-thermostep 204 or 164, GU-timberstep 204 or 164, GU-threshold 47

Lift&Slide system PVC		
Profile systems	Pattern A	Pattern C
Aluplast HST 85	■	■
Gealan S 9000	■	■
Profine PremiDoor 76	■	■
Rehau Geneo	■	■
Rehau Synego	■	■
Salamander evolutionDrive	■	■
Schüco LivingSlide	■	■
VEKA Slide 70	■	■
VEKA Slide 82	■	■
Further patterns on request.		

Lift&Slide system timber or timber/aluminium		
Sash thickness [mm]	Pattern A	Pattern C
68	■	■
78	■	■
80	■	■
88	■	■
90	■	■
92	■	■
110	■	■
Further patterns and sash thicknesses on request.		

Systems with GU-threshold GRP 184s

Lift&Slide system timber/aluminium		
Profile systems	Pattern A	Pattern C
Gutmann Smart P2	■	■
Eschbal Sirius	■	■



The path to your preassembled threshold

If you have any questions on the topic of **L&S preassembly** you can contact us at:

@ VOKO-HS@g-u.de

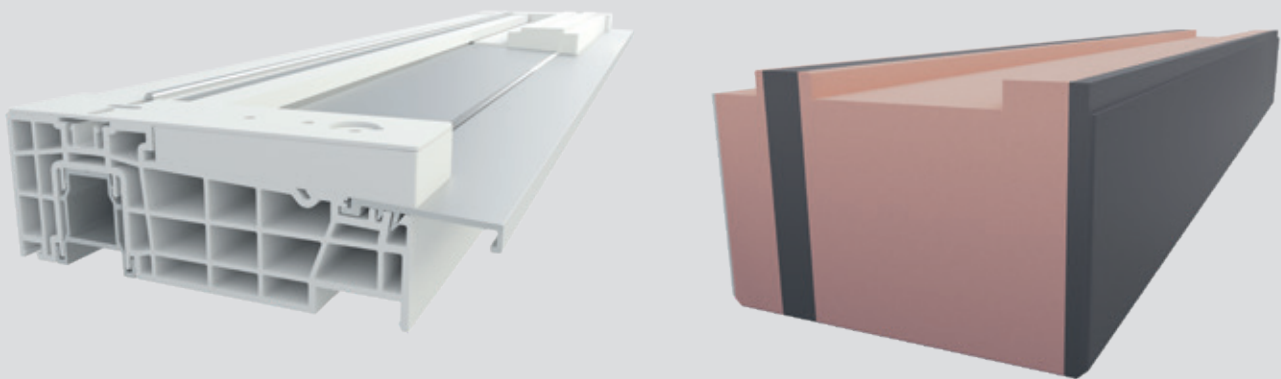
07156-301-816

07156-301-77816

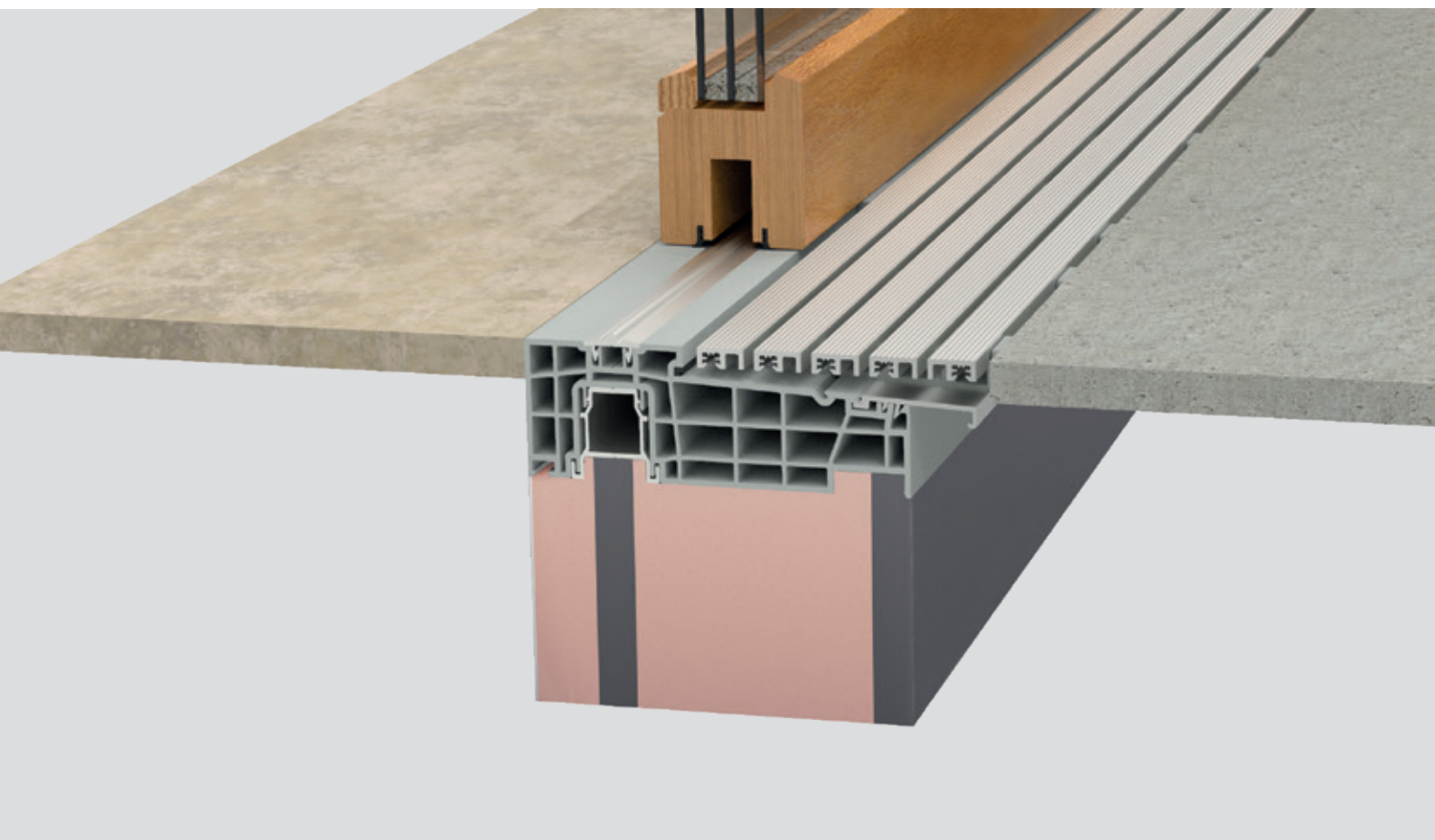
You can use the adjacent QR codes to download the order forms and the useful processing instructions.

Supporting profile CCM

Preassembled threshold for use with CCM supporting profile



In the area of Lift&Slide elements, the supporting profile CCM can be used with all GU-thermostep thresholds. Its low weight, simple and fast processing and material properties of our CCM supporting profile are just a few of the advantages in comparison with common products on the market.



Overview of features

- On the inside and on the outside mounted flush with the threshold, thus an optimum structural connection is ensured.
- Low weight (in comparison with common PVC supporting profiles with reinforcement)
- No steel reinforcement required
- Easy and quick processing with already existing machines and tools
- Reduced processing time (in comparison with common supporting profiles)
- Advantageous material features (in comparison with common supporting profiles)
- Very good thermal insulation properties
- High resistance values for compressive or bending stresses
- High extraction values for screw-fixing

Supporting profile CCM

Order information



Notes on order information

In case of stock items order, the profile length is 4000 mm and the profiles can be connected to one another endlessly. When ordered as a preassembled item, the supporting profile is cropped to the individually required dimension.

The supporting profiles are available as standard with installation depths of 189 mm, 194 mm and 204 mm and installation heights of 80 mm, 100 mm and 140 mm per installation depth.

Further variants in installation heights 60 mm, 160 mm, 200 mm and 210 mm and/or installation depths 197 mm and 207 mm are available on request depending on quantity.

The upper side of the supporting profiles has a special shape, so that they are positively connected to the threshold. The installation depths are selected so that, in combination with the threshold, they are always flush with the surface on the inside and outside and form a continuous level with the side frames for an optimum structural connection.

To determine the correct size, please measure the installation depth of your individual threshold from the GU product programme.

Supporting profile CCM for GU-Thermostep 204

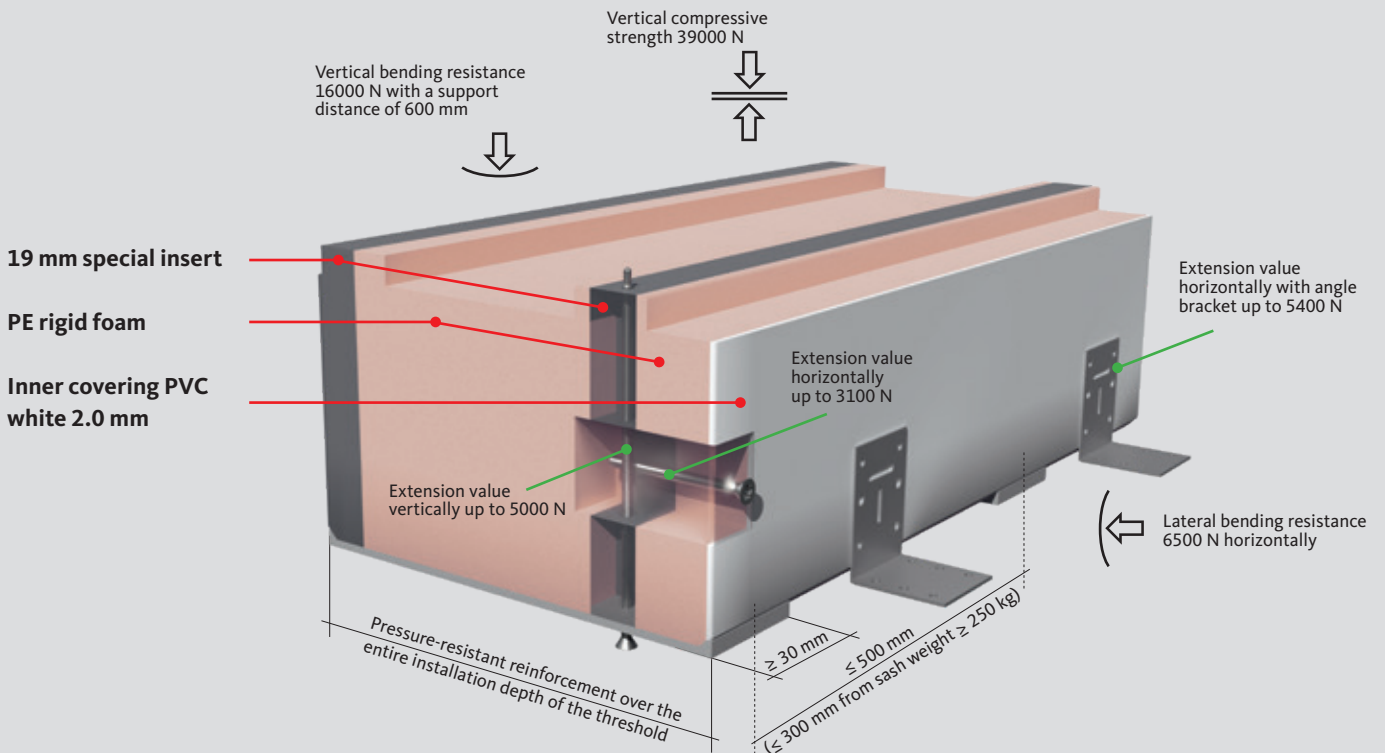
Designation	Installation depth [mm]	Installation height [mm]	Length [mm]	Order number
L&S supporting profile CCM for thermostep 204 189/80	189	80	4000	P-02337-40-0-0
L&S supporting profile CCM for thermostep 204 189/100	189	100	4000	P-02339-40-0-0
L&S supporting profile CCM for thermostep 204 189/140	189	140	4000	P-02343-40-0-0
L&S supporting profile CCM for thermostep 204 194/80	194	80	4000	P-02384-40-0-0
L&S supporting profile CCM for thermostep 204 194/100	194	100	4000	P-02386-40-0-0
L&S supporting profile CCM for thermostep 204 194/140	194	140	4000	P-02390-40-0-0
L&S supporting profile CCM for thermostep 204 204/80	204	80	4000	P-02478-40-0-0
L&S supporting profile CCM for thermostep 204 204/100	204	100	4000	P-02480-40-0-0
L&S supporting profile CCM for thermostep 204 204/140	204	140	4000	P-02484-40-0-0



Notes on material features

(The test values as well as the data refer to the material, not to the component)

- Homogeneous, closed-celled, high-pressure resistant, water-repellent, non-degradable, ageing-resistant
- CFC-free as well as HCFC-free
- Reduced energy loss and outstanding thermal insulation
Nominal value of thermal conductivity according to DIN EN 13164 = 0.032 W/mK
- Rated value of thermal conductivity according to DIN 4108 and EN ISO 10077 = 0.035 W/mK
- Fire behaviour according to DIN EN 13501-1: euro class E
- Bulk density according to DIN EN 1602 = 35 kg/m³
- Vertical compressive strength according to DIN EN ISO 844 = 39000 N
- Bending resistance on edge with a block spacing of 600 mm based on DIN EN ISO 178 = 16000 N
- Bending resistance in length / laterally based on DIN EN ISO 178 = 6500 N
- Screw extension value vertically with screw-fixing in special insert up to 5000 N
- Screw extension value horizontally up to 3100 N





Notes on processing

Extending the supporting profiles is quick and easy and can be used for all supporting profile variants. For processing instructions, please see the download area in the technical documentation for Lift&Slide hardware.

Processing recommendation

For supporting profiles made of core composite material (CCM) in combination with thresholds for Lift&Slide hardware from Gretsch-Unitas, the following must be observed:

- No sealing with bitumen black coat or bitumen sheets

The watertight production of the sealing between the L&S threshold and the CCM supporting profile towards the building must never be made with the usual bitumen coating or bitumen sheets.

Chemical processes (e.g. plasticiser migration) can cause irreparable destruction of the CCM substructure profiles.

- Do not expose to heat from open flame

Exposure to heat, e.g. by "flaming" a bitumen sealing sheet, must be avoided by any means, as this will destroy the CCM supporting profiles.

We recommend sealing sheets made of EPDM or liquid coatings made of PMMA

For further notes concerning processing and production of an appropriate structural connection, please see our homepage. You will reach our homepage by use of the following QR code.



All supporting profiles are equipped with an information sticker so that you can access our processing recommendations directly via the QR code on the right.



GU 1K installation adhesive, crystal clear

Product description

GU-1K installation adhesive crystal clear is a high quality, crystal clear, neutral, elastic one-component adhesive and sealing compound based on a hybrid polymer. It can be used for a universal range of applications.

Order information

Designation	Packing	Contents	Colour	PU/Box	Order number
GU 1K installation adhesive, crystal clear	Soft-pack	600 ml	Crystal clear	20 pcs	H-01893-60-0-0



GU coupling drilling screw BE3

Product characteristics

- Easy to handle as the frame to be coupled is pre-drilled
- The drill bit ensures optimum drilling capacity in reinforcement steel up to 2 mm
- Steel, case hardened
- Climadur coated – high-quality coating to improve corrosion protection (Kesternich test comprising 15 cycles, DIN 50018, 1997)
- Lengths from 35 mm up to 300 mm

Applications

- For coupling of profiles with window hinges, window/balcony-door combinations or similar made of PVC and wood-based materials
- Also suitable for doubling up of frames

Processing

- Pre-drilling with 4 mm

Order number

- H-01841-**-0-1

Supporting profile CCM

Installation material



GU fixing bracket, heavy

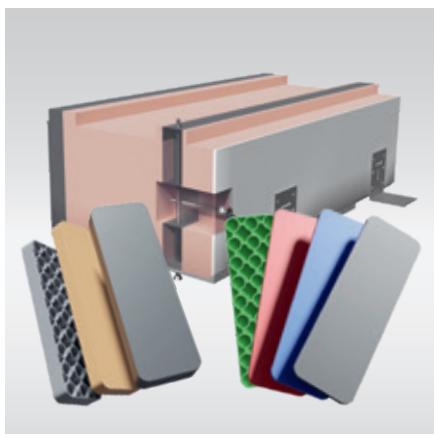
Product characteristics

GU fixing bracket for professional installation of windows and doors

- Straightforward and professional installation with screws
- Reinforcing rib provides high degree of stability
- Possibility of adjustment via oblong holes
- Various round hole spacings provide flexible fastening options
- Ideal for installation of full-height elements (windows/balcony-doors)

Order information

Designation	Dimensions (mm)	PU	Order number
GU fixing bracket, heavy	40 x 80 x 75 x 3	50 pcs	H-01846-01-0-1
	110 x 80 x 75 x 3	25 pcs	H-01846-02-0-1
	150 x 80 x 75 x 3	25 pcs	H-01846-03-0-1



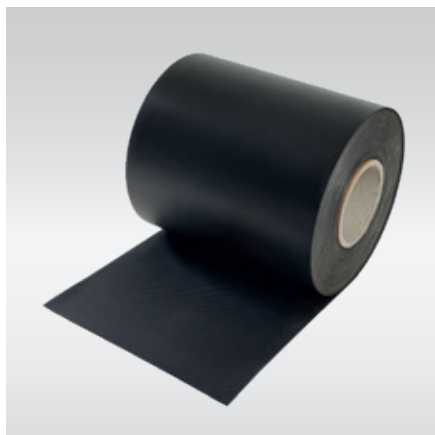
GU packer plate

Product characteristics

Pressure-resistant reinforcement for the installation of the threshold

Order information

Designation	Length x Width	Height	Colour	PU	Order number
GU packer plate	180 x 60 mm	1 mm	Black	250 pcs	H-01981-01-0-0
	180 x 60 mm	2 mm	Blue	250 pcs	H-01981-02-0-0
	180 x 60 mm	3 mm	Red	250 pcs	H-01981-03-0-0
	180 x 60 mm	5 mm	Green	250 pcs	H-01981-05-0-0
	180 x 60 mm	10 mm	Brown	100 pcs	H-01981-10-0-0
	180 x 60 mm	15 mm	Grey	100 pcs	H-01981-15-0-0
	180 x 60 mm	20 mm	Black	100 pcs	H-01981-20-0-0



GU-EPDM outside sealing

Product description

GU EPDM sealing sheet is available in 0.8 mm thicknesses and enables you to make windows and façade connections durably air-tight and watertight or even impervious to water vapour, with the required permanent elasticity. When the German Energy Saving Ordinance (Energieeinsparverordnung, EnEV) came into force, it set even more stringent requirements in terms of sealing connecting joints in the building envelope.

These required values can also be tested at any time (blower door test).

Order information

Designation	Thickness	Width	Length of roll	Butyl strip	Colour	PU	Order number
GU-EPDM outside sealing with SK butyl strip	0.8 mm	100 mm	20 m	20 mm	Black	160 m	H-01984-10-0-0
	0.8 mm	150 mm	20 m	20 mm	Black	80 m	H-01984-15-0-0
	0.8 mm	200 mm	20 m	40 mm	Black	80 m	H-01984-20-0-0
	0.8 mm	250 mm	20 m	60 mm	Black	40 m	H-01984-25-0-0
	0.8 mm	300 mm	20 m	60 mm	Black	40 m	H-01984-30-0-0
	0.8 mm	350 mm	20 m	60 mm	Black	40 m	H-01984-35-0-0
	0.8 mm	400 mm	20 m	60 mm	Black	40 m	H-01984-40-0-0
	0.8 mm	450 mm	20 m	60 mm	Black	40 m	H-01984-45-0-0
	0.8 mm	500 mm	20 m	60 mm	Black	40 m	H-01984-50-0-0

Other dimensions and thicknesses available on request.



WINDOW TECHNOLOGY
DOOR TECHNOLOGY
AUTOMATIC ENTRANCE SYSTEMS
BUILDING MANAGEMENT SYSTEMS

Gretsch-Unitas GmbH
Baubeschläge
Johann-Maus-Str. 3
71254 Ditzingen
Germany
Tel. +49 7156 301-0
Fax +49 7156 301-77980

BKS GmbH
Heidestr. 71
42549 Velbert
Germany
Tel. +49 2051 201-0
Fax +49 2051 201-9733

Gretsch-Unitas AG
Industriestr. 12
3422 Rüdligen
Switzerland
Tel. +41 34 44845-45
Fax +41 34 44562-49

GU Baubeschläge Austria GmbH
Mayrwiesstr. 8
5300 Hallwang
Austria
Tel. +43 662 664830
Fax +43 662 664830-301

www.g-u.com



Copyright notice

© All illustrations and texts in this publication are protected by copyright. Unless otherwise stated on the image, the rights belong to the Gretsch-Unitas group. Any use of copyright protected materials without the consent of the holder of the rights is prohibited.

Publisher

Gretsch-Unitas GmbH Baubeschläge | Johann-Maus-Str. 3 | D-71254 Ditzingen
Tel. + 49 7156 301-0 | Fax + 49 7156 301-293 | www.g-u.com

Securing technology for you

