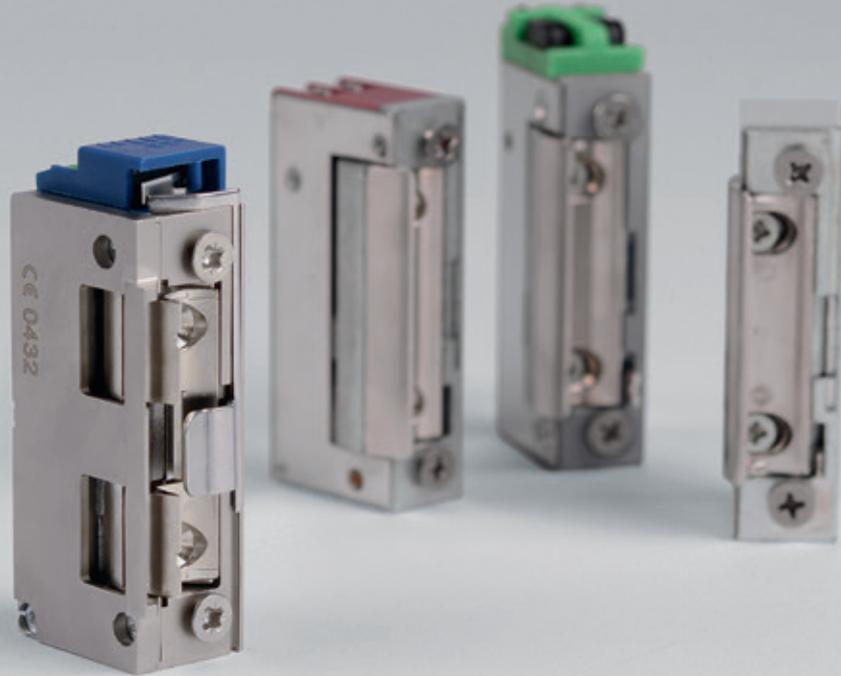




WINDOW TECHNOLOGY  
DOOR TECHNOLOGY  
AUTOMATIC ENTRANCE SYSTEMS  
BUILDING MANAGEMENT SYSTEMS



DOOR TECHNOLOGY

## GU-BKS electric strikes ET 8

Securing technology for you



# Modern technology – the Gretsch-Unitas group



By courtesy of kap Planungsbüro für Bauleistungen GmbH, Fellbach

## Commitment to tradition – setting the highest design and quality standards

### A corporate group with tradition

For over 100 years, the owner-managed GU group has been fascinated with the opening, moving, closing and locking of windows and doors. Technical innovations and continual development of architectural hardware technology have and will continue to shape forces in the market, setting new standards and trends for the future.

### The Gretsch-Unitas group

The group consists of more than 50 manufacturing and sales companies in more than 35 countries. With the internationally leading brands GU (architectural hardware), BKS (locks, locking systems) and FERCO (architectural hardware), the group offers "Securing technology for you".

### Corporate group product overview

In its window technology, door technology, automatic entrance systems and building management systems divisions, the GU group manufactures and distributes about 30,000 products which are easy to combine.

### Securing technology for you

We use the major challenges of creating innovative and visionary system solutions to break new ground. Together with architects, planners and profile system manufacturers, we develop individual comprehensive solutions.

<b>Fitting the profile</b>	Page
GU-BKS electric strikes ET 8 .....	4
<b>Technical design and performance features</b>	
The modern way.....	5
<b>Design variants of GU-BKS electric strike ET 8</b>	
Functionality in a nutshell .....	6–7
<b>Technical data</b>	
Technics in a nutshell .....	8
<b>GU-BKS electric strikes ET 8</b>	
Design variant: standard, without latch slide cover .....	9
Design variant: standard, with latch slide cover .....	10
Design variant: fire-rated .....	11
Design variant: METÖ .....	12
Design variant: METÖ, fire-rated .....	13
<b>Accessories</b>	
Surface attachments .....	14
<b>Profile systems</b>	
made of PVC .....	15–17
<b>Classification codes and abbreviations</b> .....	18
<b>Glossary of function types</b> .....	19

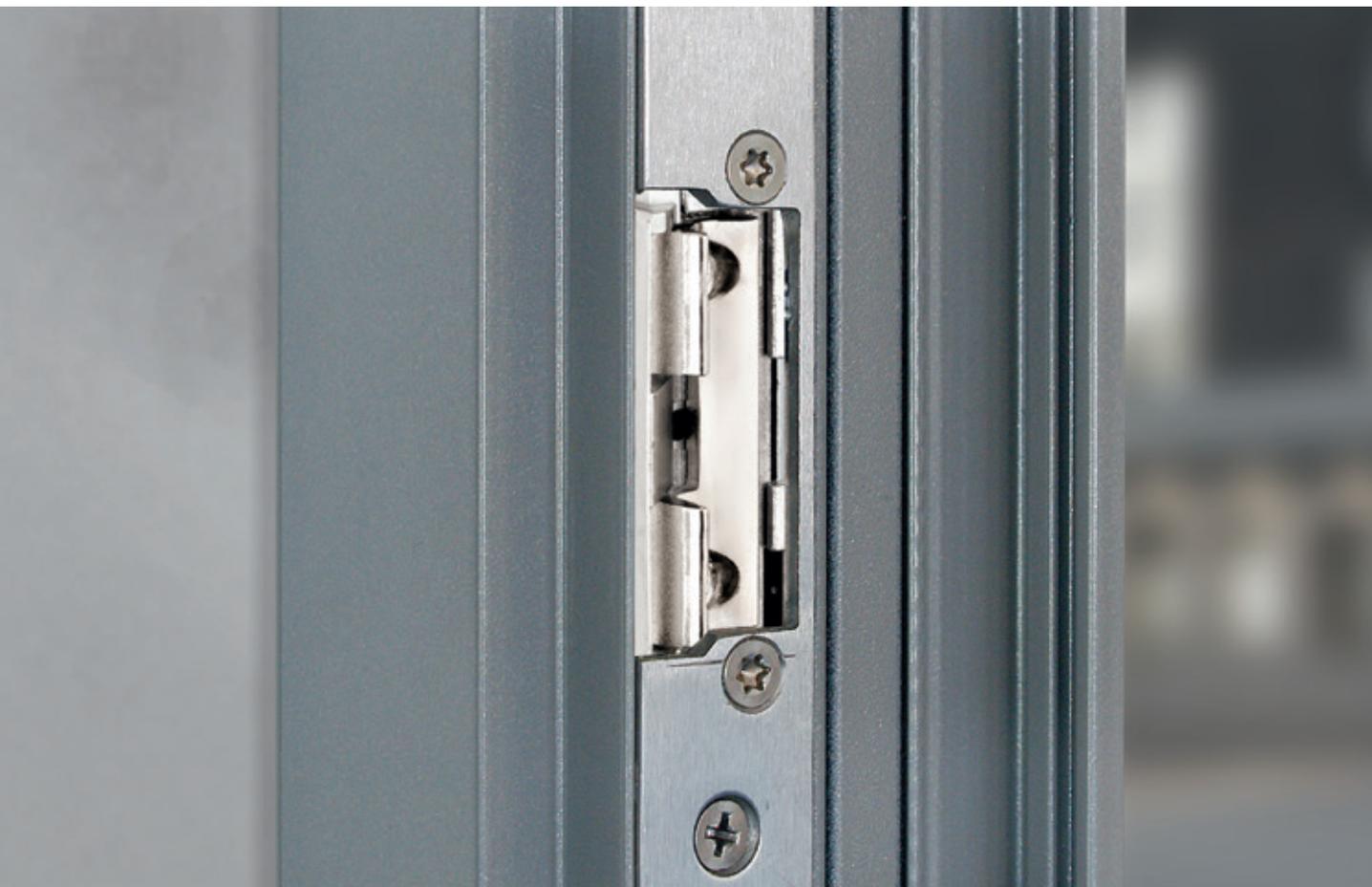
#### Copyright notice

All images and texts in this brochure are copyright protected. Unless otherwise stated on the image, the rights belong to the Gretsch-Unitas group. Any use of copyright protected materials without the consent of the holder of the rights is prohibited.

Publisher  
 Gretsch-Unitas GmbH  
 Baubeschläge  
 Johann-Maus-Str. 3  
 71254 Ditzingen, Germany  
 Tel. +49 7156 301-0  
 Fax +49 7156 301-293  
 www.g-u.com

# Fitting the profile

GU-BKS electric strikes ET 8



## The GU-BKS electric strikes ET 8

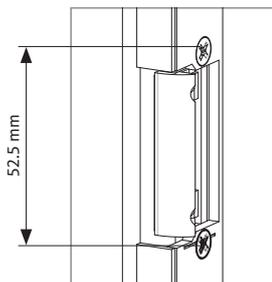
The compact design, the radius keeper, plus the extra benefit of a latch slide cover make it possible to accommodate the GU-BKS electric strikes ET 8 without having to cut the profile. The adjustable radius keeper enables the gasket pressure of the door to be adjusted in two steps so the door will always be shut tightly.

## Advantages of the GU-BKS electric strikes ET 8

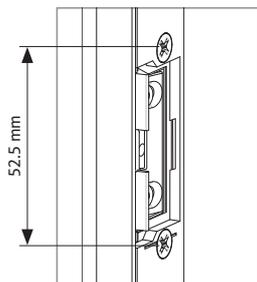
- Appearance of profile remains unaffected
- Increased door tightness, reduced energy loss
- Little installation effort

## Retrofitting

Thanks to its compact design and 52.5 mm screw centres, the GU-BKS electric strike ET 8 can be retrofitted into existing profiles easily.



Standard installation



Concealed installation

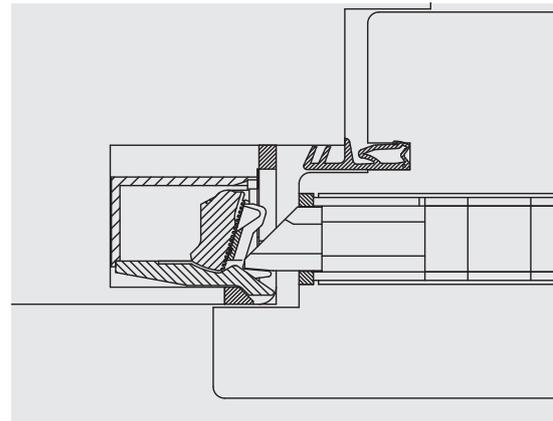
### Technical design and performance features:

- Symmetrical design – non-handed use
- **Small and compact size**  
16 mm wide, 28.4 mm deep and only 65.5 mm high  
(version with contact 72.5 mm high, version with latch slide cover 19 mm wide)
- **Radius keeper**
  - 2 mm adjustable in 2 steps
  - 3 mm adjustable with fire-rated version in 3 steps
  - Strikes with latch slide cover (version F) save the effort of cutting the front edge of the frame profile
  - Tightness and appearance of the door are maintained
  - Uninterrupted profile edge reduces energy losses
- **Voltage ranges**
  - Standard operating voltage 9–24 V AC/DC, +/-10%
  - With high-preload controller 6–28 V AC/DC, +/-10%
- **Pole reversal-proof overvoltage protection**  
Thanks to bipolar TVS diode allowing the strikes to be connected with electronic control units (EMC protection)
- High break open resistance > 4500 N
- High preload unlocking at AC > 250 N
- Optimum compatibility with profiles
- Monitoring contact (K)
- Mechanical override (E)
- **Connection**
  - clampable/pluggable
  - connection via existing cable with high-preload controller

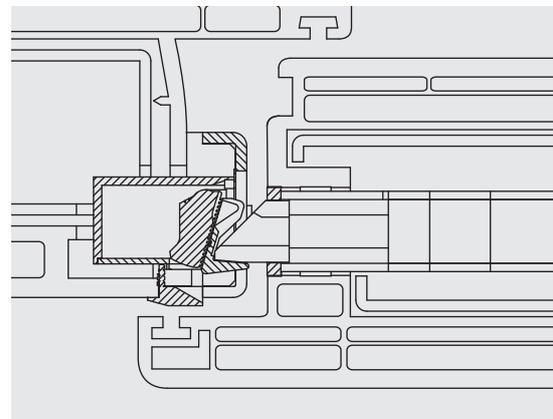
### The modern way

for installation in timber, PVC and aluminium profiles

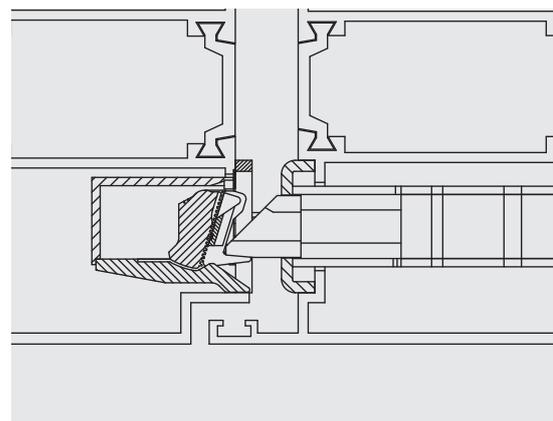
#### Timber



#### PVC



#### Aluminium



# Design variants

Functionality in a nutshell



**Fail-secure GU-BKS electric strike ET8 (A), blue terminal block**

- standard version
- fire-rated version
- METÖ version for 2-leaf panic doors

- Radius keeper
  - 2 mm adjustable in 2 steps (standard)
  - 3 mm adjustable in 3 steps (fire-rated)
- Operating voltage 9-24 V AC/DC, +/-15%
- Clampable/pluggable connection
- Symmetrical design, therefore DIN left-hand/right-hand and horizontally usable



**Fail-safe GU-BKS electric strike ET 8 (R), red terminal block**

- standard version

- Radius keeper
  - 2 mm adjustable in 2 steps (standard)
- Operating voltage 22-28 V DC +/-15 %
- Clampable/pluggable connection
- Symmetrical design, therefore DIN left-hand/right-hand and horizontally usable



**Fail-secure GU-BKS electric strike ET8 (V) with high-preload controller, green terminal block**

- standard version
- fire-rated version

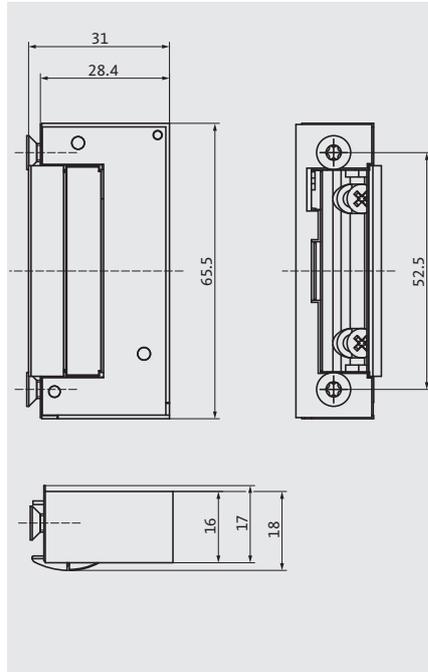
- Radius keeper
  - 2 mm adjustable in 2 steps (standard)
  - 3 mm adjustable in 3 steps (fire-rated)
- Operating voltage 6-28 V AC/DC, +/-15%
- Existing connecting cable
- Symmetrical design, therefore DIN left-hand/right-hand and horizontally usable



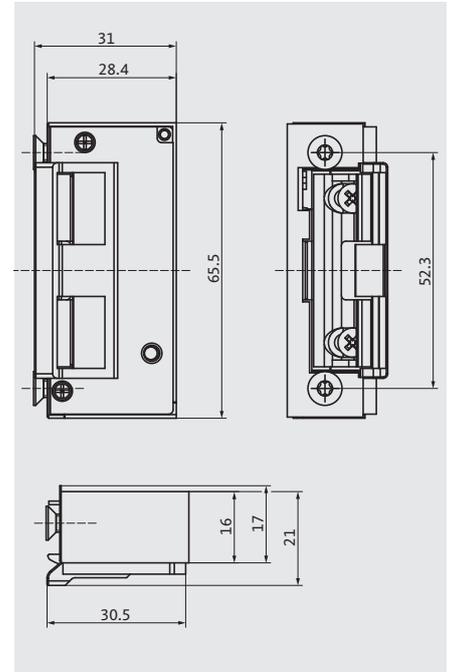
**Interchangeable latch piece,  
grey terminal block**

– standard version

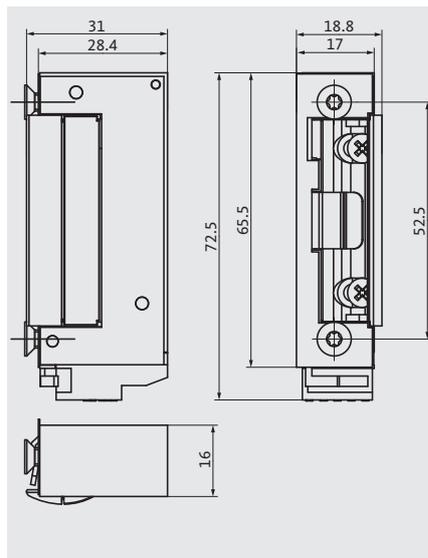
- Radius keeper  
– 2 mm adjustable in 2 steps  
(standard)



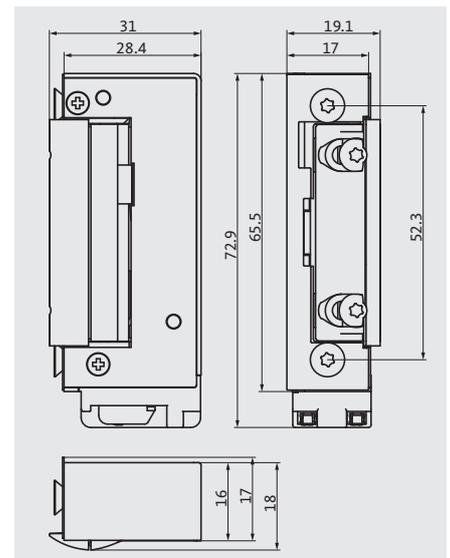
**GU-BKS electric strike ET 8 standard,  
without latch slide cover**



**GU-BKS electric strike ET 8 standard,  
with latch slide cover**



**GU-BKS electric strike ET 8 standard,  
with monitoring contact**



**GU-BKS electric strike ET 8 fire-rated,  
with high-preload controller**



### Technical data

Designation	GU-BKS electric strike ET 8	GU-BKS electric strike ET 8 – fire-rated
Material of housing	Zinc die-cast	Steel
Material of keeper	Zinc die-cast	Steel
Material variant F (with latch slide cover)	Steel	Steel
Adjustment range	2 mm in 2 positions (each with 1 mm detent)	3 mm in 3 positions (each with 1 mm detent)
Break-open resistance	4800 N	8000 N
Keeper	Radius keeper	
Latch keeper: mechanical unlocking standard (E)	~30 N	
Latch keeper: mechanical unlocking, strong latch spring (ES)	~60 N	
Operating temperature	-25 °C up to +70 °C	
Flyback diode	Yes	
Pole reversal-proof	Yes	
Endurance rating	200,000 to EN 14846	
Door handing	Non-handed use	
Installation position	Vertical/horizontal	
Version K with microswitch	With latch monitoring contact (potential-free changeover contact)	
Switching capacity of contact	30 V AC/DC 500 mA	
Installation dimensions (H x W x D)	65.5 x 16 x 28.4 mm	
Dimensions (H x W x D), version K with microswitch	72.5 x 16 x 28.4 mm	

### Operating voltage of fail-secure GU-BKS electric strike ET8, blue terminal block

Voltage	Current	Preload unlocking	Nominal resistance	Operating time
9–24 V AC/DC: 12 V version	AC 250 mA	AC 200 N	43 Ω	< 1 min.
	DC 280 mA	DC 50 N		100% duty ratio
22–28 V AC/DC: 24 V version	AC 60 mA	AC 200 N	200 Ω	< 1 min.
	DC 120 mA	DC 50 N		100% duty ratio

### Operating voltage of fail-safe GU-BKS electric strike ET8, red terminal block

Voltage	Current	Preload unlocking	Nominal resistance	Operating time
9–24 V DC: 24 V version	DC 280 mA	No unlocking with preloaded latch	43 Ω	100% duty ratio
22–28 V DC: 24 V version	DC 120 mA		200 Ω	

### Operating voltage of fail-secure GU-BKS electric strike ET8 with high-preload controller, green terminal block

Voltage	Current	Preload unlocking	Nominal resistance	Operating time
6–28 V AC/DC: Activation at 12 V	AC 500 mA (1.5 s) 210 mA (100%)	400 N	6,5 Ω	100% duty ratio
	DC 300 mA (1.5 s) 110 mA (100%)			
6–28 V AC/DC: Activation at 24 V	AC 195 mA (1.5 s) 60 mA (100%)	400 N	6,5 Ω	100% duty ratio
	DC 240 mA (1.5 s) 90 mA (100%)			



# GU-BKS electric strike ET 8

Design variant: standard, without latch slide cover



## GU-BKS electric strike ET 8 standard, without latch slide cover

Colour of terminal block	A Fail-secure	R Fail-safe	F Latch slide cover	E Mechanical override	FF Latch spring 30 N	S Strong latch spring 60 N	K Contact	H Hold-open-function	V Preload	Spring-loaded [N]	Voltage [V]	ED Duty ratio	Order number
Blue	A											< 1min.	6-35804-01-0-1
	A			E									6-35804-02-0-1
	A			E				H					6-35804-06-0-1
	A			E		S							6-38473-02-0-1
	A						K						6-35804-03-0-1
Red		R									9-24 22-28	100%	6-35806-01-0-1
		R					K						6-35806-03-0-1
		R											6-40368-01-0-1
		R					K						6-40368-03-0-1
Green	A								V				6-38605-01-0-1
	A			E					V				6-38605-02-0-1
	A						K		V				6-38605-03-0-1
Grey				E									6-35804-05-0-1
										30			6-35804-07-0-1
				E		S							6-38473-05-0-1
					S					60			6-38473-07-0-1

## GU-BKS electric strike ET 8, special version, without latch slide cover

Colour of terminal block	A Fail-secure	R Fail-safe	F Latch slide cover	E Mechanical override	FF Latch spring 30 N	S Strong latch spring 60 N	K Contact	H Hold-open-function	V Preload	Spring-loaded [N]	Voltage [V]	ED Duty ratio	Order number
Blue	A			E								< 1min.	6-35804-12-0-1
	A			E		S							6-38473-12-0-1

17 mm recess for special strikers

Blue terminal block	Red terminal block	Green terminal block	Grey terminal block
Fail-secure version A 9-24 V AC/DC, 12 V DC, 100% duty ratio	Fail-safe version R 9-24 V DC or 22-28 V DC	Fail-secure (version A) with integrated high-preload controller 6-28 V AC/DC, 100% duty ratio for preload unlocking of ~ 250 N	Interchangeable latch piece with mechanical override
			

# GU-BKS electric strike ET 8

Design variant: standard, with latch slide cover



## GU-BKS electric strike ET 8 standard, with latch slide cover

Colour of terminal block	A Fail-secure	R Fail-safe	F Latch slide cover	E Mechanical override	S Strong latch spring 60 N	K Contact	V Preload	Spring-loaded [N]	Voltage [V]	ED Duty ratio	Order number
Blue	A		F							< 1min	6-35805-01-0-1
	A		F	E							6-35805-02-0-1
	A		F	E	S						6-38474-02-0-1
	A		F			K					6-35805-03-0-1
Red		R	F						9-24 22-28	100 %	6-35807-01-0-1
		R	F			K					6-35807-03-0-1
		R	F								6-40369-01-0-1
		R	F			K					6-40369-03-0-1
Green	A		F				V				6-38606-01-0-1
	A		F	E			V				6-38606-02-0-1
	A		F			K	V				6-38606-03-0-1
Grey			F	E							6-35805-05-0-1
			F					30			6-35805-07-0-1
			F	E	S						6-38474-05-0-1
			F		S			60			6-38474-07-0-1

Blue terminal block	Red terminal block	Green terminal block	Grey terminal block
Fail-secure version A 9-24 V AC/DC, 12 V DC, 100% duty ratio	Fail-safe version R 9-24 V DC or 22-28 V DC	Fail-secure (version A) with integrated high-preload controller 6-28 V AC/DC, 100% duty ratio for preload unlocking of ~ 250 N	Interchangeable latch piece with mechanical override
			

## GU-BKS FH electric strike ET 8 standard, without latch slide cover

Colour of terminal block	A Fail-secure	R Fail-safe	F Latch slide cover	E Mechanical override	FF Latch spring 30 N	S Strong latch spring 60 N	K Contact	V High-preload controller	Voltage	Order number
Blue	A								9-24 V	B-92510-00-0-8
	A								22-28 V	B-92510-01-0-8
	A						K		9-24 V	B-92510-02-0-8
	A						K		22-28 V	B-92510-03-0-8
Green	A							V	6-28 V	B-92510-20-0-8
	A						K	V	6-28 V	B-92510-21-0-8

Blue terminal block	Green terminal block
Fail-secure version A 9-24 V AC/DC, 12 V DC, 100% duty ratio 22-28 V AC/DC, 24 V DC, 100% duty ratio 	Fail-secure (version A) with integrated high-preload controller 6-28 V AC/DC, 100% duty ratio for preload unlocking ~ 250 N 
	

## GU-BKS FH electric strike ET 8 standard, with latch slide cover

Colour of terminal block	A Fail-secure	R Fail-safe	F Latch slide cover	E Mechanical override	FF Latch spring 30 N	S Strong latch spring 60 N	K Contact	V High-preload controller	Voltage	Order number
Blue	A		F						9-24 V	B-92510-10-0-8
	A		F						22-28 V	B-92510-11-0-8
	A		F				K		9-24 V	B-92510-12-0-8
	A		F				K		22-28 V	B-92510-13-0-8
Green	A		F					V	6-28 V	B-92510-30-0-8
	A		F				K	V	6-28 V	B-92510-31-0-8

Blue terminal block	Green terminal block
Fail-secure version A 9-24 V AC/DC, 12 V DC, 100% duty ratio 22-28 V AC/DC, 24 V DC, 100% duty ratio 	Fail-secure (version A) with integrated high-preload controller 6-28 V AC/DC, 100% duty ratio for preload unlocking ~ 250 N 
	

# GU-BKS electric strike ET 8 METÖ

Design variant: METÖ



## GU-BKS electric strike ET 8 METÖ for 2-leaf doors, without latch slide cover

Colour of terminal block	A Fail-secure	R Fail-safe	F Latch slide cover	E Mechanical override	FF Latch spring 30 N	S Strong latch spring 60 N	K Contact	Voltage	Order number
Blue	A							9-24 V	B-92520-20-0-8
	A							22-28 V	B-92520-21-0-8
	A						K	9-24 V	B-92520-22-L-8
	A						K	9-24 V	B-92520-22-R-8
	A						K	22-28 V	B-92520-23-L-8
	A						K	22-28 V	B-92520-23-R-8

### Blue terminal block

Fail-secure version A  
 9-24 V AC/DC, 12 V DC, 100% duty ratio  
 22-28 V AC/DC, 24 V DC, 100% duty ratio



## GU-BKS electric strike ET 8 METÖ for 2-leaf doors, with latch slide cover

Colour of terminal block	A Fail-secure	R Fail-safe	F Latch slide cover	E Mechanical override	FF Latch spring 30 N	S Strong latch spring 60 N	K Contact	Voltage	Order number
Blue	A		F					9-24 V	B-92520-00-0-8
	A		F					22-28 V	B-92520-01-0-8
	A		F				K	9-24 V	B-92520-02-L-8
	A		F				K	9-24 V	B-92520-02-R-8
	A		F				K	22-28 V	B-92520-03-L-8
	A		F				K	22-28 V	B-92520-03-R-8

### Blue terminal block

Fail-secure version A  
 9-24 V AC/DC, 12 V DC, 100% duty ratio  
 22-28 V AC/DC, 24 V DC, 100% duty ratio



# GU-BKS electric strike ET 8 METÖ

Design variant: METÖ, fire-rated



## GU-BKS FH electric strike ET 8 METÖ for 2-leaf doors, without latch slide cover

Colour of terminal block	A Fail-secure	R Fail-safe	F Latch slide cover	E Mechanical override	FF Latch spring 30 N	S Strong latch spring 60 N	K Contact	Voltage	Order number
Blue	A							9-24 V	B-92520-30-0-8
	A							22-28 V	B-92520-31-0-8
	A						K	9-24 V	B-92520-32-L-8
	A						K	9-24 V	B-92520-32-R-8
	A						K	22-28 V	B-92520-33-L-8
	A						K	22-28 V	B-92520-33-R-8

### Blue terminal block

Fail-secure version A  
 9-24 V AC/DC, 12 V DC, 100% duty ratio  
 22-28 V AC/DC, 24 V DC, 100% duty ratio



## GU-BKS FH electric strike ET 8 METÖ for 2-leaf doors, with latch slide cover

Colour of terminal block	A Fail-secure	R Fail-safe	F Latch slide cover	E Mechanical override	FF Latch spring 30 N	S Strong latch spring 60 N	K Contact	Voltage	Order number
Blue	A		F					9-24 V	B-92520-10-0-8
	A		F					22-28 V	B-92520-11-0-8
	A		F				K	9-24 V	B-92520-12-L-8
	A		F				K	9-24 V	B-92520-12-R-8
	A		F				K	22-28 V	B-92520-13-L-8
	A		F				K	22-28 V	B-92520-13-R-8

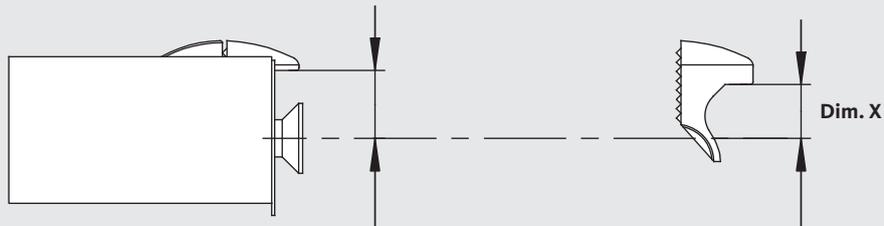
### Blue terminal block

Fail-secure version A  
 9-24 V AC/DC, 12 V DC, 100% duty ratio  
 22-28 V AC/DC, 24 V DC, 100% duty ratio



# Accessories

## Surface attachments



### Overview

Drawing	Surface attachment	Note	Order number	Dim. X min./max.
		- fitted as standard - without latch slide cover	-	7.1 to 9.1 mm
		- fitted as standard - with latch slide cover	9-47318-01-0-1 (optional)	7.1 to 9.1 mm
		- gasket pressure +1.5 mm - for version without latch slide cover	9-46049-21-0-1	5.6 to 7.6 mm
		- gasket pressure -1 mm - for version without latch slide cover	9-46049-11-0-1	8.1 to 10.1 mm
		- gasket pressure +1.5 mm - for version with latch slide cover	9-47318-21-0-1	5.6 to 7.6 mm
		- gasket pressure -1 mm - for version with latch slide cover	9-47318-11-0-1	8.1 to 10.1 mm
		- 17 mm recess - without latch slide cover	9-46338-01-0-1	7.1 to 9.1 mm

PVC profile system	Striker
	With interchangeable latch piece
Dimension L [mm]	216.5
Packing unit	PU = 5
	
<b>Actual</b>	
Actual 600	6-37675-3T-L-1 6-37675-3T-R-1
<b>Alphacan</b>	
Alphacan Class	6-37675-3R-L-1 6-37675-3R-R-1
<b>Aluplast</b>	
Aluplast Ideal 2000	6-37675-07-L-1 6-37675-07-R-1
Aluplast Ideal 4000	6-37654-2U-L-1 6-37654-2U-R-1
Aluplast Ideal 7000	6-37675-5K-L-1 6-37675-5K-R-1
Aluplast Ideal 7000	–
Aluplast Ideal 8000	6-37675-5K-L-1 6-37675-5K-R-1
Aluplast energeto 4000	6-37654-2U-L-1 6-37654-2U-R-1
Aluplast energeto 7000	6-37675-5K-L-1 6-37675-5K-R-1
Aluplast energeto 7000	–
Aluplast energeto 8000	6-37675-5K-L-1 6-37675-5K-R-1
<b>Archimede</b>	
Archimede Serie 500	6-37632-5W-L-1 6-37632-5W-R-1
Archimede Serie 500	6-37558-5T-L-1 6-37558-5T-R-1
<b>Brüggmann</b>	
Brüggmann AD	6-37558-2Y-L-1 6-37558-2Y-R-1
Brüggmann AD	6-37675-2L-L-1 6-37675-2L-R-1
Brüggmann MD	6-37675-2L-L-1 6-37675-2L-R-1
<b>Deceuninck</b>	
Deceuninck Mondial	6-37675-14-L-1 <sup>[2]</sup> 6-37675-14-R-1 <sup>[2]</sup>
Deceuninck Mondial	6-37558-2M-L-1 <sup>[2]</sup> 6-37558-2M-R-1 <sup>[2]</sup>
Deceuninck Zendow	6-37675-34-L-1 6-37675-34-R-1
Deceuninck Zendow Neo	6-37675-34-L-1 6-37675-34-R-1

<sup>[1]</sup> Deadbolt monitoring contact, order number K-19068-00-0-6

<sup>[2]</sup> On request

PVC profile system	Striker
	With interchangeable latch piece
Dimension L [mm]	216.5
Packing unit	PU = 5
	
<b>Funke</b>	
Funke Helios	6-37675-34-L-1 6-37675-34-R-1
Funke Phönix	6-37675-34-L-1 6-37675-34-R-1
<b>Gealan</b>	
Gealan S 3000 (gasket pressure +1 mm)	6-37675-4B-L-1 6-37675-4B-R-1
Gealan S 3000	6-37675-21-L-1 6-37675-21-R-1
Gealan S 7000 IQ	6-37558-4P-L-1 6-37558-4P-R-1
Gealan S 8000 IQ	6-37558-4P-L-1 6-37558-4P-R-1
Gealan S 9000 (gasket pressure +1 mm)	6-37558-6D-L-1 6-37558-6D-R-1
Gealan S 9000	6-37558-4P-L-1 6-37558-4P-R-1
<b>Horizont</b>	
Horizont PS 990	6-37610-87-L-1 6-37610-87-R-1
<b>INOUTIC</b>	
INOUTIC AD (gasket pressure +2 mm)	6-37675-3E-L-1 6-37675-3E-R-1
INOUTIC AD	6-37654-79-L-1 6-37654-79-R-1
INOUTIC Eforte	6-37654-79-L-1 6-37654-79-R-1
INOUTIC Elite / Acade	6-37654-79-L-1 6-37654-79-R-1
INOUTIC Prestige	6-37654-79-L-1 6-37654-79-R-1
<b>Panorama</b>	
Panorama 3000	6-37675-21-L-1 6-37675-21-R-1
<b>Primo</b>	
Primo 400	6-37698-52-L-1 3-37698-52-R-1
Primo 4000	6-37675-2E-L-1 6-37675-2E-R-1
<b>Profine</b>	
Profine 76	6-37558-5X-L-1 6-37558-5X-R-1
Profine 76	6-37558-5X-L-1 6-37558-5X-R-1
Profine 88MD	6-37558-5X-L-1 6-37558-5X-R-1

<sup>[1]</sup> Deadbolt monitoring contact, order number K-19068-00-0-6

<sup>[2]</sup> On request



PVC profile system	Striker
	With interchangeable latch piece
<b>Dimension L [mm]</b>	216.5
<b>Packing unit</b>	PU = 5
	
<b>Profine</b>	
Profine 88MD	6-37558-5X-L-1 6-37558-5X-R-1
Profine EuroFutur Classic	6-37654-38-L-1 <sup>[2]</sup> 6-37654-38-R-1 <sup>[2]</sup>
Profine EuroFutur Classic (accessory flush with edge of frame)	6-37930-03-L-1 6-37930-03-R-1
Profine EuroFutur Classic	6-37675-31-L-1 6-37675-31-R-1
Profine EuroFutur Elegance	6-37654-38-L-1 <sup>[2]</sup> 6-37654-38-R-1 <sup>[2]</sup>
Profine EuroFutur Elegance	6-37675-31-L-1 6-37675-31-R-1
Profine Gold	6-37675-34-L-1 6-37675-34-R-1
Profine K-vision	6-37675-31-L-1 6-37675-31-R-1
Profine KBE 58	6-37654-28-L-1 6-37654-28-R-1
Profine KBE 70	6-37675-34-L-1 6-37675-34-R-1
Profine KBE 88+	6-37675-34-L-1 6-37675-34-R-1
Profine Kömmerling 88+	6-37675-31-L-1 6-37675-31-R-1
Profine Phalanx AD	6-37675-34-L-1 6-37675-34-R-1
Profine Phalanx AD, 2-leaf doors, with mullion	6-37675-34-L-1 6-37675-34-R-1
Profine Trocal 88+	6-38632-00-L-1 6-38632-00-R-1
Profine Trocal AluFusion MD	6-37675-83-L-1 6-37675-83-R-1
Profine Trocal Innonova 2000	6-38632-00-L-1 6-38632-00-R-1
Profine Trocal Innonova 2000	6-38632-00-L-1 6-38632-00-R-1
Profine Trocal Innonova 70 A5	6-37675-83-L-1 6-37675-83-R-1
Profine Trocal Innonova 70 M5	6-37675-83-L-1 6-37675-83-R-1
Profine Trocal Innonova 70 M5	6-37675-83-L-1 6-37675-83-R-1
<b>Pural</b>	
Pural	6-37654-55-L-1 6-37654-55-R-1
<sup>[1]</sup> Deadbolt monitoring contact, order number K-19068-00-0-6 <sup>[2]</sup> On request	

PVC profile system	Striker
	With interchangeable latch piece
<b>Dimension L [mm]</b>	216.5
<b>Packing unit</b>	PU = 5
	
<b>Ramplast</b>	
Ramplast 2000	6-37610-03-L-1 <sup>[2]</sup> 6-37610-03-R-1 <sup>[2]</sup>
Ramplast Ecotherm	6-37654-4A-L-1 6-37654-4A-R-1
<b>Rehau</b>	
Rehau Brillant Design	6-37558-62-L-1 6-37558-62-R-1
Rehau Brillant Design (2 screw axes)	6-38988-01-L-1 6-38988-01-R-1
Rehau Character Design 70	6-37558-3A-L-1 6-37558-3A-R-1
Rehau Character Design 70	6-37558-3A-L-1 <sup>[2]</sup> 6-37558-3A-R-1 <sup>[2]</sup>
Rehau Euro Design 86	6-37558-5A-L-1 6-37558-5A-R-1
Rehau Geneo without T-profile (gasket pressure +2 mm)	6-37558-6C-L-1 6-37558-6C-R-1
Rehau Geneo without T-profile	6-37558-5D-L-1 6-37558-5D-R-1
Rehau Geneo without T-profile	6-37698-6B-L-1 6-37698-6B-R-1
Rehau Geneo without T-profile (gasket pressure +1 mm)	6-37558-4W-L-1 6-37558-4W-R-1
Rehau Geneo with T-profile (gasket pressure +1 mm)	6-37558-4X-L-1 6-37558-4X-R-1
Rehau Geneo with T-profile	6-37558-5N-L-1 6-37558-5N-R-1
Rehau Optimum	6-37558-62-L-1 6-37558-62-R-1
Rehau S 730	6-37558-62-L-1 6-37558-62-R-1
Rehau S 730 (gasket pressure +1 mm)	6-37558-5P-L-1 6-37558-5P-R-1
Rehau Synego AD / MD	6-37558-5A-L-1 6-37558-5A-R-1
Rehau Synego AD / MD	6-37558-5A-L-1 6-37558-5A-R-1
Rehau Thermo Design	6-37558-62-L-1 6-37558-62-R-1
<b>Roplasto</b>	
Roplasto 7001	6-37675-46-L-1 6-37675-46-R-1
<b>Salamander</b>	
Salamander bluEvolution 82	6-37558-5J-L-1 6-37558-5J-R-1
Salamander bluEvolution 82	6-37558-5J-L-1 6-37558-5J-R-1
<sup>[1]</sup> Deadbolt monitoring contact, order number K-19068-00-0-6 <sup>[2]</sup> On request	



PVC profile system	Striker
	With interchangeable latch piece
<b>Dimension L [mm]</b>	216.5
<b>Packing unit</b>	PU = 5
	
<b>Salamander</b>	
Salamander bluEvolution 92	6-37558-5A-L-1 6-37558-5A-R-1
Salamander bluEvolution 92 (screw axis 22 mm)	6-37558-5Y-L-1 6-37558-5Y-R-1
Salamander Design 3D	6-37558-2R-L-1 6-37558-2R-R-1
Salamander Design iD	6-37558-2R-L-1 6-37558-2R-R-1
Salamander Streamline	6-37558-2R-L-1 6-37558-2R-R-1
Salamander Streamline	6-37558-2R-L-1 6-37558-2R-R-1
<b>Schüco</b>	
Schüco Corona AS 60	6-37675-1F-L-1 6-37675-1F-R-1
Schüco Corona AS 60 (Anpressdruck +1 mm)	6-37675-3M-L-1 6-37675-3M-R-1
Schüco Corona CT 70	6-37675-2T-L-1 6-37675-2T-R-1
Schüco Corona CT 70	6-38986-01-L-1 6-38986-01-R-1
Schüco Corona SI 82	6-37675-2T-L-1 6-37675-2T-R-1
Schüco Corona SI 82	6-38986-01-L-1 6-38986-01-R-1
<b>Spectus</b>	
Spectus TK 60	6-37675-2T-L-1 6-37675-2T-R-1
Spectus TK 71	6-37675-49-L-1 6-37675-49-R-1
<b>Stöckel</b>	
Stöckel EcoStep	6-37654-1U-L-1 6-37654-1U-R-1
<b>Veka</b>	
Veka Alphasline 90 MD	6-37675-2T-L-1 6-37675-2T-R-1
Veka Softline 116 SL (house entrance door)	6-37930-01-L-1 6-37930-01-R-1
Veka Softline 116 SL (secondary entrance door)	6-37675-5M-L-1 6-37675-5M-R-1
Veka Softline 70 AD (main entrance)	6-37930-01-L-1 6-37930-01-R-1
Veka Softline 70 AD (secondary entrance door)	6-37675-2T-L-1 6-37675-2T-R-1
<sup>[1]</sup> Deadbolt monitoring contact, order number K-19068-00-0-6	
<sup>[2]</sup> On request	

PVC profile system	Striker
	With interchangeable latch piece
<b>Dimension L [mm]</b>	216.5
<b>Packing unit</b>	PU = 5
	
<b>Veka</b>	
Veka Softline 82 AD	6-37930-01-L-1 6-37930-01-R-1
Veka Softline 82 MD	6-37675-5M-L-1 6-37675-5M-R-1
Veka Softline 82, 2-leaf doors	6-37930-09-L-1 6-37930-09-R-1
Veka Softline AD 13	6-37675-2T-L-1 6-37675-2T-R-1
Veka Softline 58 AD	6-37610-87-L-1 6-37610-87-R-1
Veka Softline 58 MD	6-37610-87-L-1 6-37610-87-R-1
Veka Topline AD (gasket pressure +2.5 mm)	6-37675-4C-L-1 6-37675-4C-R-1
Veka Topline AD	6-37654-4H-L-1 6-37654-4H-R-1
Veka Topline AD (gasket pressure +1 mm)	6-37675-3Y-L-1 6-37675-3Y-R-1
Veka Topline AD	6-37675-2T-L-1 6-37675-2T-R-1
Veka Topline AD	6-37654-88-L-1 6-37654-88-R-1
Veka Topline AD, 2-leaf doors	6-38927-01-L-1 6-38927-01-R-1
Veka Topline MD	6-37675-2T-L-1 6-37675-2T-R-1
<b>Wymar</b>	
Wymar 2000	6-37675-91-L-1 6-37675-91-R-1
Wymar 2500	6-37675-3X-L-1 6-37675-3X-R-1
Wymar 3000	6-37654-4L-L-1 6-37654-4L-R-1
Wymar 3000 (gasket pressure +1 mm)	6-37675-3Z-L-1 6-37675-3Z-R-1
2-leaf doors, 16 mm hardware groove profile, 13 mm axis	6-37632-1A-L-1 6-37632-1A-R-1
2-leaf doors, 16 mm hardware groove profile, 9 mm axis	6-37610-1J-L-1 6-37610-1J-R-1
<sup>[1]</sup> Deadbolt monitoring contact, order number K-19068-00-0-6	
<sup>[2]</sup> On request	

# Classification codes and abbreviations



## A – Z of abbreviations

All relevant abbreviations are listed with explanations here:

- A** Fail-secure
- AC** Alternating current
- DC** Direct voltage
- DL** DIN left
- DR** DIN right
- E** Mechanical unlocking: electric strike with operation pin in the latch area for permanent mechanical release of the keeper
- ED** Duty ratio: these electric strikes are resistant to continuous current and operated with direct voltage, normally via time switch or contactor
- F** Latch slide cover: cutout not required for the front profile edge
- H** Hold-open-function: these electric strikes will stay unlocked until the actual opening of the door
- K** Monitoring contact for requesting lock status as potential-free changeover contact
- METÖ** Mechanical electric strike for 2-leaf panic doors
- R** Fail-safe
- S** Stronger latch spring 60 N
- V** High-preload controller: improves the DC pre-load to min. 250 N

## Classification code according to EN 14846:2008-11

EN 14846 is applicable to electromechanical locks and strikers. An electric strike is an example of an electromechanical striker.

Various terms are defined in chapter 3 of EN 14846. The following can be found under 3.2: electromechanical striker (or electric strike) component which is attached to the frame and effects a locking and/or unlocking process through electrical actuation.

According to the above standard, electromechanically-actuated electric strikes must be grouped according to a nine-digit classification system.

This nine-digit classification code is subdivided into:

**Digit 1: Category of use**

**Digit 2: Durability and load on the latch**

**Digit 3: Door mass and closing force**

**Digit 4: Suitability for use on fire/smoke protection doors**

**Digit 5: Safety**

**Digit 6: Corrosion, temperature and humidity resistance**

**Digit 7: High protective effect with drilling resistance**

**Digit 8: Security – electrical function**

**Digit 9: Security – electrical manipulation**

Electric strikes in the ET 8 series are approved in accordance with EN 14846:2008.11.

- **Armature contact:**  
an armature contact is a built-in switch or sensor that signals whether the electric strike is locked or unlocked.
- **Fail-secure:**  
means that the door can only be opened when the contact is closed. Consequently, this current feed can also be used for fire protection doors. A buzzer sound is audible during AC operation, and during DC operation there is no sound.
- **Surface attachments:**  
surface attachments are keepers that can be adjusted in relation to the latch. This allows the door gasket pressure to be optimally adjusted.
- **Interchangeable latch pieces (AT):**  
strikers are prepared for electric strike. If an electric strike is not required, a dummy (interchangeable latch piece) is used. If an electric strike is to be fitted at a later date, the interchangeable latch piece is simply replaced by the electric strike.
- **Diode:**  
electric strikes are equipped with a coil which can under certain conditions produce enough energy to damage other connected devices, e.g. access control system, when switching off. Diodes are used to prevent this.
- **100% duty ratio:**  
100% duty ratio means that current can be supplied continuously to the electric strike up to a certain voltage depending on the electric strike variant (12 V or 24 V) without overheating.
- **Latch spring:**  
the latch spring acts as a blocking device for the door when the daytime release function is active. The stronger the latch spring, the greater the pressure that must be applied to the door. Depending on the door system and execution of the door gaskets, a stronger latch spring may be advantageous during operation with daytime release function (operation pin) to ensure the door closes securely. A weak latch spring means that less force is required to open the door and less noise is produced. It is ideally used on doors equipped with door closers or swing-door drive.
- **Latch slide cover:**  
a latch slide cover refers to a slanting sliding surface along which a latch glides and is pushed back up to the surface of the striker. Latch slide covers dispense with the need for a cutout in the profile edge on the frame side.
- **Direct voltage (DC):**  
the switch-on currents present when operating with direct voltage (DC) are higher than when operating with alternating voltage (AC). In addition the preload unlocking is weaker. With direct voltage, a buzzer sound is not audible when the door is released.
- **Mechanical unlocking:**  
electric strikes can be equipped with a small operation pin for mechanical unlocking that permanently releases the keeper.
- **METÖ:**  
refers to mechanical and electric strikes for 2-leaf full panic doors with shoot-bolt locks.
- **Monitoring contact (RR):**  
the monitoring contact is a switch installed in the electric strike. The checkback signal is transmitted via the latch which triggers the monitoring contact and signals whether the door is open or closed. A monitoring contact is used for the access control and for monitoring the door opening time.
- **Fail-safe:**  
means that the electric strike is only locked while current is flowing. If the current is switched off or interrupted by a power failure, the keeper can be moved and the door opened, which means that quiescent current (fail-safe) is not approved for fire protection doors.
- **Voltage range:**  
the electric strike can be operated within a voltage range. Depending on the electric strike variant, e.g. from 9 V to 24 V AC / DC.
- **Adjustment range:**  
to increase or reduce the door gasket pressure. Electric strikes are equipped with a keeper which can be adjusted and fixed so the latch position can be adjusted.
- **Alternating voltage (AC):**  
the switch-on currents that are present when operating with alternating voltage (AC) are lower than with direct voltage (DC). With alternating voltage, a buzzer sound can be heard when the door is released.



WINDOW TECHNOLOGY  
DOOR TECHNOLOGY  
AUTOMATIC ENTRANCE SYSTEMS  
BUILDING MANAGEMENT SYSTEMS

Gretsch-Unitas GmbH  
Baubeschläge  
Johann-Maus-Str. 3  
71254 Ditzingen  
Germany  
Tel. +49 7156 301-0  
Fax +49 7156 301-77980

BKS GmbH  
Heidestr. 71  
42549 Velbert  
Germany  
Tel. +49 2051 201-0  
Fax +49 2051 201-9733

GU Automatic GmbH  
Karl-Schiller-Str. 12  
33397 Rietberg  
Germany  
Tel. +49 5244 9075-100  
Fax +49 5244 9075-599

[www.g-u.com](http://www.g-u.com)

Securing technology for you

