



WINDOW TECHNOLOGY
DOOR TECHNOLOGY
AUTOMATIC ENTRANCE SYSTEMS
BUILDING MANAGEMENT SYSTEMS



DOOR TECHNOLOGY – PLANNING GUIDE AND ORDER CATALOGUE

System solutions for timber and steel doors

Edition 01/2020

Securing technology for you



The Gretsch-Unitas Group

Opening, moving, closing, securing – true to its motto "Securing technology for you", Gretsch-Unitas group provides groundbreaking solutions for window and door technology, automatic entrance systems and building management systems. With its system brands, the group delivers solutions for burglar inhibition at doors and windows, barrier-free construction, doors in escape and rescue routes through to bespoke facade solutions for projects.



Gretsch-Unitas GmbH Baubeschläge



GU in Ditzingen is the headquarters of the group, development, administration and the production of modern architectural hardware for window and door technology. It is equipped with different flexible assembly departments, a high-tech punching, galvanising and anodising facility.



BKS GmbH



BKS manufactures mechanical and electronic locking cylinders, locks, locking systems and panic locks for escape and rescue routes. Harmonised mechanical and electronic system solutions are available for access control.



FERCO International S.A.S.



Ferco is the largest production site for window hardware in France. As a subsidiary of the Gretsch-Unitas group, Ferco also offers customer support and distribution in France for all products of the group.





GU Automatic



GU Automatic offers innovative, secure and reliable solutions for automatic entrance systems and automatic door systems, revolving doors, all-glass sliding walls, security curved sliding doors and controlled physical access.

ela-soft



With the successful GEMOS advanced physical security information management system, ela-soft is one of the market and technology leaders in the building technology branch.



Modern door solutions

I – General information

Table of contents	7
-------------------	---

Lock and door hardware combinations

Overview of series	15 – 26
Single and double-leaf doors with standard function	28 – 63
Single and double-leaf doors with panic function	64 – 167
Special applications	168 – 177

Locks and multi-points locks for PC and Swiss round profile-cylinder

Overview – product features	180 – 181
Manual-locking locking systems	182 – 293
Self-locking locking systems	294 – 375
Accessories	376 – 419

Door hardware for escape door to EN 1125

Electrically-locking Touch Bar EVT	422 – 423
Touch bars	424 – 427
Push bars	428 – 433
Face-fixed panic exit devices	434 – 445
Accessories	446 – 449

Escape door security

Escape door control units	452 – 458
Locking elements	460 – 461
Accessories for escape door control units	462 – 463
Visualisation and system management	464 – 469

Additional information

Technical information	471
Useful information	505



Systematic service

Service, planning, seminars

8

Ordering made easy

Your guide to using the catalogue

10

Materials and finishes

12

Explanation of pictographs

13

Systematic service

Service, planning, seminars



Systematic Service



Building project consulting

We make your everyday work easier: building project consulting assists architects and planners; for example by preparing project-specific drawings and door schedules, cable diagrams and tender specifications or conceptual designs with functional descriptions. Our well thought-out and coordinated system solutions guarantee optimum functionality and also compliance with the required standards and directives.



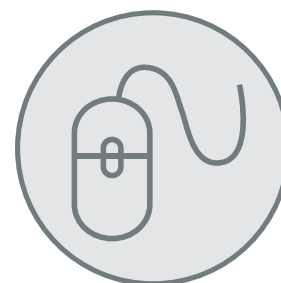
Door engineering

Step by step to the right door solution: the GU group door engineering concept is the last word in efficiency when it comes to configuration of individual doors. Solutions are developed based on experimental models that cleverly overlap the various trades. The documentation ensures maximum planning reliability based on clearly laid-out door configuration lists.



Tender-Text-Manager

Comprehensive, legally sound and technically up-to-date: with the Tender-Text-Manager, we are offering architects and planners a convenient and effective online tool that allows them to effortlessly compile technical specifications and complete tender specifications – for all GU group products.



Customer Information System

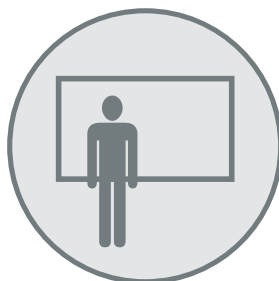
Available at the click of a mouse: the Customer Information System (CIS) is an ordering and information system for all GU group products. You can use the online platform 24 hours a day 7 days a week to access important information: from preparing a quotation through to performing an availability check in real time, from placing the order to order tracking.

A product on its own is not a solution. The correct level of security, function and cost-effectiveness can only be achieved with the right planning and by ensuring correct application. The GU group therefore also applies the systematic thought processes demonstrated in its product range to its service offering. Close interlinking of one-to-one expert advice, free online support and a comprehensive programme of technical seminars aims to make the day-to-day work of customers easier.



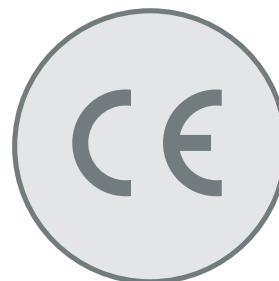
confiGUrator

The right products in the right quantity: the practical confiGUrator is an online platform where part lists and hardware sets can be precisely determined. Based on the specifications for the particular project, a technically correct parts list is generated within seconds. The data is determined based on current conditions and fundamental technical principles.



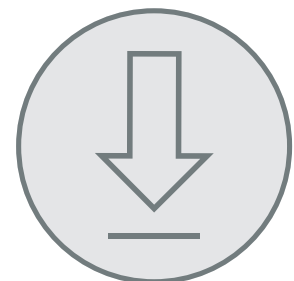
Seminars and training courses

Practical knowledge based on first-hand experience: with around 160 events annually, the GU group offers an extremely wide range of seminars and training courses. The programme includes product innovations and their applications, current architectural trends and standards and directives. Several seminars and training courses are certified and recognised as advanced training courses by the chamber of architects and civil engineers in Germany.



CE-certified products

Security you can rely on: the locks of the series 23 and 21 and the SECURY 21 multi-point locks are CE-certified. This is how the GU group reassures its customers that these products meet the requirements of the European Union. In addition, by using CE marking, we take responsibility for the fact that the products fulfil all the characteristics defined in the Declaration of Performance.



Free download

Planning made simple: a wide range of information on the products and applications is available to download from our company website to the local hard drive quickly, conveniently and free of charge: from product documents and installation drawings to Declarations of Performance through to software solutions.

Ordering made easy

Your guide to using the catalogue



Door situations

The graphic examples illustrate the different single and double-leaf door situations. Different door versions (single or double-leaf doors) and door hardware sets are shown. The individual door situations are coded (e.g. PZO 110) to simplify the search in the lock and door hardware combinations section of the catalogue. The description of the marking provides initial information regarding the lock designs.



Overview of series
Double-leaf doors with panic function to EN 179

PZA 110	Panic function, double-leaf Automatic locking of passive leaf Electrical safeguarding by means of escape door locking, centralised control and visualisation	116
PZO 110	Panic function, double-leaf Top-locking feature of passive leaf SECUR lock Electrical safeguarding by means of escape door locking, centralised control and visualisation	120
PZAS 110	Panic function, double-leaf Automatic locking of passive leaf SECUR lock Electrical safeguarding by means of escape door locking, centralised control and visualisation	124
PZA 170	Panic function, double-leaf Automatic locking of passive leaf Electrical safeguarding by means of escape door locking, centralised control and visualisation	128

Lock and door hardware combinations

Each combination is documented on four pages in detail. In addition to the schematic illustration you will find a detailed functional description and application examples.



Combination PZAS 115
Panic function, 2-leaf, automatic locking of passive leaf, SECUR

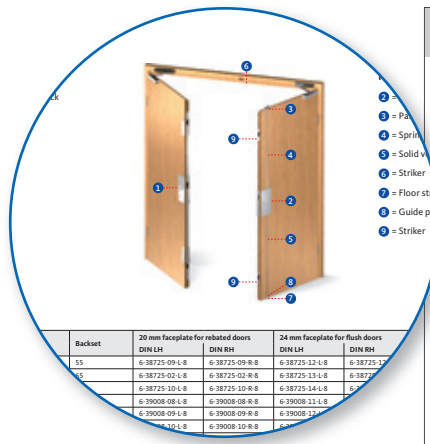
Functional description
Active leaf
Inside
The active leaf can be opened by the lever handle as any time panic function.
With a SECUR lock, the door is automatically locked without using a key.
Outside
The active leaf is opened using the key and lever.
With a SECUR lock, the door is automatically locked without using a key.
Passive leaf
Inside
Active and passive leaf can be opened from inside.
The active leaf is opened automatically by the panic function. The central locking is released through the lock on the passive leaf. In the case of a fire, the door can be closed in the direction of the fire and the door is locked in the direction of the fire.
Possible applications
Escape door to EN 1212 in public buildings
Escape door to EN 1212 in public buildings
As the door handle is on the outside, the door can be used as a secondary escape door with a secondary fire rating in compliance with EN 12121.

Functional description
Active leaf
Inside
The active leaf can be opened by the lever handle (panic function).
With a SECUR lock, the door is automatically locked to use the key.
Outside
The active leaf is opened using the key and lever.
With a SECUR lock, the door is automatically locked, the door is automatically locked to use the key.

Selecting products: locks

This sample page shows the required locks including accessories. The necessary accessories are also included. The numbering of the components in the graphic helps to select the required products step-by-step.

The part numbers shown represent only a selection of the available products. Additional variants can be found in the product catalogue. You will find the corresponding catalogue pages in the tables.



Combination PZAS 115
Panic function, 2-leaf, automatic locking of passive leaf, SECUR

Active leaf

No.	Product/panic function	Basket
1	SECUR 2111/B	55
	SECUR 2113/C	65
	SECUR 2113/C	80
	SECUR 2171/panic function C electrically	65

Basket	20 mm faceplate for rebated doors			24 mm faceplate for flush doors		
	DIN LH	DIN RH	DIN RH	DIN LH	DIN RH	DIN RH
55	6-38725-09-L-8	6-38725-09-R-8	6-38725-12-L-8	6-38725-12-L-8	6-38725-12-L-8	6-38725-12-L-8
65	6-38725-02-L-8	6-38725-02-R-8	6-38725-13-L-8	6-38725-13-L-8	6-38725-13-L-8	6-38725-13-L-8
80	6-38725-10-L-8	6-38725-10-R-8	6-38725-14-L-8	6-38725-14-L-8	6-38725-14-L-8	6-38725-14-L-8
65	6-39008-08-L-8	6-39008-08-R-8	6-39008-11-L-8	6-39008-11-L-8	6-39008-11-L-8	6-39008-11-L-8
65	6-39008-09-L-8	6-39008-09-R-8	6-39008-12-L-8	6-39008-12-L-8	6-39008-12-L-8	6-39008-12-L-8
65	6-39008-10-L-8	6-39008-10-R-8	6-39008-13-L-8	6-39008-13-L-8	6-39008-13-L-8	6-39008-13-L-8

Ordering made easy

Materials and finishes



Standard finishes

The finishes and materials are for all window and door handles. We use high-quality aluminium alloys for the hardware range. Our stainless steel hardware is rust-free and distinguished by its outstanding performance characteristics. Thanks to product-specific coating processes, we achieve optimum resistant finishes with particularly long-lasting durability, also in various RAL colours.

Finish 1: silver/EV1 look

With its cool, slightly reflective finish, the silver/EV1 look perfectly complements modern interiors. This robust finish is impressive owing to its high impact- and scratch-resistance.



Finish 8: satin stainless steel

The satin stainless steel finish is particularly durable, making it an ideal, environmentally friendly alternative to other finish coatings.



Finish 3: PVD brass

Our high-quality hardware in brass look is manufactured from stainless steel with a titanium (PVD) coating. Outstanding characteristics such as corrosion resistance, wear resistance and low maintenance set this finish apart from other finishes.



Finish 7: traffic white (RAL 9016)



Finish: 9: more finishes available on request

Our door hardware solutions are also available in various special colours on request. Individual design solutions and colour concepts can thus be realised throughout the entire building.

*Order example I for selection of finish

Lever set with rosettes

Square size 8 mm = B-70000-□□-0-□

Cylinder hole-type – backplate design PC = 0

Lever handle model RONDO H1.0 = 0

Finish 8 = satin stainless steel

More finishes available on request.

Cylinder hole-type/Hole distance

Lever handle model

Finish

B-70000-□□-0-□ = order number B-70000-00-0-8

The following pictographs are used in this catalogue:



These products are approved as panic exit devices according to EN 1125.



These products are approved as emergency exit devices according to EN 179.



These products are suitable for use in fire protection doors.



These products have been tested in accordance with the directives for electronic locking systems for doors in rescue routes.



These products can be integrated into door management systems such as BKS-NET.



These products are CE-certified.



These products have been tested in accordance with EN 1906.



These products are suitable for barrier-free construction according to DIN 18040.



These products are approved and evaluated by the German Association of Non-Life Insurers (VdS) according to individual directives for the prevention of loss.



These products are tested and certified in a wide range of security classes to meet individual burglar resistance demands.



These products have been tested in accordance with EN 14846.

DIN left or DIN right?

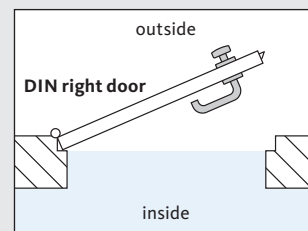
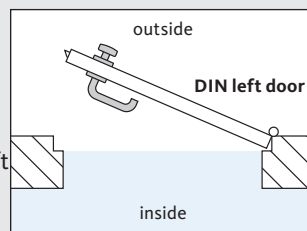
The order numbers in the catalogue differ depending on whether the door opens inwards or outwards and to the right or the left.

Door opening outwards

Entrance set, right

Inside: lever handle pointing to the right

Outside: knob pointing to the left



Entrance set, left

Inside: lever handle pointing to the left

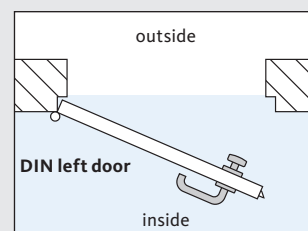
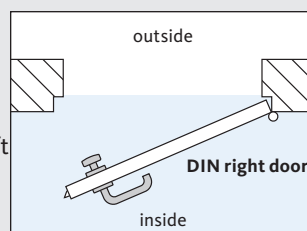
Outside: knob pointing to the right

Door opening inwards

Entrance set, right

Inside: lever handle pointing to the right

Outside: knob pointing to the left



Entrance set, left

Inside: lever handle pointing to the left

Outside: knob pointing to the right

Lock and door hardware combinations



Overview of series

Single-leaf doors with standard function



Inside



Outside

NE 100

Standard function, single-leaf

28



Inside



Outside

NEO 400

Standard function, single-leaf
with top-locking feature

32



Inside



Outside

NE 120

Standard function, single-leaf

36



Inside



Outside

NEO 420

Standard function, single-leaf
with top-locking feature

40

Overview of series

Double-leaf doors with standard function



Inside



Outside

NZA 150

Standard function, double-leaf
Passive leaf with automatic locking

44



Inside



Outside

NZO 400

Standard function, double-leaf
Active leaf with top-locking feature

48



Inside



Outside

NZA 190

Standard function, double-leaf
Passive leaf with automatic locking

52



Inside



Outside

NZA 110

Standard function, double-leaf
Passive leaf with automatic locking

56

Overview of series

Double-leaf doors with standard function



NZA 170

Standard function, double-leaf
Passive leaf with automatic locking

60

Overview of series

Single-leaf doors with panic function to EN 179



Inside



Outside

PE 100

Panic function, single-leaf
Electrical safeguarding by means of escape door locking,
centralised control and visualisation

64



Inside



Outside

PEO 400

Panic function, single-leaf
Top-locking feature
Electrical safeguarding by means of escape door locking,
centralised control and visualisation

68



Inside



Outside

PES 100

Panic function, single-leaf
SECURY multi-point lock
Electrical safeguarding by means of escape door locking,
centralised control and visualisation

72



Inside



Outside

PE 120

Panic function, single-leaf
Electrical safeguarding by means of escape door locking,
centralised control and visualisation

76

Overview of series

Single-leaf doors with panic function to EN 179



Inside



Outside

PE 210

Panic function, single-leaf
Electrical safeguarding by means of escape door locking,
centralised control and visualisation

80



Inside



Outside

PEO 420

Panic function, single-leaf
Top-locking feature
Electrical safeguarding by means of escape door locking,
centralised control and visualisation

84



Inside



Outside

PES 120

Panic function, single-leaf
SECURITY multi-point lock
Electrical safeguarding by means of escape door locking,
centralised control and visualisation

88

Overview of series

Single-leaf doors with panic function to EN 1125



Inside



Outside

PE 105

Panic function, single-leaf
Electrical safeguarding by means of escape door locking,
centralised control and visualisation

92



Inside



Outside

PEO 405

Panic function, single-leaf
Top-locking feature
Electrical safeguarding by means of escape door locking,
centralised control and visualisation

96



Inside



Outside

PES 105

Panic function, single-leaf
SECURY multi-point lock
Electrical safeguarding by means of escape door locking,
centralised control and visualisation

100



Inside



Outside

PE 125

Panic function, single-leaf
Electrical safeguarding by means of escape door locking,
centralised control and visualisation

104

Overview of series

Single-leaf doors with panic function to EN 1125



Inside



Outside

PEO 425

Panic function, single-leaf

Top-locking feature

Electrical safeguarding by means of escape door locking, centralised control and visualisation

108



Inside



Outside

PES 125

Panic function, single-leaf

SECURY multi-point lock

Electrical safeguarding by means of escape door locking, centralised control and visualisation

112

Overview of series

Double-leaf doors with panic function to EN 179



Inside



Outside

PZA 110

Panic function, double-leaf
Automatic locking of passive leaf
Electrical safeguarding by means of escape door locking,
centralised control and visualisation

116



Inside



Outside

PZO 110

Panic function, double-leaf
Top-locking feature
Electrical safeguarding by means of escape door locking,
centralised control and visualisation

120



Inside



Outside

PZAS 110

Panic function, double-leaf
Automatic locking of passive leaf
SECURY multi-point lock
Electrical safeguarding by means of escape door locking,
centralised control and visualisation

124



Inside



Outside

PZA 170

Panic function, double-leaf
Automatic locking of passive leaf
Electrical safeguarding by means of escape door locking,
centralised control and visualisation

128

Overview of series

Double-leaf doors with panic function to EN 179



Inside

Outside

PZO 170

Panic function, double-leaf

Top-locking feature

Electrical safeguarding by means of escape door locking, centralised control and visualisation

132



Inside

Outside

PZA 210

Panic function, double-leaf

Automatic locking of passive leaf

Electrical safeguarding by means of escape door locking, centralised control and visualisation

136



Inside

Outside

PZAS 170

Panic function, double-leaf

Automatic locking of passive leaf

SECURY multi-point lock

Electrical safeguarding by means of escape door locking, centralised control and visualisation

140

Overview of series

Double-leaf doors with panic function to EN 1125



Inside



Outside

PZA 115

Panic function, double-leaf
Automatic locking of passive leaf
Electrical safeguarding by means of escape door locking,
centralised control and visualisation

144



Inside



Outside

PZO 115

Panic function, double-leaf
Top-locking feature
Electrical safeguarding by means of escape door locking,
centralised control and visualisation

148



Inside



Outside

PZAS 115

Panic function, double-leaf
Automatic locking of passive leaf
SECURY multi-point lock
Electrical safeguarding by means of escape door locking,
centralised control and visualisation

152



Inside



Outside

PZA 175

Panic function, double-leaf
Automatic locking of passive leaf
Electrical safeguarding by means of escape door locking,
centralised control and visualisation

156

Overview of series

Double-leaf doors with panic function to EN 1125



Inside



Outside

PZO 175

Panic function, double-leaf
Top-locking feature
Electrical safeguarding by means of escape door locking,
centralised control and visualisation

160



Inside



Outside

PZAS 175

Panic function, double-leaf
Automatic locking of passive leaf
SECURY multi-point lock
Electrical safeguarding by means of escape door locking,
centralised control and visualisation

164

Overview of series

Special applications



Special applications

Panic function on the higher-mounted interior lever handle on the passive leaf

Escape door locking

Kindergarten function

Access control

Automatic door function

Escape door locking – for double-leaf doors

Kindergarten function – for double-leaf doors

Access control – double-leaf doors

Automatic door function – for double-leaf doors

168



Combination NE 100

Standard function, single-leaf



Inside



Outside

Functional description

Inside

The door leaf is opened by key and lever handle; the door is locked with the key.

Outside

The door leaf is opened by key and lever handle; the door is locked with the key.

Possible applications

- Suitable for fire and smoke protection doors
- As the lever handle is on the outside, the door can be used as a connecting door from both sides
- Optional combination with electric access control and/or escape door security components (see the following pages)

Recommendation

- Storage rooms
- Basement rooms
- Secondary entrance doors
- Cleaning equipment rooms

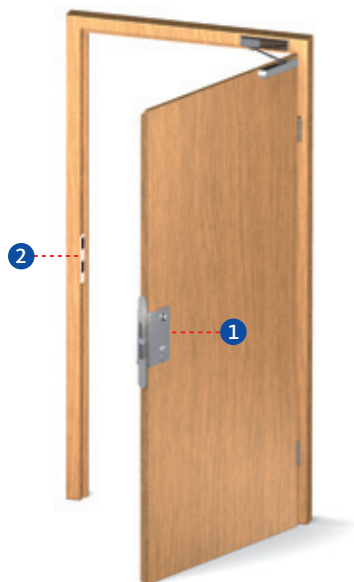
Combination NE 100

Standard function, single-leaf



Active leaf:

- ① = Fire rated door lock
- ② = Striker



Active leaf							
No.	Product	Backset	20 mm faceplate for rebated doors		24 mm faceplate for flush doors		Additional PC/CH-RC versions see page
			DIN LH	DIN RH	DIN LH	DIN RH	
1	1206 grade 5	55	B-12060-50-L-8	B-12060-50-R-8	B-12060-54-L-8	B-12060-54-R-8	212
		65	B-12060-51-L-8	B-12060-51-R-8	B-12060-55-L-8	B-12060-55-R-8	212
		80	B-12060-52-L-8	B-12060-52-R-8	B-12060-56-L-8	B-12060-56-R-8	212

Frame					
Striker					
No.	Product			See page	
2	Angled striker	Non-handed		B 9000 0248	390
	Flat striker	Non-handed		B-90000-05-0-8	392
	Lipped striker	DIN LH		B-90000-61-L-8	394
		DIN RH		B-90000-61-R-8	

Combination NE 100

Standard function, single-leaf



Inside



Outside

Active leaf: lever set with rosettes

Order number*

B-72000-□□-0-□

□	Cylinder hole-type	□	Lever handle model	□	Finish
0	PC	0	RONDO H1.0	1	Silver/EV1 look
2	CH-RC	4	BELCANTO-PANIK H3.0	3	PVD brass
		6	OFFICE H4.0	7	Traffic white (RAL 9016)
		7	LEGATO H5.0	8	Satin stainless steel
		8	TREMOLO H6.0		
		9	DIRIGENT H7.0		

Active leaf: lever set with short backplates

Order number*

B-72010-□□-0-□

Active leaf: lever set with long backplates

Order number*

B-72020-□□-0-□

□	Cylinder hole-type – backplate design	□	Lever handle model	□	Finish
0	PC 72 mm – round	0	RONDO H1.0	1	Silver/EV1 look
1	PC 72 mm – square	4	BELCANTO-PANIK H3.0	3	PVD brass
2	CH-RC 74 mm – round	6	OFFICE H4.0	7	Traffic white (RAL 9016)
3	CH-RC 74 mm – square	7	LEGATO H5.0	8	Satin stainless steel
		8	TREMOLO H6.0		
		9	DIRIGENT H7.0		

Accessories: spindles and screws see from page 446.

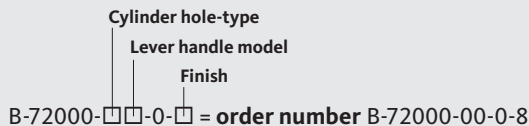
*Ordering example

Active leaf: lever set with rosettes = B-72000-□□-0-□

Cylinder hole-type – PC = 0 [refer to table]

Lever handle model RONDO H1.0 = 0 [refer to table]

Finish 8 = satin stainless steel [refer to table]



Combination NE 100

Standard function, single-leaf



Monitoring contacts

Product	Cylinder cam monitoring	Latch monitoring	Deadbolt monitoring	Follower monitoring	Exterior lever handle electrically coupled	Combinable with electric strike
1206	-	■	■	■	-	■

Door monitoring

No.	Product	Description	See page
1	B 5490 0302	Connecting cable	419
2	6-xxxxx-xx-x-x	Cable link	416
3	B 5469 0010	Door contact	463

Door closers

For detailed order information please refer to our door closer order catalogue.

Combination NEO 400

Standard function, single-leaf, top-locking feature



Inside



Outside

Functional description

Inside

The door leaf is opened by key and lever handle; the spring-operated top latch is retracted by the rod; the door is locked with the key.

Outside

The door leaf is opened by key and lever handle; the door is locked with the key.

Possible applications

- Suitable for fire and smoke protection doors
- As the lever handle is on the outside, the door can be used as a connecting door from both sides
- Suitable for very high entrance doors with a tendency to warp (only by agreement with the door fabricator and in compliance with approvals)
- Enhanced burglar protection and gasket pressure thanks to the additional top-locking feature
- Optional combination with electric access control and/or escape door security components (see the following pages)

Recommendation

- Storage rooms
- Basement rooms
- Secondary entrance doors
- Cleaning equipment rooms

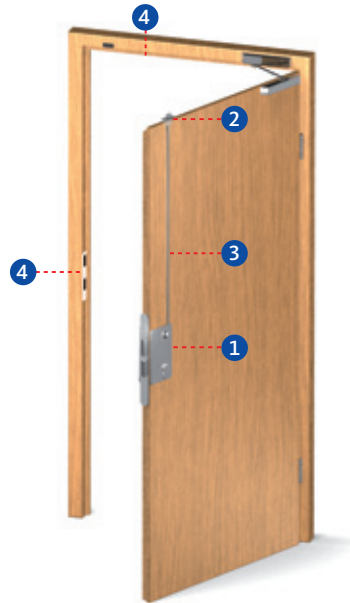
Combination NEO 400

Standard function, single-leaf, top-locking feature



Active leaf:

- ① = Fire rated door lock with top-locking feature
- ② = Spring-operated top latch
- ③ = Vertical rod
- ④ = Striker



Active leaf						
No.	Product	Backset	20 mm faceplate for rebated doors		24 mm faceplate for flush doors	Additional PC/CH-RC versions see page
			DIN LH	DIN RH	Non-handed	
1	2338	65	B-23380-02-L-8	B-23380-02-R-8	B-23380-22-L-8	220
		80	B-23380-03-L-8	B-23380-03-R-8	B-23380-23-L-8	220
		100	B-23380-04-L-8	B-23380-04-R-8	B-23380-24-L-8	220
2	1795	65, 80, 100	B 1795 0007		B 1795 0005	378
No.	Product					See page
3	9006	55-100	Rod length	1385 mm	B 9006 0022	402
				1500 mm	B 9006 0013	402

Frame					
Striker					
No.	Product			See page	
4	Angled striker	Non-handed		B 9000 0248	390
	Flat striker	Non-handed		B-90000-05-0-8	392
	Lipped striker	DIN LH	B-90000-61-L-8		394
		DIN RH	B-90000-61-R-8		
	Lipped striker for lock 1795	Non-handed		B 9000 0567	391

Combination NEO 400

Standard function, single-leaf, top-locking feature



Inside



Outside

Active leaf: lever set with rosettes

Order number*

B-72000-□□-0-□

□	Cylinder hole-type	□	Lever handle model	□	Finish
0	PC	0	RONDO H1.0	1	Silver/EV1 look
2	CH-RC	4	BELCANTO-PANIK H3.0	3	PVD brass
		6	OFFICE H4.0	7	Traffic white (RAL 9016)
		7	LEGATO H5.0	8	Satin stainless steel
		8	TREMOLO H6.0		
		9	DIRIGENT H7.0		

Active leaf: lever set with short backplates

Order number*

B-72010-□□-0-□

Active leaf: lever set with long backplates

Order number*

B-72020-□□-0-□

□	Cylinder hole-type – backplate design	□	Lever handle model	□	Finish
0	PC 72 mm – round	0	RONDO H1.0	1	Silver/EV1 look
1	PC 72 mm – square	4	BELCANTO-PANIK H3.0	3	PVD brass
2	CH-RC 74 mm – round	6	OFFICE H4.0	7	Traffic white (RAL 9016)
3	CH-RC 74 mm – square	7	LEGATO H5.0	8	Satin stainless steel
		8	TREMOLO H6.0		
		9	DIRIGENT H7.0		

Accessories: spindles and screws see from page 446.

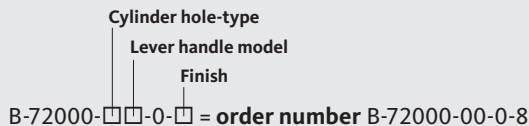
*Ordering example

Active leaf: lever set with rosettes = B-72000-□□-0-□

Cylinder hole-type – PC = 0 [refer to table]

Lever handle model RONDO H1.0 = 0 [refer to table]

Finish 8 = satin stainless steel [refer to table]



Combination NEO 400

Standard function, single-leaf, top-locking feature



Monitoring contacts

Product	Cylinder cam monitoring	Latch monitoring	Deadbolt monitoring	Follower monitoring	Exterior lever handle electrically coupled	Combinable with electric strike
2338	■	■	■	■	–	■

Door monitoring

No.	Product	Description	See page
1	B 5490 0300	Connecting cable	419
2	6-xxxx-xx-x-x	Cable link	416
3	B 5469 0010	Door contact	463

Door closers

For detailed order information please refer to our door closer order catalogue.

Combination NE 120

Standard function, single-leaf



Inside



Outside

Functional description

Inside

The door leaf is opened by key and lever handle; the door is locked with the key.

Outside

The door leaf is opened by key and lever handle; the door is locked with the key.

Possible applications

- Suitable for fire and smoke protection doors
- As the fixed knob or push/pull handle is on the outside, access from the outside is only possible using the key.
- Optional combination with electric access control and/or escape door security components (see the following pages)

Recommendation

- Doors on transformer stations and boiler rooms
- Lift
- Underground car parks
- Entrance doors for warehouses and office buildings
- Storage rooms
- Basement rooms

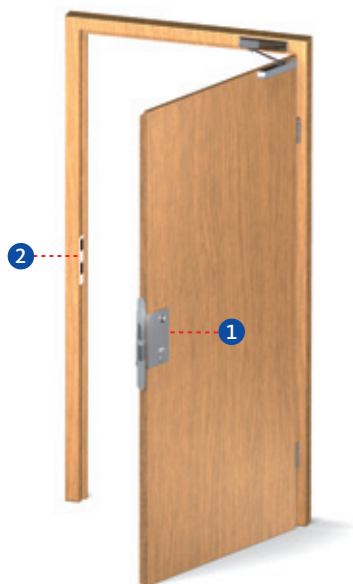
Combination NE 120

Standard function, single-leaf



Active leaf:

- ① = Fire rated door lock
- ② = Striker



Active leaf							
No.	Product	Backset	20 mm faceplate for rebated doors		24 mm faceplate for flush doors		Additional PC/CH-RC versions see page
			DIN LH	DIN RH	DIN LH	DIN RH	
1	1206 grade 5	55	B-12060-50-L-8	B-12060-50-R-8	B-12060-54-L-8	B-12060-54-R-8	212
		65	B-12060-51-L-8	B-12060-51-R-8	B-12060-55-L-8	B-12060-55-R-8	212
		80	B-12060-52-L-8	B-12060-52-R-8	B-12060-56-L-8	B-12060-56-R-8	212

Frame					
Striker					
No.	Product			See page	
2	Angled striker	Non-handed		B 9000 0248	390
	Flat striker	Non-handed		B-90000-05-0-8	392
	Lipped striker	DIN LH		B-90000-61-L-8	394
		DIN RH		B-90000-61-R-8	

Combination NE 120

Standard function, single-leaf



Inside



Outside

Active leaf: entrance set with rosettes

Order number*		Knob			
B-72200-□□-0-□		Round knob K1.0			
B-72400-□□-0-□		Ball knob K2.0			
□	Cylinder hole-type	□	Lever handle model	□	Finish
0	PC	0	RONDO H1.0	1	Silver/EV1 look
2	CH-RC	4	BELCANTO-PANIK H3.0	3	PVD brass
		6	OFFICE H4.0	7	Traffic white (RAL 9016)
		7	LEGATO H5.0	8	Satin stainless steel
		8	TREMOLO H6.0		
		9	DIRIGENT H7.0		

Active leaf: entrance set with short backplates

Order number*		Knob	
B-72210-□□-0-□		Round knob K1.0	
B-72410-□□-0-□		Ball knob K2.0	

Active leaf: entrance set with long backplates

Order number*		Knob			
B-72220-□□-0-□		Round knob K1.0			
B-72420-□□-0-□		Ball knob K2.0			
□	Cylinder hole-type – backplate design	□	Lever handle model	□	Finish
0	PC 72 mm – round	0	RONDO H1.0	1	Silver/EV1 look
1	PC 72 mm – square	4	BELCANTO-PANIK H3.0	3	PVD brass
2	CH-RC 74 mm – round	6	OFFICE H4.0	7	Traffic white (RAL 9016)
3	CH-RC 74 mm – square	7	LEGATO H5.0	8	Satin stainless steel
		8	TREMOLO H6.0		
		9	DIRIGENT H7.0		

Accessories: spindles and screws see from page 446.

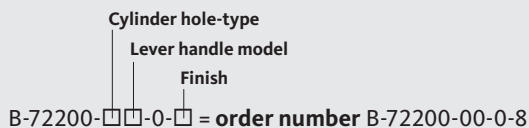
*Ordering example

Active leaf: entrance set with rosettes = B-72200-□□-0-□

Cylinder hole-type – PC = 0 [refer to table]

Lever handle model RONDO H1.0 = 0 [refer to table]

Finish 8 = satin stainless steel [refer to table]



Combination NE 120

Standard function, single-leaf



Monitoring contacts

Product	Cylinder cam monitoring	Latch monitoring	Deadbolt monitoring	Follower monitoring	Exterior lever handle electrically coupled	Combinable with electric strike
1206	-	■	■	■	-	■

Door monitoring

No.	Product	Description	See page
1	B 5490 0302	Connecting cable	419
2	6-xxxx-xx-x-x	Cable link	416
3	B 5469 0010	Door contact	463

Door closers

For detailed order information please refer to our door closer order catalogue.

Combination NEO 420

Standard function, single-leaf, top-locking feature



Inside



Outside

Functional description

Inside

The door leaf is opened by key and lever handle; the spring-operated top latch is retracted by the rod; the door is locked with the key.

Outside

The door leaf is opened by key and lever handle; the door is locked with the key.

Possible applications

- Suitable for fire and smoke protection doors
- As the fixed knob or push/pull handle is on the outside, access from the outside is only possible using the key.
- Suitable for very high entrance doors with a tendency to warp (only by agreement with the door fabricator and in compliance with approvals)
- Enhanced burglar protection and gasket pressure thanks to the additional top-locking feature
- Optional combination with electric access control and/or escape door security components (see the following pages)

Recommendation

- Doors on transformer stations and boiler rooms
- Lift
- Underground car parks
- Entrance doors for warehouses and office buildings
- Basement rooms
- Cleaning equipment rooms

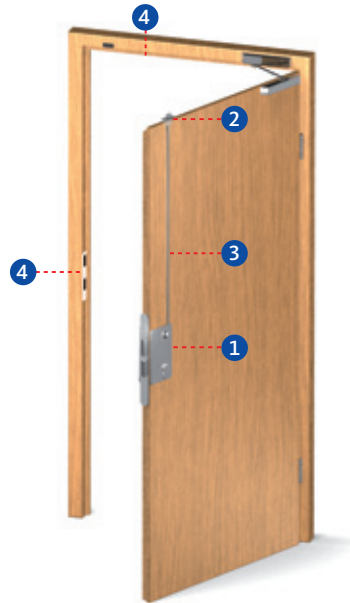
Combination NEO 420

Standard function, single-leaf, top-locking feature



Active leaf:

- 1 = Fire rated door lock with top-locking feature
- 2 = Spring-operated top latch
- 3 = Vertical rod
- 4 = Striker



Active leaf						
No.	Product	Backset	20 mm faceplate for rebated doors		24 mm faceplate for flush doors	Additional PC/CH-RC versions see page
			DIN LH	DIN RH	Non-handed	
1	2338	65	B-23380-02-L-8	B-23380-02-R-8	B-23380-22-L-8	220
		80	B-23380-03-L-8	B-23380-03-R-8	B-23380-23-L-8	220
		100	B-23380-04-L-8	B-23380-04-R-8	B-23380-24-L-8	220
2	1795	65, 80, 100	B 1795 0007		B 1795 0005	378
No.	Product					See page
3	9006	55-100	Rod length	1385 mm	B 9006 0022	402
				1500 mm	B 9006 0013	402

Frame					
Striker					
No.	Product			See page	
4	Angled striker		Non-handed	B 9000 0248	390
	Flat striker		Non-handed	B-90000-05-0-8	392
	Lipped striker		DIN LH	B-90000-61-L-8	394
			DIN RH	B-90000-61-R-8	
	Lipped striker for lock 1795		Non-handed	B 9000 0567	391

Combination NEO 420

Standard function, single-leaf, top-locking feature



Inside



Outside

Active leaf: entrance set with rosettes

Order number*		Knob			
B-72200-□□-0-□		Round knob K1.0			
B-72400-□□-0-□		Ball knob K2.0			
□	Cylinder hole-type	□	Lever handle model	□	Finish
0	PC	0	RONDO H1.0	1	Silver/EV1 look
2	CH-RC	4	BELCANTO-PANIK H3.0	3	PVD brass
		6	OFFICE H4.0	7	Traffic white (RAL 9016)
		7	LEGATO H5.0	8	Satin stainless steel
		8	TREMOLO H6.0		
		9	DIRIGENT H7.0		

Active leaf: entrance set with short backplates

Order number*		Knob	
B-72210-□□-0-□		Round knob K1.0	
B-72410-□□-0-□		Ball knob K2.0	

Active leaf: entrance set with long backplates

Order number*		Knob			
B-72220-□□-0-□		Round knob K1.0			
B-72420-□□-0-□		Ball knob K2.0			
□	Cylinder hole-type – backplate design	□	Lever handle model	□	Finish
0	PC 72 mm – round	0	RONDO H1.0	1	Silver/EV1 look
1	PC 72 mm – square	4	BELCANTO-PANIK H3.0	3	PVD brass
2	CH-RC 74 mm – round	6	OFFICE H4.0	7	Traffic white (RAL 9016)
3	CH-RC 74 mm – square	7	LEGATO H5.0	8	Satin stainless steel
		8	TREMOLO H6.0		
		9	DIRIGENT H7.0		

Accessories: spindles and screws see from page 446.

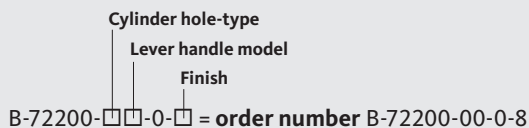
*Ordering example

Active leaf: entrance set with rosettes = B-72200-□□-0-□

Cylinder hole-type – PC = 0 [refer to table]

Lever handle model RONDO H1.0 = 0 [refer to table]

Finish 8 = satin stainless steel [refer to table]



Combination NEO 420

Standard function, single-leaf, top-locking feature



Monitoring contacts

Product	Cylinder cam monitoring	Latch monitoring	Deadbolt monitoring	Follower monitoring	Exterior lever handle electrically coupled	Combinable with electric strike
2338	■	■	■	■	–	■

Door monitoring

No.	Product	Description	See page
1	B 5490 0300	Connecting cable	419
2	6-xxxx-xx-x-x	Cable link	416
3	B 5469 0010	Door contact	463

Door closers

For detailed order information please refer to our door closer order catalogue.

Combination NZA 150

Standard function, double-leaf, automatic locking of passive leaf



Inside



Outside

Functional description

Active leaf

Inside

The active leaf is opened with the key and lever handle and locked with the key.

Outside

The active leaf is opened with the key and lever handle and locked with the key.

Passive leaf

Inside

The passive leaf can only be unlocked when the active leaf is open. By operating the lever integrated in the faceplate of the lever-operated shoot-bolt lock, the vertical rod is retracted manually into the door leaf. The vertical rod is then engaged to prevent it from extending. Upon closing, the passive leaf is locked automatically via the vertical rods. The closing sequence of the door is controlled by the door-leaf coordinator integrated in the door closer.

Possible applications

- Suitable for fire and smoke protection doors
- As the lever handle is on the outside, the door can be used as a connecting door from both sides
- The passive leaf is only operated via the lever-operated shoot-bolt lock if required
- Optional combination with electric access control and/or escape door security components (see the following pages)

Recommendation

- Storage rooms
- Administrative areas

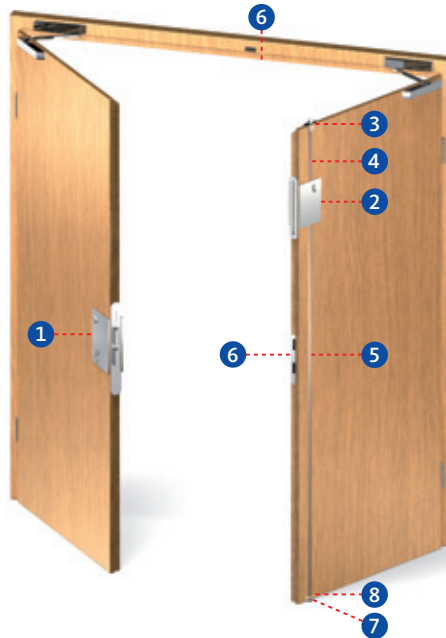
Combination NZA 150

Standard function, double-leaf, automatic locking of passive leaf



Active leaf:

① = Fire rated door lock



Passive leaf:

- ② = Lever-operated shoot-bolt lock
- ③ = Passive-leaf control lock
- ④ = Vertical rod
- ⑤ = Solid vertical rod
- ⑥ = Striker
- ⑦ = Floor striker
- ⑧ = Guide plate for vertical rod

Active leaf							
No.	Product	Backset	20 mm faceplate for rebated doors		24 mm faceplate for flush doors		Additional PC/CH-RC versions see page
			DIN LH	DIN RH	DIN LH	DIN RH	
1	1206 grade 5	55	B-12060-50-L-8	B-12060-50-R-8	B-12060-54-L-8	B-12060-54-R-8	212
		65	B-12060-51-L-8	B-12060-51-R-8	B-12060-55-L-8	B-12060-55-R-8	212
		80	B-12060-52-L-8	B-12060-52-R-8	B-12060-56-L-8	B-12060-56-R-8	212

Passive leaf						
No.	Product	Backset	Faceplate 20 mm		Faceplate 24 mm	See page
2	1899	30	B 1899 0260		B 1899 0222	381
		45	B 1899 0263		B 1899 0225	381
		65	B 1899 0267		B 1899 0229	381
3	1895	65	B 1895 0002		B 1895 0003	379
		80 + 100	B 1895 0004		B 1895 0005	379
No.	Product					See page
4	9006	With end plug	Rod length	1500 mm	B 9006 0013	402
5	9006	Solid	Rod length	1187 mm	B 9006 0004	402
6	9000	For 1206	Non-handed		B 9000 0248	390
			Non-handed		B-90000-05-0-8	392
			DIN LH		B-90000-61-L-8	394
			DIN RH		B-90000-61-R-8	394
		For 1895	Non-handed		B 9000 0490	391
7	9009/B-0028	B 9009 0001 or B-00280-20-0-8				404
8	9019	B 9019 0001				405

Combination NZA 150

Standard function, double-leaf, automatic locking of passive leaf



Inside



Outside

Active leaf: lever set with rosettes

Order number*

B-72000-□□-0-□

□	Cylinder hole-type	□	Lever handle model	□	Finish
0	PC	0	RONDO H1.0	1	Silver/EV1 look
2	CH-RC	4	BELCANTO-PANIK H3.0	3	PVD brass
		6	OFFICE H4.0	7	Traffic white (RAL 9016)
		7	LEGATO H5.0	8	Satin stainless steel
		8	TREMOLO H6.0		
		9	DIRIGENT H7.0		

Active leaf: lever set with short backplates

Order number*

B-72010-□□-0-□

Active leaf: lever set with long backplates

Order number*

B-72020-□□-0-□

□	Cylinder hole-type – backplate design	□	Lever handle model	□	Finish
0	PC 72 mm – round	0	RONDO H1.0	1	Silver/EV1 look
1	PC 72 mm – square	4	BELCANTO-PANIK H3.0	3	PVD brass
2	CH-RC 74 mm – round	6	OFFICE H4.0	7	Traffic white (RAL 9016)
3	CH-RC 74 mm – square	7	LEGATO H5.0	8	Satin stainless steel
		8	TREMOLO H6.0		
		9	DIRIGENT H7.0		

Accessories: spindles and screws see from page 446.

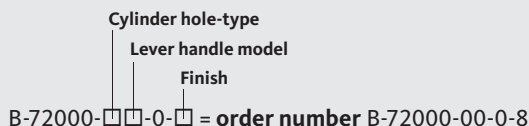
*Ordering example

Active leaf: lever set with rosettes = B-72000-□□-0-□

Cylinder hole-type – PC = 0 [refer to table]

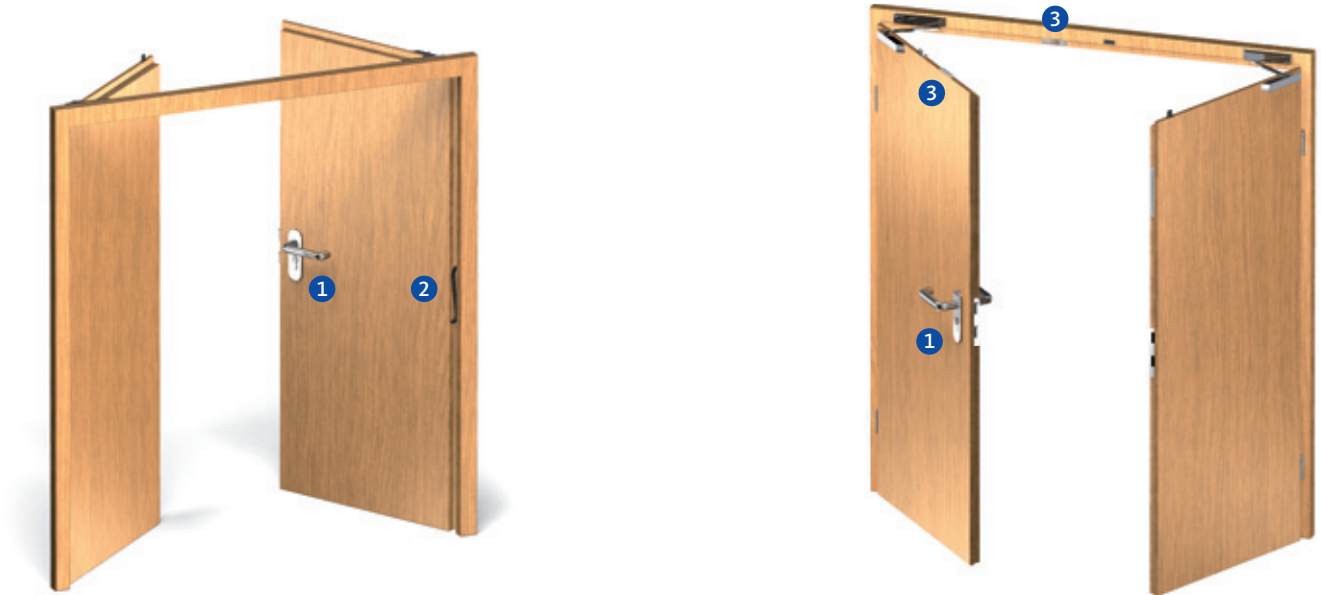
Lever handle model RONDO H1.0 = 0 [refer to table]

Finish 8 = satin stainless steel [refer to table]



Combination NZA 150

Standard function, double-leaf, automatic locking of passive leaf



Monitoring contacts

Product	Cylinder cam monitoring	Latch monitoring	Deadbolt monitoring	Follower monitoring	Exterior lever handle electrically coupled	Combinable with electric strike
1206	-	■	■	■	-	■

Door monitoring

No.	Product	Description	See page
1	B 5490 0302	Connecting cable	419
2	6-xxxx-xx-x-x	Cable link	416
3	B 5469 0010	Door contact	463

Door closer/carrier bar

For detailed order information please refer to our door closer order catalogue.

Combination NZO 400

Standard function, double-leaf, active leaf with top-locking feature



Inside



Outside

Functional description

Active leaf

Inside

The active leaf is opened by key and lever handle; the spring-operated top latch is retracted by the rod; the door is locked with the key.

Outside

The active leaf is opened with the key and lever handle and locked with the key.

Passive leaf

Inside

The passive leaf can only be unlocked when the active leaf is open. By operating the lever integrated in the faceplate of the lever-operated shoot-bolt lock, the vertical rod is retracted manually into the door leaf. The vertical rod is then engaged to prevent it from extending. Upon closing, the passive leaf is locked automatically via the vertical rod. The closing sequence of the door is controlled by the door-leaf coordinator integrated in the door closer.

Possible applications

- Suitable for fire and smoke protection doors
- As the lever handle is on the outside, the door can be used as a connecting door from both sides
- Suitable for very high entrance doors with a tendency to warp (only by agreement with the door fabricator and in compliance with approvals)
- Enhanced burglar protection and gasket pressure thanks to the additional top-locking feature
- The passive leaf is only operated via the lever-operated shoot-bolt lock if required
- Optional combination with electric access control and/or escape door security components (see the following pages)

Recommendation

- Storage rooms
- Administrative areas

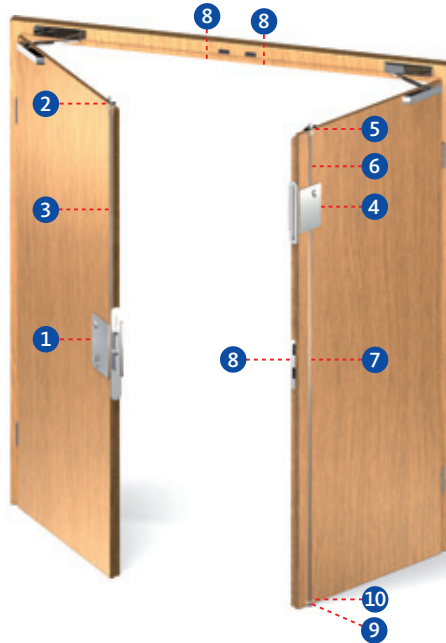
Combination NZO 400

Standard function, double-leaf, active leaf with top-locking feature



Active leaf:

- 1 = Fire rated door lock with top-locking feature
- 2 = Spring-operated top latch
- 3 = Vertical rod
- 8 = Striker



Passive leaf:

- 4 = Lever-operated shoot-bolt lock
- 5 = Passive-leaf control lock
- 6 = Vertical rod
- 7 = Solid vertical rod
- 8 = Striker
- 9 = Floor striker
- 10 = Guide plate for vertical rod

Active leaf

No.	Product	Backset	20 mm faceplate for rebated doors		24 mm faceplate for flush doors	Additional PC/CH-RC versions see page
			DIN LH	DIN RH	Non-handed	
1	2338	65	B-23380-02-L-8	B-23380-02-R-8	B-23380-22-L-8	220
		80	B-23380-03-L-8	B-23380-03-R-8	B-23380-23-L-8	220
		100	B-23380-04-L-8	B-23380-04-R-8	B-23380-24-L-8	220
2	1795	65, 80, 100	B 1795 0007		B 1795 0005	378
No.	Product					See page
3	9006	55-100	Rod length	1385 mm	B 9006 0022	402
				1500 mm	B 9006 0013	402

Passive leaf

No.	Product	Backset	Faceplate 20 mm		Faceplate 24 mm	See page
4	1899	30	B 1899 0260		B 1899 0222	381
		45	B 1899 0263		B 1899 0225	381
		65	B 1899 0267		B 1899 0229	381
5	1895	65	B 1895 0002		B 1895 0003	379
		80 + 100	B 1895 0004		B 1895 0005	379
No.	Product					See page
6	9006	With end plug	Rod length	1500 mm	B 9006 0013	402
7	9006	Solid	Rod length	1187 mm	B 9006 0004	402
8	9000	For 2338	Non-handed		B 9000 0248	390
			Non-handed		B-90000-05-0-8	392
			DIN LH		B-90000-61-L-8	394
			DIN RH		B-90000-61-R-8	394
		For 1795	Non-handed		B 9000 0567	391
For 1895	Non-handed		B 9000 0490	391		
9	9009/B-0028	B 9009 0001 or B-00280-20-0-8				404
10	9019	B 9019 0001				405

Combination NZO 400

Standard function, double-leaf, active leaf with top-locking feature



Inside



Outside

Active leaf: lever set with rosettes

Order number*

B-72000-□□-0-□

□	Cylinder hole-type	□	Lever handle model	□	Finish
0	PC	0	RONDO H1.0	1	Silver/EV1 look
2	CH-RC	4	BELCANTO-PANIK H3.0	3	PVD brass
		6	OFFICE H4.0	7	Traffic white (RAL 9016)
		7	LEGATO H5.0	8	Satin stainless steel
		8	TREMOLO H6.0		
		9	DIRIGENT H7.0		

Active leaf: lever set with short backplates

Order number*

B-72010-□□-0-□

Active leaf: lever set with long backplates

Order number*

B-72020-□□-0-□

□	Cylinder hole-type – backplate design	□	Lever handle model	□	Finish
0	PC 72 mm – round	0	RONDO H1.0	1	Silver/EV1 look
1	PC 72 mm – square	4	BELCANTO-PANIK H3.0	3	PVD brass
2	CH-RC 74 mm – round	6	OFFICE H4.0	7	Traffic white (RAL 9016)
3	CH-RC 74 mm – square	7	LEGATO H5.0	8	Satin stainless steel
		8	TREMOLO H6.0		
		9	DIRIGENT H7.0		

Accessories: spindles and screws see from page 446.

*Ordering example

Active leaf: lever set with rosettes = B-72000-□□-0-□

Cylinder hole-type – PC = 0 [refer to table]

Lever handle model RONDO H1.0 = 0 [refer to table]

Finish 8 = satin stainless steel [refer to table]

Cylinder hole-type
Lever handle model
Finish
B-72000-□□-0-□ = order number B-72000-00-0-8

Combination NZO 400

Standard function, double-leaf, active leaf with top-locking feature



Monitoring contacts

Product	Cylinder cam monitoring	Latch monitoring	Deadbolt monitoring	Follower monitoring	Exterior lever handle electrically coupled	Combinable with electric strike
2338	■	■	■	■	-	■

Door monitoring

No.	Product	Description	See page
1	B 5490 0300	Connecting cable	419
2	6-xxxx-xx-x-x	Cable link	416
3	B 5469 0010	Door contact	463

Door closer/carrier bar

For detailed order information please refer to our door closer order catalogue.

Combination NZA 190

Standard function, double-leaf, automatic locking of passive leaf



Inside



Outside

Functional description

Active leaf

Inside

The active leaf is opened with the key and lever handle and locked with the key.

Outside

The active leaf can only be opened with the key and is locked with the key.

Passive leaf

Inside

The passive leaf can only be unlocked when the active leaf is open. By operating the lever integrated in the faceplate of the lever-operated shoot-bolt lock, the vertical rod is retracted manually into the door leaf. The vertical rod is then engaged to prevent it from extending. Upon closing, the passive leaf is locked automatically via the vertical rod. The closing sequence of the door is controlled by the door-leaf coordinator integrated in the door closer.

Possible applications

- Suitable for fire and smoke protection doors
- As the fixed knob or push/pull handle is on the outside, access from the outside is only possible using the key.
- The passive leaf is only operated via the lever-operated shoot-bolt lock if required
- Optional combination with electric access control and/or escape door security components (see the following pages)

Recommendation

- Storage rooms
- Administrative areas

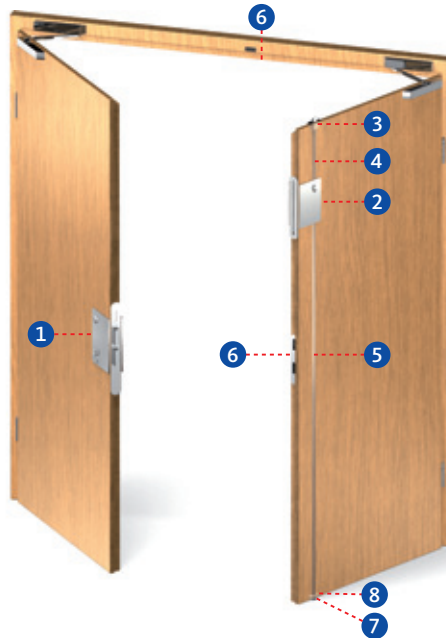
Combination NZA 190

Standard function, double-leaf, automatic locking of passive leaf



Active leaf:

1 = Fire rated door lock



Passive leaf:

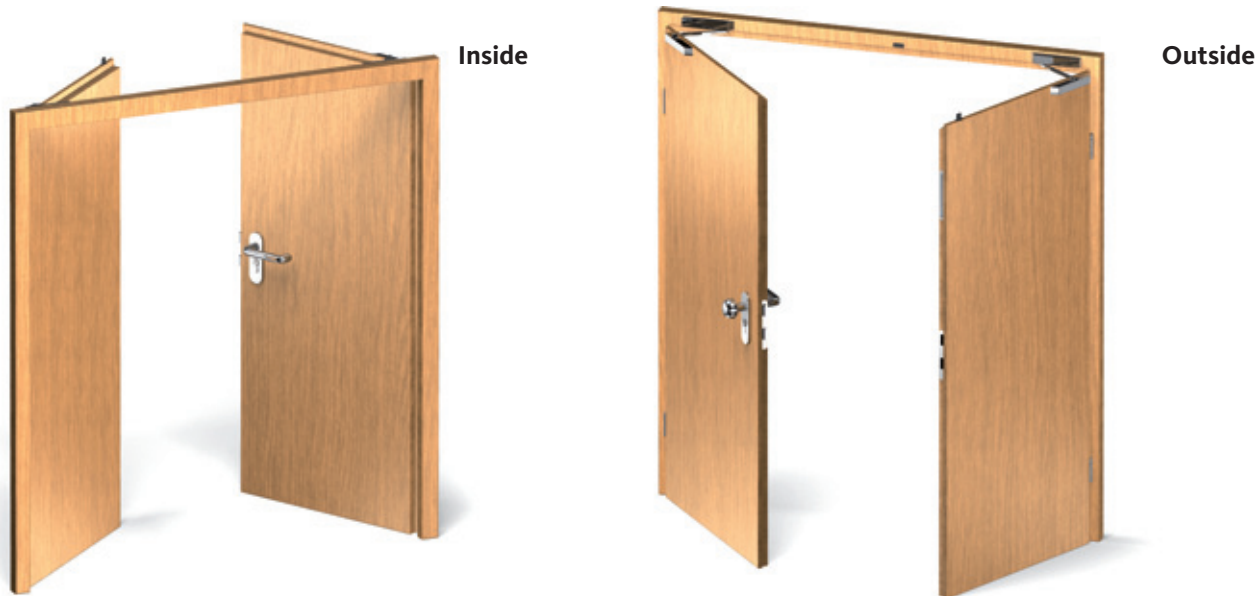
- 2 = Lever-operated shoot-bolt lock
- 3 = Passive-leaf control lock
- 4 = Vertical rod
- 5 = Solid vertical rod
- 6 = Striker
- 7 = Floor striker
- 8 = Guide plate for vertical rod

Active leaf							
No.	Product	Backset	20 mm faceplate for rebated doors		24 mm faceplate for flush doors		Additional PC/CH-RC versions see page
			DIN LH	DIN RH	DIN LH	DIN RH	
1	1206 grade 5	55	B-12060-50-L-8	B-12060-50-R-8	B-12060-54-L-8	B-12060-54-R-8	212
		65	B-12060-51-L-8	B-12060-51-R-8	B-12060-55-L-8	B-12060-55-R-8	212
		80	B-12060-52-L-8	B-12060-52-R-8	B-12060-56-L-8	B-12060-56-R-8	212

Passive leaf						
No.	Product	Backset	Faceplate 20 mm		Faceplate 24 mm	See page
2	1899	30	B 1899 0260		B 1899 0222	381
		45	B 1899 0263		B 1899 0225	381
		65	B 1899 0267		B 1899 0229	381
3	1895	65	B 1895 0002		B 1895 0003	379
		80 + 100	B 1895 0004		B 1895 0005	379
No.	Product	Backset	Rod length	Rod length	See page	See page
4	9006	With end plug	1500 mm	B 9006 0013	402	402
5	9006	Solid	1187 mm	B 9006 0004	402	402
6	9000	For 1206	Non-handed	B 9000 0248	390	390
			Non-handed	B-90000-05-0-8	392	392
			DIN LH	B-90000-61-L-8	394	394
			DIN RH	B-90000-61-R-8	394	394
		For 1895	Non-handed	B 9000 0490	391	391
7	9009/B-0028	B 9009 0001 or B-00280-20-0-8				404
8	9019	B 9019 0001				405

Combination NZA 190

Standard function, double-leaf, automatic locking of passive leaf



Active leaf: entrance set with rosettes

Order number*		Knob			
B-72200-□□-0-□		Round knob K1.0			
B-72400-□□-0-□		Ball knob K2.0			
□	Cylinder hole-type	□	Lever handle model	□	Finish
0	PC	0	RONDO H1.0	1	Silver/EV1 look
2	CH-RC	4	BELCANTO-PANIK H3.0	3	PVD brass
		6	OFFICE H4.0	7	Traffic white (RAL 9016)
		7	LEGATO H5.0	8	Satin stainless steel
		8	TREMOLO H6.0		
		9	DIRIGENT H7.0		

Active leaf: entrance set with short backplates

Order number*		Knob	
B-72210-□□-0-□		Round knob K1.0	
B-72410-□□-0-□		Ball knob K2.0	

Active leaf: entrance set with long backplates

Order number*		Knob			
B-72220-□□-0-□		Round knob K1.0			
B-72420-□□-0-□		Ball knob K2.0			
□	Cylinder hole-type – backplate design	□	Lever handle model	□	Finish
0	PC 72 mm – round	0	RONDO H1.0	1	Silver/EV1 look
1	PC 72 mm – square	4	BELCANTO-PANIK H3.0	3	PVD brass
2	CH-RC 74 mm – round	6	OFFICE H4.0	7	Traffic white (RAL 9016)
3	CH-RC 74 mm – square	7	LEGATO H5.0	8	Satin stainless steel
		8	TREMOLO H6.0		
		9	DIRIGENT H7.0		

Accessories: spindles and screws see from page 446.

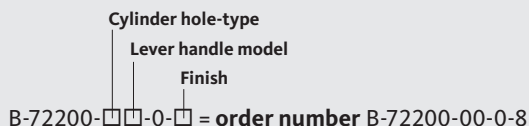
*Ordering example

Active leaf: entrance set with rosettes = B-72200-□□-0-□

Cylinder hole-type – PC = 0 [refer to table]

Lever handle model RONDO H1.0 = 0 [refer to table]

Finish 8 = satin stainless steel [refer to table]



Combination NZA 190

Standard function, double-leaf, automatic locking of passive leaf



Monitoring contacts

Product	Cylinder cam monitoring	Latch monitoring	Deadbolt monitoring	Follower monitoring	Exterior lever handle electrically coupled	Combinable with electric strike
1206	-	■	■	■	-	■

Door monitoring

No.	Product	Description	See page
1	B 5490 0302	Connecting cable	419
2	6-xxxx-xx-x-x	Cable link	416
3	B 5469 0010	Door contact	463

Door closer/carrier bar

For detailed order information please refer to our door closer order catalogue.

Combination NZA 110

Standard function, double-leaf, automatic locking of passive leaf



Inside



Outside

Functional description

Active leaf

Inside

The active leaf is opened with the key and lever handle and locked with the key.

Outside

The active leaf is opened with the key and lever handle and locked with the key.

Passive leaf

Inside

The passive leaf can only be unlocked when the active leaf is open.

When the door hardware is operated the vertical rods retract manually into the door leaf.

The vertical rod is then engaged to prevent it from extending.

Upon closing, the passive leaf is locked automatically via the vertical rod. The closing sequence of the door is controlled by the door-leaf coordinator integrated in the door closer.

Possible applications

- Suitable for fire and smoke protection doors
- As the lever handle is on the outside, the door can be used as a connecting door from both sides
- Optional combination with electric access control and/or escape door security components (see the following pages)

Recommendation

- Storage rooms
- Administrative areas

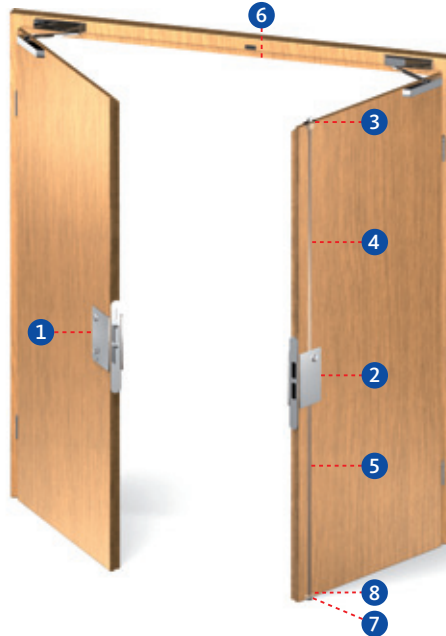
Combination NZA 110

Standard function, double-leaf, automatic locking of passive leaf



Active leaf:

1 = Fire rated door lock



Passive leaf:

2 = Shoot-bolt lock

3 = Passive-leaf control lock

4 = Vertical rod

5 = Solid vertical rod

6 = Striker

7 = Floor striker

8 = Guide plate for vertical rod

Active leaf

No.	Product	Backset	20 mm faceplate for rebated doors		24 mm faceplate for flush doors		Additional PC/CH-RC versions see page
			DIN LH	DIN RH	DIN LH	DIN RH	
1	1206 grade 5	55	B-12060-50-L-8	B-12060-50-R-8	B-12060-54-L-8	B-12060-54-R-8	212
		65	B-12060-51-L-8	B-12060-51-R-8	B-12060-55-L-8	B-12060-55-R-8	212
		80	B-12060-52-L-8	B-12060-52-R-8	B-12060-56-L-8	B-12060-56-R-8	212

Passive leaf

No.	Product	Backset	20 mm faceplate for rebated doors		24 mm faceplate for flush doors		Additional versions See page
			DIN LH	DIN RH	DIN LH	DIN RH	
2	2394	65	B 2394 0310	B 2394 0309	B 2394 0202	B 2394 0201	288
		80	B 2394 0312	B 2394 0311	B 2394 0222	B 2394 0221	288
		100	B 2394 0314	B 2394 0313	B 2394 0226	B 2394 0225	288
	2397 for electric strike	Backset	Angled faceplate		Lipped faceplate		Additional versions See page
			DIN LH	DIN RH	DIN LH	DIN RH	
			65	B 2397 6040	B 2397 6041	B 2397 6020	
80	B 2397 6042	B 2397 6043	B 2397 6022	B 2397 6023	290		
100	B 2397 6044	B 2397 6045	B 2397 6024	B 2397 6025	290		
No.	Product	Backset	Faceplate 20 mm		Faceplate 24 mm		See page
3	1895	65	B 1895 0002		B 1895 0003		379
		80 + 100	B 1895 0004		B 1895 0005		379
No.	Product						See page
4	9006	With end plug	B 9006 0013				402
5	9006	Solid	B 9006 0004				402
6	9000	For 1895	B 9000 0490				391
7	9009/B-0028	B 9009 0001 or B-00280-20-0-8					404
8	9019	B 9019 0001					405

Combination NZA 110

Standard function, double-leaf, automatic locking of passive leaf



Inside



Outside

Active leaf: lever set with rosettes

Order number*

B-72000-□□-0-□

□ Cylinder hole-type	□ Lever handle model	□ Finish
0 PC	0 RONDO H1.0	1 Silver/EV1 look
2 CH-RC	4 BELCANTO-PANIK H3.0	3 PVD brass
	6 OFFICE H4.0	7 Traffic white (RAL 9016)
	7 LEGATO H5.0	8 Satin stainless steel
	8 TREMOLO H6.0	
	9 DIRIGENT H7.0	

Active leaf: lever set with short backplates

Order number*

B-72010-□□-0-□

Active leaf: lever set with long backplates

Order number*

B-72020-□□-0-□

□ Cylinder hole-type – backplate design	□ Lever handle model	□ Finish
0 PC 72 mm – round	0 RONDO H1.0	1 Silver/EV1 look
1 PC 72 mm – square	4 BELCANTO-PANIK H3.0	3 PVD brass
	6 OFFICE H4.0	7 Traffic white (RAL 9016)
2 CH-RC 74 mm – round	7 LEGATO H5.0	8 Satin stainless steel
	8 TREMOLO H6.0	
	9 DIRIGENT H7.0	

Passive leaf: vertical lever with rosette

Order number*

B-72900-□□-0-□

□ Backplate design	□ Lever handle model	□ Finish
0 Round	0 RONDO H1.0	1 Silver/EV1 look
	4 BELCANTO-PANIK H3.0	3 PVD brass
	6 OFFICE H4.0	7 Traffic white (RAL 9016)
	7 LEGATO H5.0	8 Satin stainless steel
	8 TREMOLO H6.0	
	9 DIRIGENT H7.0	

Passive leaf: vertical lever with short backplate

Order number*

B-72910-□□-0-□

Passive leaf: vertical lever with long backplate

Order number*

B-72920-□□-0-□

□ Cylinder hole-type – backplate design	□ Lever handle model	□ Finish
0 Without PC hole – round	0 RONDO H1.0	1 Silver/EV1 look
1 Without PC hole – square	4 BELCANTO-PANIK H3.0	3 PVD brass
	6 OFFICE H4.0	7 Traffic white (RAL 9016)
	7 LEGATO H5.0	8 Satin stainless steel
	8 TREMOLO H6.0	
	9 DIRIGENT H7.0	

Accessories: spindles and screws see from page 446.

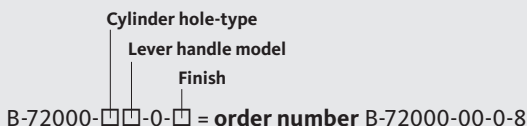
*Ordering example

Active leaf: lever set with rosettes = B-72000-□□-0-□

Cylinder hole-type – PC = 0 [refer to table]

Lever handle model RONDO H1.0 = 0 [refer to table]

Finish 8 = satin stainless steel [refer to table]



Combination NZA 110

Standard function, double-leaf, automatic locking of passive leaf



Monitoring contacts

Product	Cylinder cam monitoring	Latch monitoring	Deadbolt monitoring	Follower monitoring	Exterior lever handle electrically coupled	Combinable with electric strike
1206	-	■	■	■	-	■

Door monitoring

No.	Product	Description	See page
1	B 5490 0302	Connecting cable	419
2	6-xxxx-xx-x-x	Cable link	416
3	B 5469 0010	Door contact	463

Door closer/carrier bar

For detailed order information please refer to our door closer order catalogue.

Combination NZA 170

Standard function, double-leaf, automatic locking of passive leaf



Inside



Outside

Functional description

Active leaf

Inside

The active leaf is opened with the key and lever handle and locked with the key.

Outside

The active leaf can only be opened with the key and is locked with the key.

Passive leaf

Inside

The passive leaf can only be unlocked when the active leaf is open.

When the door hardware is operated the vertical rods retract manually into the door leaf.

The vertical rod is then engaged to prevent it from extending.

Upon closing, the passive leaf is locked automatically via the vertical rod. The closing sequence of the door is controlled by the door-leaf coordinator integrated in the door closer.

Possible applications

- Suitable for fire and smoke protection doors
- As the fixed knob or push/pull handle is on the outside, access from the outside is only possible using the key.
- Optional combination with electric access control and/or escape door security components (see the following pages)

Recommendation

- Storage rooms
- Administrative areas

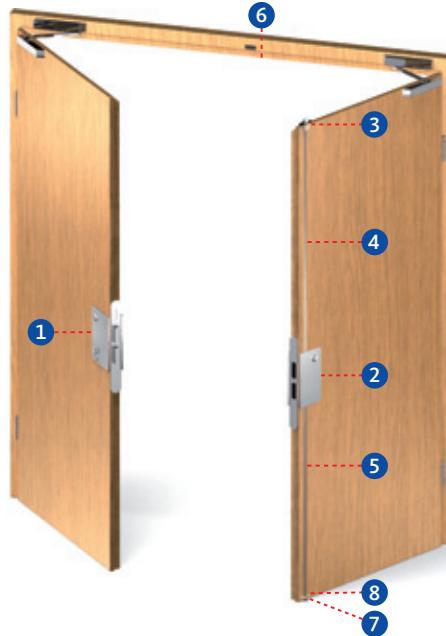
Combination NZA 170

Standard function, double-leaf, automatic locking of passive leaf



Active leaf:

① = Fire rated door lock



Passive leaf:

- ② = Shoot-bolt lock
- ③ = Passive-leaf control lock
- ④ = Vertical rod
- ⑤ = Solid vertical rod
- ⑥ = Striker
- ⑦ = Floor striker
- ⑧ = Guide plate for vertical rod

Active leaf

No.	Product	Backset	20 mm faceplate for rebated doors		24 mm faceplate for flush doors		Additional PC/CH-RC versions see page
			DIN LH	DIN RH	DIN LH	DIN RH	
1	1206 grade 5	55	B-12060-50-L-8	B-12060-50-R-8	B-12060-54-L-8	B-12060-54-R-8	212
		65	B-12060-51-L-8	B-12060-51-R-8	B-12060-55-L-8	B-12060-55-R-8	212
		80	B-12060-52-L-8	B-12060-52-R-8	B-12060-56-L-8	B-12060-56-R-8	212

Passive leaf

No.	Product	Backset	20 mm faceplate for rebated doors		24 mm faceplate for flush doors		Additional versions see page
			DIN LH	DIN RH	DIN LH	DIN RH	
2	2394	65	B 2394 0310	B 2394 0309	B 2394 0202	B 2394 0201	288
		80	B 2394 0312	B 2394 0311	B 2394 0222	B 2394 0221	288
		100	B 2394 0314	B 2394 0313	B 2394 0226	B 2394 0225	288
No.	Product	Backset	Faceplate 20 mm		Faceplate 24 mm		See page
3	1895	65	B 1895 0002		B 1895 0003		379
		80 + 100	B 1895 0004		B 1895 0005		379
No.	Product	Backset	Rod length	Rod length	Product	See page	
4	9006	With end plug		1500 mm	B 9006 0013	402	
5	9006	Solid		1187 mm	B 9006 0004	402	
6	9000	For 1895	Non-handed		B 9000 0490	391	
7	9009/B-0028	B 9009 0001 or B-00280-20-0-8				404	
8	9019	B 9019 0001				405	

Combination NZA 170

Standard function, double-leaf, automatic locking of passive leaf



Active leaf: lever set with rosettes

Order number*			
B-72000-□□-0-□			
□ Cylinder hole-type	□ Lever handle model	□ Finish	
0 PC	0 RONDO H1.0	1	Silver/EV1 look
2 CH-RC	4 BELCANTO-PANIK H3.0	3	PVD brass
	6 OFFICE H4.0	7	Traffic white (RAL 9016)
	7 LEGATO H5.0	8	Satin stainless steel
	8 TREMOLO H6.0		
	9 DIRIGENT H7.0		

Active leaf: lever set with short backplates

Order number*			
B-72010-□□-0-□			
Active leaf: lever set with long backplates			
Order number*			
B-72020-□□-0-□			
□ Cylinder hole-type – backplate design	□ Lever handle model	□ Finish	
0 PC 72 mm – round	0 RONDO H1.0	1	Silver/EV1 look
1 PC 72 mm – square	4 BELCANTO-PANIK H3.0	3	PVD brass
	6 OFFICE H4.0	7	Traffic white (RAL 9016)
2 CH-RC 74 mm – round	7 LEGATO H5.0	8	Satin stainless steel
	8 TREMOLO H6.0		
3 CH-RC 74 mm – square	9 DIRIGENT H7.0		

Passive leaf: vertical lever with rosette

Order number*			
B-72900-□□-0-□			
□ Backplate design	□ Lever handle model	□ Finish	
0 Round	0 RONDO H1.0	1	Silver/EV1 look
	4 BELCANTO-PANIK H3.0	3	PVD brass
	6 OFFICE H4.0	7	Traffic white (RAL 9016)
	7 LEGATO H5.0	8	Satin stainless steel
	8 TREMOLO H6.0		
	9 DIRIGENT H7.0		

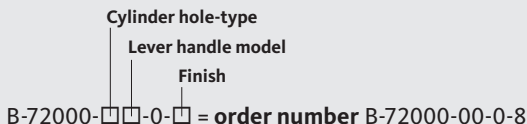
Passive leaf: vertical lever with short backplate

Order number*			
B-72910-□□-0-□			
Passive leaf: vertical lever with long backplate			
Order number*			
B-72920-□□-0-□			
□ Cylinder hole-type – backplate design	□ Lever handle model	□ Finish	
0 Without PC hole – round	0 RONDO H1.0	1	Silver/EV1 look
1 Without PC hole – square	4 BELCANTO-PANIK H3.0	3	PVD brass
	6 OFFICE H4.0	7	Traffic white (RAL 9016)
	7 LEGATO H5.0	8	Satin stainless steel
	8 TREMOLO H6.0		
	9 DIRIGENT H7.0		

Accessories: spindles and screws see from page 446.

*Ordering example

Active leaf: lever set with rosettes = B-72000-□□-0-□
 Cylinder hole-type – PC = 0 [refer to table]
 Lever handle model RONDO H1.0 = 0 [refer to table]
 Finish 8 = satin stainless steel [refer to table]



Combination NZA 170

Standard function, double-leaf, automatic locking of passive leaf



Monitoring contacts

Product	Cylinder cam monitoring	Latch monitoring	Deadbolt monitoring	Follower monitoring	Exterior lever handle electrically coupled	Combinable with electric strike
1206	-	■	■	■	-	■

Door monitoring

No.	Product	Description	See page
1	B 5490 0302	Connecting cable	419
2	6-xxxx-xx-x-x	Cable link	416
3	B 5469 0010	Door contact	463

Door closer/carrier bar

For detailed order information please refer to our door closer order catalogue.

Combination PE 100

Panic function, single-leaf



Inside



Outside

Functional description

Inside

The door can be opened by the lever handle at any time (panic function).

With series 23, the door is locked with the key.

With series 21, the door locks automatically without a key.

- Panic function B
- Panic function C
- Panic function D (only for series 23)

Outside

The door leaf is opened using the key and lever handle.

With series 23, the door is locked with the key.

With series 21, the door locks automatically without a key.

Possible applications

- Emergency exits to EN 179 in areas not accessible to the public
- Suitable for fire and smoke protection doors
- As the lever handle is on the outside, the door can be used as a connecting door from both sides depending on the particular panic function
- Optional combination with electric access control and/or escape door security components (see the following pages)

Recommendation

- Hallway doors in office buildings
- Homes for the elderly
- Secondary entrance doors
- Secondary entrance doors in kindergartens, schools and hotels

Combination PE 100

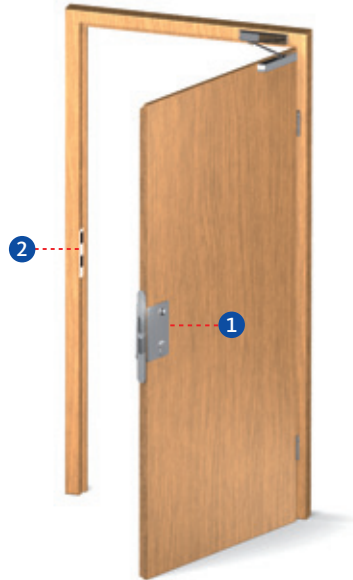
Panic function, single-leaf



Active leaf:

1 = Panic lock

2 = Striker



Active leaf						
No.	Product/ Panic function	Backset	20 mm faceplate for rebated doors		24 mm faceplate for flush doors Non-handed	Additional versions see page
			DIN LH	DIN RH		
1	1125/B	65	–	–	B-11250-02-U-2	224
	Product/ Panic function	Backset	20 mm faceplate for rebated doors		24 mm faceplate for flush doors Non-handed	Additional PC/CH-RC versions see page
	DIN LH	DIN RH				
	2320/B	65	B-23200-04-L-8	B-23200-04-R-8	B-23200-44-L-8	228
		80	B-23200-06-L-8	B-23200-06-R-8	B-23200-46-L-8	228
	2322/C	65	B-23220-04-L-8	B-23220-04-R-8	B-23220-44-L-8	232
		80	B-23220-06-L-8	B-23220-06-R-8	B-23220-46-L-8	232
	2324/D	65	B-23240-04-L-8	B-23240-04-R-8	B-23240-44-L-8	236
		80	B-23240-06-L-8	B-23240-06-R-8	B-23240-46-L-8	236
	Product/ Panic function	Backset	20 mm faceplate for rebated doors		24 mm faceplate for flush doors Non-handed	Additional PC/CH-RC versions see page
	DIN LH	DIN RH				
	2110/B self-locking	65	B-21100-02-L-8	B-21100-02-R-8	B-21100-22-L-8	310
		80	B-21100-03-L-8	B-21100-03-R-8	B-21100-23-L-8	310
	2112/C self-locking	65	B-21120-02-L-8	B-21120-02-R-8	B-21120-22-L-8	314
		80	B-21120-03-L-8	B-21120-03-R-8	B-21120-23-L-8	314
2170 electrically coupled	65	B-21700-04-L-8	B-21700-04-R-8	B-21700-06-L-8	328	
	80	B-21700-08-L-8	B-21700-08-R-8	B-21700-10-L-8	328	

Frame						
Striker						
No.	Product			See page		
2	Angled striker	Non-handed		B 9000 0248	390	
	Flat striker	Non-handed	Series 23	B-90000-05-0-8	392	
			Series 21	B-90000-01-0-8	393	
	Lipped striker		DIN LH	Series 23	B-90000-61-L-8	394
			DIN RH		B-90000-61-R-8	
			DIN LH	Series 21	B-90000-55-L-8	394
DIN RH			B-90000-55-R-8			

Combination PE 100

Panic function, single-leaf



Inside



Outside

Active leaf: lever set with rosettes

Order number*

B-72000-□□-0-□

□	Cylinder hole-type	□	Lever handle model	□	Finish
0	PC	0	RONDO H1.0	1	Silver/EV1 look
2	CH-RC	4	BELCANTO-PANIK H3.0	3	PVD brass
		6	OFFICE H4.0	7	Traffic white (RAL 9016)
		7	LEGATO H5.0	8	Satin stainless steel
		8	TREMOLO H6.0		
		9	DIRIGENT H7.0		

Active leaf: lever set with short backplates

Order number*

B-72010-□□-0-□

Active leaf: lever set with long backplates

Order number*

B-72020-□□-0-□

□	Cylinder hole-type – backplate design	□	Lever handle model	□	Finish
0	PC 72 mm – round	0	RONDO H1.0	1	Silver/EV1 look
1	PC 72 mm – square	4	BELCANTO-PANIK H3.0	3	PVD brass
2	CH-RC 74 mm – round	6	OFFICE H4.0	7	Traffic white (RAL 9016)
3	CH-RC 74 mm – square	7	LEGATO H5.0	8	Satin stainless steel
		8	TREMOLO H6.0		
		9	DIRIGENT H7.0		

Accessories: spindles and screws see from page 446.

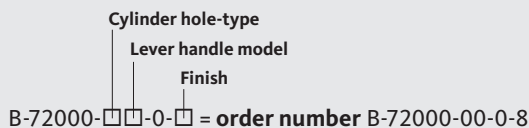
*Ordering example

Active leaf: lever set with rosettes = B-72000-□□-0-□

Cylinder hole-type – PC = 0 [refer to table]

Lever handle model RONDO H1.0 = 0 [refer to table]

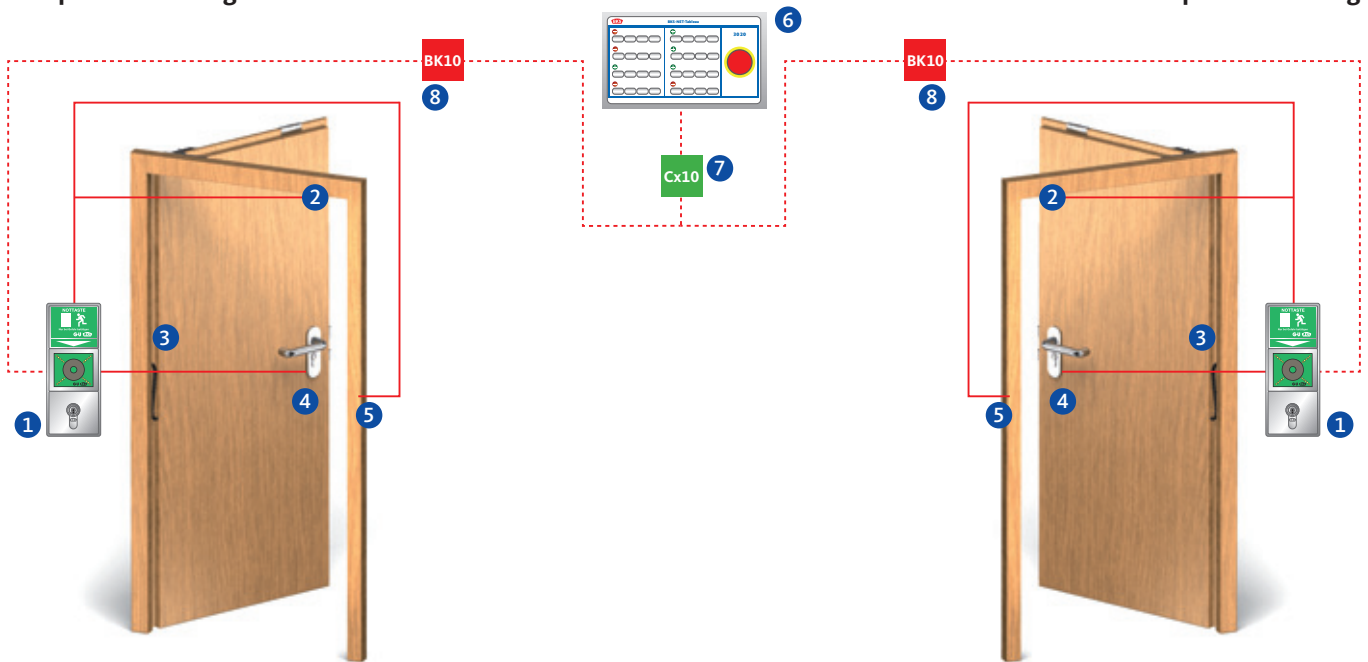
Finish 8 = satin stainless steel [refer to table]



Escape door locking

Centralised control and visualisation

Escape door locking



Monitoring contacts

Product	Cylinder cam monitoring	Latch monitoring	Deadbolt monitoring	Follower monitoring	Exterior lever handle electrically coupled	Combinable with electric strike
2320 / 2322 / 2324	■	■	■	■	–	■
2110	■	■	–	■	–	–
2112	■	■	–	■	–	–
2170	Including	Including	–	Including	■	–
2110 EVP	■	–	–	–	–	–

Escape door locking

No.	Product	Description	See page
1	B 5580 09xx	Escape door terminal set with integral power supply unit	452
2	B 5469 0010	Door contact	463
3	6-xxxx-xx-x-x	Cable link	416
4	B 5490 xxxx	Connecting cable	419
5	B 5465 040x	Electric escape door strike	414

Centralised control and visualisation

No.	Product	Description	See page
6	B 5580 0611	BKS-NET tablet with pre-installed software, licence included, for max. 8 doors (without collective display)	464
7	B 5580 0421	CU10 building bus coupler (USB interface)	469
8	B 5580 0411	BK10 in-wall bus coupler (without frame/cover)	469

Door closers

For detailed order information please refer to our door closer order catalogue.

Combination PEO 400

Panic function, single-leaf, top-locking feature



Inside



Outside

Functional description

Inside

The door can be opened by the lever handle at any time (panic function).

With series 23, the door is locked with the key.

With series 21, the door locks automatically without a key.

- Panic function B
- Panic function C
- Panic function D (only for series 23)

Outside

The door leaf is opened using the key and lever handle.

With series 23, the door is locked with the key.

With series 21, the door locks automatically without a key.

Possible applications

- Emergency exits to EN 179 in areas not accessible to the public
- Suitable for fire and smoke protection doors
- As the lever handle is on the outside, the door can be used as a connecting door from both sides depending on the particular panic function
- Suitable for very high entrance doors with a tendency to warp (only by agreement with the door fabricator and in compliance with approvals)
- Enhanced burglar protection and gasket pressure thanks to the additional top-locking feature
- Optional combination with electric access control and/or escape door security components (see the following pages)

Recommendation

- Hallway doors in office buildings
- Homes for the elderly
- Service doors
- Secondary entrance doors in kindergartens, schools and hotels

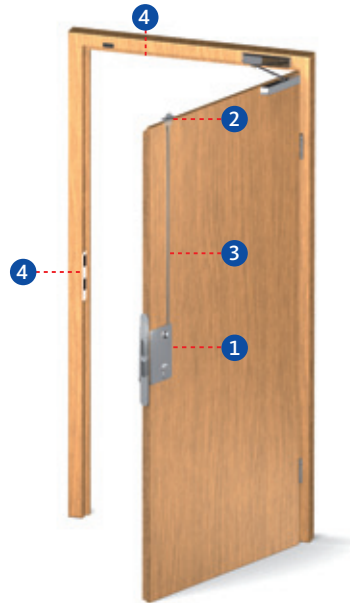
Combination PEO 400

Panic function, single-leaf, top-locking feature



Active leaf:

- 1 = Panic lock with top-locking feature
- 2 = Spring-operated top latch
- 3 = Vertical rod
- 4 = Striker



Active leaf							
No.	Product/ Panic function	Backset	20 mm faceplate for rebated doors		24 mm faceplate for flush doors	Additional PC/CH-RC versions see page	
			DIN LH	DIN RH	Non-handed		
1	2330/B	65	B-23300-04-L-8	B-23300-04-R-8	B-23300-44-L-8	246	
		80	B-23300-06-L-8	B-23300-06-R-8	B-23300-46-L-8	246	
	2332/C	65	B-23320-04-L-8	B-23320-04-R-8	B-23320-44-L-8	250	
		80	B-23320-06-L-8	B-23320-06-R-8	B-23320-46-L-8	250	
	2334/D	65	B-23340-04-L-8	B-23340-04-R-8	B-23340-44-L-8	254	
		80	B-23340-06-L-8	B-23340-06-R-8	B-23340-46-L-8	254	
		Product/ Panic function	Backset	20 mm faceplate for rebated doors		24 mm faceplate for flush doors	Additional PC/CH-RC versions see page
				DIN LH	DIN RH	Non-handed	
		2100/B self-locking	65	B-21000-02-L-8	B-21000-02-R-8	B-21000-22-L-8	298
			80	B-21000-03-L-8	B-21000-03-R-8	B-21000-23-L-8	298
		2102/C self-locking	65	B-21020-02-L-8	B-21020-02-R-8	B-21020-22-L-8	302
			80	B-21020-03-L-8	B-21020-03-R-8	B-21020-23-L-8	302
No.	Product	Backset	Faceplate 20 mm		Faceplate 24 mm	See page	
2	1795	65, 80, 100	B 1795 0007		B 1795 0005	378	
No.	Product					See page	
3	9006	55-100	Rod length	1385 mm	B 9006 0022	402	
				1500 mm	B 9006 0013	402	

Frame							
Striker							
No.	Product				See page		
4	Angled striker		Non-handed		B 9000 0248	390	
	Flat striker		Non-handed		Series 23	B-90000-05-0-8	392
					Series 21	B-90000-01-0-8	393
	Lipped striker		DIN LH		Series 23	B-90000-61-L-8	394
						DIN RH	
			DIN LH		Series 21	B-90000-55-L-8	394
						DIN RH	
Lipped striker for lock 1795		Non-handed		B 9000 0567	391		

Combination PEO 400

Panic function, single-leaf, top-locking feature



Inside



Outside

Active leaf: lever set with rosettes

Order number*

B-72000-□□-0-□

□	Cylinder hole-type	□	Lever handle model	□	Finish
0	PC	0	RONDO H1.0	1	Silver/EV1 look
2	CH-RC	4	BELCANTO-PANIK H3.0	3	PVD brass
		6	OFFICE H4.0	7	Traffic white (RAL 9016)
		7	LEGATO H5.0	8	Satin stainless steel
		8	TREMOLO H6.0		
		9	DIRIGENT H7.0		

Active leaf: lever set with short backplates

Order number*

B-72010-□□-0-□

Active leaf: lever set with long backplates

Order number*

B-72020-□□-0-□

□	Cylinder hole-type – backplate design	□	Lever handle model	□	Finish
0	PC 72 mm – round	0	RONDO H1.0	1	Silver/EV1 look
1	PC 72 mm – square	4	BELCANTO-PANIK H3.0	3	PVD brass
2	CH-RC 74 mm – round	6	OFFICE H4.0	7	Traffic white (RAL 9016)
3	CH-RC 74 mm – square	7	LEGATO H5.0	8	Satin stainless steel
		8	TREMOLO H6.0		
		9	DIRIGENT H7.0		

Accessories: spindles and screws see from page 446.

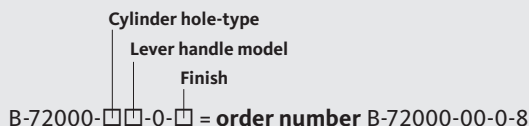
*Ordering example

Active leaf: lever set with rosettes = B-72000-□□-0-□

Cylinder hole-type – PC = 0 [refer to table]

Lever handle model RONDO H1.0 = 0 [refer to table]

Finish 8 = satin stainless steel [refer to table]



Combination PEO 400

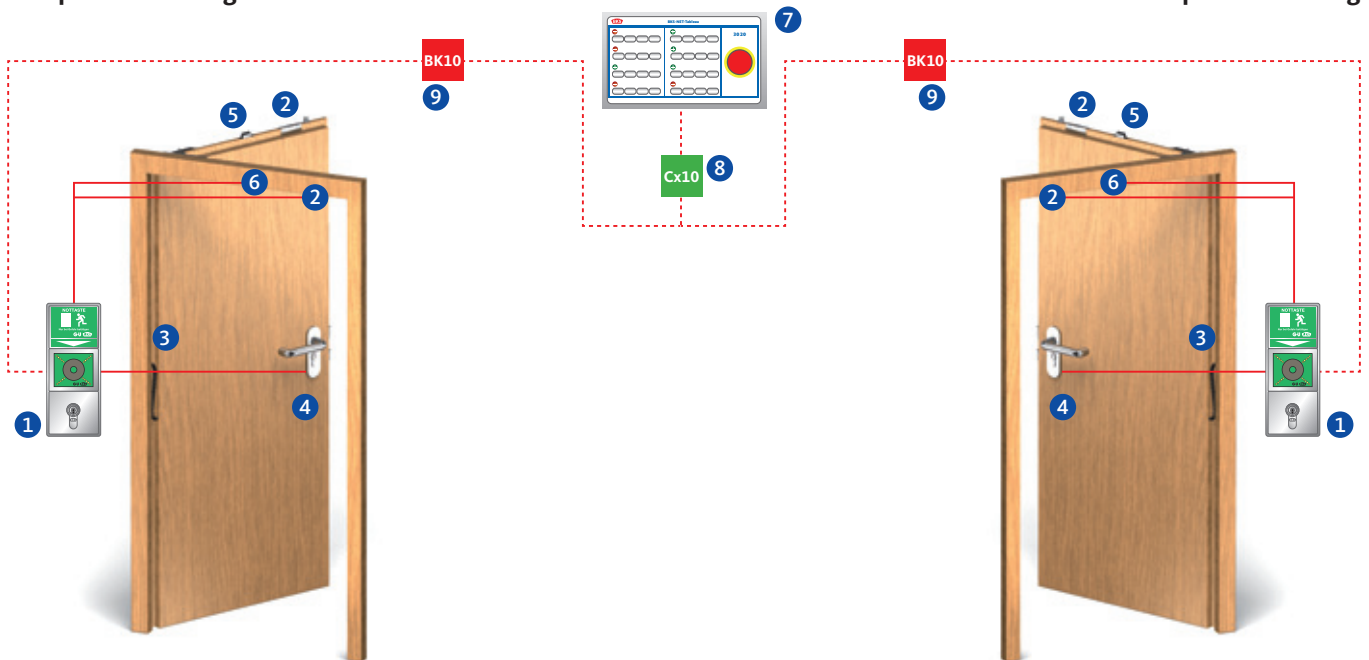
Panic function, single-leaf, top-locking feature



Escape door locking

Centralised control and visualisation

Escape door locking



Monitoring contacts

Product	Cylinder cam monitoring	Latch monitoring	Deadbolt monitoring	Follower monitoring	Exterior lever handle electrically coupled	Combinable with electric strike
2330 / 2332 / 2334	■	■	■	■	–	■
2100	■	■	–	■	–	–
2102	■	■	–	■	–	–

Escape door locking

No.	Product	Description	See page
1	B 5580 09xx	Escape door terminal set with integral power supply unit	452
2	B 5469 0010	Door contact	463
3	6-xxxx-xx-x-x	Cable link	416
4	B 5490 xxxx	Connecting cable	419
5	B 5495 0010	Latch lock	414
6	B 5465 xxxx	Electric escape door strike	414

Centralised control and visualisation

No.	Product	Description	See page
7	B 5580 0611	BKS-NET tablet with pre-installed software, licence included, for max. 8 doors (without collective display)	464
8	B 5580 0421	CU10 building bus coupler (USB interface)	469
9	B 5580 0411	BK10 in-wall bus coupler (without frame/cover)	469

Door closers

For detailed order information please refer to our door closer order catalogue.

Combination PES 100

Panic function, single-leaf, SECURY



Inside



Outside

Functional description

Inside

The door can be opened by the lever handle at any time (panic function).

With a SECURY lock, the door is automatically locked without having to use the key.

- Panic function B
- Panic function C

Outside

The door leaf is opened using the key and lever handle.

With a SECURY lock, the door is automatically locked without having to use the key.

Possible applications

- Emergency exits to EN 179 in areas not accessible to the public
- Suitable for fire and smoke protection doors
- As the lever handle is on the outside, the door can be used as a connecting door from both sides depending on the particular panic function
- Suitable for very high entrance doors with a tendency to warp (only by agreement with the door fabricator and in compliance with approvals)
- Automatic multi-point locking
- Enhanced burglar protection and gasket pressure thanks to the additional locking
- Especially suited in combination with an electric A-opener for use with intercoms on entrance doors (remote opening) and automatic swing door drives (barrier-free)
- Optional combination with electric access control and/or escape door security components (see the following pages)

Recommendation

- Hallway doors in office buildings
- Homes for the elderly
- Secondary entrance doors
- Secondary entrance doors in kindergartens, schools and hotels

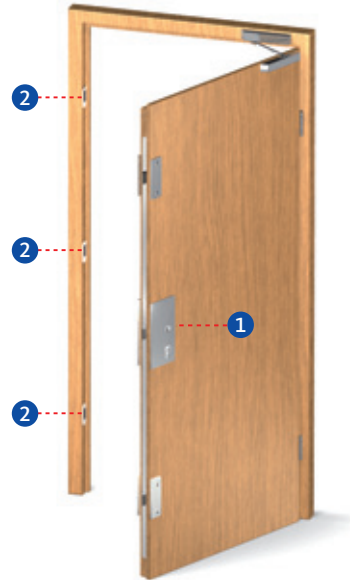
Combination PES 100

Panic function, single-leaf, SECURY



Active leaf:

- 1 = SECURY panic lock
- 2 = Striker



Active leaf							
No.	Product/ Panic function	Backset	20 mm faceplate for rebated doors		24 mm faceplate for flush doors		Additional PC/CH-RC versions see page
			DIN LH	DIN RH	DIN LH	DIN RH	
1	SECURY 2110/B	55	6-38725-03-L-8	6-38725-03-R-8	6-38725-06-L-8	6-38725-06-R-8	354
		65	6-38725-01-L-8	6-38725-01-R-8	6-38725-07-L-8	6-38725-07-R-8	354
		80	6-38725-04-L-8	6-38725-04-R-8	6-38725-08-L-8	6-38725-08-R-8	354
	SECURY 2112/C	55	6-39008-02-L-8	6-39008-02-R-8	6-39008-05-L-8	6-39008-05-R-8	358
		65	6-39008-03-L-8	6-39008-03-R-8	6-39008-06-L-8	6-39008-06-R-8	358
		80	6-39008-04-L-8	6-39008-04-R-8	6-39008-07-L-8	6-39008-07-R-8	358
	SECURY 2170/C electrically coupled	55	6-39014-02-L-8	6-39014-02-R-8	6-39014-04-L-8	6-39014-04-R-8	370
		65	6-39014-03-L-8	6-39014-03-R-8	6-39014-05-L-8	6-39014-05-R-8	370
		80	6-39014-01-L-8	6-39014-01-R-8	-	-	370

Frame				
Striker				
No.	Product			See page
2	Angled striker	Non-handed	9-38551-xx-x-x	401
	Adjustable striker	Non-handed	6-31985-xx-x-x	400

Combination PES 100

Panic function, single-leaf, SECURY



Inside



Outside

Active leaf: lever set with rosettes

Order number*

B-72000-□□-0-□

□	Cylinder hole-type	□	Lever handle model	□	Finish
0	PC	0	RONDO H1.0	1	Silver/EV1 look
2	CH-RC	4	BELCANTO-PANIK H3.0	3	PVD brass
		6	OFFICE H4.0	7	Traffic white (RAL 9016)
		7	LEGATO H5.0	8	Satin stainless steel
		8	TREMOLO H6.0		
		9	DIRIGENT H7.0		

Active leaf: lever set with short backplates

Order number*

B-72010-□□-0-□

Active leaf: lever set with long backplates

Order number*

B-72020-□□-0-□

□	Cylinder hole-type – backplate design	□	Lever handle model	□	Finish
0	PC 72 mm – round	0	RONDO H1.0	1	Silver/EV1 look
1	PC 72 mm – square	4	BELCANTO-PANIK H3.0	3	PVD brass
2	CH-RC 74 mm – round	6	OFFICE H4.0	7	Traffic white (RAL 9016)
3	CH-RC 74 mm – square	7	LEGATO H5.0	8	Satin stainless steel
		8	TREMOLO H6.0		
		9	DIRIGENT H7.0		

Accessories: spindles and screws see from page 446.

*Ordering example

Active leaf: lever set with rosettes = B-72000-□□-0-□

Cylinder hole-type – PC = 0 [refer to table]

Lever handle model RONDO H1.0 = 0 [refer to table]

Finish 8 = satin stainless steel [refer to table]

Cylinder hole-type
Lever handle model
Finish
B-72000-□□-0-□ = order number B-72000-00-0-8

Combination PES 100

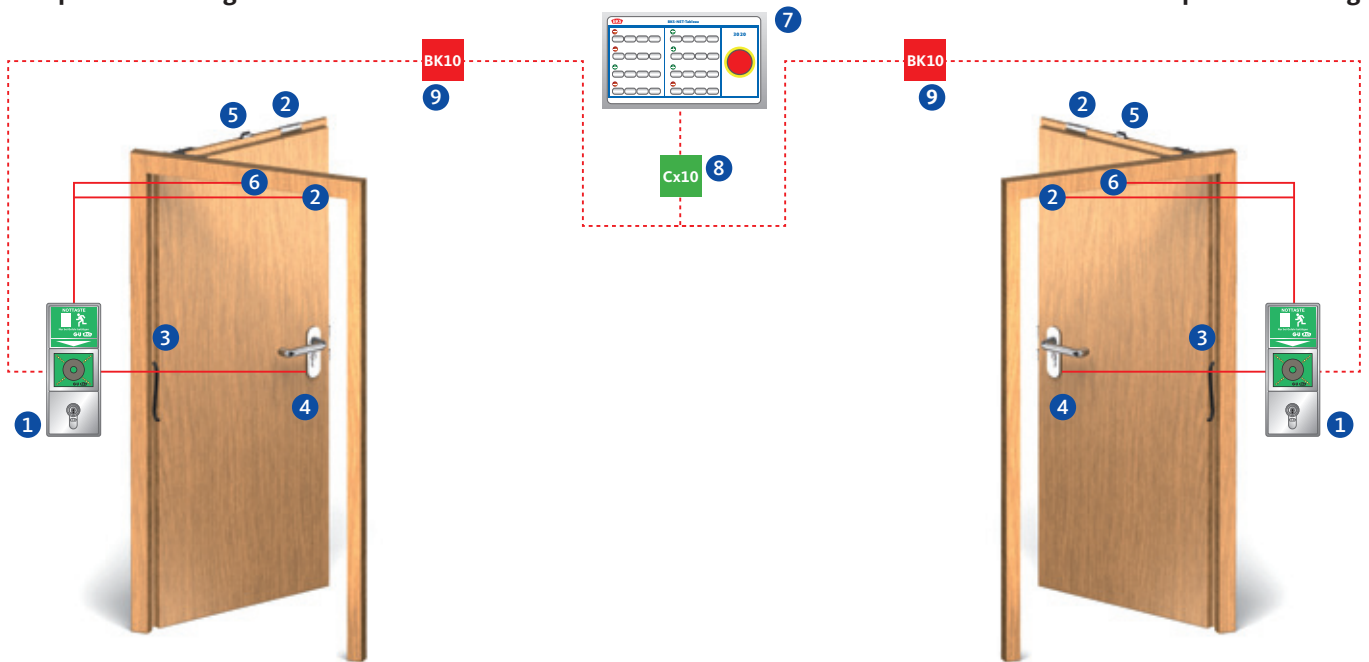
Panic function, single-leaf, SECURY



Escape door locking

Centralised control and visualisation

Escape door locking



Monitoring contacts

Product	Cylinder cam monitoring	Latch monitoring	Deadbolt monitoring	Follower monitoring	Exterior lever handle electrically coupled	Combinable with electric strike	With A-opener (motor)
6-3xxxx-xx-x	-	-	■	-	-	-	■

Escape door locking

No.	Product	Description	See page
1	B 5580 09xx	Escape door terminal set with integral power supply unit	452
2	B 5469 0010	Door contact	463
3	6-xxxxx-xx-x-x	Cable link	416
4	B 5490 xxxx	Connecting cable	419
5	B 5495 0010	Latch lock	414
6	B 5465 xxxx	Electric escape door strike	414

Centralised control and visualisation

No.	Product	Description	See page
7	B 5580 0611	BKS-NET tablet with pre-installed software, licence included, for max. 8 doors (without collective display)	464
8	B 5580 0421	CU10 building bus coupler (USB interface)	469
9	B 5580 0411	BK10 in-wall bus coupler (without frame/cover)	469

Door closers

For detailed order information please refer to our door closer order catalogue.

Combination PE 120

Panic function, single-leaf



Inside



Outside

Functional description

Inside

The door can be opened by the lever handle at any time (panic function).

With series 23, the door is locked with the key.

With series 21, the door locks automatically without a key.

– Panic function E

Outside

The door can only be unlocked with the key.

With series 23, the door is locked with the key.

With series 21, the door locks automatically without a key.

Possible applications

- Emergency exits to EN 179 in areas not accessible to the public
- Suitable for fire and smoke protection doors
- As the fixed knob or push/pull handle is on the outside, access from the outside is only possible using the key.
- Optional combination with electric access control and/or escape door security components (see the following pages)

Recommendation

- Doors on transformer stations and boiler rooms
- Lift
- Underground car parks
- Entrance doors for warehouses and office buildings
- Entrance to tenements and multi-family houses

Combination PE 120

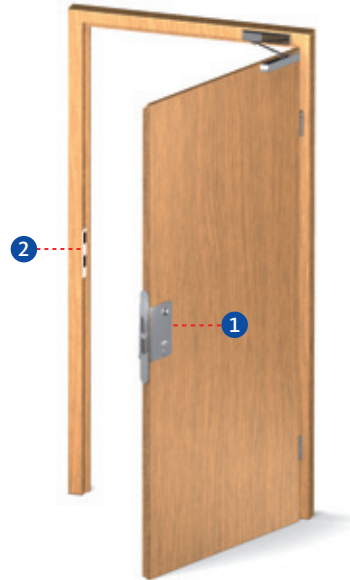
Panic function, single-leaf



Active leaf:

1 = Panic lock

2 = Striker



Active leaf						
No.	Product/ Panic function	Backset	20 mm faceplate for rebated doors		24 mm faceplate for flush doors Non-handed	Additional versions see page
			DIN LH	DIN RH		
1	1125/E	65	-	-	B-11250-01-U-2	224
	Product/ Panic function	Backset	20 mm faceplate for rebated doors		24 mm faceplate for flush doors Non-handed	Additional versions see page
	2326/E	55	B-23260-00-L-8	B-23260-00-R-8	B-23260-25-L-8	240
		65	B-23260-02-L-8	B-23260-02-R-8	B-23260-27-L-8	240
		80	B-23260-03-L-8	B-23260-03-R-8	B-23260-28-L-8	240
	Product/ Panic function	Backset	20 mm faceplate for rebated doors		24 mm faceplate for flush doors Non-handed	Additional PC/CH-RC versions see page
	2116/E self-locking	65	B-21160-02-L-8	B-21160-02-R-8	B-21160-42-L-8	318
		80	B-21160-03-L-8	B-21160-03-R-8	B-21160-43-L-8	318
	2116/E with key-controlled latch holdback	65	B-21160-07-L-8	B-21160-07-R-8	B-21160-47-L-8	318
		80	B-21160-08-L-8	B-21160-08-R-8	B-21160-48-L-8	318

Frame					
Striker					
No.	Product				See page
2	Angled striker	Non-handed		B 9000 0248	390
	Flat striker	Non-handed	Series 23	B-90000-05-0-8	392
			Series 21	B-90000-01-0-8	393
	Lipped striker	DIN LH	Series 23	B-90000-61-L-8	394
				B-90000-61-R-8	
		DIN RH	Series 21	B-90000-55-L-8	394
				B-90000-55-R-8	

Combination PE 120

Panic function, single-leaf



Inside



Outside

Active leaf: entrance set with rosettes

Order number*		Knob			
B-72200-□□-0-□		Round knob K1.0			
B-72400-□□-0-□		Ball knob K2.0			
□	Cylinder hole-type	□	Lever handle model	□	Finish
0	PC	0	RONDO H1.0	1	Silver/EV1 look
2	CH-RC	4	BELCANTO-PANIK H3.0	3	PVD brass
		6	OFFICE H4.0	7	Traffic white (RAL 9016)
		7	LEGATO H5.0	8	Satin stainless steel
		8	TREMOLO H6.0		
		9	DIRIGENT H7.0		

Active leaf: entrance set with short backplates

Order number*		Knob	
B-72210-□□-0-□		Round knob K1.0	
B-72410-□□-0-□		Ball knob K2.0	

Active leaf: entrance set with long backplates

Order number*		Knob			
B-72220-□□-0-□		Round knob K1.0			
B-72420-□□-0-□		Ball knob K2.0			
□	Cylinder hole-type – backplate design	□	Lever handle model	□	Finish
0	PC 72 mm – round	0	RONDO H1.0	1	Silver/EV1 look
1	PC 72 mm – square	4	BELCANTO-PANIK H3.0	3	PVD brass
2	CH-RC 74 mm – round	6	OFFICE H4.0	7	Traffic white (RAL 9016)
3	CH-RC 74 mm – square	7	LEGATO H5.0	8	Satin stainless steel
		8	TREMOLO H6.0		
		9	DIRIGENT H7.0		

Accessories: spindles and screws see from page 446.

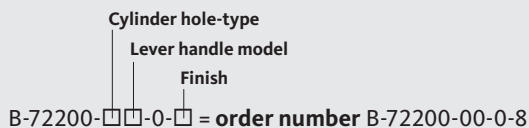
*Ordering example

Active leaf: entrance set with rosettes = B-72200-□□-0-□

Cylinder hole-type – PC = 0 [refer to table]

Lever handle model RONDO H1.0 = 0 [refer to table]

Finish 8 = satin stainless steel [refer to table]



Combination PE 120

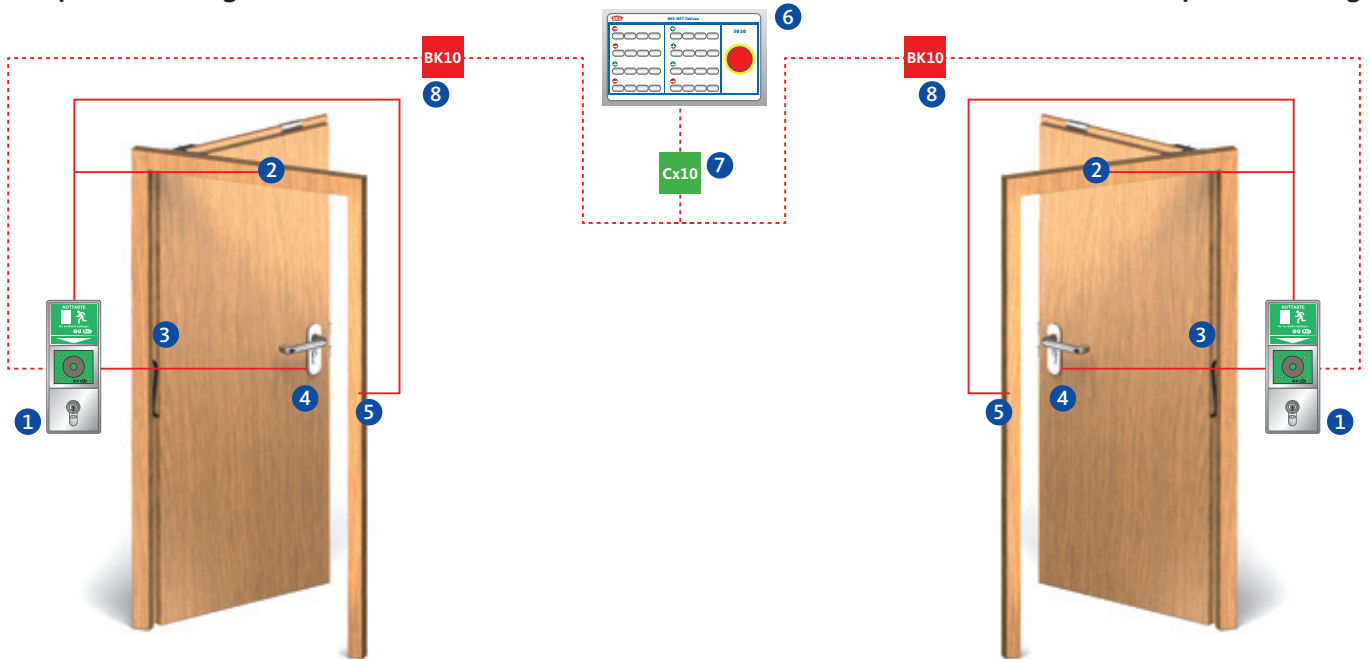
Panic function, single-leaf



Escape door locking

Centralised control and visualisation

Escape door locking



Monitoring contacts

Product	Cylinder cam monitoring	Latch monitoring	Deadbolt monitoring	Follower monitoring	Exterior lever handle electrically coupled	Combinable with electric strike
2326	■	■	■	■	-	■
2116	■	■	-	■	-	-
2126 EVP	■	-	-	-	-	-

Escape door locking

No.	Product	Description	See page
1	B 5580 09xx	Escape door terminal set with integral power supply unit	452
2	B 5469 0010	Door contact	463
3	6-xxxxx-xx-x-x	Cable link	416
4	B 5490 xxxx	Connecting cable	419
5	B 5465 040x	Electric escape door strike	414

Centralised control and visualisation

No.	Product	Description	See page
6	B 5580 0611	BKS-NET tablet with pre-installed software, licence included, for max. 8 doors (without collective display)	464
7	B 5580 0421	CU10 building bus coupler (USB interface)	469
8	B 5580 0411	BK10 in-wall bus coupler (without frame/cover)	469

Door closers

For detailed order information please refer to our door closer order catalogue.

Combination PE 210

Panic function, single-leaf



Inside



Outside

Functional description

Inside

The door can be opened by the lever handle at any time (panic function). Locking is done by key.

– Panic function P

Outside

The door can only be unlocked with the key. Locking is done by key.

Possible applications

- Emergency exits to EN 179 in areas not accessible to the public
- As the fixed knob or push/pull handle is on the outside, access from the outside is only possible using the key.
- Optional combination with electric access control and/or escape door security components (see the following pages)

Recommendation

- Doors on transformer stations and boiler rooms
- Lift
- Underground car parks
- Entrance doors for warehouses and office buildings
- Entrance to tenements and multi-family houses

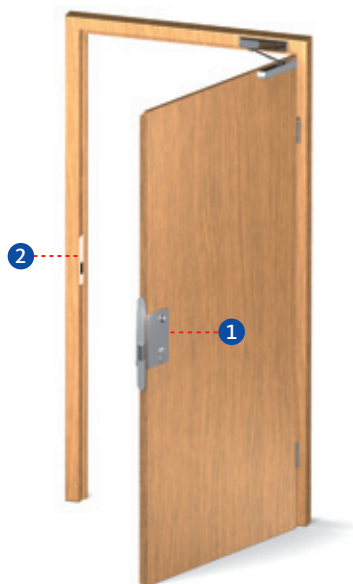
Combination PE 210

Panic function, single-leaf



Active leaf:

- ① = Panic lock
- ② = Striker



Active leaf						
No.	Product/ Panic function	Backset	20 mm faceplate for rebated doors		24 mm faceplate for flush doors	Additional PC/CH-RC versions see page
			DIN LH	DIN RH	Non-handed	
1	2348/P	65	B-23480-02-L-8	B-23480-02-R-8	B-23480-22-0-8	270
		80	B-23480-03-L-8	B-23480-03-R-8	B-23480-23-0-8	270
		100	B-23480-04-L-8	B-23480-04-R-8	B-23480-24-0-8	270

Frame				
Striker				
No.	Product			See page
2	Flat striker	Non-handed	B-90000-03-0-8	393

Combination PE 210

Panic function, single-leaf



Inside



Outside

Active leaf: entrance set with rosettes

Order number*		Knob			
B-72200-□□-0-□		Round knob K1.0			
B-72400-□□-0-□		Ball knob K2.0			
□	Cylinder hole-type	□	Lever handle model	□	Finish
0	PC	0	RONDO H1.0	1	Silver/EV1 look
2	CH-RC	4	BELCANTO-PANIK H3.0	3	PVD brass
		6	OFFICE H4.0	7	Traffic white (RAL 9016)
		7	LEGATO H5.0	8	Satin stainless steel
		8	TREMOLO H6.0		
		9	DIRIGENT H7.0		

Active leaf: entrance set with short backplates

Order number*		Knob	
B-72210-□□-0-□		Round knob K1.0	
B-72410-□□-0-□		Ball knob K2.0	

Active leaf: entrance set with long backplates

Order number*		Knob			
B-72220-□□-0-□		Round knob K1.0			
B-72420-□□-0-□		Ball knob K2.0			
□	Cylinder hole-type – backplate design	□	Lever handle model	□	Finish
0	PC 72 mm – round	0	RONDO H1.0	1	Silver/EV1 look
1	PC 72 mm – square	4	BELCANTO-PANIK H3.0	3	PVD brass
2	CH-RC 74 mm – round	6	OFFICE H4.0	7	Traffic white (RAL 9016)
3	CH-RC 74 mm – square	7	LEGATO H5.0	8	Satin stainless steel
		8	TREMOLO H6.0		
		9	DIRIGENT H7.0		

Accessories: spindles and screws see from page 446.

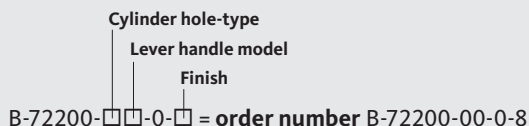
*Ordering example

Active leaf: entrance set with rosettes = B-72200-□□-0-□

Cylinder hole-type – PC = 0 [refer to table]

Lever handle model RONDO H1.0 = 0 [refer to table]

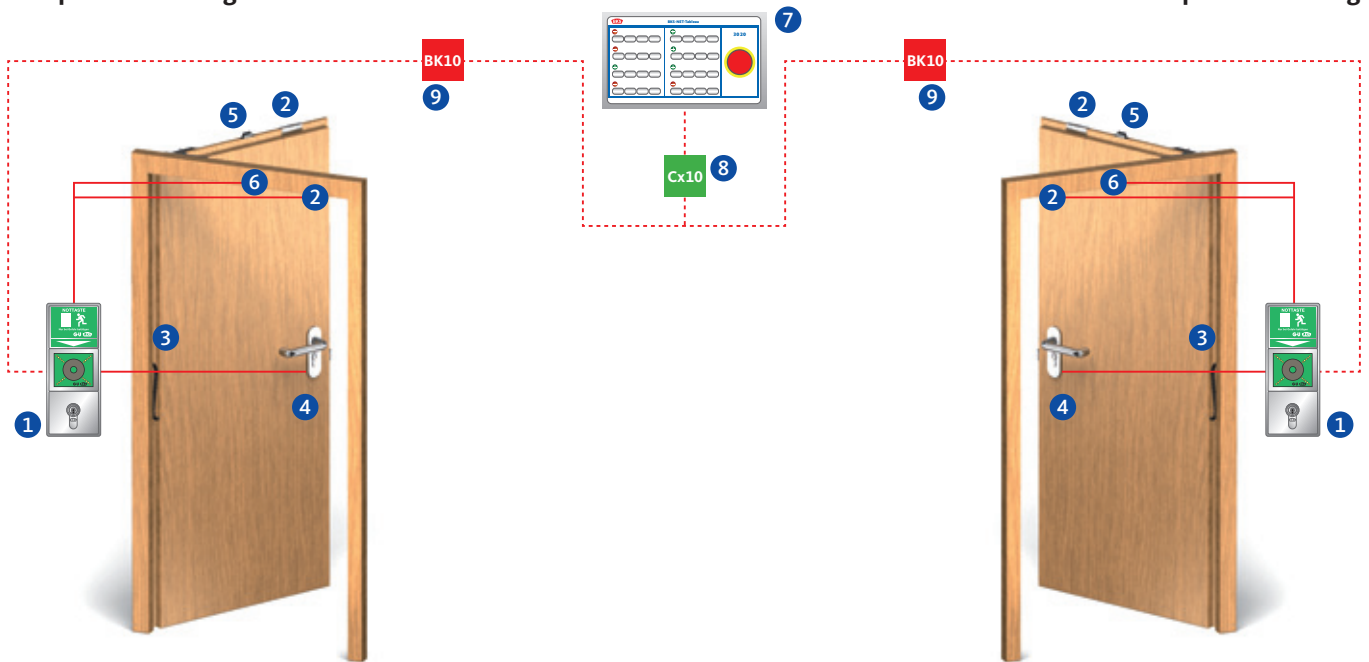
Finish 8 = satin stainless steel [refer to table]



Escape door locking

Centralised control and visualisation

Escape door locking



Monitoring contacts

Product	Cylinder cam monitoring	Latch monitoring	Deadbolt monitoring	Follower monitoring	Exterior lever handle electrically coupled	Combinable with electric strike
2348	■	-	■	■	-	-

Escape door locking

No.	Product	Description	See page
1	B 5580 09xx	Escape door terminal set with integral power supply unit	452
2	B 5469 0010	Door contact	463
3	6-xxxx-xx-x-x	Cable link	416
4	B 5490 xxxx	Connecting cable	419
5	B 5495 0010	Latch lock	414
6	B 5465 xxxx	Electric escape door strike	414

Centralised control and visualisation

No.	Product	Description	See page
7	B 5580 0611	BKS-NET tablet with pre-installed software, licence included, for max. 8 doors (without collective display)	464
8	B 5580 0421	CU10 building bus coupler (USB interface)	469
9	B 5580 0411	BK10 in-wall bus coupler (without frame/cover)	469

Door closers

For detailed order information please refer to our door closer order catalogue.

Combination PEO 420

Panic function, single-leaf, top-locking feature



Inside



Outside

Functional description

Inside

The door can be opened by the lever handle at any time (panic function).

With series 23, the door is locked with the key.

With series 21, the door locks automatically without a key.
– Panic function E

Outside

The door can only be unlocked with the key.

With series 23, the door is locked with the key.

With series 21, the door locks automatically without a key.

Possible applications

- Emergency exits to EN 179 in areas not accessible to the public
- Suitable for fire and smoke protection doors
- As the fixed knob or push/pull handle is on the outside, access from the outside is only possible using the key
- Suitable for very high entrance doors with a tendency to warp (only by agreement with the door fabricator and in compliance with approvals)
- Enhanced burglar protection and gasket pressure thanks to the additional top-locking feature
- Optional combination with electric access control and/or escape door security components (see the following pages)

Recommendation

- Doors on transformer stations and boiler rooms
- Lift
- Underground car parks
- Entrance doors for warehouses and office buildings
- Entrance to tenements and multi-family houses

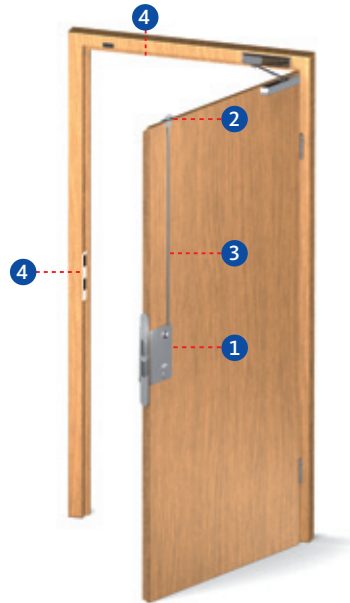
Combination PEO 420

Panic function, single-leaf, top-locking feature



Active leaf:

- 1 = Panic lock with top-locking feature
- 2 = Spring-operated top latch
- 3 = Vertical rod
- 4 = Striker



Active leaf						
No.	Product/ Panic function	Backset	20 mm faceplate for rebated doors		24 mm faceplate for flush doors	Additional PC/CH-RC versions see page
			DIN LH	DIN RH	Non-handed	
1	2336/E	55	B-23360-00-L-8	B-23360-00-R-8	B-23360-25-L-8	258
		65	B-23360-02-L-8	B-23360-02-R-8	B-23360-27-L-8	258
		80	B-23360-03-L-8	B-23360-03-R-8	B-23360-28-L-8	258
	2106/E self-locking	Backset	20 mm faceplate for rebated doors		24 mm faceplate for flush doors	Additional PC/CH-RC versions see page
			DIN LH	DIN RH	Non-handed	
			65	B-21060-02-L-8	B-21060-02-R-8	
		80	B-21060-03-L-8	B-21060-03-R-8	B-21060-43-L-8	306
No.	Product	Backset	Faceplate 20 mm		Faceplate 24 mm	See page
2	1795	65, 80, 100	B 1795 0007		B 1795 0005	378
No.	Product					See page
3	9006	55-100	Rod length	1385 mm	B 9006 0022	402
				1500 mm	B 9006 0013	402

Frame						
Striker						
No.	Product					See page
4	Angled striker	Non-handed			B 9000 0248	390
	Flat striker	Non-handed	Series 23		B-90000-05-0-8	392
			Series 21		B-90000-01-0-8	393
	Lipped striker		DIN LH	Series 23	B-90000-61-L-8	394
			DIN RH		B-90000-61-R-8	
			DIN LH	Series 21	B-90000-55-L-8	394
			DIN RH		B-90000-55-R-8	
	Lipped striker for lock 1795	Non-handed			B 9000 0567	391

Combination PEO 420

Panic function, single-leaf, top-locking feature



Inside



Outside

Active leaf: entrance set with rosettes

Order number*		Knob			
B-72200-□□-0-□		Round knob K1.0			
B-72400-□□-0-□		Ball knob K2.0			
□	Cylinder hole-type	□	Lever handle model	□	Finish
0	PC	0	RONDO H1.0	1	Silver/EV1 look
2	CH-RC	4	BELCANTO-PANIK H3.0	3	PVD brass
		6	OFFICE H4.0	7	Traffic white (RAL 9016)
		7	LEGATO H5.0	8	Satin stainless steel
		8	TREMOLO H6.0		
		9	DIRIGENT H7.0		

Active leaf: entrance set with short backplates

Order number*		Knob	
B-72210-□□-0-□		Round knob K1.0	
B-72410-□□-0-□		Ball knob K2.0	

Active leaf: entrance set with long backplates

Order number*		Knob			
B-72220-□□-0-□		Round knob K1.0			
B-72420-□□-0-□		Ball knob K2.0			
□	Cylinder hole-type – backplate design	□	Lever handle model	□	Finish
0	PC 72 mm – round	0	RONDO H1.0	1	Silver/EV1 look
1	PC 72 mm – square	4	BELCANTO-PANIK H3.0	3	PVD brass
2	CH-RC 74 mm – round	6	OFFICE H4.0	7	Traffic white (RAL 9016)
3	CH-RC 74 mm – square	7	LEGATO H5.0	8	Satin stainless steel
		8	TREMOLO H6.0		
		9	DIRIGENT H7.0		

Accessories: spindles and screws see from page 446.

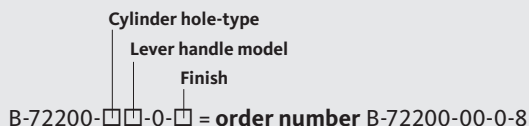
*Ordering example

Active leaf: entrance set with rosettes = B-72200-□□-0-□

Cylinder hole-type – PC = 0 [refer to table]

Lever handle model RONDO H1.0 = 0 [refer to table]

Finish 8 = satin stainless steel [refer to table]



Combination PEO 420

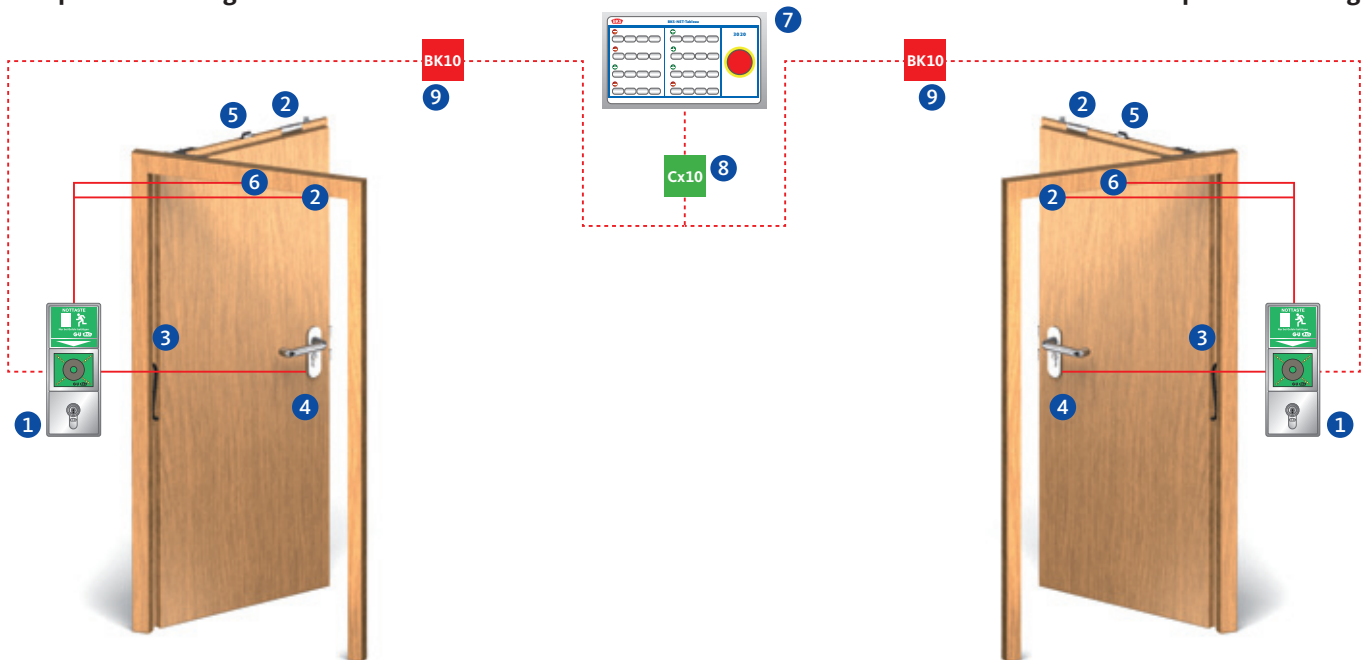
Panic function, single-leaf, top-locking feature



Escape door locking

Centralised control and visualisation

Escape door locking



Monitoring contacts

Product	Cylinder cam monitoring	Latch monitoring	Deadbolt monitoring	Follower monitoring	Exterior lever handle electrically coupled	Combinable with electric strike
2336	■	■	■	■	–	■
2106	■	■	–	■	–	–

Escape door locking

No.	Product	Description	See page
1	B 5580 09xx	Escape door terminal set with integral power supply unit	452
2	B 5469 0010	Door contact	463
3	6-xxxx-xx-x-x	Cable link	416
4	B 5490 xxxx	Connecting cable	419
5	B 5495 0010	Latch lock	414
6	B 5465 xxxx	Electric escape door strike	414

Centralised control and visualisation

No.	Product	Description	See page
7	B 5580 0611	BKS-NET tablet with pre-installed software, licence included, for max. 8 doors (without collective display)	464
8	B 5580 0421	CU10 building bus coupler (USB interface)	469
9	B 5580 0411	BK10 in-wall bus coupler (without frame/cover)	469

Door closers

For detailed order information please refer to our door closer order catalogue.

Combination PES 120

Panic function, single-leaf, SECURITY



Inside



Outside

Functional description

Inside

The door can be opened by the lever handle at any time (panic function).

With a SECURITY lock, the door is automatically locked without having to use the key.

– Panic function E

Outside

The door can only be unlocked with the key.

Locking is effected automatically.

Possible applications

- Emergency exits to EN 179 in areas not accessible to the public
- Suitable for fire and smoke protection doors
- As the fixed knob or push/pull handle is on the outside, access from the outside is only possible using the key
- Suitable for very high entrance doors with a tendency to warp (only by agreement with the door fabricator and in compliance with approvals)
- Automatic multi-point locking
- Enhanced burglar protection and gasket pressure thanks to the additional locking
- Especially suited in combination with an electric A-opener for use with intercoms on entrance doors (remote opening) and automatic swing door drives (barrier-free)
- Optional combination with electric access control and/or escape door security components (see the following pages)

Recommendation

- Doors on transformer stations and boiler rooms
- Lift
- Underground car parks
- Entrance doors for warehouses and office buildings
- Entrance to tenements and multi-family houses

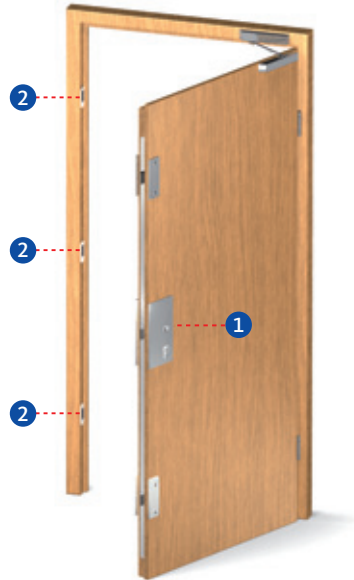
Combination PES 120

Panic function, single-leaf, SECURY



Active leaf:

- 1 = SECURY panic lock
- 2 = Striker



Active leaf							
No.	Product/ Panic function	Backset	20 mm faceplate for rebated doors		24 mm faceplate for flush doors		Additional PC/CH-RC versions see page
			DIN LH	DIN RH	DIN LH	DIN RH	
1	SECURY 2116/E	55	6-38724-03-L-8	6-38724-03-R-8	6-38724-06-L-8	6-38724-06-R-8	362
		65	6-38724-01-L-8	6-38724-01-R-8	6-38724-07-L-8	6-38724-07-R-8	362
		80	6-38724-04-L-8	6-38724-04-R-8	6-38724-08-L-8	6-38724-08-R-8	362

Frame					
Striker					
No.	Product			See page	
2	Angled striker	Non-handed		9-38551-xx-x-x	401
	Adjustable striker	Non-handed		6-31985-xx-x-x	400

Combination PES 120

Panic function, single-leaf, SECURY



Inside



Outside

Active leaf: entrance set with rosettes

Order number*		Knob			
B-72200-□□-0-□		Round knob K1.0			
B-72400-□□-0-□		Ball knob K2.0			
□	Cylinder hole-type	□	Lever handle model	□	Finish
0	PC	0	RONDO H1.0	1	Silver/EV1 look
2	CH-RC	4	BELCANTO-PANIK H3.0	3	PVD brass
		6	OFFICE H4.0	7	Traffic white (RAL 9016)
		7	LEGATO H5.0	8	Satin stainless steel
		8	TREMOLO H6.0		
		9	DIRIGENT H7.0		

Active leaf: entrance set with short backplates

Order number*		Knob	
B-72210-□□-0-□		Round knob K1.0	
B-72410-□□-0-□		Ball knob K2.0	

Active leaf: entrance set with long backplates

Order number*		Knob			
B-72220-□□-0-□		Round knob K1.0			
B-72420-□□-0-□		Ball knob K2.0			
□	Cylinder hole-type – backplate design	□	Lever handle model	□	Finish
0	PC 72 mm – round	0	RONDO H1.0	1	Silver/EV1 look
1	PC 72 mm – square	4	BELCANTO-PANIK H3.0	3	PVD brass
2	CH-RC 74 mm – round	6	OFFICE H4.0	7	Traffic white (RAL 9016)
3	CH-RC 74 mm – square	7	LEGATO H5.0	8	Satin stainless steel
		8	TREMOLO H6.0		
		9	DIRIGENT H7.0		

Accessories: spindles and screws see from page 446.

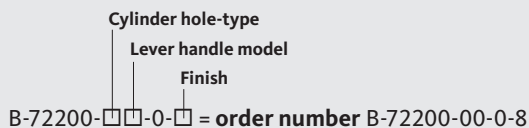
*Ordering example

Active leaf: entrance set with rosettes = B-72200-□□-0-□

Cylinder hole-type – PC = 0 [refer to table]

Lever handle model RONDO H1.0 = 0 [refer to table]

Finish 8 = satin stainless steel [refer to table]



Combination PES 120

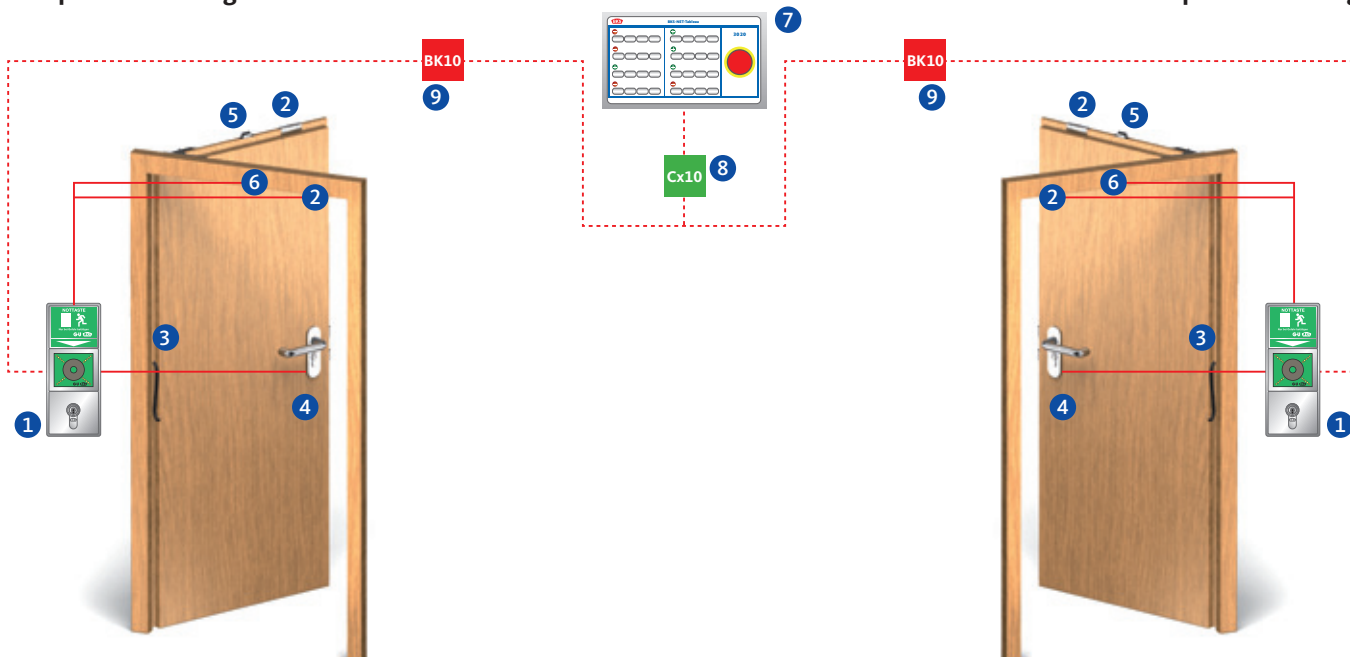
Panic function, single-leaf, SECURITY



Escape door locking

Centralised control and visualisation

Escape door locking



Monitoring contacts

Product	Cylinder cam monitoring	Latch monitoring	Deadbolt monitoring	Follower monitoring	Exterior lever handle electrically coupled	Combinable with electric strike	With A-opener (motor)
6-38724-xx-x	-	-	■	-	-	-	■

Escape door locking

No.	Product	Description	See page
1	B 5580 09xx	Escape door terminal set with integral power supply unit	452
2	B 5469 0010	Door contact	463
3	6-xxxxx-xx-x-x	Cable link	416
4	B 5490 xxxx	Connecting cable	419
5	B 5495 0010	Latch lock	414
6	B 5465 xxxx	Electric escape door strike	414

Centralised control and visualisation

No.	Product	Description	See page
7	B 5580 0611	BKS-NET tablet with pre-installed software, licence included, for max. 8 doors (without collective display)	464
8	B 5580 0421	CU10 building bus coupler (USB interface)	469
9	B 5580 0411	BK10 in-wall bus coupler (without frame/cover)	469

Door closers

For detailed order information please refer to our door closer order catalogue.

Combination PE 105

Panic function, single-leaf



Inside



Outside

Functional description

Inside

The door can be opened by the push bar at any time (panic function).

With series 23, the door is locked with the key.

With series 21, the door locks automatically without a key.

- Panic function B
- Panic function C
- Panic function D (only for series 23)

Outside

The door leaf is opened using the key and lever handle.

With series 23, the door is locked with the key.

With series 21, the door locks automatically without a key.

Possible applications

- Escape doors to EN 1125 in public buildings
- Suitable for fire and smoke protection doors
- As the lever handle is on the outside, the door can be used as a connecting door from both sides depending on the particular panic function
- Optional combination with electric access control and/or escape door security components (see the following pages)

Recommendation

- Administrative and office buildings
- Homes for the elderly and residential homes
- Secondary entrance doors
- Main entrance doors to kindergartens, schools, hotels

Combination PE 105

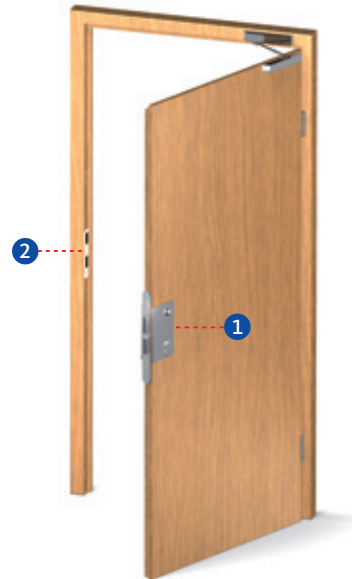
Panic function, single-leaf



Active leaf:

1 = Panic lock

2 = Striker



Active leaf						
No.	Product/ Panic function	Backset	20 mm faceplate for rebated doors		24 mm faceplate for flush doors Non-handed	Additional versions see page
			DIN LH	DIN RH		
1	1125/B	65	–	–	B-11250-02-U-2	224
	Product/ Panic function	Backset	20 mm faceplate for rebated doors		24 mm faceplate for flush doors Non-handed	Additional PC/CH-RC versions see page
	2320/B	65	B-23200-04-L-8	B-23200-04-R-8	B-23200-44-L-8	228
		80	B-23200-06-L-8	B-23200-06-R-8	B-23200-46-L-8	228
	2322/C	65	B-23220-04-L-8	B-23220-04-R-8	B-23220-44-L-8	232
		80	B-23220-06-L-8	B-23220-06-R-8	B-23220-46-L-8	232
	2324/D	65	B-23240-04-L-8	B-23240-04-R-8	B-23240-44-L-8	236
		80	B-23240-06-L-8	B-23240-06-R-8	B-23240-46-L-8	236
	Product/ Panic function	Backset	20 mm faceplate for rebated doors		24 mm faceplate for flush doors Non-handed	Additional PC/CH-RC versions see page
	2110/B self-locking	65	B-21100-02-L-8	B-21100-02-R-8	B-21100-22-L-8	310
		80	B-21100-03-L-8	B-21100-03-R-8	B-21100-23-L-8	310
	2112/C self-locking	65	B-21120-02-L-8	B-21120-02-R-8	B-21120-22-L-8	314
		80	B-21120-03-L-8	B-21120-03-R-8	B-21120-23-L-8	314
	Product/ Panic function	Backset	20 mm faceplate for rebated doors		24 mm faceplate for flush doors Non-handed	Additional PC/CH-RC versions see page
	2170 electrically coupled	65	B-21700-04-L-8	B-21700-04-R-8	B-21700-06-L-8	328
80		B-21700-08-L-8	B-21700-08-R-8	B-21700-10-L-8	328	

Frame					
Striker					
No.	Product			See page	
2	Angled striker	Non-handed		B 9000 0248 390	
	Flat striker	Non-handed	Series 23	B-90000-05-0-8 392	
			Series 21	B-90000-01-0-8 393	
	Lipped striker		DIN LH	Series 23	B-90000-61-L-8 394
			DIN RH		B-90000-61-R-8
			DIN LH	Series 21	B-90000-55-L-8 394
DIN RH			B-90000-55-R-8		

Combination PE 105

Panic function, single-leaf



Inside



Outside

Active leaf: half lever set with rosettes

Order number*

B-72100-□□-0-□

□ Cylinder hole-type	□ Lever handle model	□ Finish
0 PC	0 RONDO H1.0	1 Silver/EV1 look
2 CH-RC	4 BELCANTO-PANIK H3.0	3 PVD brass
	6 OFFICE H4.0	7 Traffic white (RAL 9016)
	7 LEGATO H5.0	8 Satin stainless steel
	8 TREMOLO H6.0	
	9 DIRIGENT H7.0	

Active leaf: half lever set with short backplate and lever handle

Order number*

B-72110-□□-0-□

Active leaf: half lever set with long backplate

Order number*

B-72120-□□-0-□

□ Cylinder hole-type – backplate design	□ Lever handle model	□ Finish
0 PC 72 mm – round	0 RONDO H1.0	1 Silver/EV1 look
1 PC 72 mm – square	4 BELCANTO-PANIK H3.0	3 PVD brass
2 CH-RC 74 mm – round	6 OFFICE H4.0	7 Traffic white (RAL 9016)
3 CH-RC 74 mm – square	7 LEGATO H5.0	8 Satin stainless steel
	8 TREMOLO H6.0	
	9 DIRIGENT H7.0	

Active leaf: panic exit device according to EN 1125

Locking element	Cylinder hole-type	Aluminium F1	Satin stainless steel	See page	
Push bar	PC 72 mm	B-74000-10-0-1N	B-74000-10-0-8	430	
	CH-RC 74 mm	B-74000-20-0-1N	B-74000-20-0-8	430	
Crossbar	Length	Aluminium F1	Satin stainless steel	See page	
	1150 mm	B 7100 4274	B 7100 4204	430	
Locking element	Cylinder hole-type	Length	Aluminium F1 DIN LH DIN RH	Satin stainless steel DIN LH DIN RH	See page
Touch bar	PC 72 mm	1158 mm	B-74430-12-L-1 B-74430-12-R-1	B-74430-12-L-8 B-74430-12-R-8	426

Accessories: spindles and screws see from page 446.

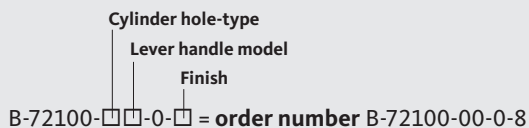
*Ordering example

Active leaf: half lever set with rosettes = B-72100-□□-0-□

Cylinder hole-type – PC = 0 [refer to table]

Lever handle model RONDO H1.0 = 0 [refer to table]

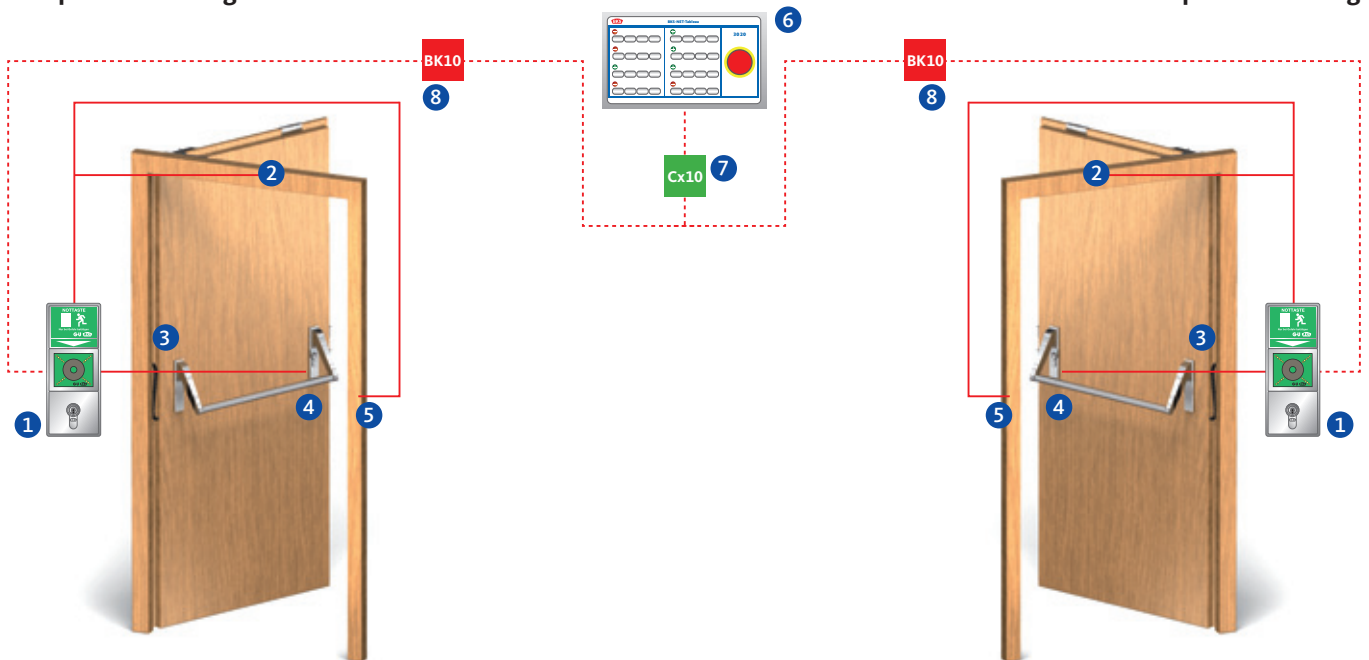
Finish 8 = satin stainless steel [refer to table]



Escape door locking

Centralised control and visualisation

Escape door locking



Monitoring contacts

Product	Cylinder cam monitoring	Latch monitoring	Deadbolt monitoring	Follower monitoring	Exterior lever handle electrically coupled	Combinable with electric strike
2320 / 2322 / 2324	■	■	■	■	–	■
2110	■	■	–	■	–	–
2112	■	■	–	■	–	–
2170	Including	Including	–	Including	■	–
2120 EVP	■	–	–	–	–	–

Escape door locking

No.	Product	Description	See page
1	B 5580 09xx	Escape door terminal set with integral power supply unit	452
2	B 5469 0010	Door contact	463
3	6-xxxx-xx-x-x	Cable link	416
4	B 5490 xxxx	Connecting cable	419
5	B 5465 040x	Electric escape door strike	414

Centralised control and visualisation

No.	Product	Description	See page
6	B 5580 0611	BKS-NET tablet with pre-installed software, licence included, for max. 8 doors (without collective display)	464
7	B 5580 0421	CU10 building bus coupler (USB interface)	469
8	B 5580 0411	BK10 in-wall bus coupler (without frame/cover)	469

Door closers

For detailed order information please refer to our door closer order catalogue.

Combination PEO 405

Panic function, single-leaf, top-locking feature



Inside



Outside

Functional description

Inside

The door can be opened by the push bar at any time (panic function).

With series 23, the door is locked with the key.

With series 21, the door locks automatically without a key.

- Panic function B
- Panic function C
- Panic function D (only for series 23)

Outside

The door leaf is opened using the key and lever handle.

With series 23, the door is locked with the key.

With series 21, the door locks automatically without a key.

Possible applications

- Escape doors to EN 1125 in public buildings
- Suitable for fire and smoke protection doors
- As the lever handle is on the outside, the door can be used as a connecting door from both sides depending on the particular panic function
- Suitable for very high entrance doors with a tendency to warp (only by agreement with the door fabricator and in compliance with approvals)
- Enhanced burglar protection and gasket pressure thanks to the additional top-locking feature
- Optional combination with electric access control and/or escape door security components (see the following pages)

Recommendation

- Administrative and office buildings
- Homes for the elderly and residential homes
- Secondary entrance doors
- Main entrance doors to kindergartens, schools, hotels

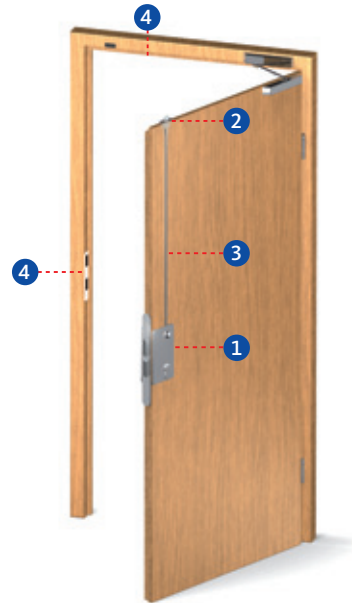
Combination PEO 405

Panic function, single-leaf, top-locking feature



Active leaf:

- ① = Panic lock with top-locking feature
- ② = Spring-operated top latch
- ③ = Vertical rod
- ④ = Striker



Active leaf							
No.	Product/ Panic function	Backset	20 mm faceplate for rebated doors		24 mm faceplate for flush doors	Additional PC/CH-RC versions see page	
			DIN LH	DIN RH	Non-handed		
1	2330/B	65	B-23300-04-L-8	B-23300-04-R-8	B-23300-44-L-8	246	
		80	B-23300-06-L-8	B-23300-06-R-8	B-23300-46-L-8	246	
	2332/C	65	B-23320-04-L-8	B-23320-04-R-8	B-23320-44-L-8	250	
		80	B-23320-06-L-8	B-23320-06-R-8	B-23320-46-L-8	250	
	2334/D	65	B-23340-04-L-8	B-23340-04-R-8	B-23340-44-L-8	254	
		80	B-23340-06-L-8	B-23340-06-R-8	B-23340-46-L-8	254	
	No.	Product/ Panic function	Backset	20 mm faceplate for rebated doors		24 mm faceplate for flush doors	Additional PC/CH-RC versions see page
				DIN LH	DIN RH	Non-handed	
		2100/B self-locking	65	B-21000-02-L-8	B-21000-02-R-8	B-21000-22-L-8	298
			80	B-21000-03-L-8	B-21000-03-R-8	B-21000-23-L-8	298
		2102/C self-locking	65	B-21020-02-L-8	B-21020-02-R-8	B-21020-22-L-8	302
			80	B-21020-03-L-8	B-21020-03-R-8	B-21020-23-L-8	302
No.	Product	Backset	Faceplate 20 mm		Faceplate 24 mm	See page	
2	1795	65, 80, 100	B 1795 0007		B 1795 0005	378	
No.	Product					See page	
3	9006	55-100	Rod length	1385 mm	B 9006 0022	402	
				1500 mm	B 9006 0013	402	

Frame							
Striker							
No.	Product					See page	
4	Angled striker	Non-handed			B 9000 0248	390	
	Flat striker	Non-handed	Series 23		B-90000-05-0-8	392	
			Series 21		B-90000-01-0-8	393	
	Lipped striker		DIN LH	Series 23		B-90000-61-L-8	394
			DIN RH			B-90000-61-R-8	
			DIN LH	Series 21		B-90000-55-L-8	394
			DIN RH			B-90000-55-R-8	
Lipped striker for lock 1795	Non-handed				B 9000 0567	391	

Combination PEO 405

Panic function, single-leaf, top-locking feature



Inside



Outside

Active leaf: half lever set with rosettes

Order number*

B-72100-□□-0-□

□ Cylinder hole-type	□ Lever handle model	□ Finish
0 PC	0 RONDO H1.0	1 Silver/EV1 look
2 CH-RC	4 BELCANTO-PANIK H3.0	3 PVD brass
	6 OFFICE H4.0	7 Traffic white (RAL 9016)
	7 LEGATO H5.0	8 Satin stainless steel
	8 TREMOLO H6.0	
	9 DIRIGENT H7.0	

Active leaf: half lever set with short backplate and lever handle

Order number*

B-72110-□□-0-□

Active leaf: half lever set with long backplate

Order number*

B-72120-□□-0-□

□ Cylinder hole-type – backplate design	□ Lever handle model	□ Finish
0 PC 72 mm – round	0 RONDO H1.0	1 Silver/EV1 look
1 PC 72 mm – square	4 BELCANTO-PANIK H3.0	3 PVD brass
2 CH-RC 74 mm – round	6 OFFICE H4.0	7 Traffic white (RAL 9016)
3 CH-RC 74 mm – square	7 LEGATO H5.0	8 Satin stainless steel
	8 TREMOLO H6.0	- -
	9 DIRIGENT H7.0	- -

Active leaf: panic exit device according to EN 1125

Locking element	Cylinder hole-type	Aluminium F1	Satin stainless steel	See page	
Push bar	PC 72 mm	B-74000-10-0-1N	B-74000-10-0-8	430	
	CH-RC 74 mm	B-74000-20-0-1N	B-74000-20-0-8	430	
Crossbar	Length	Aluminium F1	Satin stainless steel	See page	
	1150 mm	B 7100 4274	B 7100 4204	430	
Locking element	Cylinder hole-type	Length	Aluminium F1 DIN LH DIN RH	Satin stainless steel DIN LH DIN RH	See page
Touch bar	PC 72 mm	1158 mm	B-74430-12-L-1 B-74430-12-R-1	B-74430-12-L-8 B-74430-12-R-8	426

Accessories: spindles and screws see from page 446.

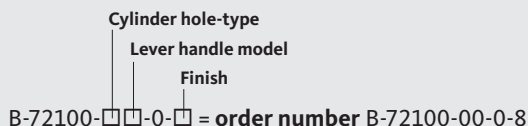
*Ordering example

Active leaf: half lever set with rosettes = B-72100-□□-0-□

Cylinder hole-type – PC = 0 [refer to table]

Lever handle model RONDO H1.0 = 0 [refer to table]

Finish 8 = satin stainless steel [refer to table]



Combination PEO 405

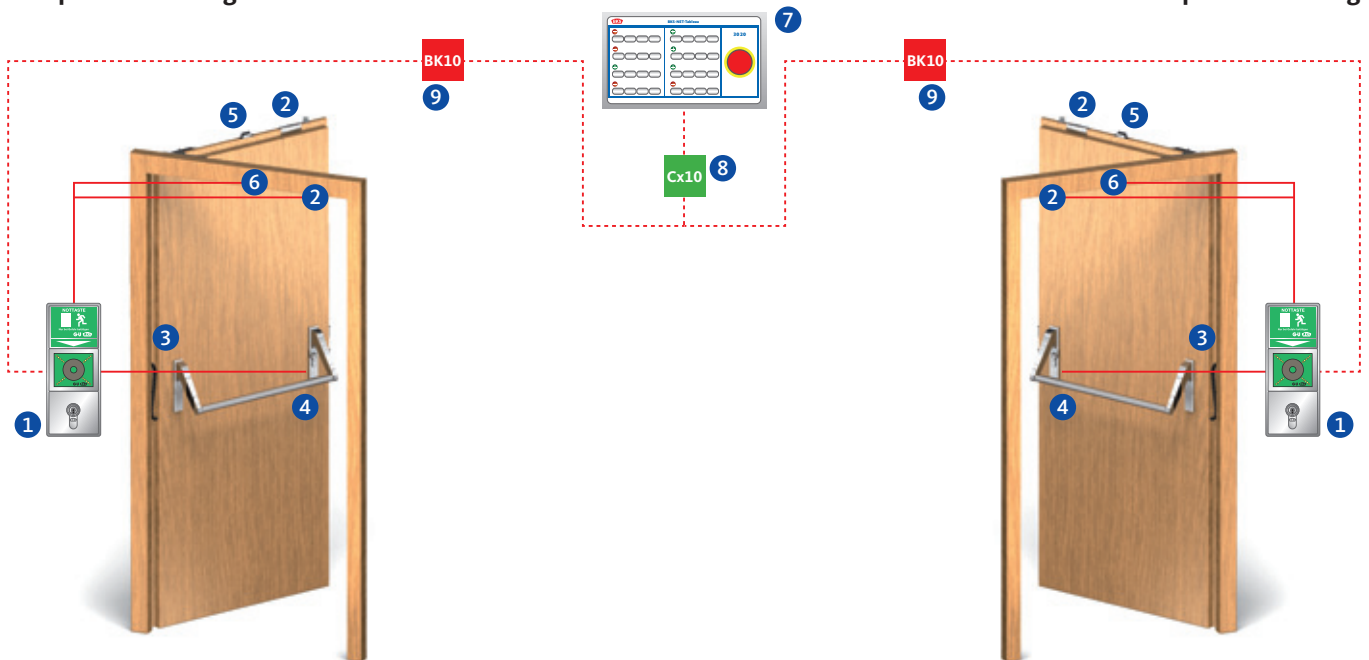
Panic function, single-leaf, top-locking feature



Escape door locking

Centralised control and visualisation

Escape door locking



Monitoring contacts

Product	Cylinder cam monitoring	Latch monitoring	Deadbolt monitoring	Follower monitoring	Exterior lever handle electrically coupled	Combinable with electric strike
2330 / 2332 / 2334	■	■	■	■	-	■
2100/2102	■	■	-	■	■	-

Escape door locking

No.	Product	Description	See page
1	B 5580 09xx	Escape door terminal set with integral power supply unit	452
2	B 5469 0010	Door contact	463
3	6-xxxx-xx-x-x	Cable link	416
4	B 5490 xxxx	Connecting cable	419
5	B 5495 0010	Latch lock	414
6	B 5465 xxxx	Electric escape door strike	414

Centralised control and visualisation

No.	Product	Description	See page
7	B 5580 0611	BKS-NET tablet with pre-installed software, licence included, for max. 8 doors (without collective display)	464
8	B 5580 0421	CU10 building bus coupler (USB interface)	469
9	B 5580 0411	BK10 in-wall bus coupler (without frame/cover)	469

Door closers

For detailed order information please refer to our door closer order catalogue.

Combination PES 105

Panic function, single-leaf, SECURY



Inside



Outside

Functional description

Inside

The door can be opened by the push bar at any time (panic function).

With a SECURY lock, the door is automatically locked without having to use the key.

- Panic function B
- Panic function C

Outside

The door leaf is opened using the key and lever handle.

With a SECURY lock, the door is automatically locked without having to use the key.

Possible applications

- Escape doors to EN 1125 in public buildings
- Suitable for fire and smoke protection doors
- As the lever handle is on the outside, the door can be used as a connecting door from both sides depending on the particular panic function
- Suitable for very high entrance doors with a tendency to warp (only by agreement with the door fabricator and in compliance with approvals)
- Automatic multi-point locking
- Enhanced burglar protection and gasket pressure thanks to the additional locking
- Especially suited in combination with an electric A-opener for use with intercoms on entrance doors (remote opening) and automatic swing door drives (barrier-free)
- Optional combination with electric access control and/or escape door security components (see the following pages)

Recommendation

- Administrative and office buildings
- Homes for the elderly and residential homes
- Secondary entrance doors
- Main entrance doors to kindergartens, schools, hotels

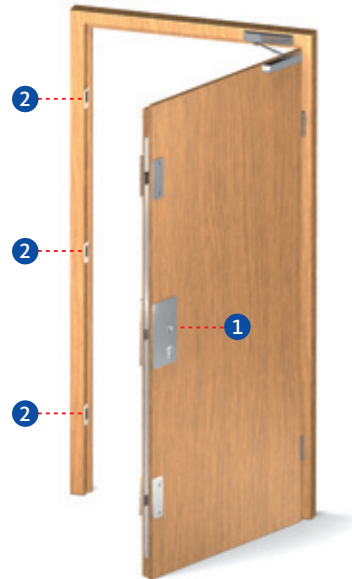
Combination PES 105

Panic function, single-leaf, SECURITY



Active leaf:

- 1 = SECURITY panic lock
- 2 = Striker



Active leaf							
No.	Product/ Panic function	Backset	20 mm faceplate for rebated doors		24 mm faceplate for flush doors		Additional PC/CH-RC versions see page
			DIN LH	DIN RH	DIN LH	DIN RH	
1	SECURITY 2110/B	55	6-38725-03-L-8	6-38725-03-R-8	6-38725-06-L-8	6-38725-06-R-8	354
		65	6-38725-01-L-8	6-38725-01-R-8	6-38725-07-L-8	6-38725-07-R-8	354
		80	6-38725-04-L-8	6-38725-04-R-8	6-38725-08-L-8	6-38725-08-R-8	354
	SECURITY 2112/C	55	6-39008-02-L-8	6-39008-02-R-8	6-39008-05-L-8	6-39008-05-R-8	358
		65	6-39008-03-L-8	6-39008-03-R-8	6-39008-06-L-8	6-39008-06-R-8	358
		80	6-39008-04-L-8	6-39008-04-R-8	6-39008-07-L-8	6-39008-07-R-8	358
	SECURITY 2170/C electrically coupled	55	6-39014-02-L-8	6-39014-02-R-8	6-39014-04-L-8	6-39014-04-R-8	370
		65	6-39014-03-L-8	6-39014-03-R-8	6-39014-05-L-8	6-39014-05-R-8	370
		80	6-39014-01-L-8	6-39014-01-R-8	-	-	370

Frame					
Striker					
No.	Product			See page	
2	Angled striker	Non-handed		9-38551-xx-x-x	401
	Adjustable striker	Non-handed		6-31985-xx-x-x	400

Combination PES 105

Panic function, single-leaf, SECURY



Inside



Outside

Active leaf: half lever set with rosettes

Order number*

B-72100-□□-0-□

□ Cylinder hole-type	□ Lever handle model	□ Finish
0 PC	0 RONDO H1.0	1 Silver/EV1 look
2 CH-RC	4 BELCANTO-PANIK H3.0	3 PVD brass
	6 OFFICE H4.0	7 Traffic white (RAL 9016)
	7 LEGATO H5.0	8 Satin stainless steel
	8 TREMOLO H6.0	
	9 DIRIGENT H7.0	

Active leaf: half lever set with short backplate and lever handle

Order number*

B-72110-□□-0-□

Active leaf: half lever set with long backplate

Order number*

B-72120-□□-0-□

□ Cylinder hole-type – backplate design	□ Lever handle model	□ Finish
0 PC 72 mm – round	0 RONDO H1.0	1 Silver/EV1 look
1 PC 72 mm – square	4 BELCANTO-PANIK H3.0	3 PVD brass
2 CH-RC 74 mm – round	6 OFFICE H4.0	7 Traffic white (RAL 9016)
3 CH-RC 74 mm – square	7 LEGATO H5.0	8 Satin stainless steel
	8 TREMOLO H6.0	
	9 DIRIGENT H7.0	

Active leaf: panic exit device according to EN 1125

Locking element	Cylinder hole-type	Aluminium F1	Satin stainless steel	See page	
Push bar	PC 72 mm	B-74000-10-0-1N	B-74000-10-0-8	430	
	CH-RC 74 mm	B-74000-20-0-1N	B-74000-20-0-8	430	
Crossbar	Length	Aluminium F1	Satin stainless steel	See page	
	1150 mm	B 7100 4274	B 7100 4204	430	
Locking element	Cylinder hole-type	Length	Aluminium F1 DIN LH DIN RH	Satin stainless steel DIN LH DIN RH	See page
Touch bar	PC 72 mm	1158 mm	B-74430-12-L-1 B-74430-12-R-1	B-74430-12-L-8 B-74430-12-R-8	426

Accessories: spindles and screws see from page 446.

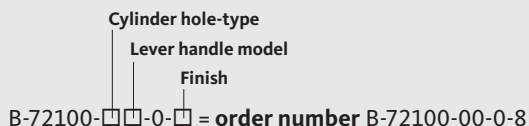
*Ordering example

Active leaf: half lever set with rosettes = B-72100-□□-0-□

Cylinder hole-type – PC = 0 [refer to table]

Lever handle model RONDO H1.0 = 0 [refer to table]

Finish 8 = satin stainless steel [refer to table]



Combination PES 105

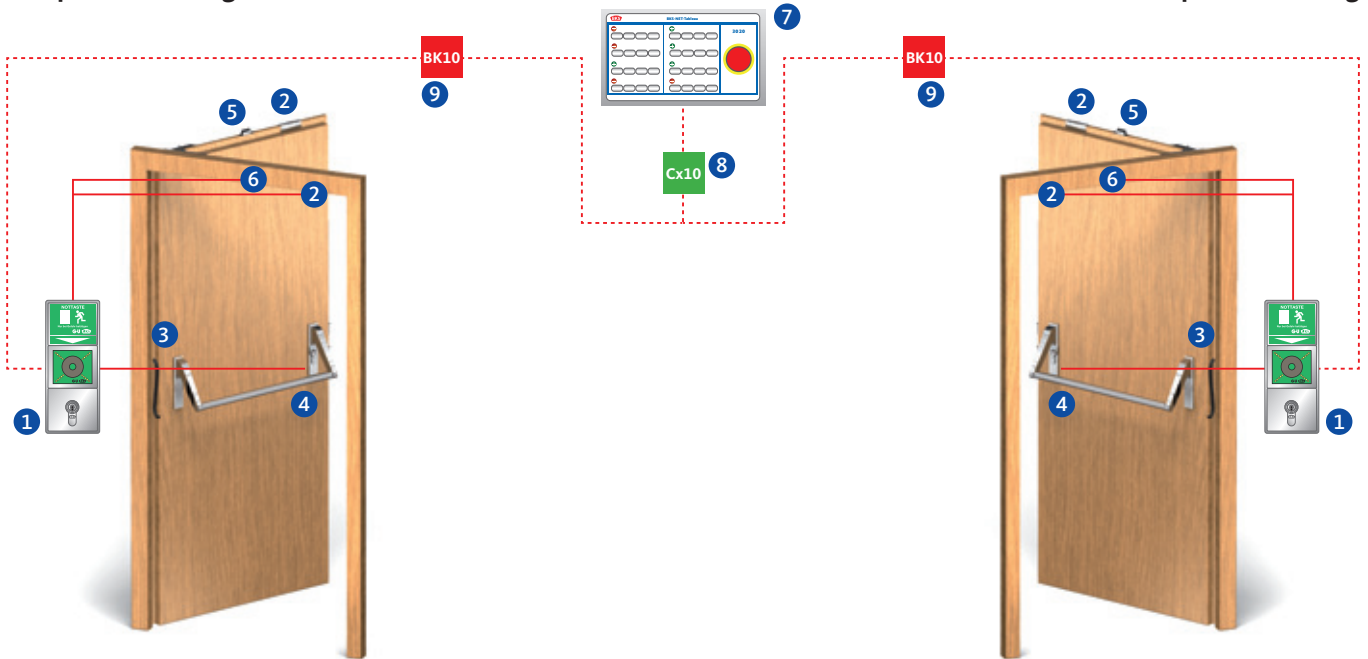
Panic function, single-leaf, SECURITY



Escape door locking

Centralised control and visualisation

Escape door locking



Monitoring contacts

Product	Cylinder cam monitoring	Latch monitoring	Deadbolt monitoring	Follower monitoring	Exterior lever handle electrically coupled	Combinable with electric strike	With A-opener (motor)
6-3xxxx-xx-x	-	-	■	-	-	-	■

Escape door locking

No.	Product	Description	See page
1	B 5580 09xx	Escape door terminal set with integral power supply unit	452
2	B 5469 0010	Door contact	463
3	6-xxxxx-xx-x-x	Cable link	416
4	B 5490 xxxx	Connecting cable	419
5	B 5495 0010	Latch lock	414
6	B 5465 xxxx	Electric escape door strike	414

Centralised control and visualisation

No.	Product	Description	See page
7	B 5580 0611	BKS-NET tablet with pre-installed software, licence included, for max. 8 doors (without collective display)	464
8	B 5580 0421	CU10 building bus coupler (USB interface)	469
9	B 5580 0411	BK10 in-wall bus coupler (without frame/cover)	469

Door closers

For detailed order information please refer to our door closer order catalogue.

Combination PE 125

Panic function, single-leaf



Inside



Outside

Functional description

Inside

The door can be opened by the push bar at any time (panic function).

With series 23, the door is locked with the key.

With series 21, the door locks automatically without a key.
– Panic function E

Outside

The door can only be unlocked with the key.

With series 23, the door is locked with the key.

With series 21, the door locks automatically without a key.

Possible applications

- Escape doors to EN 1125 in public buildings
- Suitable for fire and smoke protection doors
- As the fixed knob or push/pull handle is on the outside, access from the outside is only possible using the key.
- Optional combination with electric access control and/or escape door security components (see the following pages)

Recommendation

- Doors on transformer stations and boiler rooms
- Lift
- Underground car parks
- Entrance doors for warehouses and office buildings
- Homes for the elderly and residential homes

Combination PE 125

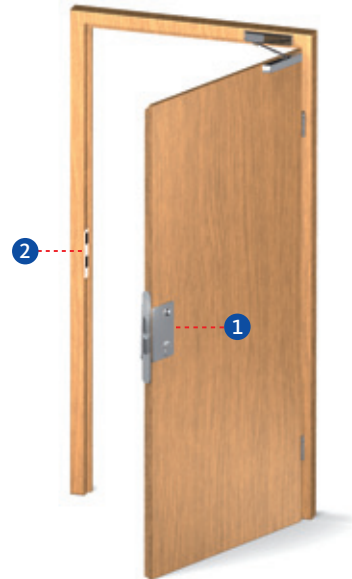
Panic function, single-leaf



Active leaf:

1 = Panic lock

2 = Striker



Active leaf						
No.	Product/ Panic function	Backset	20 mm faceplate for rebated doors		24 mm faceplate for flush doors Non-handed	Additional versions see page
			DIN LH	DIN RH		
1	1125/E	65	-		B-11250-01-U-2	224
	Product/ Panic function	Backset	20 mm faceplate for rebated doors		24 mm faceplate for flush doors Non-handed	Additional PC/CH-RC versions see page
	2326/E	55	B-23260-00-L-8	B-23260-00-R-8	B-23260-25-L-8	240
		65	B-23260-02-L-8	B-23260-02-R-8	B-23260-27-L-8	240
		80	B-23260-03-L-8	B-23260-03-R-8	B-23260-28-L-8	240
	Product/ Panic function	Backset	20 mm faceplate for rebated doors		24 mm faceplate for flush doors Non-handed	Additional PC/CH-RC versions see page
	2116/E self-locking	65	B-21160-02-L-8	B-21160-02-R-8	B-21160-42-L-8	318
		80	B-21160-03-L-8	B-21160-03-R-8	B-21160-43-L-8	318
	2116/E with key-controlled latch holdback	65	B-21160-07-L-8	B-21160-07-R-8	B-21160-47-L-8	318
		80	B-21160-08-L-8	B-21160-08-R-8	B-21160-48-L-8	318

Frame					
Striker					
No.	Product				See page
2	Angled striker	Non-handed		B 9000 0248	390
	Flat striker	Non-handed	Series 23	B-90000-05-0-8	392
			Series 21	B-90000-01-0-8	393
	Lipped striker	DIN LH	Series 23	B-90000-61-L-8	394
				B-90000-61-R-8	
		DIN RH	Series 21	B-90000-55-L-8	394
				B-90000-55-R-8	

Combination PE 125

Panic function, single-leaf



Inside



Outside

Active leaf: half knob set with rosette

Order number*

B-72600-□□-0-□

□	Cylinder hole-type	□	Knob model	□	Finish
0	PC	0	Round knob K1.0	1	Silver/EV1 look
2	CH-RC	1	Round knob K1.1	3	PVD brass
3	Without PC hole	2	Ball knob K2.0	7	Traffic white (RAL 9016)
		3	Ball knob K2.1	8	Satin stainless steel

Active leaf: half knob set with short backplate

Order number*

B-72610-□□-0-□

□	Cylinder hole-type – backplate design	□	Knob model	□	Finish
0	PC 72 mm – round	0	Round knob K1.0	1	Silver/EV1 look
1	PC 72 mm – square	1	Round knob K1.1	3	PVD brass
2	CH-RC 74 mm – round	2	Ball knob K2.0	7	Traffic white (RAL 9016)
3	CH-RC 74 mm – square	3	Ball knob K2.1	8	Satin stainless steel

Active leaf: panic exit device according to EN 1125

Locking element	Cylinder hole-type	Aluminium F1	Satin stainless steel	See page	
Push bar	PC 72 mm	B-74000-10-0-1N	B-74000-10-0-8	430	
	CH-RC 74 mm	B-74000-20-0-1N	B-74000-20-0-8	430	
Crossbar	Length	Aluminium F1	Satin stainless steel	See page	
	1150 mm	B 7100 4274	B 7100 4204	430	
Locking element	Cylinder hole-type	Length	Aluminium F1 DIN LH DIN RH	Satin stainless steel DIN LH DIN RH	See page
Touch bar	PC 72 mm	1158 mm	B-74430-12-L-1 B-74430-12-R-1	B-74430-12-L-8 B-74430-12-R-8	426

Accessories: spindles and screws see from page 446.

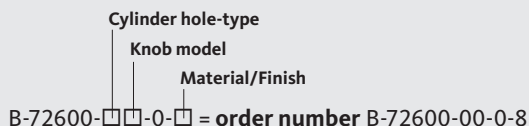
***Ordering example**

Active leaf: half knob set with rosette = B-72600-□□-0-□

Cylinder hole-type – PC = 0 [refer to table]

Knob model: round knob K1.0 = 0 [refer to table]

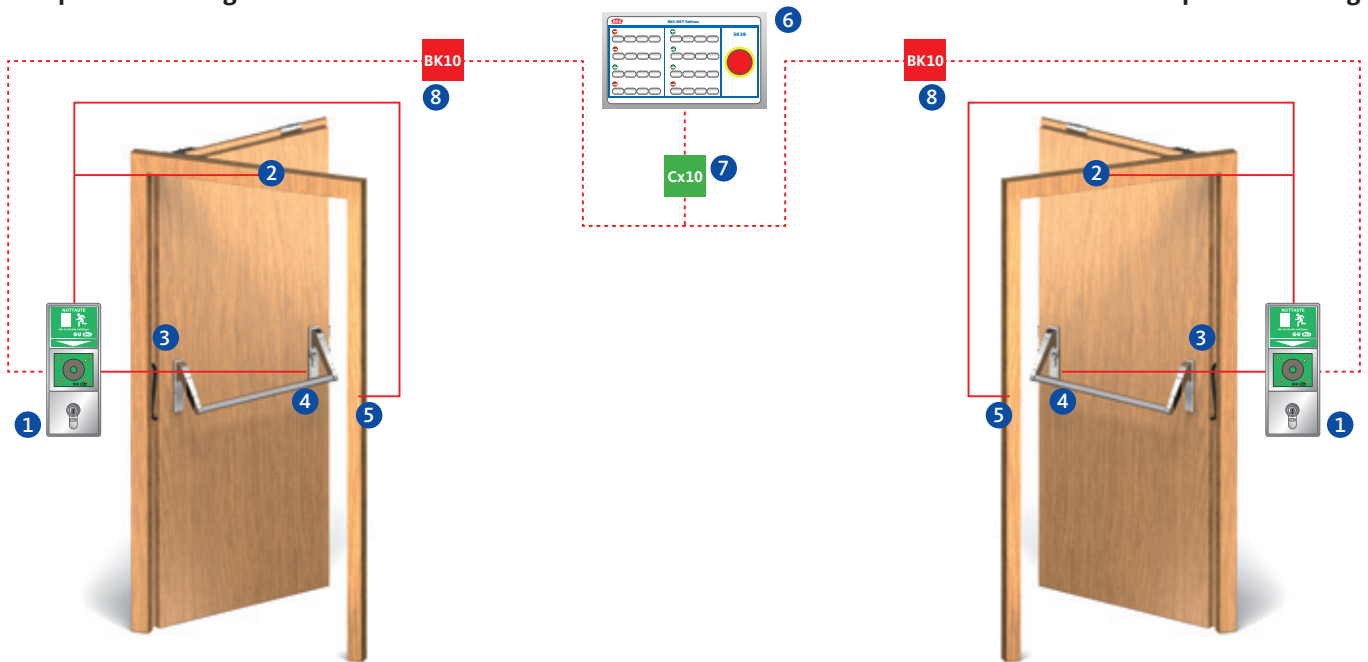
Finish 8 = satin stainless steel [refer to table]



Escape door locking

Centralised control and visualisation

Escape door locking



Monitoring contacts

Product	Cylinder cam monitoring	Latch monitoring	Deadbolt monitoring	Follower monitoring	Exterior lever handle electrically coupled	Combinable with electric strike
2326	■	■	■	■	-	■
2116	■	■	-	■	-	-
2126 EVP	■	-	-	-	-	-

Escape door locking

No.	Product	Description	See page
1	B 5580 09xx	Escape door terminal set with integral power supply unit	452
2	B 5469 0010	Door contact	463
3	6-xxxx-xx-x-x	Cable link	416
4	B 5490 xxxx	Connecting cable	419
5	B 5465 040x	Electric escape door strike	414

Centralised control and visualisation

No.	Product	Description	See page
6	B 5580 0611	BKS-NET tablet with pre-installed software, licence included, for max. 8 doors (without collective display)	464
7	B 5580 0421	CU10 building bus coupler (USB interface)	469
8	B 5580 0411	BK10 in-wall bus coupler (without frame/cover)	469

Door closers

For detailed order information please refer to our door closer order catalogue.

Combination PEO 425

Panic function, single-leaf, top-locking feature



Inside



Outside

Functional description

Inside

The door can be opened by the push bar at any time (panic function).

With series 23, the door is locked with the key.

With series 21, the door locks automatically without a key.
– Panic function E

Outside

The door can only be unlocked with the key.

With series 23, the door is locked with the key.

With series 21, the door locks automatically without a key.

Possible applications

- Escape doors to EN 1125 in public buildings
- Suitable for fire and smoke protection doors
- As the fixed knob or push/pull handle is on the outside, access from the outside is only possible using the key
- Suitable for very high entrance doors with a tendency to warp (only by agreement with the door fabricator and in compliance with approvals)
- Enhanced burglar protection and gasket pressure thanks to the additional top-locking feature
- Optional combination with electric access control and/or escape door security components (see the following pages)

Recommendation

- Doors on transformer stations and boiler rooms
- Lift
- Underground car parks
- Entrance doors for warehouses and office buildings
- Homes for the elderly and residential homes

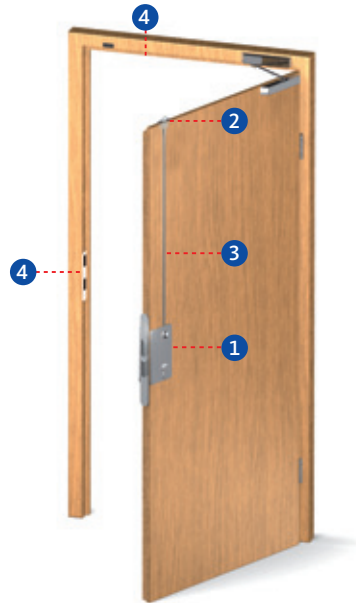
Combination PEO 425

Panic function, single-leaf, top-locking feature



Active leaf:

- 1 = Panic lock with top-locking feature
- 2 = Spring-operated top latch
- 3 = Vertical rod
- 4 = Striker



Active leaf							
No.	Product/ Panic function	Backset	20 mm faceplate for rebated doors		24 mm faceplate for flush doors	Additional PC/CH-RC versions see page	
			DIN LH	DIN RH	Non-handed		
1	2336/E	55	B-23360-00-L-8	B-23360-00-R-8	B-23360-25-L-8	258	
		65	B-23360-02-L-8	B-23360-02-R-8	B-23360-27-L-8	258	
		80	B-23360-03-L-8	B-23360-03-R-8	B-23360-28-L-8	258	
	2106/E self-locking	Backset	20 mm faceplate for rebated doors		24 mm faceplate for flush doors		Additional PC/CH-RC versions see page
			DIN LH	DIN RH	Non-handed		
			65	B-21060-02-L-8	B-21060-02-R-8	B-21060-42-L-8	
		80	B-21060-03-L-8	B-21060-03-R-8	B-21060-43-L-8		306
No.	Product	Backset	Faceplate 20 mm		Faceplate 24 mm	See page	
2	1795	65, 80, 100	B 1795 0007		B 1795 0005	378	
No.	Product					See page	
3	9006	55-100	Rod length	1385 mm	B 9006 0022	402	
				1500 mm	B 9006 0013	402	

Frame							
Striker							
No.	Product					See page	
4	Angled striker	Non-handed			B 9000 0248	390	
	Flat striker	Non-handed	Series 23		B-90000-05-0-8	392	
			Series 21		B-90000-01-0-8	393	
	Lipped striker		DIN LH	Series 23		B-90000-61-L-8	394
			DIN RH			B-90000-61-R-8	
			DIN LH	Series 21		B-90000-55-L-8	394
			DIN RH			B-90000-55-R-8	
Lipped striker for lock 1795	Non-handed			B 9000 0567	391		

Combination PEO 425

Panic function, single-leaf, top-locking feature



Inside



Outside

Active leaf: half knob set with rosette

Order number*

B-72600-□□-0-□

□	Cylinder hole-type	□	Knob model	□	Finish
0	PC	0	Round knob K1.0	1	Silver/EV1 look
2	CH-RC	1	Round knob K1.1	3	PVD brass
3	Without PC hole	2	Ball knob K2.0	7	Traffic white (RAL 9016)
		3	Ball knob K2.1	8	Satin stainless steel

Active leaf: half knob set with short backplate

Order number*

B-72610-□□-0-□

□	Cylinder hole-type – backplate design	□	Knob model	□	Finish
0	PC 72 mm – round	0	Round knob K1.0	1	Silver/EV1 look
1	PC 72 mm – square	1	Round knob K1.1	3	PVD brass
2	CH-RC 74 mm – round	2	Ball knob K2.0	7	Traffic white (RAL 9016)
3	CH-RC 74 mm – square	3	Ball knob K2.1	8	Satin stainless steel

Active leaf: panic exit device according to EN 1125

Locking element	Cylinder hole-type	Aluminium F1	Satin stainless steel	See page	
Push bar	PC 72 mm	B-74000-10-0-1N	B-74000-10-0-8	430	
	CH-RC 74 mm	B-74000-20-0-1N	B-74000-20-0-8	430	
Crossbar	Length	Aluminium F1	Satin stainless steel	See page	
	1150 mm	B 7100 4274	B 7100 4204	430	
Locking element	Cylinder hole-type	Length	Aluminium F1 DIN LH DIN RH	Satin stainless steel DIN LH DIN RH	See page
Touch bar	PC 72 mm	1158 mm	B-74430-12-L-1 B-74430-12-R-1	B-74430-12-L-8 B-74430-12-R-8	426

Accessories: spindles and screws see from page 446.

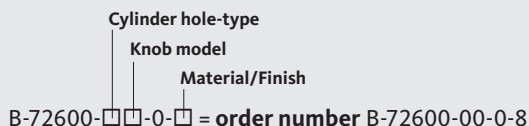
***Ordering example**

Active leaf: half knob set with rosette = B-72600-□□-0-□

Cylinder hole-type – PC = 0 [refer to table]

Knob model: round knob K1.0 = 0 [refer to table]

Finish 8 = satin stainless steel [refer to table]



Combination PEO 425

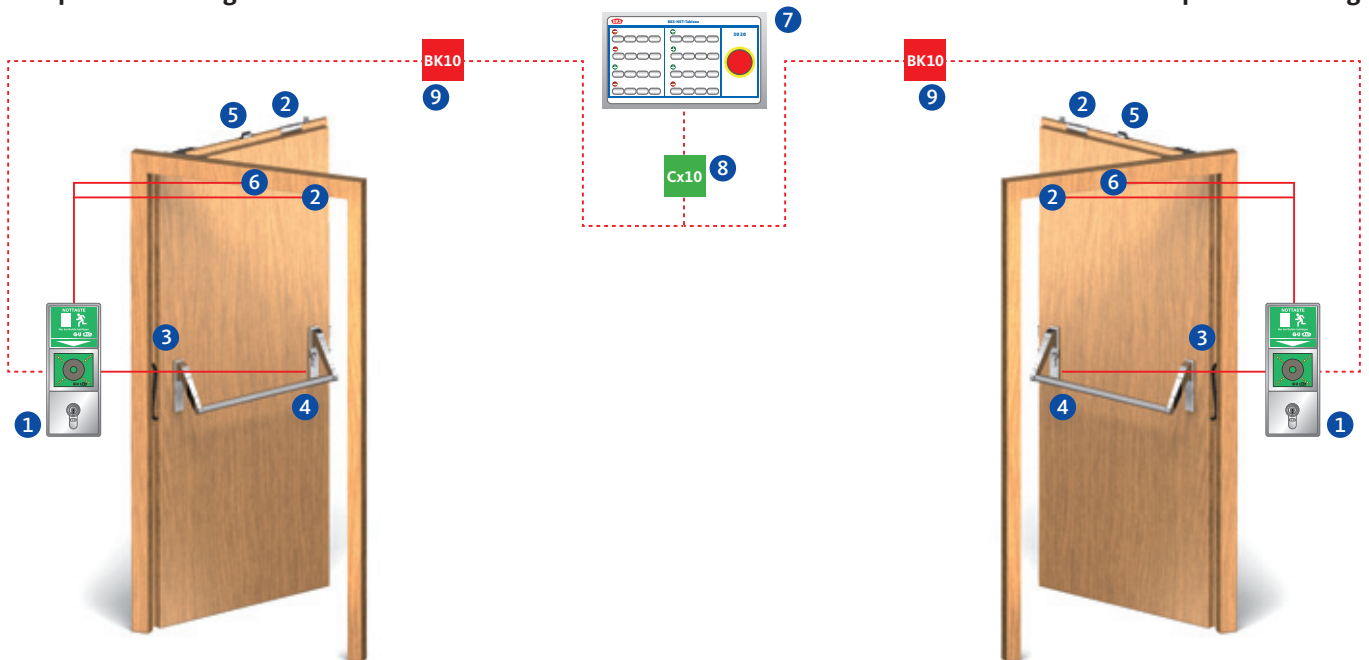
Panic function, single-leaf, top-locking feature



Escape door locking

Centralised control and visualisation

Escape door locking



Monitoring contacts

Product	Cylinder cam monitoring	Latch monitoring	Deadbolt monitoring	Follower monitoring	Exterior lever handle electrically coupled	Combinable with electric strike
2336	■	-	■	■	-	■
2106	■	■	-	■	-	-

Escape door locking

No.	Product	Description	See page
1	B 5580 09xx	Escape door terminal set with integral power supply unit	452
2	B 5469 0010	Door contact	463
3	6-xxxxx-xx-x-x	Cable link	416
4	B 5490 xxxx	Connecting cable	419
5	B 5495 0010	Latch lock	414
6	B 5465 xxxx	Electric escape door strike	414

Centralised control and visualisation

No.	Product	Description	See page
7	B 5580 0611	BKS-NET tablet with pre-installed software, licence included, for max. 8 doors (without collective display)	464
8	B 5580 0421	CU10 building bus coupler (USB interface)	469
9	B 5580 0411	BK10 in-wall bus coupler (without frame/cover)	469

Door closers

For detailed order information please refer to our door closer order catalogue.

Combination PES 125

Panic function, single-leaf, SECURY



Inside



Outside

Functional description

Inside

The door can be opened by the push bar at any time (panic function).

With a SECURY lock, the door is automatically locked without having to use the key.

– Panic function E

Outside

The door can only be unlocked with the key.

With a SECURY lock, the door is automatically locked without having to use the key.

Possible applications

- Escape doors to EN 1125 in public buildings
- Suitable for fire and smoke protection doors
- As the fixed knob or push/pull handle is on the outside, access from the outside is only possible using the key
- Suitable for very high entrance doors with a tendency to warp (only by agreement with the door fabricator and in compliance with approvals)
- Automatic multi-point locking
- Enhanced burglar protection and gasket pressure thanks to the additional locking
- Especially suited in combination with an electric A-opener for use with intercoms on entrance doors (remote opening) and automatic swing door drives (barrier-free)
- Optional combination with electric access control and/or escape door security components (see the following pages)

Recommendation

- Doors on transformer stations and boiler rooms
- Lift
- Underground car parks
- Entrance doors for warehouses and office buildings
- Homes for the elderly and residential homes

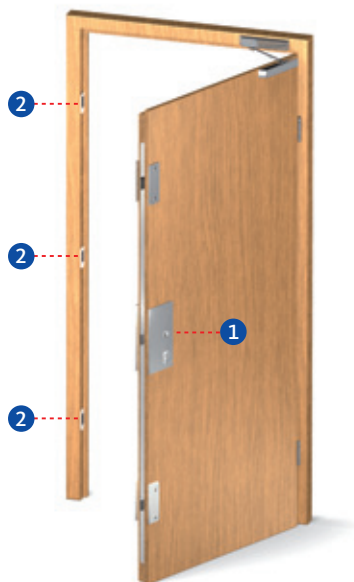
Combination PES 125

Panic function, single-leaf, SECURY



Active leaf:

- ① = SECURY panic lock
- ② = Striker



Active leaf							
No.	Product/ Panic function	Backset	20 mm faceplate for rebated doors		24 mm faceplate for flush doors		Additional PC/CH-RC versions see page
			DIN LH	DIN RH	DIN LH	DIN RH	
1	SECURY 2116/E	55	6-38724-03-L-8	6-38724-03-R-8	6-38724-06-L-8	6-38724-06-R-8	362
		65	6-38724-01-L-8	6-38724-01-R-8	6-38724-07-L-8	6-38724-07-R-8	362
		80	6-38724-04-L-8	6-38724-04-R-8	6-38724-08-L-8	6-38724-08-R-8	362

Frame					
Striker					
No.	Product			See page	
2	Angled striker	Non-handed		9-38551-xx-x-x	401
	Adjustable striker	Non-handed		6-31985-xx-x-x	400

Combination PES 125

Panic function, single-leaf, SECURITY



Inside



Outside

Active leaf: half knob set with rosette

Order number*

B-72600-□□-0-□

□	Cylinder hole-type	□	Knob model	□	Finish
0	PC	0	Round knob K1.0	1	Silver/EV1 look
2	CH-RC	1	Round knob K1.1	3	PVD brass
3	Without PC hole	2	Ball knob K2.0	7	Traffic white (RAL 9016)
		3	Ball knob K2.1	8	Satin stainless steel

Active leaf: half knob set with short backplate

Order number*

B-72610-□□-0-□

□	Cylinder hole-type – backplate design	□	Knob model	□	Finish
0	PC 72 mm – round	0	Round knob K1.0	1	Silver/EV1 look
1	PC 72 mm – square	1	Round knob K1.1	3	PVD brass
2	CH-RC 74 mm – round	2	Ball knob K2.0	7	Traffic white (RAL 9016)
3	CH-RC 74 mm – square	3	Ball knob K2.1	8	Satin stainless steel

Active leaf: panic exit device according to EN 1125

Locking element	Cylinder hole-type	Aluminium F1	Satin stainless steel	See page	
Push bar	PC 72 mm	B-74000-10-0-1N	B-74000-10-0-8	430	
	CH-RC 74 mm	B-74000-20-0-1N	B-74000-20-0-8	430	
Crossbar	Length	Aluminium F1	Satin stainless steel	See page	
	1150 mm	B 7100 4274	B 7100 4204	430	
Locking element	Cylinder hole-type	Length	Aluminium F1 DIN LH DIN RH	Satin stainless steel DIN LH DIN RH	See page
Touch bar	PC 72 mm	1158 mm	B-74430-12-L-1 B-74430-12-R-1	B-74430-12-L-8 B-74430-12-R-8	426

Accessories: spindles and screws see from page 446.

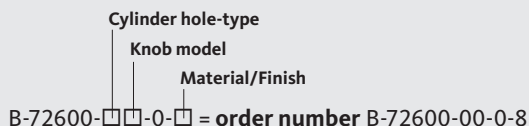
***Ordering example**

Active leaf: half knob set with rosette = B-72600-□□-0-□

Cylinder hole-type – PC = 0 [refer to table]

Knob model: round knob K1.0 = 0 [refer to table]

Finish 8 = satin stainless steel [refer to table]



Combination PES 125

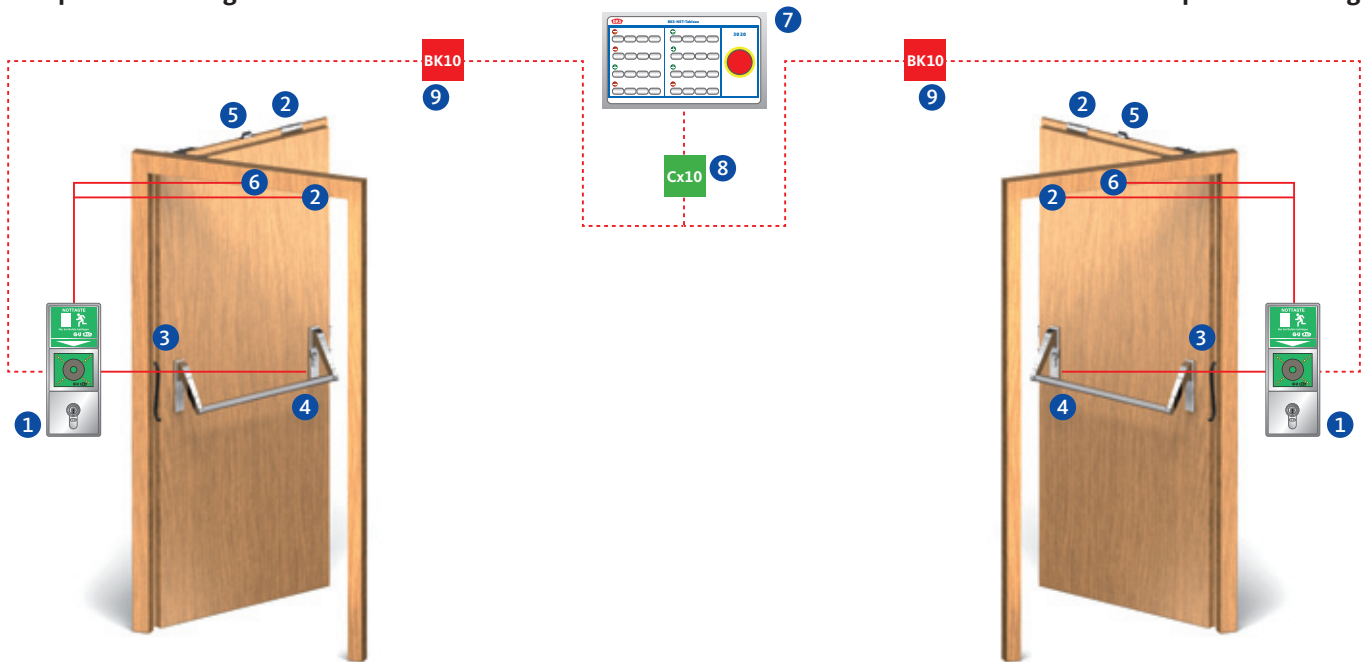
Panic function, single-leaf, SECURITY



Escape door locking

Centralised control and visualisation

Escape door locking



Monitoring contacts

Product	Cylinder cam monitoring	Latch monitoring	Deadbolt monitoring	Follower monitoring	Exterior lever handle electrically coupled	Combinable with electric strike	With A-opener (motor)
6-38724-xx-x	-	-	■	-	-	-	■

Escape door locking

No.	Product	Description	See page
1	B 5580 09xx	Escape door terminal set with integral power supply unit	452
2	B 5469 0010	Door contact	463
3	6-xxxxx-xx-x-x	Cable link	416
4	B 5490 xxxx	Connecting cable	419
5	B 5495 0010	Latch lock	414
6	B 5465 xxxx	Electric escape door strike	414

Centralised control and visualisation

No.	Product	Description	See page
7	B 5580 0611	BKS-NET tablet with pre-installed software, licence included, for max. 8 doors (without collective display)	464
8	B 5580 0421	CU10 building bus coupler (USB interface)	469
9	B 5580 0411	BK10 in-wall bus coupler (without frame/cover)	469

Door closers

For detailed order information please refer to our door closer order catalogue.

Combination PZA 110

Panic function, 2-leaf, automatic locking of passive leaf



Inside



Outside

Functional description

Active leaf

Inside

The active leaf can be opened by the lever handle at any time (panic function).

With series 23, the door is locked with the key.

With series 21, the door locks automatically without a key.

Outside

The active leaf is opened using the key and lever handle.

With series 23, the door is locked with the key.

With series 21, the door locks automatically without a key.

– Panic function B

– Panic function C

– Panic function D (only for series 23)

Passive leaf

Inside

Active and passive leaf can be opened by the lever handle at any time (panic function on both leaves). Upon closing, the passive leaf is locked automatically via the vertical rods. If the door is opened by the passive leaf, the carrier bar ensures that the active leaf is carried along far enough to activate the door-leaf coordinator, so the leaves can close in the appropriate sequence. This also guarantees that the two leaves cannot jam, not even with a small clearance. The closing sequence of the door is controlled by the door-leaf coordinator integrated in the door closer.

Possible applications

- Emergency exits to EN 179 in areas not accessible to the public
- Suitable for fire and smoke protection doors
- As the lever handle is on the outside, the door can be used as a connecting door from both sides depending on the particular panic function
- Optional combination with electric access control and/or escape door security components (see the following pages)

Recommendation

- Entrance doors to administrative and office buildings
- Homes for the elderly
- Service doors
- Museums
- Airports
- Stadiums
- Administrative areas

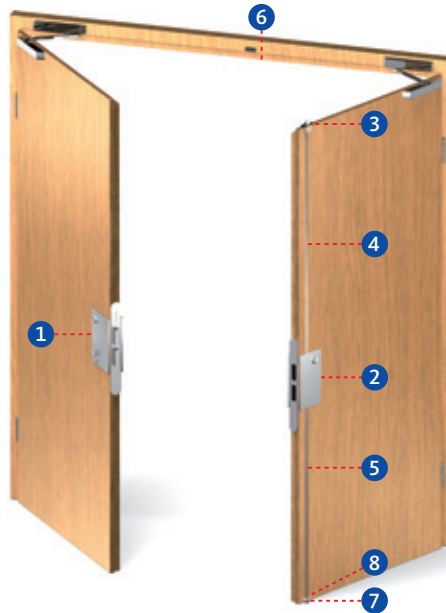
Combination PZA 110

Panic function, 2-leaf, automatic locking of passive leaf



Active leaf:

1 = Panic lock



Passive leaf:

- 2 = Shoot-bolt lock
- 3 = Passive-leaf control lock
- 4 = Vertical rod
- 5 = Solid vertical rod
- 6 = Striker
- 7 = Floor striker
- 8 = Guide plate for vertical rod

Active leaf

No.	Product/ Panic function	Backset	20 mm faceplate for rebated doors		24 mm faceplate for flush doors	Additional PC/CH-RC versions see page
			DIN LH	DIN RH	Non-handed	
1	2321/B	65	B-23210-04-L-8r	B-23210-04-R-8	B-23210-44-L-8	230
		80	B-23210-06-L-8r	B-23210-06-R-8	B-23210-46-L-8	230
	2323/C	65	B-23230-04-L-8r	B-23230-04-R-8	B-23230-44-L-8	234
		80	B-23230-06-L-8r	B-23230-06-R-8	B-23230-46-L-8	234
	2325/D	65	B-23250-04-L-8r	B-23250-04-R-8	B-23250-44-L-8	238
		80	B-23250-06-L-8r	B-23250-06-R-8	B-23250-46-L-8	238
	2111/panic funtion B self-locking	65	B-21110-02-L-8r	B-21110-02-R-8	B-21110-22-L-8	312
		80	B-21110-03-L-8r	B-21110-03-R-8	B-21110-23-L-8	312
	2113/C self-locking	65	B-21130-02-L-8r	B-21130-02-R-8	B-21130-22-L-8	316
		80	B-21130-03-L-8r	B-21130-03-R-8	B-21130-23-L-8	316
	2171 electrically coupled	65	B-21710-04-L-8	B-21710-04-R-8	B-21710-06-L-8	330
		80	B-21710-08-L-8	B-21710-08-R-8	B-21710-09-L-8	330

Passive leaf

No.	Product	Backset	20 mm faceplate for rebated doors		24 mm faceplate for flush doors		Additional versions See page
			DIN LH	DIN RH	DIN LH	DIN RH	
2	2390 For series 23	65	B 2390 0278	B 2390 0277	B 2390 0202	B 2390 0201	276
		80	B 2390 0310	B 2390 0309	B 2390 0222	B 2390 0221	276
	Product	Backset	Lipped faceplate		Angled faceplate		See page
	2392 For electric strike	65	B 2392 6020	B 2392 6021	B 2392 6040	B 2392 6041	282+284
		80	B 2392 6022	B 2392 6023	B 2392 6042	B 2392 6043	282+284
	2190 For series 21	65	B 2190 1007	B 2190 1006	B 2190 1013	B 2190 1012	346+348
80		B 2190 1009	B 2190 1008	B 2190 1015	B 2190 1014	346+348	
No.	Product	Backset	Faceplate 20 mm		Faceplate 24 mm		See page
3	1895	65	B 1895 0002		B 1895 0003		379
		80 + 100	B 1895 0004		B 1895 0005		379
No.	Product					See page	
4	9006	With end plug	Rod length	1500 mm	B 9006 0013	402	
5	9006	Solid	Rod length	1187 mm	B 9006 0004	402	
6	9000	For 1895	Non-handed		B 9000 0490	391	
7	9009/B-0028	B 9009 0001 or B-00280-20-0-8				404	
8	9019	B 9019 0001				405	

Combination PZA 110

Panic function, 2-leaf, automatic locking of passive leaf



Active leaf: lever set with rosettes

Order number*

B-72000-□□-0-□

□ Cylinder hole-type	□ Lever handle model	□ Finish
0 PC	0 RONDO H1.0	1 Silver/EV1 look
2 CH-RC	4 BELCANTO-PANIK H3.0	3 PVD brass
	6 OFFICE H4.0	7 Traffic white (RAL 9016)
	7 LEGATO H5.0	8 Satin stainless steel
	8 TREMOLO H6.0	
	9 DIRIGENT H7.0	

Active leaf: lever set with short backplates

Order number*

B-72010-□□-0-□

Active leaf: lever set with long backplates

Order number*

B-72020-□□-0-□

□ Cylinder hole-type – backplate design	□ Lever handle model	□ Finish
0 PC 72 mm – round	0 RONDO H1.0	1 Silver/EV1 look
1 PC 72 mm – square	4 BELCANTO-PANIK H3.0	3 PVD brass
	6 OFFICE H4.0	7 Traffic white (RAL 9016)
2 CH-RC 74 mm – round	7 LEGATO H5.0	8 Satin stainless steel
	8 TREMOLO H6.0	
	9 DIRIGENT H7.0	

Passive leaf: vertical lever with rosette

Order number*

B-72900-□□-0-□

□ Backplate design	□ Lever handle model	□ Finish
0 Round	0 RONDO H1.0	1 Silver/EV1 look
	4 BELCANTO-PANIK H3.0	3 PVD brass
	6 OFFICE H4.0	7 Traffic white (RAL 9016)
	7 LEGATO H5.0	8 Satin stainless steel
	8 TREMOLO H6.0	
	9 DIRIGENT H7.0	

Passive leaf: vertical lever with short backplate

Order number*

B-72910-□□-0-□

Passive leaf: vertical lever with long backplate

Order number*

B-72920-□□-0-□

□ Cylinder hole-type – backplate design	□ Lever handle model	□ Finish
0 Without PC hole – round	0 RONDO H1.0	1 Silver/EV1 look
1 Without PC hole – square	4 BELCANTO-PANIK H3.0	3 PVD brass
	6 OFFICE H4.0	7 Traffic white (RAL 9016)
	7 LEGATO H5.0	8 Satin stainless steel
	8 TREMOLO H6.0	
	9 DIRIGENT H7.0	

Accessories: spindles and screws see from page 446.

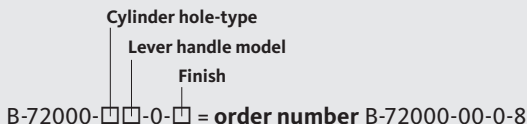
*Ordering example

Active leaf: lever set with rosettes = B-72000-□□-0-□

Cylinder hole-type – PC = 0 [refer to table]

Lever handle model RONDO H1.0 = 0 [refer to table]

Finish 8 = satin stainless steel [refer to table]



Combination PZA 110

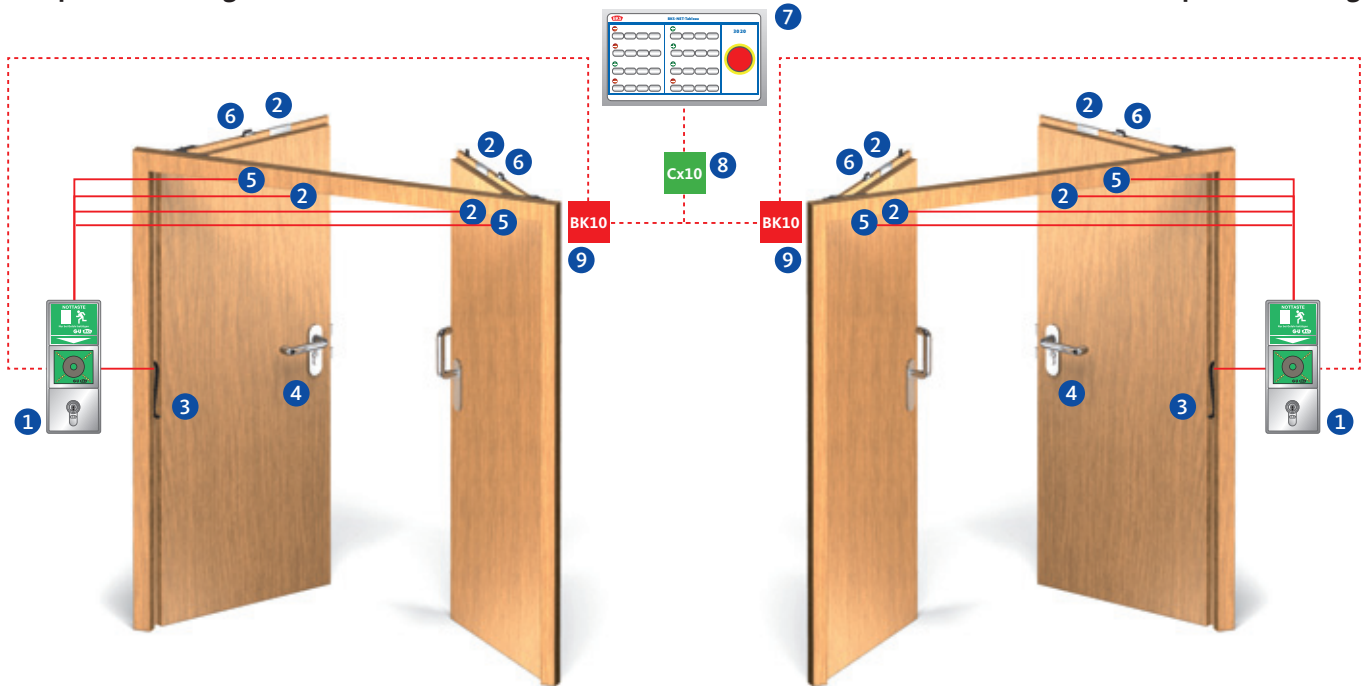
Panic function, 2-leaf, automatic locking of passive leaf



Escape door locking

Centralised control and visualisation

Escape door locking



Monitoring contacts

Product	Cylinder cam monitoring	Latch monitoring	Deadbolt monitoring	Follower monitoring	Exterior lever handle electrically coupled	Combinable with electric strike
2321 / 2323 / 2325	■	■	■	■	-	■
2111	■	■	-	■	-	-
2113	■	■	-	■	-	-
2171	Including	Including	-	Including	■	-

Escape door locking

No.	Product	Description	See page
1	B 5580 09xx	Escape door terminal set with integral power supply unit	452
2	B 5469 0010	Door contact	463
3	6-xxxxx-xx-x-x	Cable link	416
4	B 5490 xxxx	Connecting cable	419
5	B 5465 xxxx	Electric escape door strike	414
6	B 5495 0010	Latch lock	414

Centralised control and visualisation

No.	Product	Description	See page
7	B 5580 0611	BKS-NET tablet with pre-installed software, licence included, for max. 8 doors (without collective display)	464
8	B 5580 0421	CU10 building bus coupler (USB interface)	469
9	B 5580 0411	BK10 in-wall bus coupler (without frame/cover)	469

Door closer/carrier bar

For detailed order information please refer to our door closer order catalogue.

Combination PZO 110

Panic function, 2-leaf, active leaf with top-locking feature



Inside



Outside

Functional description

Active leaf

Inside

The active leaf can be opened by the lever handle at any time (panic function).

With series 23, the door is locked with the key.

With series 21, the door locks automatically without a key.

Outside

The active leaf is opened using the key and lever handle.

With series 23, the door is locked with the key.

With series 21, the door locks automatically without a key.

- Panic function B
- Panic function C
- Panic function D (only for series 23)

Passive leaf

Inside

Active and passive leaf can be opened by the vertical lever at any time (panic function on both leaves). Upon closing, the passive leaf is locked automatically via the vertical rods. If the door is opened by the passive leaf, the carrier bar ensures that the active leaf is carried along far enough to activate the door-leaf coordinator, so the leaves can close in the appropriate sequence. This also guarantees that the two leaves cannot jam, not even with a small clearance. The closing sequence of the door is controlled by the door-leaf coordinator integrated in the door closer.

Possible applications

- Emergency exits to EN 179 in areas not accessible to the public
- Suitable for fire and smoke protection doors
- As the lever handle is on the outside, the door can be used as a connecting door from both sides depending on the particular panic function
- Suitable for very high entrance doors with a tendency to warp (only by agreement with the door fabricator and in compliance with approvals)
- Enhanced burglar protection and gasket pressure thanks to the additional top-locking feature
- Optional combination with electric access control and/or escape door security components (see the following pages)

Recommendation

- Hallway doors in office buildings
- Homes for the elderly
- Service doors
- Museums
- Airports
- Stadiums
- Administrative areas

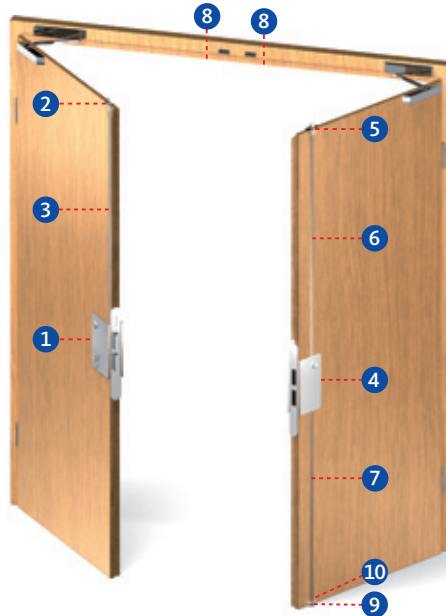
Combination PZO 110

Panic function, 2-leaf, active leaf with top-locking feature



Active leaf:

- 1 = Panic lock with top-locking feature
- 2 = Spring-operated top latch
- 3 = Vertical rod
- 8 = Striker



Passive leaf:

- 4 = Shoot-bolt lock
- 5 = Passive-leaf control lock
- 6 = Vertical rod
- 7 = Solid vertical rod
- 8 = Striker
- 9 = Floor striker
- 10 = Guide plate for vertical rod

Active leaf

No.	Product/ Panic function	Backset	20 mm faceplate for rebated doors		24 mm faceplate for flush doors	Additional PC/CH-RC versions see page	
			DIN LH	DIN RH	Non-handed		
1	2331/B	65	B-23310-04-L-8	B-23310-04-R-8	B-23310-44-L-8	248	
		80	B-23310-06-L-8	B-23310-06-R-8	B-23310-46-L-8	248	
	2333/C	65	B-23330-04-L-8	B-23330-04-R-8	B-23330-44-L-8	252	
		80	B-23330-06-L-8	B-23330-06-R-8	B-23330-46-L-8	252	
	2335/D	65	B-23350-04-L-8	B-23350-04-R-8	B-23350-44-L-8	256	
		80	B-23350-06-L-8	B-23350-06-R-8	B-23350-46-L-8	256	
	2101/B self-locking	65	B-21010-02-L-8	B-21010-02-R-8	B-21010-22-L-8	300	
		80	B-21010-03-L-8	B-21010-03-R-8	B-21010-23-L-8	300	
	2103/C self-locking	65	B-21030-02-L-8	B-21030-02-R-8	B-21030-22-L-8	304	
		80	B-21030-03-L-8	B-21030-03-R-8	B-21030-23-L-8	304	
	2	1795	65, 80, 100	B 1795 0007		B 1795 0005	378
	3	9006	55-100	Rod length	1385 mm	B 9006 0022	402
1500 mm					B 9006 0013	402	

Passive leaf

No.	Product	Backset	20 mm faceplate for rebated doors		24 mm faceplate for flush doors		Additional versions see page
			DIN LH	DIN RH	DIN LH	DIN RH	
4	2390 For series 23	65	B 2390 0278	B 2390 0277	B 2390 0202	B 2390 0201	276
		80	B 2390 0310	B 2390 0309	B 2390 0222	B 2390 0221	276
	2190 For series 21	65	B 2190 1013	B 2190 1012	B 2190 1007	B 2190 1006	346+348
		80	B 2190 1015	B 2190 1014	B 2190 1009	B 2190 1008	346+348
5	1895	65	B 1895 0002		B 1895 0003		379
		80 + 100	B 1895 0004		B 1895 0005		379
6	9006	With end plug	Rod length	1500 mm	B 9006 0013		402
7	9006	Solid	Rod length	1187 mm	B 9006 0004		402
8	9000	For 1895	Non-handed		B 9000 0490		391
		For 1795	Non-handed		B 9000 0567		391
9	9009/B-0028	B 9009 0001 or B-00280-20-0-8					404
10	9019	B 9019 0001					405

Combination PZO 110

Panic function, 2-leaf, active leaf with top-locking feature



Active leaf: lever set with rosettes

Order number*

B-72000-□□-0-□

□ Cylinder hole-type	□ Lever handle model	□ Finish
0 PC	0 RONDO H1.0	1 Silver/EV1 look
2 CH-RC	4 BELCANTO-PANIK H3.0	3 PVD brass
	6 OFFICE H4.0	7 Traffic white (RAL 9016)
	7 LEGATO H5.0	8 Satin stainless steel
	8 TREMOLO H6.0	
	9 DIRIGENT H7.0	

Passive leaf: vertical lever with rosette

Order number*

B-72900-□□-0-□

□ Backplate design	□ Lever handle model	□ Finish
0 Round	0 RONDO H1.0	1 Silver/EV1 look
	4 BELCANTO-PANIK H3.0	3 PVD brass
	6 OFFICE H4.0	7 Traffic white (RAL 9016)
	7 LEGATO H5.0	8 Satin stainless steel
	8 TREMOLO H6.0	
	9 DIRIGENT H7.0	

Active leaf: lever set with short backplates

Order number*

B-72010-□□-0-□

Active leaf: lever set with long backplates

Order number*

B-72020-□□-0-□

□ Cylinder hole-type – backplate design	□ Lever handle model	□ Finish
0 PC 72 mm – round	0 RONDO H1.0	1 Silver/EV1 look
1 PC 72 mm – square	4 BELCANTO-PANIK H3.0	3 PVD brass
2 CH-RC 74 mm – round	6 OFFICE H4.0	7 Traffic white (RAL 9016)
3 CH-RC 74 mm – square	7 LEGATO H5.0	8 Satin stainless steel
	8 TREMOLO H6.0	
	9 DIRIGENT H7.0	

Passive leaf: vertical lever with short backplate

Order number*

B-72910-□□-0-□

Passive leaf: vertical lever with long backplate

Order number*

B-72920-□□-0-□

□ Cylinder hole-type – backplate design	□ Lever handle model	□ Finish
0 Without PC hole – round	0 RONDO H1.0	1 Silver/EV1 look
1 Without PC hole – square	4 BELCANTO-PANIK H3.0	3 PVD brass
	6 OFFICE H4.0	7 Traffic white (RAL 9016)
	7 LEGATO H5.0	8 Satin stainless steel
	8 TREMOLO H6.0	
	9 DIRIGENT H7.0	

Accessories: spindles and screws see from page 446.

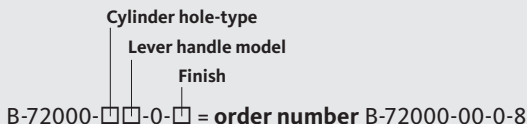
*Ordering example

Active leaf: lever set with rosettes = B-72000-□□-0-□

Cylinder hole-type – PC = 0 [refer to table]

Lever handle model RONDO H1.0 = 0 [refer to table]

Finish 8 = satin stainless steel [refer to table]



Combination PZO 110

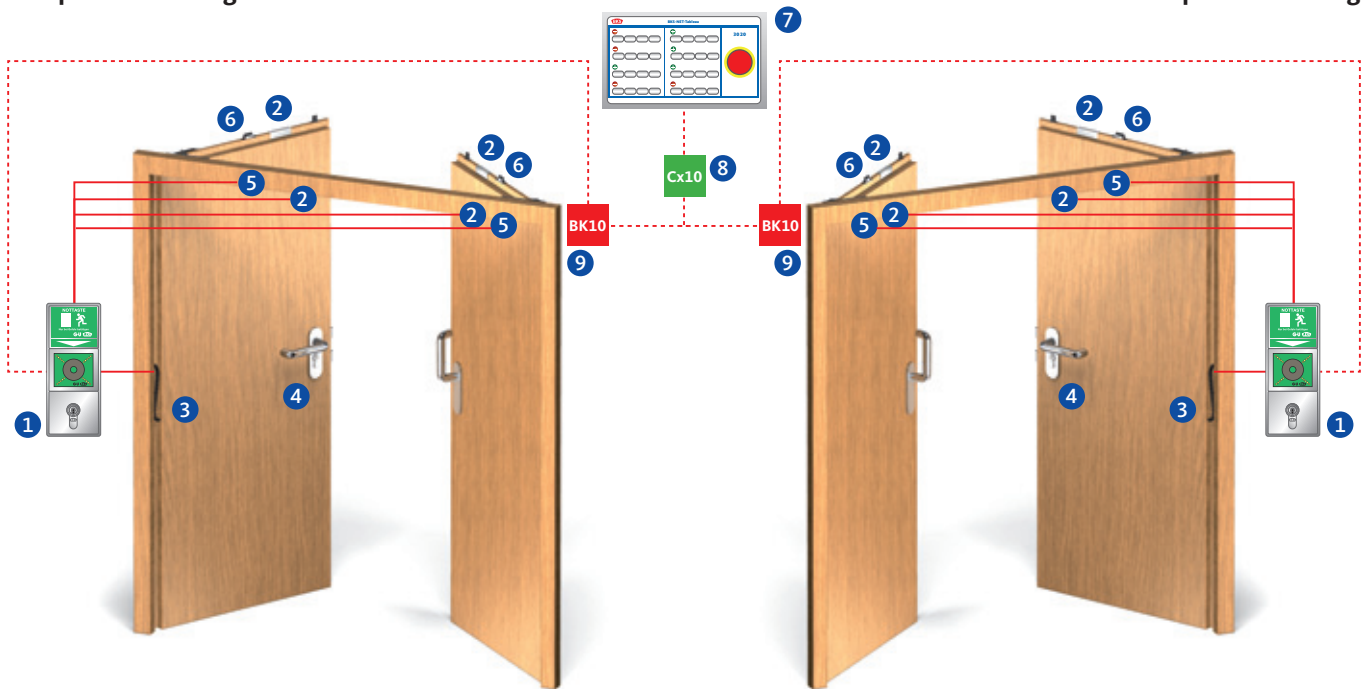
Panic function, 2-leaf, active leaf with top-locking feature



Escape door locking

Centralised control and visualisation

Escape door locking



Monitoring contacts

Product	Cylinder cam monitoring	Latch monitoring	Deadbolt monitoring	Follower monitoring	Exterior lever handle electrically coupled	Combinable with electric strike
2331 / 2333 / 2335	■	■	■	■	–	■
2101	■	■	–	■	–	–
2103	■	■	–	■	–	–

Escape door locking

No.	Product	Description	See page
1	B 5580 09xx	Escape door terminal set with integral power supply unit	452
2	B 5469 0010	Door contact	463
3	6-xxxx-xx-x-x	Cable link	416
4	B 5490 xxxx	Connecting cable	419
5	B 5465 xxxx	Electric escape door strike	414
6	B 5495 0010	Latch lock	414

Centralised control and visualisation

No.	Product	Description	See page
7	B 5580 0611	BKS-NET tablet with pre-installed software, licence included, for max. 8 doors (without collective display)	464
8	B 5580 0421	CU10 building bus coupler (USB interface)	469
9	B 5580 0411	BK10 in-wall bus coupler (without frame/cover)	469

Door closer/carrier bar

For detailed order information please refer to our door closer order catalogue.

Combination PZAS 110

Panic function, 2-leaf, automatic locking of passive leaf, SECURY



Functional description

Active leaf

Inside

The active leaf can be opened by the lever handle at any time (panic function).

With a SECURY lock, the door is automatically locked without having to use the key.

Outside

The active leaf is opened using the key and lever handle.

With a SECURY lock, the door is automatically locked without having to use the key.

- Panic function B
- Panic function C

Passive leaf

Inside

Active and passive leaf can be opened by the vertical lever at any time (panic function on both leaves). Upon closing, the passive leaf is locked automatically via the vertical rods. If the door is opened by the passive leaf, the carrier bar ensures that the active leaf is carried along far enough to activate the door-leaf coordinator, so the leaves can close in the appropriate sequence. This also guarantees that the two leaves cannot jam, not even with a small clearance. The closing sequence of the door is controlled by the door-leaf coordinator integrated in the door closer.

Possible applications

- Emergency exits to EN 179 in areas not accessible to the public
- Suitable for fire and smoke protection doors
- As the lever handle is on the outside, the door can be used as a connecting door from both sides depending on the particular panic function
- Suitable for very high entrance doors with a tendency to warp (only by agreement with the door fabricator and in compliance with approvals)
- Automatic multi-point locking
- Enhanced burglar protection and gasket pressure thanks to the additional locking
- Optional combination with electric access control and/or escape door security components (see the following pages)

Recommendation

- Entrance doors to administrative and office buildings
- Homes for the elderly
- Service doors
- Museums
- Airports
- Stadiums
- Administrative areas

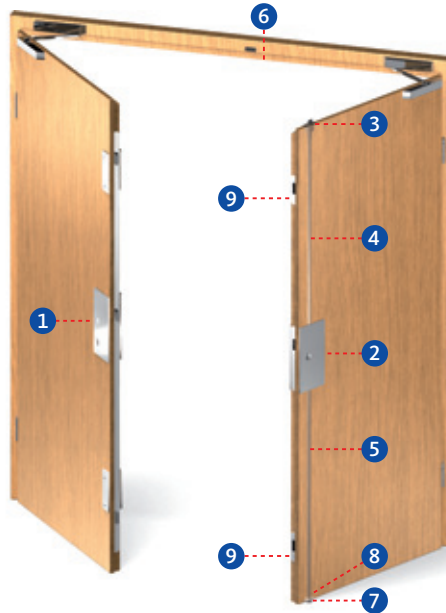
Combination PZAS 110

Panic function, 2-leaf, automatic locking of passive leaf, SECURY



Active leaf:

① = SECURY panic lock



Passive leaf:

- ② = Shoot-bolt lock
- ③ = Passive leaf control lock
- ④ = Vertical rod
- ⑤ = Solid vertical rod
- ⑥ = Striker
- ⑦ = Floor striker
- ⑧ = Guide plate for vertical rod
- ⑨ = Striker

Active leaf							
No.	Product/ Panic function	Backset	20 mm faceplate for rebated doors		24 mm faceplate for flush doors		Additional PC/CH-RC versions see page
			DIN LH	DIN RH	DIN LH	DIN RH	
1	SECURY 2111/B	55	6-38725-09-L-8	6-38725-09-R-8	6-38725-12-L-8	6-38725-12-R-8	356
		65	6-38725-02-L-8	6-38725-02-R-8	6-38725-13-L-8	6-38725-13-R-8	356
		80	6-38725-10-L-8	6-38725-10-R-8	6-38725-14-L-8	6-38725-14-R-8	356
	SECURY 2113/C	55	6-39008-08-L-8	6-39008-08-R-8	6-39008-11-L-8	6-39008-11-R-8	360
		65	6-39008-09-L-8	6-39008-09-R-8	6-39008-12-L-8	6-39008-12-R-8	360
		80	6-39008-10-L-8	6-39008-10-R-8	6-39008-13-L-8	6-39008-13-R-8	360
SECURY 2171/C electrically coupled	65	6-39014-06-L-8	6-39014-06-R-8	6-39014-07-L-8	6-39014-07-R-8	372	

Passive leaf							
No.	Product	Backset	Angled faceplate 20 x 12 mm		Lipped faceplate		Additional versions see page
			DIN LH	DIN RH	DIN LH	DIN RH	
2	2189	65	B 2189 0009	B 2189 0008	B 2189 0001	B 2189 0000	342+344
		80	B 2189 0011	B 2189 0010	B 2189 0003	B 2189 0002	342+344
		100	B 2189 0013	B 2189 0012	B 2189 0005	B 2189 0004	342+344
No.	Product	Backset	Faceplate 20 mm		Faceplate 24 mm		See page
3	1895	65	B 1895 0002		B 1895 0003		379
		80 + 100	B 1895 0004		B 1895 0005		379
No.	Product	Backset	Rod length	For door heights up to			See page
4	9036	65, 80, 100	1135 mm	2250 mm	B 9036 0001		403
			1385 mm	2500 mm	B 9036 0002		403
5	9006	Solid	1187 mm	-	B 9006 0004		402
No.	Product					See page	
6	9000	For 1895	Non-handed		B 9000 0490		391
7	9009 or B-0028	B 9009 0001 or B-00280-20-0-8					404
8	9019	B 9019 0001					405
9	9-38551	9-38551-xx-x-xxx					401
	6-31985	6-31985-xx-x-x					400

Combination PZAS 110

Panic function, 2-leaf, automatic locking of passive leaf, SECURITY



Active leaf: lever set with rosettes

Order number*

B-72000-□□-0-□

□ Cylinder hole-type	□ Lever handle model	□ Finish
0 PC	0 RONDO H1.0	1 Silver/EV1 look
2 CH-RC	4 BELCANTO-PANIK H3.0	3 PVD brass
	6 OFFICE H4.0	7 Traffic white (RAL 9016)
	7 LEGATO H5.0	8 Satin stainless steel
	8 TREMOLO H6.0	
	9 DIRIGENT H7.0	

Passive leaf: vertical lever with rosette

Order number*

B-72900-□□-0-□

□ Backplate design	□ Lever handle model	□ Finish
0 Round	0 RONDO H1.0	1 Silver/EV1 look
	4 BELCANTO-PANIK H3.0	3 PVD brass
	6 OFFICE H4.0	7 Traffic white (RAL 9016)
	7 LEGATO H5.0	8 Satin stainless steel
	8 TREMOLO H6.0	
	9 DIRIGENT H7.0	

Active leaf: lever set with short backplates

Order number*

B-72010-□□-0-□

Active leaf: lever set with long backplates

Order number*

B-72020-□□-0-□

□ Cylinder hole-type – backplate design	□ Lever handle model	□ Finish
0 PC 72 mm – round	0 RONDO H1.0	1 Silver/EV1 look
1 PC 72 mm – square	4 BELCANTO-PANIK H3.0	3 PVD brass
	6 OFFICE H4.0	7 Traffic white (RAL 9016)
2 CH-RC 74 mm – round	7 LEGATO H5.0	8 Satin stainless steel
	8 TREMOLO H6.0	
3 CH-RC 74 mm – square	9 DIRIGENT H7.0	

Passive leaf: vertical lever with short backplate

Order number*

B-72910-□□-0-□

Passive leaf: vertical lever with long backplate

Order number*

B-72920-□□-0-□

□ Cylinder hole-type – backplate design	□ Lever handle model	□ Finish
0 Without PC hole – round	0 RONDO H1.0	1 Silver/EV1 look
1 Without PC hole – square	4 BELCANTO-PANIK H3.0	3 PVD brass
	6 OFFICE H4.0	7 Traffic white (RAL 9016)
	7 LEGATO H5.0	8 Satin stainless steel
	8 TREMOLO H6.0	
	9 DIRIGENT H7.0	

Accessories: spindles and screws see from page 446.

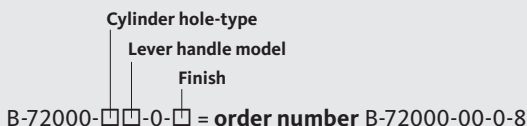
*Ordering example

Active leaf: lever set with rosettes = B-72000-□□-0-□

Cylinder hole-type – PC = 0 [refer to table]

Lever handle model RONDO H1.0 = 0 [refer to table]

Finish 8 = satin stainless steel [refer to table]



Combination PZAS 110

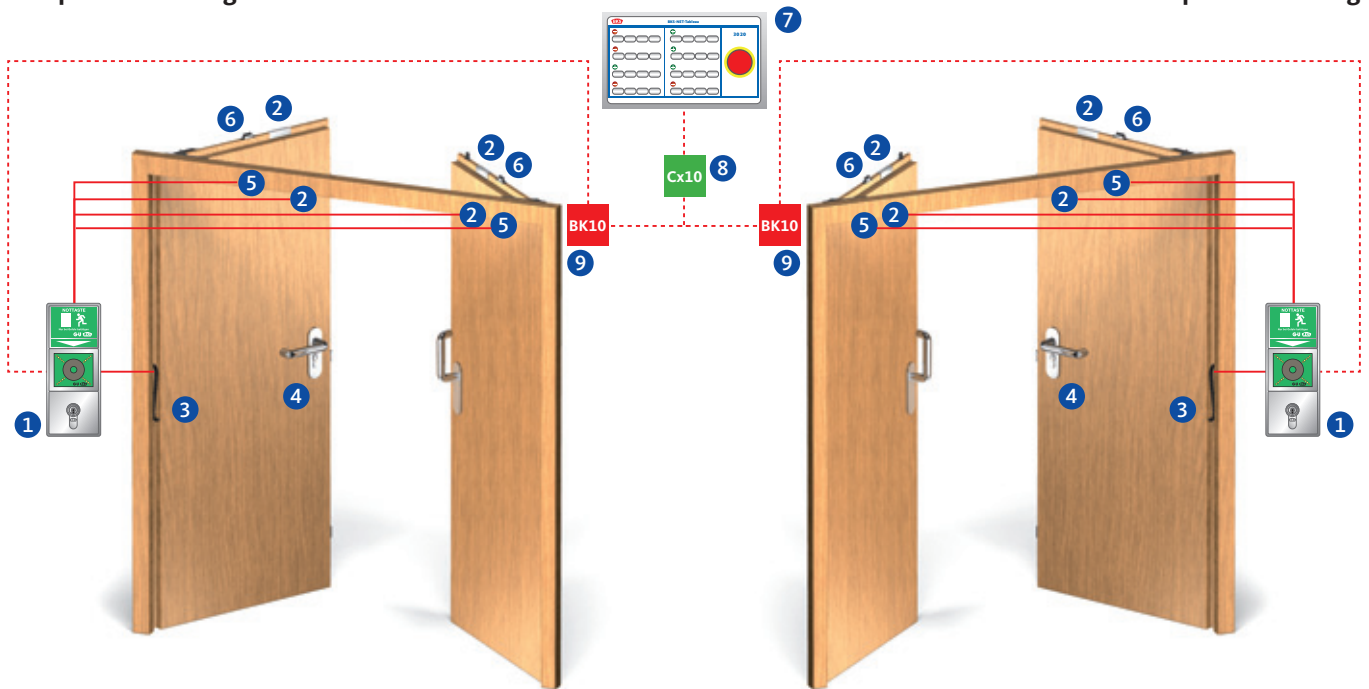
Panic function, 2-leaf, automatic locking of passive leaf, SECURITY



Escape door locking

Centralised control and visualisation

Escape door locking



Monitoring contacts

Product	Cylinder cam monitoring	Latch monitoring	Deadbolt monitoring	Follower monitoring	Exterior lever handle electrically coupled	Combinable with electric strike	With A-opener (motor)
6-3xxxx-xx-x	-	-	■	-	-	-	■

Escape door locking

No.	Product	Description	See page
1	B 5580 09xx	Escape door terminal set with integral power supply unit	452
2	B 5469 0010	Door contact	463
3	6-xxxxx-xx-x-x	Cable link	416
4	B 5490 xxxx	Connecting cable	419
5	B 5465 xxxx	Electric escape door strike	414
6	B 5495 0010	Latch lock	414

Centralised control and visualisation

No.	Product	Description	See page
7	B 5580 0611	BKS-NET tablet with pre-installed software, licence included, for max. 8 doors (without collective display)	464
8	B 5580 0421	CU10 building bus coupler (USB interface)	469
9	B 5580 0411	BK10 in-wall bus coupler (without frame/cover)	469

Door closer/carrier bar

For detailed order information please refer to our door closer order catalogue.

Combination PZA 170

Panic function, 2-leaf, automatic locking of passive leaf



Inside



Outside

Functional description

Active leaf

Inside

The active leaf can be opened by the lever handle at any time (panic function).

With series 23, the door is locked with the key.

With series 21, the door locks automatically without a key.

Outside

The active leaf can only be opened with the key.

With series 23, the door is locked with the key.

With series 21, the door locks automatically without a key.

– Panic function E

Passive leaf

Inside

Active and passive leaf can be opened by the vertical lever at any time (panic function on both leaves). Upon closing, the passive leaf is locked automatically via the vertical rods. If the door is opened by the passive leaf, the carrier bar ensures that the active leaf is carried along far enough to activate the door-leaf coordinator, so the leaves can close in the appropriate sequence. This also guarantees that the two leaves cannot jam, not even with a small clearance. The closing sequence of the door is controlled by the door-leaf coordinator integrated in the door closer.

Possible applications

- Emergency exits to EN 179 in areas not accessible to the public
- Suitable for fire and smoke protection doors
- As the fixed knob or push/pull handle is on the outside, access from the outside is only possible using the key
- Optional combination with electric access control and/or escape door security components (see the following pages)

Recommendation

- Museums
- Airports
- Stadiums
- Administrative areas
- Schools and universities
- Hospitals

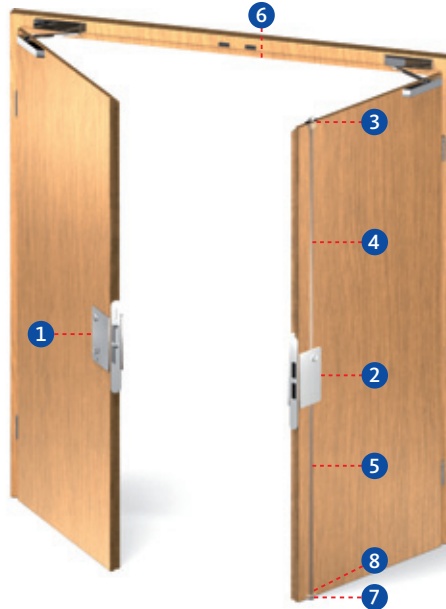
Combination PZA 170

Panic function, 2-leaf, automatic locking of passive leaf



Active leaf:

1 = Panic lock



Passive leaf:

- 2 = Shoot-bolt lock
- 3 = Passive-leaf control lock
- 4 = Vertical rod
- 5 = Solid vertical rod
- 6 = Striker
- 7 = Floor striker
- 8 = Guide plate for vertical rod

Active leaf

No.	Product/ Panic function	Backset	20 mm faceplate for rebated doors		24 mm faceplate for flush doors	Additional PC/CH-RC versions see page
			DIN LH	DIN RH	Non-handed	
1	2327/E	55	B-23270-00-L-8	B-23270-00-R-8	B-23270-25-L-8	242
		65	B-23270-02-L-8	B-23270-02-R-8	B-23270-27-L-8	242
		80	B-23270-03-L-8	B-23270-03-R-8	B-23270-28-L-8	242
	2117/E self-locking	65	B-21170-02-L-8	B-21170-02-R-8	B-21170-42-L-8	320
		80	B-21170-03-L-8	B-21170-03-R-8	B-21170-43-L-8	320
		2117 / E with key-controlled latch holdback	65	B-21170-07-L-8	B-21170-07-R-8	B-21170-47-L-8
80	B-21170-08-L-8		B-21170-08-R-8	B-21170-48-L-8	320	

Passive leaf

No.	Product	Backset	20 mm faceplate for rebated doors		24 mm faceplate for flush doors		Additional versions see page
			DIN LH	DIN RH	DIN LH	DIN RH	
2	2390 For series 23	65	B 2390 0278	B 2390 0277	B 2390 0202	B 2390 0201	276
		80	B 2390 0310	B 2390 0309	B 2390 0222	B 2390 0221	276
	2392 For electric strike	65	B 2392 6020	B 2392 6021	B 2392 6040	B 2392 6041	282+284
		80	B 2392 6022	B 2392 6023	B 2392 6042	B 2392 6043	282+284
	2190 For series 21	65	B 2190 1007	B 2190 1006	B 2190 1013	B 2190 1012	346+348
		80	B 2190 1009	B 2190 1008	B 2190 1015	B 2190 1014	346+348
3	1895	65	B 1895 0002		B 1895 0003		379
		80 + 100	B 1895 0004		B 1895 0005		379
No.	Product	Backset	Faceplate 20 mm		Faceplate 24 mm		See page
4	9006	With end plug	Rod length	1500 mm	B 9006 0013		402
5	9006	Solid	Rod length	1187 mm	B 9006 0004		402
6	9000	For 1895	Non-handed		B 9000 0490		391
7	9009/B-0028	B 9009 0001 or B-00280-20-0-8					404
8	9019	B 9019 0001					405

Combination PZA 170

Panic function, 2-leaf, automatic locking of passive leaf



Active leaf: entrance set with rosettes

Order number*		Knob	
B-72200-□□-0-□		Round knob K1.0	
B-72400-□□-0-□		Ball knob K2.0	
□ Cylinder hole-type	□ Lever handle model	□ Finish	
0 PC	0 RONDO H1.0	1	Silver/EV1 look
2 CH-RC	4 BELCANTO-PANIK H3.0	3	PVD brass
	6 OFFICE H4.0	7	Traffic white (RAL 9016)
	7 LEGATO H5.0	8	Satin stainless steel
	8 TREMOLO H6.0		
	9 DIRIGENT H7.0		

Active leaf: entrance set with short backplates

Order number*		Knob	
B-72210-□□-0-□		Round knob K1.0	
B-72410-□□-0-□		Ball knob K2.0	
Active leaf: entrance set with long backplates			
Order number*		Knob	
B-72220-□□-0-□		Round knob K1.0	
B-72420-□□-0-□		Ball knob K2.0	
□ Cylinder hole-type – backplate design	□ Lever handle model	□ Finish	
0 PC 72 mm – round	0 RONDO H1.0	1	Silver/EV1 look
1 PC 72 mm – square	4 BELCANTO-PANIK H3.0	3	PVD brass
2 CH-RC 74 mm – round	6 OFFICE H4.0	7	Traffic white (RAL 9016)
3 CH-RC 74 mm – square	7 LEGATO H5.0	8	Satin stainless steel
	8 TREMOLO H6.0		
	9 DIRIGENT H7.0		

Passive leaf: vertical lever with rosette

Order number*		Knob	
B-72900-□□-0-□			
□ Backplate design	□ Lever handle model	□ Finish	
0 Round	0 RONDO H1.0	1	Silver/EV1 look
	4 BELCANTO-PANIK H3.0	3	PVD brass
	6 OFFICE H4.0	7	Traffic white (RAL 9016)
	7 LEGATO H5.0	8	Satin stainless steel
	8 TREMOLO H6.0		
	9 DIRIGENT H7.0		

Passive leaf: vertical lever with short backplate

Order number*		Knob	
B-72910-□□-0-□			
Passive leaf: vertical lever with long backplate			
Order number*		Knob	
B-72920-□□-0-□			
□ Cylinder hole-type – backplate design	□ Lever handle model	□ Finish	
0 Without PC hole – round	0 RONDO H1.0	1	Silver/EV1 look
1 Without PC hole – square	4 BELCANTO-PANIK H3.0	3	PVD brass
	6 OFFICE H4.0	7	Traffic white (RAL 9016)
	7 LEGATO H5.0	8	Satin stainless steel
	8 TREMOLO H6.0		
	9 DIRIGENT H7.0		

Accessories: spindles and screws see from page 446.

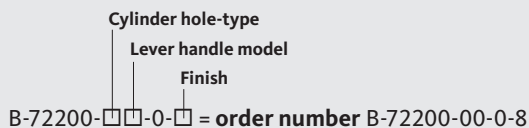
*Ordering example

Active leaf: entrance set with rosettes = B-72200-□□-0-□

Cylinder hole-type – PC = 0 [refer to table]

Lever handle model RONDO H1.0 = 0 [refer to table]

Finish 8 = satin stainless steel [refer to table]



Combination PZA 170

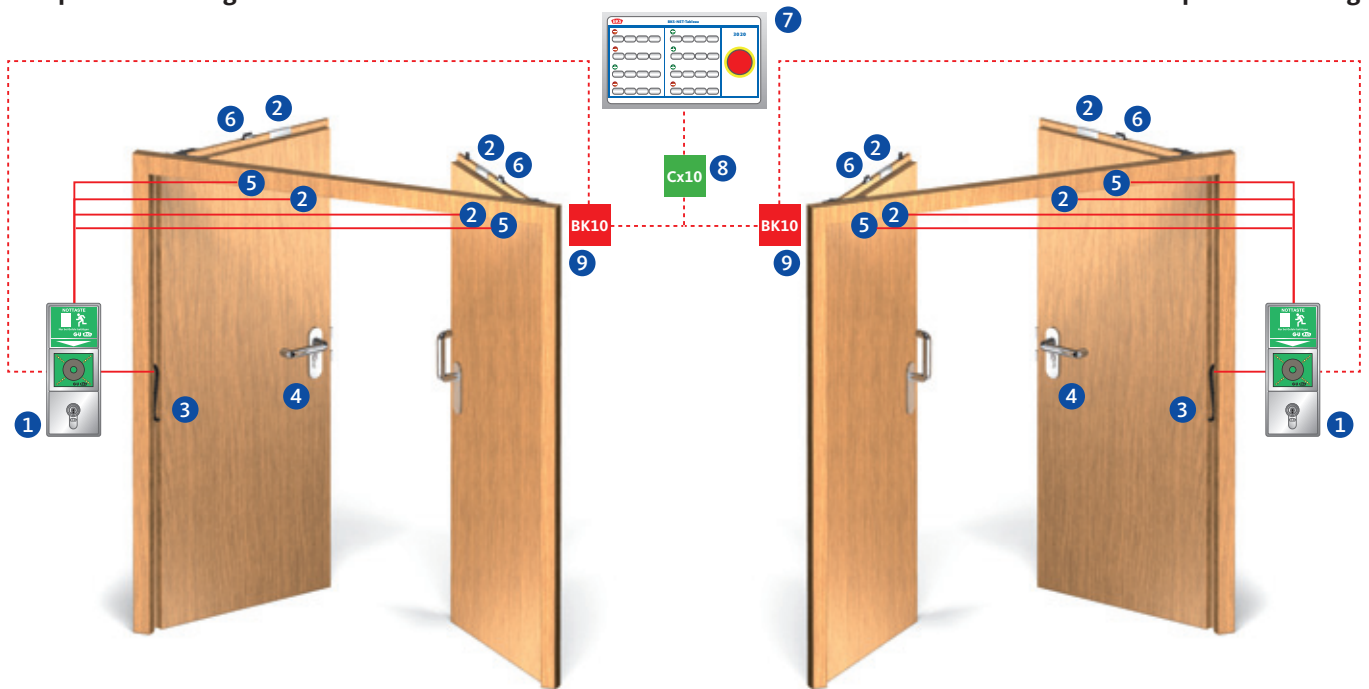
Panic function, 2-leaf, automatic locking of passive leaf



Escape door locking

Centralised control and visualisation

Escape door locking



Monitoring contacts

Product	Cylinder cam monitoring	Latch monitoring	Deadbolt monitoring	Follower monitoring	Exterior lever handle electrically coupled	Combinable with electric strike
2327	■	■	■	■	-	■
2117	■	■	-	■	-	-

Escape door locking

No.	Product	Description	See page
1	B 5580 09xx	Escape door terminal set with integral power supply unit	452
2	B 5469 0010	Door contact	463
3	6-xxxxx-xx-x-x	Cable link	416
4	B 5490 xxxx	Connecting cable	419
5	B 5465 xxxx	Electric escape door strike	414
6	B 5495 0010	Latch lock	414

Centralised control and visualisation

No.	Product	Description	See page
7	B 5580 0611	BKS-NET tablet with pre-installed software, licence included, for max. 8 doors (without collective display)	464
8	B 5580 0421	CU10 building bus coupler (USB interface)	469
9	B 5580 0411	BK10 in-wall bus coupler (without frame/cover)	469

Door closer/carrier bar

For detailed order information please refer to our door closer order catalogue.

Combination PZO 170

Panic function, 2-leaf, active leaf with top-locking feature



Inside



Outside

Functional description

Active leaf

Inside

The active leaf can be opened by the lever handle at any time (panic function).

With series 23, the door is locked with the key.

With series 21, the door locks automatically without a key.

Outside

The active leaf can only be opened with the key.

With series 23, the door is locked with the key.

With series 21, the door locks automatically without a key.

– Panic function E

Passive leaf

Inside

Active and passive leaf can be opened by the vertical lever at any time (panic function on both leaves). Upon closing, the passive leaf is locked automatically via the vertical rods. If the door is opened by the passive leaf, the carrier bar ensures that the active leaf is carried along far enough to activate the door-leaf coordinator, so the leaves can close in the appropriate sequence. This also guarantees that the two leaves cannot jam, not even with a small clearance. The closing sequence of the door is controlled by the door-leaf coordinator integrated in the door closer.

Possible applications

- Emergency exits to EN 179 in areas not accessible to the public
- Suitable for fire and smoke protection doors
- As the fixed knob or push/pull handle is on the outside, access from the outside is only possible using the key
- Suitable for very high entrance doors with a tendency to warp (only by agreement with the door fabricator and in compliance with approvals)
- Enhanced burglar protection and gasket pressure thanks to the additional top-locking feature
- Optional combination with electric access control and/or escape door security components (see the following pages)

Recommendation

- Museums
- Stadiums
- Airports
- Entrance doors for warehouses and office buildings
- Administrative areas

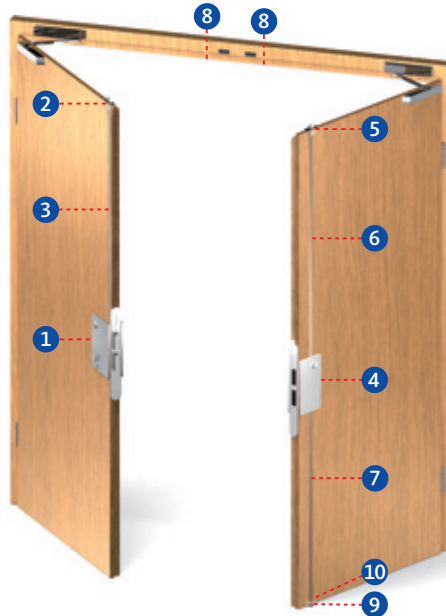
Combination PZO 170

Panic function, 2-leaf, active leaf with top-locking feature



Active leaf:

- 1 = Panic lock with top-locking feature
- 2 = Spring-operated top latch
- 3 = Vertical rod
- 8 = Striker



Passive leaf:

- 4 = Shoot-bolt lock
- 5 = Passive-leaf control lock
- 6 = Vertical rod
- 7 = Solid vertical rod
- 8 = Striker
- 9 = Floor striker
- 10 = Guide plate for vertical rod

Active leaf

No.	Product/ Panic function	Backset	20 mm faceplate for rebated doors		24 mm faceplate for flush doors	Additional PC/CH-RC versions see page
			DIN LH	DIN RH	Non-handed	
1	2337/E	55	B-23370-00-L-8	B-23370-00-R-8	B-23370-35-L-8	260
		65	B-23370-02-L-8	B-23370-02-R-8	B-23370-37-L-8	260
		80	B-23370-03-L-8	B-23370-03-R-8	B-23370-38-L-8	260
	2107/E self-locking	65	B-21070-02-L-8	B-21070-02-R-8	B-21070-42-L-8	308
		80	B-21070-03-L-8	B-21070-03-R-8	B-21070-43-L-8	308
2	1795	65, 80, 100	B 1795 0007		B 1795 0005	378
3	9006	55-100	Rod length	1385 mm	B 9006 0022	402
				1500 mm	B 9006 0013	402

Passive leaf

No.	Product	Backset	20 mm faceplate for rebated doors		24 mm faceplate for flush doors		Additional versions see page
			DIN LH	DIN RH	DIN LH	DIN RH	
4	2390 For series 23	65	B 2390 0278	B 2390 0277	B 2390 0202	B 2390 0201	276
		80	B 2390 0310	B 2390 0309	B 2390 0222	B 2390 0221	276
	2190 For series 21	65	B 2190 1013	B 2190 1012	B 2190 1007	B 2190 1006	346+348
		80	B 2190 1015	B 2190 1014	B 2190 1009	B 2190 1008	346+348
5	1895	65	B 1895 0002		B 1895 0003		379
		80 + 100	B 1895 0004		B 1895 0005		379
6	9006	With end plug	Rod length	1500 mm	B 9006 0013		402
		Solid	Rod length	1187 mm	B 9006 0004		402
8	9000	For 1895	Non-handed		B 9000 0490		391
		For 1795	Non-handed		B 9000 0567		391
9	9009/B-0028	B 9009 0001 or B-00280-20-0-8					404
10	9019	B 9019 0001					405

Combination PZO 170

Panic function, 2-leaf, active leaf with top-locking feature



Active leaf: entrance set with rosettes

Order number*		Knob	
B-72200-□□-0-□		Round knob K1.0	
B-72400-□□-0-□		Ball knob K2.0	
□ Cylinder hole-type	□ Lever handle model	□ Finish	
0 PC	0 RONDO H1.0	1	Silver/EV1 look
2 CH-RC	4 BELCANTO-PANIK H3.0	3	PVD brass
	6 OFFICE H4.0	7	Traffic white (RAL 9016)
	7 LEGATO H5.0	8	Satin stainless steel
	8 TREMOLO H6.0		
	9 DIRIGENT H7.0		

Active leaf: entrance set with short backplates

Order number*		Knob	
B-72210-□□-0-□		Round knob K1.0	
B-72410-□□-0-□		Ball knob K2.0	

Active leaf: entrance set with long backplates

Order number*		Knob	
B-72220-□□-0-□		Round knob K1.0	
B-72420-□□-0-□		Ball knob K2.0	
□ Cylinder hole-type – backplate design	□ Lever handle model	□ Finish	
0 PC 72 mm – round	0 RONDO H1.0	1	Silver/EV1 look
1 PC 72 mm – square	4 BELCANTO-PANIK H3.0	3	PVD brass
	6 OFFICE H4.0	7	Traffic white (RAL 9016)
2 CH-RC 74 mm – round	7 LEGATO H5.0	8	Satin stainless steel
	8 TREMOLO H6.0		
	9 DIRIGENT H7.0		
3 CH-RC 74 mm – square	6 OFFICE H4.0	7	Traffic white (RAL 9016)
	7 LEGATO H5.0	8	Satin stainless steel
	8 TREMOLO H6.0		
	9 DIRIGENT H7.0		

Passive leaf: vertical lever with rosette

Order number*		Knob	
B-72900-□□-0-□		Round knob K1.0	
□ Backplate design	□ Lever handle model	□ Finish	
0 Round	0 RONDO H1.0	1	Silver/EV1 look
	4 BELCANTO-PANIK H3.0	3	PVD brass
	6 OFFICE H4.0	7	Traffic white (RAL 9016)
	7 LEGATO H5.0	8	Satin stainless steel
	8 TREMOLO H6.0		
	9 DIRIGENT H7.0		

Passive leaf: vertical lever with short backplate

Order number*		Knob	
B-72910-□□-0-□		Round knob K1.0	

Passive leaf: vertical lever with long backplate

Order number*		Knob	
B-72920-□□-0-□		Round knob K1.0	
□ Cylinder hole-type – backplate design	□ Lever handle model	□ Finish	
0 Without PC hole – round	0 RONDO H1.0	1	Silver/EV1 look
1 Without PC hole – square	4 BELCANTO-PANIK H3.0	3	PVD brass
	6 OFFICE H4.0	7	Traffic white (RAL 9016)
	7 LEGATO H5.0	8	Satin stainless steel
	8 TREMOLO H6.0		
	9 DIRIGENT H7.0		

Accessories: spindles and screws see from page 446.

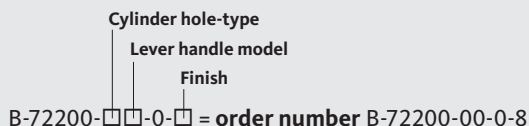
*Ordering example

Active leaf: entrance set with rosettes = B-72200-□□-0-□

Cylinder hole-type – PC = 0 [refer to table]

Lever handle model RONDO H1.0 = 0 [refer to table]

Finish 8 = satin stainless steel [refer to table]



Combination PZO 170

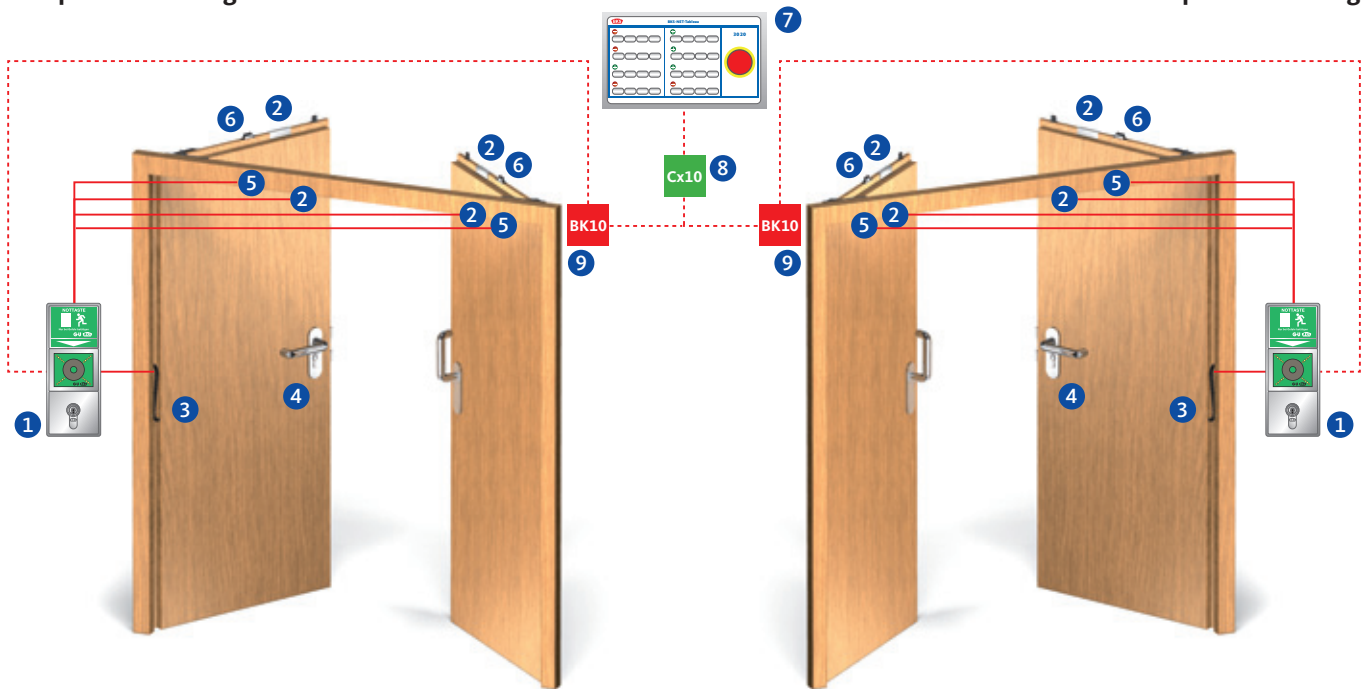
Panic function, 2-leaf, active leaf with top-locking feature



Escape door locking

Centralised control and visualisation

Escape door locking



Monitoring contacts

Product	Cylinder cam monitoring	Latch monitoring	Deadbolt monitoring	Follower monitoring	Exterior lever handle electrically coupled	Combinable with electric strike
2337	■	■	■	■	-	■
2107	■	■	-	■	-	-

Escape door locking

No.	Product	Description	See page
1	B 5580 09xx	Escape door terminal set with integral power supply unit	452
2	B 5469 0010	Door contact	463
3	6-xxxx-xx-x-x	Cable link	416
4	B 5490 xxxx	Connecting cable	419
5	B 5465 xxxx	Electric escape door strike	414
6	B 5495 0010	Latch lock	414

Centralised control and visualisation

No.	Product	Description	See page
7	B 5580 0611	BKS-NET tablet with pre-installed software, licence included, for max. 8 doors (without collective display)	464
8	B 5580 0421	CU10 building bus coupler (USB interface)	469
9	B 5580 0411	BK10 in-wall bus coupler (without frame/cover)	469

Door closer/carrier bar

For detailed order information please refer to our door closer order catalogue.

Combination PZA 210

Panic function, 2-leaf, automatic locking of passive leaf



Inside



Outside

Functional description

Active leaf

Inside

The active leaf can be opened by the lever handle at any time (panic function). Locking is done by key.

Outside

The active leaf can only be opened with the key. Locking is done by key.

– Panic function P

Passive leaf

Inside

Active and passive leaf can be opened by the vertical lever at any time (panic function on both leaves). Upon closing, the passive leaf is locked automatically via the vertical rods. If the door is opened by the passive leaf, the carrier bar ensures that the active leaf is carried along far enough to activate the door-leaf coordinator, so the leaves can close in the appropriate sequence. This also guarantees that the two leaves cannot jam, not even with a small clearance. The closing sequence of the door is controlled by the door-leaf coordinator integrated in the door closer.

Possible applications

- Emergency exits to EN 179 in areas not accessible to the public
- As the fixed knob or push/pull handle is on the outside, access from the outside is only possible using the key
- Optional combination with electric access control and/or escape door security components (see the following pages)

Recommendation

- Museums
- Stadiums
- Airports
- Entrance doors for warehouses and office buildings
- Administrative areas

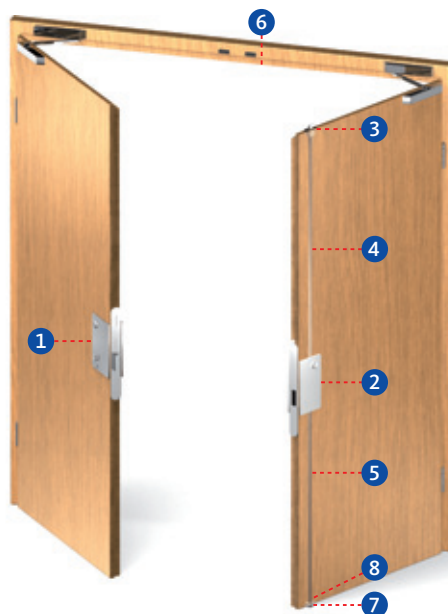
Combination PZA 210

Panic function, 2-leaf, automatic locking of passive leaf



Active leaf:

1 = Panic lock



Passive leaf:

- 2 = Shoot-bolt lock
- 3 = Passive-leaf control lock
- 4 = Vertical rod
- 5 = Solid vertical rod
- 6 = Striker
- 7 = Floor striker
- 8 = Guide plate for vertical rod

Active leaf						
No.	Product/ Panic function	Backset	20 mm faceplate for rebated doors		24 mm faceplate for flush doors	Additional PC/CH-RC versions see page
			DIN LH	DIN RH	Non-handed	
1	2349/P	65	B-23490-02-L-8	B-23490-02-R-8	B-23490-22-0-8	272
		80	B-23490-03-L-8	B-23490-03-R-8	B-23490-23-0-8	272

Passive leaf							
No.	Product	Backset	20 mm faceplate for rebated doors		24 mm faceplate for flush doors		Additional versions see page
			DIN LH	DIN RH	DIN LH	DIN RH	
2	2391	65	B 2391 0258	B 2391 0257	B 2391 0214	B 2391 0213	280
		80	B 2391 0260	B 2391 0259	B 2391 0218	B 2391 0217	280
No.	Product	Backset	Faceplate 20 mm		Faceplate 24 mm		See page
3	1895	65	B 1895 0002		B 1895 0003		379
		80 + 100	B 1895 0004		B 1895 0005		379
No.	Product					See page	
4	9006	With end plug	Rod length	1500 mm	B 9006 0013		402
5	9006	Solid	Rod length	1187 mm	B 9006 0004		402
6	9000	For 1895	Non-handed		B 9000 0490		391
7	9009/B-0028	B 9009 0001 or B-00280-20-0-8					404
8	9019	B 9019 0001					405

Combination PZA 210

Panic function, 2-leaf, automatic locking of passive leaf



Active leaf: entrance set with rosettes

Order number*		Knob	
B-72200-□□-0-□		Round knob K1.0	
B-72400-□□-0-□		Ball knob K2.0	
□ Cylinder hole-type	□ Lever handle model	□ Finish	
0 PC	0 RONDO H1.0	1	Silver/EV1 look
2 CH-RC	4 BELCANTO-PANIK H3.0	3	PVD brass
	6 OFFICE H4.0	7	Traffic white (RAL 9016)
	7 LEGATO H5.0	8	Satin stainless steel
	8 TREMOLO H6.0		
	9 DIRIGENT H7.0		

Active leaf: entrance set with short backplates

Order number*		Knob	
B-72210-□□-0-□		Round knob K1.0	
B-72410-□□-0-□		Ball knob K2.0	
Active leaf: entrance set with long backplates			
Order number*		Knob	
B-72220-□□-0-□		Round knob K1.0	
B-72420-□□-0-□		Ball knob K2.0	
□ Cylinder hole-type – backplate design	□ Lever handle model	□ Finish	
0 PC 72 mm – round	0 RONDO H1.0	1	Silver/EV1 look
1 PC 72 mm – square	4 BELCANTO-PANIK H3.0	3	PVD brass
2 CH-RC 74 mm – round	6 OFFICE H4.0	7	Traffic white (RAL 9016)
3 CH-RC 74 mm – square	7 LEGATO H5.0	8	Satin stainless steel
	8 TREMOLO H6.0		
	9 DIRIGENT H7.0		

Passive leaf: vertical lever with rosette

Order number*		Knob	
B-72900-□□-0-□		Round knob K1.0	
□ Backplate design	□ Lever handle model	□ Finish	
0 Round	0 RONDO H1.0	1	Silver/EV1 look
	4 BELCANTO-PANIK H3.0	3	PVD brass
	6 OFFICE H4.0	7	Traffic white (RAL 9016)
	7 LEGATO H5.0	8	Satin stainless steel
	8 TREMOLO H6.0		
	9 DIRIGENT H7.0		

Passive leaf: vertical lever with short backplate

Order number*		Knob	
B-72910-□□-0-□		Round knob K1.0	
Passive leaf: vertical lever with long backplate			
Order number*		Knob	
B-72920-□□-0-□		Round knob K1.0	
□ Cylinder hole-type – backplate design	□ Lever handle model	□ Finish	
0 Without PC hole – round	0 RONDO H1.0	1	Silver/EV1 look
1 Without PC hole – square	4 BELCANTO-PANIK H3.0	3	PVD brass
	6 OFFICE H4.0	7	Traffic white (RAL 9016)
	7 LEGATO H5.0	8	Satin stainless steel
	8 TREMOLO H6.0		
	9 DIRIGENT H7.0		

Accessories: spindles and screws see from page 446.

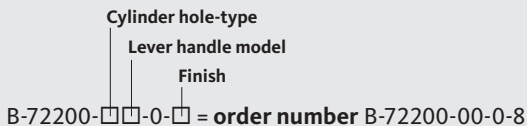
*Ordering example

Active leaf: entrance set with rosettes = B-72200-□□-0-□

Cylinder hole-type – PC = 0 [refer to table]

Lever handle model RONDO H1.0 = 0 [refer to table]

Finish 8 = satin stainless steel [refer to table]



Combination PZA 210

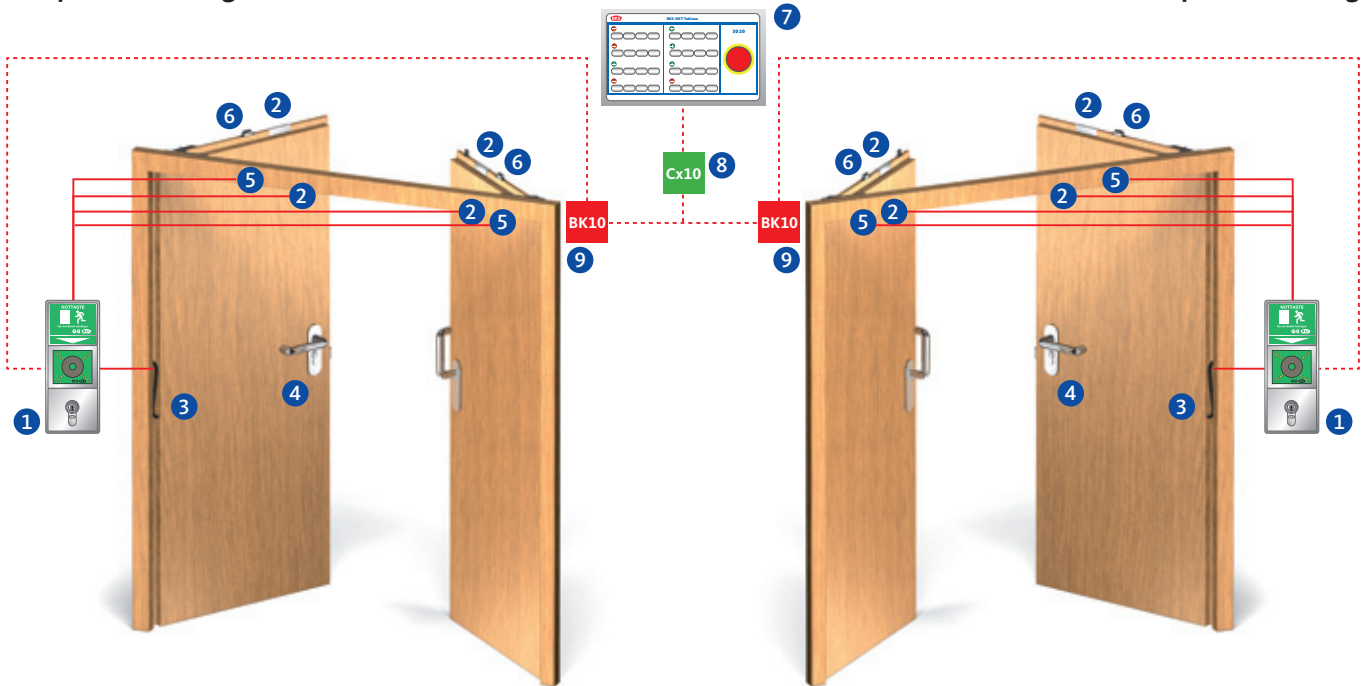
Panic function, 2-leaf, automatic locking of passive leaf



Escape door locking

Centralised control and visualisation

Escape door locking



Monitoring contacts

Product	Cylinder cam monitoring	Latch monitoring	Deadbolt monitoring	Follower monitoring	Exterior lever handle electrically coupled	Combinable with electric strike
2349	■	-	■	■	-	-

Escape door locking

No.	Product	Description	See page
1	B 5580 09xx	Escape door terminal set with integral power supply unit	452
2	B 5469 0010	Door contact	463
3	6-xxxx-xx-x-x	Cable link	416
4	B 5490 xxxx	Connecting cable	419
5	B 5465 xxxx	Electric escape door strike	414
6	B 5495 0010	Latch lock	414

Centralised control and visualisation

No.	Product	Description	See page
7	B 5580 0611	BKS-NET tablet with pre-installed software, licence included, for max. 8 doors (without collective display)	464
8	B 5580 0421	CU10 building bus coupler (USB interface)	469
9	B 5580 0411	BK10 in-wall bus coupler (without frame/cover)	469

Door closer/carrier bar

For detailed order information please refer to our door closer order catalogue.

Combination PZAS 170

Panic function, 2-leaf, automatic locking of passive leaf, SECURY



Inside



Outside

Functional description

Active leaf

Inside

The active leaf can be opened by the lever handle at any time (panic function).

With a SECURY lock, the door is automatically locked without having to use the key.

Outside

The active leaf can only be opened with the key.

With a SECURY lock, the door is automatically locked without having to use the key.

– Panic function E

Passive leaf

Inside

Active and passive leaf can be opened by the vertical lever at any time (panic function on both leaves). Upon closing, the passive leaf is locked automatically via the vertical rods. If the door is opened by the passive leaf, the carrier bar ensures that the active leaf is carried along far enough to activate the door-leaf coordinator, so the leaves can close in the appropriate sequence. This also guarantees that the two leaves cannot jam, not even with a small clearance. The closing sequence of the door is controlled by the door-leaf coordinator integrated in the door closer.

Possible applications

- Emergency exits to EN 179 in areas not accessible to the public
- Suitable for fire and smoke protection doors
- As the fixed knob or push/pull handle is on the outside, access from the outside is only possible using the key
- Suitable for very high entrance doors with a tendency to warp (only by agreement with the door fabricator and in compliance with approvals)
- Automatic multi-point locking
- Enhanced burglar protection and gasket pressure thanks to the additional locking
- Optional combination with electric access control and/or escape door security components (see the following pages)

Recommendation

- Museums
- Airports
- Stadiums
- Administrative areas
- Schools and universities
- Hospitals

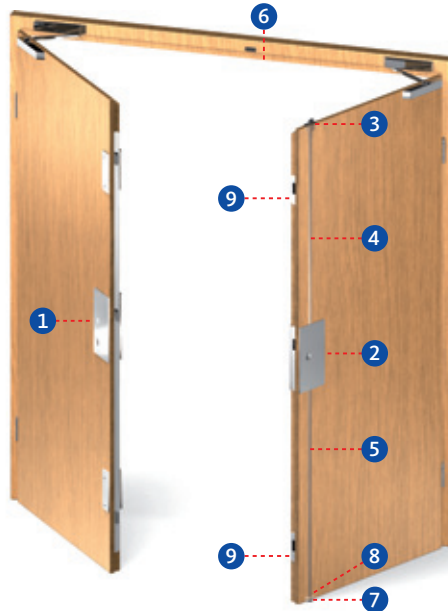
Combination PZAS 170

Panic function, 2-leaf, automatic locking of passive leaf, SECURY



Active leaf:

1 = SECURY panic lock



Passive leaf:

- 2 = Shoot-bolt lock
- 3 = Passive leaf control lock
- 4 = Spring-loaded vertical rod
- 5 = Solid vertical rod
- 6 = Striker
- 7 = Floor striker
- 8 = Guide plate for vertical rod
- 9 = Striker

Active leaf

No.	Product/ Panic function	Backset	20 mm faceplate for rebated doors		24 mm faceplate for flush doors		Additional PC/CH-RC versions see page
			DIN LH	DIN RH	DIN LH	DIN RH	
1	SECURY 2119/E	55	6-38724-09-L-8	6-38724-09-R-8	6-38724-12-L-8	6-38724-12-R-8	364
		65	6-38724-02-L-8	6-38724-02-R-8	6-38724-13-L-8	6-38724-13-R-8	364
		80	6-38724-10-L-8	6-38724-10-R-8	6-38724-14-L-8	6-38724-14-R-8	364

Passive leaf

No.	Product	Backset	Angled faceplate 20 x 12 mm		Lipped faceplate		Additional versions see page
			DIN LH	DIN RH	DIN LH	DIN RH	
2	2189	65	B 2189 0009	B 2189 0008	B 2189 0001	B 2189 0000	342+344
		80	B 2189 0011	B 2189 0010	B 2189 0003	B 2189 0002	342+344
		100	B 2189 0013	B 2189 0012	B 2189 0005	B 2189 0004	342+344
No.	Product	Backset	Faceplate 20 mm		Faceplate 24 mm		See page
3	1895	65	B 1895 0002		B 1895 0003		379
		80 + 100	B 1895 0004		B 1895 0005		379
No.	Product	Backset	Rod length	For door heights up to			See page
4	9036	65, 80, 100	1135 mm	2250 mm	B 9036 0001		403
			1385 mm	2500 mm	B 9036 0002		403
5	9006	Solid	1187 mm	-	B 9006 0004		402
No.	Product					See page	
6	9000	For 1895	Non-handed		B 9000 0490		391
7	9009/B-0028	B 9009 0001 or B-00280-20-0-8					404
8	9019	B 9019 0001					405
9	9-38551	9-38551-xx-x-x					401
	6-31985	6-31985-xx-x-x					400

Combination PZAS 170

Panic function, 2-leaf, automatic locking of passive leaf, SECURY



Inside



Outside

Active leaf: entrance set with rosettes

Order number*		Knob		
B-72200-□□-0-□		Round knob K1.0		
B-72400-□□-0-□		Ball knob K2.0		
□ Cylinder hole-type	□ Lever handle model	□ Finish		
0 PC	0 RONDO H1.0	1	Silver/EV1 look	
2 CH-RC	4 BELCANTO-PANIK H3.0	3	PVD brass	
	6 OFFICE H4.0	7	Traffic white (RAL 9016)	
	7 LEGATO H5.0	8	Satin stainless steel	
	8 TREMOLO H6.0			
	9 DIRIGENT H7.0			

Active leaf: entrance set with short backplates

Order number*		Knob		
B-72210-□□-0-□		Round knob K1.0		
B-72410-□□-0-□		Ball knob K2.0		
Active leaf: entrance set with long backplates		Order number*		
B-72220-□□-0-□		Round knob K1.0		
B-72420-□□-0-□		Ball knob K2.0		
□ Cylinder hole-type – backplate design	□ Lever handle model	□ Finish		
0 PC 72 mm – round	0 RONDO H1.0	1	Silver/EV1 look	
1 PC 72 mm – square	4 BELCANTO-PANIK H3.0	3	PVD brass	
2 CH-RC 74 mm – round	6 OFFICE H4.0	7	Traffic white (RAL 9016)	
3 CH-RC 74 mm – square	7 LEGATO H5.0	8	Satin stainless steel	
	8 TREMOLO H6.0			
	9 DIRIGENT H7.0			

Passive leaf: vertical lever with rosette

Order number*		Knob		
B-72900-□□-0-□		Round knob K1.0		
□ Backplate design	□ Lever handle model	□ Finish		
0 Round	0 RONDO H1.0	1	Silver/EV1 look	
	4 BELCANTO-PANIK H3.0	3	PVD brass	
	6 OFFICE H4.0	7	Traffic white (RAL 9016)	
	7 LEGATO H5.0	8	Satin stainless steel	
	8 TREMOLO H6.0			
	9 DIRIGENT H7.0			

Passive leaf: vertical lever with short backplate

Order number*		Knob		
B-72910-□□-0-□		Round knob K1.0		
Passive leaf: vertical lever with long backplate		Order number*		
B-72920-□□-0-□		Round knob K1.0		
□ Cylinder hole-type – backplate design	□ Lever handle model	□ Finish		
0 Without PC hole – round	0 RONDO H1.0	1	Silver/EV1 look	
1 Without PC hole – square	4 BELCANTO-PANIK H3.0	3	PVD brass	
	6 OFFICE H4.0	7	Traffic white (RAL 9016)	
	7 LEGATO H5.0	8	Satin stainless steel	
	8 TREMOLO H6.0			
	9 DIRIGENT H7.0			

Accessories: spindles and screws see from page 446.

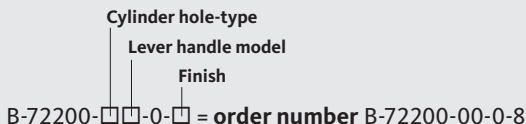
*Ordering example

Active leaf: entrance set with rosettes = B-72200-□□-0-□

Cylinder hole-type – PC = 0 [refer to table]

Lever handle model RONDO H1.0 = 0 [refer to table]

Finish 8 = satin stainless steel [refer to table]



Combination PZAS 170

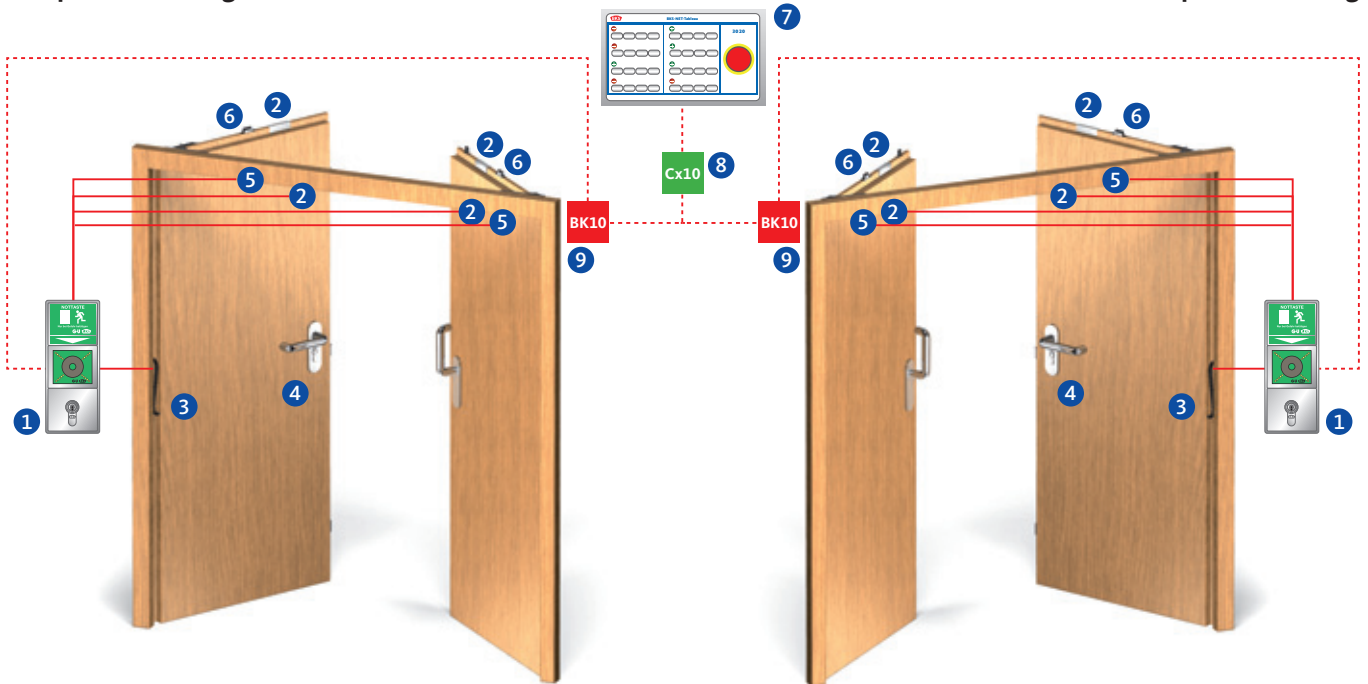
Panic function, 2-leaf, automatic locking of passive leaf, SECURITY



Escape door locking

Centralised control and visualisation

Escape door locking



Monitoring contacts

Product	Cylinder cam monitoring	Latch monitoring	Deadbolt monitoring	Follower monitoring	Exterior lever handle electrically coupled	Combinable with electric strike	With A-opener (motor)
6-38724-xx-x	-	-	■	-	-	-	■

Escape door locking

No.	Product	Description	See page
1	B 5580 09xx	Escape door terminal set with integral power supply unit	452
2	B 5469 0010	Door contact	463
3	6-xxxxx-xx-x-x	Cable link	416
4	B 5490 xxxx	Connecting cable	419
5	B 5465 xxxx	Electric escape door strike	414
6	B 5495 0010	Latch lock	414

Centralised control and visualisation

No.	Product	Description	See page
7	B 5580 0611	BKS-NET tablet with pre-installed software, licence included, for max. 8 doors (without collective display)	464
8	B 5580 0421	CU10 building bus coupler (USB interface)	469
9	B 5580 0411	BK10 in-wall bus coupler (without frame/cover)	469

Door closer/carrier bar

For detailed order information please refer to our door closer order catalogue.

Combination PZA 115

Panic function, 2-leaf, automatic locking of passive leaf



Functional description

Active leaf

Inside

The active leaf can be opened by the push bar at any time (panic function).

With series 23, the door is locked with the key.

With series 21, the door locks automatically without a key.

Outside

The active leaf is opened using the key and lever handle.

With series 23, the door is locked with the key.

With series 21, the door locks automatically without a key.

– Panic function B

– Panic function C

– Panic function D (only for series 23)

Passive leaf

Inside

Active and passive leaf can be opened with the push bar at any time (panic function on both leaves). Upon closing, the passive leaf is locked automatically via the vertical rods. If the door is opened by the passive leaf, the carrier bar ensures that the active leaf is carried along far enough to activate the door-leaf coordinator, so the leaves can close in the appropriate sequence. This also guarantees that the two leaves cannot jam, not even with a small clearance. The closing sequence of the door is controlled by the door-leaf coordinator integrated in the door closer.

Possible applications

- Escape doors to EN 1125 in public buildings
- Suitable for fire and smoke protection doors
- As the lever handle is on the outside, the door can be used as a connecting door from both sides depending on the particular panic function
- Optional combination with electric access control and/or escape door security components (see the following pages)

Recommendation

- Entrance doors to administrative and office buildings
- Homes for the elderly
- Secondary entrance doors
- Shopping centres
- Airports
- Stadiums
- Administrative areas

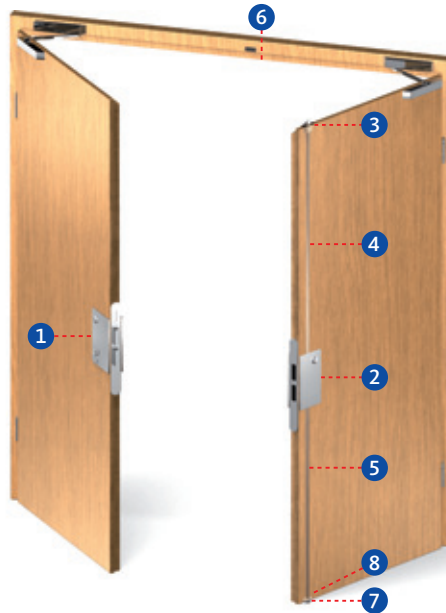
Combination PZA 115

Panic function, 2-leaf, automatic locking of passive leaf



Active leaf:

1 = Panic lock



Passive leaf:

- 2 = Shoot-bolt lock
- 3 = Passive-leaf control lock
- 4 = Vertical rod
- 5 = Solid vertical rod
- 6 = Striker
- 7 = Floor striker
- 8 = Guide plate for vertical rod

Active leaf						
No.	Product/ Panic function	Backset	20 mm faceplate for rebated doors		24 mm faceplate for flush doors	Additional PC/CH-RC versions see page
			DIN LH	DIN RH	Non-handed	
1	2321/B	65	B-23210-04-L-8	B-23210-04-R-8	B-23210-44-L-8	230
		80	B-23210-06-L-8	B-23210-06-R-8	B-23210-46-L-8	230
	2323/C	65	B-23230-04-L-8	B-23230-04-R-8	B-23230-44-L-8	234
		80	B-23230-06-L-8	B-23230-06-R-8	B-23230-46-L-8	234
	2325/D	65	B-23250-04-L-8	B-23250-04-R-8	B-23250-44-L-8	238
		80	B-23250-06-L-8	B-23250-06-R-8	B-23250-46-L-8	238
	2111/B self-locking	65	B-21110-02-L-8	B-21110-02-R-8	B-21110-22-L-8	312
		80	B-21110-03-L-8	B-21110-03-R-8	B-21110-23-L-8	312
	2113/C self-locking	65	B-21130-02-L-8	B-21130-02-R-8	B-21130-22-L-8	316
		80	B-21130-03-L-8	B-21130-03-R-8	B-21130-23-L-8	316

Passive leaf							
No.	Product	Backset	20 mm faceplate for rebated doors		24 mm faceplate for flush doors		Additional versions see page
			DIN LH	DIN RH	DIN LH	DIN RH	
2	2390 For series 23	65	B 2390 0278	B 2390 0277	B 2390 0202	B 2390 0201	276
		80	B 2390 0310	B 2390 0309	B 2390 0222	B 2390 0221	276
	Product	Backset	Lipped faceplate		Angled faceplate		See page
	2392 For electric strike	65	B 2392 6020	B 2392 6021	B 2392 6040	B 2392 6041	282+284
		80	B 2392 6022	B 2392 6023	B 2392 6042	B 2392 6043	282+284
	2190 For series 21	65	B 2190 1007	B 2190 1006	B 2190 1013	B 2190 1012	346+348
80		B 2190 1009	B 2190 1008	B 2190 1015	B 2190 1014	346+348	
No.	Product	Backset	Faceplate 20 mm		Faceplate 24 mm		See page
3	1895	65	B 1895 0002		B 1895 0003		379
		80 + 100	B 1895 0004		B 1895 0005		379
No.	Product						See page
4	9006	With end plug	Rod length	1500 mm	B 9006 0013		402
5	9006	Solid	Rod length	1187 mm	B 9006 0004		402
6	9000	For 1895	Non-handed		B 9000 0490		391
7	9009/B-0028	B 9009 0001 or B-00280-20-0-8					404
8	9019	B 9019 0001					405

Combination PZA 115

Panic function, 2-leaf, automatic locking of passive leaf



Active leaf: half lever set with rosettes

Order number*			
B-72100-□□-0-□			
□ Cylinder hole-type	□ Lever handle model	□ Finish	
0 PC	0 RONDO H1.0	1	Silver/EV1 look
2 CH-RC	4 BELCANTO-PANIK H3.0	3	PVD brass
	6 OFFICE H4.0	7	Traffic white (RAL 9016)
	7 LEGATO H5.0	8	Satin stainless steel
	8 TREMOLO H6.0		
	9 DIRIGENT H7.0		

Active leaf: half lever set with short backplate and lever handle

Order number*			
B-72110-□□-0-□			
Active leaf: half lever set with long backplate			
Order number*			
B-72120-□□-0-□			
□ Cylinder hole-type – backplate design	□ Lever handle model	□ Finish	
0 PC 72 mm – round	0 RONDO H1.0	1	Silver/EV1 look
1 PC 72 mm – square	4 BELCANTO-PANIK H3.0	3	PVD brass
2 CH-RC 74 mm – round	6 OFFICE H4.0	7	Traffic white (RAL 9016)
3 CH-RC 74 mm – square	7 LEGATO H5.0	8	Satin stainless steel
	8 TREMOLO H6.0		
	9 DIRIGENT H7.0		

Active leaf: panic exit device according to EN 1125

Locking element	Cylinder hole-type	Aluminium F1	Satin stainless steel	Page
Push bar	PC 72 mm	B-74000-10-0-1N	B-74000-10-0-8	430
	CH-RC 74 mm	B-74000-20-0-1N	B-74000-20-0-8	430
Crossbar	Length	Aluminium F1	Satin stainless steel	Page
	1150 mm	B 7100 4274	B 7100 4204	430
Locking element	Length	Aluminium F1	Satin stainless steel	Page
Touch bar	1158 mm	B-74410-02-0-1	B-74410-02-0-8	426

Passive leaf: panic exit device according to EN 1125

Locking element	Cylinder hole-type	Aluminium F1	Satin stainless steel	Page
Push bar	Without PC hole	B-74000-00-0-1N	B-74000-00-0-8	430
Crossbar	Length	Aluminium F1	Satin stainless steel	Page
	1150 mm	B 7100 4274	B 7100 4204	430
Locking element	Length	Aluminium F1	Satin stainless steel	Page
Touch bar	1158 mm	B-74410-02-0-1	B-74410-02-0-8	426

Accessories: spindles and screws see from page 446.

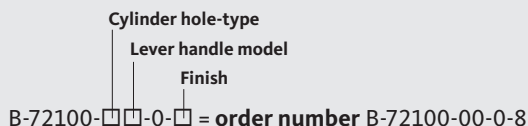
*Ordering example

Active leaf: half lever set with rosettes = B-72100-□□-0-□

Cylinder hole-type – PC = 0 [refer to table]

Lever handle model RONDO H1.0 = 0 [refer to table]

Finish 8 = satin stainless steel [refer to table]



Combination PZA 115

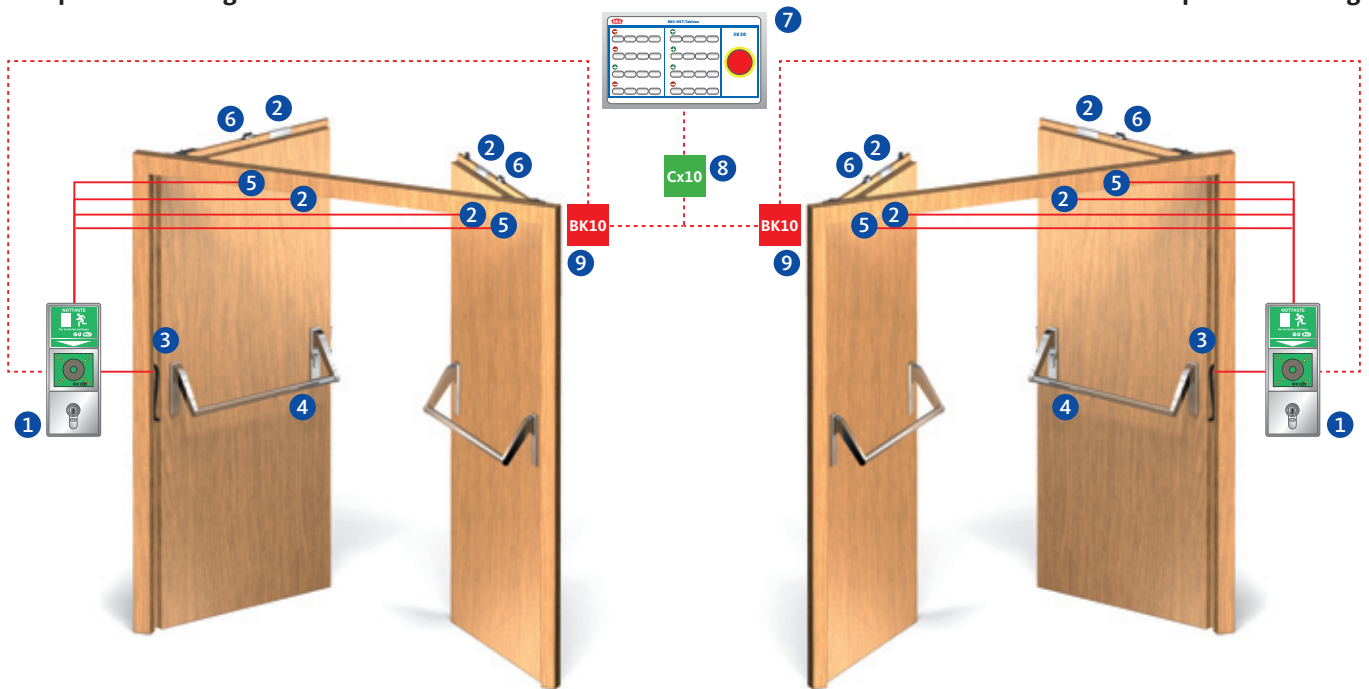
Panic function, 2-leaf, automatic locking of passive leaf



Escape door locking

Centralised control and visualisation

Escape door locking



Monitoring contacts

Product	Cylinder cam monitoring	Latch monitoring	Deadbolt monitoring	Follower monitoring	Exterior lever handle electrically coupled	Combinable with electric strike
2321 / 2323 / 2325	■	■	■	■	-	■
2111	■	■	-	■	-	-
2113	■	■	-	■	-	-
2171	Including	Including	-	Including	■	-

Escape door locking

No.	Product	Description	See page
1	B 5580 09xx	Escape door terminal set with integral power supply unit	452
2	B 5469 0010	Door contact	463
3	6-xxxxx-xx-x-x	Cable link	416
4	B 5490 xxxx	Connecting cable	419
5	B 5465 xxxx	Electric escape door strike	414
6	B 5495 0010	Latch lock	414

Centralised control and visualisation

No.	Product	Description	See page
7	B 5580 0611	BKS-NET tablet with pre-installed software, licence included, for max. 8 doors (without collective display)	464
8	B 5580 0421	CU10 building bus coupler (USB interface)	469
9	B 5580 0411	BK10 in-wall bus coupler (without frame/cover)	469

Door closer/carrier bar

For detailed order information please refer to our door closer order catalogue.

Combination PZO 115

Panic function, 2-leaf, active leaf with top-locking feature



Inside



Outside

Functional description

Active leaf

Inside

The active leaf can be opened by the push bar at any time (panic function).

With series 23, the door is locked with the key.

With series 21, the door locks automatically without a key.

Outside

The active leaf is opened using the key and lever handle.

With series 23, the door is locked with the key.

With series 21, the door locks automatically without a key.

- Panic function B
- Panic function C
- Panic function D (only for series 23)

Passive leaf

Inside

Active and passive leaf can be opened with the push bar at any time (panic function on both leaves). Upon closing, the passive leaf is locked automatically via the vertical rods. If the door is opened by the passive leaf, the carrier bar ensures that the active leaf is carried along far enough to activate the door-leaf coordinator, so the leaves can close in the appropriate sequence. This also guarantees that the two leaves cannot jam, not even with a small clearance. The closing sequence of the door is controlled by the door-leaf coordinator integrated in the door closer.

Possible applications

- Escape doors to EN 1125 in public buildings
- Suitable for fire and smoke protection doors
- As the lever handle is on the outside, the door can be used as a connecting door from both sides depending on the particular panic function
- Suitable for very high entrance doors with a tendency to warp (only by agreement with the door fabricator and in compliance with approvals)
- Enhanced burglar protection and gasket pressure thanks to the additional top-locking feature
- Optional combination with electric access control and/or escape door security components (see the following pages)

Recommendation

- Hallway doors in office buildings
- Homes for the elderly
- Secondary entrance doors
- Shopping centres
- Airports
- Stadiums
- Administrative areas

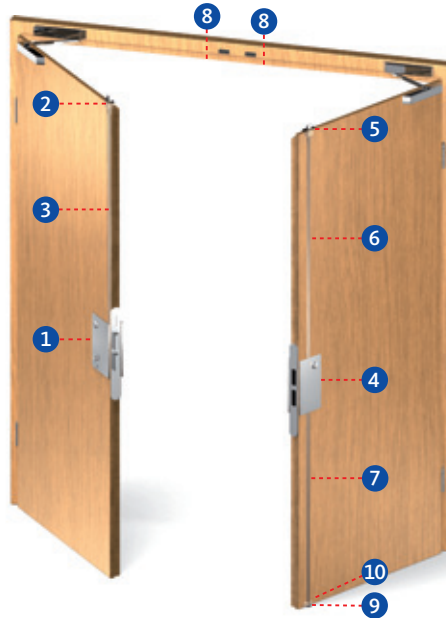
Combination PZO 115

Panic function, 2-leaf, active leaf with top-locking feature



Active leaf:

- 1 = Panic lock with top-locking feature
- 2 = Spring-operated top latch
- 3 = Vertical rod
- 8 = Striker



Passive leaf:

- 4 = Shoot-bolt lock
- 5 = Passive-leaf control lock
- 6 = Vertical rod
- 7 = Solid vertical rod
- 8 = Striker
- 9 = Floor striker
- 10 = Guide plate for vertical rod

Active leaf

No.	Product/ Panic function	Backset	20 mm faceplate for rebated doors		24 mm faceplate for flush doors	Additional PC/CH-RC versions see page
			DIN LH	DIN RH	Non-handed	
1	2331 / B	65	B-23310-04-L-8	B-23310-04-R-8	B-23310-44-L-8	248
		80	B-23310-06-L-8	B-23310-06-R-8	B-23310-46-L-8	248
	2333/C	65	B-23330-04-L-8	B-23330-04-R-8	B-23330-44-L-8	252
		80	B-23330-06-L-8	B-23330-06-R-8	B-23330-46-L-8	252
	2335/D	65	B-23350-04-L-8	B-23350-04-R-8	B-23350-44-L-8	256
		80	B-23350-06-L-8	B-23350-06-R-8	B-23350-46-L-8	256
	2101/B self-locking	65	B-21010-02-L-8	B-21010-02-R-8	B-21010-22-L-8	300
		80	B-21010-03-L-8	B-21010-03-R-8	B-21010-23-L-8	300
	2103/C self-locking	65	B-21030-02-L-8	B-21030-02-R-8	B-21030-22-L-8	304
		80	B-21030-03-L-8	B-21030-03-R-8	B-21030-23-L-8	304
2	1795	65, 80, 100	B 1795 0007		B 1795 0005	378
3	9006	55-100	Rod length	1385 mm	B 9006 0022	402
				1500 mm	B 9006 0013	402

Passive leaf

No.	Product	Backset	20 mm faceplate for rebated doors		24 mm faceplate for flush doors		Additional versions see page
			DIN LH	DIN RH	DIN LH	DIN RH	
4	2390 For series 23	65	B 2390 0278	B 2390 0277	B 2390 0202	B 2390 0201	276
		80	B 2390 0310	B 2390 0309	B 2390 0222	B 2390 0221	276
	2190 For series 21	65	B 2190 1013	B 2190 1012	B 2190 1007	B 2190 1006	346+348
		80	B 2190 1015	B 2190 1014	B 2190 1009	B 2190 1008	346+348
5	1895	65	B 1895 0002		B 1895 0003		379
		80 + 100	B 1895 0004		B 1895 0005		379
6	9006	With end plug	Rod length	1500 mm	B 9006 0013		402
7	9006	Solid	Rod length	1187 mm	B 9006 0004		402
8	9000	For 1895	Non-handed			B 9000 0490	391
		For 1795	Non-handed			B 9000 0567	391
9	9009/B-0028	B 9009 0001 or B-00280-20-0-8					404
10	9019	B 9019 0001					405

Combination PZO 115

Panic function, 2-leaf, active leaf with top-locking feature



Active leaf: half lever set with rosettes

Order number*

B-72100-□□-0-□

□	Cylinder hole-type	□	Lever handle model	□	Finish
0	PC	0	RONDO H1.0	1	Silver/EV1 look
2	CH-RC	4	BELCANTO-PANIK H3.0	3	PVD brass
		6	OFFICE H4.0	7	Traffic white (RAL 9016)
		7	LEGATO H5.0	8	Satin stainless steel
		8	TREMOLO H6.0		
		9	DIRIGENT H7.0		

Active leaf: half lever set with short backplate and lever handle

Order number*

B-72110-□□-0-□

Active leaf: half lever set with long backplate

Order number*

B-72120-□□-0-□

□	Cylinder hole-type – backplate design	□	Lever handle model	□	Finish
0	PC 72 mm – round	0	RONDO H1.0	1	Silver/EV1 look
1	PC 72 mm – square	4	BELCANTO-PANIK H3.0	3	PVD brass
2	CH-RC 74 mm – round	6	OFFICE H4.0	7	Traffic white (RAL 9016)
3	CH-RC 74 mm – square	7	LEGATO H5.0	8	Satin stainless steel
		8	TREMOLO H6.0		
		9	DIRIGENT H7.0		

Active leaf: panic exit device according to EN 1125

Locking element	Cylinder hole-type	Aluminium F1	Satin stainless steel	Page
Push bar	PC 72 mm	B-74000-10-0-1N	B-74000-10-0-8	430
	CH-RC 74 mm	B-74000-20-0-1N	B-74000-20-0-8	430
Crossbar	Length	Aluminium F1	Satin stainless steel	Page
	1150 mm	B 7100 4274	B 7100 4204	430
Locking element	Length	Aluminium F1	Satin stainless steel	Page
Touch bar	1158 mm	B-74410-02-0-1	B-74410-02-0-8	426

Passive leaf: panic exit device according to EN 1125

Locking element	Cylinder hole-type	Aluminium F1	Satin stainless steel	Page
Push bar	Without PC hole	B-74000-00-0-1N	B-74000-00-0-8	430
Crossbar	Length	Aluminium F1	Satin stainless steel	Page
	1150 mm	B 7100 4274	B 7100 4204	430
Locking element	Length	Aluminium F1	Satin stainless steel	Page
Touch bar	1158 mm	B-74410-02-0-1	B-74410-02-0-8	426

Accessories: spindles and screws see from page 446.

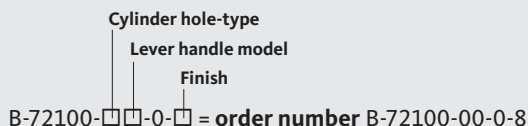
*Ordering example

Active leaf: half lever set with rosettes = B-72100-□□-0-□

Cylinder hole-type – PC = 0 [refer to table]

Lever handle model RONDO H1.0 = 0 [refer to table]

Finish 8 = satin stainless steel [refer to table]



Combination PZO 115

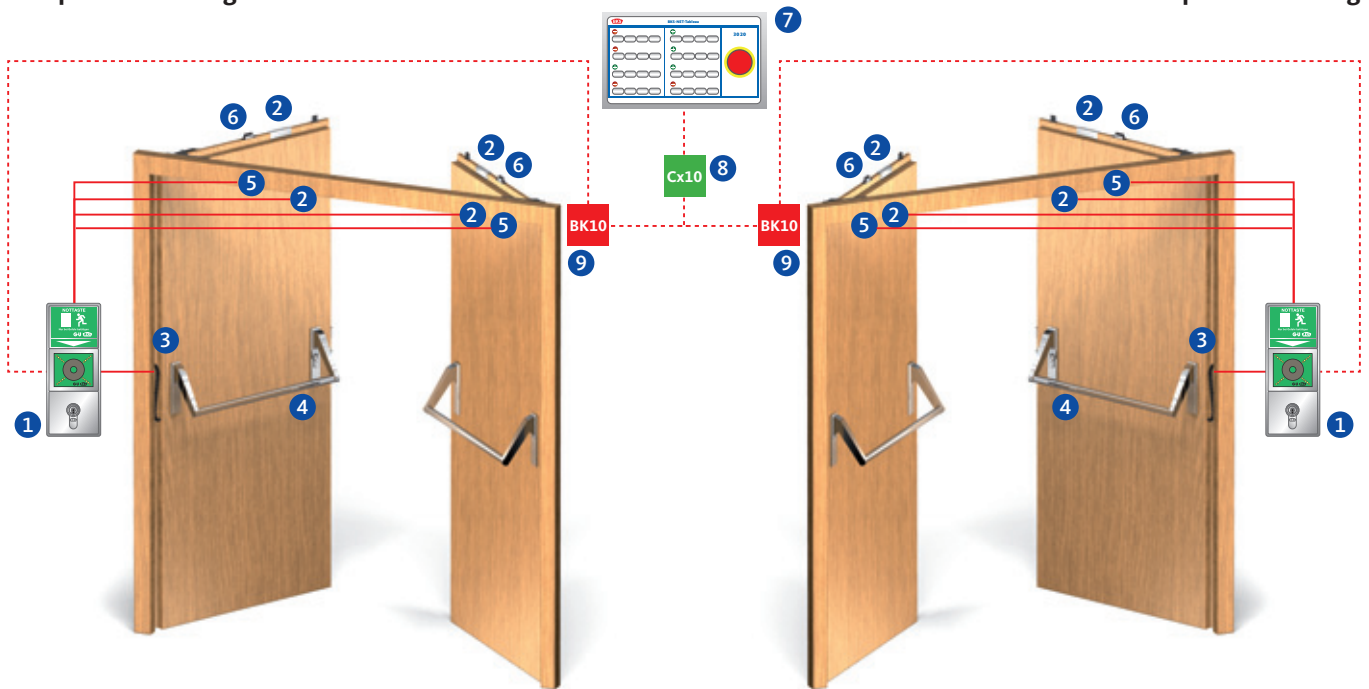
Panic function, 2-leaf, active leaf with top-locking feature



Escape door locking

Centralised control and visualisation

Escape door locking



Monitoring contacts

Product	Cylinder cam monitoring	Latch monitoring	Deadbolt monitoring	Follower monitoring	Exterior lever handle electrically coupled	Combinable with electric strike
2331 / 2333 / 2335	■	■	■	■	-	■
2101/2103	■	■	-	■	-	-

Escape door locking

No.	Product	Description	See page
1	B 5580 09xx	Escape door terminal set with integral power supply unit	452
2	B 5469 0010	Door contact	463
3	6-xxxx-xx-x-x	Cable link	416
4	B 5490 xxxx	Connecting cable	419
5	B 5465 xxxx	Electric escape door strike	414
6	B 5495 0010	Latch lock	414

Centralised control and visualisation

No.	Product	Description	See page
7	B 5580 0611	BKS-NET tablet with pre-installed software, licence included, for max. 8 doors (without collective display)	464
8	B 5580 0421	CU10 building bus coupler (USB interface)	469
9	B 5580 0411	BK10 in-wall bus coupler (without frame/cover)	469

Door closer/carrier bar

For detailed order information please refer to our door closer order catalogue.

Combination PZAS 115

Panic function, 2-leaf, automatic locking of passive leaf, SECURITY



Functional description

Active leaf

Inside

The active leaf can be opened by the lever handle at any time (panic function).

With a SECURITY lock, the door is automatically locked without having to use the key.

Outside

The active leaf is opened using the key and lever handle.

With a SECURITY lock, the door is automatically locked without having to use the key.

- Panic function B
- Panic function C

Passive leaf

Inside

Active and passive leaf can be opened by the vertical lever at any time (panic function on both leaves). Upon closing, the passive leaf is locked automatically via the vertical rods. If the door is opened by the passive leaf, the carrier bar ensures that the active leaf is carried along far enough to activate the door-leaf coordinator, so the leaves can close in the appropriate sequence. This also guarantees that the two leaves cannot jam, not even with a small clearance. The closing sequence of the door is controlled by the door-leaf coordinator integrated in the door closer.

Possible applications

- Escape door to EN 1125 in public buildings
- Suitable for fire and smoke protection doors
- As the lever handle is on the outside, the door can be used as a connecting door from both sides depending on the particular panic function
- Suitable for very high entrance doors with a tendency to warp (only by agreement with the door fabricator and in compliance with approvals)
- Automatic multi-point locking
- Enhanced burglar protection and gasket pressure thanks to the additional locking
- Optional combination with electric access control and/or escape door security components (see the following pages)

Recommendation

- Entrance doors to administrative and office buildings
- Homes for the elderly
- Service doors
- Museums
- Airports
- Stadiums
- Administrative areas

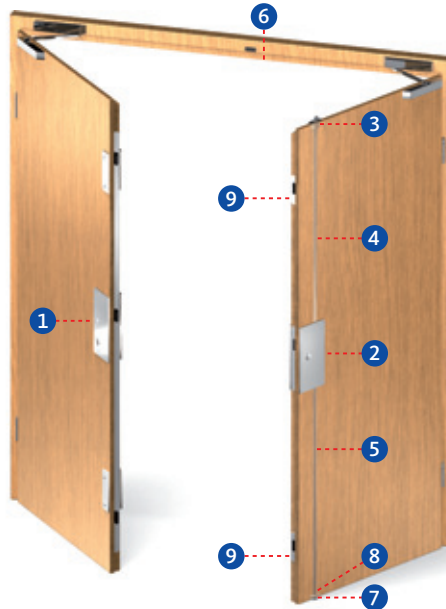
Combination PZAS 115

Panic function, 2-leaf, automatic locking of passive leaf, SECURY



Active leaf:

① = SECURY panic lock



Passive leaf:

- ② = Shoot-bolt lock
- ③ = Passive leaf control lock
- ④ = Spring-loaded vertical rod
- ⑤ = Solid vertical rod
- ⑥ = Striker
- ⑦ = Floor striker
- ⑧ = Guide plate for vertical rod
- ⑨ = Striker

Active leaf

No.	Product/ Panic function	Backset	20 mm faceplate for rebated doors		24 mm faceplate for flush doors		Additional PC/CH-RC versions see page
			DIN LH	DIN RH	DIN LH	DIN RH	
1	SECURY 2111/B	55	6-38725-09-L-8	6-38725-09-R-8	6-38725-12-L-8	6-38725-12-R-8	356
		65	6-38725-02-L-8	6-38725-02-R-8	6-38725-13-L-8	6-38725-13-R-8	356
		80	6-38725-10-L-8	6-38725-10-R-8	6-38725-14-L-8	6-38725-14-R-8	356
	SECURY 2113/C	55	6-39008-08-L-8	6-39008-08-R-8	6-39008-11-L-8	6-39008-11-R-8	360
		65	6-39008-09-L-8	6-39008-09-R-8	6-39008-12-L-8	6-39008-12-R-8	360
		80	6-39008-10-L-8	6-39008-10-R-8	6-39008-13-L-8	6-39008-13-R-8	360
	SECURY 2171/C electrically coupled	65	6-39014-06-L-8	6-39014-06-R-8	6-39014-07-L-8	6-39014-07-R-8	372

Passive leaf

No.	Product	Backset	Angled faceplate 20 x 12 mm		Lipped faceplate		Additional versions see page
			DIN LH	DIN RH	DIN LH	DIN RH	
2	2189	65	B 2189 0009	B 2189 0008	B 2189 0001	B 2189 0000	342+344
		80	B 2189 0011	B 2189 0010	B 2189 0003	B 2189 0002	342+344
		100	B 2189 0013	B 2189 0012	B 2189 0005	B 2189 0004	342+344
No.	Product	Backset	Faceplate 20 mm		Faceplate 24 mm		See page
3	1895	65	B 1895 0002		B 1895 0003		379
		80 + 100	B 1895 0004		B 1895 0005		379
No.	Product	Backset	Rod length	For door heights up to			See page
4	9036	65, 80, 100	1135 mm	2250 mm	B 9036 0001		403
			1385 mm	2500 mm	B 9036 0002		403
5	9006	Solid	1187 mm	-	B 9006 0004		402
No.	Product						See page
6	9000	For 1895	Non-handed		B 9000 0490		391
7	9009/B-0028	B 9009 0001 or B-00280-20-0-8					404
8	9019	B 9019 0001					405
9	9-38551	9-38551-xx-x-x					401
	6-31985	6-31985-xx-x-x					400

Combination PZAS 115

Panic function, 2-leaf, automatic locking of passive leaf, SECURY



Active leaf: half lever set with rosettes

Order number*			
B-72100-□□-0-□			
□ Cylinder hole-type	□ Lever handle model	□ Finish	
0 PC	0 RONDO H1.0	1	Silver/EV1 look
2 CH-RC	4 BELCANTO-PANIK H3.0	3	PVD brass
	6 OFFICE H4.0	7	Traffic white (RAL 9016)
	7 LEGATO H5.0	8	Satin stainless steel
	8 TREMOLO H6.0		
	9 DIRIGENT H7.0		

Active leaf: half lever set with short backplate and lever handle

Order number*			
B-72110-□□-0-□			
Active leaf: half lever set with long backplate			
Order number*			
B-72120-□□-0-□			
□ Cylinder hole-type – backplate design	□ Lever handle model	□ Finish	
0 PC 72 mm – round	0 RONDO H1.0	1	Silver/EV1 look
1 PC 72 mm – square	4 BELCANTO-PANIK H3.0	3	PVD brass
2 CH-RC 74 mm – round	6 OFFICE H4.0	7	Traffic white (RAL 9016)
3 CH-RC 74 mm – square	7 LEGATO H5.0	8	Satin stainless steel
	8 TREMOLO H6.0		
	9 DIRIGENT H7.0		

Active leaf: panic exit device according to EN 1125

Locking element	Cylinder hole-type	Aluminium F1	Satin stainless steel	Page
Push bar	PC 72 mm	B-74000-10-0-1N	B-74000-10-0-8	430
	CH-RC 74 mm	B-74000-20-0-1N	B-74000-20-0-8	430
Crossbar	Length	Aluminium F1	Satin stainless steel	Page
	1150 mm	B 7100 4274	B 7100 4204	430
Locking element	Length	Aluminium F1	Satin stainless steel	Page
Touch bar	1158 mm	B-74410-02-0-1	B-74410-02-0-8	426

Passive leaf: panic exit device according to EN 1125

Locking element	Cylinder hole-type	Aluminium F1	Satin stainless steel	Page
Push bar	Without PC hole	B-74000-00-0-1N	B-74000-00-0-8	430
Crossbar	Length	Aluminium F1	Satin stainless steel	Page
	1150 mm	B 7100 4274	B 7100 4204	430
Locking element	Length	Aluminium F1	Satin stainless steel	Page
Touch bar	1158 mm	B-74410-02-0-1	B-74410-02-0-8	426

Accessories: spindles and screws see from page 446.

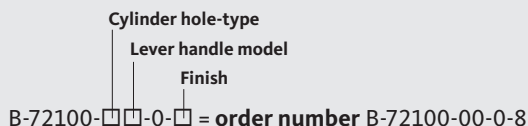
*Ordering example

Active leaf: half lever set with rosettes = B-72100-□□-0-□

Cylinder hole-type – PC = 0 [refer to table]

Lever handle model RONDO H1.0 = 0 [refer to table]

Finish 8 = satin stainless steel [refer to table]



Combination PZAS 115

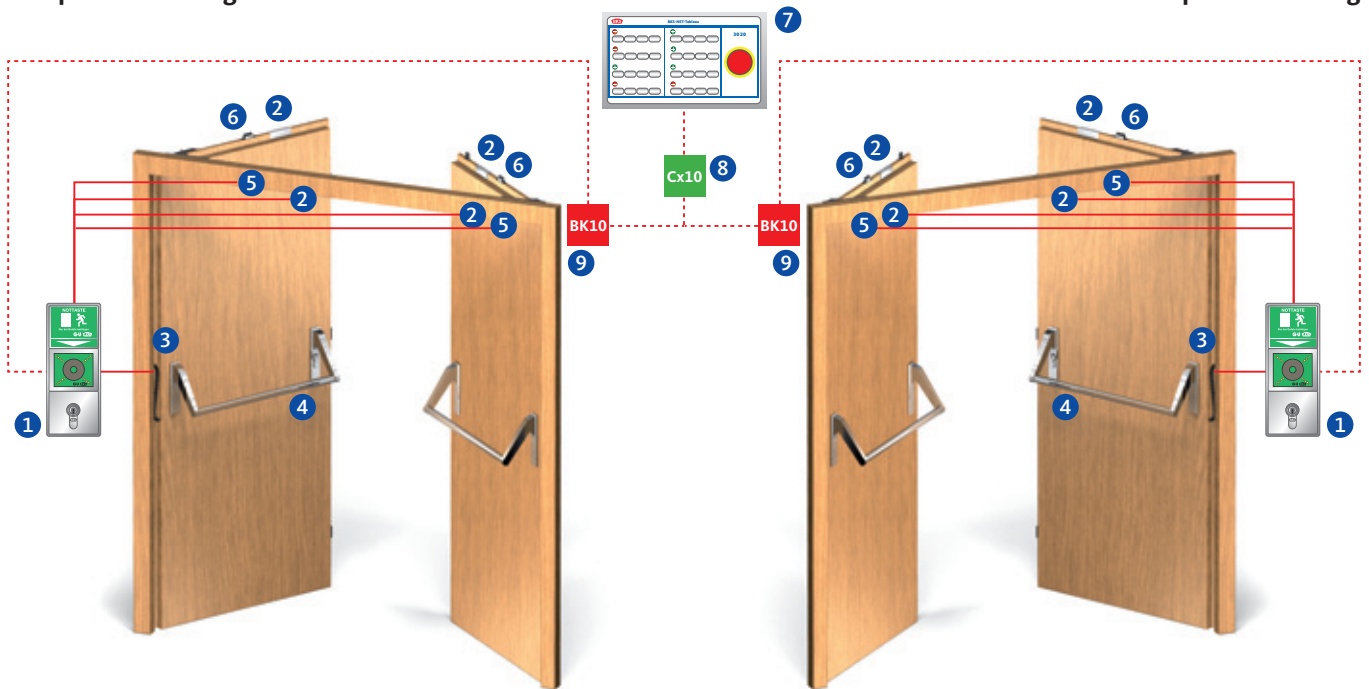
Panic function, 2-leaf, automatic locking of passive leaf, SECURITY



Escape door locking

Centralised control and visualisation

Escape door locking



Monitoring contacts

Product	Cylinder cam monitoring	Latch monitoring	Deadbolt monitoring	Follower monitoring	Exterior lever handle electrically coupled	Combinable with electric strike	With A-opener (motor)
6-3xxxx-xx-x	-	-	■	-	-	-	■

Escape door locking

No.	Product	Description	See page
1	B 5580 09xx	Escape door terminal set with integral power supply unit	452
2	B 5469 0010	Door contact	463
3	6-xxxx-xx-x-x	Cable link	416
4	B 5490 xxxx	Connecting cable	419
5	B 5465 xxxx	Electric escape door strike	414
6	B 5495 0010	Latch lock	414

Centralised control and visualisation

No.	Product	Description	See page
7	B 5580 0611	BKS-NET tablet with pre-installed software, licence included, for max. 8 doors (without collective display)	464
8	B 5580 0421	CU10 building bus coupler (USB interface)	469
9	B 5580 0411	BK10 in-wall bus coupler (without frame/cover)	469

Door closer/carrier bar

For detailed order information please refer to our door closer order catalogue.

Combination PZA 175

Panic function, 2-leaf, automatic locking of passive leaf



Inside



Outside

Functional description

Active leaf

Inside

The active leaf can be opened by the push bar at any time (panic function).

With series 23, the door is locked with the key.

With series 21, the door locks automatically without a key.

Outside

The active leaf can only be opened with the key.

With series 23, the door is locked with the key.

With series 21, the door locks automatically without a key.

– Panic function E

Passive leaf

Inside

Active and passive leaf can be opened with the push bar at any time (panic function on both leaves). Upon closing, the passive leaf is locked automatically via the vertical rods. If the door is opened by the passive leaf, the carrier bar ensures that the active leaf is carried along far enough to activate the door-leaf coordinator, so the leaves can close in the appropriate sequence. This also guarantees that the two leaves cannot jam, not even with a small clearance. The closing sequence of the door is controlled by the door-leaf coordinator integrated in the door closer.

Possible applications

- Escape doors to EN 1125 in public buildings
- Suitable for fire and smoke protection doors
- As the fixed knob or push/pull handle is on the outside, access from the outside is only possible using the key
- Optional combination with electric access control and/or escape door security components (see the following pages)

Recommendation

- Shopping centres
- Airports
- Stadiums
- Administrative areas
- Schools and universities
- Hospitals

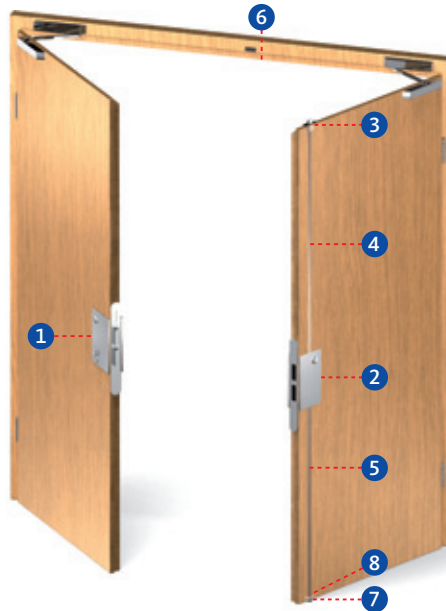
Combination PZA 175

Panic function, 2-leaf, automatic locking of passive leaf



Active leaf:

1 = Panic lock



Passive leaf:

- 2 = Shoot-bolt lock
- 3 = Passive-leaf control lock
- 4 = Vertical rod
- 5 = Solid vertical rod
- 6 = Striker
- 7 = Floor striker
- 8 = Guide plate for vertical rod

Active leaf						
No.	Product/ Panic function	Backset	20 mm faceplate for rebated doors		24 mm faceplate for flush doors	Additional PC/CH-RC versions see page
			DIN LH	DIN RH	Non-handed	
1	2327/E	55	B-23270-00-L-8	B-23270-00-R-8	B-23270-25-L-8	242
		65	B-23270-02-L-8	B-23270-02-R-8	B-23270-27-L-8	242
		80	B-23270-03-L-8	B-23270-03-R-8	B-23270-28-L-8	242
	Product/ Panic function	Backset	20 mm faceplate for rebated doors		24 mm faceplate for flush doors	Additional PC/CH-RC versions see page
			DIN LH	DIN RH	Non-handed	
	2117/E self-locking	65	B-21170-02-L-8	B-21170-02-R-8	B-21170-42-L-8	320
		80	B-21170-03-L-8	B-21170-03-R-8	B-21170-43-L-8	320
	2117/E with key-controlled latch holdback	65	B-21170-07-L-8	B-21170-07-R-8	B-21170-47-L-8	320
		80	B-21170-08-L-8	B-21170-08-R-8	B-21170-48-L-8	320

Passive leaf							
No.	Product	Backset	20 mm faceplate for rebated doors		24 mm faceplate for flush doors		Additional versions see page
			DIN LH	DIN RH	DIN LH	DIN RH	
2	2390 For series 23	65	B 2390 0278	B 2390 0277	B 2390 0202	B 2390 0201	276
		80	B 2390 0310	B 2390 0309	B 2390 0222	B 2390 0221	276
	Product	Backset	Angled faceplate		Lipped faceplate		See page
			65	B 2190 1013	B 2190 1012	B 2190 1007	B 2190 1006
2190 For series 21	80	B 2190 1015	B 2190 1014	B 2190 1009	B 2190 1008	346+348	
		No.	Product	Backset	Faceplate 20 mm	Faceplate 24 mm	See page
3	1895	65	B 1895 0002		B 1895 0003		379
		80 + 100	B 1895 0004		B 1895 0005		379
No.	Product					See page	
4	9006	With end plug	Rod length	1500 mm	B 9006 0013		402
5	9006	Solid	Rod length	1187 mm	B 9006 0004		402
6	9000	For 1895	Non-handed		B 9000 0490		391
7	9009/B-0028	B 9009 0001 or B-00280-20-0-8				404	
8	9019	B 9019 0001				405	

Combination PZA 175

Panic function, 2-leaf, automatic locking of passive leaf



Active leaf: half knob set with rosette

Order number*			
B-72600-□□-0-□			
□ Cylinder hole-type	□ Knob model	□ Finish	
0 PC	0 Round knob K1.0	1	Silver/EV1 look
2 CH-RC	1 Round knob K1.1	3	PVD brass
3 Without PC hole	2 Ball knob K2.0	7	Traffic white (RAL 9016)
	3 Ball knob K2.1	8	Satin stainless steel

Active leaf: half knob set with short backplate

Order number*			
B-72610-□□-0-□			

Active leaf: half knob set with long backplate

Order number*			
B-72620-□□-0-□			
□ Cylinder hole-type – backplate design	□ Knob model	□ Finish	
0 PC 72 mm – round	0 Round knob K1.0	1	Silver/EV1 look
1 PC 72 mm – square	1 Round knob K1.1	8	Satin stainless steel
2 CH-RC 74 mm – round	2 Ball knob K2.0		
3 CH-RC 74 mm – square	3 Ball knob K2.1		

Active leaf: panic exit device according to EN 1125

Locking element	Cylinder hole-type	Aluminium F1	Satin stainless steel	Page
Push bar	PC 72 mm	B-74000-10-0-1N	B-74000-10-0-8	430
	CH-RC 74 mm	B-74000-20-0-1N	B-74000-20-0-8	430
Crossbar	Length	Aluminium F1	Satin stainless steel	Page
	1150 mm	B 7100 4274	B 7100 4204	430
Locking element	Length	Aluminium F1	Satin stainless steel	Page
Touch bar	1158 mm	B-74410-02-0-1	B-74410-02-0-8	426

Passive leaf: panic exit device according to EN 1125

Locking element	Cylinder hole-type	Aluminium F1	Satin stainless steel	Page
Push bar	Without PC hole	B-74000-00-0-1N	B-74000-00-0-8	430
Crossbar	Length	Aluminium F1	Satin stainless steel	Page
	1150 mm	B 7100 4274	B 7100 4204	430
Locking element	Length	Aluminium F1	Satin stainless steel	Page
Touch bar	1158 mm	B-74410-02-0-1	B-74410-02-0-8	426

Accessories: spindles and screws see from page 446.

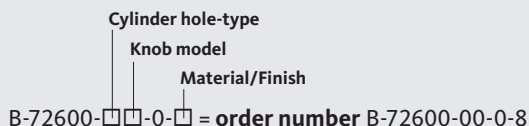
*Ordering example

Active leaf: half knob set with rosette = B-72600-□□-0-□

Cylinder hole-type – PC = 0 [refer to table]

Knob model: round knob K1.0 = 0 [refer to table]

Finish 8 = satin stainless steel [refer to table]



Combination PZA 175

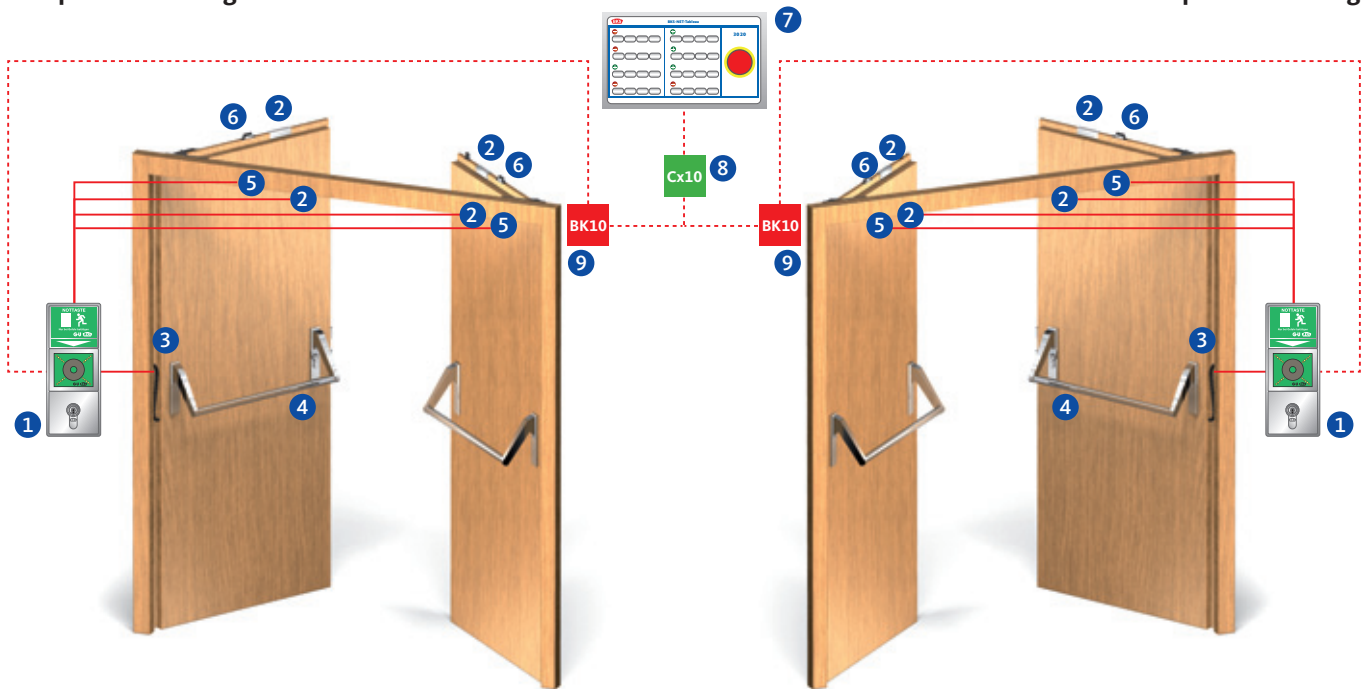
Panic function, 2-leaf, automatic locking of passive leaf



Escape door locking

Centralised control and visualisation

Escape door locking



Monitoring contacts

Product	Cylinder cam monitoring	Latch monitoring	Deadbolt monitoring	Follower monitoring	Exterior lever handle electrically coupled	Combinable with electric strike
2327	■	■	■	■	-	■
2117	■	■	-	■	-	-

Escape door locking

No.	Product	Description	See page
1	B 5580 09xx	Escape door terminal set with integral power supply unit	452
2	B 5469 0010	Door contact	463
3	6-xxxx-xx-x-x	Cable link	416
4	B 5490 xxxx	Connecting cable	419
5	B 5465 xxxx	Electric escape door strike	414
6	B 5495 0010	Latch lock	414

Centralised control and visualisation

No.	Product	Description	See page
7	B 5580 0611	BKS-NET tablet with pre-installed software, licence included, for max. 8 doors (without collective display)	464
8	B 5580 0421	CU10 building bus coupler (USB interface)	469
9	B 5580 0411	BK10 in-wall bus coupler (without frame/cover)	469

Door closer/carrier bar

For detailed order information please refer to our door closer order catalogue.

Combination PZO 175

Panic function, 2-leaf, active leaf with top-locking feature



Inside



Outside

Functional description

Active leaf

Inside

The active leaf can be opened by the push bar at any time (panic function).

With series 23, the door is locked with the key.

With series 21, the door locks automatically without a key.

Outside

The active leaf can only be opened with the key.

With series 23, the door is locked with the key.

With series 21, the door locks automatically without a key.

– Panic function E

Passive leaf

Inside

Active and passive leaf can be opened with the push bar at any time (panic function on both leaves). Upon closing, the passive leaf is locked automatically via the vertical rods. If the door is opened by the passive leaf, the carrier bar ensures that the active leaf is carried along far enough to activate the door-leaf coordinator, so the leaves can close in the appropriate sequence. This also guarantees that the two leaves cannot jam, not even with a small clearance. The closing sequence of the door is controlled by the door-leaf coordinator integrated in the door closer.

Possible applications

- Escape doors to EN 1125 in public buildings
- Suitable for fire and smoke protection doors
- As the fixed knob or push/pull handle is on the outside, access from the outside is only possible using the key
- Suitable for very high entrance doors with a tendency to warp (only by agreement with the door fabricator and in compliance with approvals)
- Enhanced burglar protection and gasket pressure thanks to the additional top-locking feature
- Optional combination with electric access control and/or escape door security components (see the following pages)

Recommendation

- Shopping centres
- Stadiums
- Airports
- Entrance doors for warehouses and office buildings
- Administrative areas

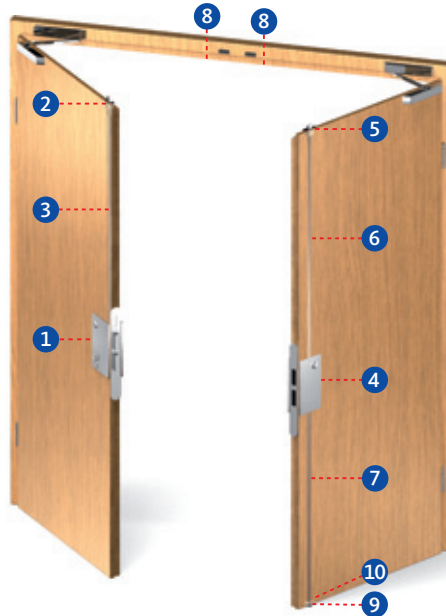
Combination PZO 175

Panic function, 2-leaf, active leaf with top-locking feature



Active leaf:

- 1 = Panic lock with top-locking feature
- 2 = Spring-operated top latch
- 3 = Vertical rod
- 8 = Striker



Passive leaf:

- 4 = Shoot-bolt lock
- 5 = Passive-leaf control lock
- 6 = Vertical rod
- 7 = Solid vertical rod
- 8 = Striker
- 9 = Floor striker
- 10 = Guide plate for vertical rod

Active leaf

No.	Product/ Panic function	Backset	20 mm faceplate for rebated doors		24 mm faceplate for flush doors	Additional PC/CH-RC versions see page
			DIN LH	DIN RH	Non-handed	
1	2337/E	55	B-23370-00-L-8	B-23370-00-R-8	B-23370-35-L-8	260
		65	B-23370-02-L-8	B-23370-02-R-8	B-23370-37-L-8	260
		80	B-23370-03-L-8	B-23370-03-R-8	B-23370-38-L-8	260
	2107/panic function E self-locking	65	B-21070-02-L-8	B-21070-02-R-8	B-21070-42-L-8	308
		80	B-21070-03-L-8	B-21070-03-R-8	B-21070-43-L-8	308
No.	Product	Backset	20 mm faceplate for rebated doors Non-handed		24 mm faceplate for flush doors Non-handed	Additional versions see page
2	1795	65, 80, 100	B 1795 0007		B 1795 0005	378
						See page
3	9006	55-100	Rod length	1385 mm	B 9006 0022	402
				1500 mm	B 9006 0013	402

Passive leaf

No.	Product	Backset	20 mm faceplate for rebated doors		24 mm faceplate for flush doors		Additional versions see page
			DIN LH	DIN RH	DIN LH	DIN RH	
4	2390 For series 23	65	B 2390 0278	B 2390 0277	B 2390 0202	B 2390 0201	276
		80	B 2390 0310	B 2390 0309	B 2390 0222	B 2390 0221	276
	Product	Backset	Angled faceplate		Lipped faceplate		See page
	2190 For series 21	65	B 2190 1013	B 2190 1012	B 2190 1007	B 2190 1006	346+348
		80	B 2190 1015	B 2190 1014	B 2190 1009	B 2190 1008	346+348
No.	Product	Backset	Faceplate 20 mm		Faceplate 24 mm		See page
5	1895	65	B 1895 0002		B 1895 0003		379
		80 + 100	B 1895 0004		B 1895 0005		379
							See page
6	9006	With end plug	Rod length	1500 mm	B 9006 0013		402
7	9006	Solid	Rod length	1187 mm	B 9006 0004		402
8	9000	For 1895	Non-handed		B 9000 0490		391
		For 1795	Non-handed		B 9000 0567		391
9	9009/B-0028	B 9009 0001 or B-00280-20-0-8					404
10	9019	B 9019 0001					405

Combination PZO 175

Panic function, 2-leaf, active leaf with top-locking feature



Active leaf: half knob set with rosette

Order number*			
B-72600-□□-0-□			
□ Cylinder hole-type	□ Knob model	□ Finish	
0 PC	0 Round knob K1.0	1	Silver/EV1 look
2 CH-RC	1 Round knob K1.1	3	PVD brass
3 Without PC hole	2 Ball knob K2.0	7	Traffic white (RAL 9016)
	3 Ball knob K2.1	8	Satin stainless steel

Active leaf: half knob set with short backplate

Order number*			
B-72610-□□-0-□			

Active leaf: half knob set with long backplate

Order number*			
B-72620-□□-0-□			
□ Cylinder hole-type – backplate design	□ Knob model	□ Finish	
0 PC 72 mm – round	0 Round knob K1.0	1	Silver/EV1 look
1 PC 72 mm – square	1 Round knob K1.1	8	Satin stainless steel
2 CH-RC 74 mm – round	2 Ball knob K2.0		
3 CH-RC 74 mm – square	3 Ball knob K2.1		

Active leaf: panic exit device according to EN 1125

Locking element	Cylinder hole-type	Aluminium F1	Satin stainless steel	Page
Push bar	PC 72 mm	B-74000-10-0-1N	B-74000-10-0-8	430
	CH-RC 74 mm	B-74000-20-0-1N	B-74000-20-0-8	430
Crossbar	Length	Aluminium F1	Satin stainless steel	Page
	1150 mm	B 7100 4274	B 7100 4204	430
Locking element	Length	Aluminium F1	Satin stainless steel	Page
Touch bar	1158 mm	B-74410-02-0-1	B-74410-02-0-8	426

Passive leaf: panic exit device according to EN 1125

Locking element	Cylinder hole-type	Aluminium F1	Satin stainless steel	Page
Push bar	Without PC hole	B-74000-00-0-1N	B-74000-00-0-8	430
Crossbar	Length	Aluminium F1	Satin stainless steel	Page
	1150 mm	B 7100 4274	B 7100 4204	430
Locking element	Length	Aluminium F1	Satin stainless steel	Page
Touch bar	1158 mm	B-74410-02-0-1	B-74410-02-0-8	426

Accessories: spindles and screws see from page 446.

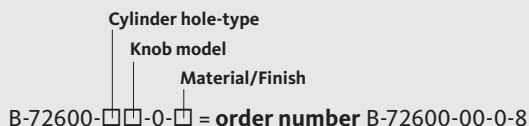
*Ordering example

Active leaf: half knob set with rosette = B-72600-□□-0-□

Cylinder hole-type – PC = 0 [refer to table]

Knob model: round knob K1.0 = 0 [refer to table]

Finish 8 = satin stainless steel [refer to table]



Combination PZO 175

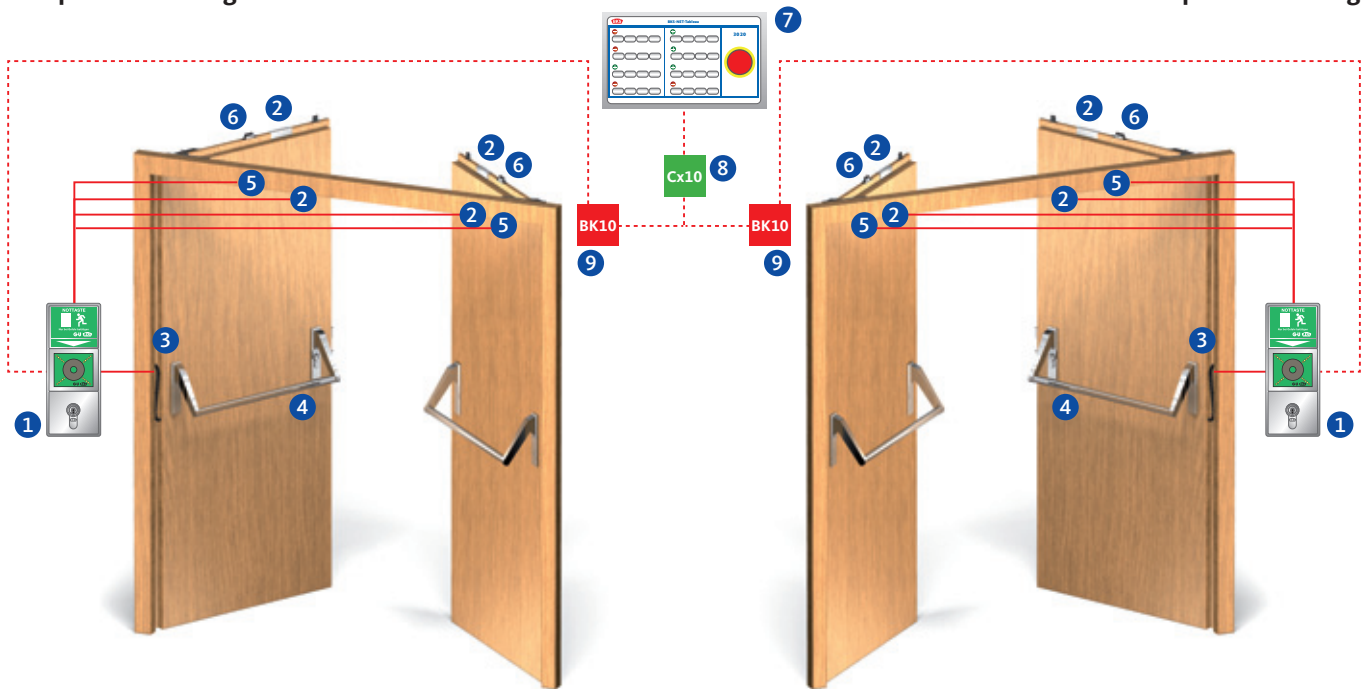
Panic function, 2-leaf, active leaf with top-locking feature



Escape door locking

Centralised control and visualisation

Escape door locking



Monitoring contacts

Product	Cylinder cam monitoring	Latch monitoring	Deadbolt monitoring	Follower monitoring	Exterior lever handle electrically coupled	Combinable with electric strike
2337	■	■	■	■	-	■
2107	■	■	-	■	-	-

Escape door locking

No.	Product	Description	See page
1	B 5580 09xx	Escape door terminal set with integral power supply unit	452
2	B 5469 0010	Door contact	463
3	6-xxxx-xx-x-x	Cable link	416
4	B 5490 xxxx	Connecting cable	419
5	B 5465 xxxx	Electric escape door strike	414
6	B 5495 0010	Latch lock	414

Centralised control and visualisation

No.	Product	Description	See page
7	B 5580 0611	BKS-NET tablet with pre-installed software, licence included, for max. 8 doors (without collective display)	464
8	B 5580 0421	CU10 building bus coupler (USB interface)	469
9	B 5580 0411	BK10 in-wall bus coupler (without frame/cover)	469

Door closer/carrier bar

For detailed order information please refer to our door closer order catalogue.

Combination PZAS 175

Panic function, 2-leaf, automatic locking of passive leaf, SECURY



Inside



Outside

Functional description

Active leaf

Inside

The active leaf can be opened by the lever handle at any time (panic function).

With a SECURY lock, the door is automatically locked without having to use the key.

Outside

The active leaf can only be opened with the key.

With a SECURY lock, the door is automatically locked without having to use the key.

– Panic function E

Passive leaf

Inside

Active and passive leaf can be opened with the push bar at any time (panic function on both leaves). Upon closing, the passive leaf is locked automatically via the vertical rods. If the door is opened by the passive leaf, the carrier bar ensures that the active leaf is carried along far enough to activate the door-leaf coordinator, so the leaves can close in the appropriate sequence. This also guarantees that the two leaves cannot jam, not even with a small clearance. The closing sequence of the door is controlled by the door-leaf coordinator integrated in the door closer.

Possible applications

- Escape doors to EN 1125 in public buildings
- Suitable for fire and smoke protection doors
- As the fixed knob or push/pull handle is on the outside, access from the outside is only possible using the key.
- Suitable for very high entrance doors with a tendency to warp (only by agreement with the door fabricator and in compliance with approvals)
- Automatic multi-point locking
- Enhanced burglar protection and gasket pressure thanks to the additional locking
- Optional combination with electric access control and/or escape door security components (see the following pages)

Recommendation

- Entrance doors to administrative and office buildings
- Homes for the elderly
- Service doors
- Museums
- Airports
- Stadiums
- Administrative areas

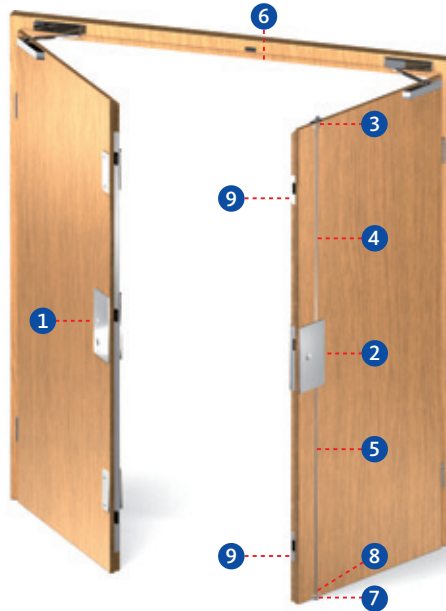
Combination PZAS 175

Panic function, 2-leaf, automatic locking of passive leaf, SECURY



Active leaf:

1 = SECURY panic lock



Passive leaf:

- 2 = Shoot-bolt lock
- 3 = Passive leaf control lock
- 4 = Spring-loaded vertical rod
- 5 = Solid vertical rod
- 6 = Striker
- 7 = Floor striker
- 8 = Guide plate for vertical rod
- 9 = Striker

Active leaf							
No.	Product/ Panic function	Backset	20 mm faceplate for rebated doors		24 mm faceplate for flush doors		Additional PC/CH-RC versions see page
			DIN LH	DIN RH	DIN LH	DIN RH	
1	SECURY 2119/E	55	6-38724-09-L-8	6-38724-09-R-8	6-38724-12-L-8	6-38724-12-R-8	364
		65	6-38724-02-L-8	6-38724-02-R-8	6-38724-13-L-8	6-38724-13-R-8	364
		80	6-38724-10-L-8	6-38724-10-R-8	6-38724-14-L-8	6-38724-14-R-8	364

Passive leaf							
No.	Product	Backset	Angled faceplate 20 x 12 mm		Lipped faceplate		Additional versions see page
			DIN LH	DIN RH	DIN LH	DIN RH	
2	2189	65	B 2189 0009	B 2189 0008	B 2189 0001	B 2189 0000	342+344
		80	B 2189 0011	B 2189 0010	B 2189 0003	B 2189 0002	342+344
		100	B 2189 0013	B 2189 0012	B 2189 0005	B 2189 0004	342+344
No.	Product	Backset	Faceplate 20 mm		Faceplate 24 mm		See page
3	1895	65	B 1895 0002		B 1895 0003		379
		80 + 100	B 1895 0004		B 1895 0005		379
No.	Product	Backset	Rod length	For door heights			See page
4	9036	65, 80, 100	1135 mm	2250 mm	B 9036 0001		403
			1385 mm	2500 mm	B 9036 0002		403
5	9006	Solid	1187 mm	-	B 9006 0004		402
No.	Product						See page
6	9000	For 1895	Non-handed		B 9000 0490		391
7	9009/B-0028	B 9009 0001 or B-00280-20-0-8					404
8	9019	B 9019 0001					405
9	9-38551	9-38551-xx-x-x					401
	6-31985	6-31985-xx-x-x					400

Combination PZAS 175

Panic function, 2-leaf, automatic locking of passive leaf, SECURY



Active leaf: half knob set with rosette

Order number*			
B-72600-□□-0-□			
□ Cylinder hole-type	□ Knob model	□ Finish	
0 PC	0 Round knob K1.0	1	Silver/EV1 look
2 CH-RC	1 Round knob K1.1	3	PVD brass
3 Without PC hole	2 Ball knob K2.0	7	Traffic white (RAL 9016)
	3 Ball knob K2.1	8	Satin stainless steel

Active leaf: half knob set with short backplate

Order number*			
B-72610-□□-0-□			

Active leaf: half knob set with long backplate

Order number*			
B-72620-□□-0-□			
□ Cylinder hole-type – backplate design	□ Knob model	□ Finish	
0 PC 72 mm – round	0 Round knob K1.0	1	Silver/EV1 look
1 PC 72 mm – square	1 Round knob K1.1	8	Satin stainless steel
3 CH-RC 74 mm – square	3 Ball knob K2.1		

Active leaf: panic exit device according to EN 1125

Locking element	Cylinder hole-type	Aluminium F1	Satin stainless steel	Page
Push bar	PC 72 mm	B-74000-10-0-1N	B-74000-10-0-8	430
	CH-RC 74 mm	B-74000-20-0-1N	B-74000-20-0-8	430
Crossbar	Length	Aluminium F1	Satin stainless steel	Page
	1150 mm	B 7100 4274	B 7100 4204	430
Locking element	Length	Aluminium F1	Satin stainless steel	Page
Touch bar	1158 mm	B-74410-02-0-1	B-74410-02-0-8	426

Passive leaf: panic exit device according to EN 1125

Locking element	Cylinder hole-type	Aluminium F1	Satin stainless steel	Page
Push bar	Without PC hole	B-74000-00-0-1N	B-74000-00-0-8	430
Crossbar	Length	Aluminium F1	Satin stainless steel	Page
	1150 mm	B 7100 4274	B 7100 4204	430
Locking element	Length	Aluminium F1	Satin stainless steel	Page
Touch bar	1158 mm	B-74410-02-0-1	B-74410-02-0-8	426

Accessories: spindles and screws see from page 446.

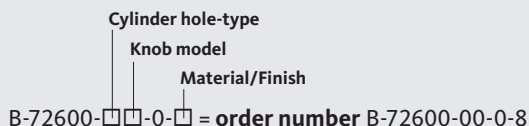
*Ordering example

Active leaf: half knob set with rosette = B-72600-□□-0-□

Cylinder hole-type – PC = 0 [refer to table]

Knob model: round knob K1.0 = 0 [refer to table]

Finish = satin stainless steel [refer to table]



Combination PZAS 175

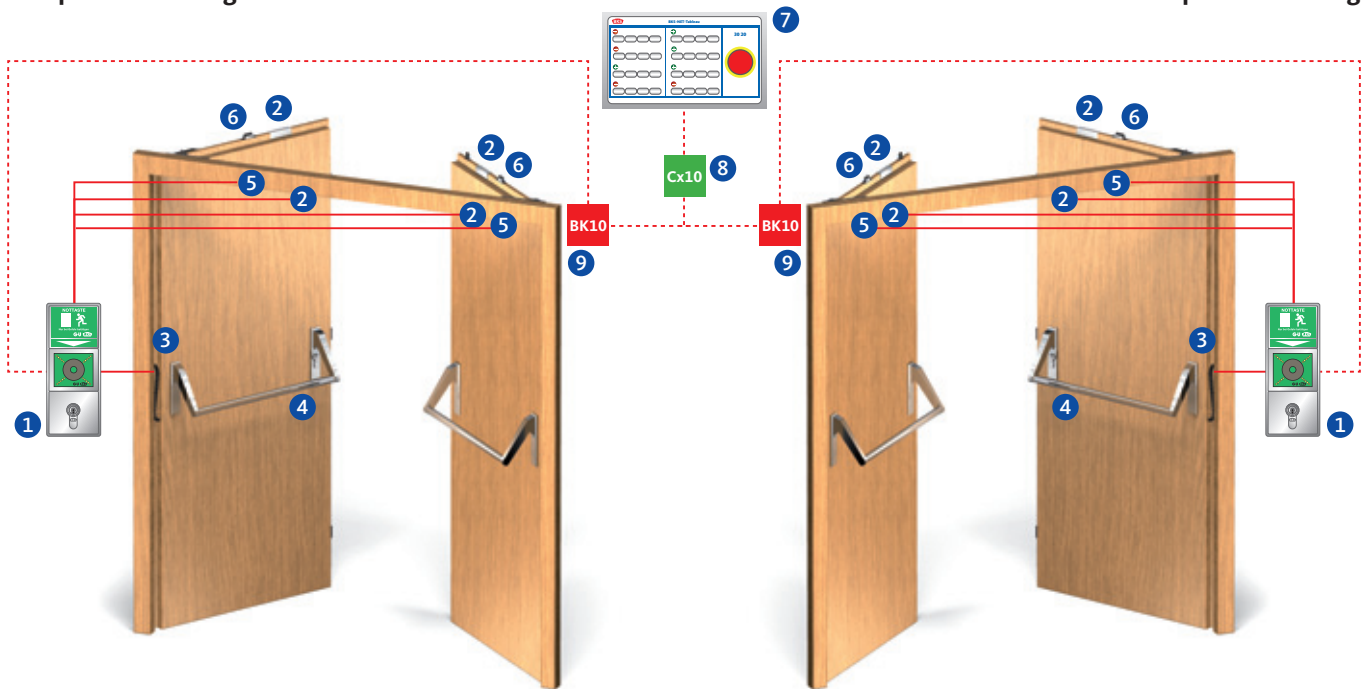
Panic function, 2-leaf, automatic locking of passive leaf, SECURITY



Escape door locking

Centralised control and visualisation

Escape door locking



Monitoring contacts

Product	Cylinder cam monitoring	Latch monitoring	Deadbolt monitoring	Follower monitoring	Exterior lever handle electrically coupled	Combinable with electric strike	With A-opener (motor)
6-38724-xx-x	-	-	■	-	-	-	■

Escape door locking

No.	Product	Description	See page
1	B 5580 09xx	Escape door terminal set with integral power supply unit	452
2	B 5469 0010	Door contact	463
3	6-xxxx-xx-x-x	Cable link	416
4	B 5490 xxxx	Connecting cable	419
5	B 5465 xxxx	Electric escape door strike	414
6	B 5495 0010	Latch lock	414

Centralised control and visualisation

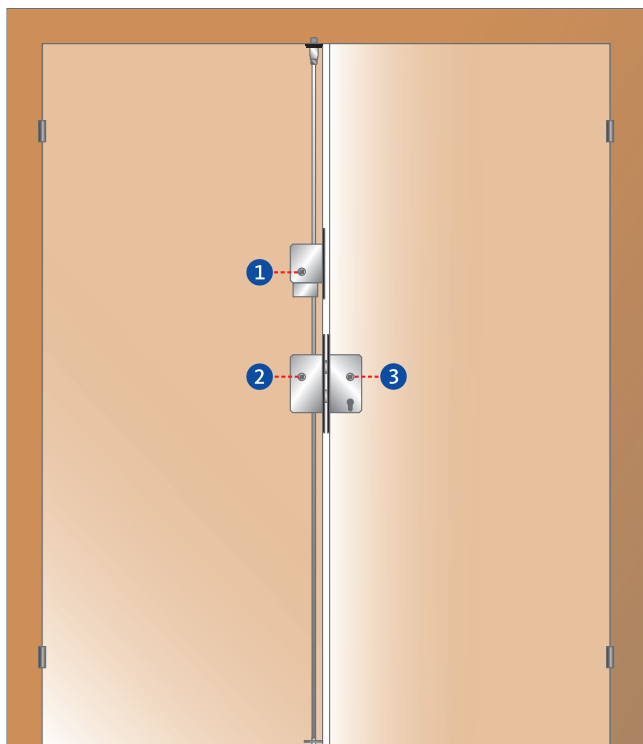
No.	Product	Description	See page
7	B 5580 0611	BKS-NET tablet with pre-installed software, licence included, for max. 8 doors (without collective display)	464
8	B 5580 0421	CU10 building bus coupler (USB interface)	469
9	B 5580 0411	BK10 in-wall bus coupler (without frame/cover)	469

Door closer/carrier bar

For detailed order information please refer to our door closer order catalogue.

Special applications

Panic function on the higher-mounted interior lever handle on the passive leaf



Passive leaf

- ① = for higher-mounted vertical lever handle – B 2598 remote lock
- ② = no door hardware at standard height – B 2390 2xxx shoot-bolt lock
- ③ = for active leaf door hardware at standard 1050 mm height above finished floor level – series 23 active leaf lock

Note

With some applications it is desirable for the door hardware to be mounted at a height of 1500 mm above finished floor level. In these cases, the shoot-bolt lock is combined with the B 2598 remote lock. It also makes sense to mount the door hardware higher up when using the single-acting panic function (see page 483).





Active leaf

- ① = for higher-mounted interior door hardware at 1500 mm handle height
- panic function B = B-2340
 - panic function E = B-2346

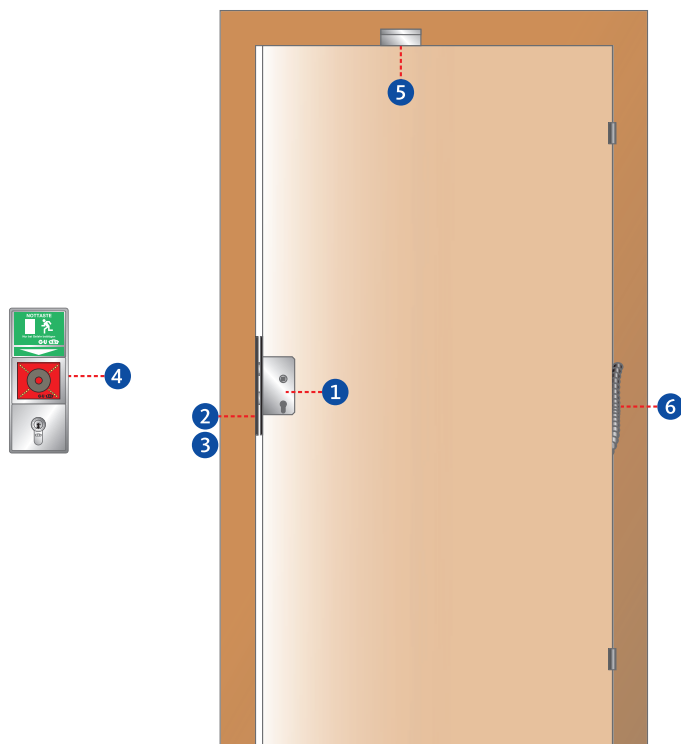
Note

In specific applications (**e.g. kindergartens**) it is not desirable for the standard or panic function to be triggered via door hardware mounted at the standard height. In these cases, locks are installed at the standard height of 1050 mm above finished floor level.



Special applications

Escape door locking



Indoors



Outdoors

Access with key = cylinder cam monitoring

- 1 = B-2120/B-2126**
EVP electrically-locking panic lock with panic function B or E, optionally with cylinder cam monitoring
- 2 = B 9000 xxxx**
Striker prepared for electric escape door strike B 5465 04xx
- 3 = B 5465 04xx**
electric escape door strike with FaFix or ProFix 2 function

- 4 = B 5580 0982**
3-section set (LS990) in stainless steel look; FTNT10 escape door control unit with integrated emergency push-button, ST10 key switch and integrated in-wall power supply unit 24 V DC/0.5 A
- 5 = B 5469 0010**
Door contact set, white
- 6 = 6-xxxxx-xx-x-x**
Concealed cable link for cylinder cam monitoring contact

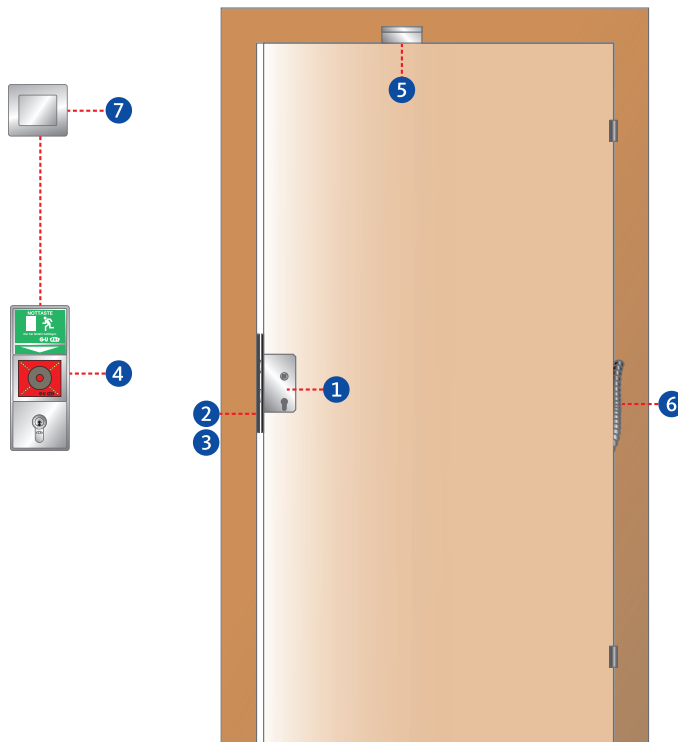
Functional description

Inside

The locking element (electric escape door strike) is released via key switch or cylinder cam monitoring contact on the lock. The door can then be opened from the inside at any time (escape door). When the emergency push-button is pressed, the locking element (electric escape door strike) is enabled immediately and an alarm sounds. The door leaf can then be opened from the inside at any time (panic function).

Outside

The door is opened from the outside with the key (cylinder cam monitoring). This authorises activation of the locking element.



Indoors

Outdoors



Access with key = cylinder cam monitoring on the lock

- 1** = **B-2120/B-2126**
EVP electrically-locking panic lock, panic function B or E, optionally with cylinder cam monitoring
- 2** = **B 9000 xxxx**
Striker prepared for electric escape door strike B 5465 04xx
- 3** = **B 5465 04xx**
Electric escape door strike with FaFix or ProFix 2 function

- 4** = **B 5580 0982**
3-section set (LS990) in stainless steel look; FTNT10 escape door control unit with integrated emergency push-button, ST10 key switch and integrated in-wall power supply unit 24 V DC/0.5 A
- 5** = **B 5469 0010**
Door contact set, white
- 6** = **6-xxxxx-xx-x-x**
Concealed cable link for cylinder cam monitoring
- 7** = Release button for 1.80 m installation height

Functional description

Inside

The locking element (electric escape door strike) is released via key switch or cylinder cam monitoring on the lock. The door can then be opened from inside (escape door). When the emergency push-button is pressed, the locking element (electric escape door strike) is enabled immediately and an alarm sounds. The door can then be opened from the inside (panic function).

The door can be unlocked at any time via an additional push-button on the inside. To keep the push-button out of the reach of children, it should be installed at a height of approx. 1.80 m.

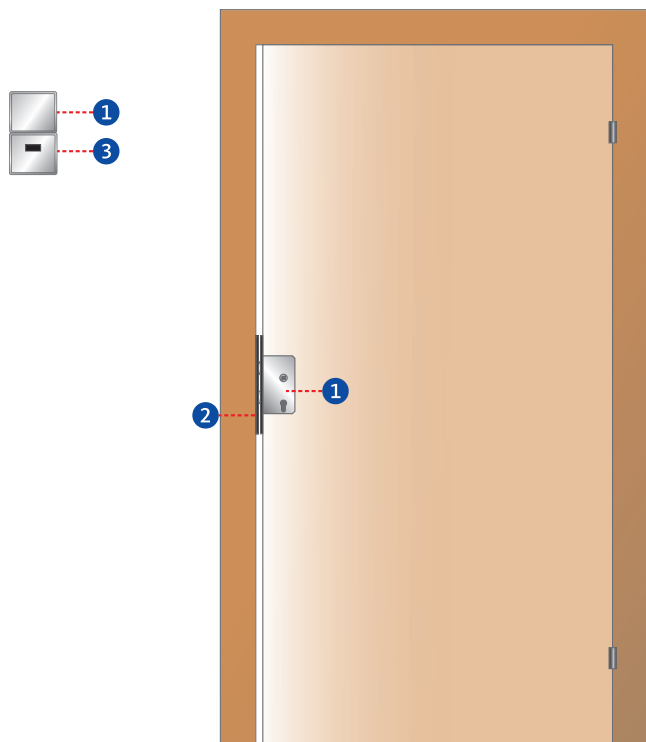
Outside

The door is opened from the outside with the key (cylinder cam monitoring on lock). This authorises activation of the locking element.

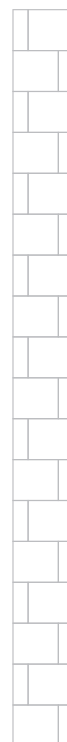
The mechanical latch holdback on the lock allows the latch to be fixed in position during pick-up and drop-off times.

Special applications

Access control



Indoors



Outdoors

- ① = B 2170 8xxx radio battery lock
incl. wall module, panic function C
- ② = B 9000 xxxx striker
- ③ = 5368 control unit for SE wall reader
- ④ = 5369 SE wall reader

- B 5494 0003 plug-in power supply 12 V DC (1 A)
- 5330 SE transponder
- 5371 SE programming device
- B 5365 0010 SE KeyManager software on CD

Functional description

The radio battery lock incorporates flexible technology which means it can be used for two different applications.

Inside

The self-locking panic lock can be unlocked from the inside at any time.

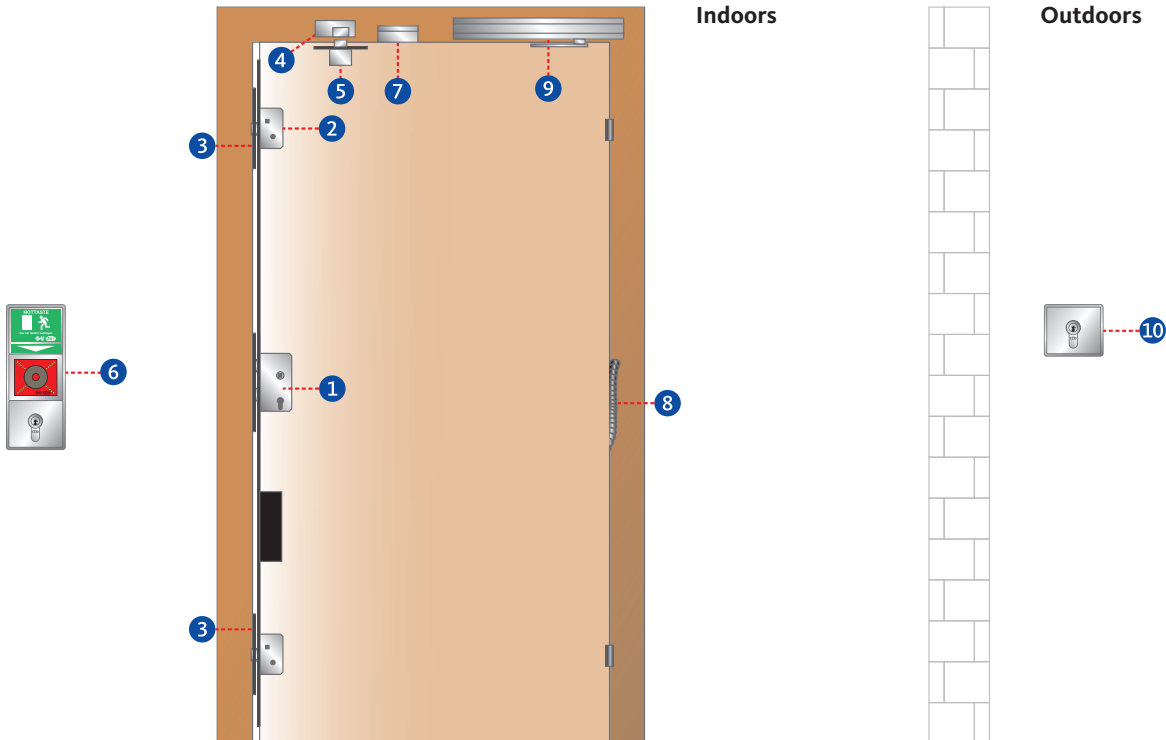
Outside

1. Authorise access

In the normal state, the exterior lever handle of the self-locking panic lock is decoupled and therefore deactivated. Thanks to the I/O module which is mounted near the door, the lock can be controlled wirelessly via the contact of a third system. The battery-operated exterior lever handle is then coupled for a certain period of time during which the door can be opened. The access authorisation can be transmitted wirelessly to the door directly following identification via the intercom or access control system.

2. Deny access

In the normal state, the exterior lever handle of the self-locking panic lock is coupled and therefore activated. The door can be opened as usual from both sides by operating the lever handle. Access can be denied by transmitting a signal (via I/O module) which decouples the exterior lever handle.



- 1 = **2110/2116 SECURITY multi-point lock**
with A-opener, panic function B or E
- 2 = **K-16538-xx-x-x**
latchbolt contact for additional lock
- 3 = Angled striker or adjustable striker
for additional lock
- 4 = **B 5465 xxxx** electric escape door strike
- 5 = **B 5495 0010**
latch lock for electric escape door strike

- 6 = **B 5580 0982**
3-section set (LS990) in stainless steel look,
FTNT10 escape door control unit with integrated
emergency push-button, ST10 key switch and integrated
in-wall power supply unit 24 V DC/0.5 A
- 7 = **B 5469 0010** door contact set, white
- 8 = **6-xxxxx-xx-x-x**
concealed cable link
- 9 = Swing-door drive
- 10 = **B 5580 031x** key switch
B 5494 0004 plug-in power supply 24 V DC (1 A)

Functional description

Inside

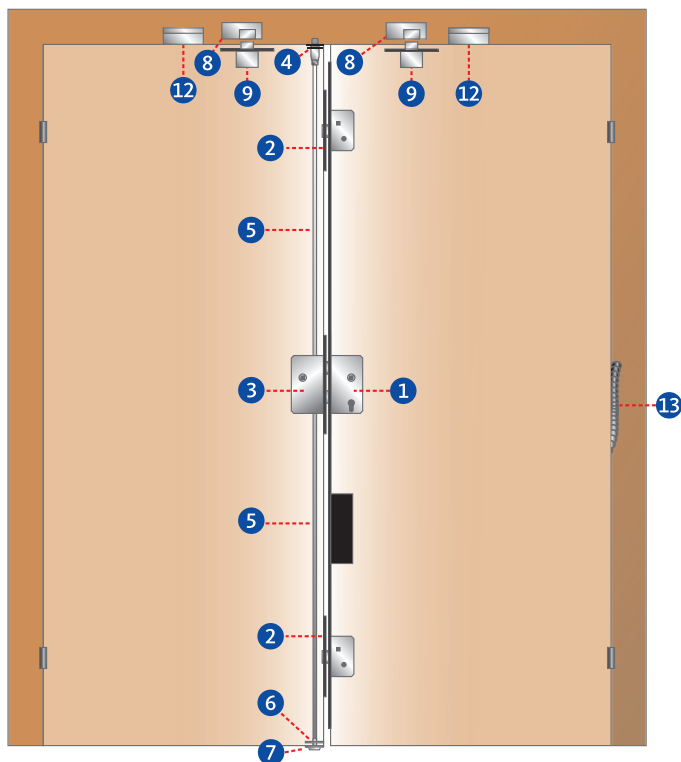
The locking element (electric escape door strike) is released via key switch or cylinder cam monitoring on the lock. The door can then be opened from the inside at any time (escape door). When the emergency push-button is pressed, the locking element (electric escape door strike) is enabled immediately and an alarm sounds. The door leaf can then be opened from the inside at any time (panic function).

Outside

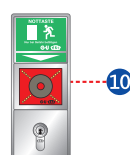
The door is opened from the outside via the key switch. This authorises activation of the locking element.

Special applications

Escape door locking – for double-leaf doors



Indoors



Outdoors



- ① = **2111/2119 SECURITY multi-point lock**
panic function B or E,
with optionally additional latchbolt monitoring contact
- ① = **B-21110-xx-x-8/B-21170-xx-x-8 panic lock**
panic function B or E,
with optional cylinder locking cam or latchbolt monitoring contact
- ② = Angled striker or adjustable striker for additional top and bottom latchbolt
- ③ = **B 2189 xxxx shoot-bolt lock**
in connection with a SECURITY multi-point lock
- ④ = **B 1895 xxxx passive-leaf control lock**
- ⑤ = **B 9006 xxxx vertical rod**
- ⑥ = **B 9019 0001 guide plate for vertical rod**

- ⑦ = **B 9009 0001/B-00280-20-0-8 floor striker**
- ⑧ = **B 5465 xxxx**
electric escape door strike, one for each door leaf
- ⑨ = **B 5495 0010 latch lock for electric escape door strike**
- ⑩ = **B 5580 0982**
3-section set (LS990) in stainless steel look;
FTNT10 escape door control unit with integrated emergency push-button,
ST10 key switch and integrated in-wall power supply unit 24 V DC/0.5 A
- ⑪ = **B 5580 031x key switch**
- ⑫ = **B 5469 0010 door contact set, white**
- ⑬ = **6-xxxxx-xx-x-x**
concealed cable link for cylinder cam monitoring

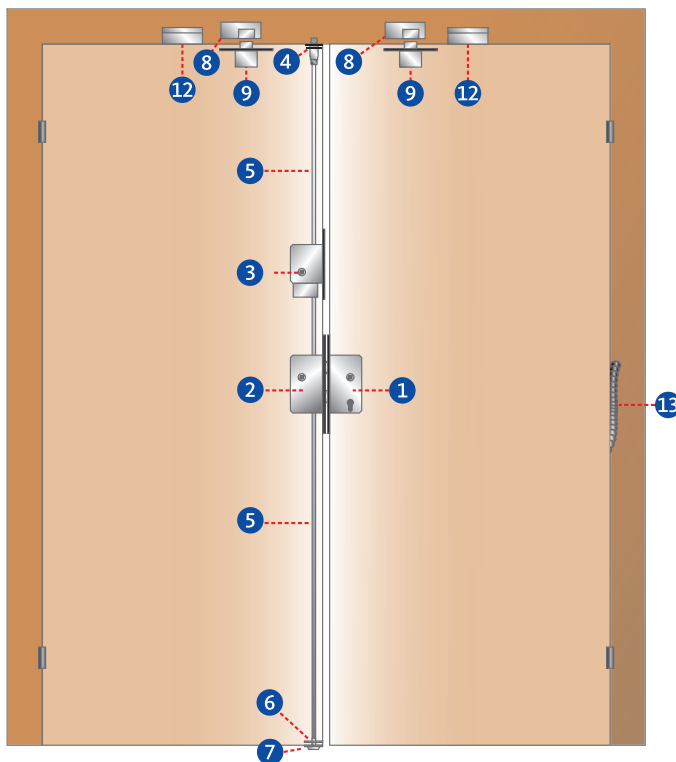
Functional description

Inside

The locking elements (electric escape door strike) are released via key switch or cylinder cam monitoring on the lock. The door can then be opened from the inside at any time (escape door). When the emergency push-button is pressed, the locking element (electric escape door strike) is enabled immediately and an alarm sounds. The door leaf can then be opened from the inside at any time (panic function).

Outside

The door is opened from the outside via the key switch. This authorises activation of the locking element.



Indoors



Outdoors



Access with key = cylinder cam monitoring on the lock

- 1 = B-23210-xx-x-8 / B-23270-xx-x-8 panic lock for 2-leaf doors, panic function B or E, with optionally cylinder cam monitoring and deadbolt monitoring
- 2 = B 2390 2xxx shoot-bolt lock prepared for B 2598 remote lock
- 3 = B 2598 xxxx remote lock
- 4 = B 1895 xxxx passive-leaf control lock
- 5 = B 9006 xxxx vertical rod
- 6 = B 9019 0001 guide plate for vertical rod
- 7 = B 9009 0001/B-00280-20-0-8 floor striker

- 8 = B 5465 xxxx Electric escape door strike, one for each door leaf
- 9 = B 5495 0010 latch lock for electric escape door strike
- 10 = B 5580 0982 3-section set (LS990) in stainless steel lock, FTNT10 escape door control unit with integrated emergency push-button, ST10 key switch and integrated in-wall power supply unit 24 V DC/0.5 A
- 11 = Release button for 1.80 m installation height
- 12 = B 5469 0010 door contact set, white
- 13 = 6-xxxxx-xx-x-x concealed cable link for cylinder cam monitoring

Functional description

Inside

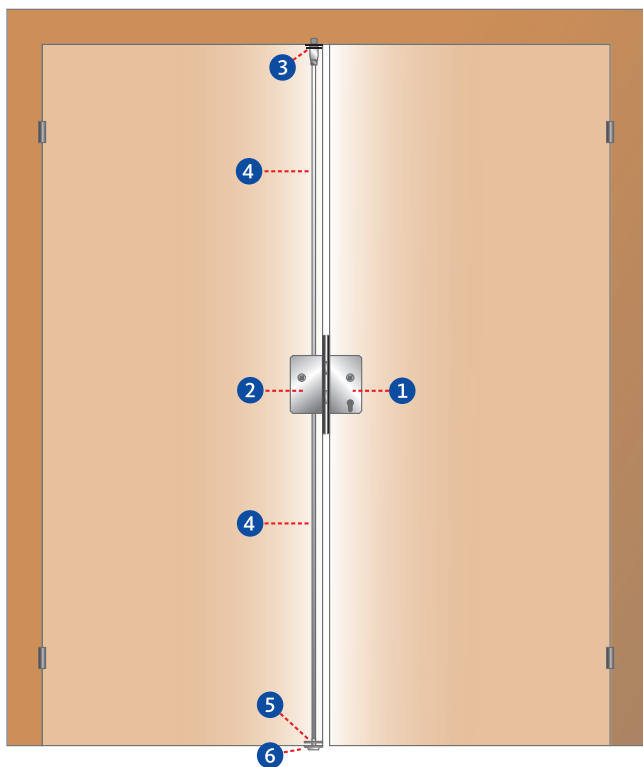
The locking elements (electric escape door strike) are released via key switch or cylinder cam monitoring on the lock. The door can then be opened from inside (escape door). When the emergency push-button is pressed, the locking element (electric escape door strike) is enabled immediately and an alarm sounds. The door can then be opened from the inside (panic function). The door can be unlocked at any time via an additional push-button on the inside. To keep the push-button out of the reach of children, it should be installed at a height of approx. 1.80 m.

Outside

The door is opened from the outside with the key (cylinder cam monitoring on lock). This authorises activation of the locking element. The mechanical latch holdback on the lock allows the latch to be fixed in position during pick-up and drop-off times.

Special applications

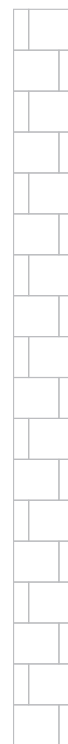
Access control – 2-leaf doors



Indoors



Outdoors



- 1 = B 2171 8xxx radio battery lock
incl. wall module, panic function C
- 2 = B 2189 xxxx shoot-bolt lock
- 3 = B 1895 xxxx passive-leaf control lock
- 4 = B 9006 xxxx vertical rod
- 5 = B 9019 0001 guide plate for vertical rod

- 6 = B 9009 0001/B-00280-20-0-8 floor striker
 - 7 = 5368 control unit for SE wall reader
 - 8 = 5369 SE wall reader
- B 5494 0003 plug-in power supply 12 V DC (1 A)
5330 SE transponder
5371 SE programming device
B 5365 0010 SE KeyManager software on CD

Functional description

The radio battery lock incorporates flexible technology which means it can be used for two different applications.

Inside

The self-locking panic lock can be unlocked from the inside at any time.

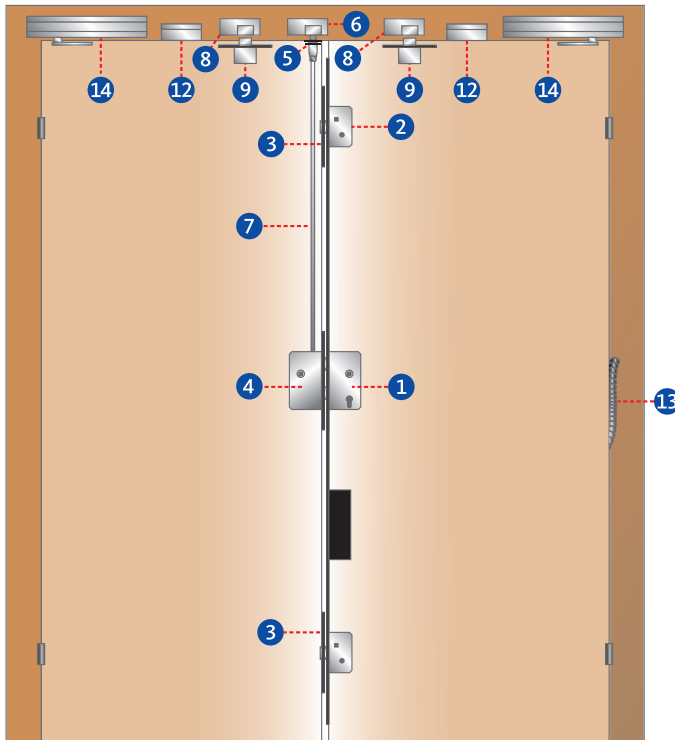
Outside

1. Authorise access

In the normal state, the exterior lever handle of the self-locking panic lock is decoupled and therefore deactivated. Thanks to the I/O module which is mounted near the door, the lock can be controlled wirelessly via the contact of a third system. The battery-operated exterior lever handle is then coupled for a certain period of time during which the door can be opened. The access authorisation can be transmitted wirelessly to the door directly following identification via the intercom or access control system.

2. Deny access

In the normal state, the exterior lever handle of the self-locking panic lock is coupled and therefore activated. The door can be opened as usual from both sides by operating the lever handle. Access can be denied by transmitting a signal (via I/O module) which decouples the exterior lever handle.



Indoors

Outdoors



- ① = **2111/2119 SECURITY multi-point lock** with A-opener, panic function B or E
- ② = **K-16538-xx-x-x** latchbolt contact for additional lock
- ③ = Angled striker or adjustable striker for additional lock
- ④ = **B 2189 xxxx** shoot-bolt lock in connection with a SECURITY multi-point lock
- ⑤ = **B 1796 xxxx** spring-operated top latch
- ⑥ = GU-BKS electric strike ET 8
- ⑦ = **B 9036 xxxx** spring-loaded vertical rod
- ⑧ = **B 5465 xxxx** electric escape door strike

- ⑨ = **B 5495 0010** latch lock for electric escape door strike
 - ⑩ = **B 5580 0982**
3-section set (LS990) in stainless steel look, FTNT10 escape door control unit with integrated emergency push-button, ST10 key switch and integrated in-wall power supply unit 24 V DC/0.5 A
 - ⑪ = **B 5580 031x** key switch
 - ⑫ = **B 5469 0010** door contact set, white
 - ⑬ = **6-xxxxx-xx-x-x** concealed cable link
 - ⑭ = Swing-door drive
- B 5494 0004** plug-in power supply 24 V DC (1 A)

Functional description

Inside

The locking element (electric escape door strike) is released via key switch or cylinder cam monitoring on the lock. The door can then be opened from the inside at any time (escape door). When the emergency push-button is pressed, the locking element (electric escape door strike) is enabled immediately and an alarm sounds. The door leaf can then be opened from the inside at any time (panic function).

Outside

The door is opened from the outside via the key switch. This authorises activation of the locking element.



Overview

Product characteristics	180
-------------------------	-----

Manual-locking locking systems

Mortise locks	182
Mortise locks with panic function	224
Mortise locks with panic function – series 23	228

Self-locking locking systems

Mortise locks – series 21	294
Mortise locks with panic function – series 21	298

Self-locking locking systems

Multi-point locks – series 21	352
Multi-point locks with panic function – series 21	354

Accessories

Locks	376
Strikers	384
Miscellaneous	402



Product characteristics of manual-locking and self-locking locking systems

Material		Application range							Standards	Products			
Timber/Steel	1-leaf doors	2-leaf doors	Manual-locking locking systems	Mortise locks	Mortise locks with panic function	Self-locking locking systems	Mortise locks	Mortise locks with panic function	Multi-point locks with panic function	Approval	Mechanical locks	Mechatronic locks	
■	■		■	■								■	Grade 1–5 to DIN 18251
■	■		■	■								■	1206 fire rated door lock
■	■		■	■								■	0024 entrance door lock
■	■		■	■								■	Miscellaneous locks
■	■		■	■								■	Radius bolt locks
■	■		■	■								■	Hook latch locks
■	■	■	■	■	■						■	Series 23	
■	■					■	■					■	2124, 2154 'Butler'
■	■	■				■		■			■	Series 21	
■	■					■		■			■	EVP electrically-locking panic locks series 21	
■	■	■				■		■			■	■	Series 21 radio battery lock
■	■	■				■		■			■	■	SECURY 21



Suitability for fire protection
Approved for fire and smoke protection doors



CE Marking
Compliance with the directives for free movement of goods within the EU



Suitable for escape doors
Approved emergency exits (EN 179) and panic doors (EN 1125)



RC-tested to EN 1627

Burglar resistance
Tested and certified for various security classes to meet individual security demands

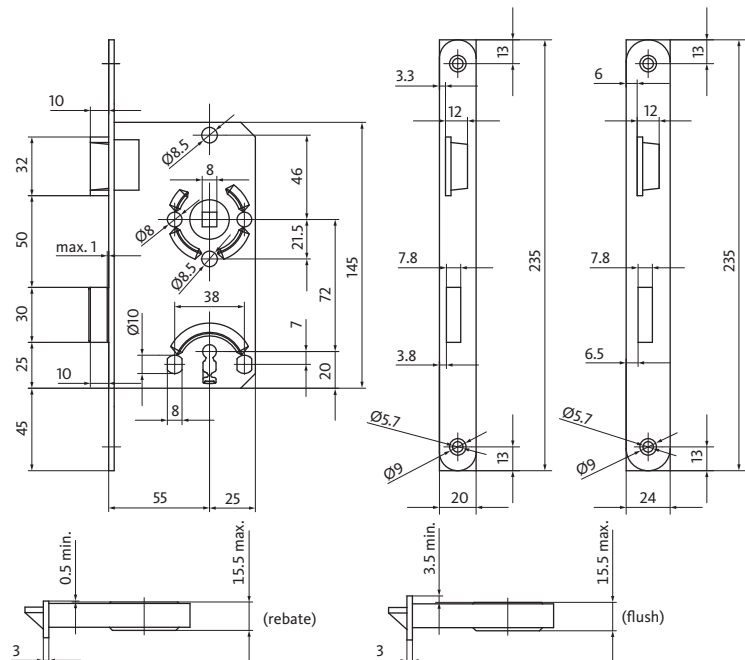


Loss prevention
Valued and approved by the German Association of Non-Life Insurers according to individual directives for the prevention of loss.

		Versions																						
		Single deadbolt throw of 20 mm	Double deadbolt throw of 2 x 10 mm	PC 72 mm	PC 92 mm	CH-RC 74 mm	Warded 72 mm	Bathroom 72 mm	Bathroom 78 mm	Panic function B	Panic function C	Panic function D	Panic function E	Top-locking feature	Key-controlled latch holdback	Latch (latchbolt) monitoring	Deadbolt monitoring	Follower monitoring	Cylinder cam monitoring	Electrically coupled	EVP electrically-locking panic lock	Radio battery lock	Motor-driven lock (A-opener)	
			■	■		■	■		■															
			■	■		■																		
			■		■																			
				■																				
			■	■		■				■	■	■	■	■	■	■	■	■	■	■				
		■		■	■																			
		■		■		■				■	■		■	■	■	■	■			■	■	■		
				■		■					■	■								■	■		■	
				■		■				■	■	■	■	■	■	■					■			■

0215 interior door lock

to DIN 18251, grade 1



Functional description

Standard function

Passage possible from both sides by operating the lever handle. Use the key or the thumbturn to move the deadbolt to the locked position.

Product description

0215 interior door lock

- Approved to DIN 18251-1, grade 1
- Nickel silver or satin stainless steel faceplate
- 8 mm follower
- Latch and deadbolt made of PVC
- Incl. 1 key

0215 warded lock

Faceplate Finish	Backset mm	Faceplate Shape	18 mm faceplate for rebated doors		20 mm faceplate for rebated doors		24 mm faceplate for flush doors	
			DIN LH	DIN RH	DIN LH	DIN RH	DIN LH	DIN RH
Steel nickel silver	55	Square	02150293	02150294	02150297	02150298	02150207	02150301
		Round	02150180	02150109	02150087	02150106	02150170	02150171
Satin stainless steel	55	Square	-	-	02150299	02150300	02150302	02150303
		Round	02150285	02150286	02150105	02150088	02150287	02150288

0215 bathroom lock

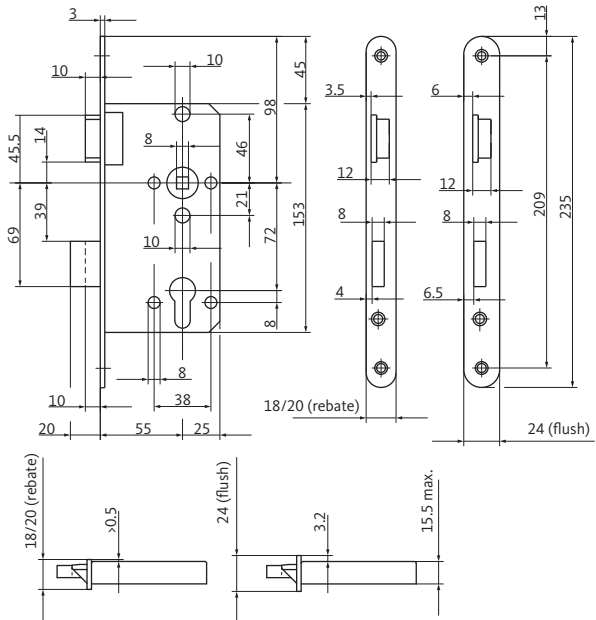
Faceplate Finish	Backset mm	Faceplate Shape	18 mm faceplate for rebated doors		20 mm faceplate for rebated doors		24 mm faceplate for flush doors	
			DIN LH	DIN RH	DIN LH	DIN RH	DIN LH	DIN RH
Steel nickel silver	55	Square	02150305	02150306	02150311	02150312	02150315	02150316
		Round	02150307	02150308	02150049	02150050	02150172	02150173
Satin stainless steel	55	Round	02150289	02150290	02150067	02150068		

Additional options (available on request)

Faceplate		Follower	Backset, mm	Special versions	Suitable strikers	
Material/Finish	Width				S 401	2808
-	-	-	-	-	S 404	2809
					S 411	2828

0415 interior door lock

to DIN 18251, grade 2



Functional description

Standard function

Passage possible from both sides by operating the lever handle.
Use the key to move the deadbolt to the locked position.

Product description

0415 interior door lock

- Approved to DIN 18251-1, grade 2
- Nickel silver or satin stainless steel faceplate
- 8 mm follower
- Zinc-die cast latch and deadbolt
- With latch lever
- PC 72 mm hole distance

0415 cylinder lock

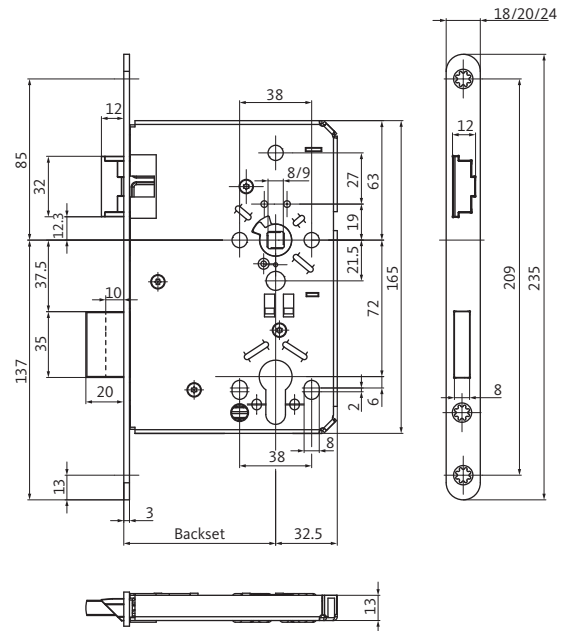
Faceplate Finish	Backset mm	Faceplate Shape	18 mm faceplate for rebated doors		20 mm faceplate for rebated doors		24 mm faceplate for flush doors	
			DIN LH	DIN RH	DIN LH	DIN RH	DIN LH	DIN RH
Steel nickel silver	55	Square	04150034	04150035	04150005	04150006	04150007	04150008
		Round	04150031	04150032	04150009	04150010	04150017	04150018
Satin stainless steel	55	Square	04150077	04150078	04150079	04150080	04150081	04150082
		Round	04150067	04150068	04150019	04150020	04150041	04150042

Additional options (available on request)

Faceplate		Follower	Backset, mm	Special versions	Suitable strikers	
Material/Finish	Width				S 401	2808
-	-	-	-	-	S 404	2809
					S 411	2828

B-0515 project lock

to DIN 18251, grade 3



Functional description

Standard function

Passage possible from both sides by operating the lever handle.
Use the key to move the deadbolt to the locked position.

Product description

B-0515 project lock

- Approved to DIN 18251-1, grade 3
- Nickel silver or satin stainless steel faceplate
- 8 mm follower
- Zinc-die cast latch and deadbolt
- With latch lever
- PC 72 mm hole distance
- Available with optionally silent latch

B-0515 project lock for profile cylinder, grade 3

Faceplate Finish	Backset mm	Faceplate Shape	Faceplate 20 x 3 x 235 mm		Faceplate 24 x 3 x 235 mm	
			DIN LH	DIN RH	DIN LH	DIN RH
Steel nickel silver	55	Round	B-05150-09-L-1	B-05150-09-R-1	B-05150-17-L-1	B-05150-17-R-1
	60	Round	B-05150-11-L-1	B-05150-11-R-1	B-05150-19-L-1	B-05150-19-R-1
	65	Round	B-05150-13-L-1	B-05150-13-R-1	B-05150-21-L-1	B-05150-21-R-1
	80	Round	B-05150-15-L-1	B-05150-15-R-1	B-05150-23-L-1	B-05150-23-R-1
Satin stainless steel	55	Round	B-05150-59-L-8	B-05150-59-R-8	B-05150-67-L-8	B-05150-67-R-8
	60	Round	B-05150-61-L-8	B-05150-61-R-8	B-05150-69-L-8	B-05150-69-R-8
	65	Round	B-05150-63-L-8	B-05150-63-R-8	B-05150-71-L-8	B-05150-71-R-8
	80	Round	B-05150-65-L-8	B-05150-65-R-8	B-05150-73-L-8	B-05150-73-R-8

B-0515 bathroom project lock

Faceplate Material/Finish	Backset mm	Faceplate Shape	Faceplate 20 x 3 x 235 mm		Faceplate 24 x 3 x 235 mm	
			DIN LH	DIN RH	DIN LH	DIN RH
Steel nickel silver	55	Round	B-05150-33-L-1	B-05150-33-R-1	B-05150-41-L-1	B-05150-41-R-1
	60	Round	B-05150-35-L-1	B-05150-35-R-1	B-05150-43-L-1	B-05150-43-R-1
	65	Round	B-05150-37-L-1	B-05150-37-R-1	B-05150-45-L-1	B-05150-45-R-1
	80	Round	B-05150-39-L-1	B-05150-39-R-1	B-05150-47-L-1	B-05150-47-R-1
Satin stainless steel	55	Round	B-05150-83-L-8	B-05150-83-R-8	B-05150-91-L-8	B-05150-91-R-8
	60	Round	B-05150-85-L-8	B-05150-85-R-8	B-05150-93-L-8	B-05150-93-R-8
	65	Round	B-05150-87-L-8	B-05150-87-R-8	B-05150-95-L-8	B-05150-95-R-8
	80	Round	B-05150-89-L-8	B-05150-89-R-8	B-05150-97-L-8	B-05150-97-R-8

Additional options (available on request)

Faceplate		Follower	Backset, mm	Special versions	Suitable strikers	
Material/Finish	Width				S 401	2808
-	-	9 mm	-	-	S 404	2809
					S 407	2828
					S 411	

B-0615 heavy-duty lock for profile cylinder, grade 5

Faceplate Finish	Backset mm	Faceplate Shape	Faceplate 20 x 3 x 235 mm		Faceplate 24 x 3 x 235 mm	
			DIN LH	DIN RH	DIN LH	DIN RH
Satin stainless steel	55	Round	B-06150-11-L-8	B-06150-11-R-8	B-06150-21-L-8	B-06150-21-R-8
	60	Round	B-06150-13-L-8	B-06150-13-R-8	B-06150-23-L-8	B-06150-23-R-8
	65	Round	B-06150-15-L-8	B-06150-15-R-8	B-06150-25-L-8	B-06150-25-R-8
	80	Round	B-06150-17-L-8	B-06150-17-R-8	B-06150-27-L-8	B-06150-27-R-8
	100	Round	B-06150-19-L-8	B-06150-19-R-8	B-06150-29-L-8	B-06150-29-R-8

B-0615 heavy-duty bathroom lock

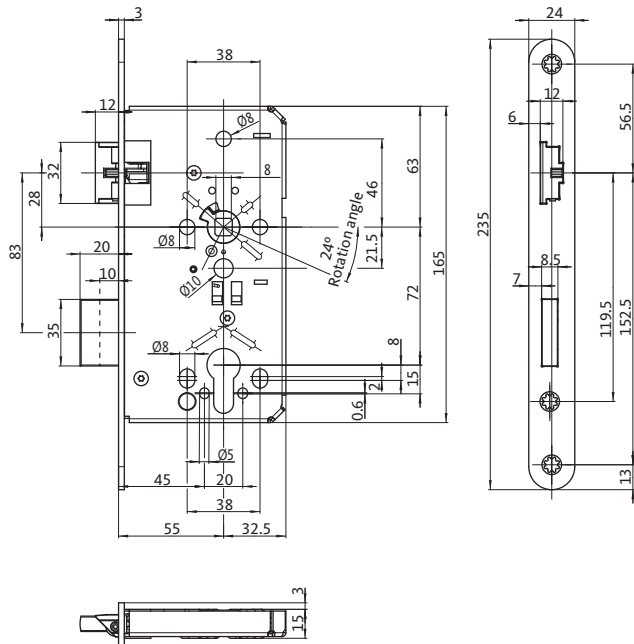
Faceplate Finish	Backset mm	Faceplate Shape	Faceplate 20 x 3 x 235 mm		Faceplate 24 x 3 x 235 mm	
			DIN LH	DIN RH	DIN LH	DIN RH
Satin stainless steel	55	Round	B-06150-B1-L-8	B-06150-B1-R-8	B-06150-C1-L-8	B-06150-C1-R-8
	60	Round	B-06150-B3-L-8	B-06150-B3-R-8	B-06150-C3-L-8	B-06150-C3-R-8
	65	Round	B-06150-B5-L-8	B-06150-B5-R-8	B-06150-C5-L-8	B-06150-C5-R-8
	80	Round	B-06150-B7-L-8	B-06150-B7-R-8	B-06150-C7-L-8	B-06150-C7-R-8
	100	Round	B-06150-B9-L-8	B-06150-B9-R-8	B-06150-C9-L-8	B-06150-C9-R-8

Additional options (available on request)

Faceplate	Width	Follower	Backset mm	Special versions		Suitable strikers
Material/Finish						
-	-	9 mm clamping follower	-	Latch lock Deadbolt lock Latch and deadbolt monitoring contact	CH-RC hole-type	S 350 S 500 S 204 S 241

B-0515 project lock

to DIN 18251, grade 3, with silent latch



Functional description

Standard function

Passage possible from both sides by operating the lever handle.
Use the key to move the deadbolt to the locked position.

Product description

B-0515 project lock

- Approved to DIN 18251-1, grade 3
- Satin stainless steel faceplate
- 8 mm follower
- Silent latch made of fibreglass-reinforced PVC
- Zinc die-cast deadbolt
- With latch lever
- PC 72 mm hole distance

B-0515 project lock for profile cylinder, grade 3, with silent latch

Faceplate Finish	Backset mm	Faceplate Shape	Faceplate 20 x 3 x 235 mm		Faceplate 24 x 3 x 235 mm	
			DIN LH	DIN RH	DIN LH	DIN RH
Satin stainless steel	55	Round	B-05150-10-L-8	B-05150-10-R-8	B-05150-11-L-8	B-05150-11-R-8
	65	Round	B-05150-14-L-8	B-05150-14-R-8	B-05150-15-L-8	B-05150-15-R-8
	80	Round	B-05150-16-L-8	B-05150-16-R-8	B-05150-17-L-8	B-05150-17-R-8

B-0515 bathroom project lock with silent latch

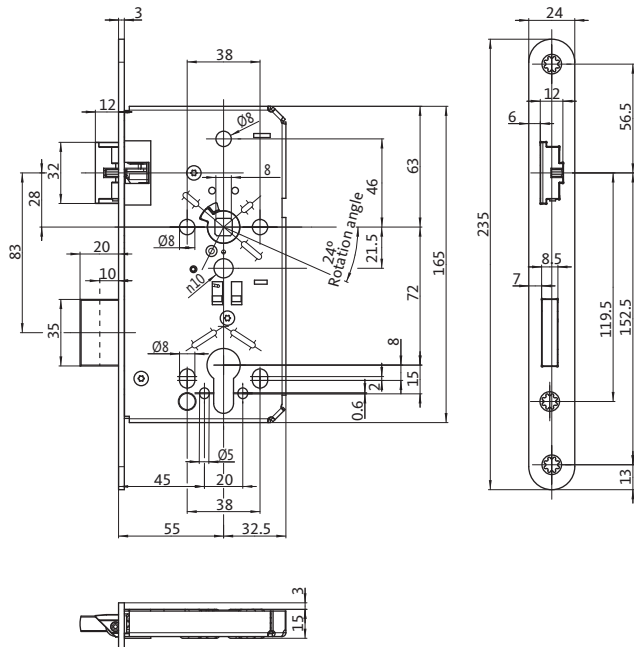
Faceplate Material/Finish	Backset mm	Faceplate Shape	Faceplate 20 x 3 x 235 mm		Faceplate 24 x 3 x 235 mm	
			DIN LH	DIN RH	DIN LH	DIN RH
Satin stainless steel	55	Round	B-05150-J0-L-8	B-05150-J0-R-8	B-05150-J1-L-8	B-05150-J1-R-8
	65	Round	B-05150-J2-L-8	B-05150-J2-R-8	B-05150-J3-L-8	B-05150-J3-R-8
	80	Round	B-05150-J4-L-8	B-05150-J4-R-8	B-05150-J5-L-8	B-05150-J5-R-8

Additional options (available on request)

Faceplate		Follower	Backset, mm	Special versions	Suitable strikers	
Material/Finish	Width					
-	-	9 mm	-	-	S 401	2808
					S 404	2809
					S 407	2828
					S 411	

B-0615 heavy-duty lock

to DIN 18251, grade 5, with silent latch



Functional description

Standard function

Passage possible from both sides by operating the lever handle.
Use the key to move the deadbolt to the locked position.

Product description

B-0615 heavy-duty lock

- Approved to DIN 18251-1, grade 5
- Satin stainless steel faceplate
- 8 mm clamping follower
- Silent latch made of fibreglass-reinforced PVC
- Steel deadbolt
- With latch lever
- 72 mm (PC), 74 mm (CH-RC) hole distance

B-0615 heavy-duty lock for profile cylinder, grade 5

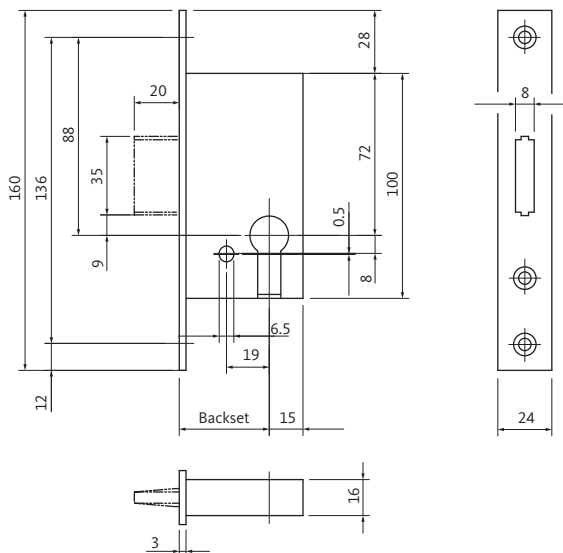
Faceplate Finish	Backset mm	Faceplate Shape	Faceplate 20 x 3 x 235 mm		Faceplate 24 x 3 x 235 mm	
			DIN LH	DIN RH	DIN LH	DIN RH
Satin stainless steel	55	Round	B-06150-N0-L-8	B-06150-N0-R-8	B-06150-N1-L-8	B-06150-N1-R-8
	60	Round	-	-	B-06150-N6-L-8	B-06150-N6-R-8
	65	Round	B-06150-N2-L-8	B-06150-N2-R-8	B-06150-N3-L-8	B-06150-N3-R-8
	80	Round	B-06150-N4-L-8	B-06150-N4-R-8	B-06150-N5-L-8	B-06150-N5-R-8

Additional options (available on request)

Faceplate		Follower	Backset mm	Suitable strikers
Material/Finish	Width			
-	-	9 mm clamping follower	-	S 350
				S 500
				S 204
				S 241

B 1308 deadbolt lock

for 1-leaf doors



Functional description

Standard function

Passage possible from both sides by operating the lever handle.
Use the key to move the deadbolt to the locked position.

Product description

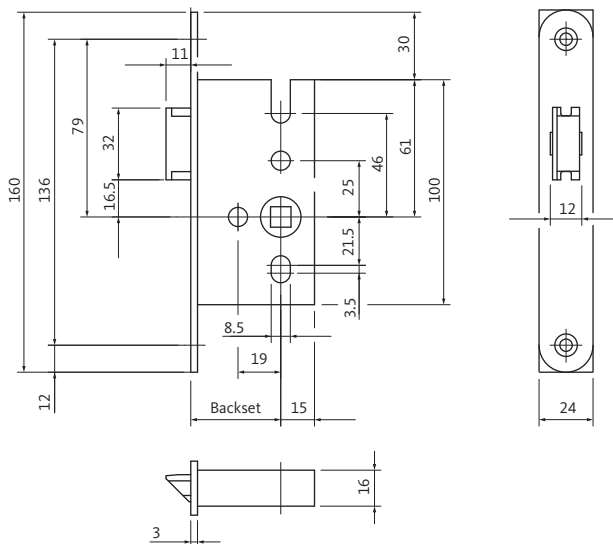
B 1308 deadbolt lock

- Nickel silver or satin stainless steel faceplate
- Deadbolt, 1-turn (20 mm)

B 1308 deadbolt lock				
Faceplate Finish	Backset mm	Faceplate Shape	Faceplate 20 x 3 x 160 mm	Faceplate 24 x 3 x 160 mm
Steel nickel silver	55	Square	B 1308 0197	B 1308 0017
		Round	B 1308 0177	B 1308 0157
	65	Square	B 1308 0199	B 1308 0019
		Round	B 1308 0179	B 1308 0159
Satin stainless steel	55	Square	B 1308 0187	B 1308 0007
		Round	B 1308 0167	B 1308 0147
	65	Square	B 1308 0189	B 1308 0009
		Round	B 1308 0169	B 1308 0149

B 1307 latch lock

for 1-leaf doors



Functional description

Standard function

Passage possible from both sides by operating the lever handle.

Product description

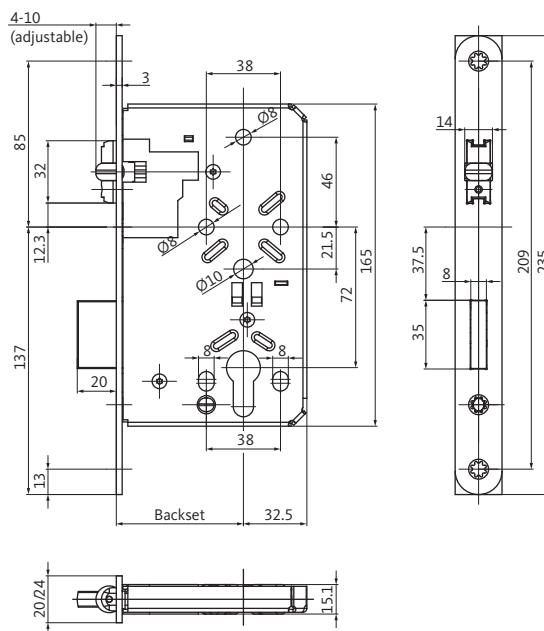
B 1307 latch lock

- Nickel silver or satin stainless steel faceplate
- Reversible zinc-die cast latch
- 8 mm follower

B 1307 latch lock				
Faceplate Finish	Backset mm	Faceplate Shape	Faceplate 20 x 3 x 160 mm Non-handed	Faceplate 24 x 3 x 160 mm Non-handed
Steel nickel silver	55	Square	B 1307 0127	B 1307 0017
		Round	B 1307 0147	B 1307 0177
	65	Square	B 1307 0129	B 1307 0019
		Round	B 1307 0149	B 1307 0179

B-0055 swing door lock

for 1-leaf doors



Functional description

Standard function

Passage possible from both sides by operating the lever handle.
Use the key to move the deadbolt to the locked position.

Product description

B-0055 swing door lock

- Nickel silver or satin stainless steel faceplate
- Roller latch made of die-cast zinc with plastic roller for particularly quiet closing
- Single-turn 20 mm zinc die-cast deadbolt
- PC 72 mm hole distance

B-0055 swing door lock				
Faceplate Finish	Backset mm	Faceplate Shape	Faceplate 20 x 3 x 235 mm Non-handed	Faceplate 24 x 3 x 235 mm Non-handed
Steel nickel silver	55	Square	B-00550-00-0-1	B-00550-04-0-1
		Round	B-00550-01-0-1	B-00550-05-0-1
	60	Square	B-00550-08-0-1	B-00550-12-0-1
		Round	B-00550-09-0-1	B-00550-13-0-1
	65	Square	B-00550-16-0-1	B-00550-20-0-1
		Round	B-00550-17-0-1	B-00550-21-0-1
Satin stainless steel	55	Square	B-00550-02-0-8	B-00550-06-0-8
		Round	B-00550-03-0-8	B-00550-07-0-8
	60	Square	B-00550-10-0-8	B-00550-14-0-8
		Round	B-00550-11-0-8	B-00550-15-0-8
	65	Square	B-00550-18-0-8	B-00550-22-0-8
		Round	B-00550-19-0-8	B-00550-23-0-8

0353 sliding door lock

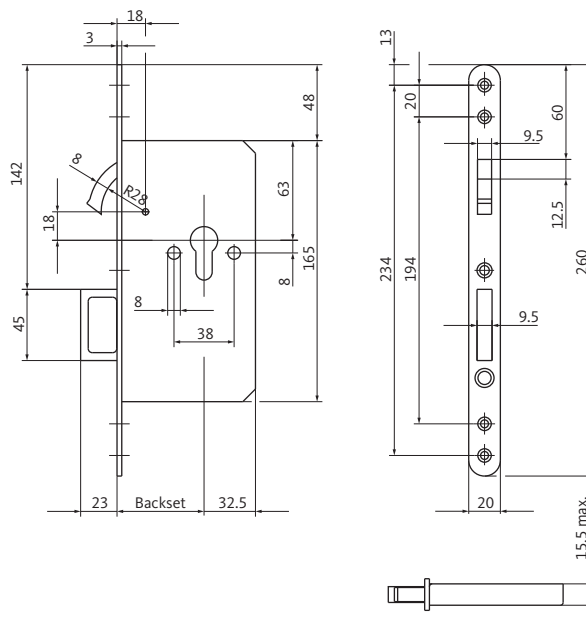
with radius bolt



0353 sliding door lock



G353 strike box



Functional description

Standard function

Passage possible from both sides. Use the key to move the radius bolt to the locked position. The trip handle can be extended by a release button on the faceplate.

Product description

0353 sliding door lock

- With trip handle and release button
- Nickel silver or satin stainless steel faceplate
- Radius bolt

0353 sliding door lock

Faceplate Finish	Backset mm	Faceplate Shape	Faceplate 20 mm
Steel nickel silver	55	Square	03531001
		Round	03530052

G353 strike box for 0353 sliding door lock

Faceplate Material/Finish	Backset mm	Faceplate Shape	Faceplate 20 mm
Steel nickel silver	55	Square	G3531001
		Round	G3530017

Additional options (available on request)

Faceplate		Follower	Backset, mm	Special versions	Suitable striker
Material/Finish	Width				
Satin stainless steel	-	-	60 65	-	S 413

0371 / 0372 sliding door lock

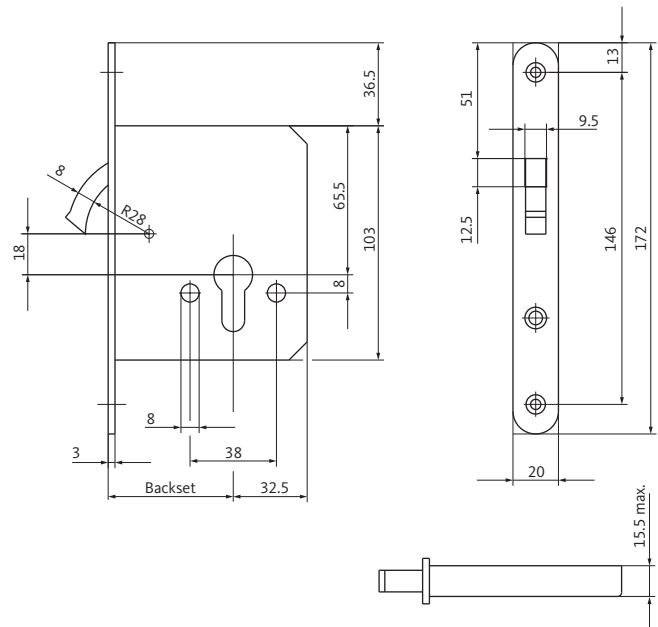
with radius bolt



0371 for locking cylinder



0372 with warded keyhole



Functional description

Standard function

Passage possible from both sides. Use the key to move the radius bolt to the locked position.

Product description

0371 / 0372 sliding door lock

- Nickel silver or satin stainless steel faceplate
- Radius bolt
- Incl. 1 key or foldable key (with lock 0372)

0371 sliding door for locking cylinder			
Faceplate Finish	Backset mm	Faceplate Shape	Faceplate 20 mm
Steel nickel silver	55	Square	03710039
		Round	03710040

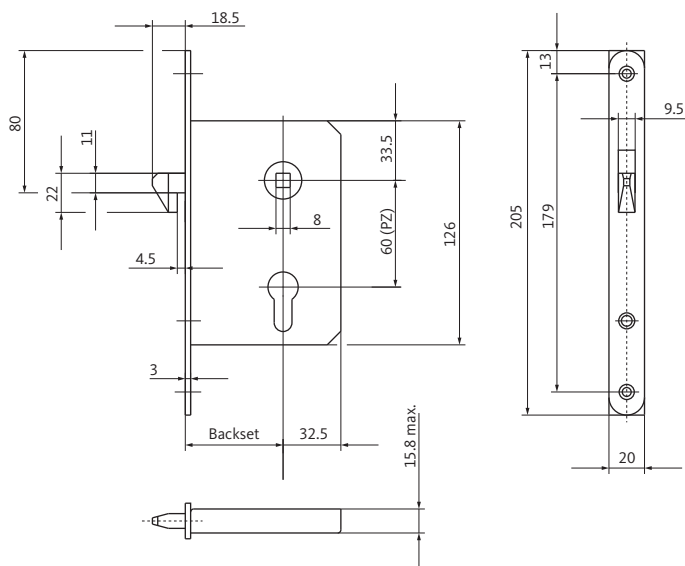
0371 warded sliding door lock with non-foldable key			
Faceplate Finish	Backset mm	Faceplate Shape	Faceplate 20 mm
Steel nickel silver	55	Square	03710123
		Round	03710089

0372 warded sliding door lock with foldable key			
Faceplate Finish	Backset mm	Faceplate Shape	Faceplate 20 mm
Steel nickel silver	55	Square	03720019
		Round	03720006

Additional options (available on request)					
Faceplate		Follower	Backset, mm	Special versions	Suitable striker
Material/Finish	Width				
Satin stainless steel	–	–	60 65	–	S 413

0375 sliding door lock

with hook latch



Functional description

Standard function

Passage possible from both sides by operating the lever handle.
Mechanical access from outside using the key.
Thereby the hook latch is lifted.

Product description

0375 sliding door lock

- Nickel silver or satin stainless steel faceplate
- 8 mm follower
- Steel hook latch
- PC 60 mm hole distance

0375 sliding door lock with hook latch

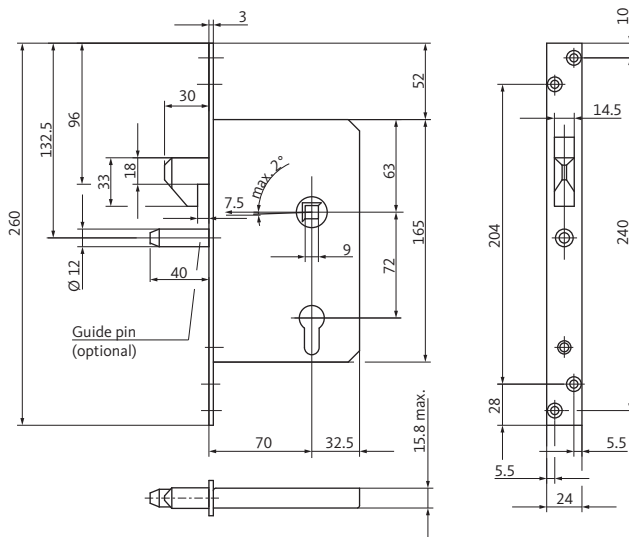
Faceplate Finish	Backset mm	Faceplate Shape	Faceplate 20 mm
Steel nickel silver	55	Square	03750014
		Round	03750069

Additional options (available on request)

Faceplate		Follower	Backset, mm	Special versions	Suitable striker
Material/Finish	Width				
Satin stainless steel	-	-	60 65	-	S 413

0381 sliding door lock

with hook latch



Functional description

Standard function

Passage possible from both sides by operating the lever handle.
Mechanical access from outside using the key.
Thereby the hook latch is lifted.

Product description

0381 sliding door lock

- Galvanised or satin stainless steel faceplate
- 8 mm follower
- Steel hook latch
- PC 72 mm hole distance

0381H sliding door lock with hook latch

Faceplate Finish	Backset mm	Faceplate Shape	Faceplate 24 mm Non-handed
Galvanised	55	Square	03810007
	65	Square	03810008
	70	Square	03810017
	80	Square	03810010

0381HF sliding door lock with hook latch and guide pin

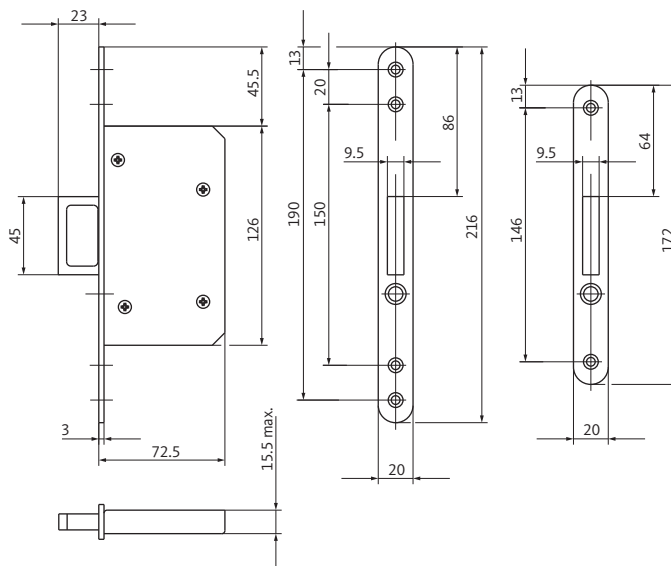
Faceplate Finish	Backset mm	Faceplate Shape	Faceplate 24 mm Non-handed
Galvanised	65	Square	03810009
	70	Square	03810016

Additional options (available on request)

Faceplate		Follower	Backset, mm	Special versions	Suitable striker
Material/Finish	Width				
Satin stainless steel	-	-	-	-	S 448

0393 sliding door lock

with projecting trip handle



Functional description

Standard function

The trip handle can be extended by a release button on the faceplate.

Product description

0393 sliding door lock

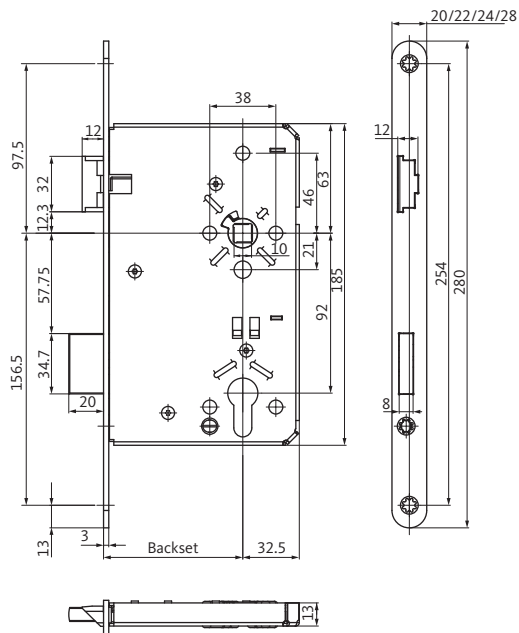
- With trip handle and release button
- Nickel silver or satin stainless steel faceplate

0393 sliding door lock with projecting trip handle

Faceplate Finish	Backset mm	Faceplate Shape	Faceplate 20 x 3 x 216 m Non-handed	Faceplate 20 x 3 x 172 mm Non-handed
Steel nickel silver	-	Square	03930023	-
		Round	03930017	-
Satin stainless steel	-	Square	-	-
		Round	03930009	03930030

B-0024 entrance door lock

for 1-leaf doors



Functional description

Standard function

Passage possible from both sides by operating the lever handle.
Use the key to move the deadbolt to the locked position.

Product description

B-0024 entrance door lock

- Nickel silver or satin stainless steel faceplate
- 10 mm follower
- Zinc-die cast latch and deadbolt
- With latch lever
- PC 92 mm hole distance

B-0024 entrance door lock for rebated doors

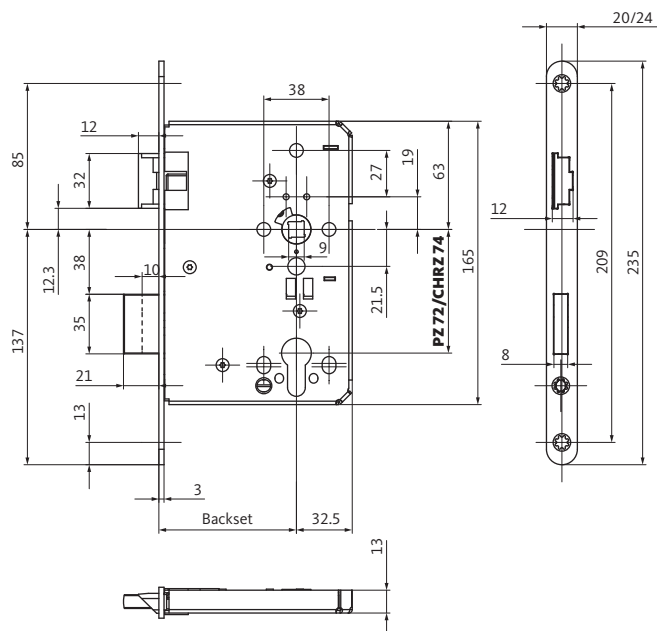
Faceplate Finish	Backset mm	Faceplate Shape	Faceplate 20 x 3 x 280 mm		Faceplate 22 x 3 x 280 mm		Faceplate 24 x 3 x 280 mm		
			Rebated doors		Rebated doors		Rebated doors		
			DIN LH	DIN RH	DIN LH	DIN RH	DIN LH	DIN RH	
Steel nickel silver	55	Square	B-00240-00-L-1	B-00240-00-R-1	B-00240-10-L-1	B-00240-10-R-1	B-00240-20-L-1	B-00240-20-R-1	
		Round	B-00240-01-L-1	B-00240-01-R-1	B-00240-11-L-1	B-00240-11-R-1	B-00240-21-L-1	B-00240-21-R-1	
	60	Square	B-00240-02-L-1	B-00240-02-R-1	B-00240-12-L-1	B-00240-12-R-1	B-00240-22-L-1	B-00240-22-R-1	
		Round	B-00240-03-L-1	B-00240-03-R-1	B-00240-13-L-1	B-00240-13-R-1	B-00240-23-L-1	B-00240-23-R-1	
	65	Square	B-00240-04-L-1	B-00240-04-R-1	B-00240-14-L-1	B-00240-14-R-1	B-00240-24-L-1	B-00240-24-R-1	
		Round	B-00240-05-L-1	B-00240-05-R-1	B-00240-15-L-1	B-00240-15-R-1	B-00240-25-L-1	B-00240-25-R-1	
	80	Square	B-00240-06-L-1	B-00240-06-R-1	B-00240-16-L-1	B-00240-16-R-1	B-00240-26-L-1	B-00240-26-R-1	
		Round	B-00240-07-L-1	B-00240-07-R-1	B-00240-17-L-1	B-00240-17-R-1	B-00240-27-L-1	B-00240-27-R-1	
	Satin stainless steel	55	Square	B-00240-50-L-8	B-00240-50-R-8	B-00240-60-L-8	B-00240-60-R-8	B-00240-70-L-8	B-00240-70-R-8
			Round	B-00240-51-L-8	B-00240-51-R-8	B-00240-61-L-8	B-00240-61-R-8	B-00240-71-L-8	B-00240-71-R-8
		60	Square	B-00240-52-L-8	B-00240-52-R-8	B-00240-62-L-8	B-00240-62-R-8	B-00240-72-L-8	B-00240-72-R-8
			Round	B-00240-53-L-8	B-00240-53-R-8	B-00240-63-L-8	B-00240-63-R-8	B-00240-73-L-8	B-00240-73-R-8
65		Square	B-00240-54-L-8	B-00240-54-R-8	B-00240-64-L-8	B-00240-64-R-8	B-00240-74-L-8	B-00240-74-R-8	
		Round	B-00240-55-L-8	B-00240-55-R-8	B-00240-65-L-8	B-00240-65-R-8	B-00240-75-L-8	B-00240-75-R-8	
80		Square	B-00240-56-L-8	B-00240-56-R-8	B-00240-66-L-8	B-00240-66-R-8	B-00240-76-L-8	B-00240-76-R-8	
		Round	B-00240-57-L-8	B-00240-57-R-8	B-00240-67-L-8	B-00240-67-R-8	B-00240-77-L-8	B-00240-77-R-8	

B-0024 entrance door lock for flush doors

Faceplate Finish	Backset mm	Faceplate Shape	Faceplate 24 x 3 x 280 mm		Faceplate 28 x 3 x 280 mm		
			Flush doors		Flush doors		
			DIN LH	DIN RH	DIN LH	DIN RH	
Steel nickel silver	55	Square	B-00240-30-L-1	B-00240-30-R-1	B-00240-40-L-1	B-00240-40-R-1	
		Round	B-00240-31-L-1	B-00240-31-R-1	B-00240-41-L-1	B-00240-41-R-1	
	60	Square	B-00240-32-L-1	B-00240-32-R-1	B-00240-42-L-1	B-00240-42-R-1	
		Round	B-00240-33-L-1	B-00240-33-R-1	B-00240-43-L-1	B-00240-43-R-1	
	65	Square	B-00240-34-L-1	B-00240-34-R-1	B-00240-44-L-1	B-00240-44-R-1	
		Round	B-00240-35-L-1	B-00240-35-R-1	B-00240-45-L-1	B-00240-45-R-1	
	80	Square	B-00240-36-L-1	B-00240-36-R-1	B-00240-46-L-1	B-00240-46-R-1	
		Round	B-00240-37-L-1	B-00240-37-R-1	B-00240-47-L-1	B-00240-47-R-1	
	Satin stainless steel	55	Square	B-00240-80-L-8	B-00240-80-R-8	B-00240-90-L-8	B-00240-90-R-8
			Round	B-00240-81-L-8	B-00240-81-R-8	B-00240-91-L-8	B-00240-91-R-8
		60	Square	B-00240-82-L-8	B-00240-82-R-8	B-00240-92-L-8	B-00240-92-R-8
			Round	B-00240-83-L-8	B-00240-83-R-8	B-00240-93-L-8	B-00240-93-R-8
65		Square	B-00240-84-L-8	B-00240-84-R-8	B-00240-94-L-8	B-00240-94-R-8	
		Round	B-00240-85-L-8	B-00240-85-R-8	B-00240-95-L-8	B-00240-95-R-8	
80		Square	B-00240-86-L-8	B-00240-86-R-8	B-00240-96-L-8	B-00240-96-R-8	
		Round	B-00240-87-L-8	B-00240-87-R-8	B-00240-97-L-8	B-00240-97-R-8	

B 1206 fire rated door lock

for 1-leaf doors to DIN 18250, grade 5



Functional description

Standard function

Passage possible from both sides by operating the lever handle.
Use the key to move the deadbolt to the locked position.

Product description

B 1206 fire rated door lock

- Approved to DIN 18250, grade 5, EN 12209
- Satin stainless steel faceplate
- 9 mm clamping follower
- Steel latch and deadbolt
- With latch lever
- 72 mm (PC), 74 mm (CH-RC) hole distance

Classification code

EN 12209

3	S	3	1	0	C	6	B	C	2	0
---	---	---	---	---	---	---	---	---	---	---

Variants



PC
hole-type



CH-RC
hole-type

Standards



B-1206 fire rated door lock – grade 5

Faceplate Finish	Backset mm	Faceplate Shape	Faceplate 20 x 3 x 235 mm		Faceplate 24 x 3 x 235 mm	
			DIN LH	DIN RH	DIN LH	DIN RH
Satin stainless steel	55	Round	B-12060-50-L-8	B-12060-50-R-8	B-12060-54-L-8	B-12060-54-R-8
	65	Round	B-12060-51-L-8	B-12060-51-R-8	B-12060-55-L-8	B-12060-55-R-8
	80	Round	B-12060-52-L-8	B-12060-52-R-8	B-12060-56-L-8	B-12060-56-R-8
	100	Round	B-12060-53-L-8	B-12060-53-R-8	B-12060-57-L-8	B-12060-57-R-8

B-1206 fire rated door lock with CH-RC hole-type – grade 5

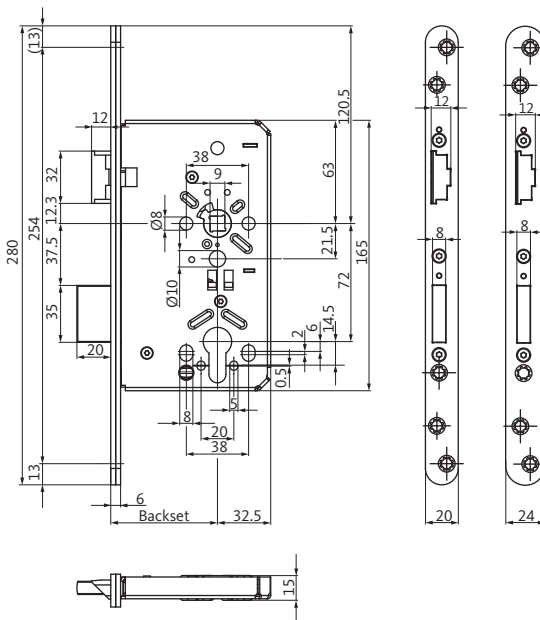
Faceplate Finish	Backset mm	Faceplate Shape	Faceplate 20 x 3 x 235 mm CH-RC hole-type		Faceplate 24 x 3 x 235 mm CH-RC hole-type	
			DIN LH	DIN RH	DIN LH	DIN RH
Satin stainless steel	55	Round	B-12060-41-L-8	B-12060-41-R-8	B-12060-47-L-8	B-12060-47-R-8
	65	Round	B-12060-88-L-8	B-12060-88-R-8	B-12060-58-L-8	B-12060-58-R-8
	80	Round	B-12060-77-L-8	B-12060-77-R-8	B-12060-59-L-8	B-12060-59-R-8

Additional options (available on request)

Faceplate		Follower	Backset, mm	Special versions	Suitable strikers	
Material/Finish	Width				DIN LH	DIN RH
-	-	-	-	Latch and deadbolt monitoring contact	B-90000-61-L-8	B-90000-61-R-8
					B-90000-05-0-8	

B-6306 security door lock

for 1-leaf doors



Functional description

Standard function

Passage possible from both sides by operating the lever handle.
Use the key to move the deadbolt to the locked position.

Product description

B-6306 security door lock

- Approved to DIN 18250, grade 5, EN 12209
- Nickel silver or satin stainless steel faceplate
- 9 mm clamping follower
- Steel latch and deadbolt
- With latch lever
- PC 72 mm hole distance

Classification code

EN 12209

3	S	3	1	0	C	6	B	C	2	0
---	---	---	---	---	---	---	---	---	---	---

Standards

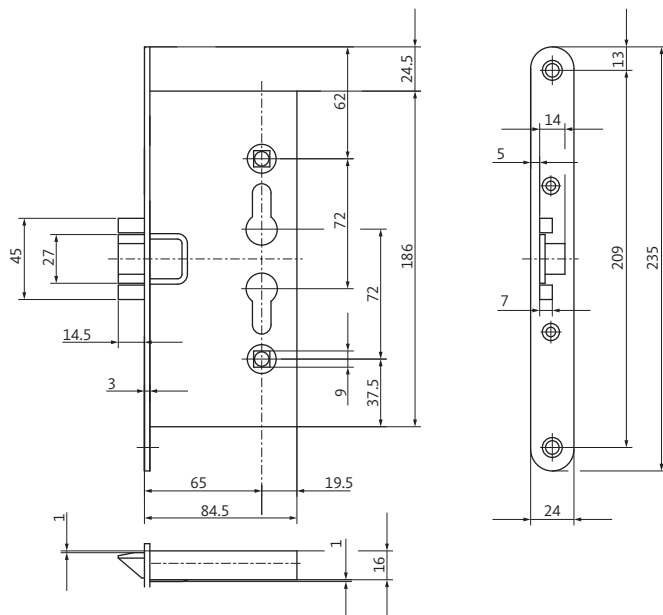


B-6306 security door lock

Faceplate Finish	Backset mm	Faceplate Shape	Faceplate 20 x 6 x 280 mm for rebated doors		Faceplate 24 x 6 x 280 mm for flush doors	
			DIN LH	DIN RH	DIN LH	DIN RH
Steel nickel silver	65	Round	B-63060-10-L-1	B-63060-10-R-1	B-63060-15-L-1	B-63060-15-R-1
Satin stainless steel	65	Round	B-63060-02-L-8	B-63060-02-R-8	B-63060-07-L-8	B-63060-07-R-8

B-1125 fire rated door lock

as single-latch version



Functional description

Standard function

Passage possible from both sides by operating the lever handle.
Use the key to move the deadbolt to the locked position.

Product description

B-1125 fire rated door lock

- Non-handed (DIN LH/RH usable)
- Galvanised faceplate
- 9 mm clamping follower
- Steel latch and additional deadbolt
- With latch lever
- PC 72 mm hole distance

Standards

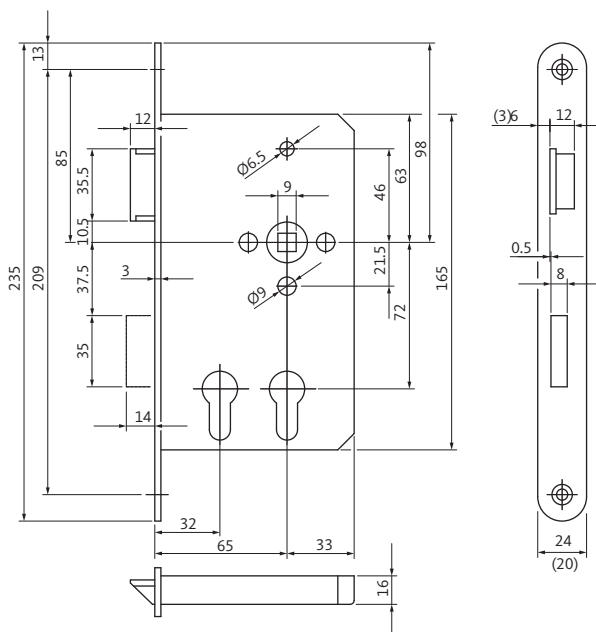


B-1125 fire rated door lock			
Faceplate Finish	Backset mm	Faceplate Shape	Faceplate 24 mm Non-handed
Galvanised steel	65	Round	B-11250-00-U-2

Additional options (available on request)					
Faceplate		Follower	Backset, mm	Special versions	Suitable striker
Material/Finish	Width				
-	-	-	-	-	B 9000 0775

B 2327 fire rated door lock

with two profile cylinder holes



Functional description

Standard function

On both sides, latch and deadbolt are retracted using either of the two keys. The lock features two differently keyed locking cylinders and is used for doors which are integrated into two separate master key systems.

Example: 1 cylinder for the master key system of the municipal utilities, 1 cylinder for the master key system of the power supply company. The authorised persons of each company can use their keys independently at any time to have access.

Product description

B 2327 fire rated door lock

- Approved to DIN 18250
- Prepared for two different locking cylinders
- Satin stainless steel faceplate
- 9 mm follower
- Steel latch and deadbolt
- With latch lever
- PC 72 mm hole distance

Standards



B 2327 fire rated door lock

Faceplate Finish	Backset mm	Faceplate Shape	Faceplate 20 x 3 x 235 mm		Faceplate 24 x 3 x 235 mm	
			DIN LH	DIN RH	DIN LH	DIN RH
Satin stainless steel	32/65	Round	B 2327 0003	B 2327 0004	B 2327 0007	B 2327 0008

Additional options (available on request)

Faceplate		Follower	Backset, mm	Special versions	Suitable strikers	
Material/Finish	Special faceplate				DIN LH	DIN RH
Satin stainless steel gold-plated	-	-	-	-	B-90000-61-L-8 B-90000-05-0-8	B-90000-61-R-8

B-2338 fire rated door lock, prepared for top-locking, with latch lever

Faceplate Finish	Backset mm	Faceplate Shape	Faceplate 20 x 3 x 285 mm		Faceplate 24 x 3 x 285 mm
			DIN LH	DIN RH	Non-handed
Satin stainless steel	55	Round	B-23380-00-L-8	B-23380-00-R-8	B-23380-20-L-8*
	60	Round	B-23380-01-L-8	B-23380-01-R-8	B-23380-21-L-8*
	65	Round	B-23380-02-L-8	B-23380-02-R-8	B-23380-22-L-8*
	80	Round	B-23380-03-L-8	B-23380-03-R-8	B-23380-23-L-8*
	100	Round	B-23380-04-L-8	B-23380-04-R-8	B-23380-24-L-8*

B-2338 fire rated door lock with CH-RC hole-type, prepared for top-locking, with latch lever

Faceplate Finish	Backset mm	Faceplate Shape	Faceplate 20 x 3 x 285 mm CH-RC hole-type		Faceplate 24 x 3 x 285 mm CH-RC hole-type
			DIN LH	DIN RH	Non-handed
Satin stainless steel	55	Round	B-23380-10-L-8	B-23380-10-R-8	B-23380-30-L-8*
	60	Round	B-23380-11-L-8	B-23380-11-R-8	B-23380-31-L-8*
	65	Round	B-23380-12-L-8	B-23380-12-R-8	B-23380-32-L-8*
	80	Round	B-23380-13-L-8	B-23380-13-R-8	B-23380-33-L-8*
	100	Round	B-23380-14-L-8	B-23380-14-R-8	B-23380-34-L-8*

***Make 1 out of 4 – and 4 out of 1**

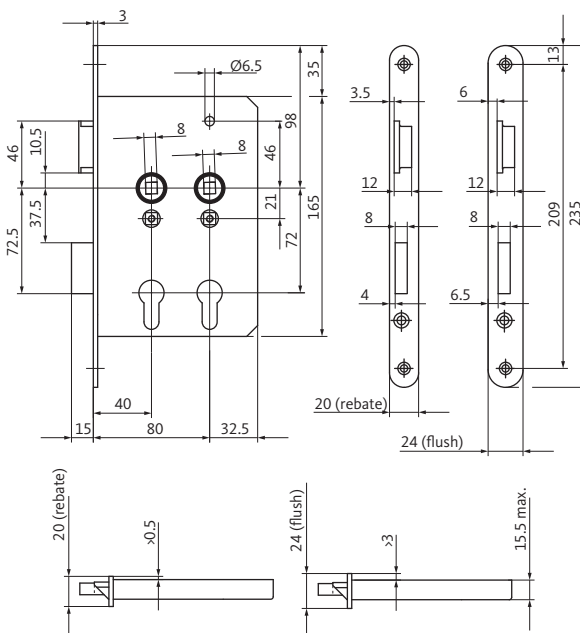
- Reversible latch (non-handed)
- Adaptable top-locking feature

Additional options (available on request)

Faceplate		Follower	Backset, mm	Special versions	Suitable strikers	
Material/Finish	Width				DIN LH	DIN RH
Stainless steel, gold-plated matt	–	–	–	Latch holdback Lock monitoring	B-90000-61-L-8	B-90000-61-R-8
					B-90000-05-0-8	

B 6043 lock for radiation protection doors

for 1-leaf doors



Product description

B 6043 lock for radiation protection doors

- Prepared for two different locking cylinders
- Satin stainless steel faceplate
- 8 mm follower
- Steel latch and deadbolt
- Available with or without latch lever
- PC 72 mm hole distance

B 6043 lock for radiation protection doors

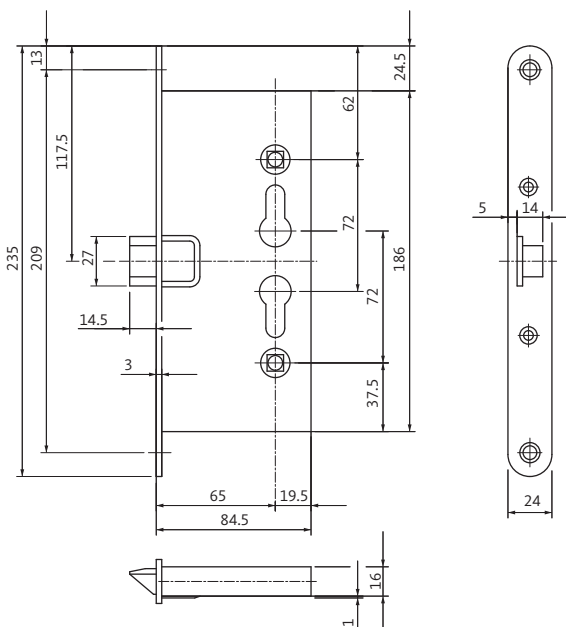
Faceplate Finish	Backset mm	Faceplate Shape	Specifications	20 mm faceplate for rebated doors		24 mm faceplate for flush doors	
				DIN LH	DIN RH	DIN LH	DIN RH
Satin stainless steel	40/80	Round	With latch lever	B 6043 0215	B 6043 0216	B 6043 0207	B 6043 0208
	–	–	Without latch lever	B 6043 0211	B 6043 0212	B 6043 0203	B 6043 0204

Additional options (available on request)

Faceplate		Follower	Backset, mm	Special versions	Suitable strikers	
Material/Finish	Width				S 204	S350 (20 x 20)
–	–	–	–	–	S 241	S 500

B-1125 fire rated door lock

as single-latch version



Functional description

Panic function B

Panic lock for single-leaf doors with panic function on the interior lever handle. The door can always be opened towards the outside. The exterior lever handle can be engaged or disengaged mechanically using the key.

For a detailed functional description see page 486

Panic function E

Panic lock for single-leaf doors with panic function on the interior lever handle. The door can always be opened towards the outside. Mechanical access from outside using the key (via the latch lever).

For a detailed functional description see page 489

Product description

B-1125 fire rated door lock

- Approved to EN 179 (emergency exits), EN 1125 (panic doors)
- Non-handed
- Galvanised faceplate
- 9 mm clamping follower
- Steel latch
- Available with or without latch lever
- PC 72 mm hole distance

Classification code

EN 179									
3	7	7	B	1	3	4	2	A	A/B/C/D
EN 1125									
3	7	7	B	1	3	2	1/2	A/B	B

Variants



PC hole-type

Standards



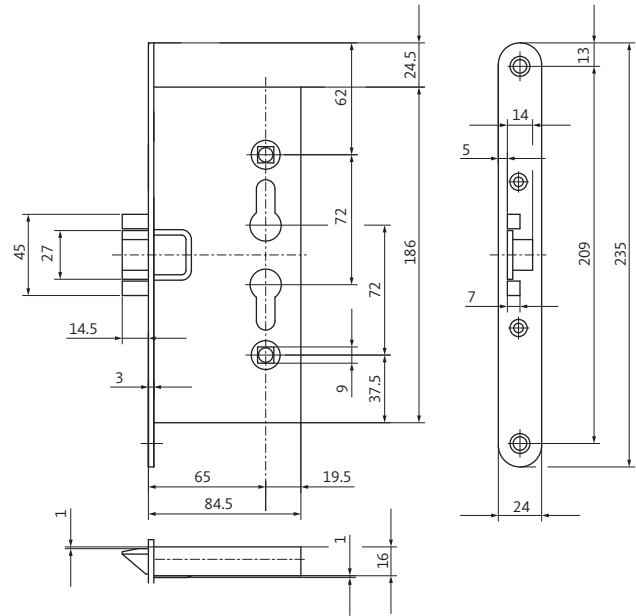
B-1125 fire rated door lock, without deadbolt			
Faceplate Finish	Backset mm	Faceplate Shape	Faceplate 24 x 3 x 235 mm Panic function E Non-handed
Galvanised steel	65	Round	B-11250-01-U-2

B-1125 fire rated door lock, without deadbolt			
Faceplate Finish	Backset mm	Faceplate Shape	Faceplate 24 x 3 x 235 mm Panic function B Non-handed
Galvanised steel	65	Round	B-11250-02-U-2

Additional options (available on request)					
Faceplate		Follower	Backset, mm	Special versions	Suitable striker
Material/Finish	Width				
-	-	-	-	-	B 9000 0775

B-1125 fire rated door lock

as single-latch version



Functional description

Panic function D

Panic lock for single-leaf doors with panic function on the interior lever handle. Following actuation of the panic-function from the inside, the exterior lever handle is coupled again. Passage from outside to inside.

For a detailed functional description see page 488

Panic function E

Panic lock for single-leaf doors with panic function on the interior lever handle. The door can always be opened towards the outside. Mechanical access from outside using the key (via the latch lever).

For a detailed functional description see page 489

Product description

B-1125 fire rated door lock

- Approved to EN 179 (emergency exits), EN 1125 (panic doors)
- Non-handed
- Galvanised faceplate
- 9 mm clamping follower
- Steel latch and additional deadbolt
- Available with or without latch lever
- PC 72 mm hole distance

Classification code

EN 179

3	7	7	B	1	3	4	2	A	A/B/C/D
---	---	---	---	---	---	---	---	---	---------

EN 1125

3	7	7	B	1	3	2	1/2	A/B	B
---	---	---	---	---	---	---	-----	-----	---

Variants



PC
hole-type

Standards



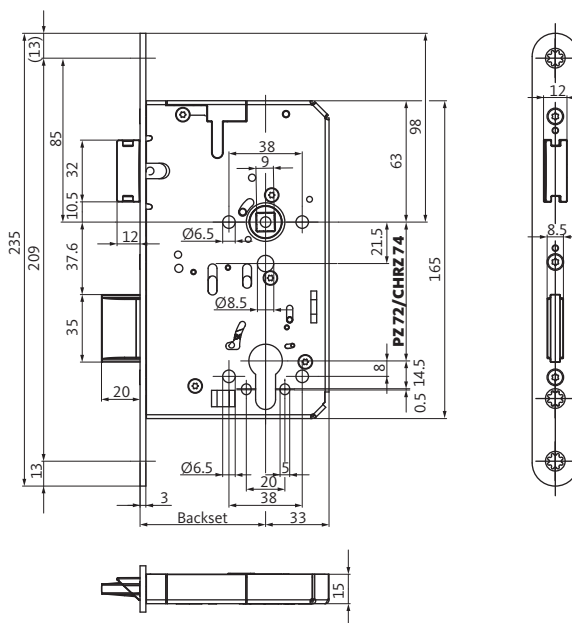
B-1125 fire rated door lock, without deadbolt			
Faceplate Finish	Backset mm	Faceplate Shape	Faceplate 24 x 3 x 235 mm Panic function E Non-handed
Galvanised steel	65	Round	B-11250-03-U-2

B-1125 fire rated door lock, without deadbolt			
Faceplate Finish	Backset mm	Faceplate Shape	Faceplate 24 x 3 x 235 mm Panic function D Non-handed
Galvanised steel	65	Round	B-11250-04-U-2

Additional options (available on request)					
Faceplate		Follower	Backset, mm	Special versions	Suitable striker
Material/Finish	Width				
-	-	-	-	-	B 9000 0775

B-2320 panic lock

for 1-leaf doors



Functional description

Panic function B

Panic lock for single-leaf doors with panic function on the interior lever handle. The door can always be opened towards the outside. The exterior lever handle can be engaged or disengaged mechanically using the key.

For a detailed functional description see page 486

Product description

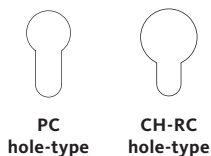
B-2320 panic lock

- Approved for fire rated doors to EN 12209, EN 179 (emergency exits), EN 1125 (panic doors)
- Reversible latch
- Switchable panic side outward/inward
- Deadbolt, 1-turn (20 mm)
- Satin stainless steel faceplate
- 9 mm split follower
- 72 mm (PC), 74 mm (CH-RC) hole distance
- Optionally with monitoring contacts

Classification code

EN 179										
3	7	7	B	1	3	4	2	A	B/D	
EN 1125										
3	7	7	B	1	3	2	1/2	A/B	B	
EN 12209										
3	S	3	1	0	C	6	B	C	2	0

Variants



Standards



B-2320 fire rated door lock for 1-leaf doors

Faceplate Finish	Backset mm	Faceplate Shape	Faceplate 20 x 3 x 235 mm		Faceplate 24 x 3 x 235 mm
			DIN LH	DIN RH	Non-handed
Satin stainless steel	55	Round	B-23200-00-L-8	B-23200-00-R-8	B-23200-40-L-8*
	60	Round	B-23200-02-L-8	B-23200-02-R-8	B-23200-42-L-8*
	65	Round	B-23200-04-L-8	B-23200-04-R-8	B-23200-44-L-8*
	80	Round	B-23200-06-L-8	B-23200-06-R-8	B-23200-46-L-8*
	100	Round	B-23200-08-L-8	B-23200-08-R-8	B-23200-48-L-8*

B-2320 panic lock with CH-RC hole-type for 1-leaf doors

Faceplate Finish	Backset mm	Faceplate Shape	Faceplate 20 x 3 x 235 mm CH-RC hole-type		Faceplate 24 x 3 x 235 mm CH-RC hole-type
			DIN LH	DIN RH	Non-handed
Satin stainless steel	55	Round	B-23200-20-L-8	B-23200-20-R-8	B-23200-60-L-8*
	60	Round	B-23200-22-L-8	B-23200-22-R-8	B-23200-62-L-8*
	65	Round	B-23200-24-L-8	B-23200-24-R-8	B-23200-64-L-8*
	80	Round	B-23200-26-L-8	B-23200-26-R-8	B-23200-66-L-8*
	100	Round	B-23200-28-L-8	B-23200-28-R-8	B-23200-68-L-8*

*Make 1 out of 8 – and 8 out of 1

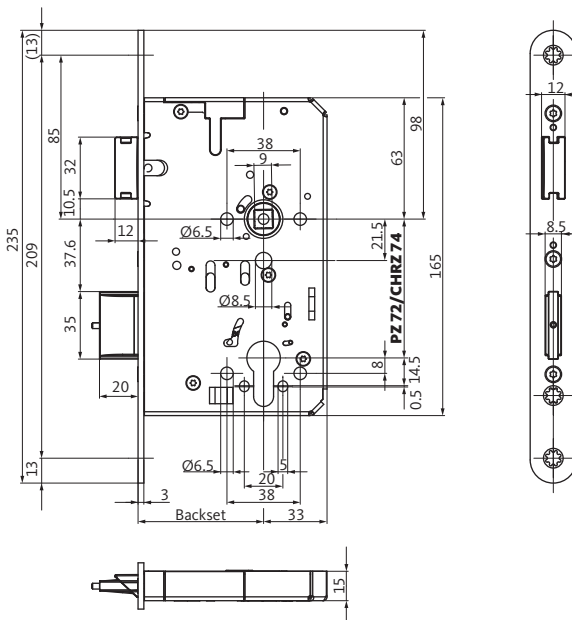
- Reversible latch (non-handed)
- Switchable panic side (outward/inward)
- Adaptable top-locking feature

Additional options (available on request)

Faceplate		Follower	Backset, mm	Special versions	Suitable strikers	
Material/Finish	Special faceplate				DIN LH	DIN RH
–	Exchangeable faceplate	–	–	Lock monitoring	B-90000-61-L-8	B-90000-61-R-8
					B-90000-05-0-8	

B-2321 panic lock

for 2-leaf doors



Functional description

Panic function B

Panic lock for double-leaf doors with panic function on the interior lever handle. The door can always be opened towards the outside. The exterior lever handle can be engaged or disengaged mechanically using the key.

For a detailed functional description see page 486

Product description

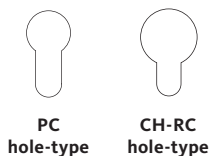
B-2321 panic lock

- Approved for fire rated doors to EN 12209, EN 179 (emergency exits), EN 1125 (panic doors)
- Reversible latch
- Switchable panic side outward/inward
- Deadbolt, 1-turn (20 mm)
- Satin stainless steel faceplate
- 9 mm split follower
- 72 mm (PC), 74 mm (CH-RC) hole distance
- Optional with monitoring contacts

Classification code

EN 179										
3	7	7	B	1	3	4	2	A	A	
EN 1125										
3	7	7	B	1	3	2	1/2	A/B	A	
EN 12209										
3	S	3	1	0	C	0	B	C	2	0

Variants



Standards



B-2321 panic lock for 2-leaf doors

Faceplate Finish	Backset mm	Faceplate Shape	Faceplate 20 x 3 x 235 mm		Faceplate 24 x 3 x 235 mm
			DIN LH	DIN RH	Non-handed
Satin stainless steel	55	Round	B-23210-00-L-8	B-23210-00-R-8	B-23210-40-L-8*
	60	Round	B-23210-02-L-8	B-23210-02-R-8	B-23210-42-L-8*
	65	Round	B-23210-04-L-8	B-23210-04-R-8	B-23210-44-L-8*
	80	Round	B-23210-06-L-8	B-23210-06-R-8	B-23210-46-L-8*
	100	Round	B-23210-08-L-8	B-23210-08-R-8	B-23210-48-L-8*

B-2321 panic lock with CH-RC hole-type for 2-leaf doors

Faceplate Finish	Backset mm	Faceplate Shape	Faceplate 20 x 3 x 235 mm CH-RC hole-type		Faceplate 24 x 3 x 235 mm
			DIN LH	DIN RH	CH-RC hole-type Non-handed
Satin stainless steel	55	Round	B-23210-20-L-8	B-23210-20-R-8	B-23210-60-L-8*
	60	Round	B-23210-22-L-8	B-23210-22-R-8	B-23210-62-L-8*
	65	Round	B-23210-24-L-8	B-23210-24-R-8	B-23210-64-L-8*
	80	Round	B-23210-26-L-8	B-23210-26-R-8	B-23210-66-L-8*
	100	Round	B-23210-28-L-8	B-23210-28-R-8	B-23210-68-L-8*

***Make 1 out of 8 – and 8 out of 1**

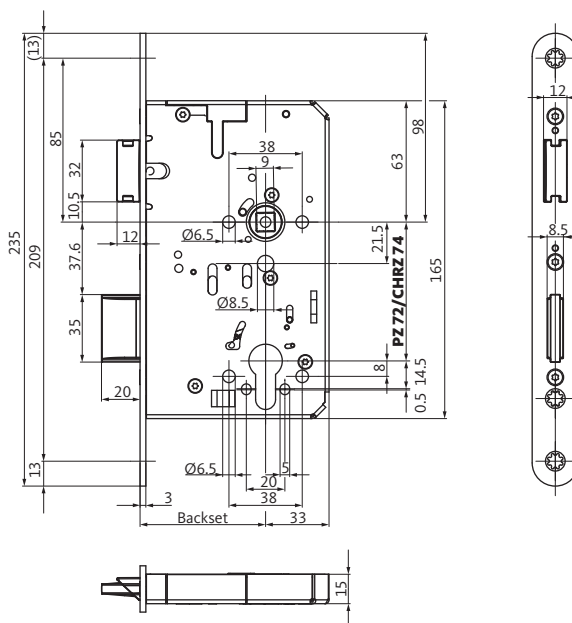
- Reversible latch (non-handed)
- Switchable panic side (outward/inward)
- Adaptable top-locking feature

Additional options (available on request)

Faceplate		Follower	Backset, mm	Special versions	Suitable shoot-bolt locks
Material/Finish	Special faceplate				
–	Exchangeable faceplate	–	–	Lock monitoring	B 2390 B 2392

B-2322 panic lock

for 1-leaf doors



Functional description

Panic function C

Panic lock for single-leaf doors with panic function on the interior lever handle. The door can always be opened towards the outside.

The exterior lever handle is always set to idle. The door can only be opened by operating the key and the lever handle. When the key is removed, the exterior lever handle reverts automatically to idle.

For a detailed functional description see page 487

Product description

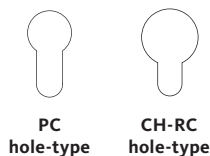
B-2322 panic lock

- Approved for fire rated doors to EN 12209, EN 179 (emergency exits), EN 1125 (panic doors)
- Reversible latch
- Switchable panic side outward/inward
- Deadbolt, 1-turn (20 mm)
- Satin stainless steel faceplate
- 9 mm split follower
- 72 mm (PC), 74 mm (CH-RC) hole distance
- Optional with monitoring contacts

Classification code

EN 179										
3	7	7	B	1	3	4	2	A	B/D	
EN 1125										
3	7	7	B	1	3	2	1/2	A/B	B	
EN 12209										
3	S	3	1	0	C	6	B	C	2	0

Variants



Standards



B-2322 panic lock for 1-leaf doors

Faceplate Finish	Backset mm	Faceplate Shape	Faceplate 20 x 3 x 235 mm		Faceplate 24 x 3 x 235 mm
			DIN LH	DIN RH	Non-handed
Satin stainless steel	55	Round	B-23220-00-L-8	B-23220-00-R-8	B-23220-40-L-8*
	60	Round	B-23220-02-L-8	B-23220-02-R-8	B-23220-42-L-8*
	65	Round	B-23220-04-L-8	B-23220-04-R-8	B-23220-44-L-8*
	80	Round	B-23220-06-L-8	B-23220-06-R-8	B-23220-46-L-8*
	100	Round	B-23220-08-L-8	B-23220-08-R-8	B-23220-48-L-8*

B-2322 panic lock with CH-RC hole-type for 1-leaf doors

Faceplate Finish	Backset mm	Faceplate Shape	Faceplate 20 x 3 x 235 mm CH-RC hole-type		Faceplate 24 x 3 x 235 mm CH-RC hole-type
			DIN LH	DIN RH	Non-handed (DIN LH/RH usable)
Satin stainless steel	55	Round	B-23220-20-L-8	B-23220-20-R-8	B-23220-60-L-8*
	60	Round	B-23220-22-L-8	B-23220-22-R-8	B-23220-62-L-8*
	65	Round	B-23220-24-L-8	B-23220-24-R-8	B-23220-64-L-8*
	80	Round	B-23220-26-L-8	B-23220-26-R-8	B-23220-66-L-8*
	100	Round	B-23220-28-L-8	B-23220-28-R-8	B-23220-68-L-8*

***Make 1 out of 8 – and 8 out of 1**

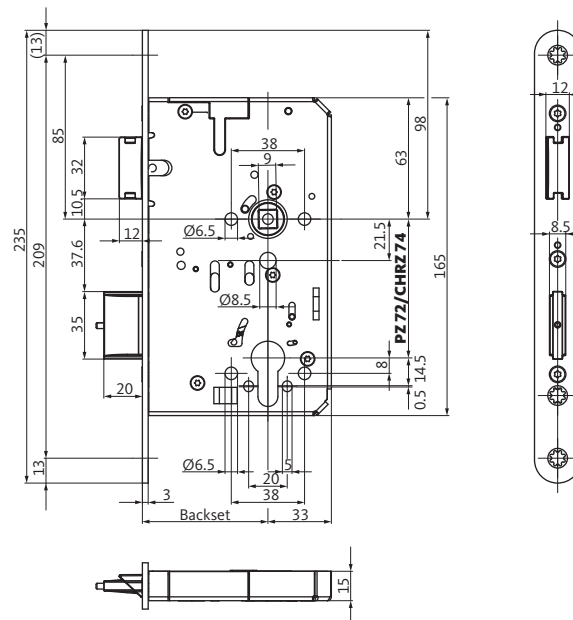
- Reversible latch (non-handed)
- Switchable panic side (outward/inward)
- Adaptable top-locking feature

Additional options (available on request)

Faceplate		Follower	Backset, mm	Special versions	Suitable strikers	
Material/Finish	Special faceplate				DIN LH	DIN RH
–	Exchangeable faceplate	–	–	Lock monitoring	B-90000-61-L-8	B-90000-61-R-8
					B-90000-05-0-8	

B-2323 panic lock

for 2-leaf doors



Functional description

Panic function C

Panic lock for double-leaf doors with panic function on the interior lever handle. The door can always be opened towards the outside. The exterior lever handle is always set to idle. The door can only be opened by operating the key and the lever handle. When the key is removed, the exterior lever handle reverts automatically to idle.

For a detailed functional description see page 487

Product description

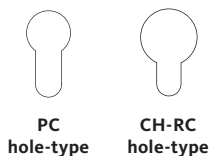
B-2323 panic lock

- Approved for fire rated doors to EN 12209, EN 179 (emergency exits), EN 1125 (panic doors)
- Reversible latch
- Switchable panic side outward/inward
- Deadbolt, 1-turn (20 mm)
- Satin stainless steel faceplate
- 9 mm split follower
- 72 mm (PC), 74 mm (CH-RC) hole distance
- Optional with monitoring contacts

Classification code

EN 179										
3	7	7	B	1	3	4	2	A	A	
EN 1125										
3	7	7	B	1	3	2	1/2	A/B	A	
EN 12209										
3	S	3	1	0	C	0	B	C	2	0

Variants



Standards



B-2323 panic lock for 2-leaf doors

Faceplate Finish	Backset mm	Faceplate Shape	Faceplate 20 x 3 x 235 mm		Faceplate 24 x 3 x 235 mm
			DIN LH	DIN RH	Non-handed
Satin stainless steel	55	Round	B-23230-00-L-8	B-23230-00-R-8	B-23230-40-L-8*
	60	Round	B-23230-02-L-8	B-23230-02-R-8	B-23230-42-L-8*
	65	Round	B-23230-04-L-8	B-23230-04-R-8	B-23230-44-L-8*
	80	Round	B-23230-06-L-8	B-23230-06-R-8	B-23230-46-L-8*
	100	Round	B-23230-08-L-8	B-23230-08-R-8	B-23230-48-L-8*

B-2323 panic lock with CH-RC hole-type for 2-leaf doors

Faceplate Finish	Backset mm	Faceplate Shape	Faceplate 20 x 3 x 235 mm CH-RC hole-type		Faceplate 24 x 3 x 235 mm CH-RC hole-type
			DIN LH	DIN RH	Non-handed (DIN LH/RH usable)
Satin stainless steel	55	Round	B-23230-20-L-8	B-23230-20-R-8	B-23230-60-L-8*
	60	Round	B-23230-22-L-8	B-23230-22-R-8	B-23230-62-L-8*
	65	Round	B-23230-24-L-8	B-23230-24-R-8	B-23230-64-L-8*
	80	Round	B-23230-26-L-8	B-23230-26-R-8	B-23230-66-L-8*
	100	Round	B-23230-28-L-8	B-23230-28-R-8	B-23230-68-L-8*

*Make 1 out of 8 – and 8 out of 1

- Reversible latch (non-handed)
- Switchable panic side (outward/inward)
- Adaptable top-locking feature

Additional options (available on request)

Faceplate		Follower	Backset, mm	Special versions	Suitable shoot-bolt locks
Material/Finish	Special faceplate				
–	Exchangeable faceplate	–	–	Lock monitoring	B 2390 B 2392

B-2324 fire rated door lock for 1-leaf doors

Faceplate Finish	Backset mm	Faceplate Shape	Faceplate 20 x 3 x 235 mm		Faceplate 24 x 3 x 235 mm
			DIN LH	DIN RH	Non-handed
Satin stainless steel	55	Round	B-23240-00-L-8	B-23240-00-R-8	B-23240-40-L-8*
	60	Round	B-23240-02-L-8	B-23240-02-R-8	B-23240-42-L-8*
	65	Round	B-23240-04-L-8	B-23240-04-R-8	B-23240-44-L-8*
	80	Round	B-23240-06-L-8	B-23240-06-R-8	B-23240-46-L-8*
	100	Round	B-23240-08-L-8	B-23240-08-R-8	B-23240-48-L-8*

B-2324 panic lock with CH-RC hole-type for 1-leaf doors

Faceplate Finish	Backset mm	Faceplate Shape	Faceplate 20 x 3 x 235 mm CH-RC hole-type		Faceplate 24 x 3 x 235 mm CH-RC hole-type
			DIN LH	DIN RH	Non-handed
Satin stainless steel	55	Round	B-23240-20-L-8	B-23240-20-R-8	B-23240-60-L-8*
	60	Round	B-23240-22-L-8	B-23240-22-R-8	B-23240-62-L-8*
	65	Round	B-23240-24-L-8	B-23240-24-R-8	B-23240-64-L-8*
	80	Round	B-23240-26-L-8	B-23240-26-R-8	B-23240-66-L-8*
	100	Round	B-23240-28-L-8	B-23240-28-R-8	B-23240-68-L-8*

*Make 1 out of 8 – and 8 out of 1

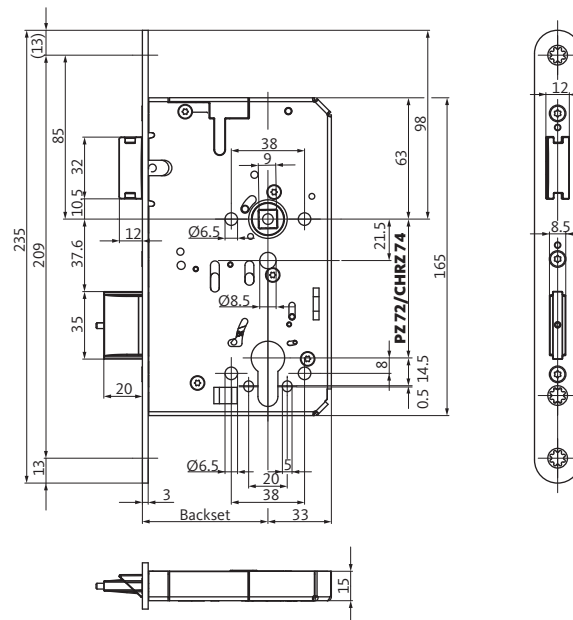
- Reversible latch (non-handed)
- Switchable panic side (outward/inward)
- Adaptable top-locking feature

Additional options (available on request)

Faceplate		Follower	Backset, mm	Special versions	Suitable strikers	
Material/Finish	Special faceplate				DIN LH	DIN RH
–	Exchangeable faceplate	–	–	Lock monitoring	B-90000-61-L-8	B-90000-61-R-8
					B-90000-05-0-8	

B-2325 panic lock

for 2-leaf doors



Functional description

Panic function D

Panic lock for double-leaf doors with panic function on the interior lever handle. Following actuation of the panic-function from the inside, the exterior lever handle is coupled again. Passage from outside to inside.

For a detailed functional description see page 488

Product description

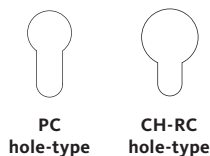
B-2325 panic lock

- Approved for fire rated doors to EN 12209, EN 179 (emergency exits), EN 1125 (panic doors)
- Reversible latch
- Switchable panic side outward/inward
- Deadbolt, 1-turn (20 mm)
- Satin stainless steel faceplate
- 9 mm split follower
- 72 mm (PC), 74 mm (CH-RC) hole distance
- Optional with monitoring contacts

Classification code

EN 179										
3	7	7	B	1	3	4	2	A	A	
EN 1125										
3	7	7	B	1	3	2	1/2	A/B	A	
EN 12209										
3	S	3	1	0	C	0	B	C	2	0

Variants



Standards



B-2325 panic lock for 2-leaf doors

Faceplate Finish	Backset mm	Faceplate Shape	Faceplate 20 x 3 x 235 mm		Faceplate 24 x 3 x 235 mm
			DIN LH	DIN RH	Non-handed
Satin stainless steel	55	Round	B-23250-00-L-8	B-23250-00-R-8	B-23250-40-L-8*
	60	Round	B-23250-02-L-8	B-23250-02-R-8	B-23250-42-L-8*
	65	Round	B-23250-04-L-8	B-23250-04-R-8	B-23250-44-L-8*
	80	Round	B-23250-06-L-8	B-23250-06-R-8	B-23250-46-L-8*
	100	Round	B-23250-08-L-8	B-23250-08-R-8	B-23250-48-L-8*

B-2325 panic lock with CH-RC hole-type for 2-leaf doors

Faceplate Finish	Backset mm	Faceplate Shape	Faceplate 20 x 3 x 235 mm CH-RC hole-type		Faceplate 24 x 3 x 235 mm
			DIN LH	DIN RH	CH-RC hole-type Non-handed
Satin stainless steel	55	Round	B-23250-20-L-8	B-23250-20-R-8	B-23250-60-L-8*
	60	Round	B-23250-22-L-8	B-23250-22-R-8	B-23250-62-L-8*
	65	Round	B-23250-24-L-8	B-23250-24-R-8	B-23250-64-L-8*
	80	Round	B-23250-26-L-8	B-23250-26-R-8	B-23250-66-L-8*
	100	Round	B-23250-28-L-8	B-23250-28-R-8	B-23250-68-L-8*

*Make 1 out of 8 – and 8 out of 1

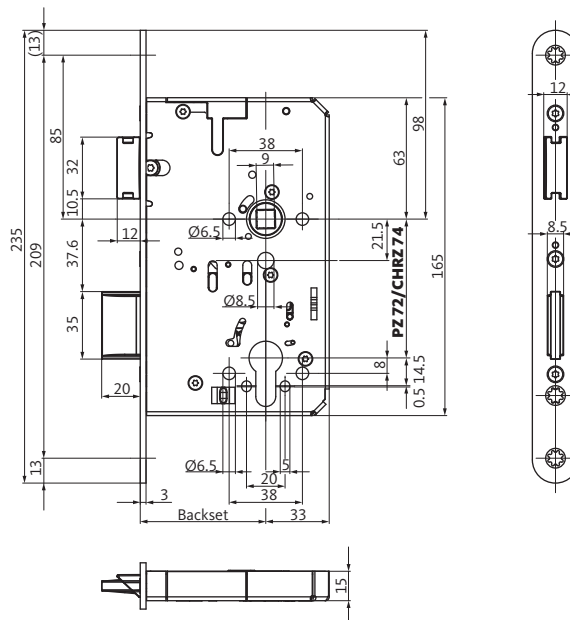
- Reversible latch (non-handed)
- Switchable panic side (outward/inward)
- Adaptable top-locking feature

Additional options (available on request)

Faceplate		Follower	Backset, mm	Special versions	Suitable shoot-bolt locks
Material/Finish	Special faceplate				
–	Exchangeable faceplate	–	–	Lock monitoring	B 2390 B 2392

B-2326 panic lock

for 1-leaf doors



Functional description

Panic function E

Panic lock for single-leaf doors with panic function on the interior lever handle. The door can always be opened towards the outside. Mechanical access from outside using the key (via the latch lever).

For a detailed functional description see page 489

Product description

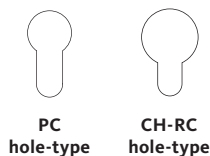
B-2326 panic lock

- Approved for fire rated doors to EN 12209, EN 179 (emergency exits), EN 1125 (panic doors)
- Reversible latch
- Deadbolt, 1-turn (20 mm)
- Satin stainless steel faceplate
- 9 mm follower
- With latch lever
- 72 mm (PC), 74 mm (CH-RC) hole distance
- Optional with monitoring contacts

Classification code

EN 179										
3	7	7	B	1	3	4	2	A	B/D	
EN 1125										
3	7	7	B	1	3	2	1/2	A/B	B	
EN 12209										
3	S	3	1	0	C	6	B	C	2	0

Variants



Standards



B-2326 panic lock for 1-leaf doors

Faceplate Finish	Backset mm	Faceplate Shape	Faceplate 20 x 3 x 235 mm		Faceplate 24 x 3 x 235 mm
			DIN LH	DIN RH	Non-handed
Satin stainless steel	55	Round	B-23260-00-L-8	B-23260-00-R-8	B-23260-25-L-8*
	60	Round	B-23260-01-L-8	B-23260-01-R-8	B-23260-26-L-8*
	65	Round	B-23260-02-L-8	B-23260-02-R-8	B-23260-27-L-8*
	80	Round	B-23260-03-L-8	B-23260-03-R-8	B-23260-28-L-8*
	100	Round	B-23260-04-L-8	B-23260-04-R-8	B-23260-29-L-8*

B-2326 panic lock with lock monitoring for 1-leaf doors

Faceplate Finish	Backset mm	Faceplate Shape	Faceplate 20 x 3 x 235 mm With lock monitoring		Faceplate 24 x 3 x 235 mm
			DIN LH	DIN RH	With lock monitoring Non-handed
Satin stainless steel	55	Round	B-23260-05-L-8	B-23260-05-R-8	B-23260-30-L-8*
	60	Round	B-23260-06-L-8	B-23260-06-R-8	B-23260-31-L-8*
	65	Round	B-23260-07-L-8	B-23260-07-R-8	B-23260-32-L-8*
	80	Round	B-23260-08-L-8	B-23260-08-R-8	B-23260-33-L-8*
	100	Round	B-23260-09-L-8	B-23260-09-R-8	B-23260-34-L-8*

B-2326 panic lock with key-controlled latch holdback for 1-leaf doors

Faceplate Finish	Backset mm	Faceplate Shape	Faceplate 20 x 3 x 235 mm Key-controlled latch holdback		Faceplate 24 x 3 x 235 mm
			DIN LH	DIN RH	Key-controlled latch holdback Non-handed
Satin stainless steel	55	Round	B-23260-20-L-8	B-23260-20-R-8	B-23260-45-L-8*
	60	Round	B-23260-21-L-8	B-23260-21-R-8	B-23260-46-L-8*
	65	Round	B-23260-22-L-8	B-23260-22-R-8	B-23260-47-L-8*
	80	Round	B-23260-23-L-8	B-23260-23-R-8	B-23260-48-L-8*
	100	Round	B-23260-24-L-8	B-23260-24-R-8	B-23260-49-L-8*

B-2326 panic lock with CH-RC hole-type for 1-leaf doors

Faceplate Finish	Backset mm	Faceplate Shape	Faceplate 20 x 3 x 235 mm CH-RC hole-type		Faceplate 24 x 3 x 235 mm
			DIN LH	DIN RH	CH-RC hole-type Non-handed
Satin stainless steel	55	Round	B-23260-10-L-8	B-23260-10-R-8	B-23260-35-L-8*
	60	Round	B-23260-11-L-8	B-23260-11-R-8	B-23260-36-L-8*
	65	Round	B-23260-12-L-8	B-23260-12-R-8	B-23260-37-L-8*
	80	Round	B-23260-13-L-8	B-23260-13-R-8	B-23260-38-L-8*
	100	Round	B-23260-14-L-8	B-23260-14-R-8	B-23260-39-L-8*

*Make 1 out of 4 – and 4 out of 1

- Reversible latch (non-handed)
- Adaptable top-locking feature

Additional options (available on request)

Faceplate		Follower	Backset, mm	Special versions	Suitable strikers	
Material/Finish	Special faceplate				DIN LH	DIN RH
–	Exchangeable faceplate	–	–	–	B-90000-61-L-8	B-90000-61-R-8
					B-90000-05-0-8	

B-2327 panic lock for 2-leaf doors

Faceplate Finish	Backset mm	Faceplate Shape	Faceplate 20 x 3 x 235 mm		Faceplate 24 x 3 x 235 mm
			DIN LH	DIN RH	Non-handed
Satin stainless steel	55	Round	B-23270-00-L-8	B-23270-00-R-8	B-23270-25-L-8*
	60	Round	B-23270-01-L-8	B-23270-01-R-8	B-23270-26-L-8*
	65	Round	B-23270-02-L-8	B-23270-02-R-8	B-23270-27-L-8*
	80	Round	B-23270-03-L-8	B-23270-03-R-8	B-23270-28-L-8*
	100	Round	B-23270-04-L-8	B-23270-04-R-8	B-23270-29-L-8*

B-2327 panic lock with lock monitoring for 2-leaf doors

Faceplate Finish	Backset mm	Faceplate Shape	Faceplate 20 x 3 x 235 mm With lock monitoring		Faceplate 24 x 3 x 235 mm
			DIN LH	DIN RH	With lock monitoring Non-handed
Satin stainless steel	55	Round	B-23270-05-L-8	B-23270-05-R-8	B-23270-30-L-8*
	60	Round	B-23270-06-L-8	B-23270-06-R-8	B-23270-31-L-8*
	65	Round	B-23270-07-L-8	B-23270-07-R-8	B-23270-32-L-8*
	80	Round	B-23270-08-L-8	B-23270-08-R-8	B-23270-33-L-8*
	100	Round	B-23270-09-L-8	B-23270-09-R-8	B-23270-34-L-8*

Panic lock B-2327 with key-controlled latch holdback for 2-leaf doors

Faceplate Finish	Backset mm	Faceplate Shape	Faceplate 20 x 3 x 235 mm Key-controlled latch holdback		Faceplate 24 x 3 x 235 mm
			DIN LH	DIN RH	Key-controlled latch holdback Non-handed
Satin stainless steel	55	Round	B-23270-20-L-8	B-23270-20-R-8	B-23270-45-L-8*
	60	Round	B-23270-21-L-8	B-23270-21-R-8	B-23270-46-L-8*
	65	Round	B-23270-22-L-8	B-23270-22-R-8	B-23270-47-L-8*
	80	Round	B-23270-23-L-8	B-23270-23-R-8	B-23270-48-L-8*
	100	Round	B-23270-24-L-8	B-23270-24-R-8	B-23270-49-L-8*

B-2327 panic lock with CH-RC hole-type for 2-leaf doors

Faceplate Finish	Backset mm	Faceplate Shape	Faceplate 20 x 3 x 235 mm CH-RC hole-type		Faceplate 24 x 3 x 235 mm
			DIN LH	DIN RH	CH-RC hole-type Non-handed
Satin stainless steel	55	Round	B-23270-10-L-8	B-23270-10-R-8	B-23270-35-L-8*
	60	Round	B-23270-11-L-8	B-23270-11-R-8	B-23270-36-L-8*
	65	Round	B-23270-12-L-8	B-23270-12-R-8	B-23270-37-L-8*
	80	Round	B-23270-13-L-8	B-23270-13-R-8	B-23270-38-L-8*
	100	Round	B-23270-14-L-8	B-23270-14-R-8	B-23270-39-L-8*

*Make 1 out of 4 – and 4 out of 1

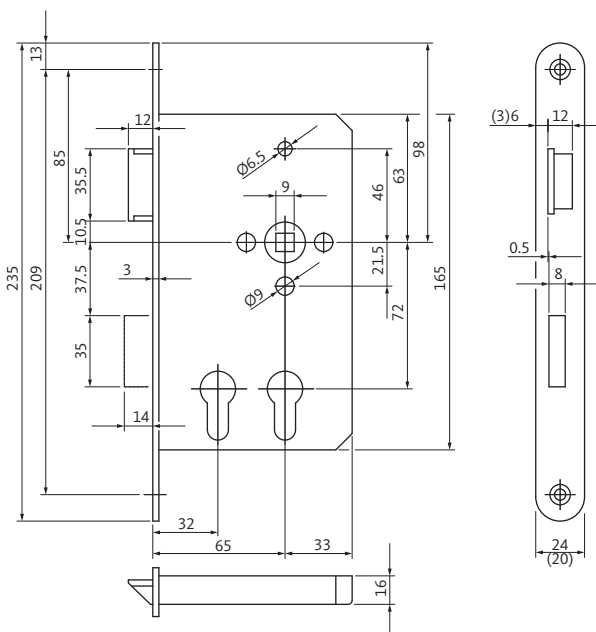
- Reversible latch (non-handed)
- Adaptable top-locking feature

Additional options (available on request)

Faceplate		Follower	Backset, mm	Special versions	Suitable shoot-bolt locks
Material/Finish	Special faceplate				
–	Exchangeable faceplate	–	–	–	B 2390 B 2392

B 2328 panic lock

with two profile cylinder holes



Functional description

Panic function E

Panic lock for single-leaf doors with panic function on the interior lever handle. The door can always be opened towards the outside. Mechanical access from outside using the key (via the latch lever). On both sides, latch and deadbolt are retracted using either of the two keys. The lock features two differently keyed locking cylinders and is used for doors which are integrated into two separate master key systems.

Example: 1 cylinder for the master key system of the municipal utilities, 1 cylinder for the master key system of the power supply company. The authorised persons of each company can use their keys independently at any time to gain access.

For a detailed functional description see page 489

Product description

B 2328 panic lock

- Prepared for two different locking cylinders
- Satin stainless steel faceplate
- 9 mm follower
- Steel latch and deadbolt
- With latch lever
- PC 72 mm hole distance

Standards



B 2328 panic lock

Faceplate Finish	Backset mm	Faceplate Shape	Faceplate 20 x 3 x 235 mm		Faceplate 24 x 3 x 235 mm	
			DIN LH	DIN RH	DIN LH	DIN RH
Satin stainless steel	32/65	Round	B 2328 0001	B 2328 0002	B 2328 0005	B 2328 0006

Additional options (available on request)

Faceplate		Follower	Backset, mm	Special versions	Suitable strikers	
Material/Finish	Special faceplate				DIN LH	DIN RH
-	-	-	-	Latch and follower monitoring	B-90000-61-L-8	B-90000-61-R-8
					B-90000-05-0-8	

**B-2330 panic lock for 1-leaf doors,
prepared for top-locking**

Faceplate Finish	Backset mm	Faceplate Shape	Faceplate 20 x 3 x 285 mm		Faceplate 24 x 3 x 285 mm
			DIN LH	DIN RH	Non-handed
Satin stainless steel	55	Round	B-23300-00-L-8	B-23300-00-R-8	B-23300-40-L-8*
	60	Round	B-23300-02-L-8	B-23300-02-R-8	B-23300-42-L-8*
	65	Round	B-23300-04-L-8	B-23300-04-R-8	B-23300-44-L-8*
	80	Round	B-23300-06-L-8	B-23300-06-R-8	B-23300-46-L-8*
	100	Round	B-23300-08-L-8	B-23300-08-R-8	B-23300-48-L-8*

**B-2330 panic lock with CH-RC hole-type for 1-leaf doors,
prepared for top-locking**

Faceplate Finish	Backset mm	Faceplate Shape	Faceplate 20 x 3 x 285 mm CH-RC hole-type		Faceplate 24 x 3 x 285 mm CH-RC hole-type
			DIN LH	DIN RH	Non-handed
Satin stainless steel	55	Round	B-23300-20-L-8	B-23300-20-R-8	B-23300-60-L-8*
	60	Round	B-23300-22-L-8	B-23300-22-R-8	B-23300-62-L-8*
	65	Round	B-23300-24-L-8	B-23300-24-R-8	B-23300-64-L-8*
	80	Round	B-23300-26-L-8	B-23300-26-R-8	B-23300-66-L-8*
	100	Round	B-23300-28-L-8	B-23300-28-R-8	B-23300-68-L-8*

***Make 1 out of 8 – and 8 out of 1**

- Reversible latch (non-handed)
- Switchable panic side (outward/inward)
- Adaptable top-locking feature

Additional options (available on request)

Faceplate		Follower	Backset, mm	Special versions	Suitable strikers	
Material/Finish	Special faceplate				DIN LH	DIN RH
–	Exchangeable faceplate	–	–	Lock monitoring	B-90000-61-L-8	B-90000-61-R-8
					B-90000-05-0-8	

**B-2331 panic lock for 2-leaf doors,
prepared for top-locking**

Faceplate Finish	Backset mm	Faceplate Shape	Faceplate 20 x 3 x 285 mm		Faceplate 24 x 3 x 285 mm
			DIN LH	DIN RH	Non-handed
Satin stainless steel	55	Round	B-23310-00-L-8	B-23310-00-R-8	B-23310-40-L-8*
	60	Round	B-23310-02-L-8	B-23310-02-R-8	B-23310-42-L-8*
	65	Round	B-23310-04-L-8	B-23310-04-R-8	B-23310-44-L-8*
	80	Round	B-23310-06-L-8	B-23310-06-R-8	B-23310-46-L-8*
	100	Round	B-23310-08-L-8	B-23310-08-R-8	B-23310-48-L-8*

**B-2331 panic lock with CH-RC hole-type for 2-leaf doors,
prepared for top-locking**

Faceplate Finish	Backset mm	Faceplate Shape	Faceplate 20 x 3 x 285 mm CH-RC hole-type		Faceplate 24 x 3 x 285 mm CH-RC hole-type
			DIN LH	DIN RH	Non-handed
Satin stainless steel	55	Round	B-23310-20-L-8	B-23310-20-R-8	B-23310-60-L-8*
	60	Round	B-23310-22-L-8	B-23310-22-R-8	B-23310-62-L-8*
	65	Round	B-23310-24-L-8	B-23310-24-R-8	B-23310-64-L-8*
	80	Round	B-23310-26-L-8	B-23310-26-R-8	B-23310-66-L-8*
	100	Round	B-23310-28-L-8	B-23310-28-R-8	B-23310-68-L-8*

***Make 1 out of 8 – and 8 out of 1**

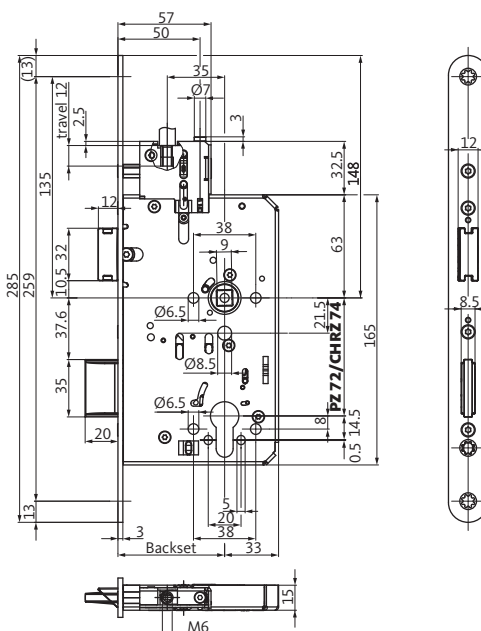
- Reversible latch (non-handed)
- Switchable panic side (outward/inward)
- Adaptable top-locking feature

Additional options (available on request)

Faceplate		Follower	Backset, mm	Special versions	Suitable shoot-bolt lock
Material/Finish	Special faceplate				
–	Exchangeable faceplate	–	–	Lock monitoring	B 2390

B-2332 panic lock

for 1-leaf doors with top-locking feature



Functional description

Panic function C

Panic lock for single-leaf doors with panic function on the interior lever handle. The door can always be opened towards the outside.

The exterior lever handle is always set to idle. The door can only be opened by operating the key and the lever handle. When the key is removed, the exterior lever handle reverts automatically to idle.

For a detailed functional description see page 487

Product description

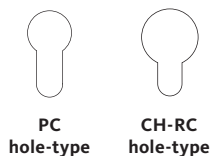
B-2332 panic lock with top-locking feature

- Approved for fire rated doors to EN 12209, EN 179 (emergency exits), EN 1125 (panic doors)
- Reversible latch
- Switchable panic side outward/inward
- Deadbolt, 1-turn (20 mm)
- Satin stainless steel faceplate
- 9 mm split follower
- 72 mm (PC), 74 mm (CH-RC) hole distance
- Optional with monitoring contacts

Classification code

EN 179										
3	7	7	B	1	3	4	2	A	B/D	
EN 1125										
3	7	7	B	1	3	2	1/2	A/B	B	
EN 12209										
3	S	3	1	0	C	6	B	C	2	0

Variants



Standards



**B-2332 panic lock for 1-leaf doors,
prepared for top-locking**

Faceplate Finish	Backset mm	Faceplate Shape	Faceplate 20 x 3 x 285 mm		Faceplate 24 x 3 x 285 mm
			DIN LH	DIN RH	Non-handed
Satin stainless steel	55	Round	B-23320-00-L-8	B-23320-00-R-8	B-23320-40-L-8*
	60	Round	B-23320-02-L-8	B-23320-02-R-8	B-23320-42-L-8*
	65	Round	B-23320-04-L-8	B-23320-04-R-8	B-23320-44-L-8*
	80	Round	B-23320-06-L-8	B-23320-06-R-8	B-23320-46-L-8*
	100	Round	B-23320-08-L-8	B-23320-08-R-8	B-23320-48-L-8*

**B-2332 panic lock with CH-RC hole-type for 1-leaf doors,
prepared for top-locking**

Faceplate Finish	Backset mm	Faceplate Shape	Faceplate 20 x 3 x 285 mm CH-RC hole-type		Faceplate 24 x 3 x 285 mm CH-RC hole-type
			DIN LH	DIN RH	Non-handed
Satin stainless steel	55	Round	B-23320-20-L-8	B-23320-20-R-8	B-23320-60-L-8*
	60	Round	B-23320-22-L-8	B-23320-22-R-8	B-23320-62-L-8*
	65	Round	B-23320-24-L-8	B-23320-24-R-8	B-23320-64-L-8*
	80	Round	B-23320-26-L-8	B-23320-26-R-8	B-23320-66-L-8*
	100	Round	B-23320-28-L-8	B-23320-28-R-8	B-23320-68-L-8*

***Make 1 out of 8 – and 8 out of 1**

- Reversible latch (non-handed)
- Switchable panic side (outward/inward)
- Adaptable top-locking feature

Additional options (available on request)

Faceplate		Follower	Backset, mm	Special versions	Suitable strikers	
Material/Finish	Special faceplate				DIN LH	DIN RH
–	Exchangeable faceplate	–	–	Lock monitoring	B-90000-61-L-8	B-90000-61-R-8
					B-90000-05-0-8	

**B-2333 panic lock for 2-leaf doors,
prepared for top-locking**

Faceplate Finish	Backset mm	Faceplate Shape	Faceplate 20 x 3 x 285 mm		Faceplate 24 x 3 x 285 mm
			DIN LH	DIN RH	Non-handed
Satin stainless steel	55	Round	B-23330-00-L-8	B-23330-00-R-8	B-23330-40-L-8*
	60	Round	B-23330-02-L-8	B-23330-02-R-8	B-23330-42-L-8*
	65	Round	B-23330-04-L-8	B-23330-04-R-8	B-23330-44-L-8*
	80	Round	B-23330-06-L-8	B-23330-06-R-8	B-23330-46-L-8*
	100	Round	B-23330-08-L-8	B-23330-08-R-8	B-23330-48-L-8*

**B-2333 panic lock with CH-RC hole-type for 2-leaf doors,
prepared for top-locking**

Faceplate Finish	Backset mm	Faceplate Shape	Faceplate 20 x 3 x 285 mm CH-RC hole-type		Faceplate 24 x 3 x 285 mm CH-RC hole-type
			DIN LH	DIN RH	Non-handed
Satin stainless steel	55	Round	B-23330-20-L-8	B-23330-20-R-8	B-23330-60-L-8*
	60	Round	B-23330-22-L-8	B-23330-22-R-8	B-23330-62-L-8*
	65	Round	B-23330-24-L-8	B-23330-24-R-8	B-23330-64-L-8*
	80	Round	B-23330-26-L-8	B-23330-26-R-8	B-23330-66-L-8*
	100	Round	B-23330-28-L-8	B-23330-28-R-8	B-23330-68-L-8*

***Make 1 out of 8 – and 8 out of 1**

- Reversible latch (non-handed)
- Switchable panic side (outward/inward)
- Adaptable top-locking feature

Additional options (available on request)

Faceplate		Follower	Backset, mm	Special versions	Suitable shoot-bolt lock
Material/Finish	Special faceplate				
–	Exchangeable faceplate	–	–	Lock monitoring	B 2390

**B-2334 panic lock for 1-leaf doors,
prepared for top-locking**

Faceplate Finish	Backset mm	Faceplate Shape	Faceplate 20 x 3 x 285 mm		Faceplate 24 x 3 x 285 mm
			DIN LH	DIN RH	Non-handed
Satin stainless steel	55	Round	B-23340-00-L-8	B-23340-00-R-8	B-23340-40-L-8*
	60	Round	B-23340-02-L-8	B-23340-02-R-8	B-23340-42-L-8*
	65	Round	B-23340-04-L-8	B-23340-04-R-8	B-23340-44-L-8*
	80	Round	B-23340-06-L-8	B-23340-06-R-8	B-23340-46-L-8*
	100	Round	B-23340-08-L-8	B-23340-08-R-8	B-23340-48-L-8*

**B-2334 panic lock with CH-RC hole-type for 1-leaf doors,
prepared for top-locking**

Faceplate Finish	Backset mm	Faceplate Shape	Faceplate 20 x 3 x 285 mm CH-RC hole-type		Faceplate 24 x 3 x 285 mm
			DIN LH	DIN RH	CH-RC hole-type Non-handed
Satin stainless steel	55	Round	B-23340-20-L-8	B-23340-20-R-8	B-23340-60-L-8*
	60	Round	B-23340-22-L-8	B-23340-22-R-8	B-23340-62-L-8*
	65	Round	B-23340-24-L-8	B-23340-24-R-8	B-23340-64-L-8*
	80	Round	B-23340-26-L-8	B-23340-26-R-8	B-23340-66-L-8*
	100	Round	B-23340-28-L-8	B-23340-28-R-8	B-23340-68-L-8*

***Make 1 out of 8 – and 8 out of 1**

- Reversible latch (non-handed)
- Switchable panic side (outward/inward)
- Adaptable top-locking feature

Additional options (available on request)

Faceplate		Follower	Backset, mm	Special versions	Suitable strikers	
Material/Finish	Special faceplate				DIN LH	DIN RH
–	Exchangeable faceplate	–	–	Lock monitoring	B-90000-61-L-8	B-90000-61-R-8
					B-90000-05-0-8	

**B-2335 panic lock for 2-leaf doors,
prepared for top-locking**

Faceplate Finish	Backset mm	Faceplate Shape	Faceplate 20 x 3 x 285 mm		Faceplate 24 x 3 x 285 mm
			DIN LH	DIN RH	Non-handed
Satin stainless steel	55	Round	B-23350-00-L-8	B-23350-00-R-8	B-23350-40-L-8*
	60	Round	B-23350-02-L-8	B-23350-02-R-8	B-23350-42-L-8*
	65	Round	B-23350-04-L-8	B-23350-04-R-8	B-23350-44-L-8*
	80	Round	B-23350-06-L-8	B-23350-06-R-8	B-23350-46-L-8*
	100	Round	B-23350-08-L-8	B-23350-08-R-8	B-23350-48-L-8*

**B-2335 panic lock with CH-RC hole-type for 2-leaf doors,
prepared for top-locking**

Faceplate Finish	Backset mm	Faceplate Shape	Faceplate 20 x 3 x 285 mm CH-RC hole-type		Faceplate 24 x 3 x 285 mm CH-RC hole-type
			DIN LH	DIN RH	Non-handed
Satin stainless steel	55	Round	B-23350-20-L-8	B-23350-20-R-8	B-23350-60-L-8*
	60	Round	B-23350-22-L-8	B-23350-22-R-8	B-23350-62-L-8*
	65	Round	B-23350-24-L-8	B-23350-24-R-8	B-23350-64-L-8*
	80	Round	B-23350-26-L-8	B-23350-26-R-8	B-23350-66-L-8*
	100	Round	B-23350-28-L-8	B-23350-28-R-8	B-23350-68-L-8*

***Make 1 out of 8 – and 8 out of 1**

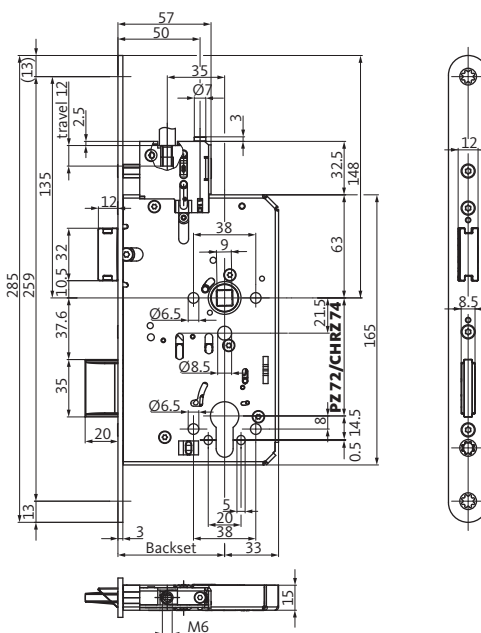
- Reversible latch (non-handed)
- Switchable panic side (outward/inward)
- Adaptable top-locking feature

Additional options (available on request)

Faceplate		Follower	Backset, mm	Special versions	Suitable shoot-bolt lock
Material/Finish	Special faceplate				
–	Exchangeable faceplate	–	–	Lock monitoring	B 2390

B-2336 panic lock

for 1-leaf doors with top-locking feature



Functional description

Panic function E

Panic lock for single-leaf doors with panic function on the interior lever handle. The door can always be opened towards the outside. Mechanical access from outside using the key (via the latch lever).

For a detailed functional description see page 489

Product description

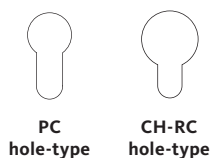
B-2336 panic lock with top-locking feature

- Approved for fire rated doors to EN 12209, EN 179 (emergency exits), EN 1125 (panic doors)
- Reversible latch
- Deadbolt, 1-turn (20 mm)
- Satin stainless steel faceplate
- 9 mm follower
- With latch lever
- 72 mm (PC), 74 mm (CH-RC) hole distance
- Optional with monitoring contacts

Classification code

EN 179										
3	7	7	B	1	3	4	2	A	B/D	
EN 1125										
3	7	7	B	1	3	2	1/2	A/B	B	
EN 12209										
3	S	3	1	0	C	6	B	C	2	0

Variants



Standards



B-2336 panic lock for 1-leaf doors, prepared for top-locking

Faceplate Finish	Backset mm	Faceplate Shape	Faceplate 20 x 3 x 285 mm		Faceplate 24 x 3 x 285 mm
			DIN LH	DIN RH	Non-handed
Satin stainless steel	55	Round	B-23360-00-L-8	B-23360-00-R-8	B-23360-25-L-8*
	60	Round	B-23360-01-L-8	B-23360-01-R-8	B-23360-26-L-8*
	65	Round	B-23360-02-L-8	B-23360-02-R-8	B-23360-27-L-8*
	80	Round	B-23360-03-L-8	B-23360-03-R-8	B-23360-28-L-8*
	100	Round	B-23360-04-L-8	B-23360-04-R-8	B-23360-29-L-8*

B-2336 panic lock with CH-RC hole-type for 1-leaf doors, prepared for top-locking

Faceplate Finish	Backset mm	Faceplate Shape	Faceplate 20 x 3 x 285 mm CH-RC hole-type		Faceplate 24 x 3 x 285 mm CH-RC hole-type
			DIN LH	DIN RH	Non-handed
Satin stainless steel	55	Round	B-23360-10-L-8	B-23360-10-R-8	B-23360-35-L-8*
	60	Round	B-23360-11-L-8	B-23360-11-R-8	B-23360-36-L-8*
	65	Round	B-23360-12-L-8	B-23360-12-R-8	B-23360-37-L-8*
	80	Round	B-23360-13-L-8	B-23360-13-R-8	B-23360-38-L-8*
	100	Round	B-23360-14-L-8	B-23360-14-R-8	B-23360-39-L-8*

***Make 1 out of 4 – and 4 out of 1**

- Reversible latch (non-handed)
- Adaptable top-locking feature

Additional options (available on request)

Faceplate		Follower	Backset, mm	Special versions	Suitable strikers	
Material/Finish	Special faceplate				DIN LH	DIN RH
–	Exchangeable faceplate	–	–	Lock monitoring	B-90000-61-L-8	B-90000-61-R-8
					B-90000-05-0-8	

**B-2337 panic lock for 2-leaf doors,
prepared for top-locking**

Faceplate Finish	Backset mm	Faceplate Shape	Faceplate 20 x 3 x 285 mm		Faceplate 24 x 3 x 285 mm
			DIN LH	DIN RH	Non-handed
Satin stainless steel	55	Round	B-23370-00-L-8	B-23370-00-R-8	B-23370-35-L-8*
	60	Round	B-23370-01-L-8	B-23370-01-R-8	B-23370-36-L-8*
	65	Round	B-23370-02-L-8	B-23370-02-R-8	B-23370-37-L-8*
	80	Round	B-23370-03-L-8	B-23370-03-R-8	B-23370-38-L-8*
	100	Round	B-23370-04-L-8	B-23370-04-R-8	B-23370-39-L-8*

**B-2337 panic lock with CH-RC hole-type for 2-leaf doors,
prepared for top-locking**

Faceplate Finish	Backset mm	Faceplate Shape	Faceplate 20 x 3 x 285 mm CH-RC hole-type		Faceplate 24 x 3 x 285 mm CH-RC hole-type
			DIN LH	DIN RH	Non-handed
Satin stainless steel	55	Round	B-23370-10-L-8	B-23370-10-R-8	B-23370-45-L-8*
	60	Round	B-23370-11-L-8	B-23370-11-R-8	B-23370-46-L-8*
	65	Round	B-23370-12-L-8	B-23370-12-R-8	B-23370-47-L-8*
	80	Round	B-23370-13-L-8	B-23370-13-R-8	B-23370-48-L-8*
	100	Round	B-23370-14-L-8	B-23370-14-R-8	B-23370-49-L-8*

***Make 1 out of 4 – and 4 out of 1**

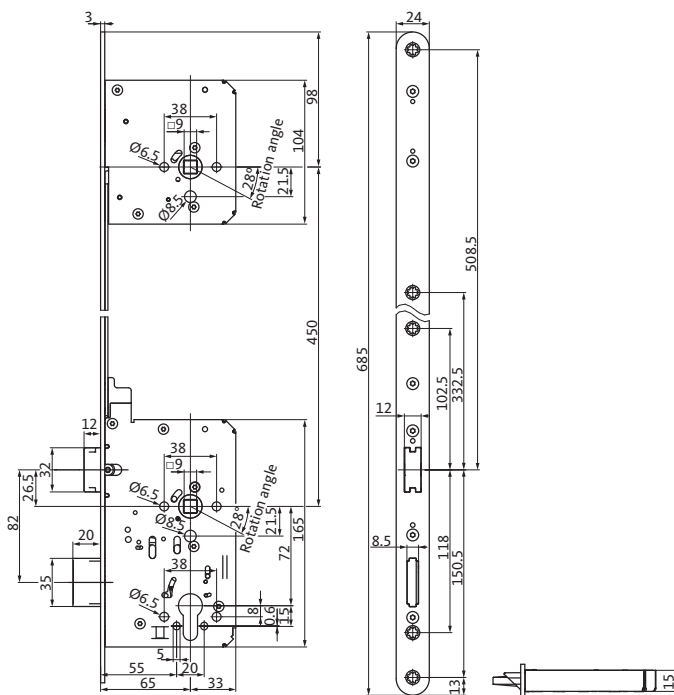
- Reversible latch (non-handed)
- Adaptable top-locking feature

Additional options (available on request)

Faceplate		Follower	Backset, mm	Special versions	Suitable shoot-bolt lock
Material/Finish	Special faceplate				
–	Exchangeable faceplate	–	–	Lock monitoring	B 2390

B-2340 panic lock

for 1-leaf doors



Functional description

Panic function B

Panic lock for single-leaf doors with panic function on the higher-mounted interior lever handle (1500 mm). The door can always be opened towards the outside. The exterior lever handle can be engaged or disengaged mechanically using the key.

For a detailed functional description see page 486

Product description

B-2340 panic lock

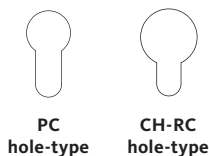
with panic function on the higher-mounted interior lever handle

- Approved for fire rated doors to EN 12209, EN 179 (emergency exits)
- Reversible latch
- Deadbolt, 1-turn (20 mm)
- Satin stainless steel faceplate
- 9 mm follower
- PC 72 mm hole distance
- Optional with monitoring contacts

Classification code

EN 179										
3	7	7	B	1	3	4	2	A	B/D	
EN 12209										
3	S	3	1	0	C	6	B	C	2	0

Variants



Standards



B-2340 panic lock for 1-leaf doors

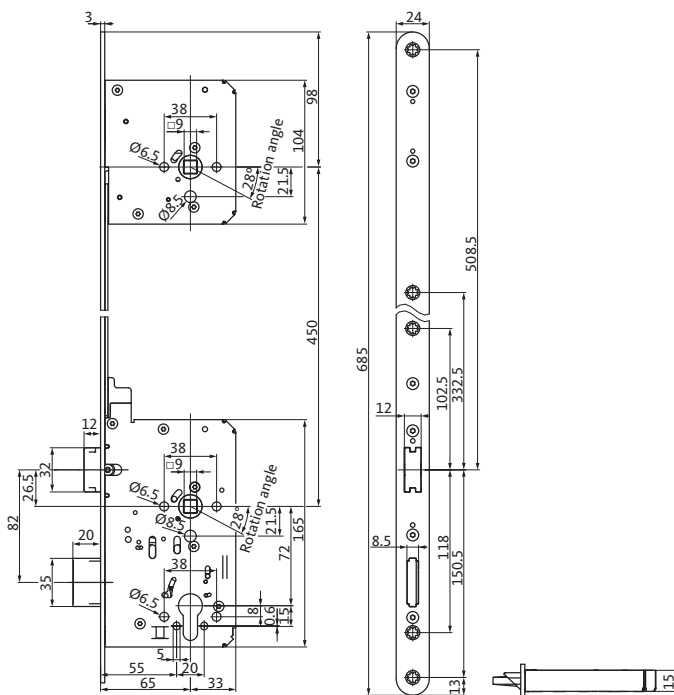
Faceplate Finish	Backset mm	Faceplate Shape	Faceplate 20 x 3 x 685 mm		Faceplate 24 x 3 x 685 mm
			DIN LH	DIN RH	Non-handed
Satin stainless steel	65	Round	B-23400-00-L-8	B-23400-00-R-8	B-23400-02-L-8
	80	Round	B-23400-04-L-8	B-23400-04-R-8	B-23400-06-L-8

B-2340 panic lock for 1-leaf doors with monitoring contacts

Faceplate Finish	Backset mm	Faceplate Shape	Faceplate 20 x 3 x 685 mm		Faceplate 24 x 3 x 685 mm
			DIN LH	DIN RH	Non-handed
Satin stainless steel	65	Round	B-23400-12-L-8	B-23400-12-R-8	B-23400-14-L-8
	80	Round	B-23400-17-L-8	B-23400-17-R-8	B-23400-19-L-8

B-2341 panic lock

for 2-leaf doors



Functional description

Panic function B

Panic lock for double-leaf doors with panic function on the higher-mounted interior lever handle (1500 mm). The door can always be opened towards the outside. The exterior lever handle can be engaged or disengaged mechanically using the key.

For a detailed functional description see page 486

Product description

B-2341 panic lock

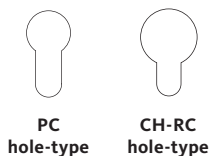
with panic function on the higher-mounted interior lever handle

- Approved for fire rated doors to EN 12209, EN 179 (emergency exits)
- Reversible latch
- Deadbolt, 1-turn (20 mm)
- Satin stainless steel faceplate
- 9 mm follower
- PC 72 mm hole distance
- Optional with monitoring contacts

Classification code

EN 179										
3	7	7	B	1	3	4	2	A	A	
EN 12209										
3	S	3	1	0	C	0	B	C	2	0

Variants



Standards



B-2341 panic lock for 2-leaf doors

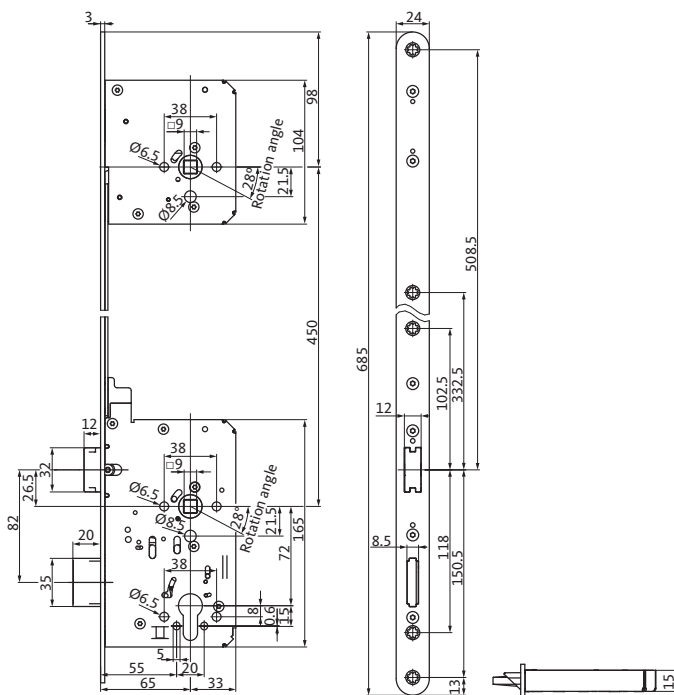
Faceplate Finish	Backset mm	Faceplate Shape	Faceplate 20 x 3 x 685 mm		Faceplate 24 x 3 x 685 mm
			DIN LH	DIN RH	Non-handed
Satin stainless steel	65	Round	B-23410-00-L-8	B-23410-00-R-8	B-23410-02-L-8

B-2344 panic lock for 1-leaf doors

Faceplate Finish	Backset mm	Faceplate Shape	Faceplate 20 x 3 x 685 mm		Faceplate 24 x 3 x 685 mm
			DIN LH	DIN RH	Non-handed
Satin stainless steel	65	Round	B-23440-00-L-8	B-23440-00-R-8	B-23440-02-L-8
	80	Round	B-23440-04-L-8	B-23440-04-R-8	B-23440-06-L-8

B-2346 panic lock

for 1-leaf doors



Functional description

Panic function E

Panic lock for single-leaf doors with panic function on the higher-mounted interior lever handle (1500 mm). The door can always be opened towards the outside. Mechanical access from outside using the key (via the latch lever).

For a detailed functional description see page 489

Product description

B-2346 fire rated door lock

with panic function on the higher-mounted interior lever handle

- Approved for fire rated doors to EN 12209, EN 179 (emergency exits)
- Reversible latch
- Deadbolt, 1-turn (20 mm)
- Satin stainless steel faceplate
- 9 mm follower
- With latch lever
- PC 72 mm hole distance
- Optional with monitoring contacts

Classification code

EN 179										
3	7	7	B	1	3	4	2	A	B/D	
EN 12209										
3	S	3	1	0	C	6	B	C	2	0



PC hole-type



CH-RC hole-type

Standards



B-2346 fire rated door lock for 1-leaf doors

Faceplate Finish	Backset mm	Faceplate Shape	Faceplate 20 x 3 x 685 mm		Faceplate 24 x 3 x 685 mm
			DIN LH	DIN RH	Non-handed
Satin stainless steel	65	Round	B-23460-00-L-8	B-23460-00-R-8	B-23460-02-L-8
	80	Round	B-23460-04-L-8	B-23460-04-R-8	B-23460-06-L-8

B-2346 panic lock for 1-leaf doors with monitoring contacts

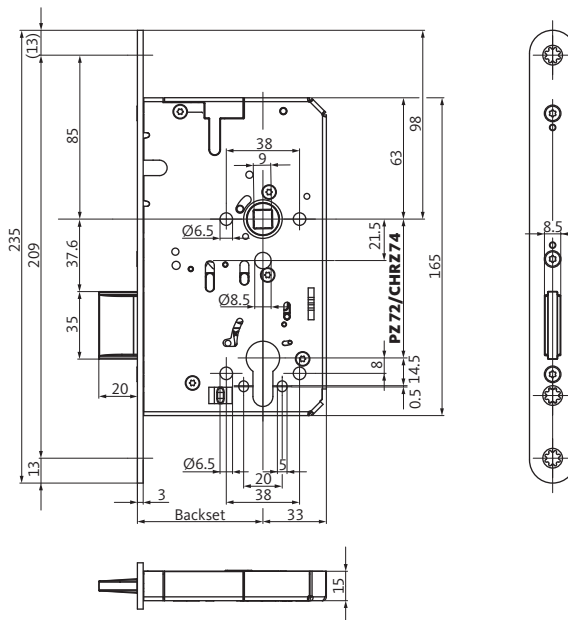
Faceplate Finish	Backset mm	Faceplate Shape	Faceplate 20 x 3 x 685 mm		Faceplate 24 x 3 x 685 mm
			DIN LH	DIN RH	Non-handed
Satin stainless steel	65	Round	B-23460-24-L-8	B-23460-24-R-8	B-23460-26-L-8
	80	Round	B-23460-28-L-8	B-23460-28-R-8	B-23460-30-L-8

B-2346 for 1-leaf doors with key-controlled latch holdback

Faceplate Finish	Backset mm	Faceplate Shape	Faceplate 20 x 3 x 685 mm		Faceplate 24 x 3 x 685 mm
			DIN LH	DIN RH	Non-handed
Satin stainless steel	65	Round	B-23460-12-L-8	B-23460-12-R-8	B-23460-14-L-8
	80	Round	B-23460-16-L-8	B-23460-16-R-8	B-23460-18-L-8

B-2348 panic lock

for 1-leaf doors



Functional description

Panic function P

The panic deadbolt lock for single-leaf doors with panic function on the interior lever handle. Opening the door is possible at any time. Mechanical access from outside using the key which retracts the deadbolt. For a detailed functional description see page 490

Product description

B-2348 panic lock

- Approved to EN 179 (emergency exits)
- Deadbolt, 1-turn (20 mm)
- Satin stainless steel faceplate
- 9 mm follower
- 72 mm (PC), 74 mm (CH-RC) hole distance
- Optional with monitoring contacts

Classification code

EN 179

3	7	7	0	1	3	4	1/2	A/B	B/D
---	---	---	---	---	---	---	-----	-----	-----

Variants



PC hole-type



CH-RC hole-type

Standards



B-2348 fire rated door lock for 1-leaf doors

Faceplate Finish	Backset mm	Faceplate Shape	Faceplate 20 x 3 x 235 mm		Faceplate 24 x 3 x 235 mm
			DIN LH	DIN RH	Non-handed
Satin stainless steel	55	Round	B-23480-00-L-8	B-23480-00-R-8	B-23480-20-0-8
	60	Round	B-23480-01-L-8	B-23480-01-R-8	B-23480-21-0-8
	65	Round	B-23480-02-L-8	B-23480-02-R-8	B-23480-22-0-8
	80	Round	B-23480-03-L-8	B-23480-03-R-8	B-23480-23-0-8
	100	Round	B-23480-04-L-8	B-23480-04-R-8	B-23480-24-0-8

B-2348 panic lock with CH-RC hole-type for 1-leaf doors

Faceplate Finish	Backset mm	Faceplate Shape	Faceplate 20 x 3 x 235 mm CH-RC hole-type		Faceplate 24 x 3 x 235 mm CH-RC hole-type
			DIN LH	DIN RH	Non-handed
Satin stainless steel	55	Round	B-23480-10-L-8	B-23480-10-R-8	B-23480-30-0-8
	60	Round	B-23480-11-L-8	B-23480-11-R-8	B-23480-31-0-8
	65	Round	B-23480-12-L-8	B-23480-12-R-8	B-23480-32-0-8
	80	Round	B-23480-13-L-8	B-23480-13-R-8	B-23480-33-0-8
	100	Round	B-23480-14-L-8	B-23480-14-R-8	B-23480-34-0-8

Additional options (available on request)

Faceplate		Follower	Backset, mm	Special versions	Suitable striker
Material/Finish	Special faceplate				
-	Exchangeable faceplate	-	-	Lock monitoring	B-90000-03-0-8

B-2349 panic lock for 2-leaf doors

Faceplate Finish	Backset mm	Faceplate Shape	Faceplate 20 x 3 x 235 mm		Faceplate 24 x 3 x 235 mm
			DIN LH	DIN RH	Non-handed
Satin stainless steel	55	Round	B-23490-00-L-8	B-23490-00-R-8	B-23490-20-0-8
	60	Round	B-23490-01-L-8	B-23490-01-R-8	B-23490-21-0-8
	65	Round	B-23490-02-L-8	B-23490-02-R-8	B-23490-22-0-8
	80	Round	B-23490-03-L-8	B-23490-03-R-8	B-23490-23-0-8
	100	Round	B-23490-04-L-8	B-23490-04-R-8	B-23490-24-0-8

B-2349 panic lock with CH-RC hole-type for 2-leaf doors

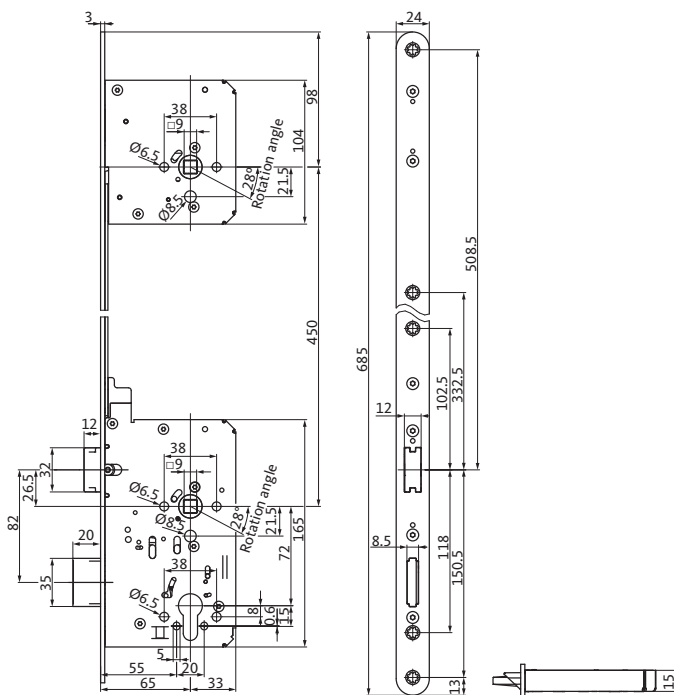
Faceplate Finish	Backset mm	Faceplate Shape	Faceplate 20 x 3 x 235 mm CH-RC hole-type		Faceplate 24 x 3 x 235 mm CH-RC hole-type
			DIN LH	DIN RH	Non-handed
Satin stainless steel	55	Round	B-23490-10-L-8	B-23490-10-R-8	B-23490-30-0-8
	60	Round	B-23490-11-L-8	B-23490-11-R-8	B-23490-31-0-8
	65	Round	B-23490-12-L-8	B-23490-12-R-8	B-23490-32-0-8
	80	Round	B-23490-13-L-8	B-23490-13-R-8	B-23490-33-0-8
	100	Round	B-23490-14-L-8	B-23490-14-R-8	B-23490-34-0-8

Additional options (available on request)

Faceplate		Follower	Backset, mm	Special versions	Suitable shoot-bolt lock
Material/Finish	Special faceplate				
-	Exchangeable faceplate	-	-	Lock monitoring	C 2391

B-2368 panic lock

for 1-leaf doors



Functional description

Standard function

The lock for single-leaf doors with higher-mounted lever handle function on the interior lever handle (1500 mm) allows passage from both sides. Use the key to move the deadbolt to the locked position.

Product description

B-2368 panic lock

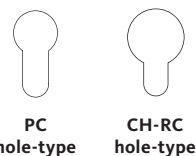
with panic function on the higher-mounted interior lever handle

- Approved for fire rated doors to EN 12209
- Reversible latch
- Deadbolt, 1-turn (20 mm)
- Satin stainless steel faceplate
- 9 mm follower
- With latch lever
- PC 72 mm hole distance
- Optional with monitoring contacts

Classification code

EN 12209										
3	S	3	1	0	C	0	B	C	2	0

Variants



Standards



B-2368 panic lock for 1-leaf doors

Faceplate Finish	Backset mm	Faceplate Shape	Faceplate 24 x 3 x 685 mm
			Non-handed
Satin stainless steel	55	Round	B-23680-00-L-8
	60	Round	B-23680-01-L-8
	65	Round	B-23680-02-L-9
	80	Round	B-23680-03-L-9

B 2390 shoot-bolt lock

Faceplate Finish	Backset mm	Faceplate Shape	Faceplate 20 x 3 x 235 mm		Faceplate 24 x 3 x 235 mm		Lipped faceplate dim. B = 36 mm	
			DIN LH	DIN RH	DIN LH	DIN RH	DIN LH	DIN RH
Satin stainless steel	65	Round	B 2390 0278	B 2390 0277	B 2390 0202	B 2390 0201	B 2390 0242	B 2390 0241
	80	Round	B 2390 0310	B 2390 0309	B 2390 0222	B 2390 0221	B 2390 0268	B 2390 0267
	100	Round	B 2390 0312	B 2390 0311	B 2390 0226	B 2390 0225	B 2390 0316	B 2390 0315

B 2390 shoot-bolt lock, prepared for use with B 2598 remote lock

Faceplate Finish	Backset mm	Faceplate Shape	Faceplate 20 x 3 x 235 mm		Faceplate 24 x 3 x 235 mm		Lipped faceplate dim. B = 36 mm	
			DIN LH	DIN RH	DIN LH	DIN RH	DIN LH	DIN RH
Satin stainless steel	65	Round	B 2390 2278	B 2390 2277	B 2390 2202	B 2390 2201	B 2390 2242	B 2390 2241
	80	Round	B 2390 2310	B 2390 2309	B 2390 2222	B 2390 2221	B 2390 2268	B 2390 2267
	100	Round	B 2390 2312	B 2390 2311	B 2390 2226	B 2390 2225	B 2390 2316	B 2390 2315

B 2396 shoot-bolt lock for manual locking

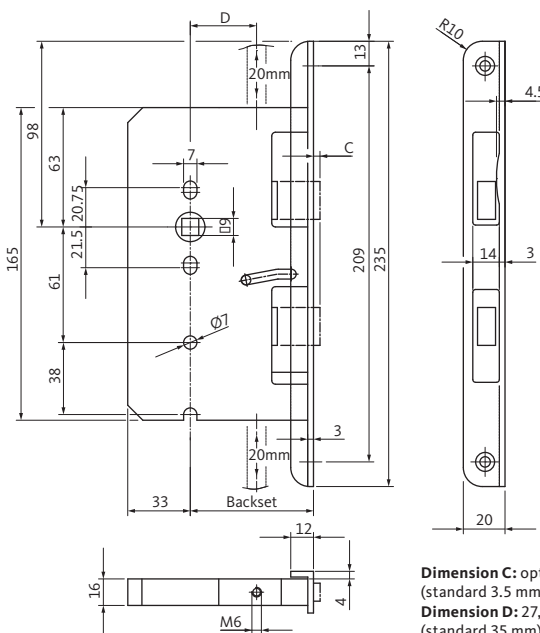
Faceplate Finish	Backset mm	Faceplate Shape	Faceplate 20 x 3 x 235 mm		Faceplate 24 x 3 x 235 mm		Lipped faceplate dim. B = 36 mm	
			DIN LH	DIN RH	DIN LH	DIN RH	DIN LH	DIN RH
Satin stainless steel	65	Round	B 2396 0204	B 2396 0203	B 2396 0230	B 2396 0229	B 2396 0246	B 2396 0245
	80	Round	B 2396 0206	B 2396 0205	B 2396 0234	B 2396 0233	B 2396 0268	B 2396 0267
	100	Round	B 2396 0208	B 2396 0207	B 2396 0238	B 2396 0237	B 2396 0202	B 2396 0201

Additional options (available on request)

Faceplate		Follower	Backset, mm	Special versions	Suitable locks	
Material/Finish	Special faceplate				B-2321 B-2323 B-2325 B-2327	B-2331 B-2333 B-2335 B-2337
-	Adapter faceplate	-	-	Deadbolt monitoring contact		

B 2390/B 2396 shoot-bolt lock

for automatic and manual locking



Dimension C: optional 3.5–20 mm (standard 3.5 mm)
Dimension D: 27, 35, 43, 45 mm (standard 35 mm)

Functional description

When the passive leaf is closed, automatic locking of the spring-loaded vertical rods at the top and bottom is triggered by passive-leaf control lock B 1895 (with manual locking, the vertical rods must be extended manually by the vertical lever). When unlocking, the vertical rods are retracted into the passive leaf by operating the vertical lever or panic push bar which simultaneously pushes the deadbolt and latch back into the lock of the active leaf.

Product description

B 2390 shoot-bolt lock
 with automatic locking, B 2396 with manual locking

- Approved to EN 179 (emergency exits), EN 1125 (panic doors)
- Satin stainless steel faceplate
- 9 mm follower

Classification code

EN 179

3	7	7	B	1	3	4	2	A	C
---	---	---	---	---	---	---	---	---	---

EN 1125

3	7	7	B	1	3	2	1/2	A/B	C
---	---	---	---	---	---	---	-----	-----	---

Standards



[1] only for automatic locking (B 2390)

B 2390 shoot-bolt lock

Faceplate Finish	Backset mm	Faceplate Shape	Angled faceplate 20 x 12 x 235 mm	
			DIN LH	DIN RH
Satin stainless steel	65	Round	B 2390 0294	B 2390 0293
	80	Round	B 2390 0296	B 2390 0295
	100	Round	B 2390 0314	B 2390 0313

B 2390 shoot-bolt lock, prepared for use with B 2598 remote lock

Faceplate Finish	Backset mm	Faceplate Shape	Angled faceplate 20 x 12 x 235 mm	
			DIN LH	DIN RH
Satin stainless steel	65	Round	B 2390 2294	B 2390 2293
	80	Round	B 2390 2296	B 2390 2295
	100	Round	B 2390 2314	B 2390 2313

B 2396 shoot-bolt lock for manual locking

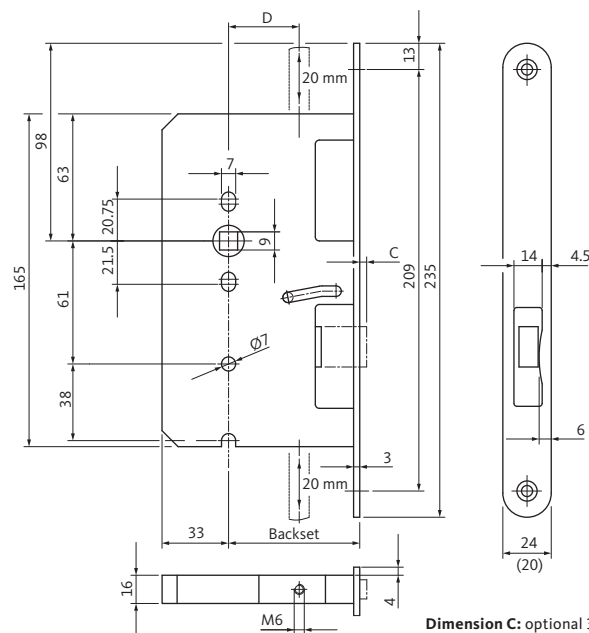
Faceplate Finish	Backset mm	Faceplate Shape	Angled faceplate 20 x 12 x 235 mm	
			DIN LH	DIN RH
Satin stainless steel	65	Round	B 2396 0300	B 2396 0299
	80	Round	B 2396 0302	B 2396 0301
	100	Round	B 2396 0298	B 2396 0297

Additional options (available on request)

Faceplate		Follower	Backset mm	Special versions	Suitable locks	
Material/Finish	Special faceplate				B-2321 B-2323 B-2325 B-2327	B-2331 B-2333 B-2335 B-2337
-	Adapter faceplate	-	-	Deadbolt monitoring contact		

B 2391 shoot-bolt lock

for automatic and manual locking



Dimension C: optional 3.5–20 mm (standard 3.5 mm)
Dimension D: 27, 35, 43, 45 mm (standard 35 mm)

Functional description

When the passive leaf is closed, automatic locking of the spring-loaded vertical rods at the top and bottom is triggered by passive-leaf control lock B 1895 (with manual locking, the vertical rods must be extended manually by the vertical lever). When unlocking, the vertical rods are retracted manually into the passive leaf by operating the vertical lever which pushes the deadbolt into the lock of the active leaf.

Product description

B 2391 shoot-bolt lock
 with automatic or manual locking

- Approved to EN 179 (emergency exits)
- Satin stainless steel faceplate
- 9 mm follower

Classification code

EN 179

3	7	7	0	1	3	4	2	A	C
---	---	---	---	---	---	---	---	---	---

Standards



B 2391 shoot-bolt lock

Faceplate Finish	Backset mm	Faceplate Shape	Faceplate 20 x 3 x 235 mm		Faceplate 24 x 3 x 235 mm		Angled faceplate 20 x 12 x 235 mm	
			DIN LH	DIN RH	DIN LH	DIN RH	DIN LH	DIN RH
Satin stainless steel	65	Round	B 2391 0258	B 2391 0257	B 2391 0214	B 2391 0213	B 2391 0234	B 2391 0233
	80	Round	B 2391 0260	B 2391 0259	B 2391 0218	B 2391 0217	B 2391 0236	B 2391 0235
	100	Round	B 2391 0262	B 2391 0261	B 2391 0222	B 2391 0221	B 2391 0238	B 2391 0237

B 2391 shoot-bolt lock, prepared for use with B 2598 remote lock

Faceplate Finish	Backset mm	Faceplate Shape	Faceplate 20 x 3 x 235 mm		Faceplate 24 x 3 x 235 mm		Angled faceplate 20 x 12 x 235 mm	
			DIN LH	DIN RH	DIN LH	DIN RH	DIN LH	DIN RH
Satin stainless steel	65	Round	B 2391 2258	B 2391 2257	B 2391 2214	B 2391 2213	B 2391 2234	B 2391 2233
	80	Round	B 2391 2260	B 2391 2259	B 2391 2218	B 2391 2217	B 2391 2236	B 2391 2235
	100	Round	B 2391 2262	B 2391 2261	B 2391 2222	B 2391 2221	B 2391 2238	B 2391 2237

B 2391 shoot-bolt lock for manual locking of passive leaf

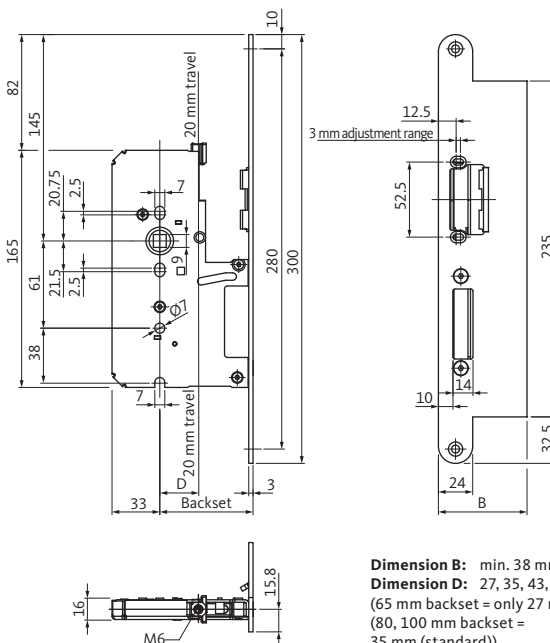
Faceplate Finish	Backset mm	Faceplate Shape	Faceplate 20 x 3 x 235 mm		Faceplate 24 x 3 x 235 mm		Angled faceplate 20 x 12 x 235 mm	
			DIN LH	DIN RH	DIN LH	DIN RH	DIN LH	DIN RH
Satin stainless steel	65	Round	B 2391 0264	B 2391 0263	B 2391 0202	B 2391 0201	B 2391 0240	B 2391 0239
	80	Round	B 2391 0266	B 2391 0265	B 2391 0206	B 2391 0205	B 2391 0242	B 2391 0241
	100	Round	B 2391 0268	B 2391 0267	B 2391 0210	B 2391 0209	B 2391 0244	B 2391 0243

Additional options (available on request)

Faceplate		Follower	Backset, mm	Special versions	Suitable lock
Material/Finish	Special faceplate				
-	Adapter faceplate	-	-	-	B-2349

B 2392 shoot-bolt lock

with automatic and manual locking, prepared for electric strike



Dimension B: min. 38 mm/max. 62.5 mm
Dimension D: 27, 35, 43, 45 mm
 (65 mm backset = only 27 mm)
 (80, 100 mm backset = 35 mm (standard))

Functional description

When the passive leaf is closed, automatic locking of vertical rods at the top and bottom is triggered by passive-leaf control lock B 1895. When unlocking, the vertical rods are retracted into the passive leaf by operating the vertical lever or panic push bar which pushes the latch back into the lock of the active leaf.

Product description

B 2392 shoot bolt lock,
 prepared for METÖ electric strike

- Approved to EN 179 (emergency exits), EN 1125 (panic doors)
- Satin stainless steel faceplate
- 9 mm follower

Classification code

EN 179

3	7	7	B	1	3	4	2	A	C
---	---	---	---	---	---	---	---	---	---

EN 1125

3	7	7	B	1	3	2	1/2	A/B	C
---	---	---	---	---	---	---	-----	-----	---

Standards



[1] only for automatic locking

B 2392 shoot-bolt lock, prepared for B-9252 METÖ electric strike

Faceplate Finish	Backset mm	Faceplate Shape	Faceplate 24 x 3 x 235 mm		Lipped faceplate dim. B = 62.5 mm	
			DIN LH	DIN RH	DIN LH	DIN RH
Satin stainless steel	65	Round	B 2392 6000	B 2392 6001	B 2392 6020	B 2392 6021
	80	Round	B 2392 6002	B 2392 6003	B 2392 6022	B 2392 6023
	100	Round	B 2392 6004	B 2392 6005	B 2392 6024	B 2392 6025

B 2392 shoot-bolt lock for manual locking of the passive leaf, prepared for B-9252 METÖ electric strike

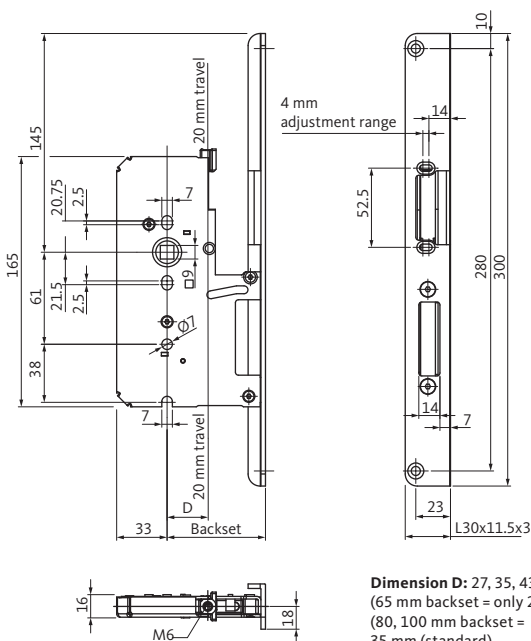
Faceplate Finish	Backset mm	Faceplate Shape	Faceplate 24 x 3 x 235 mm		Lipped faceplate dim. B = 62.5 mm	
			DIN LH	DIN RH	DIN LH	DIN RH
Satin stainless steel	65	Round	B 2392 6010	B 2392 6011	B 2392 6030	B 2392 6031
	80	Round	B 2392 6012	B 2392 6013	B 2392 6032	B 2392 6033
	100	Round	B 2392 6014	B 2392 6015	B 2392 6034	B 2392 6035

Additional options (available on request)

Faceplate		Follower	Backset mm	Special versions	Suitable locks	
Material/Finish	Special faceplate				B-2321 B-2323	B-2325 B-2327
-	-	-	-	-		

B 2392 shoot-bolt lock

with automatic and manual locking, prepared for electric strike



Dimension D: 27, 35, 43, 45 mm
 (65 mm backset = only 27 mm)
 (80, 100 mm backset = 35 mm (standard))

Functional description

When the passive leaf is closed, automatic locking of vertical rods at the top and bottom is triggered by passive-leaf control lock B 1895. When unlocking, the vertical rods are retracted into the passive leaf by operating the vertical lever or panic push bar which pushes the latch back into the lock of the active leaf.

Product description

B 2392 shoot bolt lock,
 prepared for METÖ electric strike

- Approved to EN 179 (emergency exits), EN 1125 (panic doors)
- Satin stainless steel faceplate
- 9 mm follower

Classification code

EN 179

3	7	7	B	1	3	4	2	A	C
---	---	---	---	---	---	---	---	---	---

EN 1125

3	7	7	B	1	3	2	1/2	A/B	C
---	---	---	---	---	---	---	-----	-----	---

Standards



[1] only for automatic locking

B 2392 shoot-bolt lock, prepared for B-9252 METÖ electric strike

Faceplate Finish	Backset mm	Faceplate Shape	Angled faceplate 30 x 11.5 x 300 mm	
			DIN LH	DIN RH
Satin stainless steel	65	Round	B 2392 6040	B 2392 6041
	80	Round	B 2392 6042	B 2392 6043
	100	Round	B 2392 6044	B 2392 6045

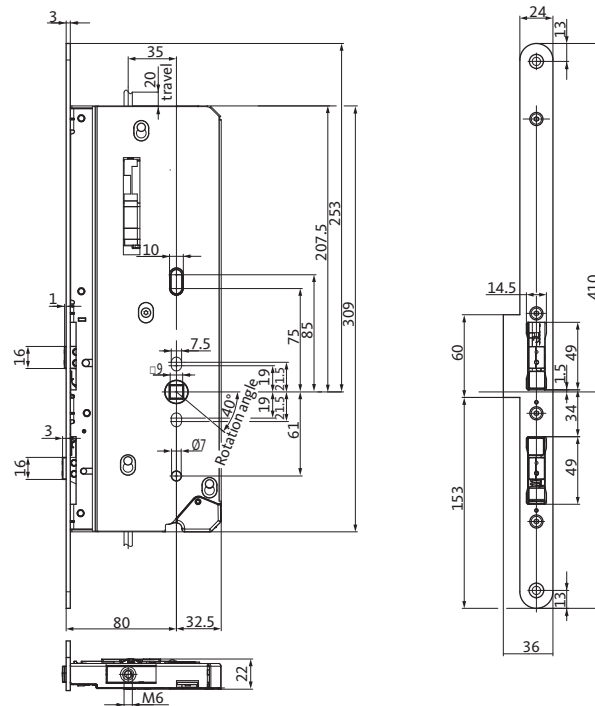
B 2392 shoot-bolt lock for manual locking of the passive leaf, prepared for B-9252 METÖ electric strike

Faceplate Finish	Backset mm	Faceplate Shape	Angled faceplate 30 x 11.5 x 300 mm	
			DIN LH	DIN RH
Satin stainless steel	65	Round	B 2392 6050	B 2392 6051
	80	Round	B 2392 6052	B 2392 6053
	100	Round	B 2392 6054	B 2392 6055

Additional options (available on request)

Faceplate		Follower	Backset mm	Special versions	Suitable locks	
Material/Finish	Special faceplate				B-2321 B-2323	B-2325 B-2327
-	-	-	-	-		

B-2393 motor-driven shoot-bolt lock



Functional description

The motor-driven shoot-bolt lock for the passive leaf of double-leaf doors can be opened manually, but also electrically in conjunction e.g. with a swing-door drive via a separate control unit. A motor lock on the active leaf is not necessary, as the active leaf can be opened independently of the passive leaf.

Product description

B-2393 motor-driven shoot-bolt lock

- Approved to EN 179 (emergency exits), EN 1125 (panic doors) and EN 14846
- Satin stainless steel faceplate
- 9 mm follower
- Incl. latch and deadbolt monitoring contact
- Operating voltage 24 V DC

Classification code

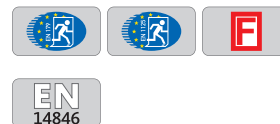
EN 179

3	7	7	B	1	3	4	2	A	C
---	---	---	---	---	---	---	---	---	---

EN 1125

3	7	7	B	1	3	2	1/2	A/B	C
---	---	---	---	---	---	---	-----	-----	---

Standards



B-2393 motor-driven shoot-bolt lock,

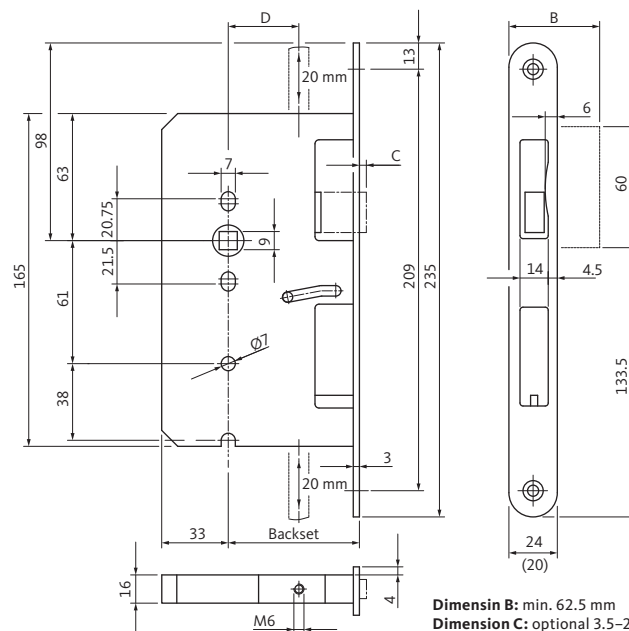
Faceplate Finish	Backset mm	Faceplate Shape	Faceplate 24 x 3 x 410 mm Non-handed	Lipped faceplate 24/36 x 3 x 410 mm	
				DIN LH	DIN RH
Satin stainless steel	65	Round	B-23930-00-0-8	B-23930-00-L-8	B-23930-00-R-8
	80	Round	B-23930-01-0-8	B-23930-01-L-8	B-23930-01-R-8
	100	Round	B-23930-02-0-8	B-23930-02-L-8	B-23930-02-R-8

Accessories to be ordered separately

Description	Order number	See page
Control unit for motor-driven lock	B-54900-01-2-8	410
SHEV control unit for motor-driven locks (for SHEV systems)	B-54900-02-4-9	410
Connecting cable	B 5490 0300	419
Power supply unit (24 V DC/4.2 A)	B 5570 0401	463
Emergency power buffer for fire protection doors	B-54903-23-3-9	410
Top-hat rail casing for control unit, emergency power buffer, power supply unit	B 5495 0251	410

B 2394 secured shoot-bolt lock

for automatic and manual locking



Dimension B: min. 62.5 mm
Dimension C: optional 3.5–20 mm (standard 3.5 mm)
Dimension D: 27, 35, 43, 45 mm (standard 35 mm)

Functional description

When the passive leaf is closed, automatic locking of vertical rods at the top and bottom is triggered by passive-leaf control lock B 1895. The deadbolt of the active leaf lock must always be retracted. Only then can the vertical lever manually retract the vertical rods during the opening process and push back the latch of the active leaf lock.

Product description

B 2394 secured shoot-bolt lock

- Satin stainless steel faceplate
- 9 mm follower

Standards



[1] only for automatic locking

B 2394 secured shoot-bolt lock

Faceplate Finish	Backset mm	Faceplate Shape	Faceplate 20 x 3 x 235 mm		Faceplate 24 x 3 x 235 mm		Angled faceplate 20 x 12 x 235 mm		Lipped faceplate, dim. B = 36 mm	
			DIN LH	DIN RH	DIN LH	DIN RH	DIN LH	DIN RH	DIN LH	DIN RH
Satin stainless steel	65	Round	B 2394 0310	B 2394 0309	B 2394 0202	B 2394 0201	B 2394 0302	B 2394 0301	B 2394 0242	B 2394 0241
	80	Round	B 2394 0312	B 2394 0311	B 2394 0222	B 2394 0221	B 2394 0304	B 2394 0303	B 2394 0282	B 2394 0281
	100	Round	B 2394 0314	B 2394 0313	B 2394 0226	B 2394 0225	B 2394 0322	B 2394 0321	B 2394 0260	B 2394 0259

B 2394 secured shoot-bolt lock for automatic locking of passive leaf, prepared for use with B 2598 remote lock

Faceplate Finish	Backset mm	Faceplate Shape	Faceplate 20 x 3 x 235 mm		Faceplate 24 x 3 x 235 mm		Angled faceplate 20 x 12 x 235 mm		Lipped faceplate, dim. B = 36 mm	
			DIN LH	DIN RH	DIN LH	DIN RH	DIN LH	DIN RH	DIN LH	DIN RH
Satin stainless steel	65	Round	B 2394 2310	B 2394 2309	B 2394 2202	B 2394 2201	B 2394 2302	B 2394 2301	B 2394 2242	B 2394 2241
	80	Round	B 2394 2312	B 2394 2311	B 2394 2222	B 2394 2221	B 2394 2304	B 2394 2303	B 2394 2282	B 2394 2281
	100	Round	B 2394 2314	B 2394 2313	B 2394 2226	B 2394 2225	B 2394 2322	B 2394 2321	B 2394 2260	B 2394 2259

B 2394 secured shoot-bolt lock for manual locking of passive leaf

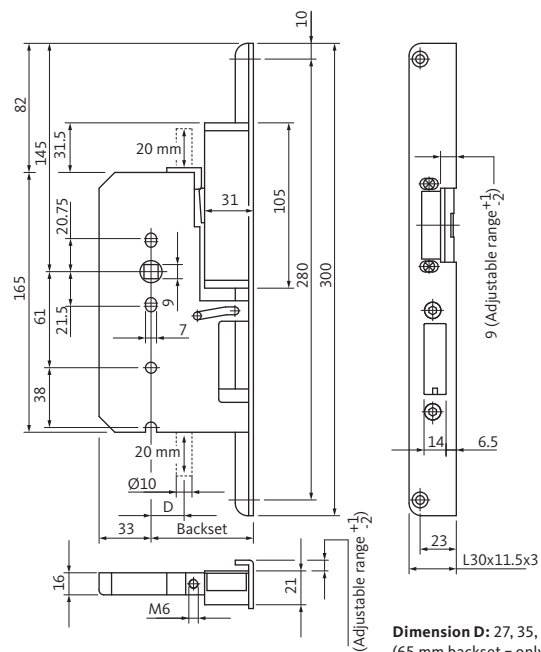
Faceplate Finish	Backset mm	Faceplate Shape	Faceplate 20 x 3 x 235 mm		Faceplate 24 x 3 x 235 mm		Angled faceplate 20 x 12 x 235 mm		Lipped faceplate, dim. B = 36 mm	
			DIN LH	DIN RH	DIN LH	DIN RH	DIN LH	DIN RH	DIN LH	DIN RH
Satin stainless steel	65	Round	B 2394 0316	B 2394 0315	B 2394 0230	B 2394 0229	B 2394 0306	B 2394 0305	B 2394 0258	B 2394 0257
	80	Round	B 2394 0318	B 2394 0317	B 2394 0234	B 2394 0233	B 2394 0308	B 2394 0307	B 2394 0262	B 2394 0261
	100	Round	B 2394 0320	B 2394 0319	B 2394 0238	B 2394 0237	B 2394 0324	B 2394 0323	B 2394 0264	B 2394 0263

Additional options (available on request)

Faceplate		Follower	Backset mm	Special versions	Suitable lock
Material/Finish	Special faceplate				
-	Adapter faceplate	-	-	-	B-1206

B 2397 secured shoot-bolt lock

with automatic and manual locking, prepared for electric strike



Dimension D: 27, 35, 43, 45 mm
 (65 mm backset = only 27 mm)
 (80, 100 mm backset = 35 mm (standard))

Functional description

When the passive leaf is closed, automatic locking of vertical rods at the top and bottom is triggered by passive-leaf control lock B 1895. The deadbolt of the active leaf lock must always be retracted. Only then can the vertical lever manually retract the vertical rods during the opening process.

Product description

B 2397 secured shoot-bolt lock,
 prepared for METÖ electric strike

- Satin stainless steel faceplate
- 9 mm follower

Standards



[1] only for automatic locking

B 2397 secured shoot-bolt lock, prepared for B-9252 METÖ electric strike

Faceplate Finish	Backset mm	Faceplate Shape	Angled faceplate 30 x 11.5 x 300 mm		Lipped faceplate, dim. B = 62.5 mm	
			DIN LH	DIN RH	DIN LH	DIN RH
Satin stainless steel	65	Round	B 2397 6040	B 2397 6041	B 2397 6020	B 2397 6021
	80	Round	B 2397 6042	B 2397 6043	B 2397 6022	B 2397 6023
	100	Round	B 2397 6044	B 2397 6045	B 2397 6024	B 2397 6025

B 2397 secured shoot-bolt lock for manual locking of passing leaf, prepared for B-9252 METÖ electric strike

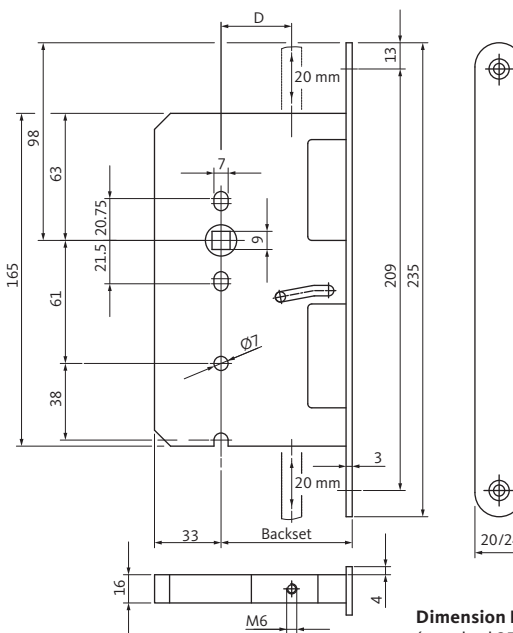
Faceplate Finish	Backset mm	Faceplate Shape	Angled faceplate 30 x 11.5 x 300 mm		Lipped faceplate, dim. B = 62.5 mm	
			DIN LH	DIN RH	DIN LH	DIN RH
Satin stainless steel	65	Round	B 2397 6050	B 2397 6051	B 2397 6030	B 2397 6031
	80	Round	B 2397 6052	B 2397 6053	B 2397 6032	B 2397 6033
	100	Round	B 2397 6054	B 2397 6055	B 2397 6034	B 2397 6035

Additional options (available on request)

Faceplate		Follower	Backset mm	Special versions	Suitable lock
Material/Finish	Special faceplate				
-	-	-	-	-	B-1206

B 2495 shoot-bolt lock

for automatic and manual locking



Dimension D: 27, 35, 43, 45 mm
(standard 35 mm)

Functional description

When the door leaf is closed, automatic locking of the vertical rods at the top and bottom is triggered by passive-leaf control lock B 1895.

When unlocking, the vertical rods are retracted manually into the passive leaf by operating the vertical lever. When the opening movement is completed, the vertical rod is automatically locked in place within the control lock.

Product description

B 2495 shoot-bolt lock
with automatic or manual locking

- Satin stainless steel faceplate
- 9 mm follower

Standards



[1] only for automatic locking

B 2495 shoot-bolt lock

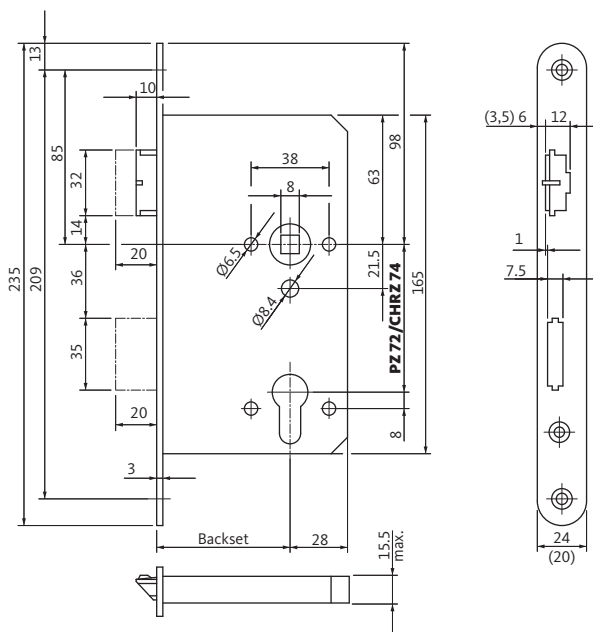
Faceplate Finish	Backset mm	Faceplate Shape	Faceplate 20 x 3 x 235 mm Non-handed	Faceplate 24 x 3 x 235 mm Non-handed
Satin stainless steel	65	Round	B 2495 0204	B 2495 0201
	80	Round	B 2495 0205	B 2495 0202
	100	Round	B 2495 0206	B 2495 0203

Additional options (available on request)

Faceplate		Follower	Backset mm	Special versions
Material/Finish	Width			
-	-	-	-	Follower monitoring

B 2124 mortise lock

with 'Butler' function



Functional description

Standard function

Passage possible from inside by operating the lever handle. Mechanical access from outside using the key (via the latch lever).

Switching function

The interior lever handle is decoupled by turning the key in locking direction. When the lever handle is set to idle, the door can only be opened from the inside using the key. When closing, the door is automatically double-locked at all times.

Product description

B 2124 mortise lock

- Satin stainless steel faceplate
- 8 mm follower
- Automatic latchbolt, 20 mm latch/deadbolt projection in locked position
- Deadbolt, 1-turn (20 mm)
- With latch lever
- 72 mm (PC), 74 mm (CH-RC) hole distance

B 2124 'Butler' mortise lock

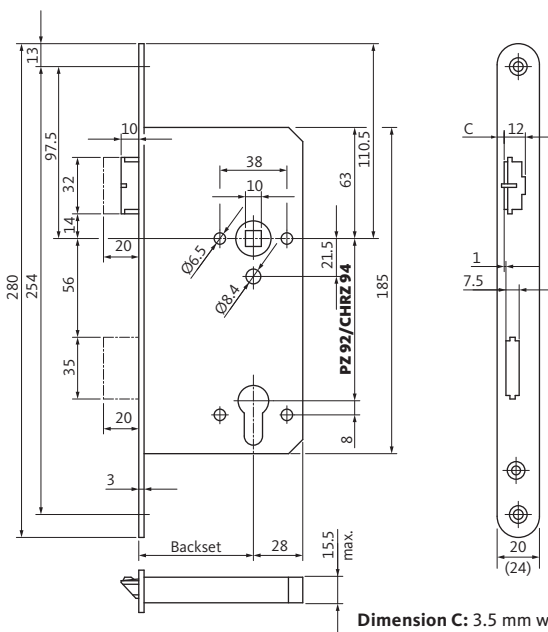
Faceplate Finish	Backset mm	Faceplate Shape	Faceplate 18 x 3 x 235 mm		Faceplate 20 x 3 x 235 mm		Faceplate 24 x 3 x 235 mm	
			DIN LH	DIN RH	DIN LH	DIN RH	DIN LH	DIN RH
Satin stainless steel	55	Square	B 2124 0007	B 2124 0008	B 2124 0009	B 2124 0010	B 2124 0011	B 2124 0012
		Round	B 2124 0001	B 2124 0002	B 2124 0003	B 2124 0004	B 2124 0005	B 2124 0006
	60	Square	B 2124 0019	B 2124 0020	B 2124 0021	B 2124 0022	B 2124 0023	B 2124 0024
		Round	B 2124 0013	B 2124 0014	B 2124 0015	B 2124 0016	B 2124 0017	B 2124 0018
	65	Square	B 2124 0031	B 2124 0032	B 2124 0033	B 2124 0034	B 2124 0035	B 2124 0036
		Round	B 2124 0025	B 2124 0026	B 2124 0027	B 2124 0028	B 2124 0029	B 2124 0030
	80	Square	B 2124 0055	B 2124 0056	B 2124 0057	B 2124 0058	B 2124 0059	B 2124 0060
		Round	B 2124 0049	B 2124 0050	B 2124 0051	B 2124 0052	B 2124 0053	B 2124 0054
	100	Square	B 2124 0067	B 2124 0068	B 2124 0069	B 2124 0070	B 2124 0071	B 2124 0072
		Round	B 2124 0061	B 2124 0062	B 2124 0063	B 2124 0064	B 2124 0065	B 2124 0066

Additional options (available on request)

Faceplate		Follower	Backset mm	Special versions	Suitable strikers	
Material/Finish	Special faceplate				DIN LH	DIN RH
-	-	9 mm	-	CH-RC hole-type	B-90000-61-L-8	B-90000-61-R-8
					B-90000-05-0-8	

B 2154 entrance door lock

with 'Butler' function



Dimension C: 3.5 mm with 20–24 mm faceplate, 8.5 mm with 28 mm faceplate

Functional description

Standard function

Passage possible from inside by operating the lever handle. Mechanical access from outside using the key (via the latch lever).

Switching function

The interior lever handle is decoupled by turning the key in locking direction. When the lever handle is set to idle, the door can only be opened from the inside using the key. When closing, the door is automatically double-locked at all times.

Product description

B 2154 entrance door lock

- Satin stainless steel faceplate
- 10 mm follower
- Automatic latchbolt, 20 mm latch/deadbolt projection in locked position
- Deadbolt, 1-turn (20 mm)
- With latch lever
- PC 92 mm hole distance

B 2154 'Butler' entrance door lock

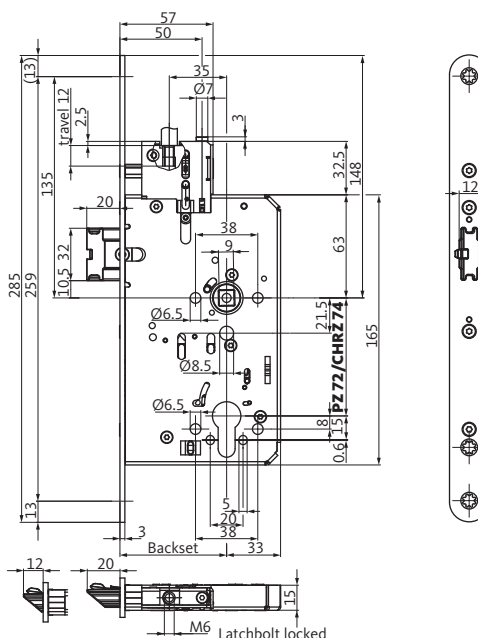
Faceplate Finish	Backset mm	Faceplate Shape	20 mm faceplate for rebated doors		24 mm faceplate for flush doors	
			DIN LH	DIN RH	DIN LH	DIN RH
Satin stainless steel	55	Square	B 2154 0009	B 2154 0010	B 2154 0013	B 2154 0014
		Round	B 2154 0001	B 2154 0002	B 2154 0005	B 2154 0006
	60	Square	B 2154 0025	B 2154 0026	B 2154 0029	B 2154 0030
		Round	B 2154 0017	B 2154 0018	B 2154 0021	B 2154 0022
	65	Square	B 2154 0041	B 2154 0042	B 2154 0045	B 2154 0046
		Round	B 2154 0033	B 2154 0034	B 2154 0037	B 2154 0038
	80	Square	B 2154 0073	B 2154 0074	B 2154 0077	B 2154 0078
		Round	B 2154 0065	B 2154 0066	B 2154 0069	B 2154 0070

Additional options (available on request)

Faceplate		Follower	Backset, mm	Special versions	Suitable strikers	
Material/Finish	Special faceplate				DIN LH	DIN RH
-	22 mm for rebated doors 28 mm for flush doors	9 mm	-	CH-RC hole-type	B-90000-61-L-8 B-90000-05-0-8	B-90000-61-R-8

B-2100 panic lock

for 1-leaf doors with top-locking feature



Functional description

Panic function B

Self-locking panic lock for single-leaf doors with mechanical panic function on the interior lever handle. The door can always be opened towards the outside. The exterior lever handle can be engaged or disengaged mechanically using the key. For a detailed functional description see page 486

Product description

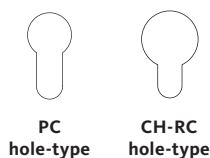
B-2100 panic lock with top-locking feature

- Approved for fire rated doors to EN 12209, EN 179 (emergency exits), EN 1125 (panic doors)
- Reversible latchbolt
- Switchable panic side outward/inward
- Satin stainless steel faceplate
- 9 mm split follower
- 72 mm (PC), 74 mm (CH-RC) hole distance
- Optional with monitoring contacts

Classification code

EN 179										
3	7	7	B	1	3	4	2	A	B/D	
EN 1125										
3	7	7	B	1	3	2	1/2	A/B	B	
EN 12209										
3	S	3	1	0	C	6	B	B	2	0

Variants



Standards



B-2100 panic lock for 1-leaf doors, prepared for top-locking

Faceplate Finish	Backset mm	Faceplate Shape	Faceplate 20 x 3 x 285 mm		Faceplate 24 x 3 x 285 mm
			DIN LH	DIN RH	Non-handed
Satin stainless steel	55	Round	B-21000-00-L-8	B-21000-00-R-8	B-21000-20-L-8*
	60	Round	B-21000-01-L-8	B-21000-01-R-8	B-21000-21-L-8*
	65	Round	B-21000-02-L-8	B-21000-02-R-8	B-21000-22-L-8*
	80	Round	B-21000-03-L-8	B-21000-03-R-8	B-21000-23-L-8*
	100	Round	B-21000-04-L-8	B-21000-04-R-8	B-21000-24-L-8*

B-2100 panic lock with CH-RC hole-type for 1-leaf doors, prepared for top-locking

Faceplate Finish	Backset mm	Faceplate Shape	Faceplate 20 x 3 x 285 mm CH-RC hole-type		Faceplate 24 x 3 x 285 mm
			DIN LH	DIN RH	CH-RC hole-type Non-handed
Satin stainless steel	55	Round	B-21000-10-L-8	B-21000-10-R-8	B-21000-30-L-8*
	60	Round	B-21000-11-L-8	B-21000-11-R-8	B-21000-31-L-8*
	65	Round	B-21000-12-L-8	B-21000-12-R-8	B-21000-32-L-8*
	80	Round	B-21000-13-L-8	B-21000-13-R-8	B-21000-33-L-8*
	100	Round	B-21000-14-L-8	B-21000-14-R-8	B-21000-34-L-8*

***Make 1 out of 8 – and 8 out of 1**

- Reversible latch (non-handed)
- Switchable panic side (outward/inward)
- Adaptable top-locking feature

Additional options (available on request)

Faceplate		Follower	Backset, mm	Special versions	Suitable strikers	
Material/Finish	Special faceplate				DIN LH	DIN RH
–	Exchangeable faceplate	–	–	Lock monitoring	B-90000-55-L-8	B-90000-55-R-8
					B-90000-01-0-8	

B-2101 panic lock for 2-leaf doors, prepared for top-locking

Faceplate Finish	Backset mm	Faceplate Shape	Faceplate 20 x 3 x 285 mm		Faceplate 24 x 3 x 285 mm
			DIN LH	DIN RH	Non-handed
Satin stainless steel	55	Round	B-21010-00-L-8	B-21010-00-R-8	B-21010-20-L-8*
	60	Round	B-21010-01-L-8	B-21010-01-R-8	B-21010-21-L-8*
	65	Round	B-21010-02-L-8	B-21010-02-R-8	B-21010-22-L-8*
	80	Round	B-21010-03-L-8	B-21010-03-R-8	B-21010-23-L-8*
	100	Round	B-21010-04-L-8	B-21010-04-R-8	B-21010-24-L-8*

B-2101 panic lock with CH-RC hole-type for 2-leaf doors, prepared for top-locking

Faceplate Finish	Backset mm	Faceplate Shape	Faceplate 20 x 3 x 285 mm CH-RC hole-type		Faceplate 24 x 3 x 285 mm
			DIN LH	DIN RH	CH-RC hole-type Non-handed
Satin stainless steel	55	Round	B-21010-10-L-8	B-21010-10-R-8	B-21010-30-L-8*
	60	Round	B-21010-11-L-8	B-21010-11-R-8	B-21010-31-L-8*
	65	Round	B-21010-12-L-8	B-21010-12-R-8	B-21010-32-L-8*
	80	Round	B-21010-13-L-8	B-21010-13-R-8	B-21010-33-L-8*
	100	Round	B-21010-14-L-8	B-21010-14-R-8	B-21010-34-L-8*

***Make 1 out of 8 – and 8 out of 1**

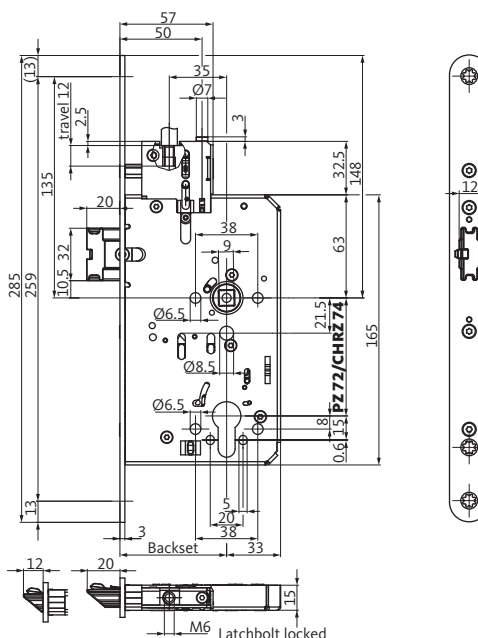
- Reversible latch (non-handed)
- Switchable panic side (outward/inward)
- Adaptable top-locking feature

Additional options (available on request)

Faceplate		Follower	Backset, mm	Special versions	Suitable shoot-bolt lock
Material/Finish	Special faceplate				
–	Exchangeable faceplate	–	–	Lock monitoring	B 2190

B-2102 panic lock

for 1-leaf doors with top-locking feature



Functional description

Panic function C

Self-locking panic lock for single-leaf doors with mechanical panic function on the interior lever handle. The door can always be opened towards the outside.

The exterior lever handle is always set to idle. The door can only be opened by operating the key and the lever handle. When the key is removed, the exterior lever handle reverts automatically to idle.

For a detailed functional description see page 487

Product description

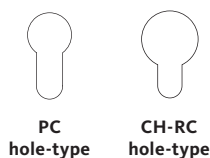
B-2102 panic lock with top-locking feature

- Approved for fire rated doors to EN 12209, EN 179 (emergency exits), EN 1125 (panic doors)
- Reversible latchbolt
- Switchable panic side outward/inward
- Satin stainless steel faceplate
- 9 mm split follower
- 72 mm (PC), 74 mm (CH-RC) hole distance
- Optional with monitoring contacts

Classification code

EN 179										
3	7	7	B	1	3	4	2	A	B/D	
EN 1125										
3	7	7	B	1	3	2	1/2	A/B	B	
EN 12209										
3	S	3	1	0	C	6	B	B	2	0

Variants



Standards



B-2102 panic lock for 1-leaf doors, prepared for top-locking

Faceplate Finish	Backset mm	Faceplate Shape	Faceplate 20 x 3 x 285 mm		Faceplate 24 x 3 x 285 mm
			DIN LH	DIN RH	Non-handed
Satin stainless steel	55	Round	B-21020-00-L-8	B-21020-00-R-8	B-21020-20-L-8*
	60	Round	B-21020-01-L-8	B-21020-01-R-8	B-21020-21-L-8*
	65	Round	B-21020-02-L-8	B-21020-02-R-8	B-21020-22-L-8*
	80	Round	B-21020-03-L-8	B-21020-03-R-8	B-21020-23-L-8*
	100	Round	B-21020-04-L-8	B-21020-04-R-8	B-21020-24-L-8*

B-2102 panic lock with CH-RC hole-type for 1-leaf doors, prepared for top-locking

Faceplate Finish	Backset mm	Faceplate Shape	Faceplate 20 x 3 x 285 mm CH-RC hole-type		Faceplate 24 x 3 x 285 mm
			DIN LH	DIN RH	CH-RC hole-type Non-handed
Satin stainless steel	55	Round	B-21020-10-L-8	B-21020-10-R-8	B-21020-30-L-8*
	60	Round	B-21020-11-L-8	B-21020-11-R-8	B-21020-31-L-8*
	65	Round	B-21020-12-L-8	B-21020-12-R-8	B-21020-32-L-8*
	80	Round	B-21020-13-L-8	B-21020-13-R-8	B-21020-33-L-8*
	100	Round	B-21020-14-L-8	B-21020-14-R-8	B-21020-34-L-8*

***Make 1 out of 8 – and 8 out of 1**

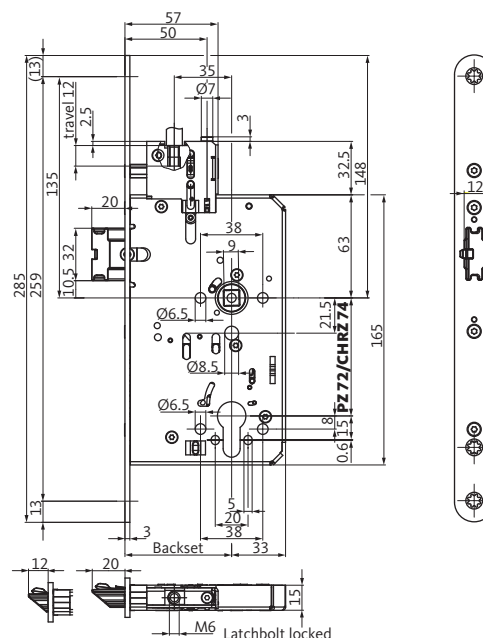
- Reversible latch (non-handed)
- Switchable panic side (outward/inward)
- Adaptable top-locking feature

Additional options (available on request)

Faceplate		Follower	Backset, mm	Special versions	Suitable strikers	
Material/Finish	Special faceplate				DIN LH	DIN RH
–	Exchangeable faceplate	–	–	Lock monitoring	B-90000-55-L-8	B-90000-55-R-8
					B-90000-01-0-8	

B-2103 panic lock

for 2-leaf doors with top-locking feature



Functional description

Panic function C

The self-locking panic lock for double-leaf doors with mechanical panic function on the interior lever handle. The door can always be opened towards the outside.

The exterior lever handle is always set to idle. The door can only be opened by operating the key and the lever handle. When the key is removed, the exterior lever handle reverts automatically to idle.

For a detailed functional description see page 487

Product description

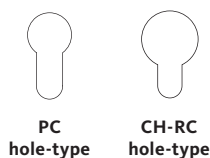
B-2103 panic lock with top-locking feature

- Approved for fire rated doors to EN 12209, EN 179 (emergency exits), EN 1125 (panic doors)
- Reversible latchbolt
- Switchable panic side outward/inward
- Satin stainless steel faceplate
- 9 mm split follower
- 72 mm (PC), 74 mm (CH-RC) hole distance
- Optional with monitoring contacts

Classification code

EN 179										
3	7	7	B	1	3	4	2	A	A	
EN 1125										
3	7	7	B	1	3	2	1/2	A/B	A	
EN 12209										
3	S	3	1	0	C	0	B	B	2	0

Variants



Standards



B-2103 panic lock for 2-leaf doors, prepared for locking to the top

Faceplate Finish	Backset mm	Faceplate Shape	Faceplate 20 x 3 x 285 mm		Faceplate 24 x 3 x 285 mm
			DIN LH	DIN RH	Non-handed
Satin stainless steel	55	Round	B-21030-00-L-8	B-21030-00-R-8	B-21030-20-L-8*
	60	Round	B-21030-01-L-8	B-21030-01-R-8	B-21030-21-L-8*
	65	Round	B-21030-02-L-8	B-21030-02-R-8	B-21030-22-L-8*
	80	Round	B-21030-03-L-8	B-21030-03-R-8	B-21030-23-L-8*
	100	Round	B-21030-04-L-8	B-21030-04-R-8	B-21030-24-L-8*

B-2103 panic lock with CH-RC hole-type for 2-leaf doors, prepared for top-locking

Faceplate Finish	Backset mm	Faceplate Shape	Faceplate 20 x 3 x 285 mm CH-RC hole-type		Faceplate 24 x 3 x 285 mm
			DIN LH	DIN RH	CH-RC hole-type Non-handed
Satin stainless steel	55	Round	B-21030-10-L-8	B-21030-10-R-8	B-21030-30-L-8*
	60	Round	B-21030-11-L-8	B-21030-11-R-8	B-21030-31-L-8*
	65	Round	B-21030-12-L-8	B-21030-12-R-8	B-21030-32-L-8*
	80	Round	B-21030-13-L-8	B-21030-13-R-8	B-21030-33-L-8*
	100	Round	B-21030-14-L-8	B-21030-14-R-8	B-21030-34-L-8*

***Make 1 out of 8 – and 8 out of 1**

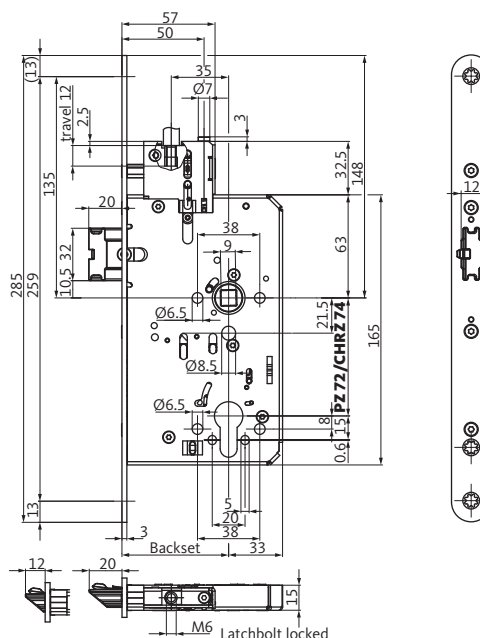
- Reversible latch (non-handed)
- Switchable panic side (outward/inward)
- Adaptable top-locking feature

Additional options (available on request)

Faceplate		Follower	Backset, mm	Special versions	Suitable shoot-bolt lock
Material/Finish	Special faceplate				
–	Exchangeable faceplate	–	–	Lock monitoring	B 2190

B-2106 panic lock

for 1-leaf doors with top-locking feature



Functional description

Panic function E

Self-locking panic lock for single-leaf doors with mechanical panic function on the interior lever handle. The door can always be opened towards the outside. Mechanical access from outside using the key (via the latch lever).

For a detailed functional description see page 489

Product description

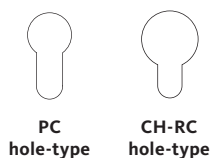
B-2106 panic lock with top-locking feature

- Approved for fire rated doors to EN 12209, EN 179 (emergency exits), EN 1125 (panic doors)
- Reversible latchbolt
- Satin stainless steel faceplate
- 9 mm split follower
- With latch lever
- 72 mm (PC), 74 mm (CH-RC) hole distance
- Optional with monitoring contacts

Classification code

EN 179										
3	7	7	B	1	3	4	2	A	B/D	
EN 1125										
3	7	7	B	1	3	2	1/2	A/B	B	
EN 12209										
3	S	3	1	0	C	6	B	B	2	0

Variants



Standards



B-2106 panic lock for 1-leaf doors, prepared for top-locking

Faceplate Finish	Backset mm	Faceplate Shape	Faceplate 20 x 3 x 285 mm		Faceplate 24 x 3 x 285 mm
			DIN LH	DIN RH	Non-handed
Satin stainless steel	55	Round	B-21060-00-L-8	B-21060-00-R-8	B-21060-40-L-8*
	60	Round	B-21060-01-L-8	B-21060-01-R-8	B-21060-41-L-8*
	65	Round	B-21060-02-L-8	B-21060-02-R-8	B-21060-42-L-8*
	80	Round	B-21060-03-L-8	B-21060-03-R-8	B-21060-43-L-8*
	100	Round	B-21060-04-L-8	B-21060-04-R-8	B-21060-44-L-8*

B-2106 panic lock with CH-RC hole-type for 1-leaf doors, prepared for top-locking

Faceplate Finish	Backset mm	Faceplate Shape	Faceplate 20 x 3 x 285 mm CH-RC hole-type		Faceplate 24 x 3 x 285 mm CH-RC hole-type
			DIN LH	DIN RH	Non-handed
Satin stainless steel	55	Round	B-21060-20-L-8	B-21060-20-R-8	B-21060-60-L-8*
	60	Round	B-21060-21-L-8	B-21060-21-R-8	B-21060-61-L-8*
	65	Round	B-21060-22-L-8	B-21060-22-R-8	B-21060-62-L-8*
	80	Round	B-21060-23-L-8	B-21060-23-R-8	B-21060-63-L-8*
	100	Round	B-21060-24-L-8	B-21060-24-R-8	B-21060-64-L-8*

***Make 1 out of 4 – and 4 out of 1**

- Reversible latch (non-handed)
- Adaptable top-locking feature

Additional options (available on request)

Faceplate		Follower	Backset, mm	Special versions	Suitable strikers	
Material/Finish	Special faceplate				DIN LH	DIN RH
–	Exchangeable faceplate	–	–	Lock monitoring	B-90000-55-L-8	B-90000-55-R-8
					B-90000-01-0-8	

B-2107 panic lock for 2-leaf doors, prepared for locking to the top

Faceplate Finish	Backset mm	Faceplate Shape	Faceplate 20 x 3 x 285 mm		Faceplate 24 x 3 x 285 mm
			DIN LH	DIN RH	Non-handed
Satin stainless steel	55	Round	B-21070-00-L-8	B-21070-00-R-8	B-21070-40-L-8*
	60	Round	B-21070-01-L-8	B-21070-01-R-8	B-21070-41-L-8*
	65	Round	B-21070-02-L-8	B-21070-02-R-8	B-21070-42-L-8*
	80	Round	B-21070-03-L-8	B-21070-03-R-8	B-21070-43-L-8*
	100	Round	B-21070-04-L-8	B-21070-04-R-8	B-21070-44-L-8*

B-2107 panic lock with CH-RC hole-type for 2-leaf doors, prepared for top-locking

Faceplate Finish	Backset mm	Faceplate Shape	Faceplate 20 x 3 x 285 mm CH-RC hole-type		Faceplate 24 x 3 x 285 mm
			DIN LH	DIN RH	CH-RC hole-type Non-handed
Satin stainless steel	55	Round	B-21070-20-L-8	B-21070-20-R-8	B-21070-60-L-8*
	60	Round	B-21070-21-L-8	B-21070-21-R-8	B-21070-61-L-8*
	65	Round	B-21070-22-L-8	B-21070-22-R-8	B-21070-62-L-8*
	80	Round	B-21070-23-L-8	B-21070-23-R-8	B-21070-63-L-8*
	100	Round	B-21070-24-L-8	B-21070-24-R-8	B-21070-64-L-8*

***Make 1 out of 4 – and 4 out of 1**

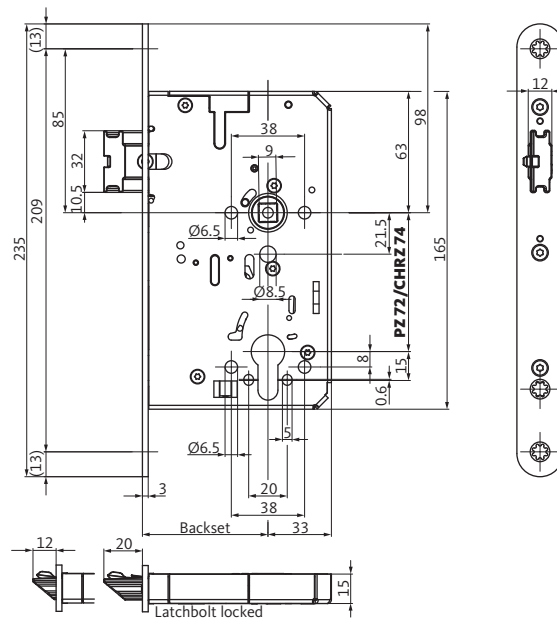
- Reversible latch (non-handed)
- Adaptable top-locking feature

Additional options (available on request)

Faceplate		Follower	Backset, mm	Special versions	Suitable shoot-bolt lock
Material/Finish	Special faceplate				
–	Exchangeable faceplate	–	–	Lock monitoring	B 2190

B-2110 panic lock

for 1-leaf doors



Functional description

Panic function B

Self-locking panic lock for single-leaf doors with mechanical panic function on the interior lever handle. The door can always be opened towards the outside. The exterior lever handle can be engaged or disengaged mechanically using the key. For a detailed functional description see page 486

Product description

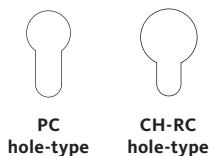
B-2110 panic lock

- Approved for fire rated doors to EN 12209, EN 179 (emergency exits), EN 1125 (panic doors)
- Reversible latchbolt
- Switchable panic side outward/inward
- Satin stainless steel faceplate
- 9 mm split follower
- Automatic latchbolt, 20 mm latch/deadbolt projection in locked position
- 72 mm (PC), 74 mm (CH-RC) hole distance
- Optional with monitoring contacts

Classification code

EN 179										
3	7	7	B	1	3	4	2	A	B/D	
EN 1125										
3	7	7	B	1	3	2	1/2	A/B	B	
EN 12209										
3	S	3	1	0	C	6	B	B	2	0

Variants



Standards



B-2110 fire rated door lock for 1-leaf doors

Faceplate Finish	Backset mm	Faceplate Shape	Faceplate 20 x 3 x 235 mm		Faceplate 24 x 3 x 235 mm
			DIN LH	DIN RH	Non-handed
Satin stainless steel	55	Round	B-21100-00-L-8	B-21100-00-R-8	B-21100-20-L-8*
	60	Round	B-21100-01-L-8	B-21100-01-R-8	B-21100-21-L-8*
	65	Round	B-21100-02-L-8	B-21100-02-R-8	B-21100-22-L-8*
	80	Round	B-21100-03-L-8	B-21100-03-R-8	B-21100-23-L-8*
	100	Round	B-21100-04-L-8	B-21100-04-R-8	B-21100-24-L-8*

B-2110 panic lock with CH-RC hole-type for 1-leaf doors

Faceplate Finish	Backset mm	Faceplate Shape	Faceplate 20 x 3 x 235 mm CH-RC hole-type		Faceplate 24 x 3 x 235 mm CH-RC hole-type
			DIN LH	DIN RH	Non-handed
Satin stainless steel	55	Round	B-21100-10-L-8	B-21100-10-R-8	B-21100-30-L-8*
	60	Round	B-21100-11-L-8	B-21100-11-R-8	B-21100-31-L-8*
	65	Round	B-21100-12-L-8	B-21100-12-R-8	B-21100-32-L-8*
	80	Round	B-21100-13-L-8	B-21100-13-R-8	B-21100-33-L-8*
	100	Round	B-21100-14-L-8	B-21100-14-R-8	B-21100-34-L-8*

*Make 1 out of 8 – and 8 out of 1

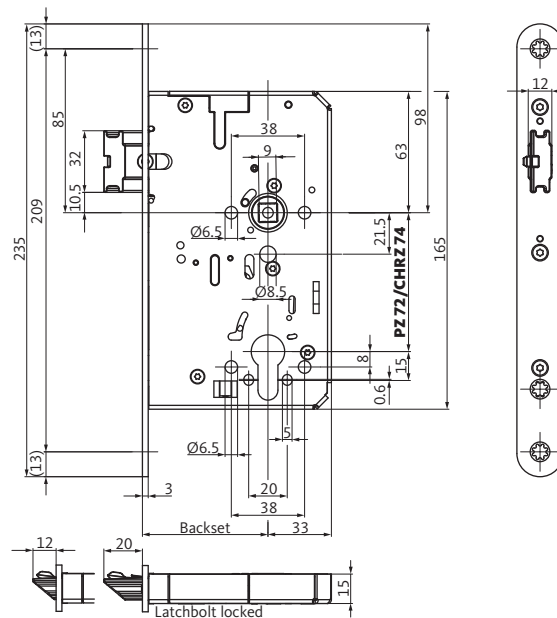
- Reversible latch (non-handed)
- Switchable panic side (outward/inward)
- Adaptable top-locking feature

Additional options (available on request)

Faceplate		Follower	Backset, mm	Special versions	Suitable strikers	
Material/Finish	Special faceplate				DIN LH	DIN RH
–	Exchangeable faceplate	–	–	Lock monitoring	B-90000-55-L-8	B-90000-55-R-8
					B-90000-01-0-8	

B-2111 panic lock

for 2-leaf doors



Functional description

Panic function B

The self-locking panic lock for double-leaf doors with mechanical panic function on the interior lever handle. The door can always be opened towards the outside. The exterior lever handle can be engaged or disengaged mechanically using the key. For a detailed functional description see page 486

Product description

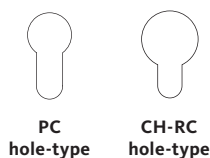
B-2111 panic lock

- Approved for fire rated doors to EN 12209, EN 179 (emergency exits), EN 1125 (panic doors)
- Reversible latchbolt
- Switchable panic side outward/inward
- Satin stainless steel faceplate
- 9 mm split follower
- Automatic latchbolt, 20 mm latch/deadbolt projection in locked position
- 72 mm (PC), 74 mm (CH-RC) hole distance
- Optional with monitoring contacts

Classification code

EN 179										
3	7	7	B	1	3	4	2	A	A	
EN 1125										
3	7	7	B	1	3	2	1/2	A/B	A	
EN 12209										
3	S	3	1	0	C	0	B	B	2	0

Variants



Standards



B-2111 panic lock for 2-leaf doors

Faceplate Finish	Backset mm	Faceplate Shape	Faceplate 20 x 3 x 235 mm		Faceplate 24 x 3 x 235 mm
			DIN LH	DIN RH	Non-handed
Satin stainless steel	55	Round	B-21110-00-L-8	B-21110-00-R-8	B-21110-20-L-8*
	60	Round	B-21110-01-L-8	B-21110-01-R-8	B-21110-21-L-8*
	65	Round	B-21110-02-L-8	B-21110-02-R-8	B-21110-22-L-8*
	80	Round	B-21110-03-L-8	B-21110-03-R-8	B-21110-23-L-8*
	100	Round	B-21110-04-L-8	B-21110-04-R-8	B-21110-24-L-8*

B-2111 panic lock with CH-RC hole-type for 2-leaf doors

Faceplate Finish	Backset mm	Faceplate Shape	Faceplate 20 x 3 x 235 mm CH-RC hole-type		Faceplate 24 x 3 x 235 mm CH-RC hole-type
			DIN LH	DIN RH	Non-handed
Satin stainless steel	55	Round	B-21110-10-L-8	B-21110-10-R-8	B-21110-30-L-8*
	60	Round	B-21110-11-L-8	B-21110-11-R-8	B-21110-31-L-8*
	65	Round	B-21110-12-L-8	B-21110-12-R-8	B-21110-32-L-8*
	80	Round	B-21110-13-L-8	B-21110-13-R-8	B-21110-33-L-8*
	100	Round	B-21110-14-L-8	B-21110-14-R-8	B-21110-34-L-8*

***Make 1 out of 8 – and 8 out of 1**

- Reversible latch (non-handed)
- Switchable panic side (outward/inward)
- Adaptable top-locking feature

Additional options (available on request)

Faceplate		Follower	Backset, mm	Special versions	Suitable shoot-bolt lock
Material/Finish	Special faceplate				
–	Exchangeable faceplate	–	–	Lock monitoring	B 2190

B-2112 panic lock for 1-leaf doors

Faceplate Finish	Backset mm	Faceplate Shape	Faceplate 20 x 3 x 235 mm		Faceplate 24 x 3 x 235 mm
			DIN LH	DIN RH	Non-handed
Satin stainless steel	55	Round	B-21120-00-L-8	B-21120-00-R-8	B-21120-20-L-8*
	60	Round	B-21120-01-L-8	B-21120-01-R-8	B-21120-21-L-8*
	65	Round	B-21120-02-L-8	B-21120-02-R-8	B-21120-22-L-8*
	80	Round	B-21120-03-L-8	B-21120-03-R-8	B-21120-23-L-8*
	100	Round	B-21120-04-L-8	B-21120-04-R-8	B-21120-24-L-8*

B-2112 panic lock with CH-RC hole-type for 1-leaf doors

Faceplate Finish	Backset mm	Faceplate Shape	Faceplate 20 x 3 x 235 mm CH-RC hole-type		Faceplate 24 x 3 x 235 mm
			DIN LH	DIN RH	CH-RC hole-type Non-handed
Satin stainless steel	55	Round	B-21120-10-L-8	B-21120-10-R-8	B-21120-30-L-8*
	60	Round	B-21120-11-L-8	B-21120-11-R-8	B-21120-31-L-8*
	65	Round	B-21120-12-L-8	B-21120-12-R-8	B-21120-32-L-8*
	80	Round	B-21120-13-L-8	B-21120-13-R-8	B-21120-33-L-8*
	100	Round	B-21120-14-L-8	B-21120-14-R-8	B-21120-34-L-8*

*Make 1 out of 8 – and 8 out of 1

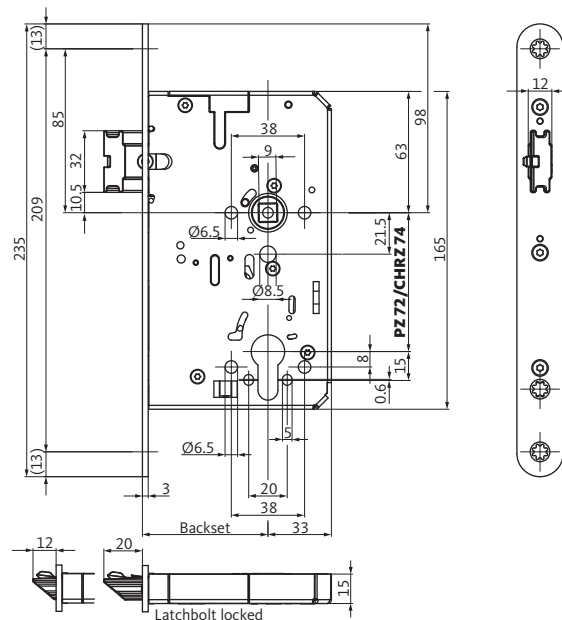
- Reversible latch (non-handed)
- Switchable panic side (outward/inward)
- Adaptable top-locking feature

Additional options (available on request)

Faceplate		Follower	Backset, mm	Special versions	Suitable strikers	
Material/Finish	Special faceplate				DIN LH	DIN RH
–	Exchangeable faceplate	–	–	Lock monitoring	B-90000-55-L-8	B-90000-55-R-8
					B-90000-01-0-8	

B-2113 panic lock

for 2-leaf doors



Functional description

Panic function C

The self-locking panic lock for double-leaf doors with mechanical panic function on the interior lever handle. The door can always be opened towards the outside.

The exterior lever handle is always set to idle. The door can only be opened by operating the key and the lever handle. When the key is removed, the exterior lever handle reverts automatically to idle.

For a detailed functional description see page 487

Product description

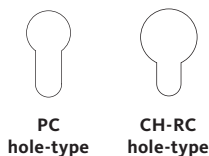
B-2113 panic lock

- Approved for fire rated doors to EN 12209, EN 179 (emergency exits), EN 1125 (panic doors)
- Reversible latchbolt
- Switchable panic side outward/inward
- Satin stainless steel faceplate
- 9 mm split follower
- Automatic latchbolt, 20 mm latch/deadbolt projection in locked position
- 72 mm (PC), 74 mm (CH-RC) hole distance
- Optional with monitoring contacts

Classification code

EN 179										
3	7	7	B	1	3	4	2	A	A	
EN 1125										
3	7	7	B	1	3	2	1/2	A/B	A	
EN 12209										
3	S	3	1	0	C	0	B	B	2	0

Variants



Standards



B-2113 panic lock for 2-leaf doors

Faceplate Finish	Backset mm	Faceplate Shape	Faceplate 20 x 3 x 235 mm		Faceplate 24 x 3 x 235 mm
			DIN LH	DIN RH	Non-handed
Satin stainless steel	55	Round	B-21130-00-L-8	B-21130-00-R-8	B-21130-20-L-8*
	60	Round	B-21130-01-L-8	B-21130-01-R-8	B-21130-21-L-8*
	65	Round	B-21130-02-L-8	B-21130-02-R-8	B-21130-22-L-8*
	80	Round	B-21130-03-L-8	B-21130-03-R-8	B-21130-23-L-8*
	100	Round	B-21130-04-L-8	B-21130-04-R-8	B-21130-24-L-8*

B-2113 panic lock with CH-RC hole-type for 2-leaf doors

Faceplate Finish	Backset mm	Faceplate Shape	Faceplate 20 x 3 x 235 mm CH-RC hole-type		Faceplate 24 x 3 x 235 mm
			DIN LH	DIN RH	CH-RC hole-type Non-handed
Satin stainless steel	55	Round	B-21130-10-L-8	B-21130-10-R-8	B-21130-30-L-8*
	60	Round	B-21130-11-L-8	B-21130-11-R-8	B-21130-31-L-8*
	65	Round	B-21130-12-L-8	B-21130-12-R-8	B-21130-32-L-8*
	80	Round	B-21130-13-L-8	B-21130-13-R-8	B-21130-33-L-8*
	100	Round	B-21130-14-L-8	B-21130-14-R-8	B-21130-34-L-8*

***Make 1 out of 8 – and 8 out of 1**

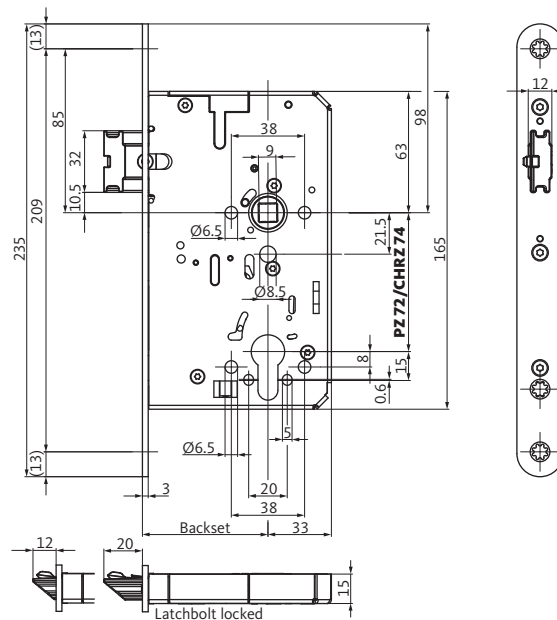
- Reversible latch (non-handed)
- Switchable panic side (outward/inward)
- Adaptable top-locking feature

Additional options (available on request)

Faceplate		Follower	Backset, mm	Special versions	Suitable shoot-bolt lock
Material/Finish	Special faceplate				
–	Exchangeable faceplate	–	–	Lock monitoring	B 2190

B-2116 panic lock

for 1-leaf doors



Functional description

Panic function E

Self-locking panic lock for single-leaf doors with mechanical panic function on the interior lever handle. The door can always be opened towards the outside. Mechanical access from outside using the key (via the latch lever).

For a detailed functional description see page 489

Product description

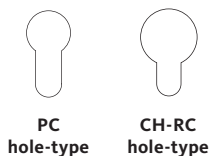
B-2116 panic lock

- Approved for fire rated doors to EN 12209, EN 179 (emergency exits), EN 1125 (panic doors)
- Reversible latchbolt
- Satin stainless steel faceplate
- 9 mm follower
- Automatic latchbolt, 20 mm latch/deadbolt projection in locked position
- With latch lever
- 72 mm (PC), 74 mm (CH-RC) hole distance
- Optional with monitoring contacts

Classification code

EN 179										
3	7	7	B	1	3	4	2	A	B/D	
EN 1125										
3	7	7	B	1	3	2	1/2	A/B	B	
EN 12209										
3	S	3	1	0	C	6	B	B	2	0

Variants



Standards



B-2116 panic lock for 1-leaf doors

Faceplate Finish	Backset mm	Faceplate Shape	Faceplate 20 x 3 x 235 mm		Faceplate 24 x 3 x 235 mm
			DIN LH	DIN RH	Non-handed
Satin stainless steel	55	Round	B-21160-00-L-8	B-21160-00-R-8	B-21160-40-L-8*
	60	Round	B-21160-01-L-8	B-21160-01-R-8	B-21160-41-L-8*
	65	Round	B-21160-02-L-8	B-21160-02-R-8	B-21160-42-L-8*
	80	Round	B-21160-03-L-8	B-21160-03-R-8	B-21160-43-L-8*
	100	Round	B-21160-04-L-8	B-21160-04-R-8	B-21160-44-L-8*

B-2116 panic lock with key-controlled latch holdback for 1-leaf doors

Faceplate Finish	Backset mm	Faceplate Shape	Faceplate 20 x 3 x 235 mm Key-controlled latch holdback		Faceplate 24 x 3 x 235 mm Key-controlled latch holdback
			DIN LH	DIN RH	Non-handed
Satin stainless steel	55	Round	B-21160-05-L-8	B-21160-05-R-8	B-21160-45-L-8*
	60	Round	B-21160-06-L-8	B-21160-06-R-8	B-21160-46-L-8*
	65	Round	B-21160-07-L-8	B-21160-07-R-8	B-21160-47-L-8*
	80	Round	B-21160-08-L-8	B-21160-08-R-8	B-21160-48-L-8*
	100	Round	B-21160-09-L-8	B-21160-09-R-8	B-21160-49-L-8*

B-2116 panic lock with CH-RC hole-type for 1-leaf doors

Faceplate Finish	Backset mm	Faceplate Shape	Faceplate 20 x 3 x 235 mm CH-RC hole-type		Faceplate 24 x 3 x 235 mm CH-RC hole-type
			DIN LH	DIN RH	Non-handed
Satin stainless steel	55	Round	B-21160-20-L-8	B-21160-20-R-8	B-21160-60-L-8*
	60	Round	B-21160-21-L-8	B-21160-21-R-8	B-21160-61-L-8*
	65	Round	B-21160-22-L-8	B-21160-22-R-8	B-21160-62-L-8*
	80	Round	B-21160-23-L-8	B-21160-23-R-8	B-21160-63-L-8*
	100	Round	B-21160-24-L-8	B-21160-24-R-8	B-21160-64-L-8*

***Make 1 out of 4 – and 4 out of 1**

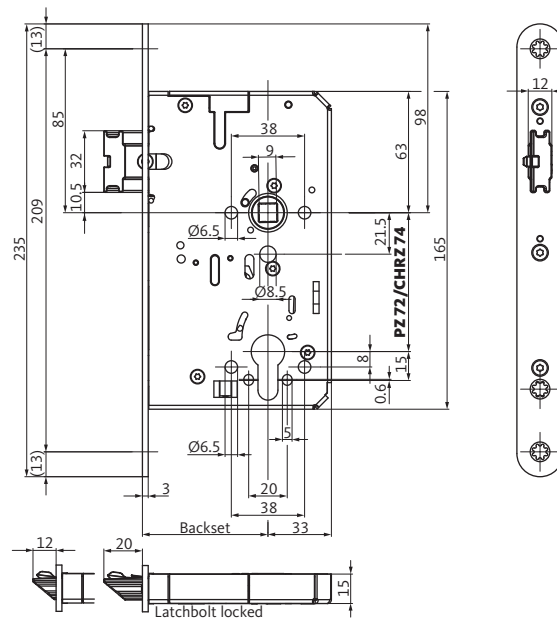
- Reversible latch (non-handed)
- Adaptable top-locking feature

Additional options (available on request)

Faceplate		Follower	Backset, mm	Special versions	Suitable strikers	
Material/Finish	Special faceplate				DIN LH	DIN RH
–	Exchangeable faceplate	–	–	Lock monitoring	B-90000-55-L-8	B-90000-55-R-8
					B-90000-01-0-8	

B-2117 panic lock

for 2-leaf doors



Functional description

Panic function E

The self-locking panic lock for double-leaf doors with mechanical panic function on the interior lever handle. The door can always be opened towards the outside. Mechanical access from outside using the key (via the latch lever).

For a detailed functional description see page 489

Product description

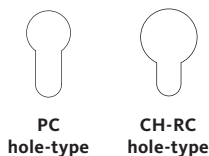
B-2117 panic lock

- Approved for fire rated doors to EN 12209, EN 179 (emergency exits), EN 1125 (panic doors)
- Reversible latchbolt
- Satin stainless steel faceplate
- 9 mm follower
- Automatic latchbolt, 20 mm latch/deadbolt projection in locked position
- With latch lever
- 72 mm (PC), 74 mm (CH-RC) hole distance
- Optional with monitoring contacts

Classification code

EN 179										
3	7	7	B	1	3	4	2	A	A	
EN 1125										
3	7	7	B	1	3	2	1/2	A/B	A	
EN 12209										
3	S	3	1	0	C	0	B	B	2	0

Variants



Standards



B-2117 panic lock for 2-leaf doors

Faceplate Finish	Backset mm	Faceplate Shape	Faceplate 20 x 3 x 235 mm		Faceplate 24 x 3 x 235 mm
			DIN LH	DIN RH	Non-handed
Satin stainless steel	55	Round	B-21170-00-L-8	B-21170-00-R-8	B-21170-40-L-8*
	60	Round	B-21170-01-L-8	B-21170-01-R-8	B-21170-41-L-8*
	65	Round	B-21170-02-L-8	B-21170-02-R-8	B-21170-42-L-8*
	80	Round	B-21170-03-L-8	B-21170-03-R-8	B-21170-43-L-8*
	100	Round	B-21170-04-L-8	B-21170-04-R-8	B-21170-44-L-8*

B-2117 panic lock with key-controlled latch holdback for 2-leaf doors

Faceplate Finish	Backset mm	Faceplate Shape	Faceplate 20 x 3 x 235 mm Key-controlled latch holdback		Faceplate 24 x 3 x 235 mm Key-controlled latch holdback
			DIN LH	DIN RH	Non-handed
Satin stainless steel	55	Round	B-21170-05-L-8	B-21170-05-R-8	B-21170-45-L-8*
	60	Round	B-21170-06-L-8	B-21170-06-R-8	B-21170-46-L-8*
	65	Round	B-21170-07-L-8	B-21170-07-R-8	B-21170-47-L-8*
	80	Round	B-21170-08-L-8	B-21170-08-R-8	B-21170-48-L-8*
	100	Round	B-21170-09-L-8	B-21170-09-R-8	B-21170-49-L-8*

B-2117 panic lock with CH-RC hole-type for 2-leaf doors

Faceplate Finish	Backset mm	Faceplate Shape	Faceplate 20 x 3 x 235 mm CH-RC hole-type		Faceplate 24 x 3 x 235 mm CH-RC hole-type
			DIN LH	DIN RH	Non-handed
Satin stainless steel	55	Round	B-21170-20-L-8	B-21170-20-R-8	B-21170-60-L-8*
	60	Round	B-21170-21-L-8	B-21170-21-R-8	B-21170-61-L-8*
	65	Round	B-21170-22-L-8	B-21170-22-R-8	B-21170-62-L-8*
	80	Round	B-21170-23-L-8	B-21170-23-R-8	B-21170-63-L-8*
	100	Round	B-21170-24-L-8	B-21170-24-R-8	B-21170-64-L-8*

***Make 1 out of 4 – and 4 out of 1**

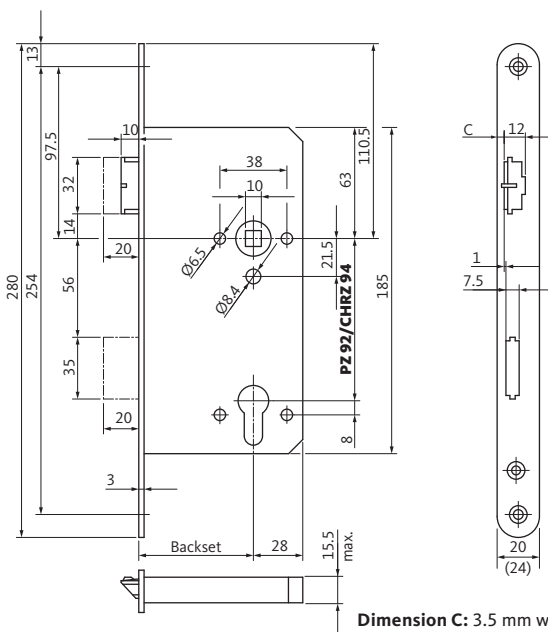
- Reversible latch (non-handed)
- Adaptable top-locking feature

Additional options (available on request)

Faceplate		Follower	Backset, mm	Special versions	Suitable shoot-bolt lock
Material/Finish	Special faceplate				
–	Exchangeable faceplate	–	–	Lock monitoring	B 2190

B 2156 panic lock for front entrance door

for 1-leaf doors



Dimension C: 3.5 mm with 20–24 mm faceplate, 8.5 mm with 28 mm faceplate

Functional description

Panic function E

Panic lock for single-leaf doors with panic function on the interior lever handle. The door can always be opened towards the outside. Mechanical access from outside using the key (via the latch lever).

For a detailed functional description see page 489

Product description

B 2156 panic lock for front entrance door

- Satin stainless steel faceplate
- 10 mm follower
- Automatic latchbolt, 20 mm latch/deadbolt projection in locked position
- Deadbolt, 1-turn (20 mm)
- With latch lever
- 92 mm (PC), 94 mm (CH-RC) hole distance

B-2156 panic lock for front entrance door

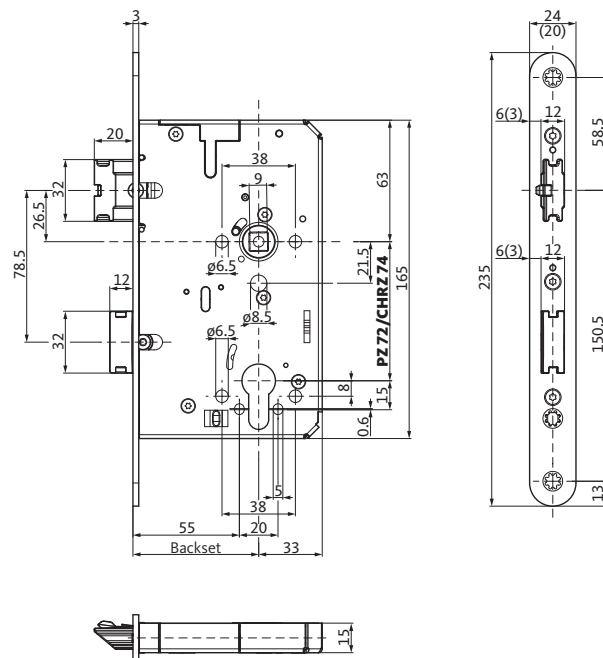
Faceplate Material/Finish	Backset mm	Faceplate Shape	Faceplate 20 x 3 x 280 mm		Faceplate 22 x 3 x 280 mm		Faceplate 24 x 3 x 280 mm		Faceplate 28 x 3 x 280 mm	
			DIN LH	DIN RH	DIN LH	DIN RH	DIN LH	DIN RH	DIN LH	DIN RH
Satin stainless steel	55	Square	B 2156 0009	B 2156 0010	B 2156 0011	B 2156 0012	B 2156 0013	B 2156 0014	B 2156 0015	B 2156 0016
		Round	B 2156 0001	B 2156 0002	B 2156 0003	B 2156 0004	B 2156 0005	B 2156 0006	B 2156 0007	B 2156 0008
	60	Square	B 2156 0025	B 2156 0026	B 2156 0027	B 2156 0028	B 2156 0029	B 2156 0030	B 2156 0031	B 2156 0032
		Round	B 2156 0017	B 2156 0018	B 2156 0019	B 2156 0020	B 2156 0021	B 2156 0022	B 2156 0023	B 2156 0024
	65	Square	B 2156 0041	B 2156 0042	B 2156 0043	B 2156 0044	B 2156 0045	B 2156 0046	B 2156 0047	B 2156 0048
		Round	B 2156 0033	B 2156 0034	B 2156 0035	B 2156 0036	B 2156 0037	B 2156 0038	B 2156 0039	B 2156 0040
	70	Square	B 2156 0057	B 2156 0058	B 2156 0059	B 2156 0060	B 2156 0061	B 2156 0062	B 2156 0063	B 2156 0064
		Round	B 2156 0049	B 2156 0050	B 2156 0051	B 2156 0052	B 2156 0053	B 2156 0054	B 2156 0055	B 2156 0056
	80	Square	B 2156 0073	B 2156 0074	B 2156 0075	B 2156 0076	B 2156 0077	B 2156 0078	B 2156 0079	B 2156 0080
		Round	B 2156 0065	B 2156 0066	B 2156 0067	B 2156 0068	B 2156 0069	B 2156 0070	B 2156 0071	B 2156 0072
	100	Square	B 2156 0089	B 2156 0090	B 2156 0091	B 2156 0092	B 2156 0093	B 2156 0094	B 2156 0095	B 2156 0096
		Round	B 2156 0081	B 2156 0082	B 2156 0083	B 2156 0084	B 2156 0085	B 2156 0086	B 2156 0087	B 2156 0088

Additional options (available on request)

Faceplate		Follower	Backset, mm	Special versions	Suitable strikers	
Material/Finish	Special faceplate				DIN LH	DIN RH
Stainless steel, gold-plated matt	-	-	-	CH-RC hole-type	B-90000-61-L-8	B-90000-61-R-8
					B-90000-05-0-8	

B-2120 electrically-locking panic lock

for 1-leaf doors



Functional description

Panic function B

Self-locking panic lock for single-leaf doors with mechanical panic function on the interior lever handle. The door can always be opened towards the outside. The exterior lever handle can be engaged or disengaged mechanically using the key. For a detailed functional description see page 486

Product description

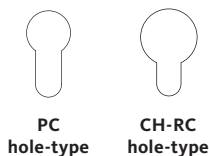
B-2120 electrically-locking panic lock

- Approved for fire rated doors to EN 12209, EN 179 (emergency exits), EN 1125 (panic doors)
- Reversible latchbolt
- Switchable panic side outward/inward
- Satin stainless steel faceplate
- 9 mm split follower
- Automatic latchbolt, 20 mm latch/deadbolt projection in locked position
- Incl. latch for electric escape door strike
- 72 mm (PC), 74 mm (CH-RC) hole distance
- Optional with monitoring contacts

Classification code

EN 179										
3	7	7	B	1	3	4	2	A	B	
EN 1125										
3	7	7	B	1	3	2	1/2	A/B	B	
EN 12209										
3	S	3	1	0	C	6	B	B	2	0

Variants



Standards



B-2120 electrically locking panic lock for 1-leaf doors

Faceplate Finish	Backset mm	Faceplate Shape	Faceplate 20 x 3 x 235 mm		Faceplate 24 x 3 x 235 mm
			DIN LH	DIN RH	Non-handed
Satin stainless steel	55	Round	B-21200-00-L-8	B-21200-00-R-8	B-21200-04-L-8
	60	Round	B-21200-01-L-8	B-21200-01-R-8	B-21200-05-L-8
	65	Round	B-21200-02-L-8	B-21200-02-R-8	B-21200-06-L-8

B-2120 electrically-locking panic lock with monitoring contacts for single-leaf doors

Faceplate Finish	Backset mm	Faceplate Shape	Faceplate 20 x 3 x 235 mm		Faceplate 24 x 3 x 235 mm
			DIN LH	DIN RH	Non-handed
Satin stainless steel	55	Round	B-21200-13-L-8	B-21200-13-R-8	B-21200-16-L-8
	60	Round	B-21200-14-L-8	B-21200-14-R-8	B-21200-17-L-8
	65	Round	B-21200-15-L-8	B-21200-15-R-8	B-21200-18-L-8

Accessories to be ordered separately

Description	Order number	See page
Connecting cable	B 5490 0300	419

Supplementary products (to be ordered separately)

Description	From page
Escape door control unit	452
Electric escape door strike	460

Additional options (available on request)

Faceplate		Follower	Backset mm	Special versions	Suitable strikers	
Material/Finish	Width				DIN LH	DIN RH
-	-	-	-	CH-RC hole-type	B-90000-69-L-8	B-90000-69-R-8
					B-90000-81-L-8	B-90000-81-R-8
					B-90000-85-L-8	B-90000-85-R-8

B-2126 electrically locking panic lock for 1-leaf doors

Faceplate Finish	Backset mm	Faceplate Shape	Faceplate 20 x 3 x 235 mm		Faceplate 24 x 3 x 235 mm
			DIN LH	DIN RH	Non-handed
Satin stainless steel	55	Round	B-21260-00-L-8	B-21260-00-R-8	B-21260-04-L-8
	60	Round	B-21260-01-L-8	B-21260-01-R-8	B-21260-05-L-8
	65	Round	B-21260-02-L-8	B-21260-02-R-8	B-21260-06-L-8

B-2126 electrically-locking panic lock with monitoring contacts for single-leaf doors

Faceplate Finish	Backset mm	Faceplate Shape	Faceplate 20 x 3 x 235 mm		Faceplate 24 x 3 x 235 mm
			DIN LH	DIN RH	Non-handed
Satin stainless steel	55	Round	B-21260-13-L-8	B-21260-13-R-8	B-21260-16-L-8
	60	Round	B-21260-14-L-8	B-21260-14-R-8	B-21260-17-L-8
	65	Round	B-21260-15-L-8	B-21260-15-R-8	B-21260-18-L-8

Accessories to be ordered separately

Description	Order number	See page
Connecting cable	B 5490 0300	419

Supplementary products (to be ordered separately)

Description	From page
Escape door control unit	452
Electric escape door strike	460

Additional options (available on request)

Faceplate		Follower	Backset mm	Special versions	Suitable strikers	
Material/Finish	Width				DIN LH	DIN RH
-	-	-	-	Key-controlled latch holdback CH-RC hole-type	B-90000-69-L-8	B-90000-69-R-8
					B-90000-81-L-8	B-90000-81-R-8
					B-90000-85-L-8	B-90000-85-R-8

B-2170 electrically coupled panic lock for 1-leaf doors

Faceplate Finish	Backset mm	Faceplate Shape	Faceplate 20 x 3 x 235 mm		Faceplate 24 x 3 x 235 mm
			DIN LH	DIN RH	Non-handed
Satin stainless steel	55	Round	B-21700-00-L-8	B-21700-00-R-8	B-21700-01-L-8
	60	Round	B-21700-02-L-8	B-21700-02-R-8	B-21700-03-L-8
	65	Round	B-21700-04-L-8	B-21700-04-R-8	B-21700-06-L-8
	80	Round	B-21700-08-L-8	B-21700-08-R-8	B-21700-10-L-8
	100	Round	-	-	B-21700-12-L-8

The connecting cable B 5490 0300 must be ordered separately.

B-1970 electrically coupled panic lock with CH-RC-hole-type for 1-leaf doors

Faceplate Finish	Backset mm	Faceplate Shape	Faceplate 20 x 3 x 235 mm		Faceplate 24 x 3 x 235 mm
			CH-RC hole-type DIN LH	DIN RH	Non-handed
Satin stainless steel	65	Round	B-21700-05-L-8	B-21700-05-R-8	B-21700-07-L-8
	80	Round	B-21700-09-L-8	B-21700-09-R-8	B-21700-11-L-8

The connecting cable B 5490 0300 must be ordered separately.

B-2171 electrically coupled panic lock for 2-leaf doors

Faceplate Finish	Backset mm	Faceplate Shape	Faceplate 20 x 3 x 235 mm		Faceplate 24 x 3 x 235 mm
			DIN LH	DIN RH	Non-handed
Satin stainless steel	55	Round	B-21710-00-L-8	B-21710-00-R-8	B-21710-01-L-8
	60	Round	B-21710-02-L-8	B-21710-02-R-8	B-21710-03-L-8
	65	Round	B-21710-04-L-8	B-21710-04-R-8	B-21710-06-L-8
	80	Round	B-21710-08-L-8	B-21710-08-R-8	B-21710-09-L-8
	100	Round	B-21710-10-L-8	B-21710-10-R-8	B-21710-11-L-8

The connecting cable B 5490 0300 must be ordered separately.

B-2171 electrically coupled panic lock with CH-RC hole-type for 2-leaf doors

Faceplate Finish	Backset mm	Faceplate Shape	Faceplate 20 x 3 x 235 mm		Faceplate 24 x 3 x 235 mm
			CH-RC hole-type DIN LH	DIN RH	Non-handed
Satin stainless steel	65	Round	B-21710-05-L-8	B-21710-05-R-8	B-21710-07-L-8

The connecting cable B 5490 0300 must be ordered separately.

B-2175 electrically coupled lock for 1-leaf doors

Faceplate Finish	Backset mm	Faceplate Shape	Faceplate 20 x 3 x 235 mm		Faceplate 24 x 3 x 235 mm
			DIN LH	DIN RH	Non-handed
Satin stainless steel	55	Round	B-21750-00-L-8	B-21750-00-R-8	B-21750-01-L-8
	60	Round	B-21750-02-L-8	B-21750-02-R-8	B-21750-03-L-8
	65	Round	B-21750-04-L-8	B-21750-04-R-8	B-21750-05-L-8
	80	Round	B-21750-06-L-8	B-21750-06-R-8	B-21750-07-L-8
	100	Round	B-21750-08-L-8	B-21750-08-R-8	B-21750-09-L-8

The connecting cable B 5490 0300 must be ordered separately.

B-2180 electrically coupled panic lock for 1-leaf doors with top-locking feature

Faceplate Finish	Backset mm	Faceplate Shape	Faceplate 20 x 3 x 285 mm		Faceplate 24 x 3 x 285 mm
			DIN LH	DIN RH	Non-handed
Satin stainless steel	55	Round	B-21800-00-L-8	B-21800-00-R-8	B-21800-01-L-8
	60	Round	B-21800-02-L-8	B-21800-02-R-8	B-21800-03-L-8
	65	Round	B-21800-04-L-8	B-21800-04-R-8	B-21800-05-L-8
	80	Round	B-21800-06-L-8	B-21800-06-R-8	B-21800-07-L-8
	100	Round	-	-	B-21800-09-L-8

The connecting cable B 5490 0300 must be ordered separately.

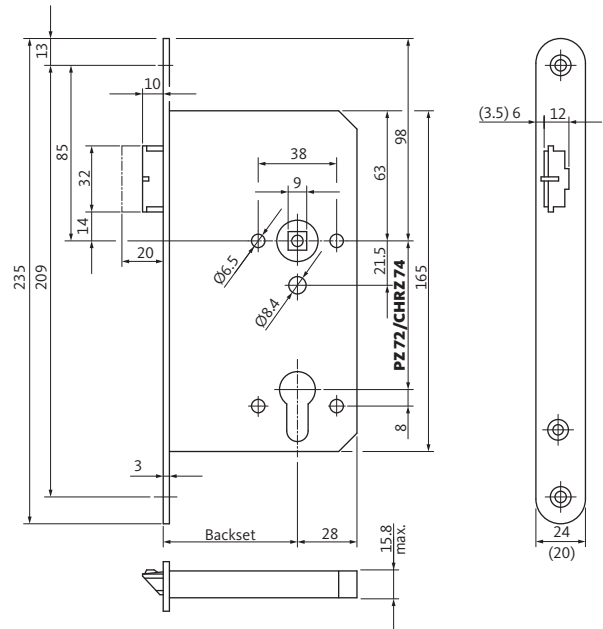
B-2181 electrically coupled panic lock for 2-leaf doors with top-locking feature

Faceplate Finish	Backset mm	Faceplate Shape	Faceplate 20 x 3 x 285 mm		Faceplate 24 x 3 x 285 mm
			DIN LH	DIN RH	Non-handed
Satin stainless steel	55	Round	B-21810-00-L-8	B-21810-00-R-8	B-21810-01-L-8
	65	Round	B-21810-02-L-8	B-21810-02-R-8	B-21810-03-L-8
	80	Round	B-21810-04-L-8	B-21810-04-R-8	B-21810-05-L-8
	100	Round	-	-	B-21810-06-L-8

The connecting cable B 5490 0300 must be ordered separately.

B 2170 electrically coupled radio battery lock

for 1-leaf doors



Functional description

Panic function C

The self-locking electrically coupled radio battery lock for single-leaf doors with mechanical panic function on the interior lever handle. The door can always be opened towards the outside. The exterior lever handle is electrically coupled, i.e. access can be controlled electrically.

For a detailed functional description see page 487

Product description

B 2170 electrically coupled radio battery lock

- Approved to EN 179 (emergency exits), EN 1125 (panic doors) and EN 14846
- VDS C
- Satin stainless steel faceplate
- 9 mm split follower
- Automatic latchbolt, 20 mm latch/deadbolt projection in locked position
- 72 mm (PC), 74 mm (CH-RC) hole distance
- Incl. battery (B 5528 0900)

Classification code

EN 179

3	7	7	B	1	3	4	2	A
---	---	---	---	---	---	---	---	---

EN 1125

3	7	7	B	1	3	2	1/2	A/B
---	---	---	---	---	---	---	-----	-----

EN 14846

3	S	3	E	0	0	4	0	0
---	---	---	---	---	---	---	---	---

Variants



PC
hole-type



CH-RC
hole-type

Standards



B 2170 electrically coupled radio battery lock for 1-leaf doors

Faceplate Finish	Backset mm	Faceplate Shape	Faceplate 20 x 3 x 235 mm		Faceplate 24 x 3 x 235 mm	
			DIN LH	DIN RH	DIN LH	DIN RH
Satin stainless steel	55	Round	B 2170 8003	B 2170 8004	B 2170 8005	B 2170 8006
	60	Round	B 2170 8021	B 2170 8022	B 2170 8023	B 2170 8024
	65	Round	B 2170 8027	B 2170 8028	B 2170 8029	B 2170 8030
	80	Round	B 2170 8039	B 2170 8040	B 2170 8041	B 2170 8042

B 2170 electrically coupled radio battery lock for 1-leaf doors

Faceplate Finish	Backset mm	Faceplate Shape	Faceplate 20 x 3 x 235 mm		Faceplate 24 x 3 x 235 mm	
			Inward DIN LH	DIN RH	Inward DIN LH	DIN RH
Satin stainless steel	55	Round	B 2170 8051	B 2170 8052	B 2170 8053	B 2170 8054
	60	Round	B 2170 8063	B 2170 8064	B 2170 8071	B 2170 8072
	65	Round	B 2170 8075	B 2170 8076	B 2170 8077	B 2170 8078
	80	Round	B 2170 8087	B 2170 8088	B 2170 8095	B 2170 8096

B 2170 electrically coupled radio battery lock with CH-RC hole-type for 1-leaf doors

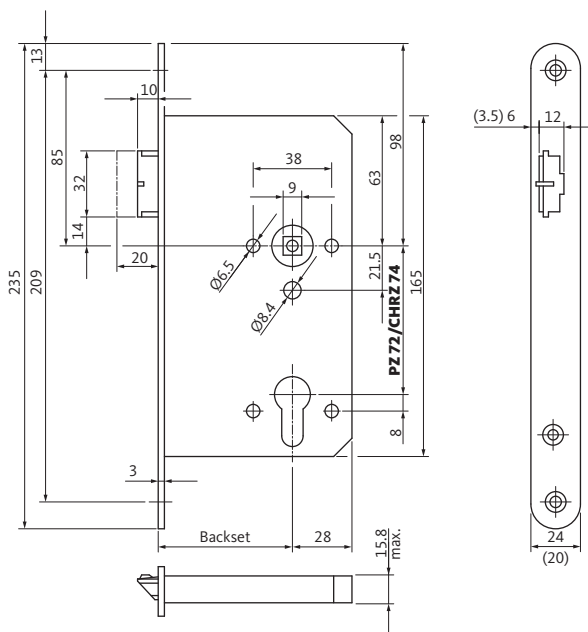
Faceplate Finish	Backset mm	Faceplate Shape	Faceplate 20 x 3 x 235 mm		Faceplate 24 x 3 x 235 mm	
			CH-RC hole-type DIN LH	DIN RH	CH-RC hole-type DIN LH	DIN RH
Satin stainless steel	65	Round	B 2170 8123	B 2170 8124	B 2170 8125	B 2170 8126

Additional options (available on request)

Faceplate		Follower	Backset, mm	Special versions	Suitable strikers	
Material/Finish	Shape				DIN LH	DIN RH
-	-	-	-	-	B-90000-55-L-8	B-90000-55-R-8
					B-90000-01-0-8	

B 2171 electrically coupled radio battery lock

for 2-leaf doors



Functional description

Panic function C

The self-locking electrically coupled radio battery lock for double-leaf doors with mechanical panic function on the interior lever handle. The door can always be opened towards the outside. The exterior lever handle is electrically coupled, i.e. access can be controlled electrically.

For a detailed functional description see page 487

Product description

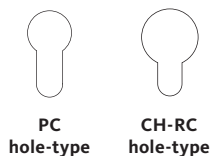
B 2171 electrically coupled radio battery lock

- Approved to EN 179 (emergency exits), EN 1125 (panic doors) and EN 14846
- VDS C
- Satin stainless steel faceplate
- 9 mm split follower
- Automatic latchbolt, 20 mm latch/deadbolt projection in locked position
- 72 mm (PC), 74 mm (CH-RC) hole distance
- Incl. battery (B 5528 0900)

Classification code

EN 179								
3	7	7	B	1	3	4	2	A
EN 1125								
3	7	7	B	1	3	2	1/2	A/B
EN 14846								
3	S	3	E	0	0	0	0	0

Variants



Standards



B 2171 electrically coupled radio battery lock for double leaf doors

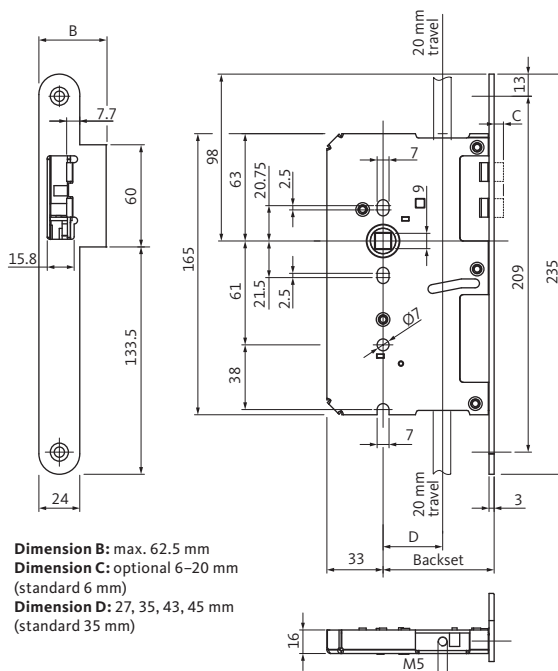
Faceplate Finish	Backset mm	Faceplate Shape	Faceplate 20 x 3 x 235 mm		Faceplate 24 x 3 x 235 mm	
			DIN LH	DIN RH	DIN LH	DIN RH
Satin stainless steel	55	Round	B 2171 8003	B 2171 8004	B 2171 8005	B 2171 8006
	65	Round	B 2171 8027	B 2171 8028	B 2171 8029	B 2171 8030
	80	Round	B 2171 8039	B 2171 8040	B 2171 8041	B 2171 8042

Additional options (available on request)

Faceplate		Follower	Backset mm	Special versions	Suitable shoot-bolt lock
Material/Finish	Width				
-	-	-	-	CH-RC hole-type	B 2189

B 2189 shoot-bolt lock

for automatic locking



Functional description

When the passive leaf is closed, automatic locking of vertical rods 9036 at the top and bottom is triggered by passive-leaf control lock B 1895.

When unlocking, the vertical rods are retracted into the passive leaf by operating the vertical lever or panic push bar which simultaneously pushes the latchbolt back into the lock of the active leaf.

Product description

B 2189 shoot-bolt lock

- Approved to EN 179 (emergency exits), EN 1125 (panic doors)
- Satin stainless steel faceplate
- 9 mm follower

Classification code

EN 179

3	7	7	B	1	3	4	2	A	C
---	---	---	---	---	---	---	---	---	---

EN 1125

3	7	7	B	1	3	2	1/2	A/B	C
---	---	---	---	---	---	---	-----	-----	---

Standards



B 2189 shoot-bolt lock

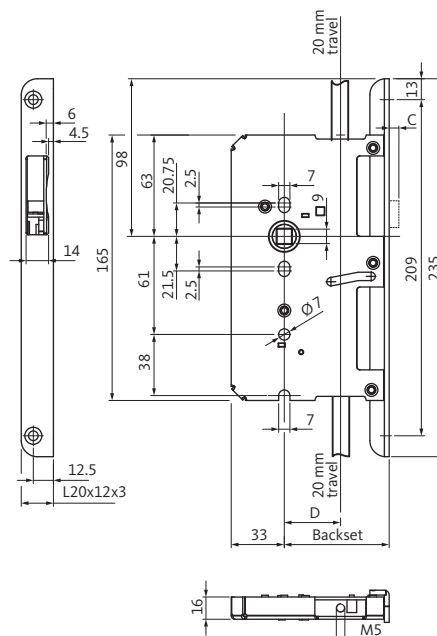
Faceplate Finish	Backset mm	Faceplate Shape	Lipped faceplate dim. B = 34 mm	
			DIN LH	DIN RH
Satin stainless steel	65	Round	B 2189 0001	B 2189 0000
	80	Round	B 2189 0003	B 2189 0002
	100	Round	B 2189 0005	B 2189 0004

Additional options (available on request)

Faceplate		Follower	Backset mm	Special versions	Suitable locks	
Material/Finish	Width				B 2111 SECURITY	B 2171 SECURITY
-	-	-	-	-	B 2113 SECURITY	
					B 2119 SECURITY	

B 2189 shoot-bolt lock

for automatic locking



Dimension C: optional 6–20 mm (standard 6 mm)
Dimension D: 27, 35, 43, 45 mm (standard 35 mm)

Functional description

When the passive leaf is closed, automatic locking of vertical rods 9036 at the top and bottom is triggered by passive-leaf control lock B 1895.

When unlocking, the vertical rods are retracted into the passive leaf by operating the vertical lever or panic push bar which simultaneously pushes the latchbolt back into the lock of the active leaf.

Product description

B 2189 shoot-bolt lock

- Approved to EN 179 (emergency exits), EN 1125 (panic doors)
- Satin stainless steel faceplate
- 9 mm follower

Classification code

EN 179

3	7	7	B	1	3	4	2	A	C
---	---	---	---	---	---	---	---	---	---

EN 1125

3	7	7	B	1	3	2	1/2	A/B	C
---	---	---	---	---	---	---	-----	-----	---

Standards



B 2189 shoot-bolt lock

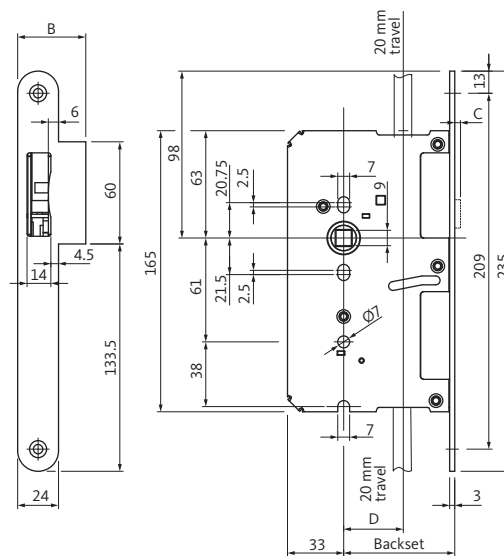
Faceplate Finish	Backset mm	Faceplate Shape	Angled faceplate 20 x 12 x 235 mm	
			DIN LH	DIN RH
Satin stainless steel	65	Round	B 2189 0009	B 2189 0008
	80	Round	B 2189 0011	B 2189 0010
	100	Round	B 2189 0013	B 2189 0012

Additional options (available on request)

Faceplate		Follower	Backset mm	Special versions	Suitable locks	
Material/Finish	Width				B 2111 SECURITY	B 2171 SECURITY
-	-	-	-	-	B 2113 SECURITY	
					B 2119 SECURITY	

B 2190 shoot-bolt lock

for automatic locking



Dimension B: max. 62.5 mm
Dimension C: optional 3.5–20 mm (standard 3.5 mm)
Dimension D: 27, 35, 43, 45 mm (standard 35 mm)

Functional description

When the passive leaf is closed, automatic locking of vertical rods at the top and bottom is triggered by passive-leaf control lock B 1895. When unlocking, the vertical rods are retracted into the passive leaf by operating the vertical lever or panic push bar which simultaneously pushes the latchbolt back into the lock of the active leaf.

Product description

B 2190 shoot-bolt lock

- Approved to EN 179 (emergency exits), EN 1125 (panic doors)
- Satin stainless steel faceplate
- 9 mm follower

Classification code

EN 179

3	7	7	B	1	3	4	2	A	C
---	---	---	---	---	---	---	---	---	---

EN 1125

3	7	7	B	1	3	2	1/2	A/B	C
---	---	---	---	---	---	---	-----	-----	---

Standards



B 2190 shoot-bolt lock

Faceplate Finish	Backset mm	Faceplate Shape	Flat faceplate 24 x 3 x 235 mm		Lipped faceplate dim. B = 36 mm	
			DIN LH	DIN RH	DIN LH	DIN RH
Satin stainless steel	65	Round	B 2190 1001	B 2190 1000	B 2190 1007	B 2190 1006
	80	Round	B 2190 1003	B 2190 1002	B 2190 1009	B 2190 1008
	100	Round	B 2190 1005	B 2190 1004	B 2190 1011	B 2190 1010

B 2190 shoot-bolt lock for use with B 2598 remote lock

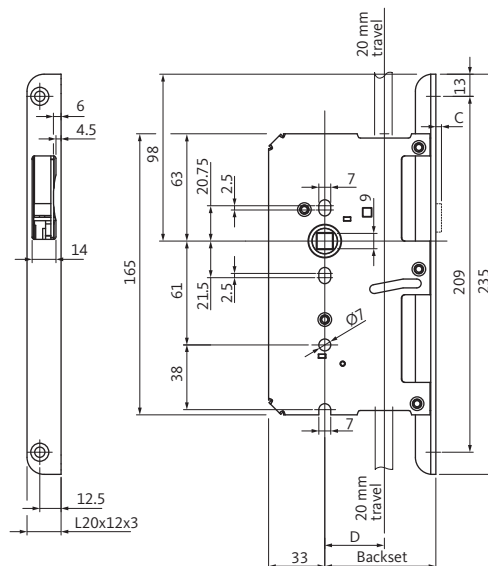
Faceplate Finish	Backset mm	Faceplate Shape	Flat faceplate 24 x 3 x 235 mm		Lipped faceplate dim. B = 36 mm	
			DIN LH	DIN RH	DIN LH	DIN RH
Satin stainless steel	65	Round	B 2190 1201	B 2190 1200	B 2190 1207	B 2190 1206
	80	Round	B 2190 1203	B 2190 1202	B 2190 1209	B 2190 1208
	100	Round	B 2190 1205	B 2190 1204	B 2190 1211	B 2190 1210

Additional options (available on request)

Faceplate		Follower	Backset mm	Special versions	Suitable locks	
Material/Finish	Width				DIN LH	DIN RH
-	-	-	-	-	B-2101	B-2111
					B-2103	B-2113
					B-2107	B-2117

B 2190 shoot-bolt lock

for automatic locking



Dimension C: optional 3.5–20 mm (standard 3.5 mm)

Dimension D: 27, 35, 43, 45 mm (standard 35 mm)

Functional description

When the passive leaf is closed, automatic locking of vertical rods at the top and bottom is triggered by passive-leaf control lock B 1895. When unlocking, the vertical rods are retracted into the passive leaf by operating the vertical lever or panic push bar which simultaneously pushes the latchbolt back into the lock of the active leaf.

Product description

B 2190 shoot-bolt lock

- Approved to EN 179 (emergency exits), EN 1125 (panic doors)
- Satin stainless steel faceplate
- 9 mm follower

Classification code

EN 179

3	7	7	B	1	3	4	2	A	C
---	---	---	---	---	---	---	---	---	---

EN 1125

3	7	7	B	1	3	2	1/2	A/B	C
---	---	---	---	---	---	---	-----	-----	---

Standards



B 2190 shoot-bolt lock

Faceplate Finish	Backset mm	Faceplate Shape	Angled faceplate 20 x 12 x 235 mm	
			DIN LH	DIN RH
Satin stainless steel	65	Round	B 2190 1013	B 2190 1012
	80	Round	B 2190 1015	B 2190 1014
	100	Round	B 2190 1017	B 2190 1016

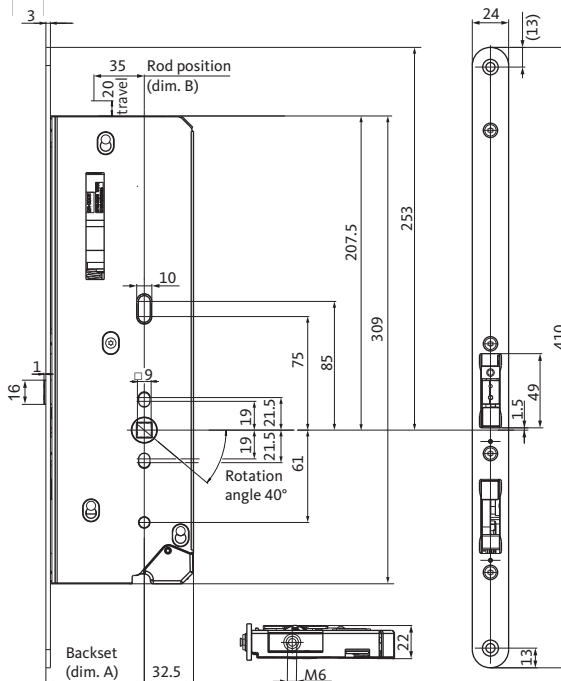
B 2190 shoot-bolt lock for use with B 2598 remote lock

Faceplate Finish	Backset mm	Faceplate Shape	Angled faceplate 20 x 12 x 235 mm	
			DIN LH	DIN RH
Satin stainless steel	65	Round	B 2190 1213	B 2190 1212
	80	Round	B 2190 1215	B 2190 1214
	100	Round	B 2190 1217	B 2190 1216

Additional options (available on request)

Faceplate		Follower	Backset mm	Special versions	Suitable locks	
Material/Finish	Width				B-2101	B-2111
-	-	-	-	-	B-2103	B-2113
					B-2107	B-2117

B-2193 motor-driven shoot-bolt lock



Functional description

The motor-driven shoot-bolt lock for the passive leaf of double-leaf doors can be opened manually, but also electrically in conjunction e.g. with a swing-door drive via a separate control unit. A motor lock on the active leaf is not necessary, as the active leaf can be opened independently of the passive leaf.

Product description

B-2193 motor-driven shoot-bolt lock

- Approved to EN 179 (emergency exits), EN 1125 (panic doors) and EN 14846
- Satin stainless steel faceplate
- 9 mm follower
- Incl. latch and deadbolt monitoring contact
- Operating voltage 24 V DC

Classification code

EN 179

3	7	7	B	1	3	4	2	A	C
---	---	---	---	---	---	---	---	---	---

EN 1125

3	7	7	B	1	3	2	1/2	A/B	C
---	---	---	---	---	---	---	-----	-----	---

Standards



B-2193 motor-driven shoot-bolt lock

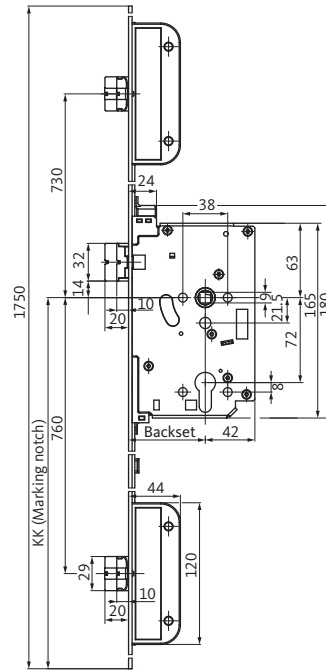
Faceplate Finish	Backset mm	Faceplate Shape	Faceplate 24 x 3 x 410 mm Non-handed	Lipped faceplate 24/36 x 3 x 410 mm	
				DIN LH	DIN RH
Satin stainless steel	65	Round	B-21930-00-0-8	B-21930-00-L-8	B-21930-00-R-8
	80	Round	B-21930-01-0-8	B-21930-01-L-8	B-21930-01-R-8
	100	Round	B-21930-02-0-8	B-21930-02-L-8	B-21930-02-R-8

Accessories to be ordered separately

Description	Order number	See page
Control unit for motor-driven lock	B-54900-01-2-8	410
SHEV control unit for motor-driven locks (for SHEV systems)	B-54900-02-4-9	410
Connecting cable	B 5490 0300	419
Power supply unit (24 V DC/4.2 A)	B 5570 0401	463
Emergency power buffer for fire protection doors	B-54903-23-3-9	410
Top-hat rail casing for control unit, emergency power buffer, power supply unit	B 5495 0251	410

SECURY 2178 EK

for single-leaf doors (fail-safe or fail-secure)



Functional description

Panic function C

Self-locking electrically coupled lock for 1-leaf doors. The interior and exterior lever handle is electrically coupled, i.e. access or exit can be controlled electrically.

For a detailed functional description see page 487

Product description

SECURY 2178 EK

- Approved to EN 14846
- Satin stainless steel faceplate
- 9 mm split follower
- Triple automatic latchbolt, 20 mm latch/deadbolt projection in locked position
- 72 mm (PC), 74 mm (CH-RC) hole distance
- Integral control unit
- 12–24 V DC

Standards



SECURY 2178 EK – fail-secure

Faceplate Finish	Backset mm	Faceplate Shape	Faceplate 24 x 3 x 1750 mm	
			DIN LH	DIN RH
Satin stainless steel	65	Round	6-39079-01-L-8	6-39079-01-R-8

Including B 5490 0300 connecting cable

SECURY 2178 EK – fail-safe

Faceplate Finish	Backset mm	Faceplate Shape	Faceplate 24 x 3 x 1750 mm	
			DIN LH	DIN RH
Satin stainless steel	55	Round	6-39078-02-L-8	6-39078-02-R-8
	65	Round	6-39078-01-L-8	6-39078-01-R-8

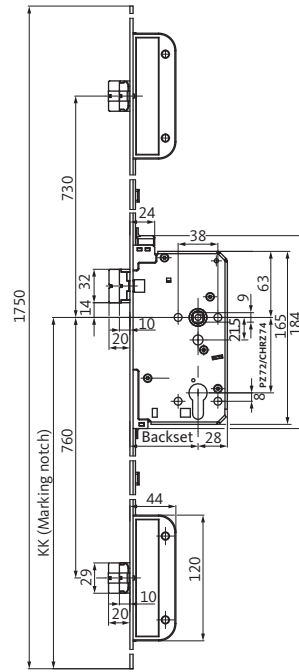
Including B 5490 0300 connecting cable

Additional options (available on request)

Faceplate		Follower	Backset mm	Special versions	Suitable strikers
Material/Finish	Width				
-	-	-	-	-	B 9000
					9-38551-xx-x-x
					6-30863-xx-x-x

SECURY 2110

for 1-leaf doors



Functional description

Panic function B

Self-locking panic lock for single-leaf doors with mechanical panic function on the interior lever handle. The door can always be opened towards the outside. The exterior lever handle can be engaged or disengaged mechanically using the key. For a detailed functional description see page 486

Product description

SECURY 2110

- Approved to EN 179 (emergency exits), EN 1125 (panic doors)
- Satin stainless steel faceplate
- 9 mm split follower
- Triple automatic latchbolt, 20 mm latch/deadbolt projection in locked position
- 72 mm (PC), 74 mm (CH-RC) hole distance

Classification code

EN 179

3	7	7	B	1	3	4	2	A	B/D
---	---	---	---	---	---	---	---	---	-----

EN 1125

3	7	7	B	1	3	2	1/2	A/B	B
---	---	---	---	---	---	---	-----	-----	---

Variants



PC
hole-type



CH-RC
hole-type

Standards



SECURY 2110 for 1-leaf doors

Faceplate Finish	Backset mm	Faceplate Shape	Faceplate 20 x 3 x 1750 mm		Faceplate 24 x 3 x 1750 mm	
			DIN LH	DIN RH	DIN LH	DIN RH
Satin stainless steel	55	Round	6-38725-03-L-8	6-38725-03-R-8	6-38725-06-L-8	6-38725-06-R-8
	65	Round	6-38725-01-L-8	6-38725-01-R-8	6-38725-07-L-8	6-38725-07-R-8
	80	Round	6-38725-04-L-8	6-38725-04-R-8	6-38725-08-L-8	6-38725-08-R-8

Accessories to be ordered separately

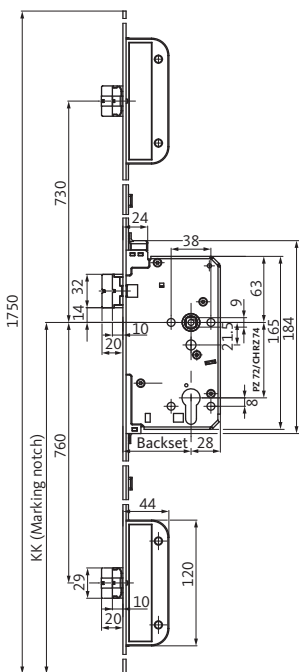
Description	Order number	See page
A-opener kit (including 6 m connecting cable)	K-18153-01-0-0	419

Additional options (available on request)

Faceplate		Follower	Backset mm	Special versions	Suitable strikers
Material/Finish	Width				
-	-	-	-	Panic function inward CH-RC hole-type	B 9000 9-38551-xx-x-x 6-30863-xx-x-x

SECURY 2111

for 2-leaf doors



Functional description

Panic function B

The self-locking panic lock for double-leaf doors with mechanical panic function on the interior lever handle. The door can always be opened towards the outside. The exterior lever handle can be engaged or disengaged mechanically using the key. For a detailed functional description see page 486

Product description

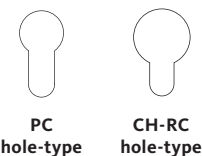
SECURY 2111

- Approved to EN 179 (emergency exits), EN 1125 (panic doors)
- Satin stainless steel faceplate
- 9 mm split follower
- Triple automatic latchbolt, 20 mm latch/deadbolt projection in locked position
- 72 mm (PC), 74 mm (CH-RC) hole distance

Classification code

EN 179									
3	7	7	B	1	3	4	2	A	A
EN 1125									
3	7	7	B	1	3	2	1/2	A/B	A

Variants



Standards



SECURY 2111 for 2-leaf doors

Faceplate Finish	Backset mm	Faceplate Shape	Faceplate 20 x 3 x 1750 mm		Faceplate 24 x 3 x 1750 mm	
			DIN LH	DIN RH	DIN LH	DIN RH
Satin stainless steel	55	Round	6-38725-09-L-8	6-38725-09-R-8	6-38725-12-L-8	6-38725-12-R-8
	65	Round	6-38725-02-L-8	6-38725-02-R-8	6-38725-13-L-8	6-38725-13-R-8
	80	Round	6-38725-10-L-8	6-38725-10-R-8	6-38725-14-L-8	6-38725-14-R-8

Accessories to be ordered separately

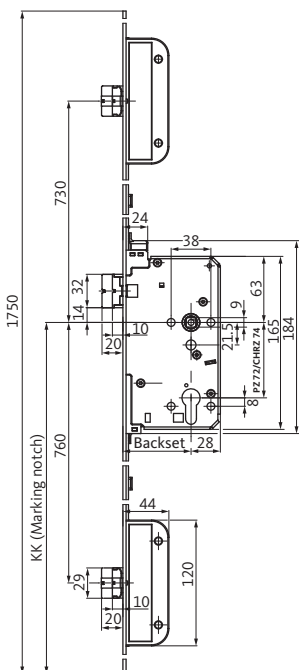
Description	Order number	See page
A-opener kit (including 6 m connecting cable)	K-18153-01-0-0	419

Additional options (available on request)

Faceplate		Follower	Backset mm	Special versions	Suitable shoot-bolt lock
Material/Finish	Width				
-	-	-	-	Panic function inward CH-RC hole-type	B 2189

SECURY 2112

for 1-leaf doors



Functional description

Panic function C

Self-locking panic lock for single-leaf doors with mechanical panic function on the interior lever handle. The door can always be opened towards the outside.

The exterior lever handle is always set to idle. The door can only be opened by operating the key and the lever handle. When the key is removed, the exterior lever handle reverts automatically to idle.

For a detailed functional description see page 487

Product description

SECURY 2112

- Approved to EN 179 (emergency exits), EN 1125 (panic doors)
- Satin stainless steel faceplate
- 9 mm split follower
- Triple automatic latchbolt, 20 mm latch/deadbolt projection in locked position
- 72 mm (PC), 74 mm (CH-RC) hole distance

Classification code

EN 179

3	7	7	B	1	3	4	2	A	B/D
---	---	---	---	---	---	---	---	---	-----

EN 1125

3	7	7	B	1	3	2	1/2	A/B	B
---	---	---	---	---	---	---	-----	-----	---

Variants



PC
hole-type



CH-RC
hole-type

Standards



2112 SECURY for 1-leaf doors

Faceplate Finish	Backset mm	Faceplate Shape	Faceplate 20 x 3 x 1750 mm		Faceplate 24 x 3 x 1750 mm	
			DIN LH	DIN RH	DIN LH	DIN RH
Satin stainless steel	55	Round	6-39008-02-L-8	6-39008-02-R-8	6-39008-05-L-8	6-39008-05-R-8
	65	Round	6-39008-03-L-8	6-39008-03-R-8	6-39008-06-L-8	6-39008-06-R-8
	80	Round	6-39008-04-L-8	6-39008-04-R-8	6-39008-07-L-8	6-39008-07-R-8

Accessories to be ordered separately

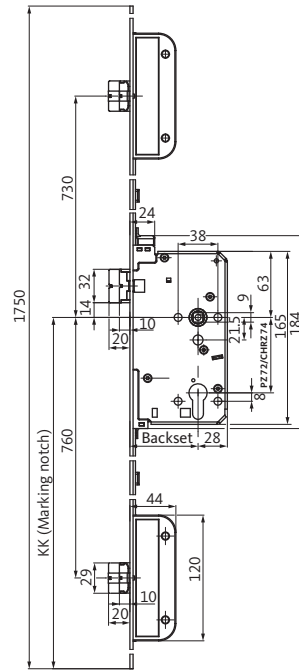
Description	Order number	See page
A-opener kit (including 6 m connecting cable)	K-18153-01-0-0	419

Additional options (available on request)

Faceplate		Follower	Backset mm	Special versions	Suitable strikers
Material/Finish	Width				
-	-	-	-	Panic function inward CH-RC hole-type	B 9000 9-38551-xx-x-x 6-30863-xx-x-x

SECURY 2113

for 2-leaf doors



Functional description

Panic function C

The self-locking panic lock for double-leaf doors with mechanical panic function on the interior lever handle. The door can always be opened towards the outside.

The exterior lever handle is always set to idle. The door can only be opened by operating the key and the lever handle. When the key is removed, the exterior lever handle reverts automatically to idle.

For a detailed functional description see page 487

Product description

SECURY 2113

- Approved to EN 179 (emergency exits), EN 1125 (panic doors)
- Satin stainless steel faceplate
- 9 mm split follower
- Triple automatic latchbolt, 20 mm latch/deadbolt projection in locked position
- 72 mm (PC), 74 mm (CH-RC) hole distance

Classification code

EN 179

3	7	7	B	1	3	4	2	A	A
---	---	---	---	---	---	---	---	---	---

EN 1125

3	7	7	B	1	3	2	1/2	A/B	A
---	---	---	---	---	---	---	-----	-----	---

Variants



PC hole-type



CH-RC hole-type

Standards



SECURY 2113 for 2-leaf doors

Faceplate Finish	Backset mm	Faceplate Shape	Faceplate 20 x 3 x 1750 mm		Faceplate 24 x 3 x 1750 mm	
			DIN LH	DIN RH	DIN LH	DIN RH
Satin stainless steel	55	Round	6-39008-08-L-8	6-39008-08-R-8	6-39008-11-L-8	6-39008-11-R-8
	65	Round	6-39008-09-L-8	6-39008-09-R-8	6-39008-12-L-8	6-39008-12-R-8
	80	Round	6-39008-10-L-8	6-39008-10-R-8	6-39008-13-L-8	6-39008-13-R-8

Accessories to be ordered separately

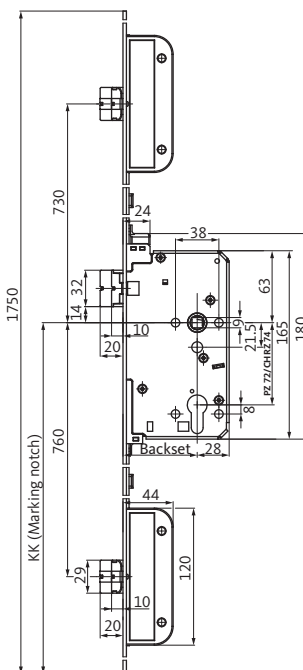
Description	Order number	See page
A-opener kit (including 6 m connecting cable)	K-18153-01-0-0	419

Additional options (available on request)

Faceplate		Follower	Backset mm	Special versions	Suitable shoot-bolt lock
Material/Finish	Width				
-	-	-	-	Panic function inward CH-RC hole-type	B 2189

SECURY 2116

for 1-leaf doors



Functional description

Panic function E

Self-locking panic lock for single-leaf doors with mechanical panic function on the interior lever handle. The door can always be opened towards the outside. Mechanical access from outside using the key (via the latch lever).

For a detailed functional description see page 489

Product description

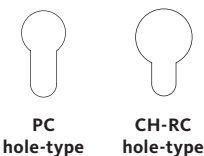
SECURY 2116

- Approved to EN 179 (emergency exits), EN 1125 (panic doors)
- Satin stainless steel faceplate
- 9 mm follower
- Triple automatic latchbolt, 20 mm latch/deadbolt projection in locked position
- With latch lever
- 72 mm (PC), 74 mm (CH-RC) hole distance
- Optional with monitoring contacts (2116 S)

Classification code

EN 179									
3	7	7	B	1	3	4	2	A	B
EN 1125									
3	7	7	B	1	3	2	1/2	A/B	B

Variants



Standards



SECURY 2116 for 1-leaf doors

Faceplate Finish	Backset mm	Faceplate Shape	Faceplate 20 x 3 x 1750 mm		Faceplate 24 x 3 x 1750 mm	
			DIN LH	DIN RH	DIN LH	DIN RH
Satin stainless steel	55	Round	6-38724-03-L-8	6-38724-03-R-8	6-38724-06-L-8	6-38724-06-R-8
	65	Round	6-38724-01-L-8	6-38724-01-R-8	6-38724-07-L-8	6-38724-07-R-8
	80	Round	6-38724-04-L-8	6-38724-04-R-8	6-38724-08-L-8	6-38724-08-R-8

SECURY 2116 S with monitoring contacts, for 1-leaf doors

Faceplate Finish	Backset mm	Faceplate Shape	Faceplate 20 x 3 x 1750 mm		Faceplate 24 x 3 x 1750 mm	
			DIN LH	DIN RH	DIN LH	DIN RH
Satin stainless steel	65	Round	6-38692-02-L-8	6-38692-02-R-8	6-38692-03-L-8	6-38692-03-R-8

Including B 5490 0001 connecting cable

Accessories to be ordered separately

Description	Order number	See page
A-opener kit (including 6 m connecting cable)	K-18153-01-0-0	419

Additional options (available on request)

Faceplate		Follower	Backset mm	Special versions	Suitable strikers
Material/Finish	Width				
-	-	-	-	CH-RC hole-type	B 9000
					9-38551-xx-x-x
					6-30863-xx-x-x

SECURY 2119 for 2-leaf doors

Faceplate Finish	Backset mm	Faceplate Shape	Faceplate 20 x 3 x 1750 mm		Faceplate 24 x 3 x 1750 mm	
			DIN LH	DIN RH	DIN LH	DIN RH
Satin stainless steel	55	Round	6-38724-09-L-8	6-38724-09-R-8	6-38724-12-L-8	6-38724-12-R-8
	65	Round	6-38724-02-L-8	6-38724-02-R-8	6-38724-13-L-8	6-38724-13-R-8
	80	Round	6-38724-10-L-8	6-38724-10-R-8	6-38724-14-L-8	6-38724-14-R-8

SECURY 2119 S with monitoring contacts, for 2-leaf doors

Faceplate Finish	Backset mm	Faceplate Shape	Faceplate 20 x 3 x 1750 mm		Faceplate 24 x 3 x 1750 mm	
			DIN LH	DIN RH	DIN LH	DIN RH
Satin stainless steel	65	Round	6-38692-04-L-8	6-38692-04-R-8	6-38692-05-L-8	6-38692-05-R-8

Including B 5490 0001 connecting cable

Accessories to be ordered separately

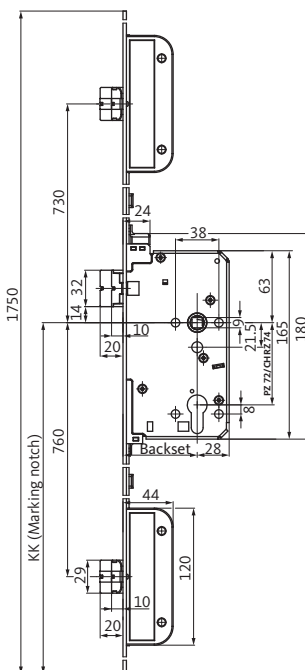
Description	Order number	See page
A-opener kit (including 6 m connecting cable)	K-18153-01-0-0	419

Additional options (available on request)

Faceplate		Follower	Backset mm	Special versions	Suitable shoot-bolt lock
Material/Finish	Width				
-	-	-	-	CH-RC hole-type	B 2189

SECURY 2166

with key-controlled latch holdback for 1-leaf doors



Functional description

Panic function E

Self-locking panic lock for single-leaf doors with mechanical panic function on the interior lever handle. The door can always be opened towards the outside. Mechanical access from outside using the key (via the latch lever).

For a detailed functional description see page 489

Key-controlled latch holdback

Use the key to hold the three latchbolts.

Product description

SECURY 2166

- Approved to EN 179 (emergency exits), EN 1125 (panic doors)
- Satin stainless steel faceplate
- 9 mm follower
- Triple automatic latchbolt, 20 mm latch/deadbolt projection in locked position
- With latch lever
- 72 mm (PC), 74 mm (CH-RC) hole distance

Classification code

EN 179

3	7	7	0	1	3	4	2	A	B
---	---	---	---	---	---	---	---	---	---

EN 1125

3	7	7	0	1	3	2	1/2	A/B	B
---	---	---	---	---	---	---	-----	-----	---

Variants



PC hole-type



CH-RC hole-type

Standards



SECURY 2166 with key-controlled latch holdback for 1-leaf doors

Faceplate Finish	Backset mm	Faceplate Shape	Faceplate 20 x 3 x 1750 mm		Faceplate 24 x 3 x 1750 mm	
			DIN LH	DIN RH	DIN LH	DIN RH
Satin stainless steel	65	Round	6-37870-07-L-8	6-37870-07-R-8	6-37870-08-L-8	6-37870-08-R-8
	80	Round	6-37870-15-L-8	6-37870-15-R-8	6-37870-06-L-8	6-37870-06-R-8

Accessories to be ordered separately

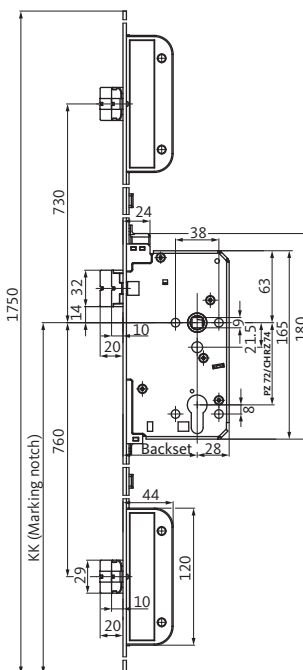
Description	Order number	See page
A-opener kit (including 6 m connecting cable)	K-18153-01-0-0	419

Additional options (available on request)

Faceplate		Follower	Backset mm	Special versions	Suitable strikers
Material/Finish	Width				
-	-	-	-	CH-RC hole-type	B 9000
					9-38551-xx-x-x
					6-30863-xx-x-x

SECURY 2169

with key-controlled latch holdback for 2-leaf doors



Functional description

Panic function E

The self-locking panic lock for double-leaf doors with mechanical panic function on the interior lever handle. The door can always be opened towards the outside. Mechanical access from outside using the key (via the latch lever).

For a detailed functional description see page 489

Key-controlled latch holdback

Use the key to hold the three latchbolts.

Product description

SECURY 2169

- Approved to EN 179 (emergency exits), EN 1125 (panic doors)
- Satin stainless steel faceplate
- 9 mm follower
- Triple automatic latchbolt, 20 mm latch/deadbolt projection in locked position
- With latch lever
- 72 mm (PC), 74 mm (CH-RC) hole distance

Classification code

EN 179

3	7	7	0	1	3	4	2	A	A
---	---	---	---	---	---	---	---	---	---

EN 1125

3	7	7	0	1	3	2	1/2	A/B	A
---	---	---	---	---	---	---	-----	-----	---

Variants



PC hole-type



CH-RC hole-type

Standards



SECURY 2169 with key-controlled latch holdback for 2-leaf doors

Faceplate Finish	Backset mm	Faceplate Shape	Faceplate 20 x 3 x 1750 mm		Faceplate 24 x 3 x 1750 mm	
			DIN LH	DIN RH	DIN LH	DIN RH
Satin stainless steel	65	Round	6-37870-10-L-8	6-37870-10-R-8	6-37870-11-L-8	6-37870-11-R-8
	80	Round	-	-	6-37870-09-L-8	6-37870-09-R-8

Accessories to be ordered separately

Description	Order number	See page
A-opener kit (including 6 m connecting cable)	K-18153-01-0-0	419

Additional options (available on request)

Faceplate		Follower	Backset mm	Special versions	Suitable shoot-bolt lock
Material/Finish	Width				
-	-	-	-	CH-RC hole-type	B 2189

SECURY 2170 electrically coupled panic lock for 1-leaf doors

Faceplate Finish	Backset mm	Faceplate Shape	Faceplate 20 x 3 x 1750 mm		Faceplate 24 x 3 x 1750 mm	
			DIN LH	DIN RH	DIN LH	DIN RH
Satin stainless steel	55	Round	6-39014-02-L-8	6-39014-02-R-8	6-39014-04-L-8	6-39014-04-R-8
	65	Round	6-39014-03-L-8	6-39014-03-R-8	6-39014-05-L-8	6-39014-05-R-8
	80	Round	6-39014-06-L-8	6-39014-06-R-8	-	-

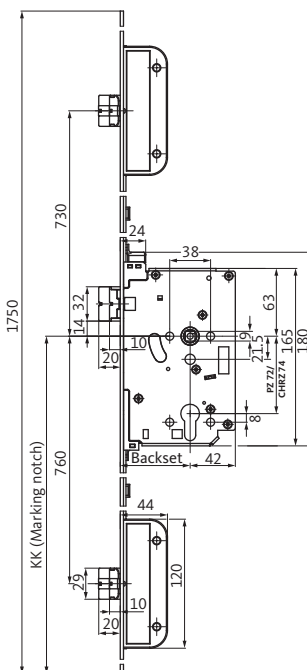
Including B 5490 0300 connecting cable

Additional options (available on request)

Faceplate		Follower	Backset mm	Special versions	Suitable strikers
Material/Finish	Width				
-	-	-	-	Panic function inward CH-RC hole-type	B 9000 9-38551-xx-x-x 6-30863-xx-x-x

SECURY 2171 EK

for 2-leaf doors (fail-secure)



Functional description

Panic function C

The self-locking electrically coupled lock for 2-leaf doors features a mechanical panic function on the interior lever handle. The door can always be opened towards the outside. The exterior lever handle is electrically coupled, i.e. access can be controlled electrically.

For a detailed functional description see page 487

Product description

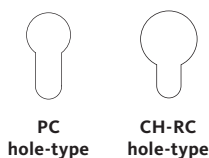
SECURY 2171 EK

- Approved to EN 179 (emergency exits), EN 1125 (panic doors) and EN 14846
- Satin stainless steel faceplate
- 9 mm split follower
- Triple automatic latchbolt, 20 mm latch/deadbolt projection in locked position
- 72 mm (PC), 74 mm (CH-RC) hole distance
- Integral control unit
- 12–24 V DC

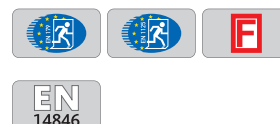
Classification code

EN 179									
3	7	7	B	1	3	4	2	A	A
EN 1125									
3	7	7	B	1	3	2	1/2	A/B	A

Variants



Standards



SECURY 2171 electrically coupled panic lock for 2-leaf doors

Faceplate Finish	Backset mm	Faceplate Shape	Faceplate 20 x 3 x 1750 mm		Faceplate 24 x 3 x 1750 mm	
			DIN LH	DIN RH	DIN LH	DIN RH
Satin stainless steel	65	Round	6-39014-11-L-8	6-39014-11-R-8	6-39014-07-L-8	6-39014-07-R-8
	80	Round	6-39014-01-L-8	6-39014-01-R-8	–	–

Including B 5490 0300 connecting cable

Additional options (available on request)

Faceplate		Follower	Backset mm	Special versions	Suitable shoot-bolt lock
Material/Finish	Width				
–	–	–	–	Panic function inward CH-RC hole-type	B 2189

B 2116 EVP for 1-leaf doors

Faceplate Finish	Backset mm	Faceplate Shape	Faceplate 20 x 3 x 1750 mm		Faceplate 24 x 3 x 1750 mm	
			DIN LH	DIN RH	DIN LH	DIN RH
Satin stainless steel	55	Round	-	-	6-38498-01-L-8	6-38498-01-R-8
	65	Round	-	-	6-38498-02-L-8	6-38498-02-R-8

Including B 5490 0001 connecting cable

B-2116 S EVP with monitoring contacts for 1-leaf doors

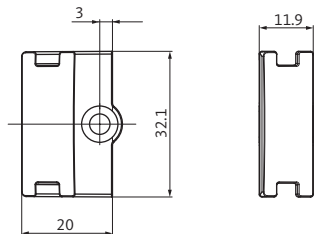
Faceplate Finish	Backset mm	Faceplate Shape	Faceplate 20 x 3 x 1750 mm		Faceplate 24 x 3 x 1750 mm	
			DIN LH	DIN RH	DIN LH	DIN RH
Satin stainless steel	55	Round	-	-	6-37979-01-L-8	6-37979-01-R-8
	65	Round	6-37979-03-L-8	6-37979-03-R-8	6-37979-02-L-8	6-37979-02-R-8

Including B 5490 0001 connecting cable

Additional options (available on request)

Faceplate		Follower	Backset mm	Special versions	Suitable striker
Material/Finish	Width				
-	-	-	-	CH-RC hole-type	9-49431

B-9045 silent latch/Adapter for top-locking feature

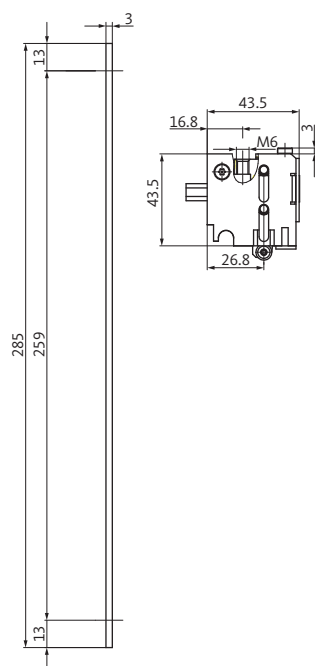


B-9045 silent latch

B-9045 silent latch

Order number

B-90450-00-0-0



Adapter for top-locking feature

For series 23

Adapter faceplate and top-locking feature

B 9054 adapter for top-locking feature

Faceplate	Order number	
	DIN LH	DIN RH
Faceplate 20 mm	B 9054 0001	B 9054 0002
Faceplate 24 mm	B 9054 0003	

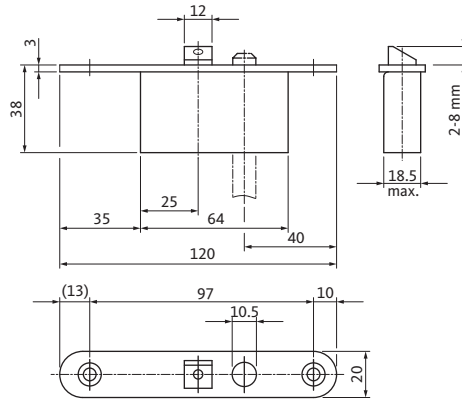
Adapter for top-locking feature

for series 21

Adapter faceplate and top-locking feature

B 9055 adapter for top-locking feature

Faceplate	Order number	
	DIN LH	DIN RH
Faceplate 20 mm	B 9055 0001	B 9055 0002
Faceplate 24 mm	B 9055 0003	



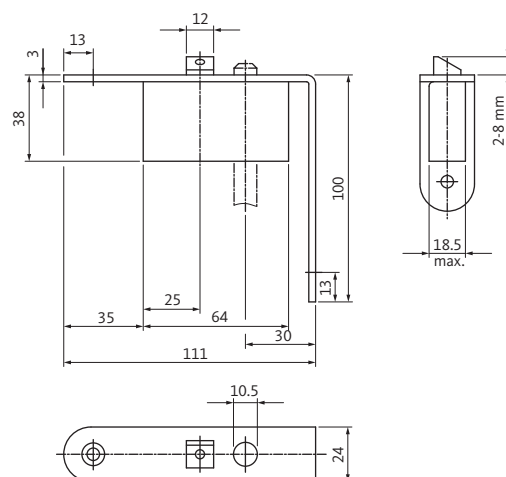
B 1595 passive-leaf control lock

Faceplate shape: round/straight

B 1595 passive-leaf control lock

Faceplate material/finish	Faceplate shape
Satin stainless steel	Round/straight
Rebated doors 20 mm faceplate Non-handed	Flush doors 24 mm faceplate Non-handed
B 1595 0185	B 1595 0123

Suitable striker	B 9000 0490
-------------------------	-------------



B 1595 passive-leaf control lock

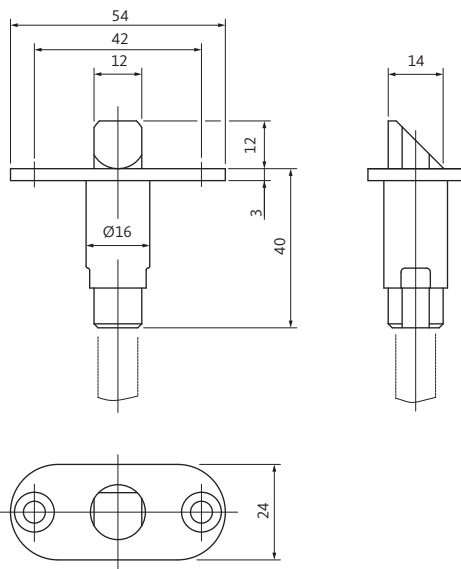
Faceplate shape: round/angled

B 1595 passive-leaf control lock

Faceplate material/finish	Faceplate shape
Satin stainless steel	Round/angled
Rebated doors 20 mm faceplate Non-handed	Flush doors 24 mm faceplate Non-handed
B 1595 0173	B 1595 0121

Suitable striker	B 9000 0490
-------------------------	-------------

B 1795/B 1796 spring-operated top latch



B 1795 spring-operated top latch

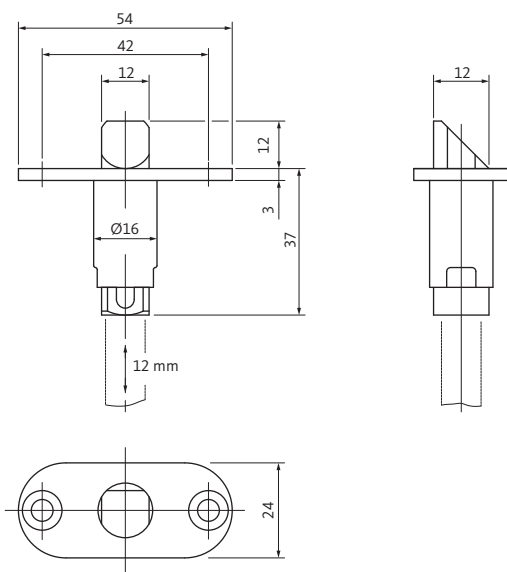
Additional top-locking into the door frame of the active leaf

B 1795 spring-operated top latch

Faceplate material/finish	
Galvanised steel	
Faceplate dimension	Non-handed
54 mm x 24 mm	B 1795 0001
54 mm x 20 mm	B 1795 0002
Suitable striker	B 9000 0567

B 1795 spring-operated top latch for use with electric strike

Faceplate material/finish	
Galvanised steel	
Faceplate dimension	Non-handed
54 mm x 24 mm	B 1795 0005
54 mm x 20 mm	B 1795 0007
Suitable for GU-BKS electric strike ET 8	
Suitable striker	9-49431-01-0-8 9-49431-02-0-8

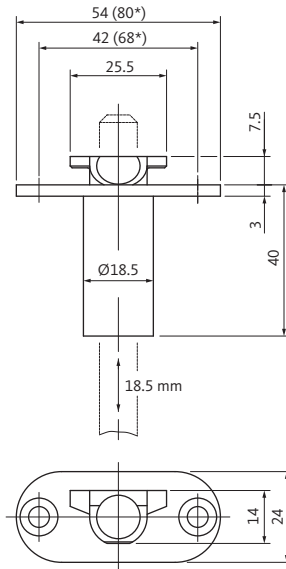


B 1796 spring-operated top latch

For locking the passive leaf only in the upper frame when used in combination with electric strikes with automatic door drive (double-leaf automatic swing doors)

B 1796 spring-operated top latch

Faceplate material/finish	
Galvanised steel	
Faceplate dimension	Non-handed
54 x 20 mm	B 1796 0013
54 x 24 mm	B 1796 0012
Suitable for GU-BKS electric strike ET 8	
Suitable striker	9-49431-01-0-8 9-49431-02-0-8



*Dimensions with backset 80 and 100

B 1895 passive-leaf control lock

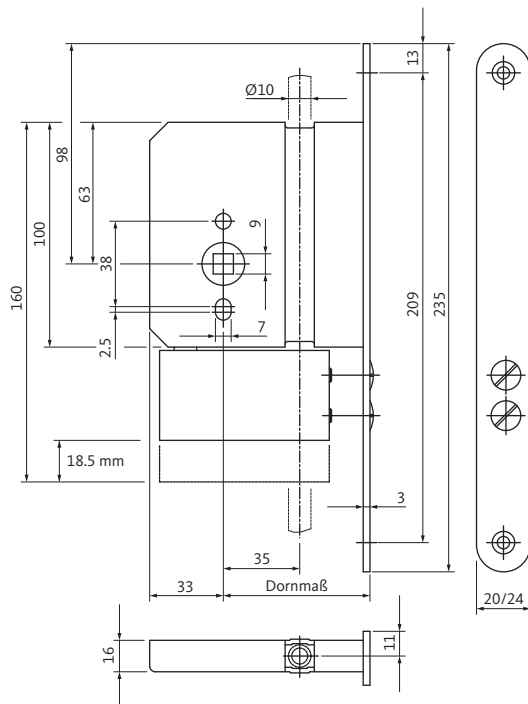
The passive-leaf control lock is mounted in the upper area of the passive leaf. When the opening movement of the door hardware on the passive leaf is completed, the vertical rod is automatically locked in place within the passive-leaf control lock.

B 1895 passive-leaf control lock

Faceplate material/finish	Faceplate shape	
Galvanised steel	Round	
Backset mm	Faceplate 20 mm Non-handed	Faceplate 24 mm Non-handed
65	B 1895 0002	B 1895 0003
80 + 100	B 1895 0004	B 1895 0005

Suitable striker	B 9000 0490
------------------	-------------

B 2598 remote lock



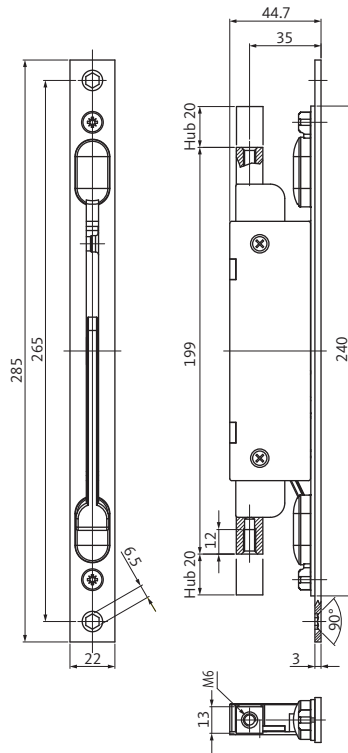
B 2598 remote lock

The remote lock (installed approx. 1500 mm above finished floor level) converts the rotational movement of the vertical lever into the thrust movement of the vertical rods.

B 2598 remote lock

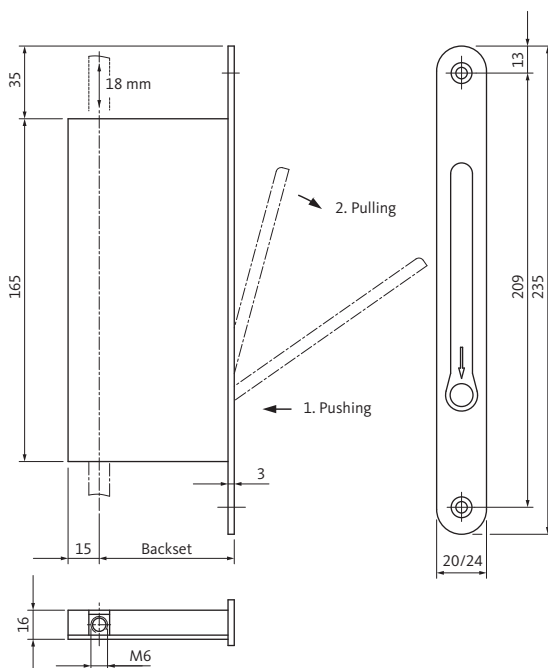
Faceplate material/ finish	Faceplate shape	
Satin stainless steel	Round	
Backset mm	Faceplate 20 x 3 x 235 mm	
	DIN LH	DIN RH
65	B 2598 0106	B 2598 0105
80	B 2598 0108	B 2598 0107
100	B 2598 0110	B 2598 0109
Backset mm	Faceplate 24 x 3 x 235 mm	
	DIN LH	DIN RH
65	B 2598 0058	B 2598 0057
80	B 2598 0066	B 2598 0065
100	B 2598 0074	B 2598 0073

When the B 2598 remote lock is used, special shoot-bolt lock versions must be specified. The remote lock can only be used with B 2392 and B 2397 shoot-bolt locks, prepared for electric strikes and only in connection with 80 and 100 mm backset.



B-1898 shoot-bolt

B-1898 shoot-bolt	
Faceplate Material/ Finish	Faceplate shape
Galvanised	Square
Backset mm	Faceplate 22 x 3 x 285 mm Non-handed
20	B-18980-00-0-3
35	B-18980-01-0-3

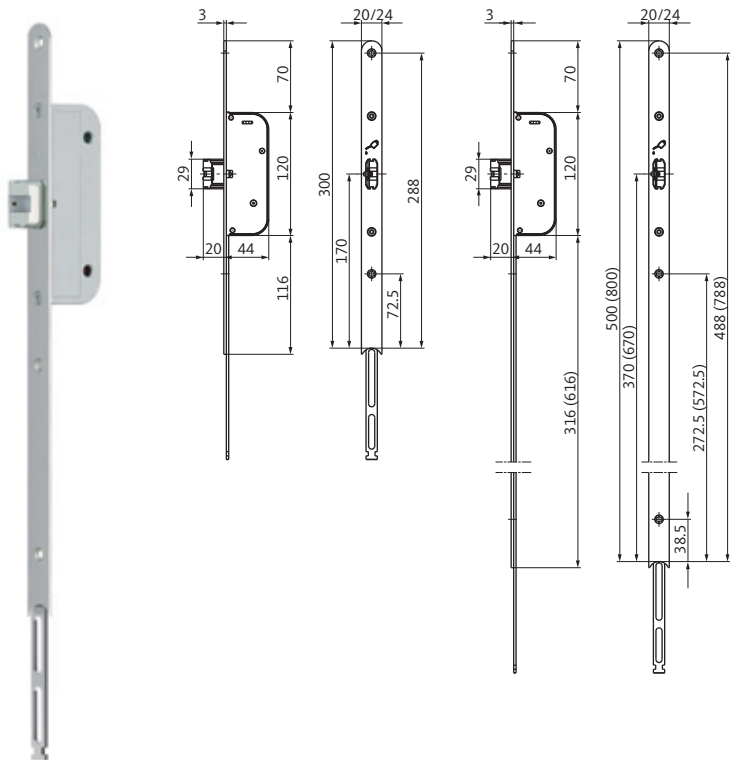


B 1899 lever-operated shoot-bolt lock

When the passive leaf is closed, automatic locking of the spring-loaded vertical rods at the top and bottom is triggered by passive-leaf control lock B 1895.

B 1899 lever-operated shoot-bolt lock		
Faceplate Finish	Faceplate Shape	
Satin stainless steel	Round	
Backset mm	Faceplate 20 x 3 x 235 mm Non-handed	Faceplate 24 x 3 x 235 mm Non-handed
30	B 1899 0260	B 1899 0222
45	B 1899 0263	B 1899 0225
65	B 1899 0267	B 1899 0229

SECURY 21 faceplate extension/Torque screwdriver



SECURY 21 faceplate extension

for SECURY series 21 with faceplate 1750 mm, non-handed

SECURY 21 faceplate extension		
Faceplate length in mm	Faceplate	
	20 x 3 mm	24 x 3 mm
300	6-39410-50-0-8	6-39410-51-0-8
500	6-39411-50-0-8	6-39411-51-0-8
800	6-39412-50-0-8	6-39412-51-0-8

SECURY 21 top extension piece

Faceplate length in mm	Faceplate	
	20 x 3 mm	24 x 3 mm
405	9-48687-48-0-8	9-48687-49-0-8

SECURY 21 bottom extension piece

Faceplate length in mm	Faceplate	
	20 x 3 mm	24 x 3 mm
130	9-48686-48-0-8	9-48686-49-0-8

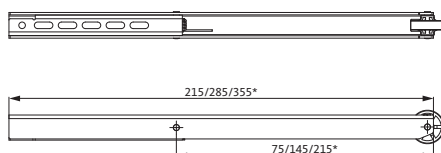


Torque screwdriver

with T-handle and non-slip finish

Torque screwdriver	
Order number	
B-90010-02-0-0	

Suitable for switchable panic side with lock series 18, 19, 21, and 23



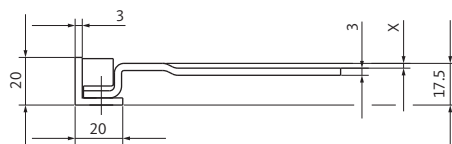
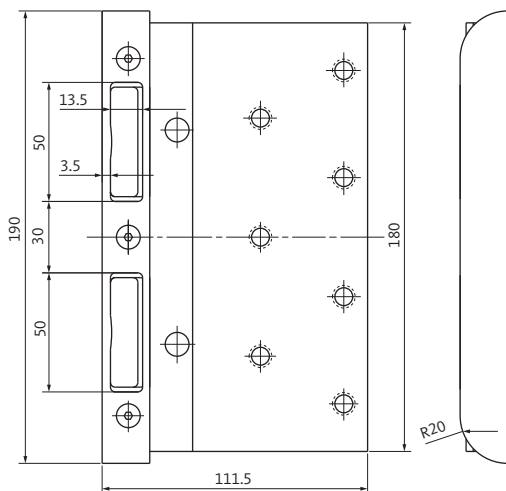
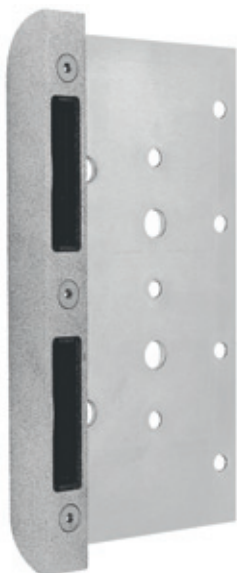
Carrier bar MNK 8642

The carrier bar ensures that when the door is opened via the passive leaf (in emergency situations), the active leaf is carried at least as far as the beginning of the action range of the door-leaf coordinator (SRI)

Carrier bar MNK 8642

Size	Finish	Order number
		Overlap height 0-17
01 Length = 215 mm	Silver	K-17897-01-0-1
	Black	K-17897-01-0-6
	Traffic white (RAL 9016)	K-17897-01-0-7
02 Length = 285 mm	Silver	K-17897-02-0-1
	Black	K-17897-02-0-6
	Traffic white (RAL 9016)	K-17897-02-0-7
03 Length = 355 mm	Silver	K-17897-03-0-1
	Black	K-17897-03-0-6
	Traffic white (RAL 9016)	K-17897-03-0-7

S204/S241 security angled striker



S204 security angled striker

for apartment entrance doors;
with lining for 20 mm deadbolt throw; suitable for
heavy-duty applications; non-handed

Security angled striker

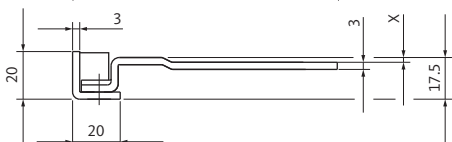
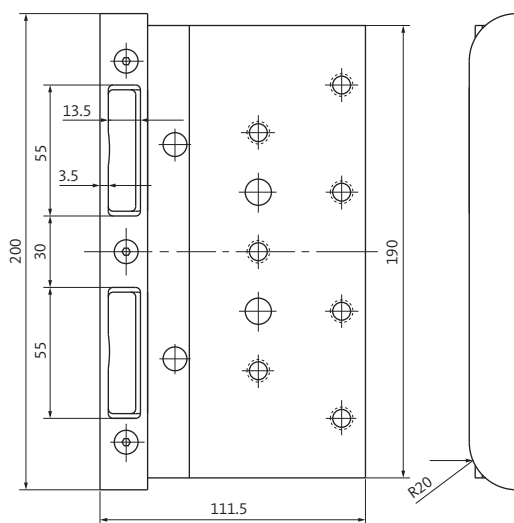
Material/Finish	Crank dimension	Order number
Steel, matt nickel-plated	0	S2040008

Additional options (available on request)

Material/Finish	Special version
Satin stainless steel	-

Suitable for BKS locks:

- 0515, 0615, 6043, 6306



S241 security angled striker

for apartment entrance doors;
with lining for 20 mm deadbolt throw; suitable for
heavy-duty applications; non-handed

Security angled striker

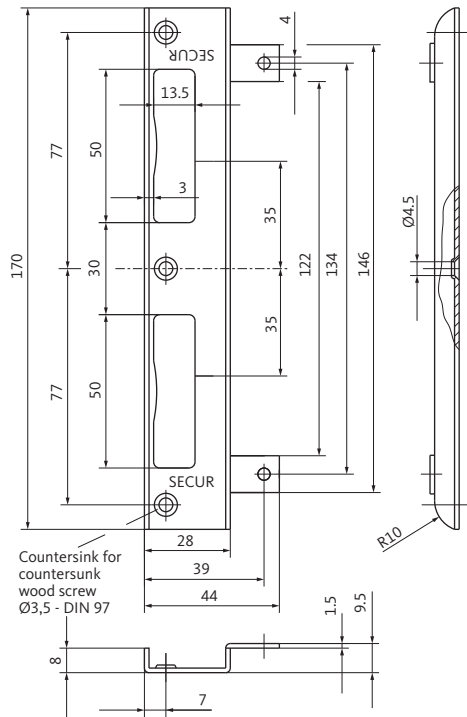
Material/Finish	Crank dimension	Order number
Steel	0	S2410004

Additional options (available on request)

Material/Finish	Special version
Steel, gold-plated	-

Suitable for BKS locks:

- 0515, 0615, 6043, 6306



2808 SECUR striker

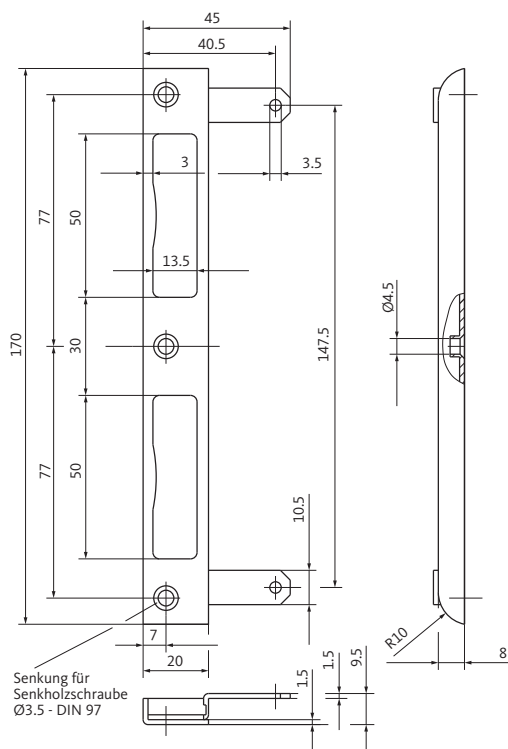
for interior door locks to DIN 18251;
with plastic lining for single-throw locks;
with fastening lip; suitable for medium-duty
applications; non-handed

SECUR striker

Material/Finish	Order number
Steel nickel silver	S2800049
Satin stainless steel	S2800015

Suitable for BKS locks:

- 0215, 0415



2809 angled striker

for interior door locks to DIN 18251;
with plastic lining for single-throw locks;
with fastening clips; suitable for average stress;
non-handed

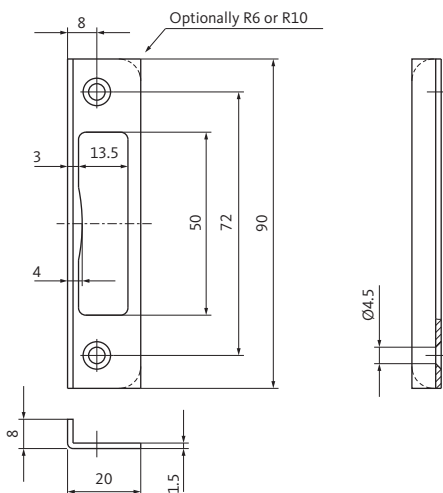
Angled striker

Material/Finish	Order number
Steel nickel silver	S2800048
Satin stainless steel	S2800016

Suitable for BKS locks:

- 0215, 0415

S400/S401 angled striker



S400 angled striker

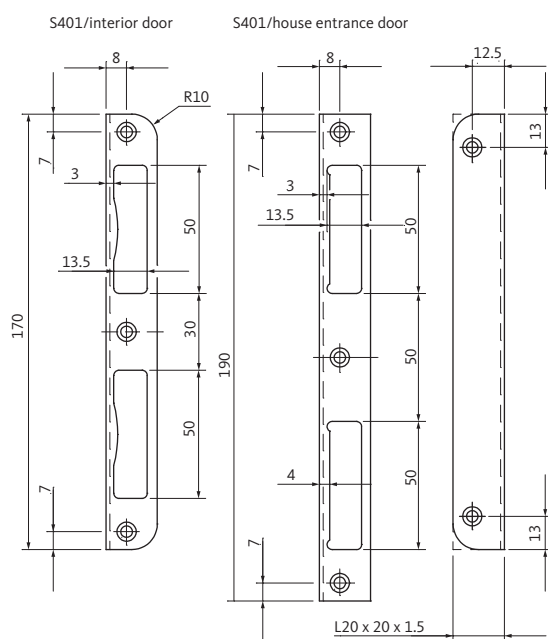
suitable for light-duty applications, non-handed

Angled striker

Material/Finish	Shape	Order number
Steel nickel silver	Square	S4000013
Satin stainless steel		S4000008

Suitable for BKS locks:

- 1307



S401 angled striker

for interior door locks to DIN 18251 (round faceplate ends) and entrance door locks (square faceplate ends), suitable for light-duty applications, non-handed

Angled striker for interior door locks

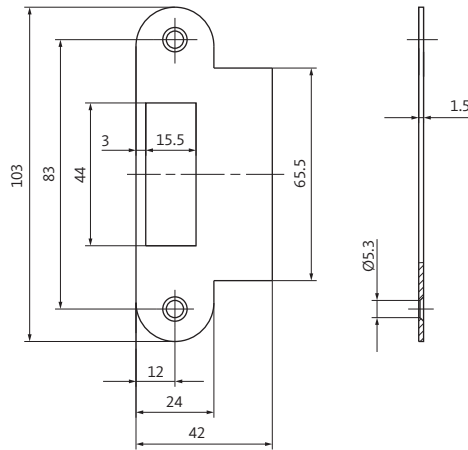
Material/Finish	Shape	Order number
Steel nickel silver	Round (10 mm radius)	S4010088
Satin stainless steel		S4010012

Angled striker for entrance door locks

Material/Finish	Shape	Order number
Steel nickel silver	Square	S4010091
Satin stainless steel		S4010050

Suitable for BKS locks:

- 0215, 0415, 0515, 0615
- 0024



S403 lipped striker

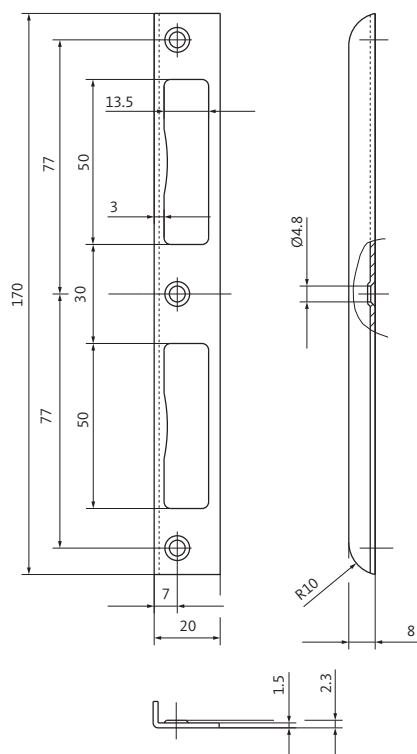
suitable for light-duty applications; non-handed

Lipped striker

Material/Finish	Shape	Order number
Steel nickel silver	Round	S4030007
	Square	S4030001

Suitable for BKS locks:

- 1307



S411 angled striker

for interior door locks to DIN 18251;
with plastic lining for single-throw locks;
suitable for light-duty applications; non-handed

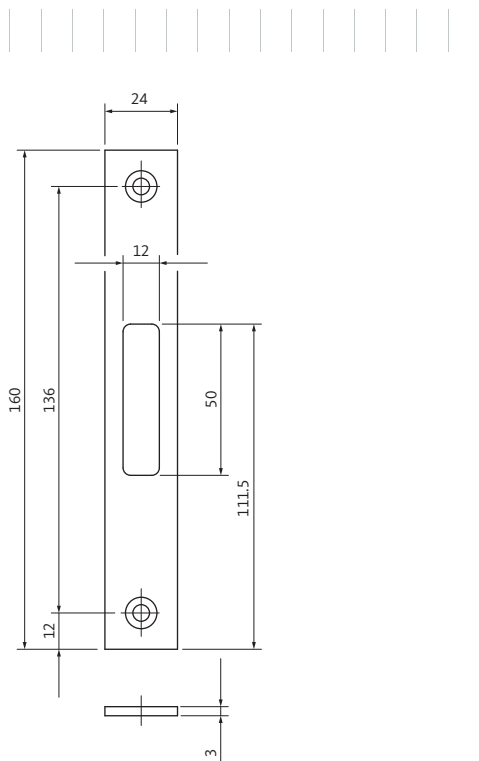
Angled striker

Material/Finish	Order number
Steel nickel silver	S4110104
Satin stainless steel	S4110014
RAL 9016	S4110034

Suitable for BKS locks:

- 0215, 0415, 0515

B 9000 deadbolt striker/S413 striker



B 9000 deadbolt striker

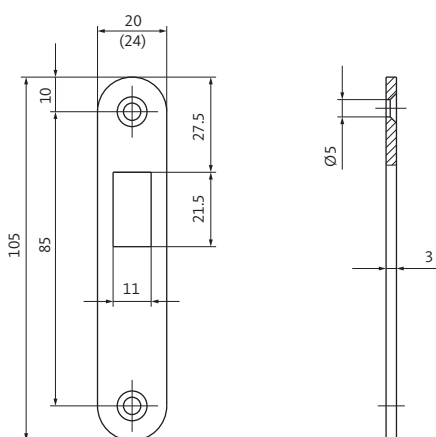
suitable for normal-duty applications

Deadbolt striker

Material/Finish	Faceplate 24 x 3 x 160 mm
Satin stainless steel	B 9000 1100
Steel nickel silver	B 9000 1101

Suitable for BKS locks:

- 1308



S413 striker

suitable for light-duty applications, non-handed

Striker for lock 0371/0372/0353

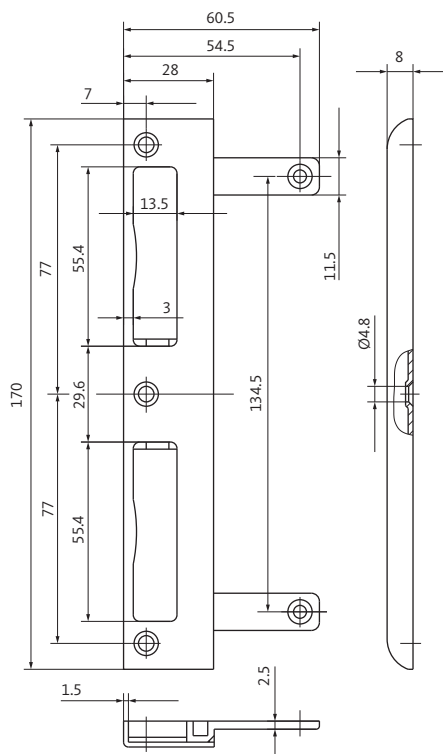
Material/Finish	Shape	Order number
Steel nickel silver	Square	S4130023
	Round	S4130026
Satin stainless steel	Square	S4130004
	Round	S4130008

Striker for lock 0375

Material/Finish	Shape	Order number
Steel nickel silver	Square	S4130039
	Round	S4130036
Satin stainless steel	Square	S4130012
	Round	S4130016

Suitable for BKS locks:

- 0371, 0372, 0353
- 0375



2828 U-striker

for interior door locks to DIN 18251;
with plastic lining for single-throw locks;
with fastening clip; suitable for medium-duty
applications; non-handed

U-striker

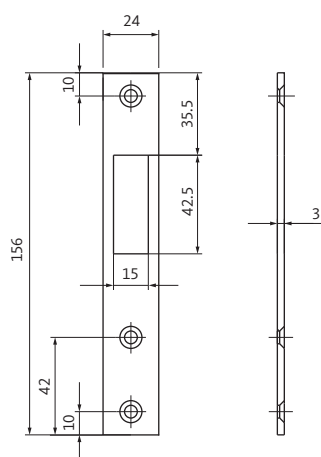
Material/Finish	Order number
Steel nickel silver	S2820069
Satin stainless steel	S2820061

Additional options (available on request)

Material/Finish	Special version
Satin stainless steel	Lining for double-throw locks

Suitable for BKS locks:

- 0215, 0415



S448 striker

suitable for medium-duty applications, non-handed

Striker for lock 0381H

Material/Finish	Shape	Order number
Galvanised	Square	S4480003
Satin stainless steel		S4480002

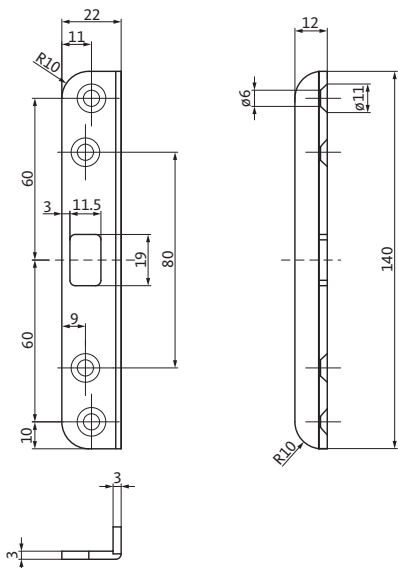
Striker for lock 0381HF

Material/Finish	Shape	Order number
Galvanised	Square	S4480004
Satin stainless steel		S4480009

Suitable for BKS locks:

- 0381H
- 0381HF

B 9000 angled striker



B 9000 angled striker

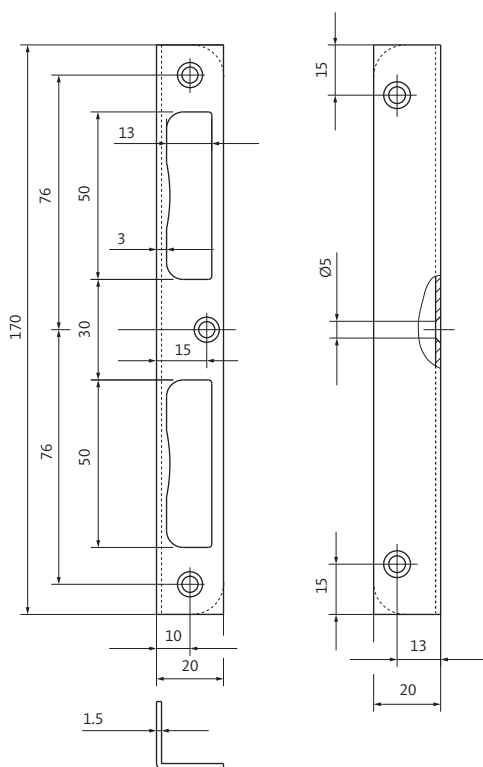
suitable for normal-duty applications, non-handed

Angled striker

Material/Finish	Order number
Satin stainless steel	B 9000 0881

Suitable for BKS locks:

- 1795, 1895



B 9000 angled striker

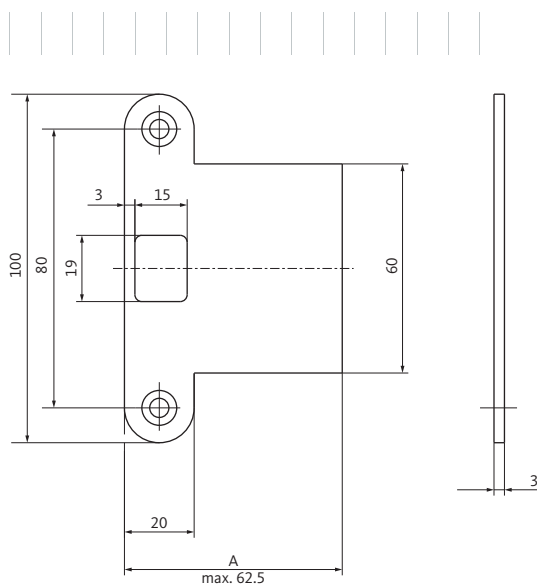
suitable for normal-duty applications, non-handed

Versions/order numbers

Material/Finish	Shape	Order number
Satin stainless steel	Square	B 9000 0247
	Round	B 9000 0248

Suitable for BKS locks:

- 1206, 6306



B 9000 lipped striker

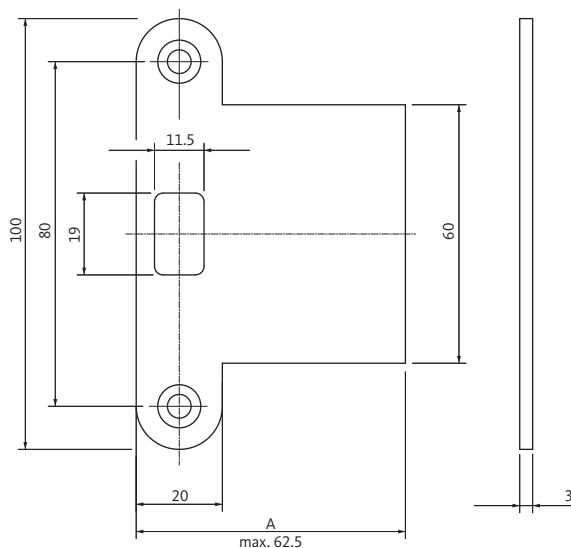
suitable for normal-duty applications, non-handed

Versions/order numbers

Material/Finish	Dim. A = 62.5 mm	
Satin stainless steel	Round	B 9000 0567

Suitable for BKS locks:

- 1795, 1796



B 9000 lipped striker

suitable for normal-duty applications, non-handed

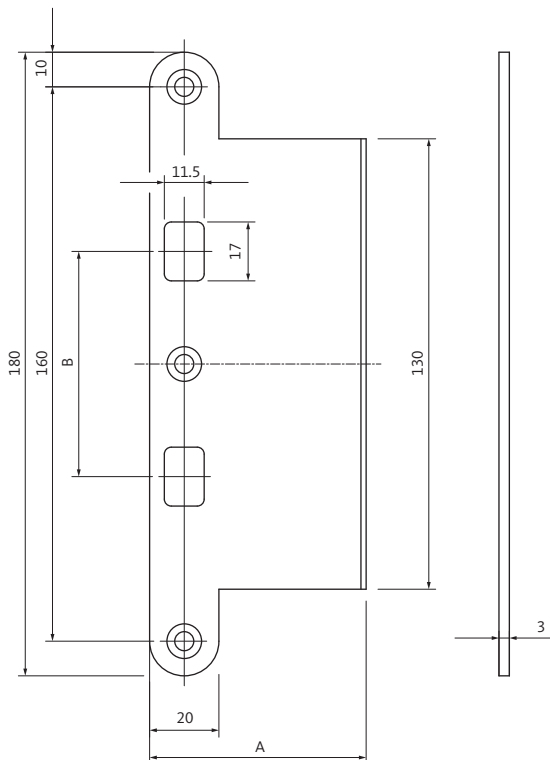
Lipped striker

Material/Finish	Dim. A = 62.5 mm	
Satin stainless steel	Round	B 9000 0490

Suitable for BKS locks:

- 1895

B 9000 lipped striker/B-9000 flat striker



B 9000 lipped striker

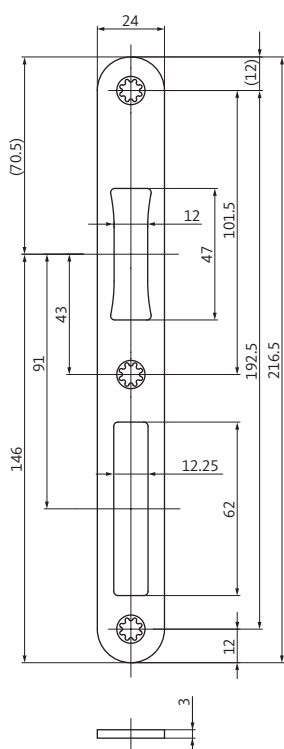
for active/passive leaf combinations with top-locking feature, non-handed

Lipped striker

Material/Finish	Dim. A = 34 mm Dim. B = 95 mm
Satin stainless steel	B 9000 0723
	Dim. A = 62.5 mm Dim. B = 65 mm
	B 9000 0724

Suitable for BKS locks:

- 1795, 1796, 1895



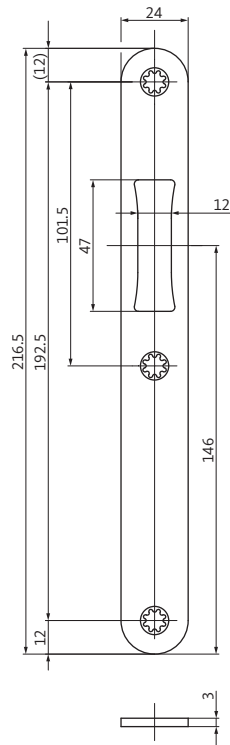
B-9000 flat striker

suitable for normal-duty applications, non-handed

Flat striker

Material/Finish	Shape	Order number
Satin stainless steel	Square	B-90000-04-0-8
	Round	B-90000-05-0-8

Suitable for all BKS locks



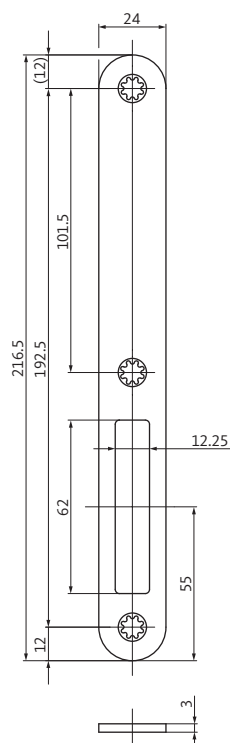
B-9000 flat striker

suitable for normal-duty applications, non-handed

Flat striker

Material/Finish	Shape	Order number
Satin stainless steel	Square	B-90000-00-0-8
	Round	B-90000-01-0-8

Suitable for all BKS locks



B-9000 flat striker

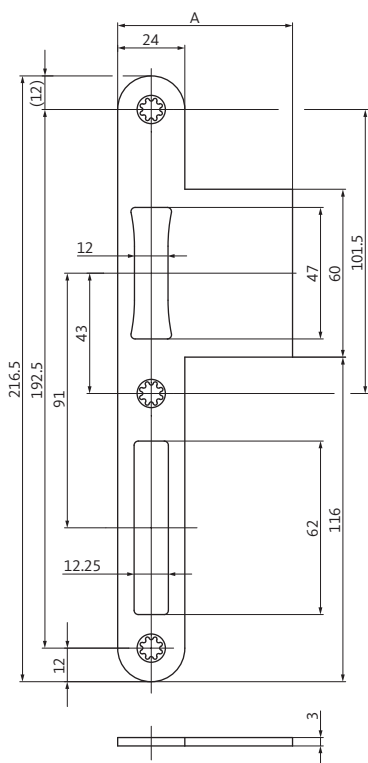
suitable for normal-duty applications, non-handed

Flat striker

Material/Finish	Shape	Order number
Satin stainless steel	Square	B-90000-02-0-8
	Round	B-90000-03-0-8

Suitable for all BKS locks

B-9000 lipped striker

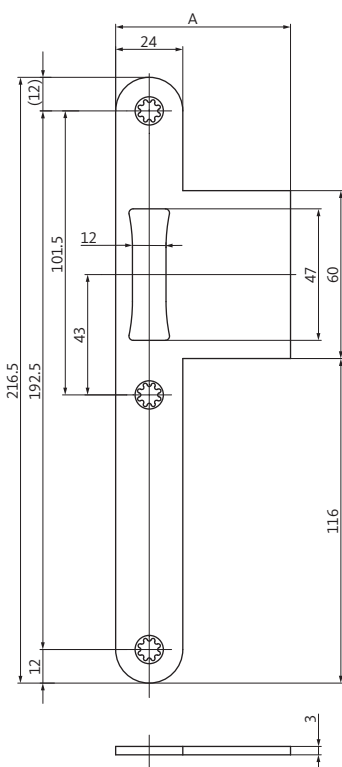


B-9000 lipped striker

suitable for normal-duty applications

Lipped striker			
Material/Finish	Dim. A = 62.5 mm		
Satin stainless steel	Square	DIN LH	B-90000-58-L-8
	Square	DIN RH	B-90000-58-R-8
	Round	DIN LH	B-90000-61-L-8
	Round	DIN RH	B-90000-61-R-8
Material/Finish	Dim. A = 36 mm		
Satin stainless steel	Square	DIN LH	B-90000-57-L-8
	Square	DIN RH	B-90000-57-R-8
	Round	DIN LH	B-90000-60-L-8
	Round	DIN RH	B-90000-60-R-8
Material/Finish	Dim. A = 28 mm		
Satin stainless steel	Square	DIN LH	B-90000-56-L-8
	Square	DIN RH	B-90000-56-R-8
	Round	DIN LH	B-90000-59-L-8
	Round	DIN RH	B-90000-59-R-8

Suitable for all BKS locks

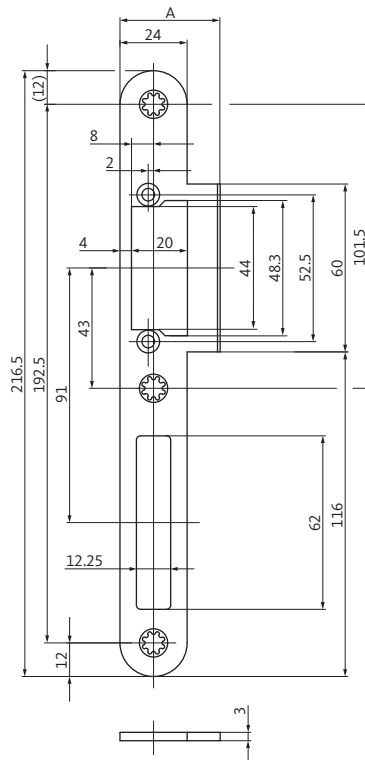


B-9000 lipped striker

suitable for normal-duty applications

Lipped striker			
Material/Finish	Dim. A = 62.5 mm		
Satin stainless steel	Square	DIN LH	B-90000-52-L-8
	Square	DIN RH	B-90000-52-R-8
	Round	DIN LH	B-90000-55-L-8
	Round	DIN RH	B-90000-55-R-8
Material/Finish	Dim. A = 36 mm		
Satin stainless steel	Square	DIN LH	B-90000-51-L-8
	Square	DIN RH	B-90000-51-R-8
	Round	DIN LH	B-90000-54-L-8
	Round	DIN RH	B-90000-54-R-8
Material/Finish	Dim. A = 28 mm		
Satin stainless steel	Square	DIN LH	B-90000-50-L-8
	Square	DIN RH	B-90000-50-R-8
	Round	DIN LH	B-90000-53-L-8
	Round	DIN RH	B-90000-53-R-8

Suitable for all BKS locks



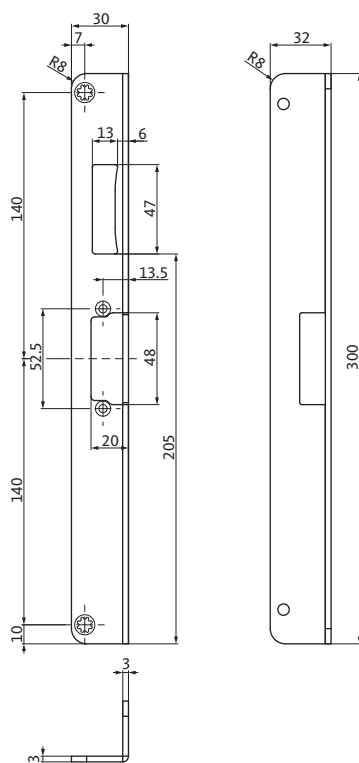
B-9000 lipped striker

for GU-BKS electric strike ET 8,
suitable for normal-duty applications

Lipped striker

Material/Finish	Dim. A = 62.5 mm		
Satin stainless steel	Square	DIN LH	B-90000-64-L-8
	Square	DIN RH	B-90000-64-R-8
	Round	DIN LH	B-90000-67-L-8
	Round	DIN RH	B-90000-67-R-8
Material/Finish	Dim. A = 36 mm		
Satin stainless steel	Square	DIN LH	B-90000-63-L-8
	Square	DIN RH	B-90000-63-R-8
	Round	DIN LH	B-90000-66-L-8
	Round	DIN RH	B-90000-66-R-8
Material/Finish	Dim. A = 28 mm		
Satin stainless steel	Square	DIN LH	B-90000-62-L-8
	Square	DIN RH	B-90000-62-R-8
	Round	DIN LH	B-90000-65-L-8
	Round	DIN RH	B-90000-65-R-8

Suitable for all BKS locks



B-9000 angled striker

for B 5465 0400 FaFix electric escape door strike

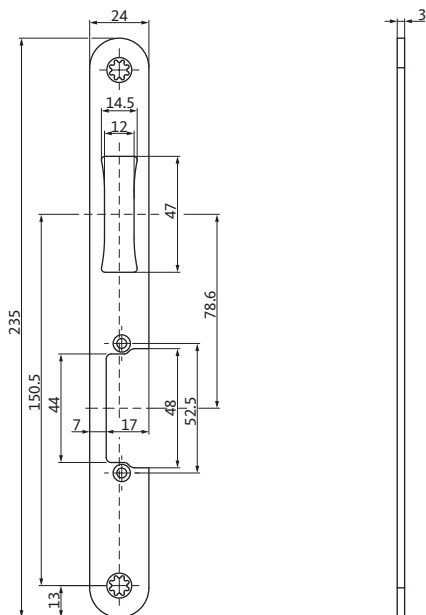
Angled striker

Material/Finish	Order number	
	DIN LH	DIN RH
Satin stainless steel	B-90000-85-L-8	B-90000-85-R-8

Suitable for BKS locks:

- EVP 2120, 2126

B-9000 flat striker/B-9000 lipped striker



B-9000 flat striker

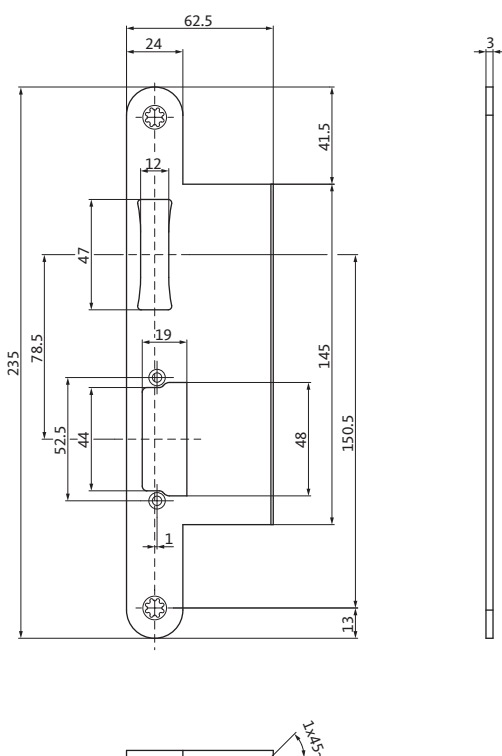
for FaFix and ProFix 2 electric escape door strikes
B 5465 0400/B 5465 0402

Flat striker

Material/Finish	Order number	
	DIN LH	DIN RH
Satin stainless steel	B-90000-69-L-8	B-90000-69-R-8

Suitable for BKS locks:

- EVP 2120, 2126



B-9000 lipped striker

for B 5465 0402 ProFix 2 electric escape door strike

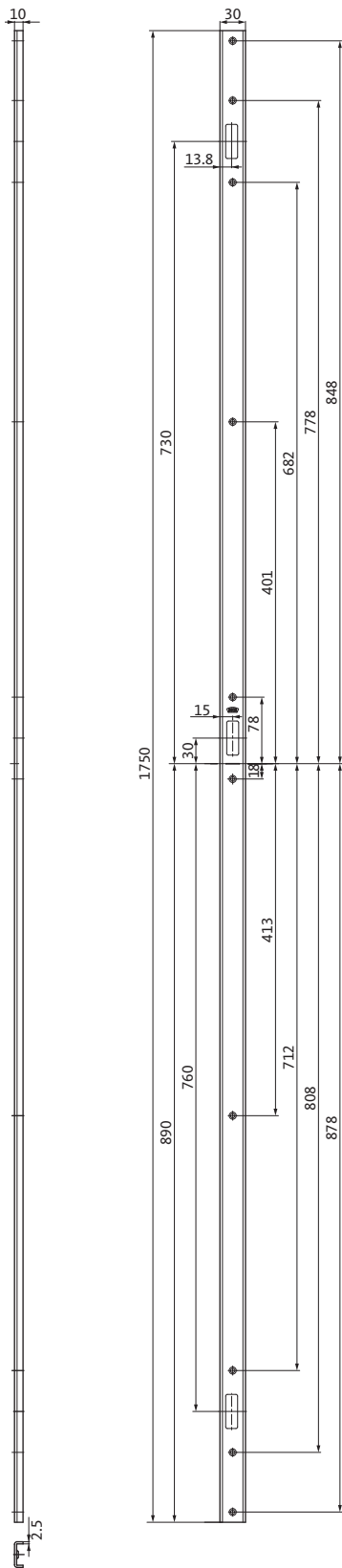
Lipped striker

Material/Finish	Dim. A = 62.5 mm	
	DIN LH	DIN RH
Satin stainless steel	B-90000-81-L-8	B-90000-81-R-8

Suitable for BKS locks:

- EVP 2120, 2126

SECURY 21 strikers

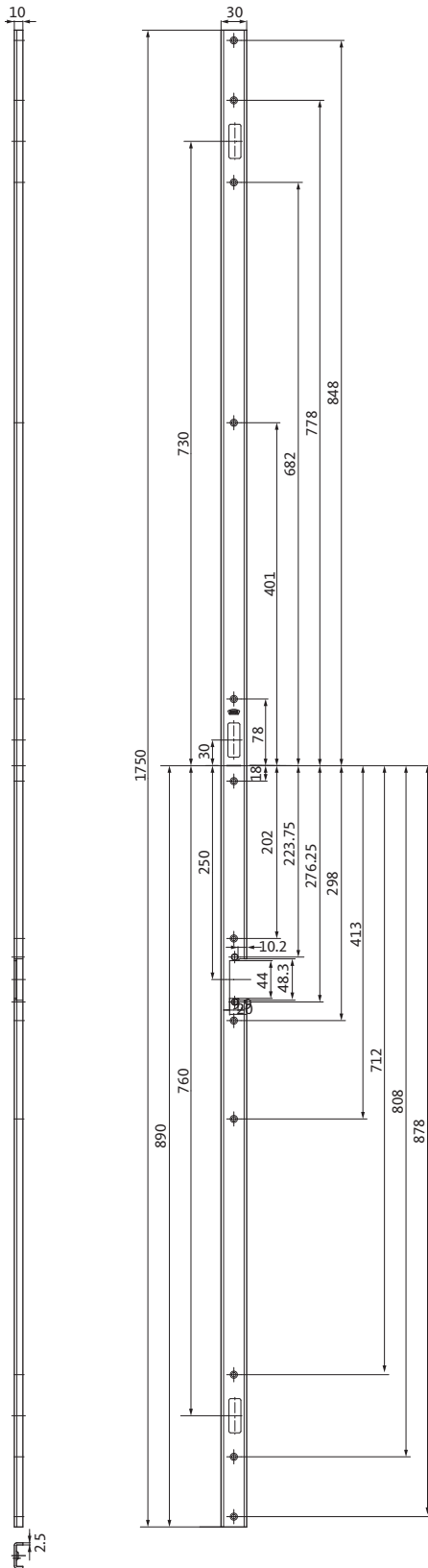


Strikers for SECURITY 21

Material/Finish	Order number	
	DIN LH	DIN RH
Satin stainless steel	30 x 10 x 2.5 mm x 1750 mm 9-51829-01-L-8	9-51829-01-R-8

Suitable for BKS locks:

- SECURITY 21, one-leaf

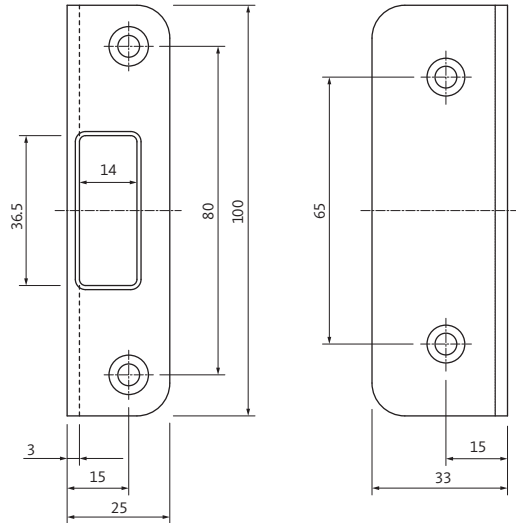


Strikers for SECURY 21 EVP

Material/Finish	Order number	
	30 x 10 x 2.5 mm x 1750 mm	
	DIN LH	DIN RH
Satin stainless steel	9-49856-01-L-8	9-49856-01-R-8

Suitable for BKS locks:

- SECURY 21 EVP



Angled striker

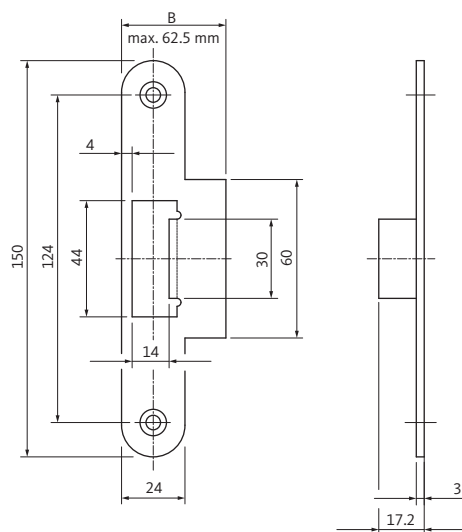
suitable for normal-duty applications, non-handed

Angled striker

Material/Finish	Order number
F1/EV 1 natural or silver colour	9-38551-01-0-1
Satin stainless steel	9-38551-01-0-8

Suitable for SECURY locks:

- Series 21



B 9000 lipped striker

suitable for normal-duty applications, non-handed

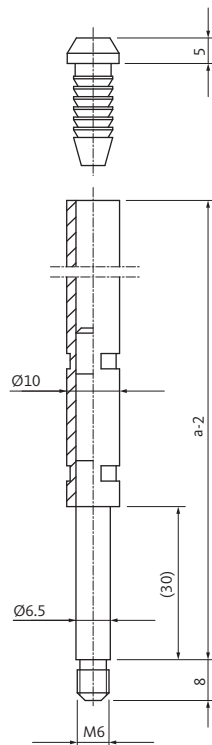
Lipped striker

Material/Finish	Dim. B	Order number
Satin stainless steel	34 mm	B 9000 0873
	62.5 mm	B 9000 0910

Suitable for SECURY locks:

- Series 21

B 9006 vertical rod



Vertical rod with end plug

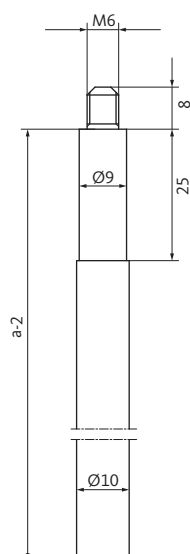
For automatic top-locking of the passive leaf

B 9006 vertical rod Available lengths

Vertical rod with end plug	
Rod length (a)	Order no.
760 mm	B 9006 0018
1010 mm	B 9006 0020
1135 mm	B 9006 0021
1200 mm	B 9006 0012
1385 mm	B 9006 0022
1500 mm	B 9006 0013
2000 mm	B 9006 0014
3000 mm	B 9006 0016

The fabricator must cut the vertical rods to the exact length required.

Separate end plugs	B 9039 0001
---------------------------	-------------



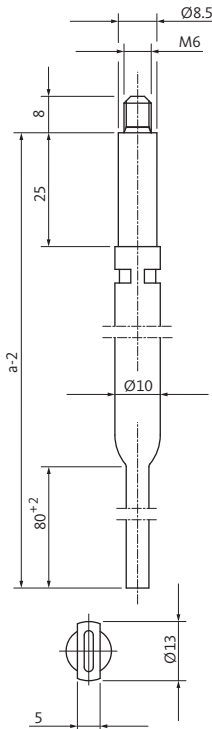
Solid vertical rod

Manual locking of the passive leaf at the top, manual or automatic locking of the passive leaf at the bottom.

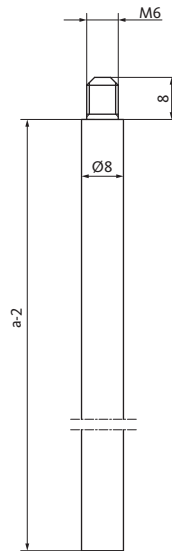
B 9006 vertical rod Available lengths

Solid vertical rod	
Rod length (a)	Order no.
1187 mm	B 9006 0004
1487 mm	B 9006 0005
2987 mm	B 9006 0008

The fabricator must cut the vertical rods to the exact length required.



for 'Planet' door gasket



for 'Athmer' door gasket

B 9006 solid vertical rod

for narrow door gasket 'Planet'

B 9006 vertical rod ('Planet' type) Available lengths

Rod length (a)	Order no.
966 mm	B 9006 0702
1414 mm	B 9006 0703
1440 mm	B 9006 0704

The fabricator must cut the vertical rods to the exact length required.

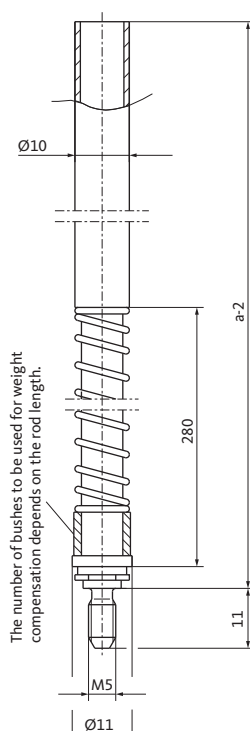
B 9006 solid vertical rod

for 'Athmer' door gasket

B 9006 vertical rod ('Athmer' type) Available lengths

Rod length (a)	Order no.
1187 mm	B 9006 0070
1487 mm	B 9006 0071

The fabricator must cut the vertical rods to the exact length required.



B 9036 spring-loaded vertical rod with end plug

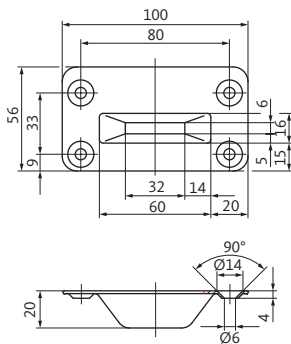
for B 2189 shoot-bolt lock in combination with B 1895 passive-leaf control lock

B 9036 spring loaded vertical rod with end plug

Door height	Rod length (a)	Order no.
2000–2250 mm	1135 mm	B 9036 0001
2250–2500 mm	1385 mm	B 9036 0002
2500–2750 mm	1635 mm	B 9036 0003
2750–3000 mm	1885 mm	B 9036 0004
3000–3250 mm	2135 mm	B 9036 0005
3250–3500 mm	2385 mm	B 9036 0006
3500–3750 mm	2635 mm	B 9036 0007

The fabricator must cut the vertical rods to the exact length required.

B 9009/B-0028 floor striker



B 9009 floor striker

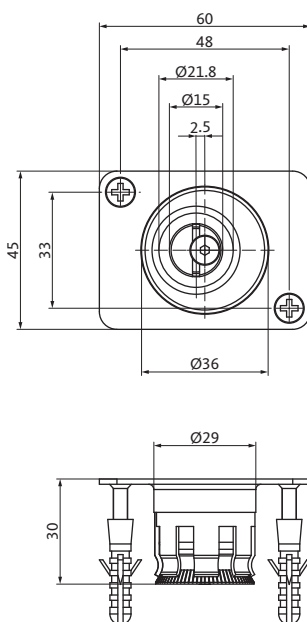
Note:

The conical shape of the floor striker allows a certain tolerance up to the end stop. The continuous folded edge sits flush with the floor. The larger bearing surface must face in the opening direction to prevent the floor being damaged by the vertical rod.

Floor striker

Order number

B 9009 0001



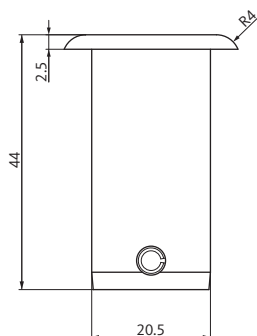
B-0028 adjustable floor striker

Including 60 x 45 mm cover
Adjustment range +/- 4 mm
Body made of solid stainless steel
Drilling depth 40 mm

Adjustable floor striker

Order number

B-00280-20-0-8

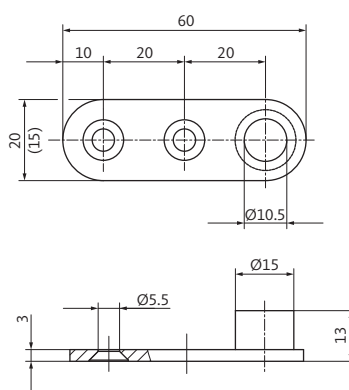


B-9003 floor striker

Floor striker for automatic and manual locking on passive leaf. Casing made of nickel-plated brass, plastic cover

Floor striker

Order number
B-90030-00-0-4



B 9019 guide plate for vertical rod

Note:

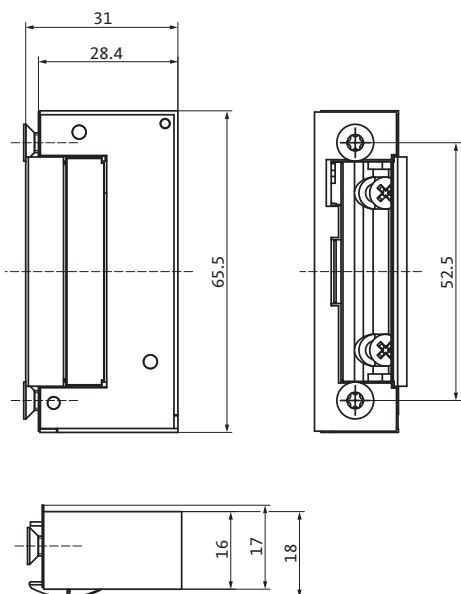
- 1 piece required for automatic locking at bottom
- 2 pieces required for manual locking at top and bottom

Guide plate for vertical rod

Shape	Dimension 20 x 60 x 3 mm Non-handed
Round	B 9019 0001
Shape	Dimension 15 x 60 x 3 mm Non-handed
Round	B 9019 0004 for 'Athmer' door gasket

GU-BKS electric strike ET 8

Standard versions



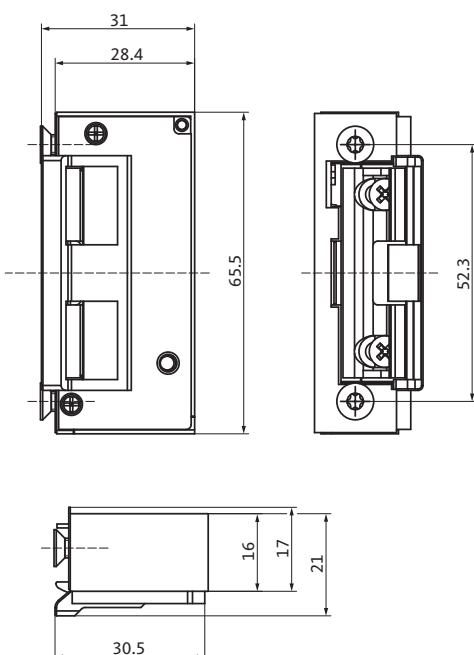
GU-BKS electric strike ET 8 without latch slide cover

Performance features:

Non-handed, small size, with radius keeper, pole reversal-proof spike protection, offers high resistance to attempted uplifting, optimum adaptation to the frame profile

GU-BKS electric strike

Description	Voltage range	Order no.
Fail-secure	9–24 V AC/DC	6-35804-01-0-1
Fail-secure with mechanical override	9–24 V AC/DC	6-35804-02-0-1
Fail-secure with monitoring contact	9–24 V AC/DC	6-35804-03-0-1
Fail-safe	9–24 V AC/DC	6-35806-01-0-1
Fail-safe with monitoring contact	9–24 V AC/DC	6-35806-03-0-1



GU-BKS electric strike ET 8 with latch slide cover

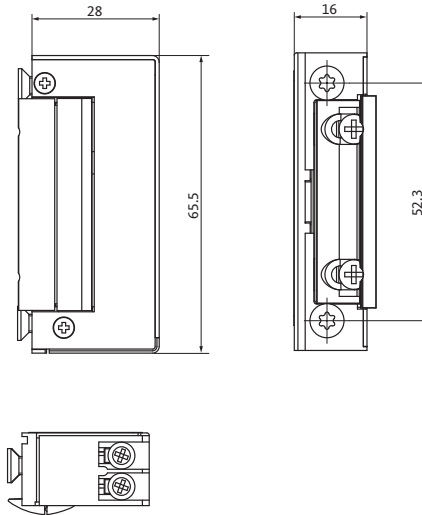
Performance features:

Non-handed, small size, with radius keeper, pole reversal-proof spike protection, offers high resistance to attempted uplifting, optimum adaptation to the frame profile

GU-BKS electric strike

Description	Voltage range	Order no.
Fail-secure	9–24 V AC/DC	6-35805-01-0-1
Fail-secure with mechanical override	9–24 V AC/DC	6-35805-02-0-1
Fail-secure with monitoring contact	9–24 V AC/DC	6-35805-03-0-1
Fail-safe	9–24 V AC/DC	6-35807-01-0-1
Fail-safe with monitoring contact	9–24 V AC/DC	6-35807-03-0-1

For more information, please see order catalogue "GU-BKS electric strikes ET 8 (WP00310)"



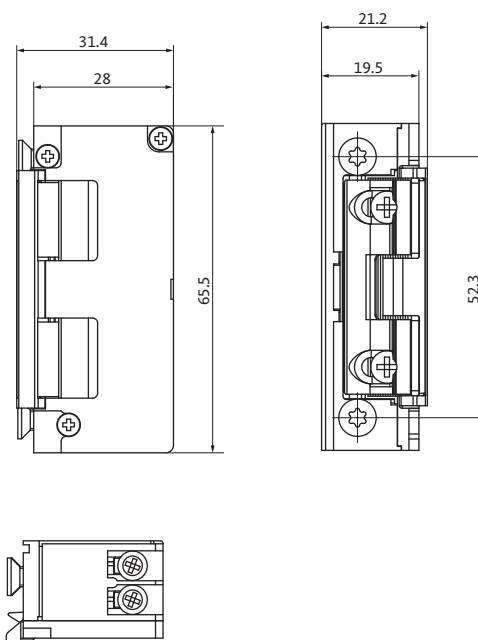
GU-BKS electric strike ET 8 without latch slide cover Fire rated version

Performance features:

Non-handed, small size, with radius keeper, pole reversal-proof spike protection, offers high resistance to attempted uplifting, optimum adaptation to the frame profile

GU-BKS electric strike

Description	Voltage range	Order no.
Fail-secure	9–24 V AC/DC	B-92510-00-0-8
	22–26 V AC/DC	B-92510-01-0-8
Fail-secure with monitoring contact	9–24 V AC/DC	B-92510-02-0-8
	22–26 V AC/DC	B-92510-03-0-8
Fail-secure with high-preload controller	6–28 V AC/DC	B-92510-20-0-8
Fail-secure with monitoring contact and high-preload controller	6–28 V AC/DC	B-92510-21-0-8



GU-BKS electric strike ET 8 with latch slide cover Fire rated version

Performance features:

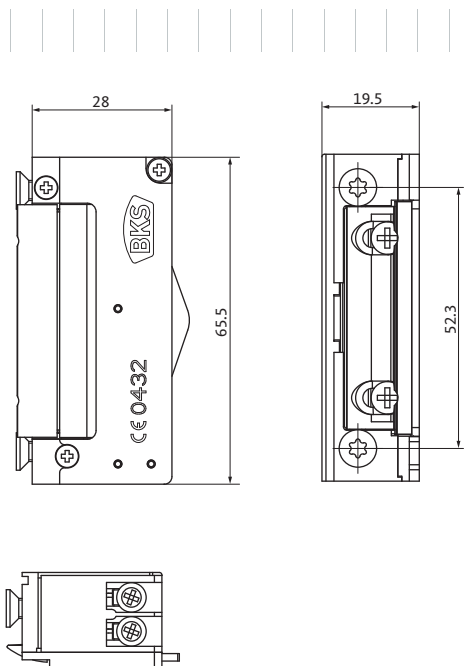
Non-handed, small size, with radius keeper, pole reversal-proof spike protection, offers high resistance to attempted uplifting, optimum adaptation to the frame profile

GU-BKS electric strike

Description	Voltage range	Order no.
Fail-secure	9–24 V AC/DC	B-92510-10-0-8
	22–26 V AC/DC	B-92510-11-0-8
Fail-secure with monitoring contact	9–24 V AC/DC	B-92510-12-0-8
	22–26 V AC/DC	B-92510-13-0-8
Fail-secure with high-preload controller	6–28 V AC/DC	B-92510-30-0-8
Fail-secure with monitoring contact and high-preload controller	6–28 V AC/DC	B-92510-31-0-8

GU-BKS electric strike ET 8 METÖ

Standard versions



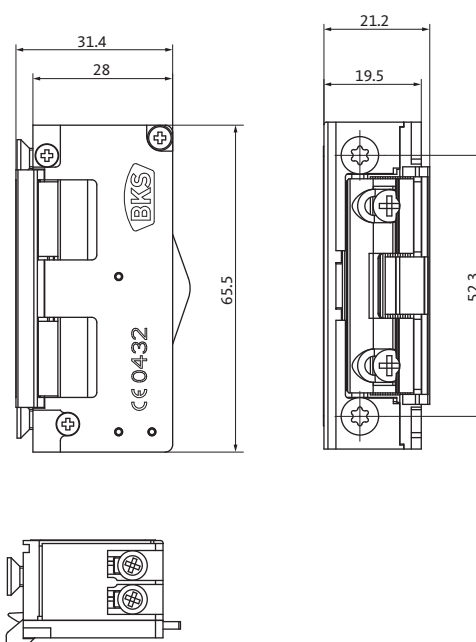
GU-BKS electric strike ET 8 METÖ for 2-leaf doors without latch slide cover

Performance features:

Non-handed, small size, with radius keeper, pole reversal-proof spike protection, offers high resistance to attempted uplifting, optimum adaptation to the frame profile

GU-BKS electric strike

Description	Voltage range	Order number
Fail-secure	9–24 V AC/DC	B-92520-20-0-8
	22–26 V AC/DC	B-92520-21-0-8
Fail-secure with monitoring contact	9–24 V AC/DC	
	DIN LH	B-92520-22-L-8
	DIN RH	B-92520-22-R-8
	22–26 V AC/DC	
	DIN LH	B-92520-23-L-8
	DIN RH	B-92520-23-R-8



GU-BKS electric strike ET 8 METÖ for 2-leaf doors with latch slide cover

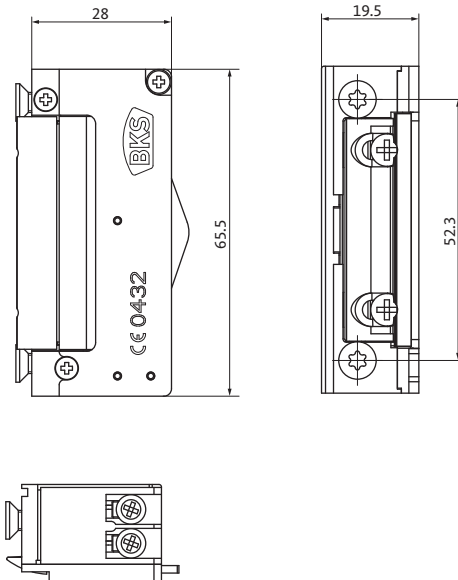
Performance features:

Non-handed, small size, with radius keeper, pole reversal-proof spike protection, offers high resistance to attempted uplifting, optimum adaptation to the frame profile

GU-BKS electric strike

Description	Voltage range	Order number
Fail-secure	9–24 V AC/DC	B-92520-00-0-8
	22–26 V AC/DC	B-92520-01-0-8
Fail-secure with monitoring contact	9–24 V AC/DC	
	DIN LH	B-92520-02-L-8
	DIN RH	B-92520-02-R-8
	22–26 V AC/DC	
	DIN LH	B-92520-03-L-8
	DIN RH	B-92520-03-R-8

For more information, please see order catalogue "GU-BKS electric strikes ET 8 (WP00310)"



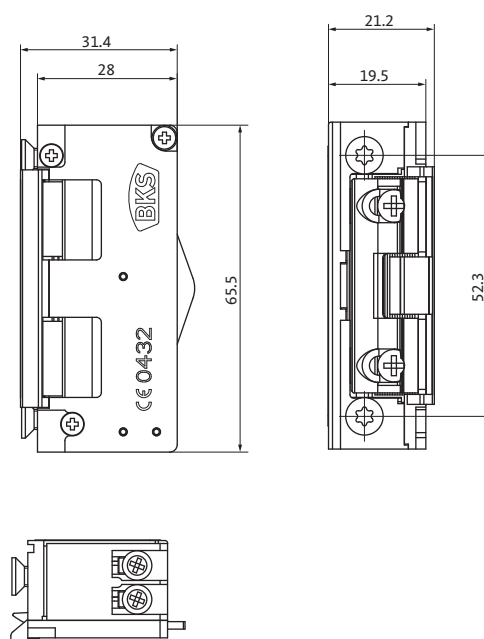
GU-BKS electric strike ET 8 METÖ for 2-leaf doors without latch slide cover Fire rated version

Performance features:

Non-handed, small size, with radius keeper, pole reversal-proof spike protection, offers high resistance to attempted uplifting, optimum adaptation to the frame profile

GU-BKS electric strike

Description	Voltage range	Order number
Fail-secure	9–24 V AC/DC	B-92520-30-0-8
	22–26 V AC/DC	B-92520-31-0-8
Fail-secure with monitoring contact	9–24 V AC/DC	
	DIN LH	B-92520-32-L-8
	DIN RH	B-92520-32-R-8
	22–26 V AC/DC	
	DIN LH	B-92520-33-L-8
	DIN RH	B-92520-33-R-8



GU-BKS electric strike ET 8 METÖ for 2-leaf doors with latch slide cover Fire rated version

Performance features:

Non-handed, small size, with radius keeper, pole reversal-proof spike protection, offers high resistance to attempted uplifting, optimum adaptation to the frame profile

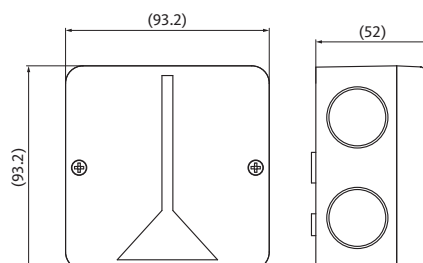
GU-BKS electric strike

Description	Voltage range	Order number
Fail-secure	9–24 V AC/DC	B-92520-10-0-8
	22–26 V AC/DC	B-92520-11-0-8
Fail-secure with monitoring contact	9–24 V AC/DC	
	DIN LH	B-92520-12-L-8
	DIN RH	B-92520-12-R-8
	22–26 V AC/DC	
	DIN LH	B-92520-13-L-8
	DIN RH	B-92520-13-R-8



I/O module

For electrically coupled panic locks B-197x/B-198x



I/O module EK

The purpose of the I/O module EK is to establish secure data transmission (bus connection) between the electrically coupled lock and actuating element.

I/O module EK

Order number

B-54900-03-3-9

Radio transmitter/Radio receiver



Radio receiver with two outputs

Radio receiver

Description	Order no.
Radio receiver	B-55280-02-0-6

Can be used with all mechatronic locks such as electrically coupled panic locks 197x, motor-driven locks 195x and SECURITY 19 with A-opener



Radio transmitter for installation in switch boxes

Radio transmitter

Description	Order no.
Radio transmitter	B-55281-03-1-9

Suitable for use, e.g., for elbow push-button or key switch



Handheld radio transmitter with one button

Handheld radio transmitter	
Description	Order no.
Handheld radio transmitter – 1 button	B-55281-01-0-9

Can be used with all motor-driven solutions of the Gretsch-Unitas group.

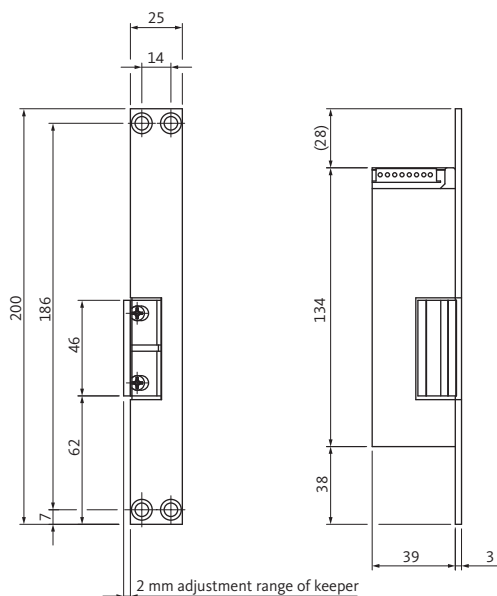


Handheld radio transmitter with four buttons

Handheld radio transmitter	
Description	Order no.
Handheld radio transmitter – 4 buttons	B-55281-02-0-9

Can be used with all motor-driven solutions of the Gretsch-Unitas group.

B 5465 electric escape door strike



B 5465 electric escape door strike (type 331), fail-safe

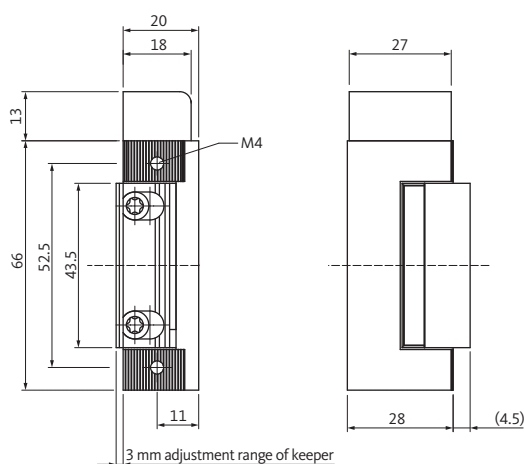
With integral monitoring and armature contact; the electric escape door strikes listed are approved locking elements in compliance with EltVTR.

Electric escape door strike

Specifications		Order number
Electric escape door strike FaFix flat striker	DIN LH	B 5465 0020
	DIN RH	B 5465 0030
Electric escape door strike FaFix angled striker	DIN LH	B 5465 0120
	DIN RH	B 5465 0130
Latch lock for electric escape door strikes	Square	B 5495 0010
	Round	B 5495 0011

Operating voltage: 24 V DC

Current consumption: 160 mA



B 5465 electric escape door strike (type 332), fail-safe

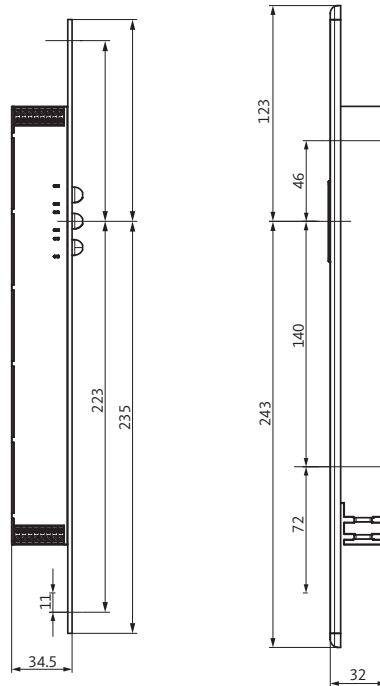
The electric escape door strike is used for the electric locking of escape doors. It is used together with an EVP electrically-locking panic lock and a FTNT10/20 escape door control unit.

Electric escape door strike

Specifications	Order number
FaFix	B 5465 0400
ProFix 2	B 5465 0402

Operating voltage: 24 V DC

Current consumption: 95 mA



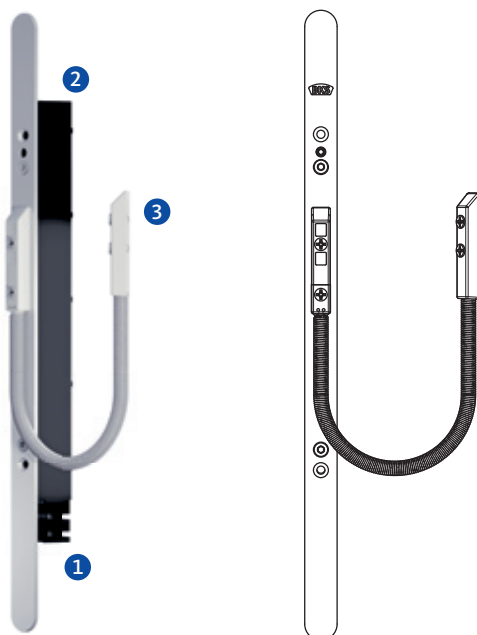
Dimensioned drawing
(example for aluminium)

SECUREconnect

More security and convenience for all mechatronic locks. SECUREconnect 200 for wireless power and data transmission between frame and door leaf – the secure energy and data transmission system is suitable for all mechatronic locks of the Gretsch-Unitas group and will be expanded in the new generation to include an access control interface for activation of fingerprint or code keypads.

SECUREconnect

Specifications	SECUREconnect 200	SECUREconnect 50
Data transmission	■	–
Power transmission	■	■
Integral power supply unit	■	■
Concealed	■	■
Detachable	■	■
Opening angle	Unlimited	Unlimited
Order number	B-55600-20-4-6	B-55600-34-4-6



Values

- ① 230 V AC, 50 HZ
- ② 24 V DC, 200 mA
- ③ 24 V DC, 1 A

Cable link with integrated power supply unit

Description	Order number
6-pin	B 5527 0200

Accessories

Faceplate variants

Specifications		Order number
20 x 350 x 2.5 mm	Round	B 5527 0210
24 x 350 x 2.5 mm	Round	B 5527 0211
20 x 350 x 2.5 mm	Square	B 5527 0214
24 x 350 x 2.5 mm	Square	B 5527 0212

Case for holding the power supply unit

Specifications	Order number
20 x 230 x 26.5 mm	B 5527 0230

Cable links



Cable link

Application:

Protection of electrical cables (frame to door leaf) with a diameter of up to 10 mm. This is required for example when using follower switch contact B 9032, electrical latch and/or deadbolt monitoring and monitored escape door locks.

The cable links protect extra-low voltage cables in doors against mechanical damage when the door is opened and closed. The concealed installation ensures protection against unauthorised access.

Cable links	
Cable links, concealed	Order number
Dimensions 24 x 260 x 17 mm/installation channel on one side/inner diameter 10 mm/opening up to 100°	6-29854-00-0-0
Dimensions 24 x 480 x 17 mm/installation channel on one side/inner diameter 10 mm/opening up to 180°	6-29942-00-0-0
Dimensions 20 x 350 x 15 mm/installation channel on one side/inner diameter 8 mm/opening up to 180°	6-30809-00-0-0
Flexible length 370 mm/without installation channel/inner diameter 10 mm/opening up to 180°	9-39237-00-0-0
Flexible length 241 mm/without installation channel/inner diameter 8 mm/opening up to 180°	9-41419-00-0-0
Cable links, face-fixed	Order number
500 mm length/white	B 5527 0100



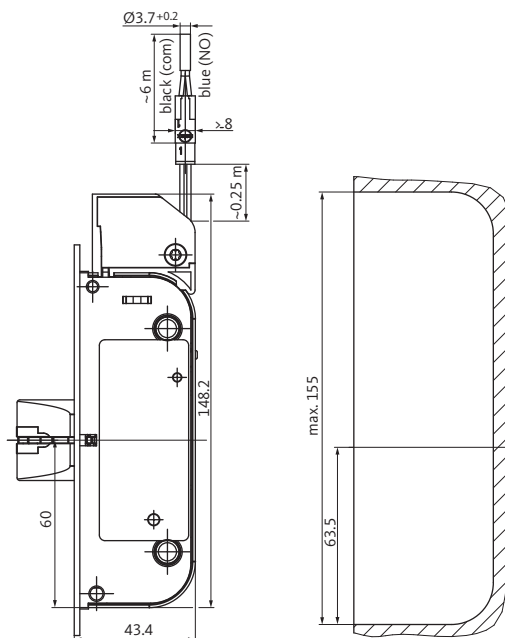
Detachable cable link

Application:

Protection of electrical cables (frame to door leaf) with a diameter of up to 10 mm. This is required for example when using follower switch contact B 9032, electrical latch and/or deadbolt monitoring and monitored escape door locks.

The cable links protect extra-low voltage cables in doors against mechanical damage when the door is opened and closed.

Cable links	
Cable link, detachable, concealed	Order number
Dimensions 24 x 490 x 18.5 mm/without installation channel/10-pole version	6-35193-00-0-8
Dimensions 24 x 519 x 17.5 mm/installation channel on one side/10-pole version	6-35194-00-0-8
Installation kit for timber doors/dimensions 24 x 18 mm (packer for timber frame)	6-35195-00-0-0



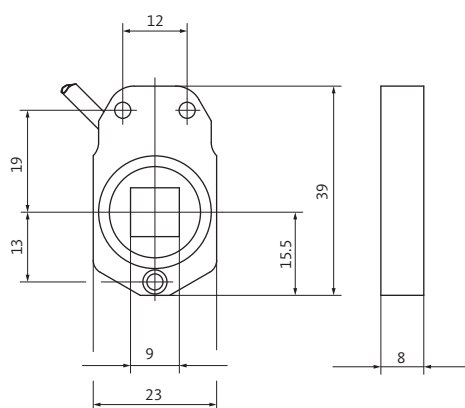
Additional locking element for SECURY multi-point lock

Latchbolt monitoring

Additional lock

Additional lock set with query	Order number
DIN left	K-16538-01-0-1
DIN right	K-16538-00-0-1

including 6 m connecting cable



B 9032 follower monitoring contact

Technical data:

- Follower: 9 mm
- Connection: opening or closing
- Current: 35 mA (max.)
- Voltage: 28 V DC (max.)

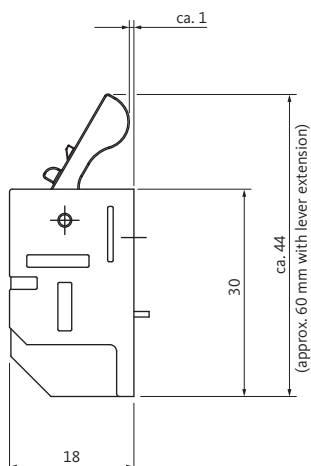
Follower monitoring contact

Function	Order number
Opener	B 9032 0000
Closer	B 9032 0001

Connecting cable

Length	Order number
4 m	B 5490 0100
8 m	B 5490 0101

Monitoring contacts/Emergency power buffer



B 9033 monitoring contact

Technical data:

- Switching contact: change-over contact
- Contact load: max. 3 W
- Current: 5–300 mA
- Approval: VdS C
- Protection code: IP67

Deadbolt monitoring contact

Order number
B 9033 0000

Deadbolt monitoring contact with plastic backing; for striker with deadbolt cutout 62 x 12.25 mm

Order number
K-19068-00-0-6



B 5490 emergency power buffer

In the event of a power failure, the emergency power buffer ensures to project the latchbolt into its locked position (obligatory for fire protection doors). The emergency power buffer blocks the electrical activation of the lock as long as no mains voltage is available. During commissioning or once the mains voltage has been restored, the lock can be activated again electrically.

Technical data:

- Casing (LxWxH): 100 x 24 x 15 mm
- Operating voltage: 24 V DC \pm 15%
- Current consumption: 1 A max.
- Standby: 30 mA max.

Emergency power buffer

Used for	Order number
A-opener	B 5490 0303

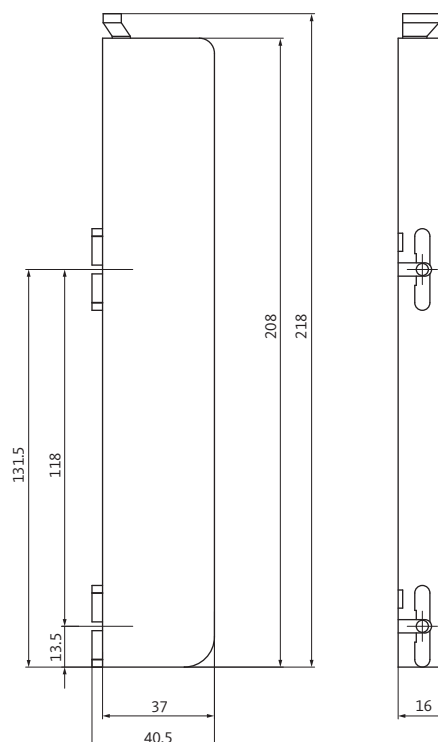


B 5490 connecting cable

Connecting cable for escape door monitoring, for deadbolt, latch and follower monitoring and for electrically coupled locks.

Connecting cable

Used for	Length	Order number
SECURY 2116 S/2119 S SECURY 2116 EVP	8 m	B 5490 0001
Series 21 Series 23	10 m	B 5490 0300
B-0615 B-1206	10 m	B 5490 0302
Replacement for A-opener connecting cable	6 m	K-15442-01-0-1



A-opener kit

for SECURY multi-point lock

Technical data:

- Nominal voltage:
12 V AC/12–24 V DC (stabilised)
- Current consumption: max. 1 A
- Protection code: IP40
- Lifting force: max. 70 N

A-opener kit

Order number

K-18153-01-0-0

including 6 m connecting cable and carrier

Optional:

B 5490 0303 emergency power buffer
(see page 418)

Door hardware for escape doors to EN 1125



Electrically-locking Touch Bar EVT	422
B-7441 touch bar	424
B-7443 touch bar with short backplate	426
Push bar with backplate	428
B-7400 push bar with backplate	430
B-7403 cranked push bar with backplate	432
Push bar sets Face-fixed panic exit devices according to EN 1125	434
Accessories	446

For more information about the lever sets, please refer to our planning guide and order catalogue: "Door hardware and handles for windows and large-format elements"



Electrically-locking Touch Bar EVT



Product information

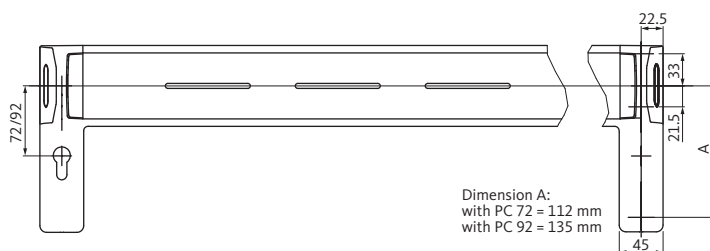
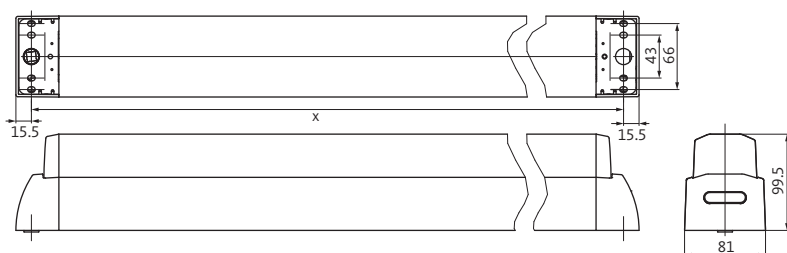
Integration of an escape door locking complying with EltVTR into a Touch Bar on 1- or 2-leaf escape doors. The LED display on the electrically-locking Touch Bar EVT clearly signals the status as "locked" or "unlocked". When locked, the door is always secured by the locking points of the panic lock. The EVT Touch Bar prevents functional impairments and/or damage of the door from attempts to gain unauthorised access

10 m connecting cable included

Technical data:

- Supply voltage of LED: 24 V DC/100 mA
- Nominal voltage: 24 V DC \pm 10%
- Current consumption: 100 mA
- Monitoring contact: 24 V DC/100 mA

Can be used in conjunction with the FTNT10/20 escape door control units. The Touch Bar can be networked via the BKS-NET door bus coupler.

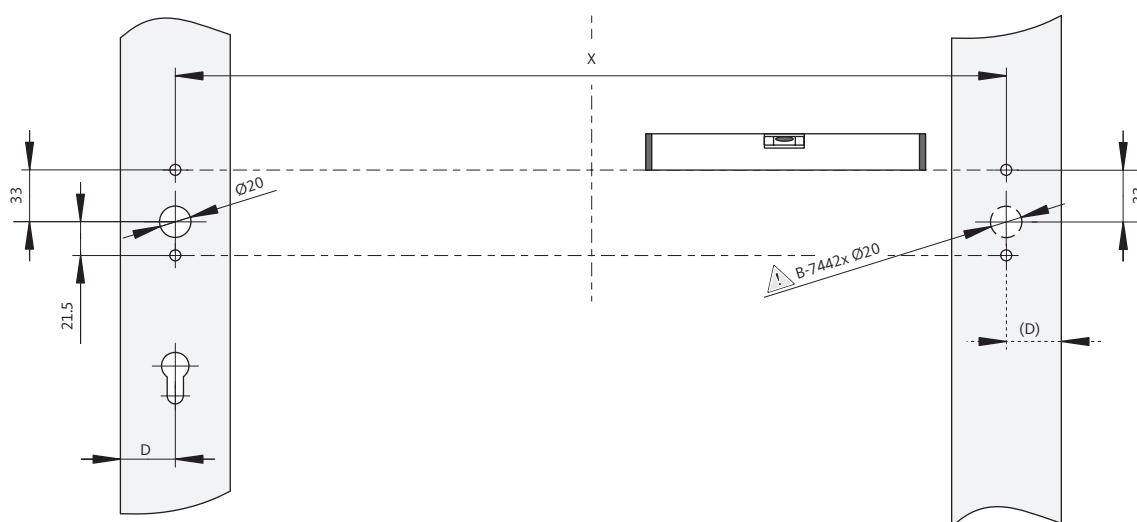


Some products in this series are suitable for



Electrically-locking Touch Bar EVT

Type of set	Order number
Active leaf/passive leaf, DIN left/right for narrow stile doors	B-7442
Active leaf/passive leaf, DIN left/right for timber and steel doors	B-7444



Please specify when ordering:

Description	Order number
Quantity [piece] _____ Piece(s)	
Active leaf	
Installation dimension X [in mm] (min. 770 mm, max. 1458 mm) _____ mm	
DIN direction	<input type="checkbox"/> Left handed <input type="checkbox"/> Right handed
Material	<input type="checkbox"/> Aluminium F1 <input type="checkbox"/> Stainless steel
Cylinder hole-type	<input type="checkbox"/> PC 72 mm <input type="checkbox"/> PC 92 mm <input type="checkbox"/> CH-RC 74 mm <input type="checkbox"/> CH-RC 94 mm B-7444
	<input type="checkbox"/> Without PC hole B-7442
Passive leaf	
Installation dimension X [in mm] (min. 770 mm, max. 1458 mm) _____ mm	
DIN direction	<input type="checkbox"/> Left handed <input type="checkbox"/> Right handed
Material	<input type="checkbox"/> Aluminium F1 <input type="checkbox"/> Stainless steel

B-7441 touch bar

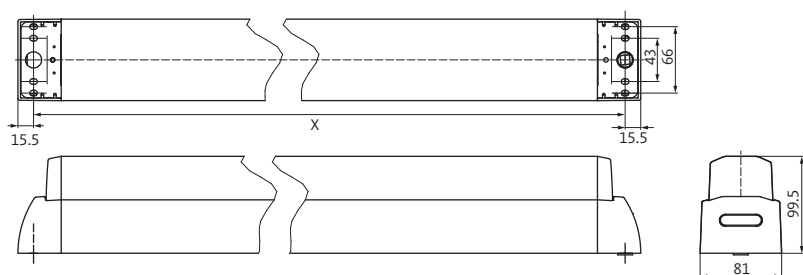


Product information

- BKS touch bar for use on smoke and fire protection doors and escape doors to DIN 18273, DIN 4102 and EN 1634
- With integral gear, 9 mm square size, and hold-up spring
- Approval to EN 1125 only in combination with approved BKS locks
- For use on active and passive door leaves
- Non-handed
- Material/Finish:
 - Satin stainless steel
 - Aluminium, F1
- Including fixing accessories

Note:

Dimension X must be specified when ordering the touch bar.



Some products in this series are suitable for



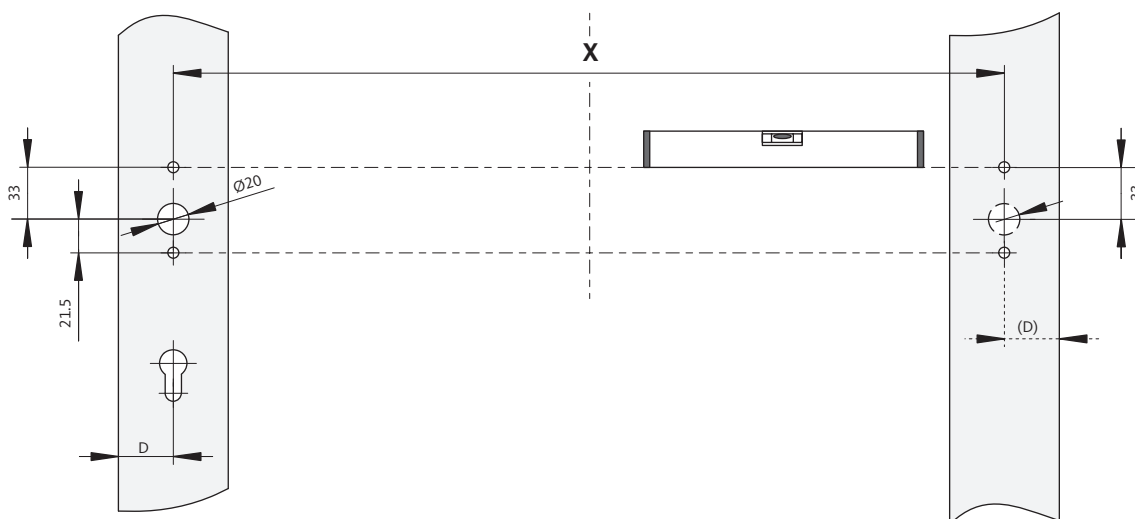
B- 7441 touch bar to EN 1125

Type of set	Dim. X	Satin stainless steel	Aluminium F1	Aluminium F1 with plastic end caps, black
Active leaf/passive leaf DIN left/right	660 [1]	B-74410-00-0-8	B-74410-00-0-1	B-74410-00-0-6
	808 mm [2]	B-74410-01-0-8	B-74410-01-0-1	B-74410-01-0-6
	1158 mm [2]	B-74410-02-0-8	B-74410-02-0-1	B-74410-02-0-6
	1458 mm [2]	B-74410-03-0-8	B-74410-03-0-1	B-74410-03-0-6

[1] Can be cropped to dimension x = 355 mm
 [2] Can be cropped to dimension x = 660 mm

PC rosette

Type of set	Backplate design	Cylinder hole-type	Satin stainless steel	Silver/EV 1 look
PC rosette	Rosette – square	PC	B-72730-10-0-8	B-72730-10-0-1
	Rosette – oval		B-72730-00-0-8	B-72730-00-0-1

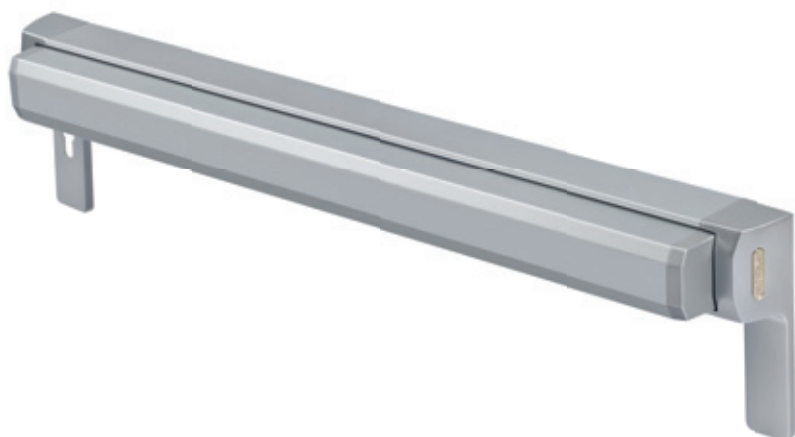


Please specify when ordering:

Description			
Quantity [piece]	_____ Piece(s)		
Active leaf			
Installation dimension X [in mm] (min. 355 mm; max. 1458 mm)	_____ mm		
DIN direction	<input type="checkbox"/> Left handed	<input type="checkbox"/> Right handed	
Material	<input type="checkbox"/> Aluminium F1	<input type="checkbox"/> Aluminium F1 [3]	<input type="checkbox"/> Stainless steel
Passive leaf			
Installation dimension X [in mm] (min. 355 mm; max. 1458 mm)	_____ mm		
DIN direction	<input type="checkbox"/> Left handed	<input type="checkbox"/> Right handed	
Material	<input type="checkbox"/> Aluminium F1	<input type="checkbox"/> Aluminium F1 [3]	<input type="checkbox"/> Stainless steel

[3] with plastic end caps

B-7443 touch bar with short backplate

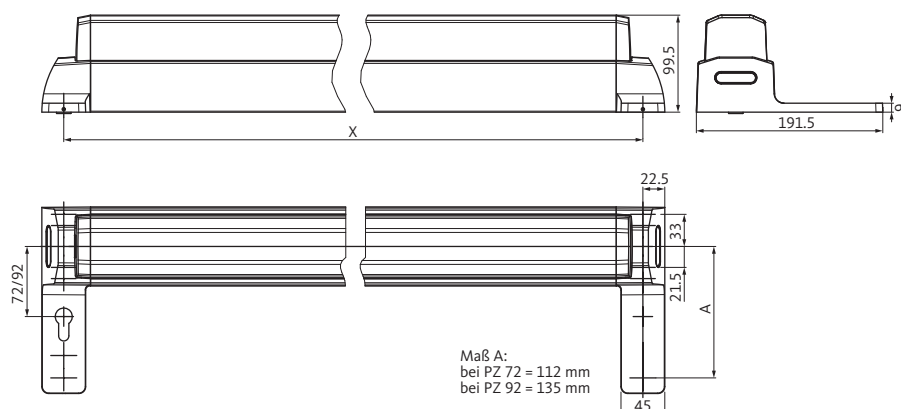


Product information

- BKS touch bar for use on smoke and fire protection doors and escape doors to DIN 18273, DIN 4102 and EN 1634
- With integral gear, 9 mm square size, and hold-up spring
- Approval to EN 1125 only in combination with approved BKS locks.
- For use on active and passive door leaves
- Non-handed
- Material/Finish:
 - Satin stainless steel
 - Aluminium, F1
- Including fixing accessories

Note:

Dimension X must be specified when ordering the touch bar.



Some products in this series are suitable for



B-7443 touch bar according to EN 1125

Type of set	Cylinder hole-type	Dim. X	Satin stainless steel	Aluminium F1
Active leaf/passive leaf DIN LH/DIN RH	Without PC hole	660 [1]	B-74430-00-0-8	B-74430-00-0-1
		808 mm [2]	B-74430-01-0-8	B-74430-01-0-1
		1158 mm [2]	B-74430-02-0-8	B-74430-02-0-1
		1458 mm [2]	B-74430-03-0-8	B-74430-03-0-1

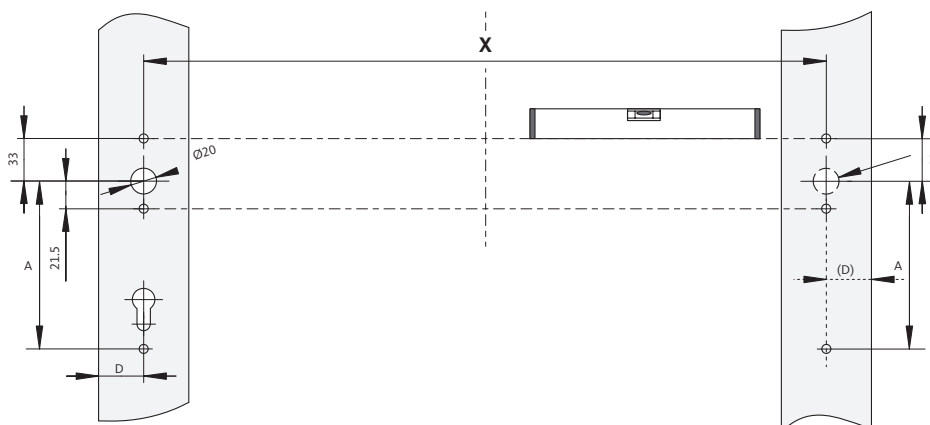
[1] Can be cropped to dimension x 355 mm
 [2] Can be cropped to dimension x 660 mm

B-7443 touch bar according to EN 1125

Type of set	Cylinder hole-type	Dim. X	Satin stainless steel		Aluminium F1	
			DIN LH	DIN RH	DIN LH	DIN RH
Active leaf DIN left or DIN right	PC 72 mm	808 mm	B-74430-11-L-8	B-74430-11-R-8	B-74430-11-L-1	B-74430-11-R-1
		1158 mm	B-74430-12-L-8	B-74430-12-R-8	B-74430-12-L-1	B-74430-12-R-1
		1458 mm	B-74430-13-L-8	B-74430-13-R-8	B-74430-13-L-1	B-74430-13-R-1

B-7443 touch bar according to EN 1125

Type of set	Cylinder hole-type	Dim. X	Satin stainless steel		Aluminium F1	
			DIN LH	DIN RH	DIN LH	DIN RH
Active leaf DIN left or DIN right	PC 92 mm	808 mm	B-74430-21-L-8	B-74430-21-R-8	B-74430-21-L-1	B-74430-21-R-1
		1158 mm	B-74430-22-L-8	B-74430-22-R-8	B-74430-22-L-1	B-74430-22-R-1
		1458 mm	B-74430-23-L-8	B-74430-23-R-8	B-74430-23-L-1	B-74430-23-R-1



Please specify when ordering:

Description		Order number
Quantity [piece]	_____ Piece(s)	
Active leaf		
Installation dimension X [in mm] (min. 355 mm; max. 1458 mm)	_____ mm	
DIN direction	<input type="checkbox"/> Left handed <input type="checkbox"/> Right handed	
Material	<input type="checkbox"/> Aluminium F1 <input type="checkbox"/> Stainless steel	
Cylinder hole-type	<input type="checkbox"/> PC 72 mm <input type="checkbox"/> PC 92 mm <input type="checkbox"/> CH-RC 74 mm <input type="checkbox"/> CH-RC 94 mm	B-7443
Passive leaf		
Installation dimension X [in mm] (min. 355 mm; max. 1458 mm)	_____ mm	
DIN direction	<input type="checkbox"/> Left handed <input type="checkbox"/> Right handed	
Material	<input type="checkbox"/> Aluminium F1 <input type="checkbox"/> Stainless steel	

Push bar with backplate

for timber, steel and narrow stile doors



Product information

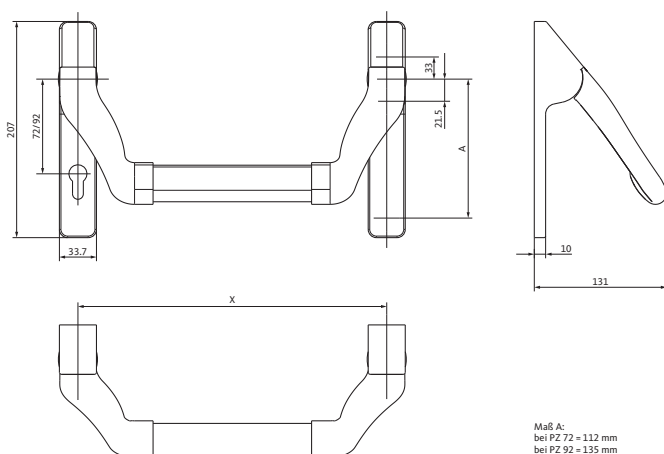
BKS push bar for use on smoke and fire protection doors and escape doors to DIN 18273, DIN 4102 and EN 1634, with integrated stainless steel drive-gear, 9 mm square size. Approval to EN 1125 only in conjunction with approved BKS locks. With hold-up spring for use on active and passive leaf, suitable for heavy doors up to 300 kg.

Cylinder hole-type: PC 72 mm, PC 92 mm, without PC hole, non-handed.

Material/Finish:

Plastic casing and lever arm (black matt), aluminium crossbar (F1)

With fixing accessories for installation with BKS short backplates (PC 72 mm) or BKS narrow stile long backplates (PC 92 mm). The crossbar must be ordered separately.



X - 115 = crossbar length

Maß A:
bei PZ 72 = 112 mm
bei PZ 92 = 135 mm



Some products in this series are suitable for



Push bar to EN 1125		
Type of set	Cylinder hole-type	PVC black, crossbar aluminium F1
Active leaf without crossbar	PC 72 mm	B 7172 5100
	PC 92 mm	B 7192 5100
	CH-RC 74 mm	B 7174 5100
	CH-RC 94 mm	B 7194 5100

Push bar to EN 1125		
Type of set	Cylinder hole-type	PVC black, crossbar aluminium F1
Passive leaf without crossbar	Dummy	B 7100 5100

Crossbar			
Type of set	Crossbar length	Max. door width	Aluminium F1
Crossbar	710 mm	810 mm	B 7100 4270
	785 mm	885 mm	B 7100 4271
	835 mm	935 mm	B 7100 4272
	960 mm	1060 mm	B 7100 4273
	1150 mm	1250 mm	B 7100 4274
	1500 mm	1600 mm	B 7100 4275

B-7400 push bar with backplate

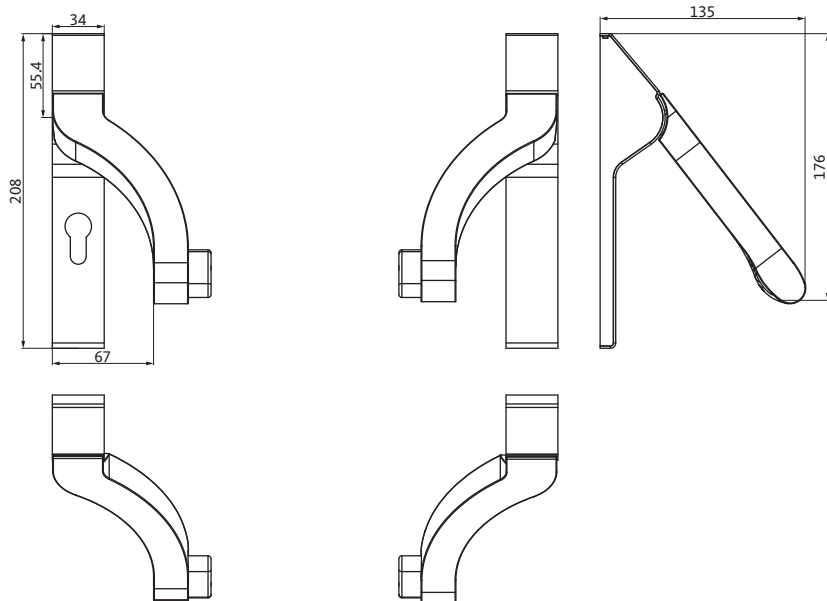


Product information

- BKS push bar for use on smoke and fire protection doors and escape doors to DIN 18273, DIN 4102 and EN 1634
- With integral gear made of stainless steel, 9 mm square size, and hold-up spring
- Approval to EN 1125 only in combination with approved BKS locks.
- For use on active and passive door leaves
- Suitable for heavy doors up to 300 kg
- Non-handed
- **Material/Finish:**
 - Satin stainless steel
 - Aluminium, F1
- Including fixing accessories
- For installation with BKS short backplates (PC 72 mm) or BKS narrow stile long backplates (PC 92 mm).

Note:

The crossbar must be ordered separately.



Some products in this series are suitable for



B-7400 push bar according to EN 1125			
Type of set	Cylinder hole-type	Satin stainless steel	Aluminium F1
Active leaf without crossbar	PC 72 mm	B-74000-10-0-8	B-74000-10-0-1N
	PC 92 mm	B-74000-30-0-8	B-74000-30-0-1N
	CH-RC 74 mm	B-74000-20-0-8	B-74000-20-0-1N
	CH-RC 94 mm	B-74000-40-0-8	B-74000-40-0-1N

B-7400 push bar according to EN 1125			
Type of set	Cylinder hole-type	Satin stainless steel	Aluminium F1
Passive leaf without crossbar	Without PC hole	B-74000-00-0-8	B-74000-00-0-1N

Push bar B-7400 to EN 1125 for security hardware			
Type of set	Cylinder hole-type	Satin stainless steel	Aluminium F1
Active leaf without crossbar	PC 72 mm	B-74000-11-0-8	B-74000-11-0-1N
	PC 92 mm	B-74000-31-0-8	B-74000-31-0-1N

Crossbar			
Type of set	Cross bar length [mm]	Satin stainless steel	Aluminium F1
Crossbar	710	B 7100 4210	B 7100 4270
	785	B 7100 4211	B 7100 4271
	835	B 7100 4212	B 7100 4272
	960	B 7100 4213	B 7100 4273
	1150	B 7100 4204	B 7100 4274
	1500	B 7100 4205	B 7100 4275

B-7403 cranked push bar with backplate

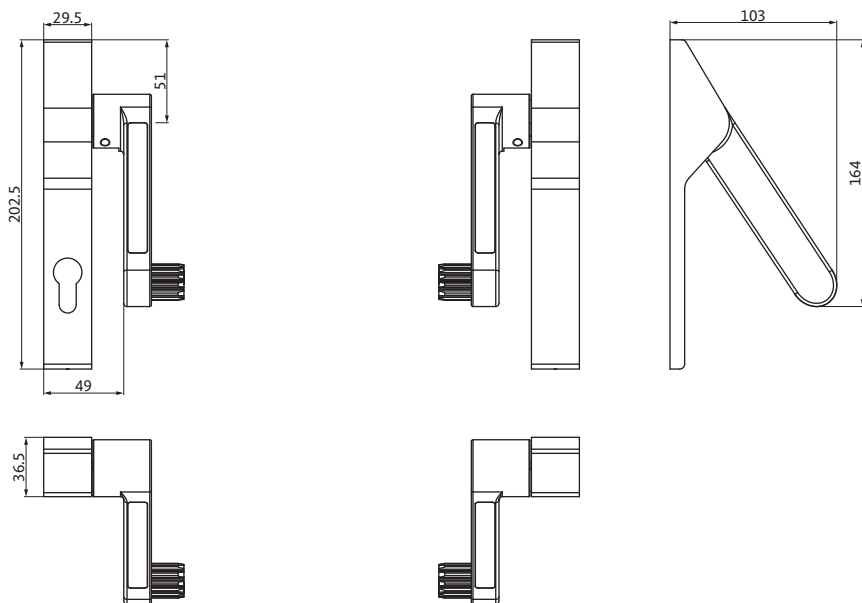


Product information

- BKS push bar for use on smoke and fire protection doors and escape doors to DIN 18273, DIN 4102 and EN 1634
- With integral gear made of stainless steel, 9 mm square size, and hold-up spring
- Approval to EN 1125 only in combination with approved BKS locks.
- For use on active and passive door leaves
- Suitable for heavy doors up to 300 kg
- Material/Finish:
 - Satin stainless steel
- Including fixing accessories
- For installation with BKS short backplates (PC 72 mm) or BKS narrow stile long backplates (PC 92 mm).

Note:

The crossbar must be ordered separately.



Some products in this series are suitable for



B-7403 push bar according to EN 1125

Type of set	Cylinder hole-type	Satin stainless steel	
		DIN LH	DIN right
Active leaf without crossbar	PC 72 mm	B-74030-10-L-8	B-74030-10-R-8
	PC 92 mm	B-74030-20-L-8	B-74030-20-R-8

B-7403 push bar according to EN 1125

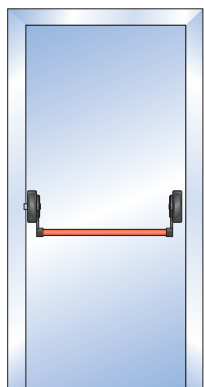
Type of set	Cylinder hole-type	Satin stainless steel
Passive leaf without crossbar	Without PC hole	B-74030-00-0-8

Crossbar

Type of set	Crossbar length	Satin stainless steel
Crossbar	650 mm	B-74090-00-0-8
	1090 mm	B-74090-04-0-8
	1440 mm	B-74090-05-0-8

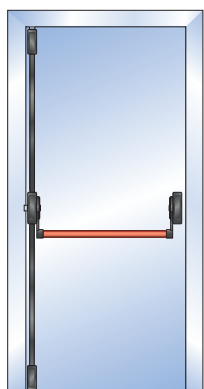
B 7130 push bar sets

Face-fixed panic exit devices according to EN 1125



Push bar with 1-point locking – no additional locking

Push bar			
For active leaf			
Cover and lever arm	Crossbar	Length	Order number
Black	Red	1150 mm	B 7130 8002
	Green		B 7130 8004
	Silver colour		B 7130 8000
Including striker			

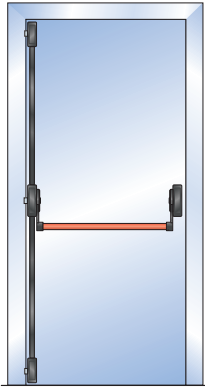


Push bar with 3-point locking – vertical locking to top and bottom

Push bar			
For active leaf			
Cover and lever arm	Crossbar	Length	Order number
Black	Red	1150 mm	B 7130 8202
	Green		B 7130 8204
	Silver colour		B 7130 8200
Including strikers and floor striker			

B 7130 push bar sets

Face-fixed panic exit devices according to EN 1125

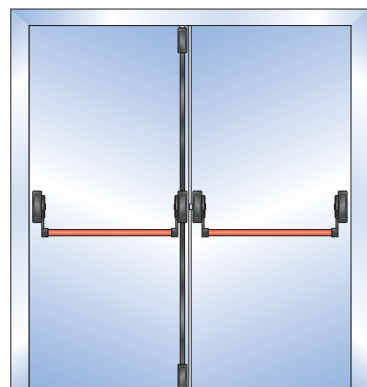


Push bar with 3-point locking – lateral locking

Push bar			
For active leaf			
Cover and lever arm	Crossbar	Length	Order number
Black	Red	1150 mm	B 7130 8302
	Green		B 7130 8304
	Silver colour		B 7130 8300
Including strikers			

B 7130 push bar sets

Face-fixed panic exit devices according to EN 1125

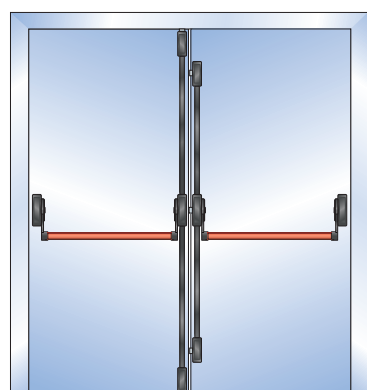


Push bar with 1-point locking on active leaf and 2-point locking on passive leaf

Push bar

For active and passive leaves				
Cover and lever arm	Crossbar	Length	Type of set	Order number
Black	Red	1150 mm	Active leaf	B 7130 8002
			Passive leaf	B 7130 8102
	Green		Active leaf	B 7130 8004
			Passive leaf	B 7130 8104
	Silver colour		Active leaf	B 7130 8000
			Passive leaf	B 7130 8100

Including strikers and floor striker



Push bar with 3-point locking on active leaf and 2-point locking on passive leaf

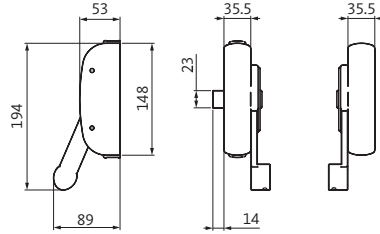
Push bar

For active and passive leaves				
Cover and lever arm	Crossbar	Length	Type of set	Order number
Black	Red	1150 mm	Active leaf	B 7130 8302
			Passive leaf	B 7130 8102
	Green		Active leaf	B 7130 8304
			Passive leaf	B 7130 8104
	Silver colour		Active leaf	B 7130 8300
			Passive leaf	B 7130 8100

Including strikers and floor striker

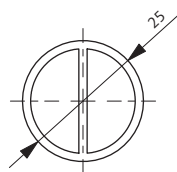
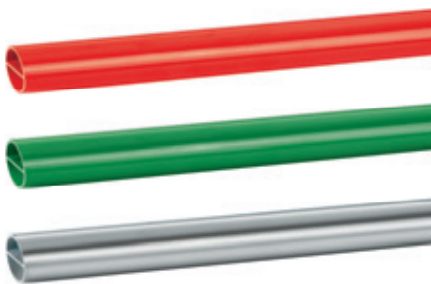
B 7130 push bar

Face-fixed panic exit devices according to EN 1125



**Push bar
with 1-point locking
– no additional locking**

Push bar		
For active leaf		
Black	Green	White
B 7130 1000	B 7130 1001	B 7130 1002
Including striker		

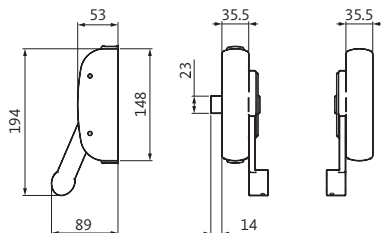


Crossbars

Crossbar		
Crossbar 1150 mm		
Red	Green	Silver colour
B 7130 7103	B 7130 7104	B 7130 7105
Crossbar 1450 mm		
Red	Green	Silver colour
B 7130 7203	–	B 7130 7205

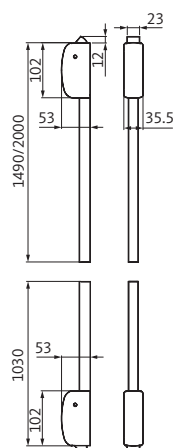
B 7130 push bar

Face-fixed panic exit devices according to EN 1125



Push bar for vertical and lateral locking

Push bar		
For active leaf		
Black	Green	White
B 7130 1200	B 7130 1201	B 7130 1202
Including striker		

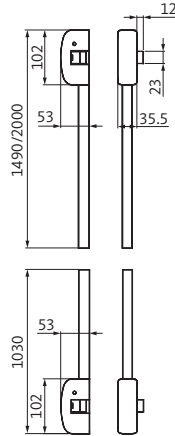


Vertical locking to top and bottom

Vertical locking to top and bottom		
Length: 1490 mm		
Black	Green	White
B 7130 4100	B 7130 4101	B 7130 4102
Length: 2000 mm		
Black	Green	White
B 7130 4110	B 7130 4111	-
Including striker and floor striker		

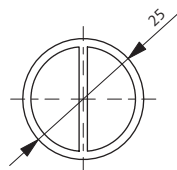
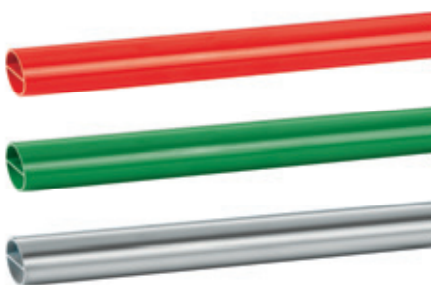
B 7130 push bar

Face-fixed panic exit devices according to EN 1125



Lateral locking

Lateral locking		
Length: 1490 mm		
Black	Green	White
B 7130 4200	B 7130 4201	B 7130 4202
Length: 2000 mm		
Black	Green	White
B 7130 4210	B 7130 4211	B 7130 4212
Including strikers		

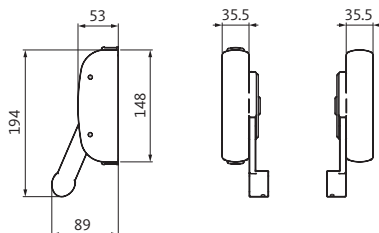


Crossbars

Crossbar		
Crossbar 1150 mm		
Red	Green	Silver colour
B 7130 7103	B 7130 7104	B 7130 7105
Type of set – crossbar 1450 mm		
Red	Green	Silver colour
B 7130 7203	–	B 7130 7205

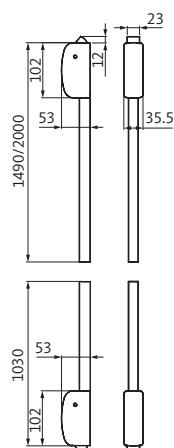
B 7130 push bar

Face-fixed panic exit devices according to EN 1125



Push bar for the passive leaf

Push bar		
For passive leaf		
Black	Green	White
B 7130 1100	B 7130 1101	B 7130 1102

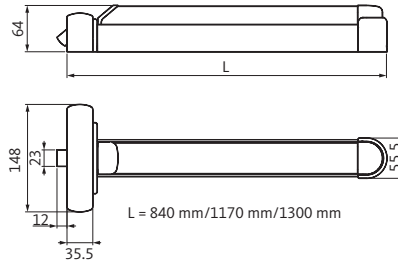


Vertical locking to top and bottom

Vertical locking to top and bottom		
Length: 1490 mm		
Black	Green	White
B 7130 4100	B 7130 4101	B 7130 4102
Length: 2000 mm		
Black	Green	White
B 7130 4110	B 7130 4111	-
Including striker and floor striker		

B 7131 touch bar

Face-fixed panic exit devices according to EN 1125



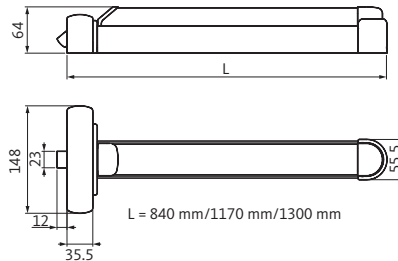
Touch bar with 1-point locking – no additional locking

Touch bar

For active leaf

Base profile	Cover profile	Length	Order number
Black	Red	840 mm	B 7131 1003
Black	Red	1170 mm	B 7131 1103
Black	Red	1300 mm	B 7131 1203
Black	Green	1170 mm	B 7131 1104
Black	Silver	840 mm	B 7131 1005
Black	Silver	1170 mm	B 7131 1105
Black	Silver	1300 mm	B 7131 1205

Including striker



Touch bar

Touch bar

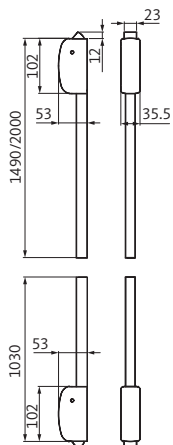
For active leaf

Base profile	Cover profile	Length	Order number
Black	Red	840 mm	B 7131 3003
Black	Red	1170 mm	B 7131 3103
Black	Red	1300 mm	B 7131 3203
Black	Green	1170 mm	B 7131 3104
Black	Silver	840 mm	B 7131 3005
Black	Silver	1170 mm	B 7131 3105
Black	Silver	1300 mm	B 7131 3205

Including striker

B 7131 touch bar

Face-fixed panic exit devices according to EN 1125



Vertical locking to top and bottom

Vertical locking to top and bottom

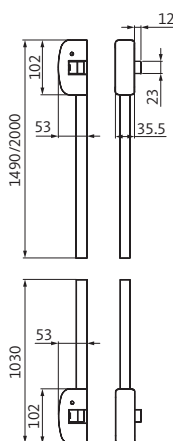
Length: 1490 mm

Black	Green	White
B 7130 4100	B 7130 4101	B 7130 4102

Length: 2000 mm

Black	Green	White
B 7130 4110	B 7130 4111	-

Including striker and floor striker



Lateral locking

Lateral locking

Length: 1490 mm

Black	Green	White
B 7130 4200	B 7130 4201	B 7130 4202

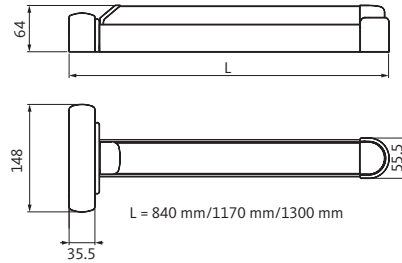
Length: 2000 mm

Black	Green	White
B 7130 4210	B 7130 4211	B 7130 4212

Including strikers

B 7131 touch bar

Face-fixed panic exit devices according to EN 1125



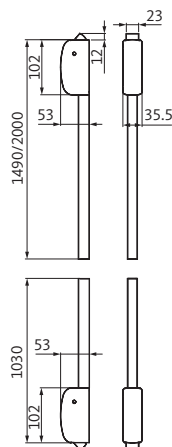
Touch bar for the passive leaf

Touch bar

For passive leaf

Base profile	Cover profile	Length	Order number
Black	Red	840 mm	B 7131 2003
Black	Red	1170 mm	B 7131 2103
Black	Red	1300 mm	B 7131 2203
Black	Green	840 mm	B 7131 2004
Black	Silver	840 mm	B 7131 2005
Black	Silver	1170 mm	B 7131 2105
Black	Silver	1300 mm	B 7131 2205

Including striker



Vertical locking to top and bottom

Vertical locking to top and bottom

Length: 1490 mm

Black	Green	White
B 7130 4100	B 7130 4101	B 7130 4102

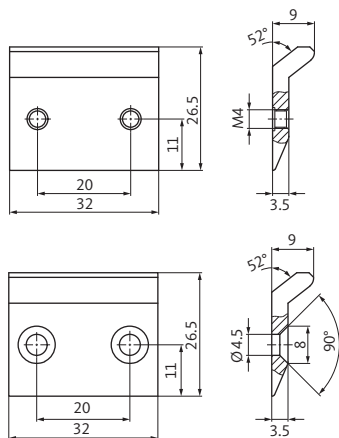
Length: 2000 mm

Black	Green	White
B 7130 4110	B 7130 4111	-

Including striker and floor striker

Accessories for B 7130 push bar/B 7131 touch bar

Face-fixed panic exit devices according to EN 1125

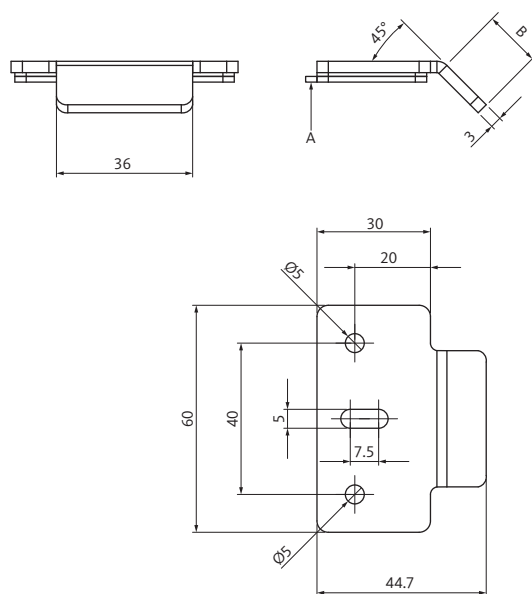


Striker for lateral and vertical locking

Striker

Order number

B 7130 6000



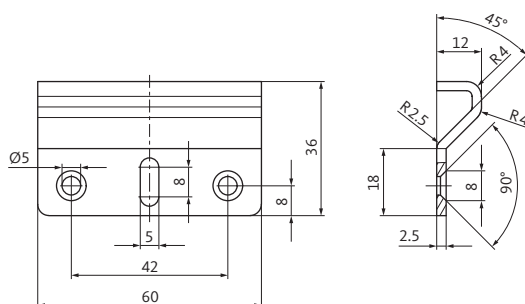
Striker for PVC

Striker

Size	A [mm]	B [mm]	Order number
1	14-17	16.9	B 7130 6010
2	17-20	21.2	B 7130 6011
3	20-23	25.4	B 7130 6012
4	23-25	29.6	B 7130 6013

Accessories for B 7130 push bar/B 7131 touch bar

Face-fixed panic exit devices according to EN 1125

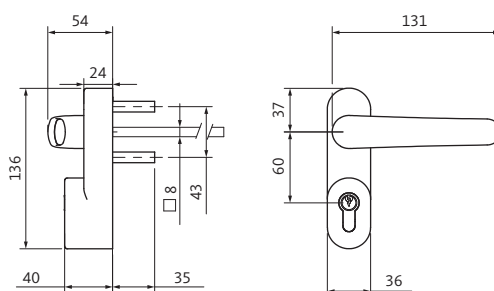


Floor striker

Floor striker

Order number

B 7130 5000



Exterior door hardware with lever handle

Exterior door hardware

Half set

Black	Green	White
B 7130 3000	B 7130 3001	B 7130 3002

Exterior door hardware with knob

Exterior door hardware

Half set

Black	Green	White
B 7130 3010	B 7130 3011	B 7130 3012

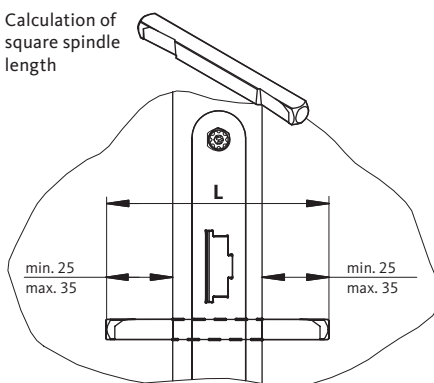
Prepared for 31 mm cylinder length

Square spindles

Door hardware



Calculation of square spindle length



B-7840 spindle

Versions/order numbers	
Square size	Order number*
8 mm	B-78400-0 □ -0-1
9 mm	B-78400-1 □ -0-1
□	Length in mm (L)
5	50 (only square size 9)
8	65 (only square size 9)
9	70 (only square size 9)
B	80 (only square size 9)
D	90 (only square size 9)
F	100
I	115
L	130
O	145
R	160 (only square size 9)
W	190 (only square size 9)

***Ordering example**

B-7840 spindle

Square size 8 mm = B-78400-0 □ -0-1

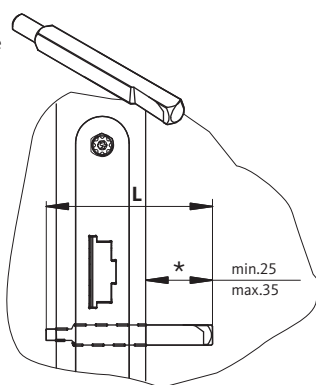
Length (L) 100 mm = F [refer to table]

Length in mm (L)

B-78400-0 □ -0-1 = **order number** B-78400-0F-0-1



Calculation of square spindle length



*Push bar: min. 7 | max. 10

*Touch bar: min. 15 | max. 20

B-7841 entrance set spindle

Versions/order numbers	
Square size	Order number*
8 mm	B-78410-0□-0-1
9 mm	B-78410-1□-0-1
8.5 to 8 mm	B-78410-2□-0-1
9 to 8 mm	B-78410-3□-0-1
10 to 8 mm	B-78410-4□-0-1
□	Length in mm (L)
5	50 (only square size 9)
7	60 (only square size 9)
9	70
A	75 (not square size 9/8)
C	85
E	95 (not square size 9/8)
F	100 (not square size 9/8)
G	105 (not square size 9/8)
I	115
M	135 (not square size 9/8)
O	145 (only square size 9)

***Ordering example**

B-7841 entrance set spindle

Square size 8 mm = B-78410-0 □ -0-1

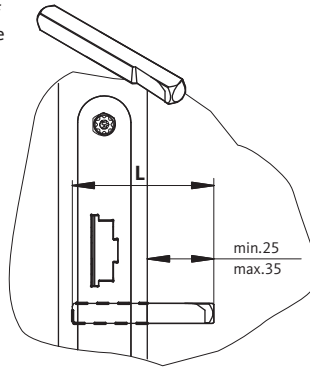
Length (L) 95 mm = E [refer to table]

Length in mm (L)

B-78410-0 □ -0-1 = **order number** B-78400-0E-0-1



Calculation of square spindle length



B-7842 half spindle

Versions/order numbers

Square size	Order number*
8 mm	B-78420-0□-0-1
9 mm	B-78420-1□-0-1
8.5 to 8 mm	B-78420-2□-0-1
9 to 8 mm	B-78420-3□-0-1
10 to 8 mm	B-78420-4□-0-1
□	Length in mm (L)
5	50
6	55 (only square size 8 and 9)
7	60
8	65 (only square size 8 and 9)
9	70
B	80

*Ordering example

B-7842 half spindle

Square size 8 mm = B-78420-0 □ -0-1

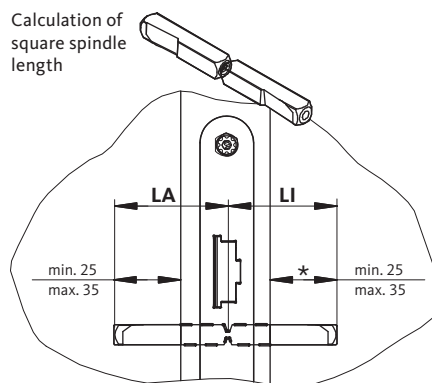
Length in mm (L) 50 mm = 5 [refer to table]

Length (L)

B-78420-0 □ -0-1 = order number B-78400-05-0-1



Calculation of square spindle length



*Push bar: min. 7 | max. 10

*Touch bar: min. 15 | max. 20

B-7843 split spindle

Versions/order numbers

Square size		Order number*	
9 mm		B-78430-□□-0-1	
□	Inside length (LI) [mm]	□	Outside length (LA) [mm]
0	25	-	-
1	30	-	-
2	35	-	-
3	40	-	-
4	45	4	45
5	50	5	50
6	55	6	55
7	60	7	60
8	65	8	65
9	70	9	70
A	75	A	75
B	80	B	80
-	-	C	85
-	-	D	90
E	95	E	95
-	-	G	105
-	-	K	160

*Ordering example

B-7843 split spindle

Square size 9 mm = B-78430-□□-0-1

Inside length (LI) 95 mm = E [refer to table] | Outside length (LA) 95 mm = E [refer to table]

Inside length (LI)

Outside length (LA)

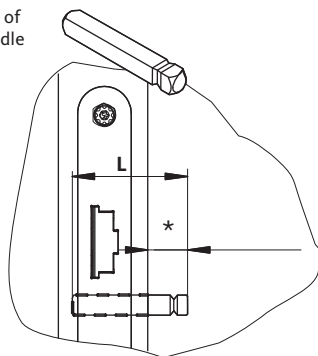
B-78430-□ □ -0-1 = order number B-78430-EE-0-1

Square spindles/Screws

Door hardware



Calculation of square spindle length



*Push bar: min. 7 | max. 10

*Touch bar: min. 15 | max. 20

B-7844 special spindle
for use with push bar
and touch bar

Versions/order numbers

Square size	Order number*
9 mm	B-78440-1 □ -0-1
□	Length in mm (L)
1	30
2	35
3	40
4	45
5	48
6	55
8	65
9	70

*Ordering example

B-7844 special spindle

Square size 9 mm = B-78440-1 □ -0-1

Length in mm (L) 55 mm = 6 [refer to table]

Length (L)

B-78440-1 □ -0-1 = **order number** B-78400-16-0-1

B-7850 fixing screw



Stainless steel countersunk screw M5
with Torx 25 drive
and screw-locking system

Versions/order numbers

Countersunk screw			
Dimensions [mm]	Door thickness [mm]	PU	Order number
M5 x 16	-	10	B-78500-01-0-8
M5 x 20	-	10	B-78500-02-0-8
M5 x 25	-	10	B-78500-03-0-8
M5 x 30	-	10	B-78500-04-0-8
M5 x 35	37-42	10	B-78500-05-0-8
M5 x 40	42-52	10	B-78500-06-0-8
M5 x 50	52-62	10	B-78500-08-0-8
M5 x 60	62-72	10	B-78500-09-0-8
M5 x 70	72-82	10	B-78500-0A-0-8
M5 x 80	82-92	10	B-78500-0B-0-8
M5 x 90	92-102	10	B-78500-0C-0-8
M5 x 100	102-117	10	B-78500-0D-0-8
Bush		PU	Order number
Dimensions		PU	Order number
M5 x 30		10	B-78510-00-0-1



Fixing accessories for security hardware

Versions/order numbers

Designation	Door thickness [mm]	Order number
Fixing accessories ES 3 security hardware	39-54	B 7660 0070
	54-69	B 7660 0071
	69-84	B 7660 0072
	84-94	B 7660 0073
	94-114	B 7660 0078

Contents: fixing screws and assembly tool; square spindles must be ordered separately

Versions/order numbers

Designation	Door thickness [mm]	Order number	
Fixing accessories ES 1 security hardware	Lever sets B-75020	55-65	B-78700-05-0-0
	Entrance sets B-75320	55-65	B-78700-06-0-0

Contents: fixing screws and 9 mm square spindle



B 9032 monitoring contact for push bar

Versions/order numbers

Designation	Order number	
	DIN left	DIN right
Monitoring contact for push bar	B 9032 0100	B 9032 0101

- 8 m connecting cable included
- Contact load: 30 V DC/100 mA

Escape door security



Escape door control units

FTNT10 escape door control units	452
FTNTAP on-wall escape door control units	454
IO10 on-wall / IO5 in-wall I/O modules	456
FTNT10/FTNT20 escape door control units	457
ST10/ST20 spring-operated key switches	457
B 5580 code keypad	458

Locking elements

Electric escape door strike460	
Magnetic locks	461

Accessories for escape door control units

On-wall housings/frames/covers	462
Power supply units/Accessories	463

Visualisation

BKS-NET panel464	
BKS-NET system software	466

System management

BKS-NET system management	468
Bus components	469

FTNT10 escape door control units



Fig. 2 section-set (Jung AS500)



Fig. 3-section set (Jung LS990)

FTNT10 terminal sets

Set consisting of:

- FTNT10 escape door control unit with integral emergency push-button
- ST10 spring-operated key switch
- 2-section set without power supply unit for external voltage supply (24 V DC/100 mA)
- 3-section set with integrated, in-wall power supply unit 230 V AC/24 V DC, 0.5 A for connection of one EVP lock, one magnetic lock or up to 2 electric escape door strikes
- For installation in standard flush boxes (depth 61 mm)



FTNT10 escape door control unit				
Sets	2-section AS500	3-section AS500 Including in-wall power supply unit	2-section LS990	3-section LS990 Including in-wall power supply unit
Stainless steel look	-	-	B 5580 0981	B 5580 0982
Alpine white	B 5580 0973	B 5580 0974	B 5580 0971	B 5580 0972

Locking cylinders	
Specifications	Order number
Profile half cylinder PZ 88 (31 mm, including 3 keys)	B 8900 0101

FTNTAP on-wall escape door control units



FTNTAP10 on-wall escape door terminal

Consisting of:

- Escape door control unit with
 - integral emergency push-button
 - integral key switch
 - integral power supply unit
100–230 V AC/24 V DC, 0.5 A

for connection of one EVP lock, one magnetic lock or up to 2 electric escape door strikes

- Freely programmable inputs/outputs
 - number of inputs and outputs can be extended via IO10 and IO5 I/O modules
- Networkable via BKS-NET door bus
- Protection code: IP20
- Dimensions:
210 mm x 75 mm x 60 mm
- On-wall mounting
- For profile half cylinder (length = 31 mm/35 mm) or Swiss round profile-cylinder Ø 22 mm, 37.5 mm (the cylinder and terminal must be ordered separately)



FTNTAP10 on-wall escape door terminal

FTNTAP10 on-wall escape door terminal (for profile cylinder)	Finish	Order number
FTNTAP10 on-wall escape door terminal (for profile cylinder)	Plastic, green	B 5580 0122
FTNTAP10 on-wall escape door terminal (for profile cylinder)	Plastic, white	B 5580 0124
FTNTAP10 on-wall escape door terminal (for profile cylinder)	Stainless steel	B 5580 0120
FTNTAP10 on-wall escape door terminal (for CH-RC)	Finish	Order number
FTNTAP10 on-wall escape door terminal (for CH-RC)	Stainless steel, green	B 5580 0132
FTNTAP10 on-wall escape door terminal (for CH-RC)	Stainless steel	B 5580 0130

Escape door terminal, on-wall, IP54 (weatherproof)

Specifications	Finish	Order number
Weatherproof escape door terminal, on-wall, IP54 (without power supply unit/control unit)	Stainless steel, green	B 5580 0350

(Note: other housing shown; also required: FTNT20 and I/O module IO5)

Locking cylinders

Specifications	Order number
Profile half cylinder PZ 88 (31 mm, including 3 keys)	B 8900 0101

I/O module IO10 on-wall/IO5 in-wall



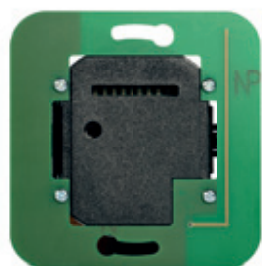
IO10 on-wall I/O module

Advantages and technical features:

- 4 freely-programmable inputs each with status LED
- 4 freely-programmable outputs each with status LED
- Up to 2 I/O modules per door (address setup via jumper)
- Connection to escape door control unit via 2-wire BKS-NET door bus
- Housing included
- Operating voltage 24 V, nominal current 100 mA
- Protection code: IP65

Each I/O module is connected to an escape door control unit via the 2-wire BKS-NET door bus. Thus, 4 additional, freely programmable inputs and outputs each are available to integrate various systems of technical building equipment (e.g. swing door drive, motor-driven lock, external signalling, video monitoring, access control, intercom).

I/O module	
Module	Order number
IO10 on-wall I/O module	B 5580 0321



IO5 in-wall I/O module

Advantages and technical features:

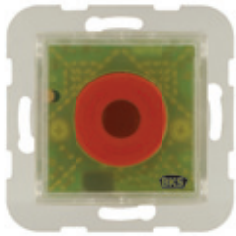
- 1 freely-programmable input with status LED
- 2 freely-programmable outputs each with status LED
- Connection to escape door control unit via 2-wire BKS-NET door bus
- Operating voltage 24 V, nominal current 100 mA

Each I/O module is connected to an escape door control unit via the 2-wire BKS-NET door bus. Additional freely-programmable inputs and outputs are therefore available for integration of various systems of technical building equipment (e.g. swing door drive, motor-driven lock, external signalling, video monitoring, access control, intercom).

I/O module	
Module	Order number
IO5 in-wall I/O module	B 5580 0322



FTNT10/FTNT20 escape door control units ST10/ST20 spring-operated key switch



FTNT10/FTNT20 escape door control units

Advantages and technical features:

- Door release button next to the door (FTNT10)
- Second emergency push-button for opening both door leaves (FTNT20)
- Approved in accordance with EltVTR
- For installation in standard flush boxes (61 mm depth)
- Nominal voltage: 24 V DC (– 15% + 10%)
- Nominal current consumption: 80 mA
- Protection class: IP20

Escape door control units

Specifications	Order number
FTNT10 escape door control unit with integral emergency button	B 5580 0111
FTNT20 escape door unit with integral emergency button	B 5580 0112
FT25 escape door control unit w/o flush-mounted emergency button	B 5580 0115

Note: compatible with various wall switch ranges

Mounting adaptors for FTNT10/20 from 55 to 70 (Jung LS990)

Specifications	Order number
Stainless steel look	B 5858 0083
Alpine white	B 5858 0073

Accessories for FTNT10/20

Specifications	Order number
Replacement cover for emergency button, plastic	B 5580 0802



ST10 (without LEDs)



ST20 (with LEDs)

ST10/ST20 spring-operated key switch

Advantages and technical features:

- Without LEDs (ST10 spring-operated key switch)
- With LEDs (ST20 spring-operated key switch)
- For half cylinders, length 27/31 mm
- Nominal voltage: 12–24 V DC (– 15%/+ 10%)
- Nominal current consumption: 25 mA
- Protection class: IP20
- Without locking cylinder, frame and cover

Spring-operated key switch

Specifications	Order number
ST10 spring-operated key switch	B 5580 0311
ST20 spring-operated key switch	B 5580 0312

Note: Locking cylinders, frames and covers must be ordered separately

Matching covers for spring-operated key switch

Jung LS990	ST10	ST20
70 mm cover, alpine white	B 5858 0971	B 5858 0972
70 mm cover, stainless steel look	B 5858 0981	B 5858 0982
Jung AS500	ST10	ST20
55 mm cover, alpine white	B 5858 0873	B 5858 0874

Suitable locking cylinder

Specifications	Order number
Half cylinder, series 88 (31 mm, including 3 keys)	B 8900 0101



B 5580 code keypad



B 5580 code keypad

Advantages and technical features:

- Code keypad as an alternative to a spring-operated key switch
- Convenient operation of the escape door control units using individual codes
- 2 relays/2 codes – one each for releasing and locking
- Voltage supply: 24 V DC \pm 10%
- Protection code: IP20
- Flush mounting; delivery for 55 mm range of switches
- Intermediate frames from 55 to 70 are required for the 70 mm range of switches (not included in delivery)

The code keypad can be connected instead of or parallel to the spring-operated key switch (ST10) to the in-wall escape door control units (FTNT10/FTNT20). The escape door is unlocked or locked using codes that are freely definable.

Code keypad

Specifications	Order number
Code keypad, stainless steel look	B 5580 0331
Code keypad, alpine-white	B 5580 0332



Electric escape door strike



B 5465 electric escape door strike (type 331) – fail-safe with integrated monitoring and armature contact

The electric escape door strike is used for the electric locking of escape doors. It is used together with the FTNT10/20 escape door control unit on 2-leaf doors. In conjunction with the B 5495 0010 latch lock, the electric strike locks the door additionally to the panic lock. The door can always be opened in an emergency by pressing the emergency push-button next to the door. This is always possible – even if the door leaf is loaded with a force of 5000 N. The locked status of the door is monitored by a built-in monitoring contact. The electric escape door strikes listed are approved locking elements in accordance with EltVTR.

Electric escape door strike

Specifications		Order number
FaFix electric escape door strike Flat striker (24 V, 160 mA)	DIN LH	B 5465 0020
	DIN RH	B 5465 0030
FaFix electric escape door strike Angled striker (24 V, 160 mA)	DIN LH	B 5465 0120
	DIN RH	B 5465 0130
Latch lock for electric escape door strikes	Square	B 5495 0010
Latch lock for electric escape door strikes	Round	B 5495 0011



B 5465 electric escape door strike (type 332) – fail-safe

The electric escape door strike is used for the electric locking of escape doors. It is used, for example, together with an electrically-locking panic lock EVP and the FTNT10 or FTNT20 escape door control unit.

Electric escape door strike

Specifications	Order number
FaFix electric escape door strike	B 5465 0400
ProFix 2 electric escape door strike	B 5465 0402
Latch lock for electric escape door strikes (square)	B 5495 0010
Latch lock for electric escape door strikes (round)	B 5495 0011

Operating voltage: 24 V DC
Current consumption: 95 mA



Magnetic lock 5 kN

The magnetic lock is used for the electric locking of escape doors. It is used together with the FTNT10/20 escape door control unit. The magnetic lock locks the door in addition to the panic lock with a holding force of 5000 N. Emergency opening is always possible by pressing the emergency push-button installed next to the door. A built-in sensor measures the effective holding force, thus monitoring the locked status of the door. The magnetic locks offered are approved locking elements in accordance with EltVTR. When using a magnetic lock, we recommend using an additional door contact set (see accessories page 463).

Magnetic locks	
Magnetic lock 5 kN	Order number
5 kN magnetic lock set for escape doors including armature plate, L-bracket with aluminium cover, for flush doors (24 V, 250 mA)	B 5464 0000
5 kN magnetic lock set for escape doors including armature plate, Z-bracket with aluminium cover, for flush doors (24 V, 250 mA)	B 5464 0001
Stainless steel cover for 5 kN magnetic lock (L-bracket)	B 5495 0077
Stainless steel cover for 5 kN magnetic lock (Z-bracket)	B 5495 0078



Magnetic lock 2 kN

The magnetic lock is used for the electric locking of escape doors. It is used together with the FTNT10/20 escape door control unit. The magnetic lock locks the door in addition to the panic lock with a holding force of 2000 N. The emergency opening is always possible by pressing the emergency push-button installed next to the door. A built-in sensor measures the effective holding force, thus monitoring the locked status of the door. The magnetic locks offered are approved locking elements in accordance with EltVTR. When using a magnetic lock, we recommend using an additional door contact set (see accessories page 463).

Magnetic locks	
Magnetic lock 2 kN	Order number
2 kN magnetic lock set for escape doors including armature plate, L-bracket with aluminium cover, for flush doors (24 V, 250 mA)	B 5464 0010
2 kN magnetic lock set for escape doors including armature plate, Z-bracket with aluminium cover, for flush doors (24 V, 250 mA)	B 5464 0011
Stainless steel cover for 2 kN magnetic lock (L-bracket)	B 5495 0087
Stainless steel cover for 2 kN magnetic lock (Z-bracket)	B 5495 0088

On-wall housings/frames/covers



Surface-mounted housing

Surface-mounted housing	
Specifications	Order number
1-section on-wall housing, stainless steel	B 5858 0691
2-section on-wall housing, stainless steel	B 5858 0692
3-section on-wall housing, stainless steel	B 5858 0693
4-section on-wall housing, stainless steel	B 5858 0694



AS500



LS990

Frames/Covers

Frames and covers		
Frame	AS500 (55 mm)	LS990 (70 mm)
1-section frame, stainless steel look	-	B 5858 0481
2-section frame, stainless steel look	-	B 5858 0482
3-section frame, stainless steel look	-	B 5858 0483
4-section frame, stainless steel look	-	B 5858 0484
1-section frame, alpine white	B 5858 1071	B 5858 0471
2-section frame, alpine white	B 5858 1072	B 5858 0472
3-section frame, alpine white	B 5858 1073	B 5858 0473
4-section frame, alpine white	B 5858 1074	B 5858 0474
Dummy covers (e.g. for in-wall PSU or in-wall bus coupler)	AS500 (55 mm)	LS990 (70 mm)
Dummy cover, stainless steel lock	-	B 5858 0080
Dummy cover, alpine white	B 5858 0074	B 5858 0070



Power supply units

Power supply units	
Specifications	Order number
Switching power supply with mains cable 24 V DC/1 A	B 5494 0004
Switching power supply for in-wall installation 24 V DC/0.75 A	B 5494 0006
Switching power supply for mounting on top-hat rail 24 V DC/4.2 A	B 5570 0401
Switching power supply for mounting on top-hat rail 24 V DC/1.3 A	B 5570 0402
Housing for top-hat rail power supply units	B 5570 0411



Accessories

Accessories	
System cable	Order number
BKS-NET system cable with 2 plugs	B 5580 0812
BKS-NET system cable with 3 plugs	B 5580 0810
BKS-NET system cable with 4 plugs	B 5580 0811
Emergency-push button stickers	Order number
Set of replacement stickers for emergency-push button (10 pieces)	B 5491 0000
Programming cable	Order number
USB programming cable (for optional programming of FTNT10/20 and BK10 via the PC)	B 5580 0813
Door contact	Order number
Door contact set, white (VdS B, 6 m cable)	B 5469 0010
Installation channel set (for B 5469 0010 door contact)	B 5469 0051
Spacer set (for B 5469 0010 door contact)	B 5469 0052

BKS-NET panel



BKS-NET panel

The BKS-NET panel visualises the status of several doors in a building. An authorised operator can control every door conveniently using a finger – without mouse or keyboard.

Features and benefits provided by the BKS-NET panel:

- Visualises all door statuses of a building at a glance
- Automatically recognises all BKS-NET building bus participants
- Door control with a touch of the finger, no keyboard or mouse required
- Quick start-up: self-configuring pre-programmed software
- No extra costs for operating systems or additional servers
- Intuitive user interface
- Designed for continuous operation – no moving parts such as a hard disk or a ventilator
- Connection to BKS-NET bus coupler via USB or network (TCP/IP)

Functions:

- Collective display for several doors
- Unlocking/locking of individual doors
- Locking/unlocking of door groups
- Alarm display/processing/acknowledgement
- Password-protected login, multi-step authorisation process

Technical data:

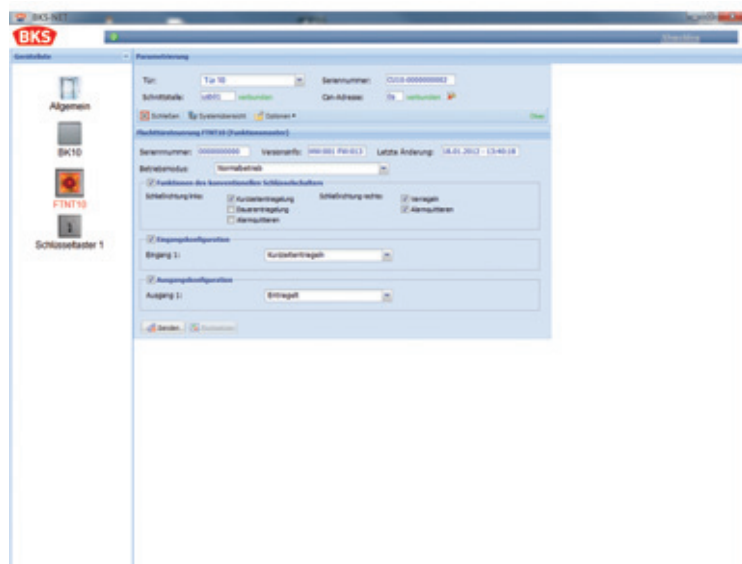
- Case dimensions: 304 x 246 x 50 mm (W x H x D)
- Power consumption: 32 W
- Protection code (front): IP64
- Display: touch screen 12.1"
- Software: pre-installed

Note:

For connecting a panel to the BKS-NET building bus, a CU10 or CE10 building bus coupler is required.

BKS-NET panel	
Product	Order number
BKS-NET panel with pre-installed software, licence included, for max. 8 doors (without collective display)	B 5580 0611
Licence upgrade for article B 5580 0611 up to max. 16 doors (incl. collective display)	B 5580 0621
Licence upgrade for article B 5580 0611 up to max. 32 doors (incl. collective display)	B 5580 0622
Licence upgrade for article B 5580 0611 up to max. 64 doors (incl. collective display)	B 5580 0623

BKS-NET system software



CF10 configuration software

BKS-NET system software CF10 configuration software

All BKS-NET-capable products can be programmed and visualised via the same user interface using the BKS-NET system software. Programming and visualisation of both individual doors and complex bus systems is therefore possible via the user interface.

Advantages:

- Fully automatic recognition of all technical products connected
 - of a door
 - of an entire system
- Intuitive user interface
- Self-learning user interface
- Compatible with all BKS-NET capable products
- Local parameter setting via USB
- Decentralised parameter setting via network (TCP/IP) or building bus

BKS-NET system software

Software products	Order number
BKS-NET system software including CF10 configuration software (CD) and USB cable	B 5580 0511





OV10 online visualisation module

BKS-NET system software OV10 online visualisation module

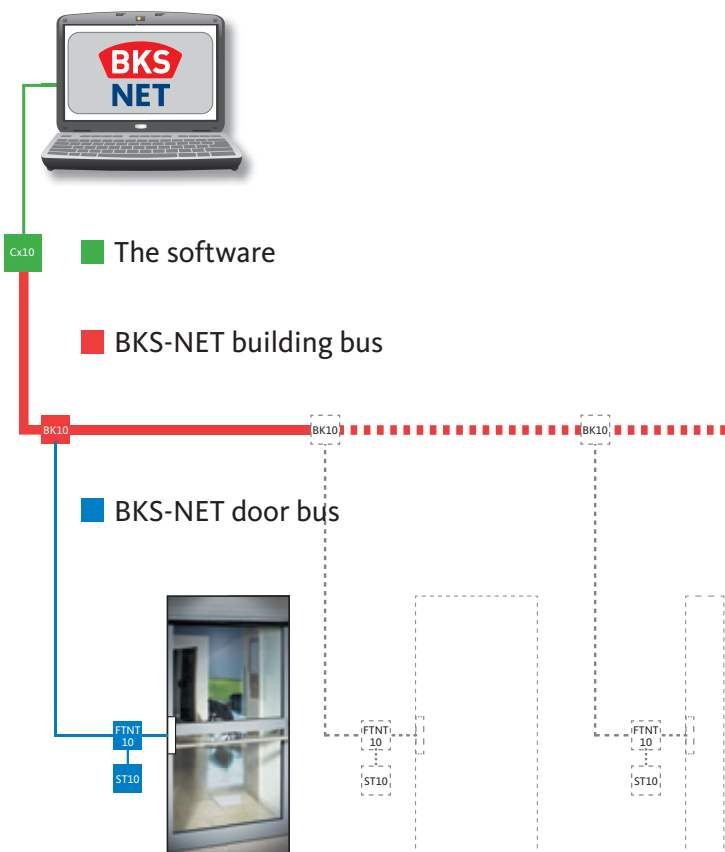
Advantages:

- Intuitive user interface
- Individual allocation of authorisations
- Control of all BKS-NET-capable products connected
- Real-time visualisation of door statuses
- Integration of any floor plans or graphics
- Alternative to panels
- Networkable
- Definition of higher-level switching groups
- Modern browser interface

BKS-NET system software

Software products	Order number
OV10 online visualisation module Licence	B 5580 0521

BKS-NET system management



The system

BKS-NET networks the electromechanical systems of GU group using modern bus communication, thus ensuring an automatic interplay of functions. Its modern system structure comprises centralised system configuration as well as centralised system monitoring. The main focus is always put on the door as a functional entity. All compatible products are marked with the BKS-NET logo label.

Advantages:

- Easy planning
- Little wiring effort
- Fast commissioning
- Automatic configuration
- Centralised control and visualisation
- Local and central configuration of system components

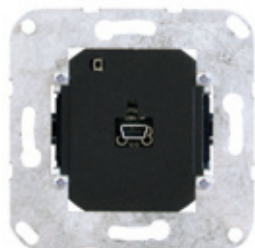
FTNT10: escape door control unit with integral emergency push-button

ST10: spring-operated key switch

BK10: bus coupler

Cx10: building bus coupler





BK10 bus coupler

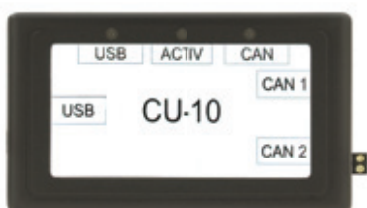
The BK10 bus coupler connects the components of a door with the building bus thus enabling the creation of a networked system. It is available as an in-wall and on-wall version. Various dummy covers and frames are available for the in-wall version.

BK10 bus coupler

Specifications	Order number
BK10 in-wall bus coupler (without frame/cover)	B 5580 0411
BK10 on-wall bus coupler (including housing)	B 5580 0412

Technical data:

- Nominal voltage: 12–24 V DC (– 15%/+ 10%)
- Nominal current consumption: 80 mA
- Protection code: IP20 (in-wall)/IP65 (on-wall)
- Max. length of door bus: 20 m



CU10/CE10 building bus coupler

The building bus is connected to a PC via the building bus coupler. The connection between the building bus and PC is established either locally via USB interface with the CU10 coupler, or remotely via Ethernet interface (TCP/IP) using the CE10 type.

CU10/CE10 building bus coupler

Specifications	Order number
CU10 building bus coupler (USB interface)	B 5580 0421
CE10* building bus coupler (Ethernet interface) *without power supply unit – to be ordered separately	B 5580 0431
Accessories	Order number
In-wall junction box for connecting the BKS-NET building bus to CU10 or CE10 (incl. cover, 1-section frame), alpine white (Jung LS990)	B 5580 0801
Repeater for BKS-NET building bus (9–36 V, 1.5 W, mounting on top-hat rail)	B 5580 0441

Technical data:

- Nominal voltage (CE10): 12–24 V DC (– 15% +10%)
- Nominal current consumption: 75 mA (CU10)/150 mA (CE10)
- Protection code: IP30
- Max. length of building bus: 800 m
- Max. number of bus couplers per building bus: 60





Standards at a glance

Classification code EN 179	472
Classification code EN 1125	473
Classification code EN 12209	474
Classification code EN 14846	476
Doors in escape and rescue routes in accordance with EN 179 and EN 1125	478
On the safe side with GU group products	480
Marking in accordance with the CPR	481

Functional descriptionen

Double-acting panic function	482
Single-acting panic function	483
Panic function – for outward opening doors	484
Panic function – for inward opening doors	485
Panic function B	486
Panic function C	487
Panic function D	488
Panic function E	489
Panic function P	490
Top-locking on active and passive leaf	491
Jamming of 2-leaf doors/Swiss round profile-cylinder	492
Reversible latch series 23/reversible latchbolt series 21	493
Silent latch	493
Switchable panic function series 23/series 21	494
Latch holdback series 23/series 21	495

Wiring diagrams

Lock monitoring – series 23	496
Lock monitoring – series 21	497
Lock status monitoring – B-217x/B-218x electrically coupled locks	498
Electrically coupled multi-point locks – SECURY 21 EK 2170/2171/2178	500
Multi-point locks with monitoring contacts – SECURY 2116 S/2119 S	502
A-opener set – for SECURY multi-point locks	503

Standards at a glance

Classification code EN 179



EN 179

		Classification code									
		EN 179									
		1	2	3	4	5	6	7	8	9	10
1	Category of use										
2	Durability										
3	Door mass										
4	Suitability for use on fire/smoke doors										
5	Safety										
6	Corrosion resistance										
7	Security										
8	Projection of operating element										
9	Type of operation										
10	Field of door application										

Category of use		
1	Grade 3	High frequency of use
Durability		
2	Grade 6	100 000 test cycles
	Grade 7	200 000 test cycles
Door mass		
3	Grade 5	Up to 100 kg
	Grade 6	Up to 200 kg
	Grade 7	Over 200 kg
Suitability for use on fire/smoke doors		
4	Grade 0	Not approved for use on fire/smoke protection door assemblies
	Grade A	Suitable for use on smoke door assemblies
	Grade B	Suitable for use on fire and smoke door assemblies
Safety		
5	Grade 1	Only the top grade is identified
Corrosion resistance		
6	Grade 3	96 h (high resistance)
	Grade 4	240 h (very high resistance)
Security		
7	Grade 2	1000 N
	Grade 3	2000 N
	Grade 4	3000 N
	Grade 5	5000 N
Projection of operating element		
8	Grade 1	Projection up to 150 mm (large projection)
	Grade 2	Projection up to 100 mm (standard projection)

Type of operation		
9	Type A	Emergency exit device with "lever handle" operation
	Type B	Emergency exit device with "push pad" operation
Field of door application		
10	Grade A	Outward opening single-leaf exit door, double-leaf exit door: active or inactive leaf
	Grade B	Outward opening single-leaf exit door only
	Grade C	Outward opening double-leaf exit door: inactive leaf only
	Grade D	Inward opening single-leaf exit door only

EN 1125

		Classification code									
		EN 1125									
		1	2	3	4	5	6	7	8	9	10
1	Category of use										
2	Durability										
3	Door mass										
4	Suitability for use on fire/smoke doors										
5	Safety										
6	Corrosion resistance										
7	Security										
8	Projection of horizontal operating element										
9	Operation type of operating element										
10	Field of door application										

Category of use		
1	Grade 3	High frequency of use
Durability		
2	Grade 6	100 000 test cycles
	Grade 7	200 000 test cycles
Door mass		
3	Grade 5	Up to 100 kg
	Grade 6	Up to 200 kg
	Grade 7	Over 200 kg
Suitability for use on fire/smoke doors		
4	Grade 0	Not approved for use on fire/smoke protection door assemblies
	Grade A	Suitable for use on smoke door assemblies on the basis of requirements B.1
	Grade B	Suitable for use on fire and smoke door assemblies
Safety		
5	Grade 1	Only the top grade is identified
Corrosion resistance		
6	Grade 3	96 h (high resistance)
	Grade 4	240 h (very high resistance)
Security		
7	Grade 2	Only one category of security is identified – safety consideration will always be given priority over security
Projection of horizontal operating element		
8	Grade 1	Projection up to 150 mm (large projection)
	Grade 2	Projection up to 100 mm (standard projection)

Operation type of operating element		
9	Type A	Panic device with "push bar operation"
	Type B	Panic device with "touch bar operation"
Field of door application		
10	Grade A	Single-leaf doors, double-leaf doors: active and inactive leaf
	Grade B	Only single-leaf doors
	Grade C	Double-leaf doors: only inactive leaf

Standards at a glance

Classification code EN 12209



EN 12209

Classification code

EN 12209

	1	2	3	4	5	6	7	8	9	10	11	
1	Category of use											
2	Durability											
3	Door mass and closing force											
4	Suitability for use on fire/smoke doors											
5	Safety											
6	Corrosion resistance											
7	Security and drill resistance											
8	Field of door application											
9	Type of key operation and locking											
10	Type of spindle operation											
11	Key identification											

Category of use		
1	Grade 1	Use by people with a high incentive to exercise care (e.g. internal residential doors)
	Grade 2	Use by people with some incentive to exercise care (e.g. public office doors)
	Grade 3	Use by public
Durability		
2	Grade A	50 000 test cycles; no load on latch
	Grade B	100 000 test cycles; no load on latch
	Grade C	200 000 test cycles; no load on latch
	Grade F	50 000 test cycles; latch load of 10 N
	Grade G	100 000 test cycles; latch load of 10 N
	Grade H	200 000 test cycles; latch load of 10 N
	Grade L	100 000 test cycles; latch load of 25 N
	Grade M	200 000 test cycles; latch load of 25 N
	Grade R	100 000 test cycles; latch load of 50 N
	Grade S	200 000 test cycles; latch load of 50 N
	Grade W	100 000 test cycles; latch load of 120 N
	Grade X	200 000 test cycles; latch load of 120 N

Door mass and closing force		
3	Grade 1	Up to 100 kg; max. 50 N closing force
	Grade 2	Up to 200 kg; max. 50 N closing force
	Grade 3	Above 200 kg or specified by the manufacturer; max. 50 N closing force
	Grade 4	Up to 100 kg; max. 25 N closing force
	Grade 5	Up to 200 kg; max. 25 N closing force
	Grade 6	Above 200 kg or specified by the manufacturer; max. 25 N closing force
	Grade 7	Up to 100 kg; max. 15 N closing force
	Grade 8	Up to 200 kg; max. 15 N closing force
	Grade 9	Above 200 kg or specified by the manufacturer; max. 15 N closing force
Suitability for use on fire/smoke doors		
4	Grade 0	Not approved for use on fire/smoke door assemblies
	Grade 1	Suitable for use on fire/smoke door assemblies
Safety		
5	Grade 0	No requirements

Corrosion resistance					
6	Grade 0	No specified corrosion resistance, no temperature requirement			
	Grade A	Low corrosion resistance, no temperature requirement			
	Grade B	Medium corrosion resistance, no temperature requirement			
	Grade C	High corrosion resistance, no temperature requirement			
	Grade D	Very high corrosion resistance, no temperature requirement			
	Grade E	Medium corrosion resistance, temperature requirement -20 °C to +80 °C			
	Grade F	High corrosion resistance, temperature requirement -20 °C to +80 °C			
	Grade G	Very high corrosion resistance, temperature requirement -20 °C to +80 °C			
Security and drill resistance					
7	Grade 1	Minimum protective effect and no drilling requirement			
	Grade 2	Low protective effect and no drilling requirement			
	Grade 3	Medium protective effect and no drilling resistance			
	Grade 4	High protective effect and no drilling resistance			
	Grade 5	High protective effect with drilling resistance			
	Grade 6	Very high protective effect and no drilling resistance			
	Grade 7	Very high protective effect with drilling resistance			
Field of door application					
8	Grade	Product	Use 1	Use 2	Use 3
	Grade A	Mortise lock	Unlimited use		
	Grade B	Mortise lock	Swing door		
	Grade C	Mortise lock	Sliding door		
	Grade D	Rim deadlock	Unlimited use		
	Grade E	Rim deadlock	Swing door		
	Grade F	Rim deadlock	Sliding door		
	Grade G	Bored lock	Unlimited use		
	Grade H	Mortise lock	Swing door	Supported	
	Grade J	Rim deadlock	Swing door	Inward opening	
	Grade K	Mortise lock	Swing door		Locked from inside
	Grade L	Mortise lock	Sliding door		Locked from inside
	Grade M	Rim deadlock	Swing door		Locked from inside
	Grade N	Rim deadlock	Sliding door		Locked from inside
	Grade P	Mortise lock	Swing door	Supported	Locked from inside
Grade R	Rim deadlock	Swing door	Inward opening	Locked from inside	

Type of key operation and locking		
9	Grade 0	Not applicable
	Grade A	Cylinder lock; manually locking
	Grade B	Cylinder lock; automatically locking
	Grade C	Cylinder lock; manually locking with intermediate locking
	Grade D	Lever lock or latch; manually locking
	Grade E	Lever lock or latch; automatically locking
	Grade F	Lever lock or latch; manually locking with intermediate locking
	Grade G	Lock without key operation; manually locking
Grade H	Lock without lock operation; automatically locking	
Type of spindle operation		
10	Grade 0	Lock without follower
	Grade 1	Lock with knob or sprung lever handle operation
	Grade 2	Lock with unsprung lever handle operation
	Grade 3	Lock with heavy sprung lever handle operation and heavy-duty application
	Grade 4	Lock with manufacturer's own specification door hardware; heavy-duty application and heavy hold-up spring
Key identification		
11	Grade 0	No requirements
	Grade A	Minimum three detaining elements
	Grade B	Minimum five detaining elements
	Grade C	Minimum five detaining elements; extended numbers of different differs
	Grade D	Minimum six detaining elements
	Grade E	Minimum six detaining elements; extended number of effective differs
	Grade F	Minimum seven detaining elements
	Grade G	Minimum seven detaining elements; extended number of effective differs
Grade H	Minimum eight detaining elements; extended number of effective differs	

Standards at a glance

Classification code EN 14846



EN 14846

Classification code

EN 14846

	1	2	3	4	5	6	7	8	9
1	Category of use								
2	Durability and load on latch								
3	Door mass and closing force								
4	Suitability for use on fire and smoke protection doors								
5	Safety								
6	Corrosion resistance, temperature and humidity								
7	Security and drill resistance								
8	Security – electrical function								
9	Security – electrical manipulation								

Category of use		
1	Grade 1	Use by people with a high incentive to exercise care (e.g. internal residential doors)
	Grade 2	Use by people with some incentive to exercise care (e.g. public office doors)
	Grade 3	Use by public
Durability and load on latch		
2	Grade A	50 000 test cycles; no load on latch
	Grade B	100 000 test cycles; no load on latch
	Grade C	200 000 test cycles; no load on latch
	Grade F	50 000 test cycles; latch load of 10 N
	Grade G	100 000 test cycles; latch load of 10 N
	Grade H	200 000 test cycles; latch load of 10 N
	Grade L	100 000 test cycles; latch load of 25 N
	Grade M	200 000 test cycles; latch load of 25 N
	Grade R	100 000 test cycles; latch load of 50 N
	Grade S	200 000 test cycles; latch load of 50 N
	Grade W	100 000 test cycles; latch load of 120 N
	Grade X	200 000 test cycles; latch load of 120 N
	Grade Y	200 000 test cycles; latch load of 250 N

Door mass and closing force				
3	Grade 1	Door mass up to 100 kg	50 N max. closing force	
	Grade 2	Door mass up to 200 kg	50 N max. closing force	
	Grade 3	Door mass above 200 kg as specified by the manufacturer	50 N max. closing force	
	Grade 4	Door mass up to 100 kg	25 N max. closing force	
	Grade 5	Door mass up to 200 kg	25 N max. closing force	
	Grade 6	Door mass above 200 kg as specified by the manufacturer	25 N max. closing force	
	Grade 7	Door mass up to 100 kg	15 N max. closing force	
	Grade 8	Door mass up to 200 kg	15 N max. closing force	
	Grade 9	Door mass above 200 kg as specified by the manufacturer	15 N max. closing force	
Suitability for use on fire and smoke protection doors				
4	0	Not approved for fire and smoke door assemblies		
	A	Suitable for use on smoke door assemblies		
	Suitable for use on fire and smoke door assemblies:			
	B	15 min.		
	C	30 min.		
	D	60 min.		
	E	90 min.		
F	120 min. or more			
Safety				
5	-			

Corrosion resistance, temperature and humidity				
	Grade	Corrosion	Temperature	Humidity
6	Grade 0	No defined resistance	No defined resistance	No defined resistance
	Grade A	No defined resistance	No defined resistance	Degree 1
	Grade B	No defined resistance	No defined resistance	Degree 2
	Grade C	Low resistance	+5 °C to +55 °C	Degree 1
	Grade D	Medium resistance	+5 °C to +55 °C	Degree 1
	Grade E	High resistance	+5 °C to +55 °C	Degree 1
	Grade F	Very high resistance	+5 °C to +55 °C	Degree 1
	Grade G	Medium resistance	-10 °C to +55 °C	Degree 1
	Grade H	High resistance	-10 °C to +55 °C	Degree 1
	Grade J	Very high resistance	-10 °C to +55 °C	Degree 1
	Grade K	Medium resistance	-25 °C to +70 °C	Degree 2
	Grade L	High resistance	-25 °C to +70 °C	Degree 2
	Grade M	Very high resistance	-25 °C to +70 °C	Degree 2
	Grade N	No defined resistance	-25 °C to +70 °C	Degree 1
Grade P	No defined resistance	-25 °C to +70 °C	Degree 2	
Security and drill resistance				
7	Grade 0	For locks without security		
Security – electrical function				
8	Grade 0	No requirement		
	Grade 1	Audible or visual signal		
Security – electrical manipulation				
9	Grade 0	No requirement		
	Grade 1	According to table 7 EN 14846		
	Grade 2	According to table 7 EN 14846		
	Grade 3	According to table 7 EN 14846		

Standards at a glance

Doors in escape and rescue routes in accordance with EN 179 and EN 1125



From a safety perspective, all doors in rescue routes are escape doors. They are to be labelled accordingly and equipped with panic exit devices in accordance with European standards.

The lock, door hardware and fixing accessories are tested together and may only be used as a tested unit.

In addition to CE marking, they must also be marked with a classification code.

Scope of the test values

The test values defined in both standards apply to both 1-leaf and 2-leaf door elements. Likewise, the test values apply to locking systems with additional locking elements such as shoot-bolt locks or multi-point locks.

Emergency exit devices in accordance with EN 179

are designed for buildings or parts of buildings sections that are not open to the public, i.e. where users are familiar with the emergency exit and its doors hardware. They are suitable for all applications where public traffic does not have to be taken into consideration.

Application examples:

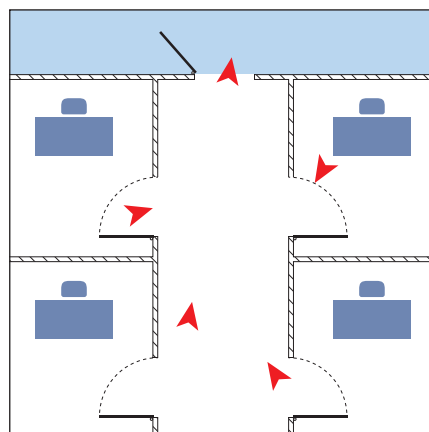
- Private housing
- Classrooms in schools
- Administrative buildings of industrial concerns not accessible to the public
- Areas in event buildings not accessible to the public
- Areas in airports, banks, shopping centres, etc. not accessible to the public

Lever handles or push pads are required as operating elements.



Easy opening of escape routes using emergency exit devices to EN 179

The main purpose of the performance requirements are to give safe and effective escape through a doorway with one single operation to release the emergency exit device. To test under conditions that are as realistic as possible, the door element is pre-stressed with a force of 25 newtons to simulate the gasket resistance. To achieve release with the maximum permissible tripping force of 70 newtons, low-friction interaction between the lever bearing, locking elements of the lock as well as the corresponding mounts in the door frame is required. Upon completion of the durability test, the exit devices are also subjected to a vandalism test to prove suitability for daily use.



Escape doors in accordance with EN 179 –
no public access,
example based on an office

Panic exit devices in accordance with EN 1125

are used in public buildings or buildings where the occupants must also be able to operate escape doors safely in emergencies without instruction even if they are not familiar with the function of the escape doors. The objective is to provide a safe escape route with minimum effort and without previous knowledge of panic exit devices. Panic exit devices must also unlock safely if pressure (preload) is applied to the door (maximum 220 N with a pressure of 1000 N on the door).

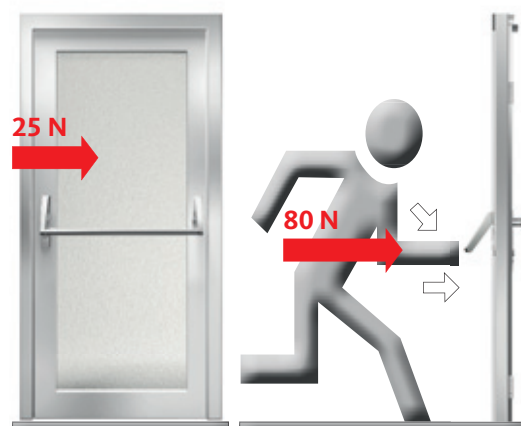
Application examples:

- Hospitals
- Escape routes in schools
- Public administration
- Areas in event buildings accessible to the public (cinema, theatre)
- Public areas in airports
- Public areas in shopping centres, etc.

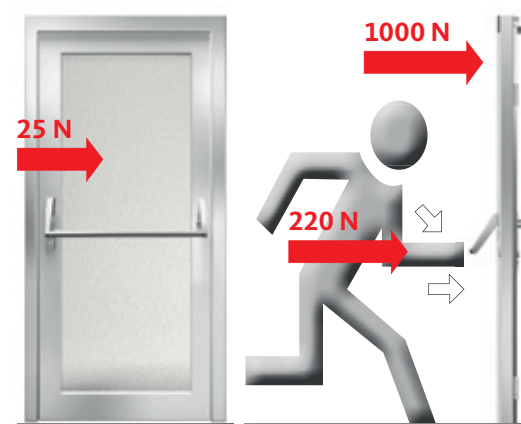
Push bars or touch bars are required as operating elements.

Easy opening of escape routes using panic exit devices according to EN 1125

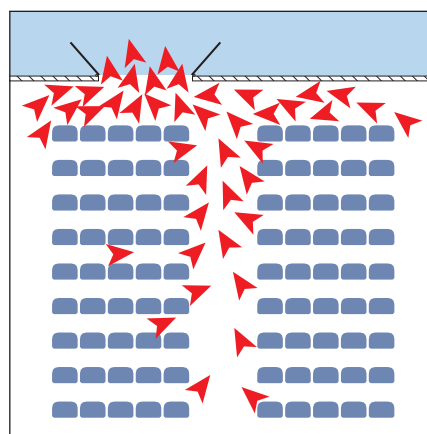
Each exit device is checked for suitability in two different tests. Panic exit devices are also subjected to a preload of 25 newtons to simulate gasket pressure. In the first test, the maximum permissible opening force of 80 newtons is used for testing to achieve release in the escape direction. During the second test, the door is preloaded with an additional 1 000 newtons to simulate the combined impact of several people against the door element at the same time. In this case, the maximum permissible tripping force of 220 newtons must not be exceeded. Upon completion of the durability test, the exist devices are also subjected to a vandalism test to prove suitability for daily use.



Test 1: Door leaf without preload



Test 2: Door leaf with a preload of 1000 N



Escape doors in accordance with EN 1125 – with public traffic, example based on a theatre

Recommended use:

If there are any doubt about the conditions relating to building occupancy, it is recommended that panic exit devices in accordance with EN 1125 should preferably be specified. This also applies if the use of a building is likely to change in the future. Otherwise, significant retrofitting work may be necessary if the building inspection is repeated.

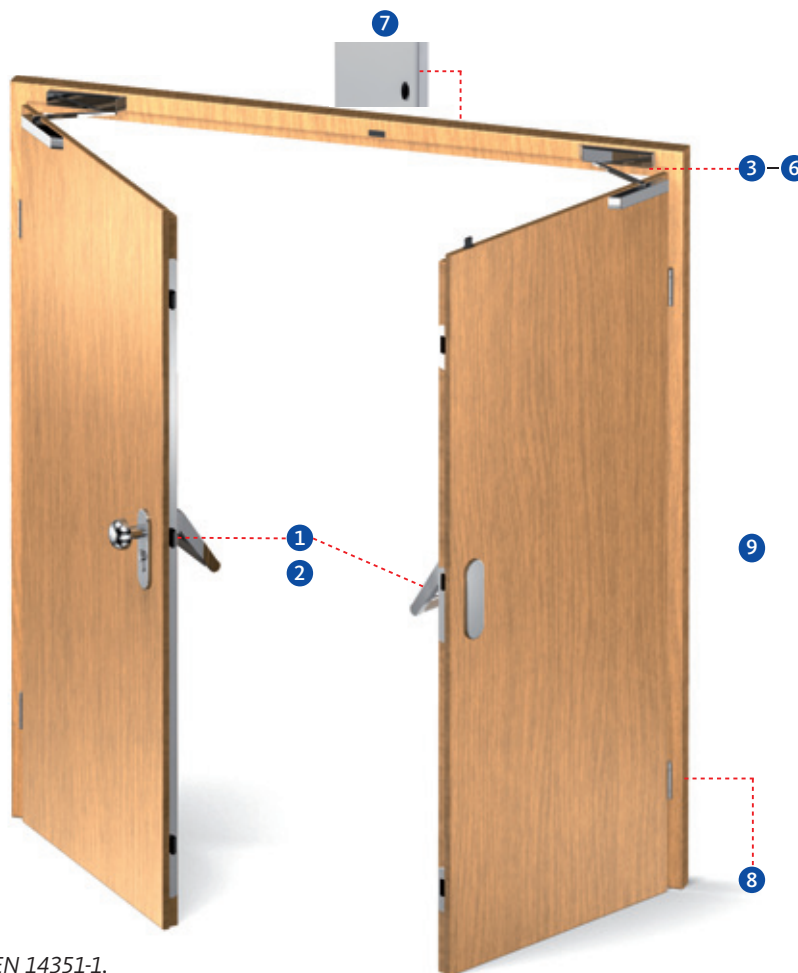
Standards at a glance

On the safe side with GU group products



CE-compliant products from the GU group range for:

- ① = Emergency exit and panic exit devices
- ② = Mechanical/electromechanical exit devices
- ③–⑥ = Door closers, hold-open systems
- ⑦ = Fire alarm systems, smoke switches
- ⑧ = Door and window hinges
- ⑨ = Accessories



Example of a two-leaf escape door in accordance with EN 14351-1.

The following harmonised standards are applied to Gretsch-Unitas group products

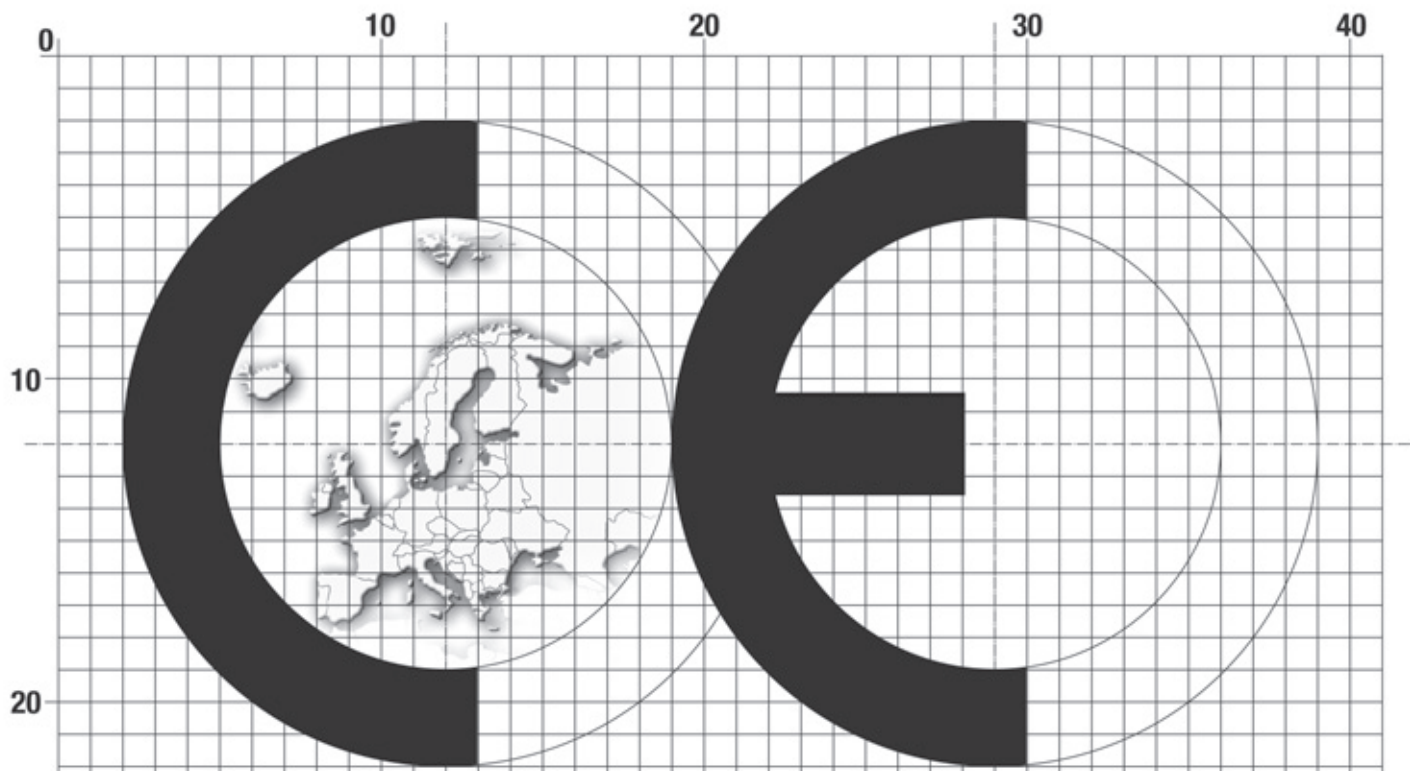
DIN	Description
EN 179	① Emergency exit devices (in escape routes)
EN 1125	① Panic exit devices (in escape routes)
EN 14846	② Electromechanically operated locks and strikers (in fire rated doors)
EN 12209	② Mechanically operated locks and strikers (in fire protection doors)
EN 1154	③ Door closers (in fire and smoke protection doors)
EN 1158	④ Door-leaf coordinators (in fire and smoke protection doors)
EN 1155	⑤ Electrical dogging mechanisms in swing doors (in fire and smoke protection doors)
EN 14637	⑥ Electrically controlled hold-open systems (for fire and smoke protection doors)
EN 54-7	⑦ Fire alarm systems – (part 7: smoke switches)
EN 1935	⑧ Uniaxial door and window hinges (in escape routes and/or fire rated doors)
EN 14967	⑨ Sealing sheets – bitumen damp-proof sheets
EN 12101-2	Smoke and heat control systems

We have included a reference to the corresponding standards with the relevant products in our catalogue. This means you can see at a glance that the product is CPR-compliant.

The products in our extensive range are designed to meet rigorous demands and deliver performance, reliability and longevity and are harmonised with one another. The diversity of the group's range provides you with many advantages.

The CE symbol – redefining the familiar

Marking in accordance with the CPR



The CE marking is to be applied to the construction product itself or an attached label before the construction product is put into circulation and must be clearly visible, legible and permanent. If this is not possible, CE marking is to be attached to the packaging or the accompanying documents.

The letters, CE, are derived from Communautés Européennes (European communities) and, when attached to a product, signify that it meets the requirements of the European Union.

By attaching the CE marking, the manufacturer confirms that the product fulfils all statutory conditions for the CE marking. This confirms that the manufacturer takes responsibility for compliance of the construction product with the characteristics listed in the Declaration of Performance.

"The CE marking is the technical passport for the product within the European Economic Area."

(German institute for standardisation (Deutsches Institut für Normung e. V.))

Functional description

Double-acting panic function



1. Double-acting panic function

The active leaf can be opened at any time without the key, even if the door is locked, by operating the door hardware on the inside. When operating the door hardware on the inside of the passive leaf is operated, the vertical rods retract into the door leaf and the latch and deadbolt of the active leaf lock are pushed back **at the same time.**

Both door leaves can therefore be opened abruptly and simultaneously. The panic function can be triggered at both door leaves – hence the description **double-acting.**



2. Single-acting panic function

The single-acting panic function is a restricted panic function which can only be used **with the consent of the building authorities**. By operating the door hardware on the inside of the passive leaf, the vertical rods retract into the door leaf and, **at the same time**, the latch and deadbolt of the active leaf lock are pushed back. Both door leaves can therefore be opened abruptly and simultaneously. When the door hardware on the inside of the

active leaf is operated, there is **no panic function**.

Important: When ordering the lock for the active leaf, please indicate that the "single-acting panic function" is required.

The panic function can only be triggered at the passive leaf – hence the description "**single-acting**".

Functional description

Panic function for outward opening doors



Escape direction
Panic function for outward opening doors
(as a rule)

General

In Germany, the law stipulates that doors in escape routes and emergency exits open **in the escape direction**. The panic locks and door hardware combinations presented in this catalogue are therefore intended for outward opening doors.

However, in certain cases and under certain conditions, inward opening escape doors are acceptable. In this case you must **always** consult the building authorities beforehand.



Escape direction

Panic function for inward opening doors
(special case requiring the approval of the building authorities)

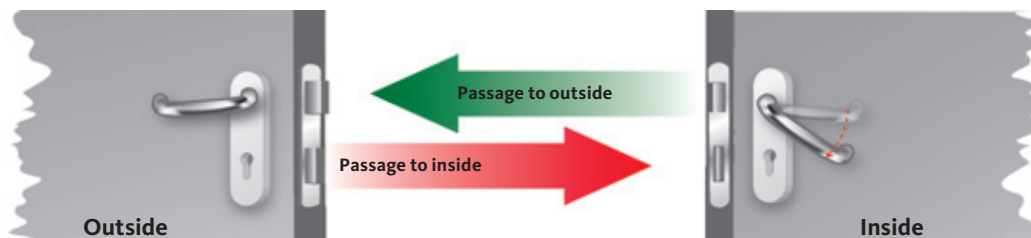
Notes

Panic locks of series 21/23 with split follower (panic function B, C and D) can be used for both inward and outward opening doors by switching the panic side. Thus increasing on-site flexibility.

Panic locks with one-piece followers and panic function E can be used for both inward and outward opening doors without changing the lock. Only the door hardware must be mounted accordingly. Panic function E for inward opening doors requires the lever handle and vertical lever to be mounted on the hinge-side. On the other hand, the long backplate with lever handle or another operational element is mounted on the side opposite the hinges.

Functional description

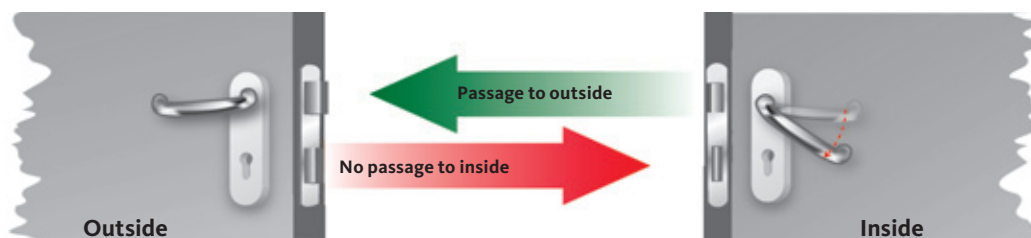
Panic function B



Opening position

Operation from inside and outside

Passage possible in both directions via the lever handle; the latch is retracted and the follower is coupled on both sides.



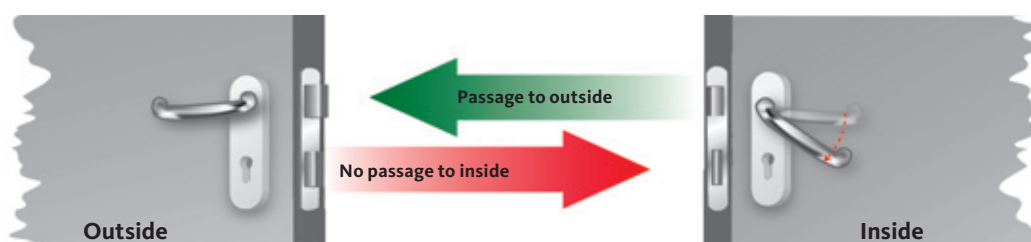
Initial position:

Actuation from outside

Idling lever handle due to decoupled follower. The door can only be opened with the key. When the key is turned, the follower is coupled and the door can be opened with the lever handle. The follower coupling must subsequently be set to idle again by turning the key.

Actuation from inside

The door can be opened in the escape direction at any time.



Locked status

In locks of series 21 (self-locking), the automatic latch locks automatically.

Actuation from outside

Idling lever handle due to decoupled follower. The door can only be opened with the key. When the key is turned, the follower is coupled and the door can be opened with the lever handle. The follower coupling must subsequently be set to idle again by turning the key.

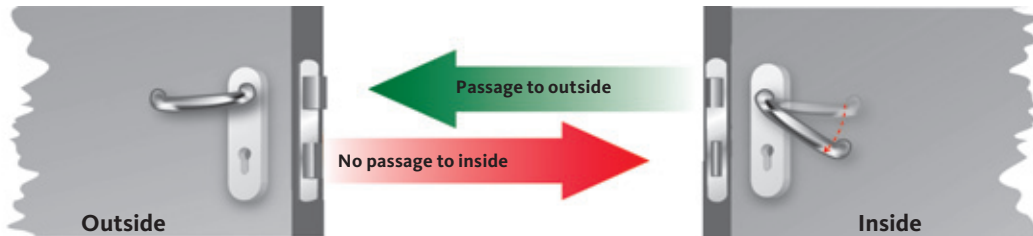
Actuation from inside

The door can be opened in the escape direction at any time.

Possible applications

As the lever handle is on the outside, the door is suitable for use as a connecting door.

- Hallway doors in office buildings
- Homes for the elderly
- Secondary entrance doors
- Secondary entrance doors in kindergartens, schools and hotels



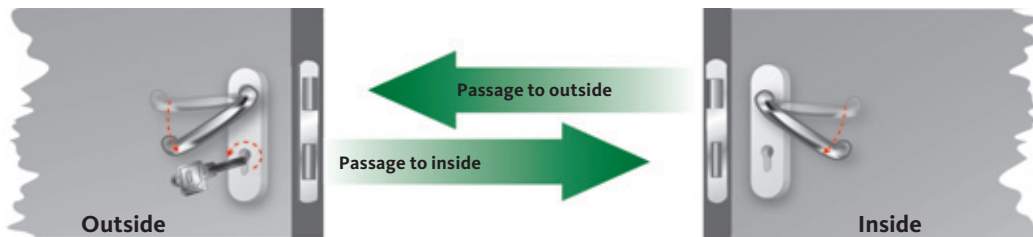
Initial position:

Actuation from outside

Idling lever handle due to decoupled follower. The door can only be opened with the key.

Actuation from inside

The door can be opened in the escape direction at any time.



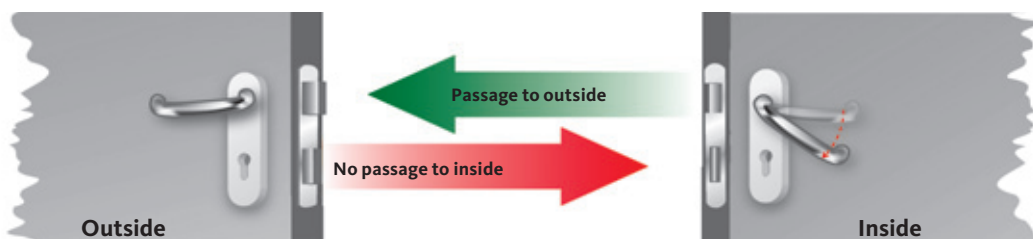
Opening position

Actuation from outside

Idling lever handle due to decoupled follower. The door can only be opened with the key. By turning the key as far as possible in the opening direction, the follower is coupled and the door can be opened with the lever handle. When the key is removed, the exterior lever handle reverts automatically to idle.

Actuation from inside

The door can be opened in the escape direction at any time.



Locked status

In locks of series 21 (self-locking), the automatic latch locks automatically.

Actuation from outside

Idling lever handle due to decoupled follower. The door can only be opened with the key. By turning the key as far as possible in the opening direction, the follower is coupled and the door can be opened with the lever handle. When the key is removed, the exterior lever handle reverts automatically to idle.

Actuation from inside

The door can be opened in the escape direction at any time.

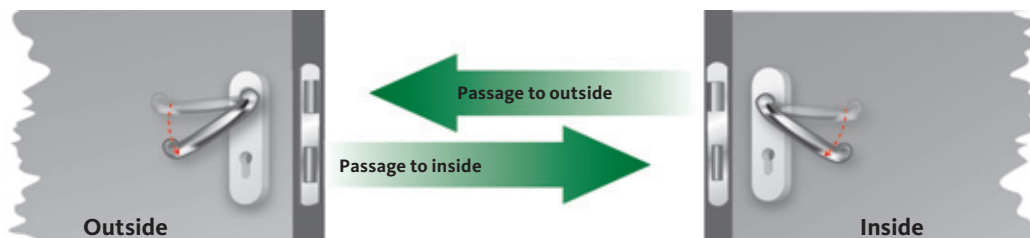
Possible applications

As the lever handle is on the outside, the door is suitable for use as a connecting door.

- Hallway doors in office buildings
- Homes for the elderly
- Secondary entrance doors
- Secondary entrance doors in kindergartens, schools and hotels

Functional description

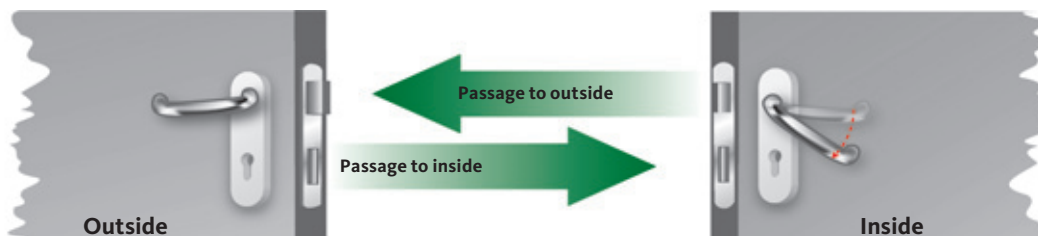
Panic function D



Opening position

Operation from inside and outside

Passage possible in both directions via the lever handle; the latch is retracted and the follower is coupled on both sides.



Locked status

Actuation from outside

The exterior lever handle is coupled again following actuation of the panic function from the inside. Passage from outside to inside. When actuating the locking cylinder, the exterior lever handle is decoupled.

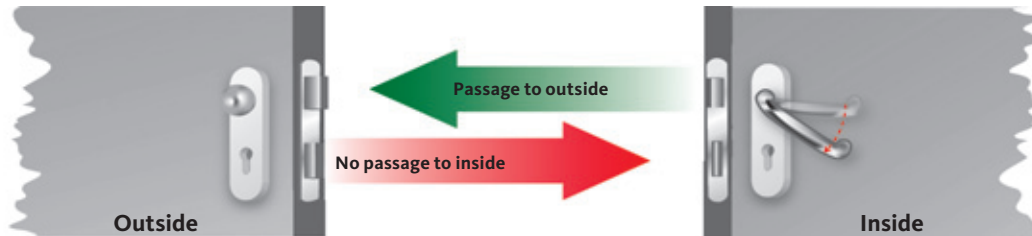
Actuation from inside

Opening the door in escape direction is possible at any time. After the lever handle has been operated, the deadbolt remains retracted until the next time it is locked using the key.

Possible applications

As the lever handle is on the outside, the door is suitable for use as a connecting door.

- Hallway doors in office buildings
- Homes for the elderly
- Secondary entrance doors
- Secondary entrance doors in kindergartens, schools and hotels



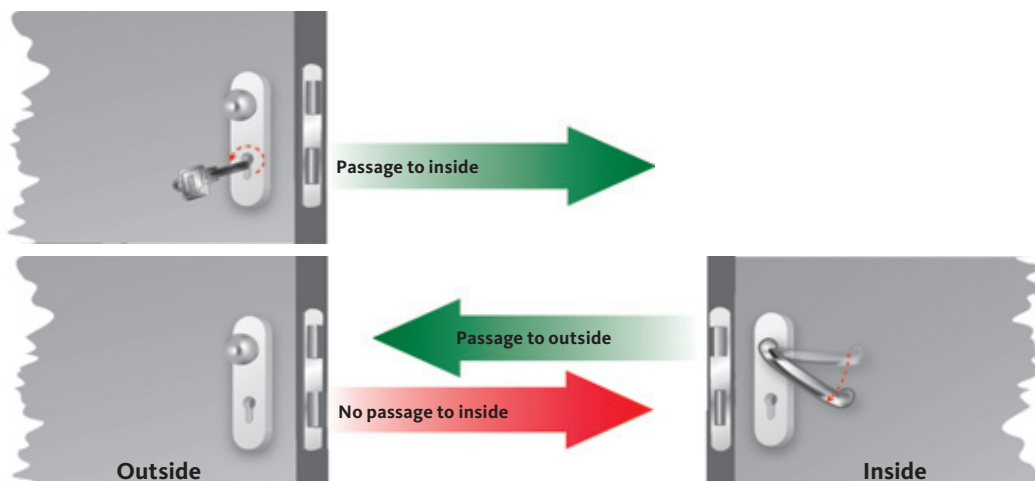
Initial position:

Actuation from outside

Only a fixed knob or a push/pull handle are permitted to operate the door. The door is opened by key only which retracts the latch.

Actuation from inside

The door can be opened in the escape direction at any time.



Locked status

Actuation from outside

The door is opened by key only which retracts the latch. In locks of series 21 (self-locking), the latchbolt locks automatically.

Actuation from inside

Opening the door in escape direction is possible at any time.

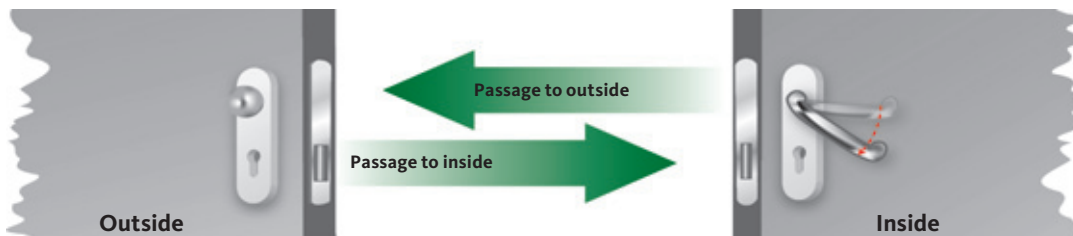
Possible applications

As the fixed knob or push/pull handle is on the outside, access from the outside is only possible using the key.

- Doors on transformer stations and boiler rooms
- Lift
- Underground car parks
- Entrance to warehouses and offices
- Entrance to tenements and multi-family houses

Functional description

Panic function P



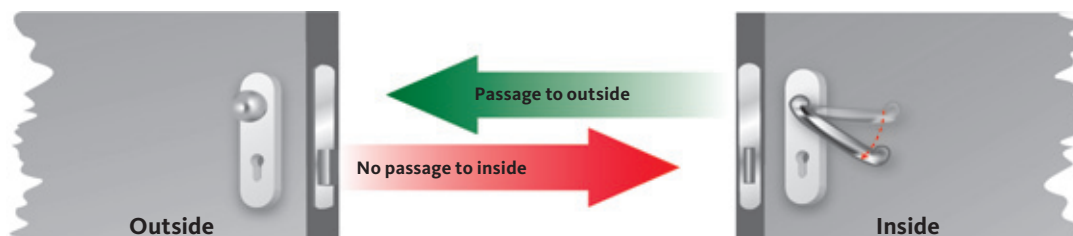
Opening position

Actuation from outside

Only a fixed knob or a push/pull handle are permitted to operate the door. The door can be opened by pulling/pushing the knob/lever handle. Entry, no latch (double-action swing door).

Actuation from inside

The door can be opened in the escape direction at any time.



Locked status

Actuation from outside

The door is opened by key only which retracts the deadbolt. The door is at the initial position following actuation of the panic function from the inside.

Actuation from inside

Opening the door in escape direction is possible at any time. After the lever handle has been operated, the deadbolt remains retracted until the next time it is locked using the key.

Possible applications

As the fixed knob or push/pull handle is on the outside, access from the outside is only possible using the key.

- Doors on transformer stations and boiler rooms
- Lift
- Underground car parks



In many cases, the use of a top-locking feature on the active leaf renders the installation of a triple latch lock unnecessary. This can also be used on doors without a separate locking device on the passive leaf.

Top-locking with B 1895 passive-leaf control lock

The passive leaf is locked from above via the vertical rods projecting upwards into the door frame. The projection of this lock is 17 mm.

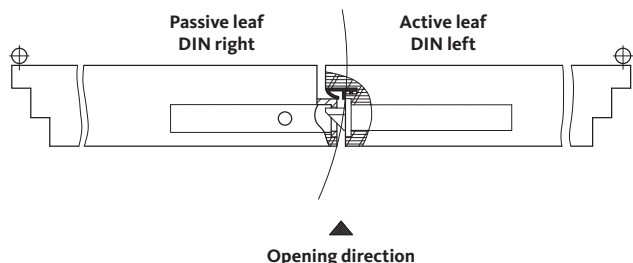


Top-locking with spring-operated top latch 1795

The projection of this lock is 12 mm. The spring-operated top latch 1795 can be used on the active leaf in conjunction with electric strikes and therefore is also suitable for automatic door systems. The spring-operated top latch 1796 is used on the passive leaf of double-leaf door systems.

Functional description

Jamming of double-leaf doors/Swiss round profile-cylinder



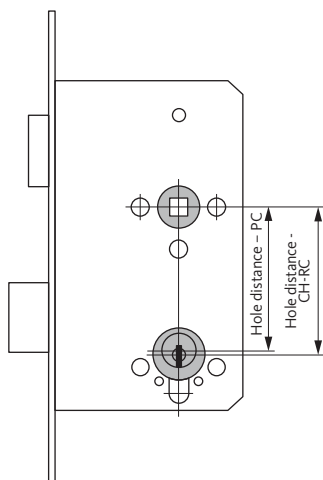
Protection from jamming

When designing a door element, it is important to ensure that when both door leaves are opened simultaneously their movement will not be restricted. Door jamming can lead to destruction of the door hardware components, including the door element itself.

When checking this, it is important to consider the criteria door leaf width, door thickness, overlaps, clearance, pivot point of the door leaves and the projection of the door hardware.

It must for example be proven by test institutes that the movement of a double-leaf escape door is not restricted when opened by the door hardware of the passive leaf (vertical lever or push bar).

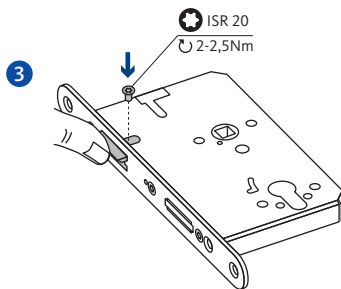
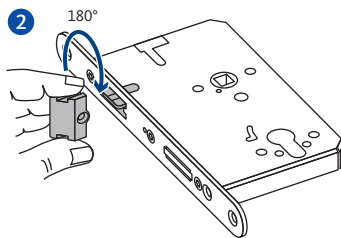
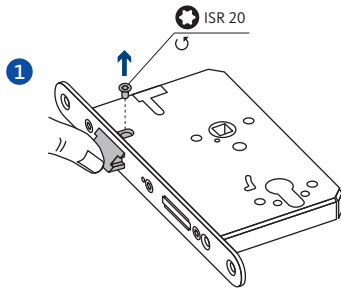
Use of a **carrier bar** is obligatory on double-leaf doors. The carrier bar ensures that the active leaf is taken along at least as far as the action range of the door-leaf coordinator if in a panic situation the door is opened by the passive leaf. The correct closing sequence is always guaranteed.



Swiss round profile-cylinder

Note that the hole centre-to-centre distance (follower – cylinder) in locks designed for Swiss round profile-cylinders is 2 mm larger than that of locking cylinders.

Example: PC 72 mm = CH-RC 74 mm



Reversible latch of series 23/ reversible latchbolt of series 21

The following steps must be observed to reverse the latch:

- 1 Push the latch back slightly and unscrew the countersunk screw which can be accessed via the hole in the lock case cover
- 2 Pull the latch out of the faceplate, rotate it axially by 180° and reinsert it
- 3 Pressing gently on the latch, screw the countersunk screw back in and tighten it firmly with a torque of 2 to 2.5 Nm

Note:

Versions with reversible latch are delivered as standard DIN left.
Essential tool: socket wrench insert Tx20 (not included in the scope of delivery)



Silent latch – series 23

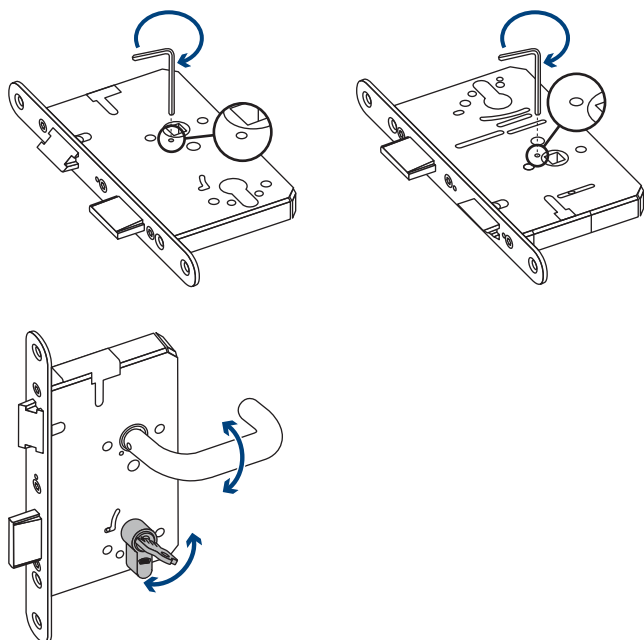
As an option, the existing latch with series 23 can be replaced by a silent latch

Note:

Please take the above points into consideration.

Functional description

Switchable panic function series 23/series 21



Switchable panic function series 23/series 21

Locks with the panic functions B, C and D feature a switchable panic function. This makes it possible to change the escape direction of the lock, which might be necessary after reversing the latchbolt.

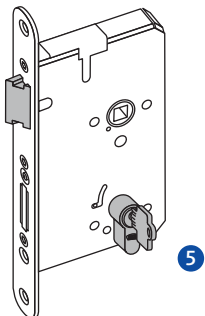
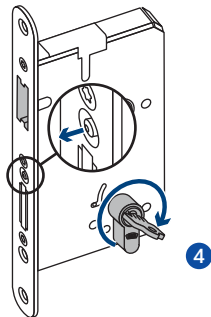
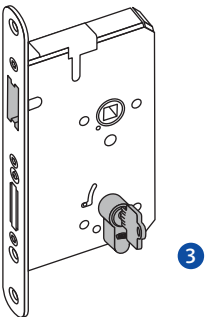
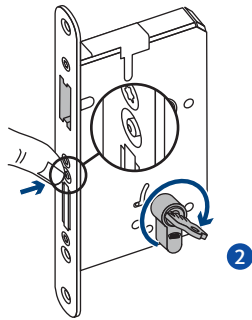
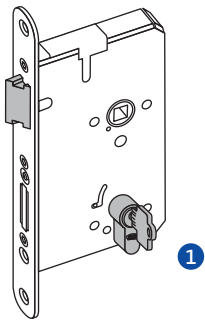
To switch the panic function, first actuate the trigger lever to bring the latchbolt in its locked position. Then turn the threaded pin at the position marked using a 1.5 mm Allen key as far as it will go. Finally, check that the panic function of the lock works properly.

To switch the panic function once again, follow the same procedure from the other lock side.



WARNING

When changing the escape direction from the side opposite the hinges (outward opening) to the door hinge side (inward opening) the approval according to EN 1125 ceases to be valid!



Latch holdback series 23/series 21 Key-controlled latch holdback

Note: Not approved for fire and smoke protection doors

Function for locks with latch lever:

Activating the latch holdback:

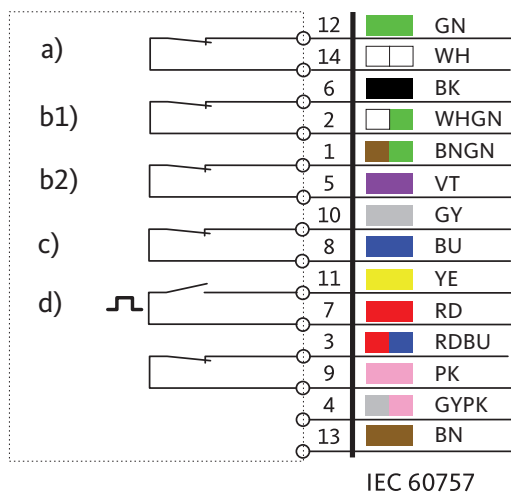
- 1 Retract the latch and hold it in retracted position using the key
- 2 Press the button on the faceplate down as far as it will go; keep the button pressed while turning the key back again
- 3 Latch holdback is activated

Deactivating the latch holdback:

- 4 Turn the key once more; the actuation button must pop back out
- 5 Latch is reactivated

Wiring diagrams

Lock monitoring – series 23



Monitoring functions – series 23

Connected values

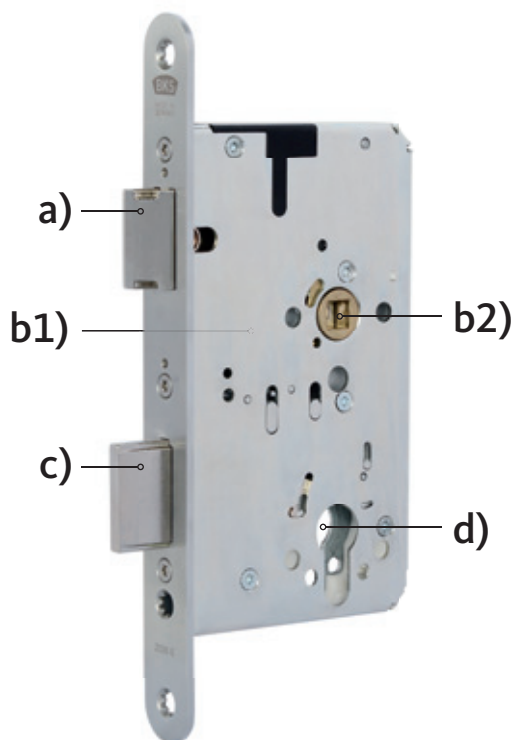
Switching capacity (max.) 3 W
 Switching current DC (max.) 100 mA
 12 V DC/80 mA
 24 V DC/40 mA

Note!

The B 5490 0300 connecting cable (length 10 m) is not included in the scope of delivery and must be ordered separately.

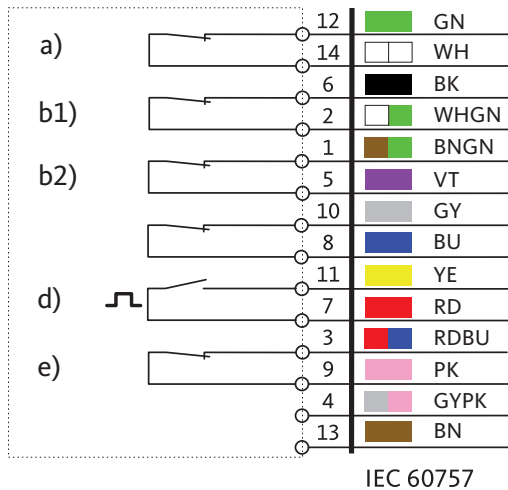
Accessories (optional)

B 5371 0020 lock tester



Statuses of the lock contacts shown in initial position:

- a) Latch extended
- b) Lever handle not activated
 (b1: on underside of lock case,
 b2: on upper side of lock case)
- c) Deadbolt extended
- d) Cylinder in key withdrawal position



Monitoring functions – series 21

Connected values

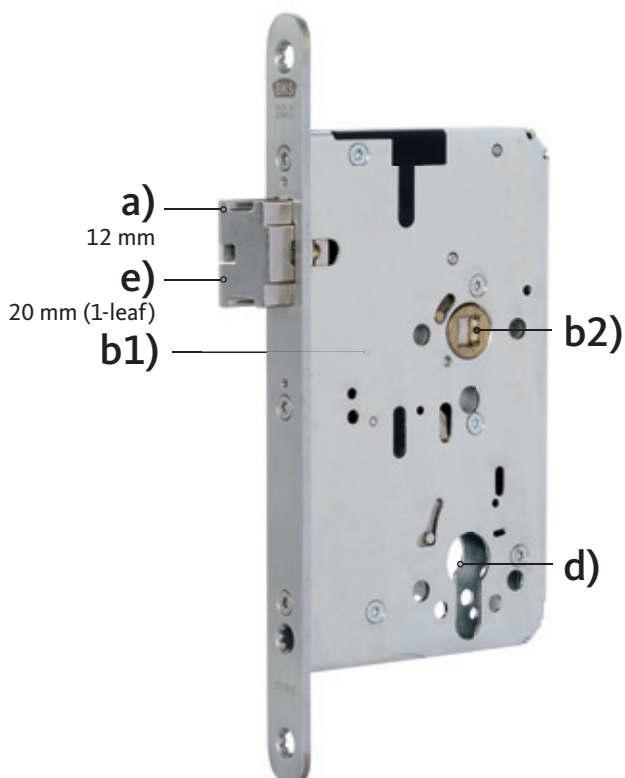
Switching capacity (max.) 3 W
 Switching current DC (max.) 100 mA
 12 V DC/80 mA
 24 V DC/40 mA

Note!

The B 5490 0300 connecting cable (length 10 m) is not included in the scope of delivery and must be ordered separately.

Accessories (optional)

B 5371 0020 lock tester

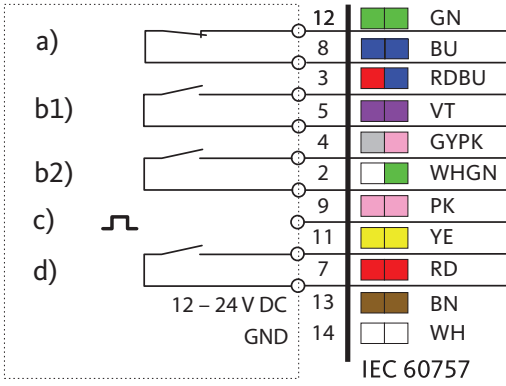


Statuses of the lock contacts shown in initial position:

- a) Latchbolt position 12 mm
- b) Lever handle not activated
 - (b1: on underside of lock case,
 - b2: on upper side of lock case)
- d) Cylinder in key withdrawal position
- e) Latchbolt blocking device 20 mm (only with 1-leaf doors)

Wiring diagrams

Lock status monitoring – B -217x/B -218x electrically coupled locks



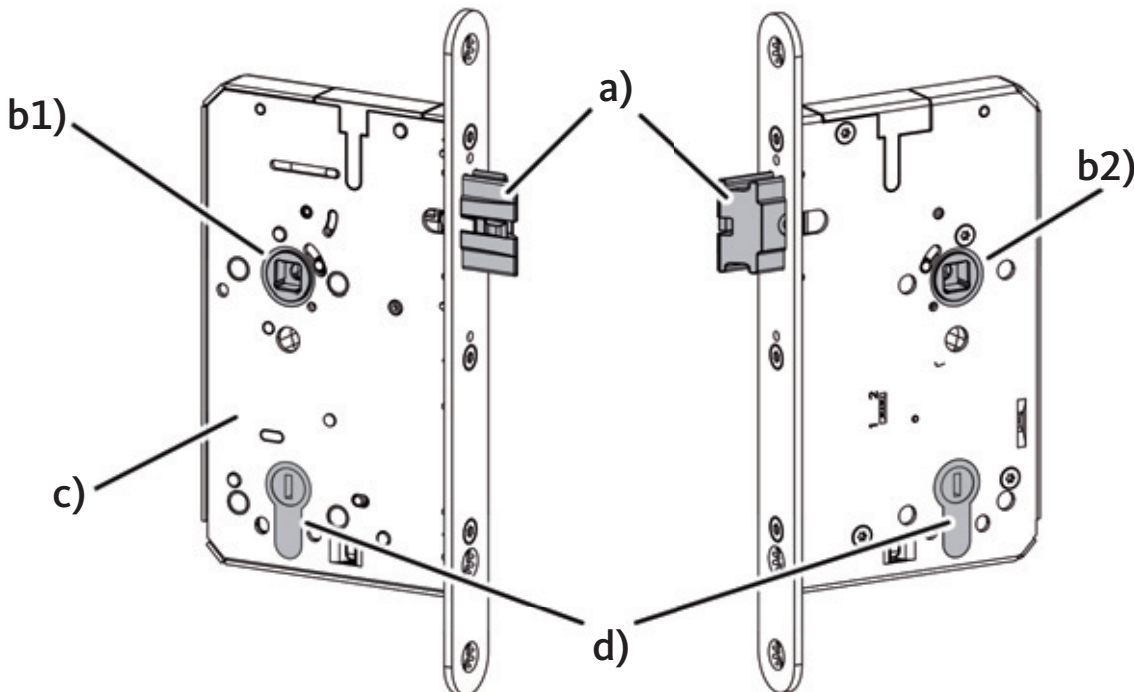
Electrically coupled lock

The exterior lever handle is electrically activated, i.e. access can be controlled electrically. Activation is possible by means of the door opener button, intercom or similar, time switches, or access control system. The statuses of the individual lock components are also queried electrically via integrated switches.

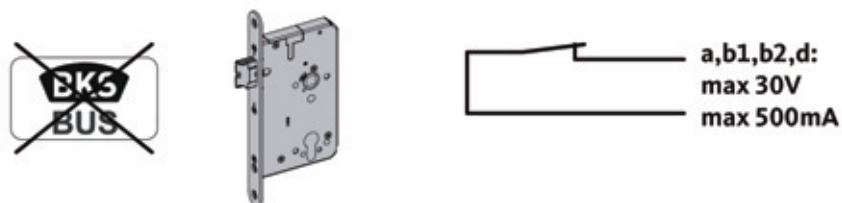
Accessories

Not included in the scope of delivery:

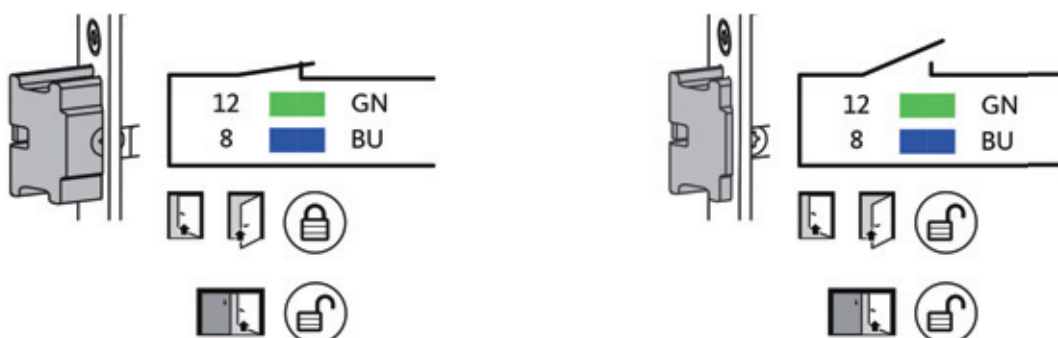
Connecting cable B 5490 0300, length 10 m (type LiYY 8 x 0.14 mm²)



Technical data	
Nominal voltage	12-24 V DC
Current consumption	max. 250 mA
Duty ratio	100%
Contact load	max. 30 V max. 500 mA



a)



b1)



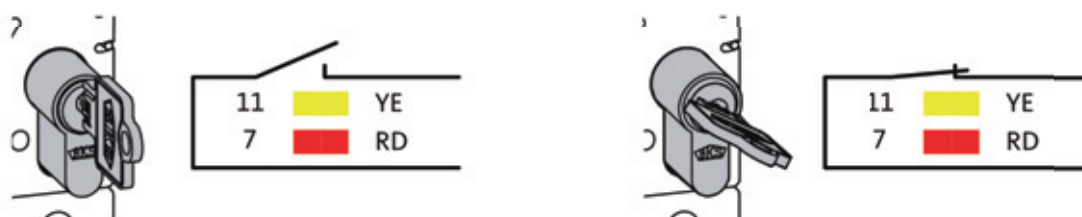
b2)



c)



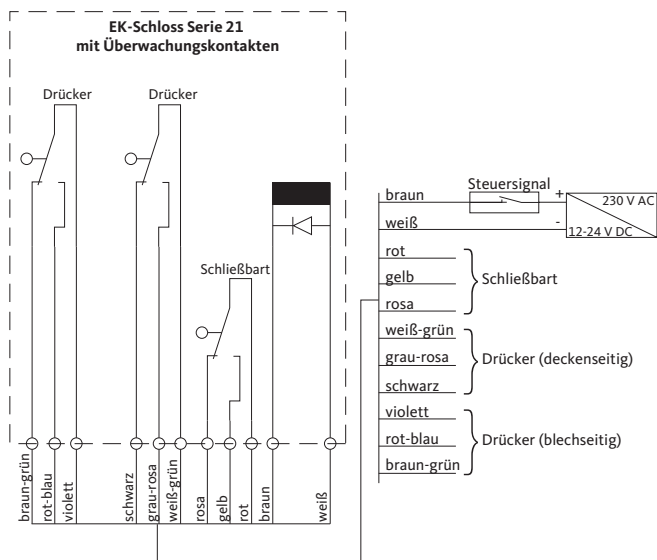
d)



+12 - +24 V DC 13 BN
GND 14 WH
IEC 60757

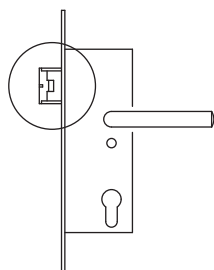
Wiring diagrams

Electrically coupled multi-point locks – SECURITY 21 EK 2170/2171/2178



Wiring diagram

Latchbolt projected



Fail-secure =

exterior lever handle decoupled without current

Fail-safe =

exterior lever handle coupled without current

SECURITY EK lock

The exterior lever handle is electrically activated, i.e. access can be controlled electrically. Activation is possible by means of the door opener button, intercom or similar, time switches, or access control system. The statuses of the individual lock components are also queried electrically via integrated switches. The door can be opened from outside by operating the mechanical locking cylinder, by the fire brigade for example.

Functional description

Two electrically independent microswitches monitor and signal the most important unlocked/locked statuses. Monitored components: cylinder locking cam and latchbolt.

The terminal assignment is shown in the above diagram.

Accessories

Included in the scope of delivery:

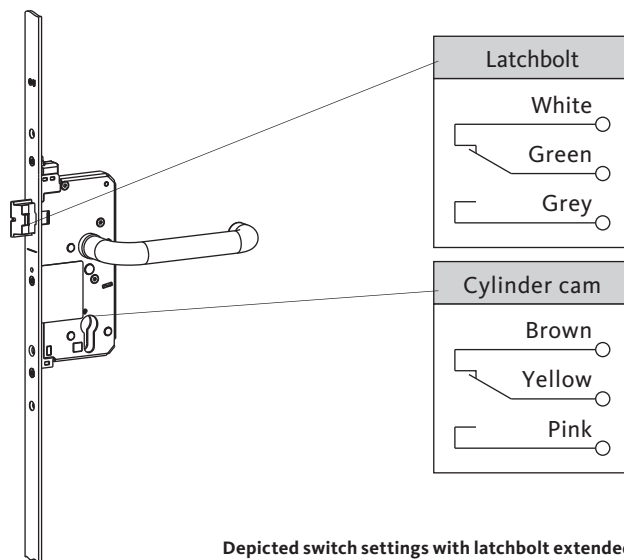
Connecting cable
(type LiYY 11 x 0.14 mm²) B 5490 0300

Technical data	
Nominal voltage	12–24 V DC
Current consumption	max. 250 mA
Duty ratio	100 %
Contact load	30 V DC/2 A or 125 V AC/1 A



Wiring diagrams

Multi-point locks with monitoring contacts – SECURITY 2116 S/2119 S



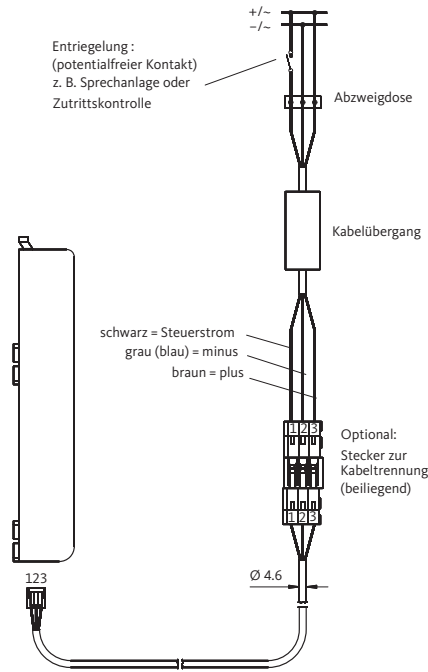
Depicted switch settings with latchbolt extended, and cylinder cam not actuated

Terminal assignment		
Wire colour	Function	
White	Latchbolt	NC
Grey		NO
Green		C
Brown	Cam	NC
Pink		NO
Yellow		C

Technical data	
Contact load	30 V DC/2 A or 125 V AC/1 A

Accessories

Included in the scope of delivery:
Connecting cable B 5490 0001,
length 8 m (type LiYY 6 x 0.14 mm²)



K-18153-01-0-0 A-opener

Other loads (such as an electric strike or a lamp) must not be connected in parallel with the A-opener. If an additional load is required, a relay must be connected in-between.

Important: A switch for "permanent running" may be installed in parallel with the "Open" push-button (daytime latch release function). The switching time is unlimited.

Accessories

The connecting cable is included in the delivery (approx. 6 m long, with plug and wire end ferrules)

From junction box:

3-core cable

Max. outer diameter: 6 mm

Wire cross-section

up to 10 m length: 0.50 mm²

up to 40 m length: 0.75 mm²

up to 50 m length: 1.00 mm²

up to 75 m length: 1.50 mm²

up to 125 m length: 2.50 mm²

(not supplied by GU-BKS)

Technical data	
Nominal voltage	12 V AC/12–24 V DC (stabilised)
Current consumption	max. 1 A
Protection code	IP40
Lifting force	max. 70 N

Useful information



Globe with streaks of light kindly provided by Photographer's Choice RF/Getty Images



Instructions for use

Product information

506

Product liability

Product information

508

Standards and regulations at a glance

Product information

509

Instructions for use

Product information



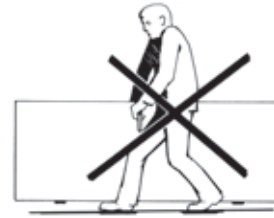
1. Do not drill through the door leaf in the area of the lock when the lock is installed.



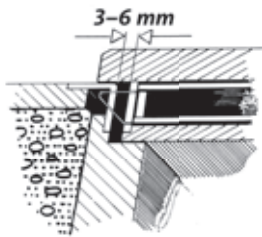
2. Do not hit the spindle through the follower with force.



3. Do not carry the door leaf by the lever handle.



4. The distance between lock faceplate and striker should be between 3 and 6 mm.



5. Do not paint over deadbolt or latch.



6. Do not apply any force to the lever handle other than in normal rotational direction. The maximum allowed force is 150 N.



7. The lock may only be operated with the appropriate key and not with foreign objects.



8. The deadbolt must not project when the door is open.



9. Do not operate lever handle and key at the same time.



10. Escape door locks must not be left with the key inserted.



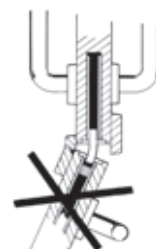
11. Panic exit devices must not be fitted with locking cylinders with knob or thumbturn.

Exception:
Locks of series 13, 18, 19 and 21

Note:
If a push bar is used, ensure unimpeded operation.

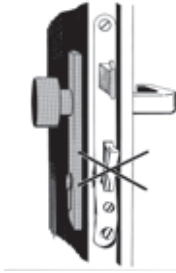


12. 2-leaf doors without double-sided panic function (full panic function) must not be forced open via the passive leaf.





13. If there are signs that the lock has been tampered with (or forced) it must be replaced immediately.



14. Locks must be greased at least once a year.



Comply with these instructions when using BKS locks and door hardware!

Exclusion of liability

BKS products are permanently adapted and developed to meet the growing demands of the market. We also reserve the right to make changes within the scope of technical progress.

The necessity for this is based on:

- technical development
- changes and adaptations in the product range
- adaptation to changing laws and technical standards

The content of our documents was compiled with the greatest possible care. However, we ask for your understanding that we do not accept any liability for possible omissions and errors in the presentation and description of the products.

Thank you for your understanding.

Product liability

Product information



According to the German Product Liability Act defining the liability of a manufacturer for his products, the following information about locks must be observed.

We as manufacturer will not accept liability for non-observance of this information.

1. Product information and intended use

The function of a lock is to keep a door shut, and to lock it. Simple lock designs serve only to shut the door. 'Keeping shut' means preventing a door from being opened by pulling or pushing while also allowing it to be easily opened, by operating a lever handle for example. The latch is designed to keep the door shut.

Securing the closed door by blocking at least one deadbolt or latchbolt which engages in the appropriate recess in the frame or latch striker, is called blocking.

The deadbolt must be blocked in the extended position to prevent it being pushed back. Moreover, opening of the door without using the appropriate key must be effectively hampered.

A door may be locked only when it is in the fully closed position.

The length of the cylinder fixing screws must be selected to match the backset dimension of the lock or cropped to the appropriate length.

A mortise lock is a lock which is inserted into a recess in the door leaf (lock recess) and fixed with screws.

The following must be observed to assure their intended use:

- The chosen locks, strikers, door hardware, fixing elements and locking cylinders must be compatible with each other.
- Proper installation, maintenance and possible replacement of the lock must be state-of-the art. This is documented in standards related to these products and can also be found in the manufacturer's catalogues and instructions.

With locks for escape doors or special locks, the simultaneous operation of key and door hardware (such as the lever handle) is not allowed as a rule.

Locks for escape doors and special locks may only be combined with locking cylinders featuring a so-called thumbturn (e.g. knob cylinders) if this is contractually agreed with the lock manufacturer. It is generally assumed that only key owners have the right to operate the lock; in other words, the actuation of a lock via a knob cylinder (i.e. without key) is not considered a normal case.

The simultaneous retraction of latch and deadbolt by operation of the lever handle is a special case which should not generally replace the standard key operation for withdrawing the deadbolt.

Cylinders may only be installed in locks without reservation if they comply with a dimension standard (e.g. DIN 18252), and if the locks are in turn explicitly designed for cylinders according to this standard.

In all other cases, manufacturers, dealers, fabricators or consumers of such locks must ensure that the chosen cylinders are suitable for installation and the intended use.

Mandatory legal regulations and manufacturer's instructions must be observed. For example, locking cylinders with knob, knurled knob or similar thumbturn must not be installed in panic locks

General terms, if not explained in catalogues, brochures, price lists or on the internet, are defined in the standards relevant for these products (such as DIN 18250, DIN 18251, DIN 18252, DIN 18255, DIN 18257, DIN 18273, EN 179, EN 1125, EN 1303, EN 1906, EN 12209). Deviations from the relevant standard must be specified in the order.

2. Misuse

Misuse, non-intended use of locks, occurs for example if

- the flawless use is prevented by inserting foreign objects into the lock or striker.
- the lock or striker are manipulated in such a way that changes their design or function.
- the deadbolt is extended to prevent the door from closing.
- the function of the locking elements is hindered as a result of improper assembly or subsequent treatment (e.g. painting).
- a load is applied to the lever handle which exceeds the normal force applied by hand.
- unsuitable, e.g. dimensionally deviating or incorrect keys are used.
- the specified clearance increases or decreases as a result of hinge readjustments or lowering of the door leaf.
- a double-leaf door is opened by the passive leaf although not designed and approved for this.
- objects or extremities are put between the door leaf and frame when the door closes.
- activating the lever handle and the key simultaneously.

3. Product performance

Technical requirements other than those determined in our catalogues, brochures, price lists or performance specifications, etc. must be agreed with us.

The relevant standards are (e.g. DIN 18250, DIN 18251, DIN 18252, DIN 18255, DIN 18257, DIN 18273, EN 179, EN 1125, EN 1303, EN 1906, EN 12209).

These standards define basic and additional requirements.

The serviceability of locks also depends on the operating frequency, operating method, environmental effects and maintenance.

Lock, striker, door hardware, locking cylinder and keys must be replaced as soon as problems occur despite proper maintenance.

The same applies after attempts to break locks and their accessories forcefully (burglary attempts).

4. Product maintenance

Locks must be lubricated with suitable lubricants at least once a year, or more frequently depending on the wear. Door hardware, striker and locking cylinder must be inspected for proper condition and attachment. Only detergent not containing corrosive ingredients may be used.

5. Duty to inform and to instruct

In order to comply with the duties to provide information and instruction prescribed by the German Product Liability Act, the following documents and services are made available to specialist dealers, locksmiths, architects, planners, fabricators and end users upon request:

- catalogues, brochures
- tender specifications, quotation documents, key combination records
- the relevant standards, e.g. DIN 18250, DIN 18251, DIN 18252, DIN 18255, DIN 18257, DIN 18273, EN 179, EN 1125, EN 1303, EN 1906, EN 12209 (exclusive distribution by Beuth Verlag GmbH, Berlin 30)
- instructions for installation, operation and maintenance

For the selection, installation, operation, and maintenance of locks and door hardware:

- architects and planners are obliged to request and observe all required product information from us.
- specialist dealers are obliged to observe product information and references in the price lists and to specifically request all necessary instructions from us and forward these to the fabricators.
- fabricators are obliged to observe all product information and specifically request operating and maintenance instructions from us and forward these to the clients and users.



For doors and door-related products, a whole range of standards and directives exists. The most important standards are:

DIN 107

Building construction; identification of right and left side

DIN 1080, part 1

Definitions, symbols and units in civil engineering, basics

DIN 4102, part 5 and 18

Part 5: Behaviour of building materials and components in fire; fire barriers, barriers in lift wells and against fire resistant glazings

Part 18: Fire behaviour of building materials and components; fire barriers, verification of automatic closure (continuous performance test)

DIN 18055

Windows; joint impermeability, tightness against driving rain and to mechanical stress; specifications and tests

DIN 18082, part 1 and 3

Part 1: Fire barriers, steel doors T30-1, type A

Part 3: Fire barriers, steel doors T30-1, type B

DIN 18095 part 1 and 2

Part 1: Doors; smoke control doors; definitions and requirements

Part 2: Doors; smoke control doors; type testing of durability and tightness

DIN 18100

Doors; wall openings for doors; dimensions according to DIN 4172

DIN 18101

Doors, doors for buildings; sizes of door leaves, position of hinges and lock; interdependence of dimensions

DIN 18111, part 1

Door frames, steel door frames, standard door frames for rebated doors in masonry

DIN 18250

Mortise locks for fire rated doors

DIN 18251

Locks; mortise locks for doors

DIN 18252

Profile cylinders for door locks; terminology, designations

DIN 18255

Building hardware; door lever handles, backplates and escutcheons – Definitions, dimensions, requirements

DIN 18257

Building hardware; security hardware – definitions, measurements, requirements, testing and markings

DIN 18273

Building hardware; lever handle units for fire doors and smoke control doors – terms and definitions, dimensions, requirements and testing

DIN 18357

German construction contract procedures (VOB), part C: General technical specifications in construction contracts (ATV) – mounting of door and window hardware

DIN 18361

German construction contract procedures (VOB), part C: General technical specifications in construction contracts (ATV) – glazing work

DIN 68706, part 1

Interior doors of timber and timber materials, plywood doors, terms, preferential dimensions, structural features

EN 179

Emergency exit devices operated by a lever handle or push pad

EN 1125

Panic exit devices operated by a horizontal bar

EN 1154

Controlled door closing devices

EN 1303

Building hardware – cylinders for locks – requirements and test methods

EN 1627

Windows, doors, shutters – burglar resistance – requirements and classification

EN 1628

Windows, doors, shutters – burglar resistance – test method for the determination of resistance under static loading

EN 1629

Windows, doors and shutters – burglar resistance – test method for the determination of resistance under dynamic loading

EN 1630

Windows, doors, shutters – burglar resistance – test method for the determination of resistance to manual burglary attempts

EN 1634, parts 1 and 3

Fire resistance tests for door assemblies and barriers

Part 1: Fire barriers

Part 3: Smoke control doors and shutters

EN 1906

Building hardware, lever handles and door knobs – requirements and test methods

Overall table of contents



General information

Table of contents.....	7
Service, planning, seminars.....	8

Ordering made easy

Your guide to using the catalogue.....	10
Materials and finishes.....	12
Explanation of pictographs.....	13

Lock and door hardware combinations

Single-leaf doors with standard function.....	15
Double-leaf doors with standard function.....	16-17
Single-leaf doors with panic function to EN 179.....	18-19
Single-leaf doors with panic function to EN 1125.....	20-21
Double-leaf doors with panic function to EN 179.....	22-23
Double-leaf doors with panic function to EN 1125.....	24-25
Special applications.....	26
Combination NE 100.....	28-31
Combination NEO 400.....	32-35
Combination NE 120.....	36-39
Combination NEO 420.....	40-43
Combination NZA 150.....	44-47
Combination NZO 400.....	48-51
Combination NZA 190.....	52-55
Combination NZA 110.....	56-59
Combination NZA 170.....	60-63
Combination PE 100.....	64-67
Combination PEO 400.....	68-71
Combination PES 100.....	72-75
Combination PE 120.....	76-79
Combination PE 210.....	80-83
Combination PEO 420.....	84-87
Combination PES 120.....	88-91
Combination PE 105.....	92-95
Combination PEO 405.....	96-99
Combination PES 105.....	100-103
Combination PE 125.....	104-107
Combination PEO 425.....	108-111
Combination PES 125.....	112-115
Combination PZA 110.....	116-119
Combination PZO 110.....	120-123
Combination PZAS 110.....	124-127
Combination PZA 170.....	128-131
Combination PZO 170.....	132-135
Combination PZA 210.....	136-139
Combination PZAS 170.....	140-143
Combination PZA 115.....	144-147
Combination PZO 115.....	148-151
Combination PZAS 115.....	152-155
Combination PZA 175.....	156-159
Combination PZO 175.....	160-163
Combination PZAS 175.....	164-167

Special applications

Panic function on the higher-mounted interior lever handle on the passive leaf.....	168
Higher-mounted panic door hardware on the active leaf.....	169
Escape door locking.....	170
Kindergarten function.....	171
Access control.....	172
Automatic door function.....	173
Escape door locking – for double-leaf doors.....	174
Kindergarten function – for double-leaf doors.....	175
Access control – 2-leaf doors.....	176
Automatic door function – double-leaf doors.....	177

Locks and multi-points locks

Table of contents Product and ordering information 179

Product features 180-181

Manual-locking locking systems – mortise locks

0215 interior door lock 182

0415 interior door lock 184

B-0515 project lock 186

B-0615 heavy-duty lock 188

B-0515 project lock 190

B-0615 heavy-duty lock 192

B 1308 deadbolt lock 194

B 1307 latch lock 196

B-0055 swing door lock 198

0353 sliding door lock 200

0371 / 0372 sliding door lock 202

0375 sliding door lock 204

0381 sliding door lock 206

0393 sliding door lock 208

B-0024 entrance door lock 210

B 1206 fire rated door lock 212

B-6306 security door lock 214

B-1125 fire rated door lock 216

B 2327 fire rated door lock 218

B-2338 fire rated door lock 220

B 6043 lock for radiation protection doors 222

Manual-locking locking systems – mortise locks with panic function

B-1125 fire rated door lock 224

B-1125 fire rated door lock 226

Manual-locking locking systems – mortise locks with panic function – series 23

B-2320 panic lock 228

B-2321 panic lock 230

B-2322 panic lock 232

B-2323 panic lock 234

B-2324 panic lock 236

B-2325 panic lock 238

B-2326 panic lock 240

B-2327 panic lock 242

B 2328 panic lock 244

B-2330 panic lock 246

B-2331 panic lock 248

B-2332 panic lock 250

B-2333 panic lock 252

B-2334 panic lock 254

B-2335 panic lock 256

B-2336 panic lock 258

B-2337 panic lock 260

B-2340 panic lock 262

B-2341 panic lock 264

B-2344 panic lock 266

B-2346 panic lock 268

B-2348 panic lock 270

B-2349 panic lock 272

B-2368 lock 274

B 2390/B 2396 shoot-bolt lock 276

B 2390/B 2396 shoot-bolt lock 278

B 2391 shoot-bolt lock 280

B 2392 shoot-bolt lock 282

B 2392 shoot-bolt lock 284

B-2393 motor-driven shoot-bolt lock, 286

B 2394 secured shoot-bolt lock 288

B 2397 secured shoot-bolt lock 290

B 2495 shoot-bolt lock 292

Self-locking locking systems – mortise locks – series 21

B 2124 mortise lock 294

B 2154 entrance door lock 296

Self-locking locking systems –

mortise locks with panic function – series 21

B-2100 panic lock 298

B-2101 panic lock 300

B-2102 panic lock 302

B-2103 panic lock 304

B-2106 panic lock 306

B-2107 panic lock 308

B-2110 panic lock 310

B-2111 panic lock 312

B-2112 panic lock 314

B-2113 panic lock 316

B-2116 panic lock 318

B-2117 panic lock 320

B 2156 panic lock for front entrance door 322

B-2120 electrically-locking panic lock 324

B-2126 electrically-locking panic lock 326

B-2170 electrically-locking panic lock 328

B-2171 electrically-locking panic lock 330

B-2175 electrically-locking panic lock 332

B-2180 electrically-locking panic lock 334

B-2181 electrically-locking panic lock 336

B 2170 electrically coupled radio battery lock 338

B 2171 electrically coupled radio battery lock 340

B 2189 shoot-bolt lock 342

B 2189 shoot-bolt lock 344

B 2190 shoot-bolt lock 346

B 2190 shoot-bolt lock 348

B-2193 motor-driven shoot-bolt lock, 350

Self-locking locking systems – multi-point locks – series 21

SECURY 2178 EK 352

Self-locking locking systems –

multi-point locks with panic function – series 21

SECURY 2110 354

SECURY 2111 356

Overall table of contents



SECURY 2112.....	358	Radio transmitter/Radio receiver	412
SECURY 2113.....	360	Handheld radio transmitter	413
SECURY 2116.....	362	B 5465 electric escape door strike	414
SECURY 2119.....	364	SECUREconnect/cable link.....	415
SECURY 2166.....	366	Cable links.....	416
SECURY 2169.....	368	Monitoring contacts.....	417
SECURY 2170 EK.....	370	Monitoring contacts/Emergency power buffer	418
SECURY 2171 EK.....	372	Connecting cable/A-opener	419
SECURY 2116 EVP/SECURY 2116 S EVP	374		
Accessories – locks			
B-9045 silent latch/Adapter for top-locking feature.....	376		
B 1595 passive-leaf control lock	377		
B 1795/B 1796 spring-operated top latch.....	378		
B 1895 passive-leaf control lock	379		
B 2598 remote lock.....	380		
B-1898 shoot-bolt/B 1899 lever-operated shoot-bolt lock	381		
SECURY 21 faceplate extension/Torque screwdriver	382		
Carrier bar MNK 8642	383		
Accessories – strikers			
S204/S241 security angled striker	384		
2808 SECUR striker/2809 angled striker.....	385		
S400/S401 angled striker	386		
S403 lipped striker/S411 angled striker.....	387		
B 9000 deadbolt striker/S413 striker	388		
2828 U-striker/S448 striker	389		
B 9000 angled striker	390		
B 9000 lipped striker	391		
B 9000 lipped striker/B-9000 flat striker	392		
B-9000 flat striker	393		
B-9000 lipped striker	394		
B-9000 lipped striker/ B-9000 angled striker.....	395		
B-9000 flat striker/B-9000 lipped striker.....	396		
9-49431 lipped striker/ 6-38426 deadbolt monitoring contact.....	397		
Strikers for SECURY 21	398		
Strikers for SECURY 21 EVP	399		
6-31985 striker	400		
9-38551 angled striker/B 9000 lipped striker.....	401		
Accessories – miscellaneous			
B 9006 vertical rod	402		
B 9006 vertical rod/ B 9036 spring-loaded vertical rod.....	403		
B 9009/B-0028 floor striker	404		
B-9003 floor striker/B 9019 guide plate for vertical rod	405		
GU-BKS electric strike ET 8.....	406		
GU-BKS electric strike ET 8 METÖ	408		
Control units/Emergency power buffer	410		
I/O module.....	411		
Door hardware for escape doors to EN 1125			
Table of contents.....	421		
Electrically-locking Touch Bar EVT	422		
B-7441 touch bar.....	424		
B-7443 touch bar with short backplate	426		
Push bar with backplate.....	428		
B-7403 cranked push bar with backplate.....	432		
B 7130 push bar sets	434		
B 7130 push bar.....	437		
B 7131 touch bar.....	441		
Accessories for B 7130 push bar/B 7131 touch bar.....	444		
Accessories for door hardware			
Square spindles	446		
Fixing accessories/B 9032 monitoring contact for push bar...	449		
Escape door security			
Table of contents.....	451		
Escape door control units			
FTNT10 escape door control units	452		
FTNTAP on-wall escape door control units	454		
I/O module IO10 on-wall/ IO5 in-wall.....	456		
FTNT10/FTNT20 escape door control units	457		
B 5580 code keypad	458		
Locking elements			
Electric escape door strike	460		
Magnetic locks.....	461		
Accessories for escape door control units			
On-wall housings/frames/covers.....	462		
Power supply units/Accessories.....	463		
Visualisation			
BKS-NET panel.....	464		
BKS-NET system software.....	466		
System management			
BKS-NET system management.....	468		
Bus components	469		

Technical information

Table of contents.....	471
------------------------	-----

Standards at a glance

Classification code EN 179	472
Classification code EN 1125	473
Classification code EN 12209.....	474
Classification code EN 14846.....	476
Doors in escape and rescue routes in accordance with EN 179 and EN 1125 On the safe side with GU group products.....	478
On the safe side with GU group products.....	480
Marking in accordance with the CPR	481

Functional descriptionen

Double-acting panic function.....	482
Single-acting panic function.....	483
Panic function for outward opening doors	484
Panic function for inward opening doors.....	485
Panic function B.....	486
Panic function C	487
Panic function D	488
Panic function E.....	489
Panic function P.....	490
Top-locking on active and passive leaf	491
Jamming of double-leaf doors/Swiss round profile-cylinder ...	492
Reversible latch of series 23, reversible latchbolt of series 21/silent latch	493
Switchable panic function series 23/series 21	494
Latch holdback series 23/series 21	495

Wiring diagrams

Lock monitoring – series 23	496
Lock monitoring – series 21	497
Lock status monitoring – B -217x/B -218x electrically coupled locks	498
Electrically coupled multi-point locks – SECURY 21 EK 2170/2171/2178.....	500
Multi-point locks with monitoring contacts – SECURY 2116 S/2119 S	502
A-opener set – for SECURY multi-point locks.....	503

Useful information

Table of contents.....	505
Instructions for use.....	506
Product liability.....	508
Standards and regulations at a glance	509
Overall table of contents.....	510
Exclusion of liability / Copyright notice / Image credits	514



Exclusion of liability

The information provided in this catalogue consists of product descriptions. This is general information based on our experience and tests and therefore does not take any specific application into account. No claims for compensation can be made on the basis of the product descriptions.

Although we have made every attempt to ensure the information provided here is accurate, it is non-binding. It should be adapted to the respective construction projects, usage and specific on-site demands.

The catalogue has been compiled to the best of our knowledge. The Gretschn-Unitas group accepts no liability for any errors. The document is subject to modifications during the course of technical developments.

The product images shown in the catalogue may differ from the actual product.

Copyright notice

© All illustrations and texts in this catalogue are protected by copyright. Unless otherwise stated in the image credits, the rights belong to the Gretschn-Unitas group. Any use of copyright protected materials without the consent of the holder of the rights is prohibited.

Image credits

Page 504: Globe with streaks of light kindly provided by Photographer's Choice RF/Getty Images

Publisher

Gretschn-Unitas GmbH
Baubeschlage
Johann-Maus-Str. 3
71254 Ditzingen, Germany
Tel. +49 71 56 3 01-0
Fax +49 71 56 3 01-293
www.g-u.com



WINDOW TECHNOLOGY
DOOR TECHNOLOGY
AUTOMATIC ENTRANCE SYSTEMS
BUILDING MANAGEMENT SYSTEMS

Gretsch-Unitas GmbH
Baubeschläge
Johann-Maus-Str. 3
71254 Ditzingen
Germany
Tel. +49 7156 301-0
Fax +49 7156 301-77980

BKS GmbH
Heidestr. 71
42549 Velbert
Germany
Tel. +49 2051 201-0
Fax +49 2051 201-9733

GU Automatic GmbH
Karl-Schiller-Str. 12
33397 Rietberg
Germany
Tel. +49 5244 9075-100
Fax +49 5244 9075-599

www.g-u.com