



WINDOW TECHNOLOGY
DOOR TECHNOLOGY
AUTOMATIC ENTRANCE SYSTEMS
BUILDING MANAGEMENT SYSTEMS



DOOR TECHNOLOGY – PLANNING GUIDE AND ORDER CATALOGUE

System solutions for narrow stile doors

Edition 04/2018

- Modern door solutions
- Lock and door hardware combinations
- Locks and multi-point locks
for PC and Swiss round cylinder
- Door hardware for escape doors
to EN 1125
- Escape door security

Securing technology for you



The door-engineering competence of the GU group



By courtesy of Kap Planungsbüro für Bauleistungen GmbH, Fellbach

Locks

Comfortable and secure door functions for timber and steel doors. From a sophisticated panic lock for escape doors in compliance with EN 179 / EN 1125 down to a simple mortise lock to DIN 18251 – here you will find the right lock for practically every application.

Hardware

You can select the design and material that fits your particular application from our door handle sets, touch bars or push bars. For more information on door hardware, please refer to our planning guide and order catalogue "Door hardware and handles for windows and sliding-door elements" (WP00060).

Escape door security

To ensure safe and secure escape routes in compliance with EltVTR, you can combine products from the GU group into system solutions with a perfect interplay of functions.

Modern door solutions

I – General information

Table of contents	5
-------------------	---

II – Technical information

Table of contents	27
-------------------	----

Lock and door hardware combinations

Overview of series	57 – 68
Single and double-leaf doors with standard function	70 – 97
Single and double-leaf doors with panic function	98 – 217
Special applications	218 – 225

Locks and multi-point locks for PC and Swiss RC

from page 227

Overview – product features	228 – 231
Manual-locking locking systems	232 – 345
Self-locking locking systems	346 – 409
Accessories	410 – 453

Door hardware for escape doors to EN 1125

from page 455

Electrically-locking Touch Bar EVT	456 – 457
Touch bars	458 – 461
Push bars	462 – 469
Face-fixed panic exit devices	470 – 481
Accessories	482 – 485

Escape door security

from page 487

Escape door control units	488 – 494
Locking elements	496 – 497
Accessories for escape door control units	498 – 499
Visualisation and system management	500 – 505

Useful information

from page 507

Instructions for use	508 – 509
Product liability	510
Overview of standards and directives	511
The GU group worldwide	512
Successfully certified	513
Exclusion of liability, copyright notice, image credits	518



Modern escape and rescue routes	
Interplay of components	6
Make 1 out of 4 – and 4 out of 1	
Self-locking panic lock of series 19	8
Motor-driven shoot-bolt lock	
For double-leaf doors	10
Hardware for doors, handles for windows and sliding elements	
	12
Door closers with slide rail	
The innovative modular system of the OTS 73x series	14
Centralised control and visualisation	
Building bus for system management	16
More than just products	
Construction Products Regulation (CPR)	18
Service, planning, seminars	20
Ordering made easy	
Your guide to using the catalogue	22
Materials and finishes	24
Explanation of pictographs	25

Modern escape and rescue routes in accordance to EN 179/EN 1125

Interplay of components





Series 19/narrow stile and series 21/timber and steel Electric escape door strike and electrically-locking panic lock EVP

Tailor-made solutions

As far as escape and rescue routes are concerned, Gretsch-Unitas offers security as a one-stop service. After all, only coherent system solutions that are individually adapted to the conditions in the project will meet the most exacting requirements for structural safety.

The solutions also appeal due to their economic efficiency. This is because the assortment of system components is so wide ranging that all solutions, from standard through to exclusive one-off solutions, can be implemented.



Electrically-locking Touch Bar EVT – more safety in modern design

Escape door packages as a complete solution

The new EVT (electrically-locking Touch Bar) and EVP (electrically-locking panic lock) in conjunction with the FTNT escape door control unit ensure that personal safety during a panic situation and maximum security for material property is not a contradiction. And what's more, the number of system components is reduced to a minimum.

The **electrically-locking Touch Bar EVT solution** combines panic hardware and escape door locking technology in accordance with EltVTR and EN 13637 into one system. The integrated LED display in the Touch Bar clearly indicates whether the system is "locked" or "unlocked".

The **EVP electrically-locking panic lock** is a compact solution which combines a self-locking panic lock (or SECURY multi-point lock) with electric escape door locking. A compact solution that saves plenty of (planning) time.



FTNT escape door control unit with innovative signalling concept

Both **escape door packages** are used in conjunction with the **FTNT escape door control unit** and can be networked via the BKS-NET door bus interface.

High-performance safe solutions according to current standards such as EN 179/ EN 1125 and DIN EN 13637 are available to planners and precisely tailored to the requirements of the project.

The interaction between products from the Gretsch-Unitas Group **as tested units is unique to the market**. It means that all functions are fully compatible and aesthetic demands are consistently met.

Make 1 out of 4 – and 4 out of 1

Self-locking panic lock of series 19





The inward-outward reversible panic function provides outstanding flexibility



The reversible latchbolt automatically projects 20 mm in its locking position and contributes towards improved warehousing efficiency



The top-locking feature allows the spring force to be adjusted individually to cater for different door heights



Hardware can be through-fixed, also with narrow stile rosettes

Flexibility, efficiency, security

The BKS series 19 panic locks – self-locking mortise locks for 1-leaf and 2-leaf narrow stile doors – have been developed from the successful series 18 locks.

Thanks to their identical lock case height, non-handed reversible latch with split follower and inward-outward reversible panic function, the self-locking series 19 mortise locks for 1-leaf and 2-leaf narrow stile doors provide more flexibility and, at the same time, reduce warehousing costs. The additional flexibility is especially advantageous for on-site installation.

Lock variants with top-locking feature also include an integrated spring assembly for the use of standard vertical rods.

This equipment asset enables individual adjustment of the spring force for various door heights directly on the lock case. Special connecting rods with locking springs are no longer required. This product advantage considerably reduces warehousing costs and ensures flexible production.

Furthermore, an optional "monitoring package" is offered which includes contacts required for latchbolt, cylinder cam and follower monitoring. As the lock case is only 15.5 mm thick, it can be installed in every profile.

The self-locking latchbolt has a throw of 20 mm as standard. Series 19 satisfies the requirements of DIN 18251-2, class 5.

An additional quality feature is the new type of hardware fastening above the square spindle follower. It guarantees continuous fastening of narrow stile rosettes and ensures that escape door hardware is securely attached. The comprehensive range for narrow stile doors is supplemented by the new shoot-bolt locks for passive leaves and push bars developed as part of the new design according to EN 1125.

Motor-driven shoot-bolt lock

For double-leaf doors





Solutions for barrier freedom must also reflect the exacting security requirements for public buildings. The motor-driven shoot-bolt lock in conjunction with automatic swing-door drives is particularly suitable for use on double-leaf doors. When you opt for GU, you opt for a one-stop solution consisting of perfectly harmonised components.

Such systems are typically used in buildings where external doors must be securely locked at particular times or at all times while allowing barrier-free and convenient access and also functioning as an escape route. This includes applications in health centres, schools and multi-purpose buildings, care homes and event centres as well as office buildings and shopping malls.

The narrow stile door lock features a particularly fast-acting motor and three functions: the movement of the lower and upper locking rods is motor driven, it can (if required) perform a permanently-open function for the daily pass-through operation and finally provides the electric strike function, which holds the passive leaf closed and only allows the active leaf to open.

Benefits of the motor-driven shoot-bolt lock

- Security: passive leaf with top and bottom locking, also in combination with multi-point locking if required
- Comfort: fast motor = quick unlocking
- Efficiency: fast installation – only one milling required for the lock pocket
- Costs: no power supply required for the active leaf = no wiring
- Flexibility: 2-leaf doors can be used as single-leaf doors without motor-driven lock or electric strike

Door hardware and handles for windows and sliding elements



RONDO



Overview of series



BELCANTO



DIRIGENT



BELCANTO-PANIK



OFFICE



LEGATO



TREMOLO



Handles for windows and sliding elements

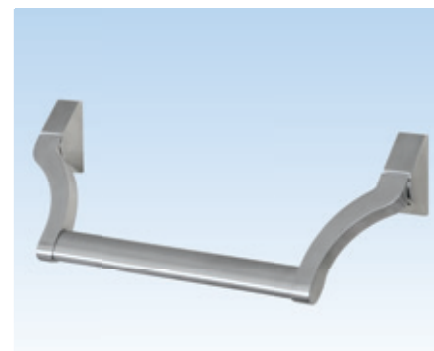
The hardware solutions and lever handle series from the GU group make it possible to maintain a consistent design throughout a building for both windows and doors. Ranging from standard hardware to burglar-inhibiting variants through to versions for fire protection, smoke protection and escape doors – there are all variants to choose from.

The diversity and flexible compatibility of all products of the Gretsch-Unitas group give architects the opportunity to incorporate high-quality harmonised products and design lines for projects into their planning.



Maintenance-free lever handles (WDL) with plug-in modular principle, grade 4

The hardware range offers a broad spectrum of hardware for timber and steel doors as well as aluminium and PVC narrow stile doors. The series also extends to hardware for large-format elements, such as Parallel-Slide, Tilt&Slide and Lift&Slide units and glass doors and escape doors in accordance with EN 1125. The planner can simply select the design and material that fits the particular application from our door handle sets, touch bars or push bars.



Door hardware for escape doors to EN 1125

The design-orientated hardware for project doors feature a maintenance-free lever bearing (WDL). This hardware range consists of seven different lever handle series with various lever handle models. By combining the handles with different door knob models and backplate designs, and by selecting either PC-hole or Swiss RC-hole, you can create your own individual hardware variants. All of these satisfy the grade 4 in accordance with EN 1906.

For further information please see our planning guide and order catalogue "**Door hardware and handles for windows and sliding elements**" (WP00060).



The following hole patterns are available for the backplates:

- Profile cylinder
- Swiss round cylinder
- Warded keyhole
- Bathroom
- Without PC-hole

Door closers with slide rail

The innovative modular system of the OTS 73x series



Person photo: Little girl running kindly provided by Rubberball collection, Nicole Hill/Getty Images



Straightforward access and sophisticated appearance with double-heart curve technology to ensure compliance with DIN SPEC 1104 – the OTS 73x series



Unrestricted everyday access – closing force activated in the event of fire – the OTS 73x with free-swing function



Concealed installation in door leaf and frame – the VTS 735

The OTS 73x door closer series

Whether used in fire protection, barrier-free construction or for burglar protection: the automatic closing of doors using an overhead door closer has an important role to play in public and private buildings. It is fortunate therefore that this exceptionally compact solution that ensures a high degree of comfort and barrier freedom is available. Whether face-fixed, with free-swing function or concealed: with an all-encompassing product range the slide rail door closer generation of the OTS 73x series caters for an extremely wide range of applications and requirements. Irrespective of the door closer version you use, rest assured it will always provide security that complies with the standards. The smallest of their type, the OTS 73x series of door closers with slide rail combines attractive design with straightforward opening – in compliance with the standards DIN SPEC 1104 and DIN 18040 for barrier-free construction.

High degree of comfort and slender appearance: the OTS 73x series

The comprehensive product range of the OTS 73x series is in a class of its own due to an attractive design and high degree of opening comfort: although even more compact and elegant, the new generation of tried-and-tested closers with slide arm is still easy and pleasant to operate.

The right solution for every application

School, hotel or airport? Single or double-leaf doors? Installation on the hinge-side or side opposite to hinges? Transom or standard installation? Each door closer is an individual answer to specific building situations and door variants. The innovative modular system of the OTS 73x series meets these requirements in every respect which makes it much easier to plan and install any application.

In addition, the modular system allows fast retrofitting and additional functions to be easily incorporated when implementing special solutions.

Advantages at a glance

- Patented double-heart curve technology for maximum comfort
- Opening and closing movement can be precisely controlled
- Colour-coded control valves prevent mixups during adjustment
- Smallest closer body on the market, dimensions of all versions incl. cover: 268 x 63 x 44 mm (L x H x D)
- One slide rail, one slide arm, one concealed symmetrical mounting plate and one axle extension for all applications and installation types
- Identical dimensions and hole patterns with the same visual appearance
- Concealed mounting plate: for a high-quality cohesive visual appearance
- Robust cover instead of a slider: available in different materials and finishes

Centralised control and visualisation

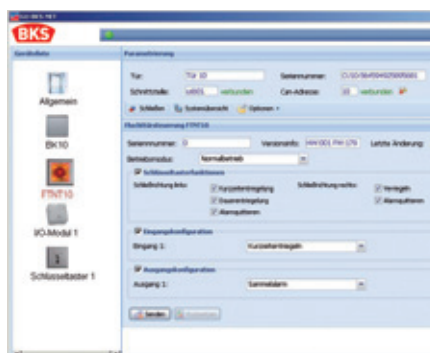
Building bus for system management





BKS-NET compatible products, e.g. FTNT10 escape door control unit

BKS-NET networks the electromechanical systems of GU group using modern bus communication, thus ensuring an automatic interplay of functions. Its modern system structure comprises centralised system configuration as well as centralised system monitoring. The main focus is always put on the door as a functional entity. All compatible products are marked with the BKS-NET logo label. All BKS-NET-capable products can be configured via the same user interface of the BKS-NET system software.



CF10 configuration software

Products connected via USB or the network are automatically detected by the CF10 configuration software and can be unambiguously identified due to the integral product images. Great importance has been attached to an intuitive user interface enabling even inexperienced operators to configure their products. As an efficient upgrade of the configuration software, the OV10 online visualisation tool. This allows floor plans with doors to be displayed and real-time visualisation of all door statuses.



OV10 online visualisation module

Doors can be controlled conveniently by mouse click provided the operator is authorised to do so. The BKS-NET panel can also be used for operation. This means, for example, that all escape doors can be controlled and monitored centrally from a reception desk. Its touch-sensitive display is operated with the finger tip – there is no need for a keyboard or a mouse.

More than just products

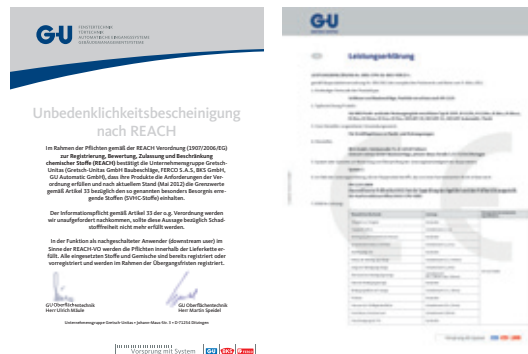
Construction Products Regulation (CPR)



Modern architect's desk kindly provided by Collection E+/Getty Images



You can download certificates and Declarations of Performance (DoP) for our products on our website at: www.g-u.com/en/services/construction-products-regulation.html.



Declaration of Performance

In July 2013, the Construction Products Regulation (CPR) superseded the Construction Products Directive (CPD) which existed since 1989. Construction products brought onto the market after 1 July 2013 must satisfy the requirements of the European Construction Products Regulation (CPR). This change does not affect products that were already on the market at the time this regulation came into force.

Construction Products Regulation (CPR) 2013, Europe-wide binding uniform specifications

The CPR regulates the market introduction of construction products so that buildings are developed and realised in such a way that they do not endanger the safety of people or goods nor damage the environment. To achieve these objectives, the regulation precisely defines important characteristics of construction products in harmonised standards. A Declaration of Performance is required for products that are covered by a harmonised standard.

In contrast to the previous Construction Products Directive, the implementation of which was governed by national laws, the legal form now chosen was the ordinance which demands legal validity directly in all European member states. As a consequence, the CE marking is implemented Europe-wide in accordance with uniform requirements which avoids discrepancies arising as a result of national regulations. This further promotes, increases transparency and creates more uniform structures Europe-wide in relation to the free movement of goods and the unrestricted use of construction products.

The Declaration of Performance (DoP) will become the central document via which the manufacturer of the building product takes responsibility for ensuring that his products conform with the declared performances. It is the basis for the CE marking and must be available for each construction product. The CE mark on the construction product signals compliance of the product with the declared performance.

We make all Declarations of Performance for GU group construction products available on our website as "DoP" downloads.

When the CPR came into force, a market monitoring was introduced throughout Europe. In Germany, this was implemented by the German Institute of Building Technology (DIBt). In the event of contraventions, fines and/or custodial sentences may be imposed.

In the Gretscht-Unitas group of companies, the CPR covers products which are used in escape and rescue routes or with fire and smoke protection requirements. We have labelled the corresponding products and product groups in the catalogue with our pictographs. This means you can see at a glance that the product is CPR-compliant. The products in our extensive range are designed to meet rigorous demands and deliver performance, reliability and longevity and are harmonised with one another. The diversity of the group's range provides you with many advantages.

When you opt for our products you can expect certified outstanding quality at all times in accordance with EN ISO 9001.

Systematic service

Service, planning, seminars

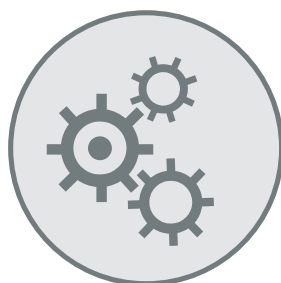


Securing technology for you



Building project consulting

We make your everyday work easier: building project consulting assists architects and planners; for example by preparing project-specific drawings and door schedules, cable diagrams and tender specifications or conceptual designs with functional descriptions. Our well thought-out and coordinated system solutions guarantee optimum functionality and also compliance with the required standards and directives.



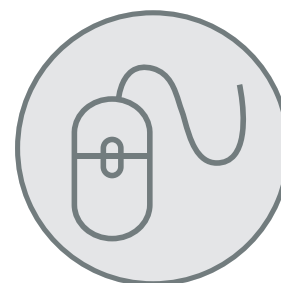
Door engineering

Step by step to the right door solution: the GU group door engineering concept is the last word in efficiency when it comes to configuration of individual doors. Solutions are developed based on experimental models that cleverly overlap the various trades. The documentation ensures maximum planning reliability based on clearly laid-out door configuration lists.



Tender-Text-Manager

Comprehensive, legally sound and technically up-to-date: with the Tender-Text-Manager, we are offering architects and planners a convenient and effective online tool that allows them to effortlessly compile technical specifications and complete tender specifications – for all GU group products.



Customer Information System

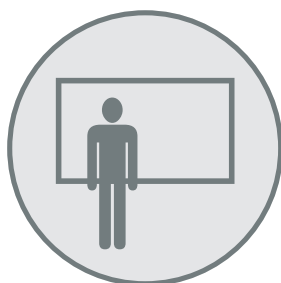
Available at the click of a mouse: the Customer Information System (CIS) is an ordering and information system for all GU group products. You can use the online platform 24 hours a day 7 days a week to access important information: from preparing a quotation through to performing an availability check in real time, from placing the order to order tracking.

A product on its own is not a solution. The correct level of security, function and cost-effectiveness can only be achieved with the right planning and by ensuring correct application. The GU group therefore also applies the systematic thought processes demonstrated in its product range to its service offering. Close interlinking of one-to-one expert advice, free online support and a comprehensive programme of technical seminars aims to make the day-to-day work of customers easier.



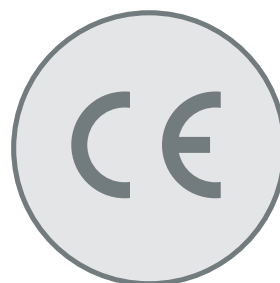
confiGUrator

The right products in the right quantity: the practical confiGUrator is an online platform where part lists and hardware sets can be precisely determined. Based on the specifications for the particular project, a technically correct parts list is generated within seconds. The data is determined based on current conditions and fundamental technical principles.



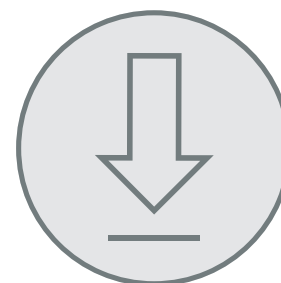
Seminars and training courses

Practical knowledge based on first-hand experience: with around 160 events annually, the GU group offers an extremely wide range of seminars and training courses. The programme includes product innovations and their applications, current architectural trends and standards and directives. Several seminars and training courses are certified and recognised as advanced training courses by the chamber of architects and civil engineers in Germany.



CE-certified products

Security you can rely on: the locks of the series 13, 18 and 19 and the SECURITY 19 multi-point locks are CE-certified. This is how the GU group reassures its customers that these products meet the requirements of the European Union. In addition, by using CE marking, we take responsibility for the fact that the products fulfil all the characteristics defined in the Declaration of Performance.



Free download

Planning made simple: a wide range of information on the products and applications is available to download from our company website to the local hard drive quickly, conveniently and free of charge: from product documents and installation drawings to Declarations of Performance through to software solutions.

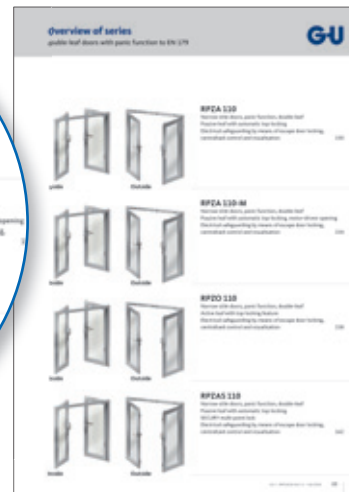
Ordering made easy

Your guide to using the catalogue



Door situations

The graphic examples illustrate the different single and double-leaf door situations. Different door versions (single or double-leaf doors) and door hardware sets are shown. The individual door situations are coded (e.g. RPZO 110) to simplify the search in the lock and door hardware combinations section of the catalogue. The description of the marking provides initial information regarding the lock designs.



Lock and door hardware combinations

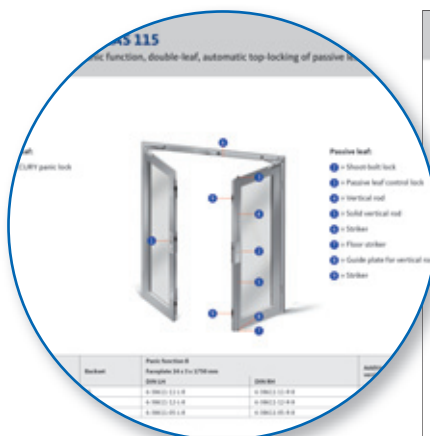
Each combination is documented on four pages in detail. In addition to the schematic illustration you will find a detailed functional description and application examples.



Selecting products: locks

This sample page shows the required locks including accessories. The necessary accessories are also included. The numbering of the components in the graphic helps to select the required products step-by-step.

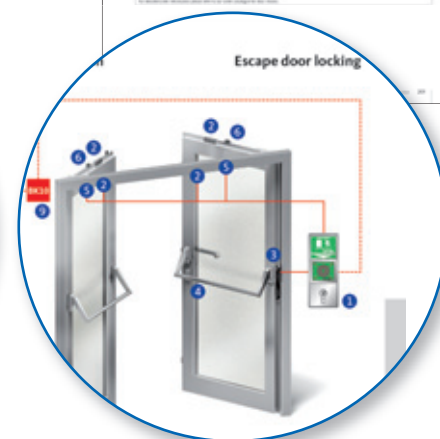
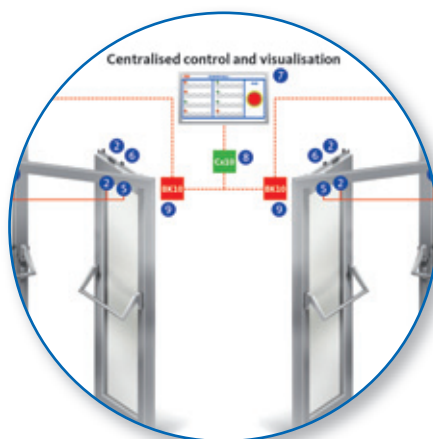
The article numbers shown represent only a selection of the available products. Additional variants can be found in the product catalogue. You will find the corresponding catalogue pages in the tables.



Selecting products: electronics

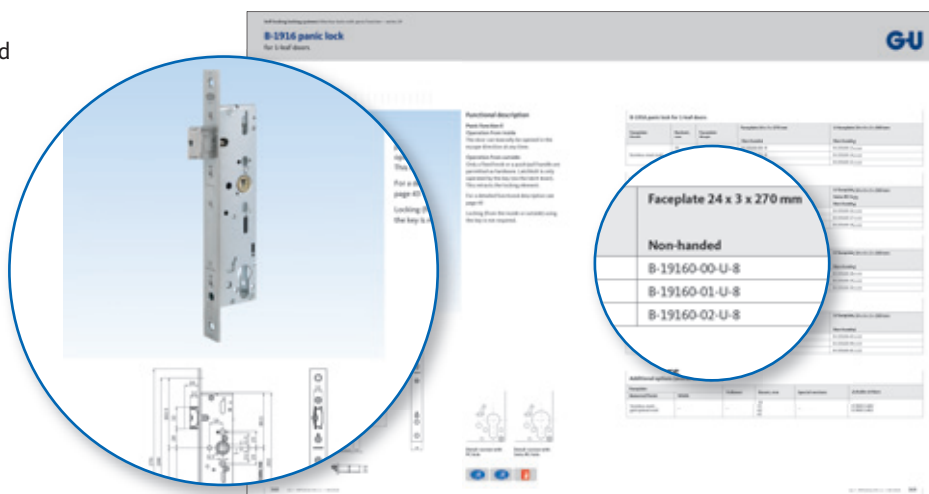
Each door situation is presented with possible lock monitoring options.

Additional graphics and the appropriate tables show possible connections to escape door locking, central visualisation and control systems. The appropriate electronic components are also shown in the product catalogue. The page numbers are indicated in the table.



Products

In addition to the product photograph and the dimensioned drawings, you can also find a detailed functional description and detailed product information on the double page spreads. The tables contain the corresponding order numbers for locks prepared for a profile cylinder or Swiss round cylinder. Depending on the product, descriptions of additional variants will be provided here.



Ordering made easy

Materials and finishes



The finishes and materials are for all window and door handles. We use high-quality aluminium alloys for the hardware range. Our stainless steel hardware is rust-free and distinguished by its outstanding performance characteristics.

Finish: 1 – silver/EV1 look

With its cool, slightly reflective finish, the silver/EV1 look perfectly complements modern interiors. This robust finish is impressive owing to its high impact- and scratch-resistance.

Finish: 8 – matt stainless steel

The matt stainless steel finish is particularly durable, making it an ideal, environmentally friendly alternative to other finish coatings.

Finish: 7 – white (RAL 9016)

Thanks to product-specific coating processes, we achieve optimum resistant finishes with particularly long-lasting durability, also in various RAL colours.

Finish: 3 – brass PVD

Our high-quality hardware in brass look is manufactured from stainless steel with a titanium (PVD) coating. Outstanding characteristics such as corrosion resistance, wear resistance and low maintenance set this finish apart from other finishes.

Finish: 9 – more finishes available on request

Our hardware solutions are also available in various special colours on request. Individual design solutions and colour concepts can thus be realised throughout the entire building.



*Order example I for selection of material/finish

Lever handle set with rosettes
 Square spindle 8 mm = B-70000-□□-0-□
 Cylinder hole – backplate design PC = 0
 Lever handle model RONDO H1.0 = 0
 Material/Finish 8 = matt stainless steel
 More finishes available on request.

Cylinder hole – backplate design

Lever handle model

Material/Finish

B-70000-□□-0-□ = order number B-70000-00-0-8

The following pictographs are used in this catalogue:



These products are approved as panic exit devices according to EN 1125.



These products are approved as emergency exit devices according to EN 179.



These products are suitable for use in fire protection doors.



These products have been tested in accordance with the directives for electronic locking systems for doors in rescue routes.



These products can be integrated into door management systems such as BKS-NET.



These products are CE-certified.



These products have been tested in accordance with EN 1906.



These products are suitable for barrier-free construction to DIN 18040.



These products are approved and evaluated by the German Association of Non-Life Insurers (VdS) according to individual directives for the prevention of loss.



These products are tested and certified in a wide range of security classes to meet individual burglar resistance demands.

DIN left or DIN right?

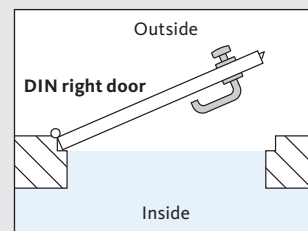
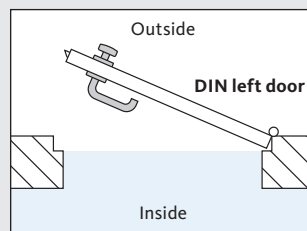
The order numbers in the catalogue differ depending on whether the door opens inwards or outwards and to the right or the left.

Door opening outwards

Entrance set, right

Inside: lever handle pointing to the right

Outside: knob pointing to the left



Entrance set, left

Inside: lever handle pointing to the left

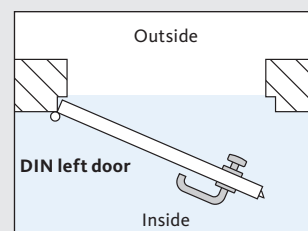
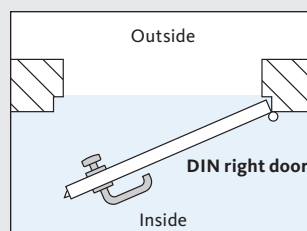
Outside: knob pointing to the right

Door opening inwards

Entrance set, right

Inside: lever handle pointing to the right

Outside: knob pointing to the left



Entrance set, left

Inside: lever handle pointing to the left

Outside: knob pointing to the right



Standards at a glance

Doors in escape and rescue routes in accordance with EN 179 and EN 1125	28
On the safe side with GU group products	30
Marking in accordance with the CPR	31

Function descriptions

Motor-driven shoot-bolt lock – functional description	32
Double-acting panic function	36
Single-acting panic function	37
Panic function – for outward-opening doors	38
Panic function – for inward-opening doors	39
Panic function B	40
Panic function C	41
Panic function D	42
Panic function E	43
Panic function P	44
Top-locking on active and passive leaf	45
Adjustable roller latch/End caps for U-faceplates	46
Jamming of 2-leaf doors/Swiss round cylinder	47
Reversible latch series 18/reversible latchbolt series 19	48
Reversible panic function series 18/series 19	49
Latch holdback series 18/series 19	49

Wiring diagrams

Lock monitoring – series 18	50
Lock monitoring – series 19	51
Lock monitoring – B 1956/B 1959 motor-driven locks	52
Lock status monitoring – B 197x/B 198x electrically coupled locks SECURY 19 EK 1970/1971 –	53
Multi-point locks: electrically coupled or with monitoring contacts	54
A-opener set – for SECURY multi-point locks	55

Standards at a glance

Doors in escape and rescue routes in accordance with EN 179 and EN 1125



From a safety perspective, all doors in rescue routes are escape doors. They are to be labelled accordingly and equipped with panic exit devices in accordance with European standards.

The lock, hardware and fixing accessories are tested together and may only be used as a tested unit. In addition to CE marking, they must also be marked with a classification code.

Scope of the test values

The test values defined in both standards apply to both 1-leaf and 2-leaf door elements. Likewise, the test values apply to locking systems with additional locking elements such as shoot-bolt locks or multi-point locks.



Emergency exit devices in accordance with EN 179

are designed for buildings or parts of buildings sections that are not open to the public, i.e. where users are familiar with the function of the escape doors. They are suitable for all applications where public traffic does not have to be taken into consideration.

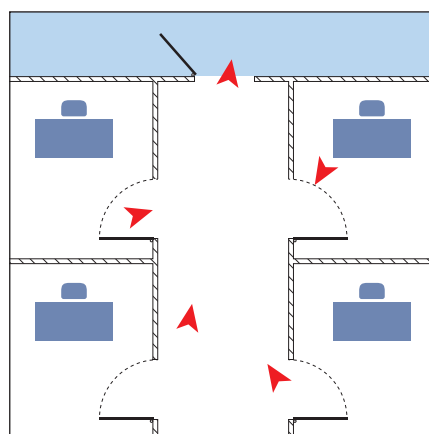
Application examples:

- Private housing
- Classrooms in schools
- Administrative buildings of industrial concerns not accessible to the public
- Areas in event buildings not accessible to the public
- Areas in airports, banks, shopping centres, etc. not accessible to the public

Lever handles or push pads are required as operating elements.

Easy opening of escape routes using emergency exit devices according to EN 179

During a durability test, all locking elements must be unlocked and the door released in the escape direction. To test under conditions that are as realistic as possible, the door element is pre-stressed with a force of 25 newtons to simulate the seal resistance. To achieve release with the maximum permissible tripping force of 70 newtons, low-friction interaction between the lever bearing, locking elements of the lock as well as the corresponding mounts in the door frame is required. Upon completion of the durability test, the locking systems are also subjected to a vandalism test to prove suitability for daily use.



Escape doors in accordance with EN 179 – no public access, office example

Panic exit devices in accordance with EN 1125

are used in public buildings or parts of buildings where visitors who are not familiar with the function of the escape doors must still be able to safely operate them without instruction in the event of an emergency. The objective is to provide a safe escape route with minimum effort and without previous knowledge of panic exit devices. Panic exit devices must also unlock safely if pressure (preload) is applied to the door (maximum 220 N with a pressure of 1,000 N on the door).

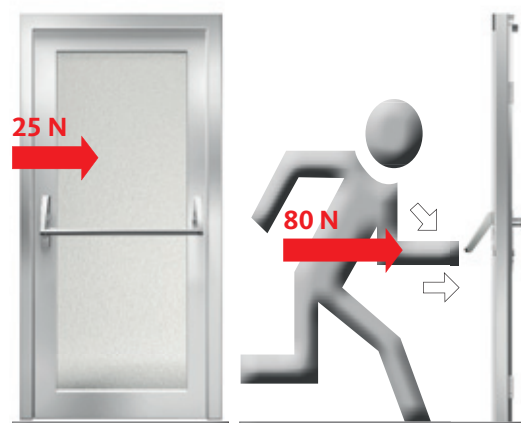
Application examples:

- Hospitals
- Escape routes in schools
- Public administration
- Areas in event buildings accessible to the public (cinema, theatre)
- Public areas in airports
- Public areas in shopping centres, etc.

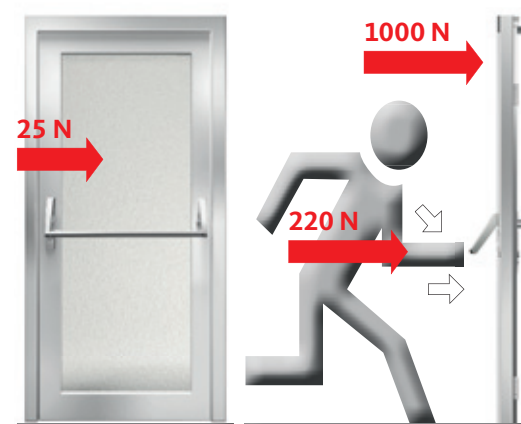
Push bars or touch bars are required as operating elements.

Easy opening of escape routes using panic exit devices according to EN 1125

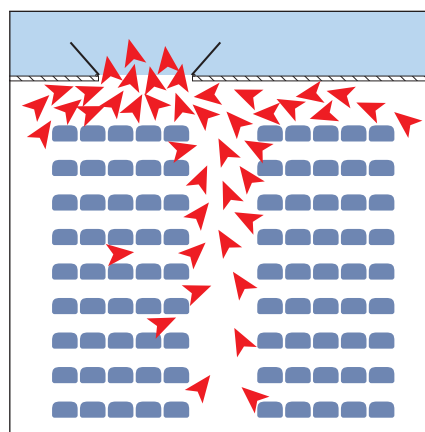
Each locking system is checked for suitability in two different tests. Panic exit devices are also subjected to a preload of 25 newtons to simulate gasket pressure. In the first test, the maximum permissible opening force of 80 newtons is used for testing to achieve release in the escape direction. During the second test, the door is preloaded with an additional 1,000 newtons to simulate the combined impact of several people against the door element at the same time. In this case, the maximum permissible tripping force of 220 newtons must not be exceeded. Upon completion of the durability test, the locking systems are also subjected to a vandalism test to prove suitability for daily use.



Test 1: Door leaf without preload



Test 2: Door leaf with a preload of 1,000 N



Escape doors in accordance with EN 1125 – with public traffic, example based on a theatre

Recommended use:

If the use of the building is not exactly known in the initial planning stages, panic exit devices in accordance with EN 1125 should preferably be installed. This also applies if the use of a building is likely to change in the future. Otherwise, significant retrofitting work may be necessary if the building inspection is repeated.

Standards at a glance

On the safe side with GU group products



CE-compliant products
from the GU group range for:

- ① = Emergency exit and panic exit devices
- ② = Mechanical/electromechanical exit devices
- ③–⑥ = Door closers, hold-open systems
- ⑦ = Fire alarm systems, smoke switches
- ⑧ = Door and window hinges
- ⑨ = Accessories



Example of a two-leaf escape door in accordance with EN 14351-1.

The following harmonised standards are applied to Gretsch-Unitas group products

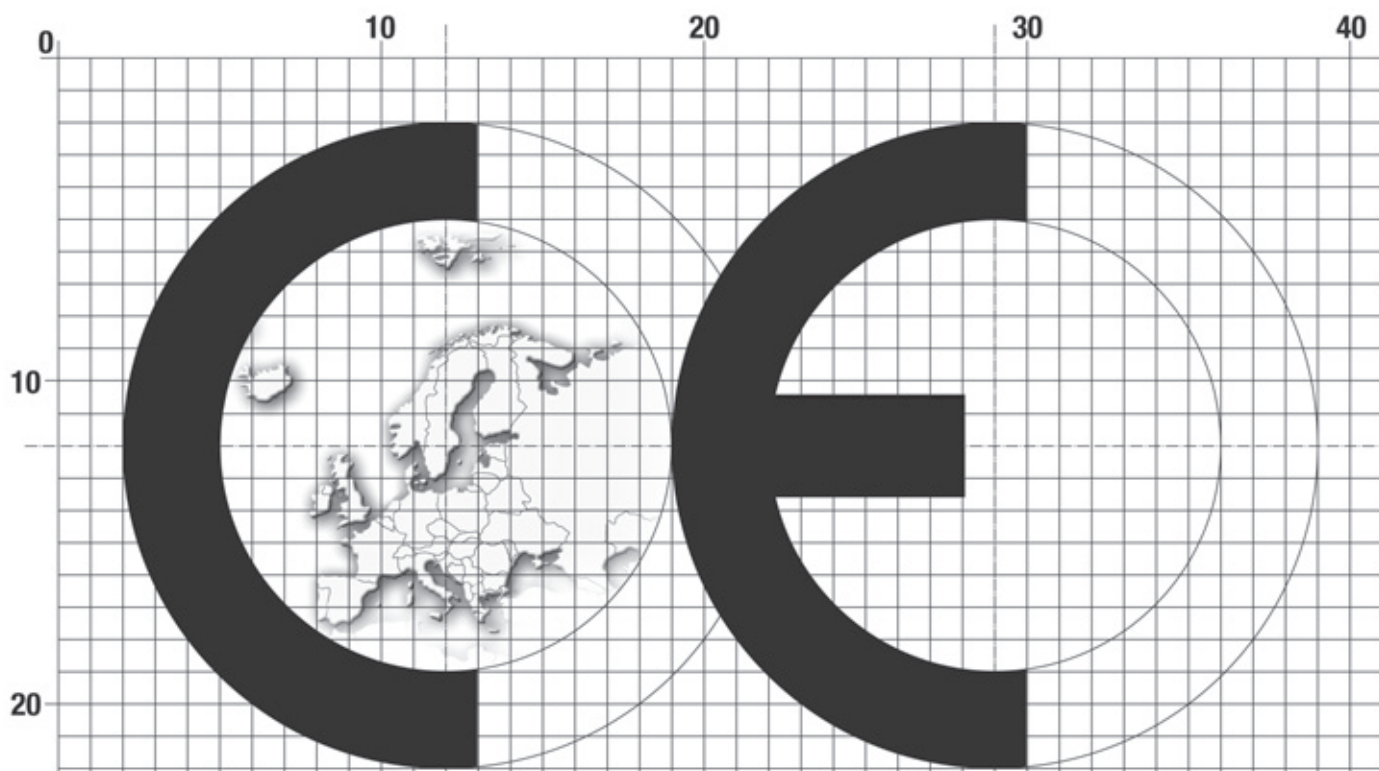
Description	
EN 179	① Emergency exit devices (in escape routes)
EN 1125	① Panic exit devices (in escape routes)
EN 14846	② Electromechanical locks and strikers (in fire protection doors)
EN 12209	② Mechanical locks and strikers (in fire protection doors)
EN 1154	③ Door closers (in fire and smoke protection doors)
EN 1158	④ Door-leaf coordinators (in fire and smoke protection doors)
EN 1155	⑤ Electrical dogging mechanisms in swing doors (in fire and smoke protection doors)
EN 14637	⑥ Electrically controlled hold-open systems (for fire and smoke protection doors)
EN 54-7	⑦ Fire alarm systems – (part 7: smoke switches)
EN 1935	⑧ Uniaxial door and window hinges (in escape routes and/or fire protection doors)
EN 14967	⑨ Sealing sheets – bitumen damp-proof sheets
EN 12101-2	Smoke and heat control systems

We have included a reference to the corresponding standards with the relevant products in our catalogue. This means you can see at a glance that the product is CPR-compliant.

The products in our extensive range are designed to meet rigorous demands and deliver performance, reliability and longevity and are harmonised with one another. The diversity of the group's range provides you with many advantages.

The CE symbol – redefining the familiar

Marking in accordance with the CPR



The CE marking is to be applied to the construction product itself or an attached label before the construction product is put into circulation and must be clearly visible, legible and permanent. If this is not possible, CE marking is to be attached to the packaging or the accompanying documents.

The letters, CE, are derived from Communautés Européennes (European communities) and, when attached to a product, signify that it meets the requirements of the European Union.

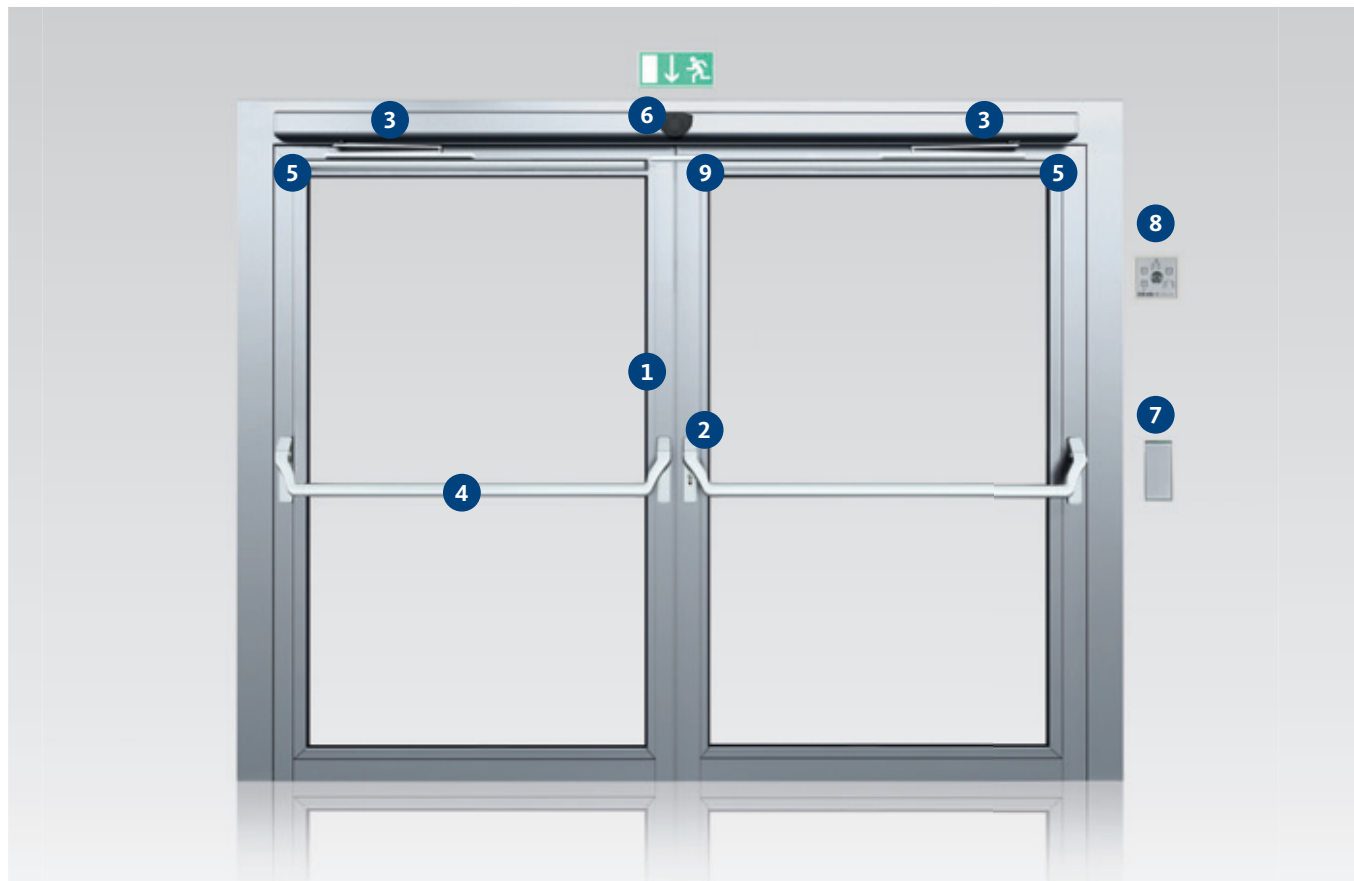
By attaching the CE marking, the manufacturer confirms that the product fulfils all statutory conditions for the CE marking.

This confirms that the manufacturer takes responsibility for compliance of the construction product with the characteristics listed in the Declaration of Performance.

"The CE marking is the technical passport for the product within the European Economic Area." (German institute for standardisation (Deutsches Institut für Normung e. V.))

Motor-driven shoot-bolt lock – functional description

Components: double-leaf narrow stile door in escape and rescue routes



Components – passive leaf

- 1 B-1893/B-1993 motor-driven shoot-bolt lock

Components – active leaf

- 2 The motor-driven shoot-bolt lock can be combined with

Manual-locking locking systems

- Panic locks – series 18

Self-locking locking systems

- Panic locks – series 19
- Multi-point locks – SECURY series 19

Other components

- 3 DTR-2 swing-door drive
- 4 Hardware for emergency exit devices in acc. with EN 179
 - Lever handle
- Hardware for panic exit devices in acc. with EN 1125
 - Push bars or touch bars
- 5 Safety sensors
- 6 Radar motion sensor
- 7 Elbow push-button
- 8 Manual programme switch
- 9 8642 carrier bar MNK



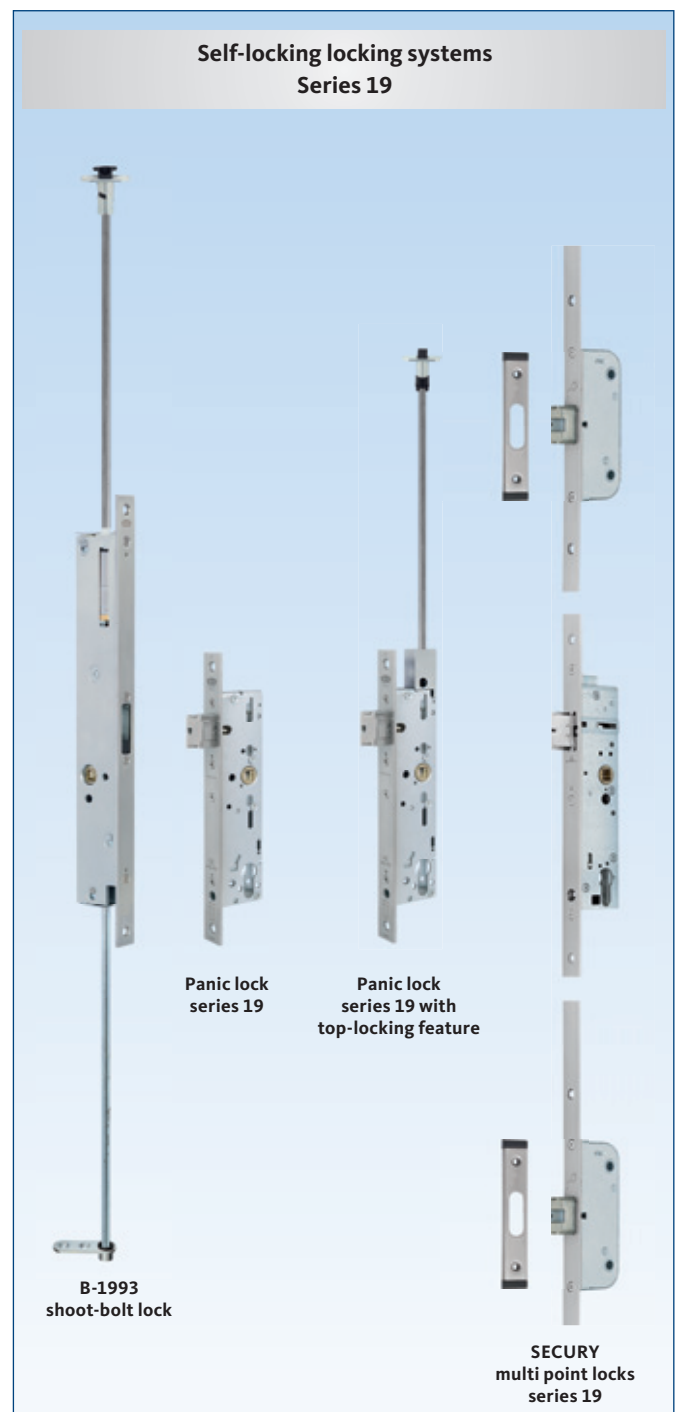
Motor-driven shoot-bolt lock

The B-1893/B-1993 motor-driven shoot-bolt lock is approved to EN 179/EN 1125 and EN 14846. It can be used for fire protection doors and is suitable for barrier-free construction in compliance with DIN 18040.

The motor-driven shoot-bolt lock offers enhanced security owing to the locking elements at the top and bottom of the passive leaf.

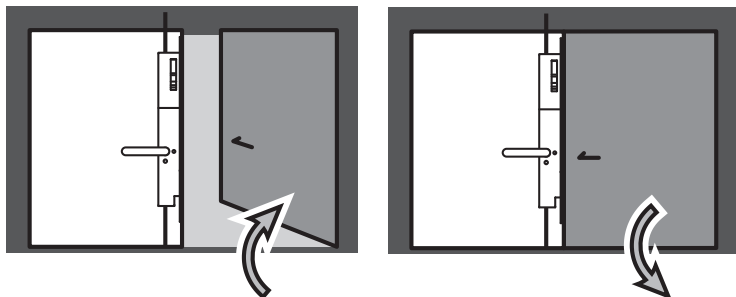
No motor-driven lock or electric strike is required to open the active leaf; only a standard panic lock is needed.

The motor-driven shoot-bolt lock can be combined with the BKS lock series 18, 19 and SECURITY 19.



Functional description

Double-leaf escape doors fitted with swing-door drives and a motor-driven shoot-bolt lock

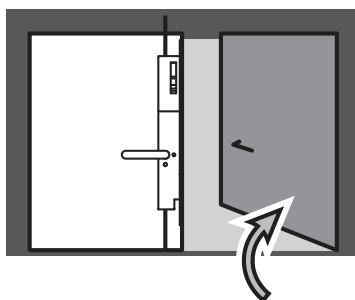


Active leaf – Open

The active leaf unlocks and opens automatically. The passive leaf remains locked.



Automatic –
1-leaf

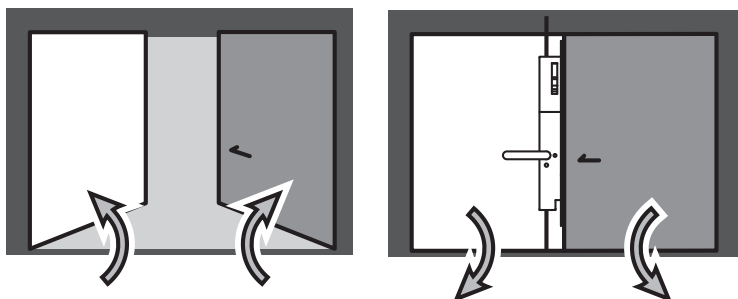


Active leaf – Permanently open

The active leaf is permanently open.
The passive leaf remains locked.



Permanently open –
1-leaf

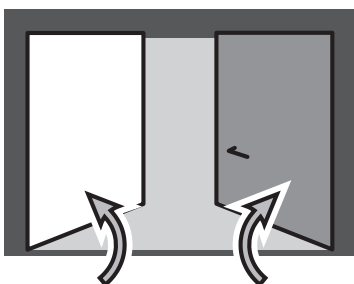


Active leaf and passive leaf – Open

The active and passive leaves are unlocked. Both leaves open automatically. Once the set hold-open time has elapsed, the passive leaf closes first, followed by the active leaf, providing nobody is within range of the sensors. Both leaves are automatically locked once again.



Automatic – 2-leaf



Active leaf and passive leaf – Permanently open

The active and passive leaves are unlocked when the permanently-open function is activated. Both leaves open automatically and remain in this position.



Permanently open – 2-leaf

Functional description

Double-acting panic function



1. Double-acting panic function

The active leaf can be opened at any time without the key, even if the door is locked, by operating the hardware on the inside. When the hardware on the inside of the passive leaf is operated, the vertical rods retract into the door leaf and the latch and deadbolt of the active leaf lock are pushed back **at the same time.**

Both door leaves can therefore be opened abruptly and simultaneously. The panic function can be triggered at both door leaves – hence the description **double-acting.**



2. Single-acting panic function

The single-acting panic function is a restricted panic function which can only be used **with the consent of the building authorities**. By operating the hardware on the inside of the passive leaf, the vertical rods retract into the door leaf and, **at the same time**, the latch and deadbolt of the active leaf lock are pushed back. Both door leaves can therefore be opened abruptly and simultaneously.

When the hardware on the inside of the active leaf is operated, there is **no panic function**. **Important:** when ordering the lock for the active leaf, please indicate that the "single-acting panic function" is required.

The panic function can only be triggered at the passive leaf – hence the description "**single-acting**".

Functional description

Panic function for outward-opening doors



Escape direction
Panic function for outward-opening doors
(as a rule)

General

In Germany, the law stipulates that doors in escape routes and emergency exits open **in the escape direction**. The panic locks and door hardware combinations presented in this catalogue are therefore intended for outward-opening doors.

However, in certain cases and under certain conditions, inward-opening escape doors are acceptable. In this case you must **always** consult the building authorities beforehand.



Escape direction

Panic function for inward-opening doors
(special case requiring the approval of the building authorities)

Notes

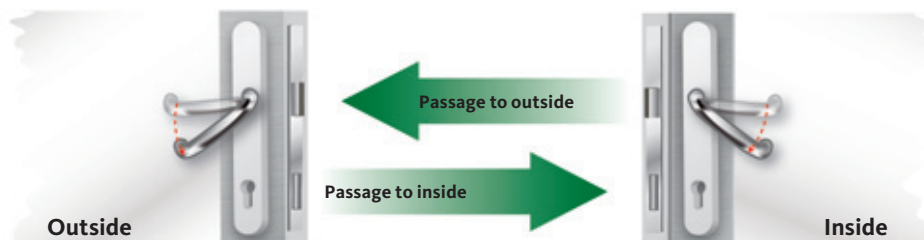
When ordering series 18 panic locks with split followers and escape door functions B, C and D the order must include the note "Inwards escape door function". The panic locks will then be prepared accordingly.

When ordering the series 19 panic locks, the order note is omitted as the panic function can be reversed using an Allen key.

Panic locks with one-piece followers and panic function E can be used for both inward and outward-opening doors without changing the lock. Only the hardware must be mounted accordingly. Panic function E for inward-opening doors requires the lever handle and vertical lever to be mounted on the hinge-side. On the other hand, the long backplate with lever handle or another operational element is mounted on the side opposite the hinges.

Functional description

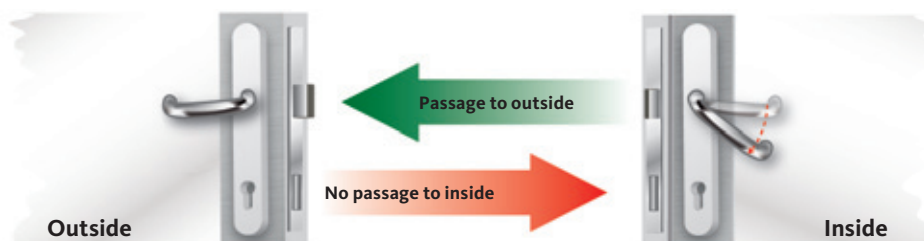
Panic function B



Opening position

Operation from inside and outside

Passage possible in both directions via the lever handle; the latch is retracted and the follower is coupled on both sides.



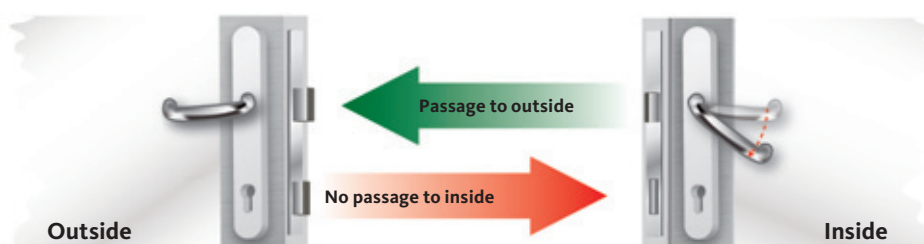
Initial position

Operation from outside

Idling lever handle due to decoupled follower. The door can only be opened with the key. When the key is turned, the follower is coupled and the door can be opened with the lever handle. The follower coupling must subsequently be set to idle again by turning the key.

Operation from inside

Exit, the door can basically be opened in the escape direction at any time.



Locking

In locks of the series 19 (self-locking series), the automatic latch locks automatically.

Operation from outside

Idling lever handle due to decoupled follower. The door can only be opened with the key. When the key is turned, the follower is coupled and the door can be opened with the lever handle. The follower coupling must subsequently be set to idle again by turning the key.

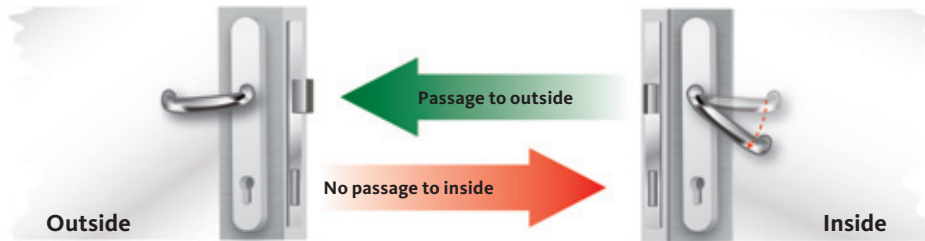
Operation from inside

Exit, the door can basically be opened in the escape direction at any time.

Possible applications

As the lever handle is on the outside, the door is suitable for use as a connecting door.

- Hallway doors in office buildings
- Homes for the elderly
- Secondary entrance doors
- Secondary entrance doors in kindergartens, schools and hotels



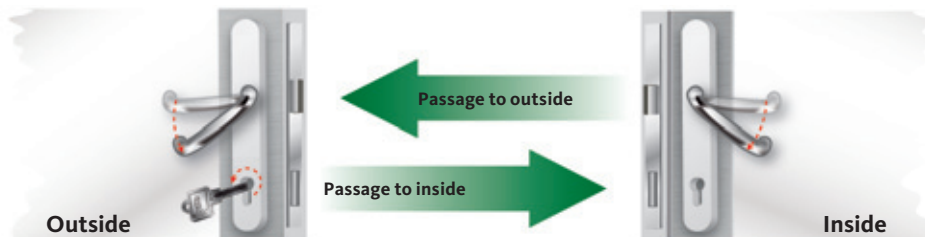
Initial position

Operation from outside

Idling lever handle due to decoupled follower. The door can only be opened with the key.

Operation from inside

Exit, the door can basically be opened in the escape direction at any time.



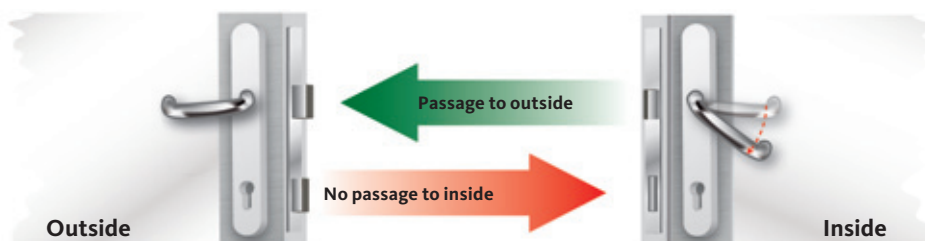
Opening position

Operation from outside

Idling lever handle due to decoupled follower. The door can only be opened with the key. By turning the key as far as possible in the opening direction, the follower is coupled and the door can be opened with the lever handle. When the key is removed, the exterior lever handle reverts automatically to idle.

Operation from inside

Exit, the door can basically be opened in the escape direction at any time.



Locking

In locks of the series 19 (self-locking series), the automatic latch locks automatically.

Operation from outside

Idling lever handle due to decoupled follower. The door can only be opened with the key. By turning the key as far as possible in the opening direction, the follower is coupled and the door can be opened with the lever handle. When the key is removed, the exterior lever handle reverts automatically to idle.

Operation from inside

Exit, the door can basically be opened in the escape direction at any time.

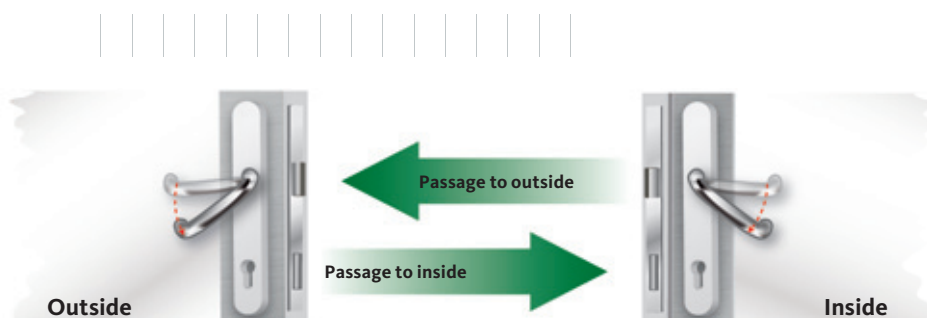
Possible applications

As the lever handle is on the outside, the door is suitable for use as a connecting door.

- Hallway doors in office buildings
- Homes for the elderly
- Secondary entrance doors
- Secondary entrance doors in kindergartens, schools and hotels

Functional description

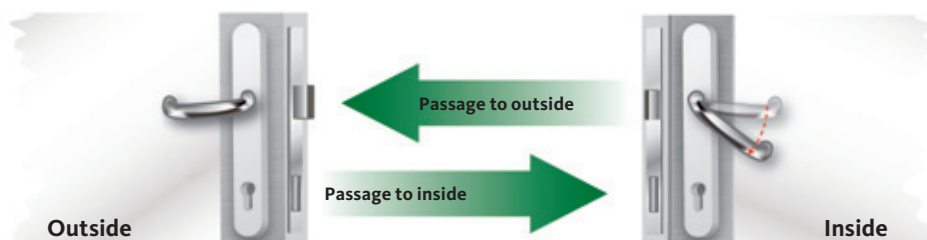
Panic function D



Opening position

Operation from inside and outside

Passage possible in both directions via the lever handle; the latch is retracted and the follower is coupled on both sides.



Locking

Operation from outside

Following actuation of the panic-function from the inside, the exterior lever handle is coupled again. Passage from outside to inside. When locking via the locking cylinder, the exterior lever handle is decoupled.

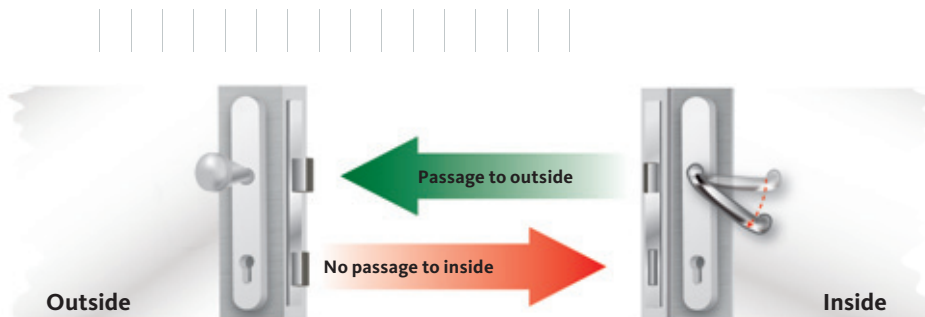
Operation from inside

Exit, the door can basically be opened in the escape direction at any time. After the lever handle has been operated, the deadbolt remains retracted until the next time it is locked using the key.

Possible applications

As the lever handle is on the outside, the door is suitable for use as a connecting door.

- Hallway doors in office buildings
- Homes for the elderly
- Secondary entrance doors
- Secondary entrance doors in kindergartens, schools and hotels



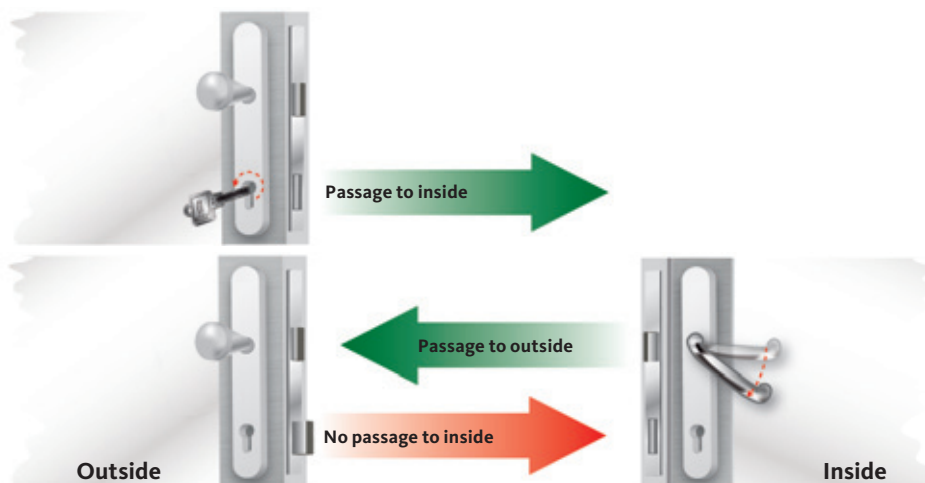
Initial position

Operation from outside

Only a fixed knob or a push/pull handle are permitted as hardware. Door opening only by key: the latch is retracted.

Operation from inside

Exit, the door can basically be opened in the escape direction at any time.



Locking

Operation from outside

Door opening only by key: the latch is retracted. The latchbolt in locks of series 19 (self-locking series) locks automatically.

Operation from inside

Exit, the door can basically be opened in the escape direction at any time.

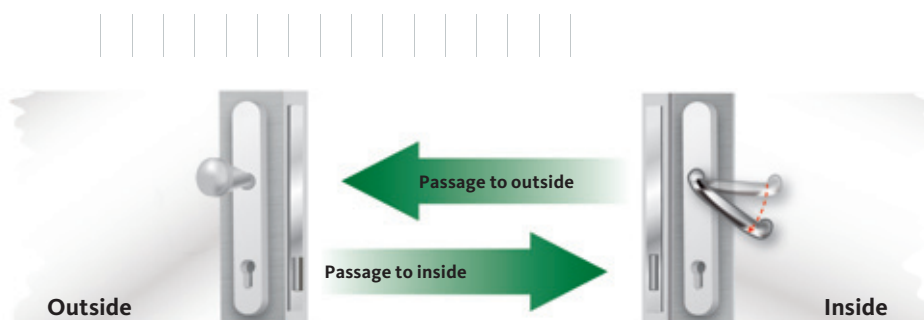
Possible applications

As the fixed knob or push/pull handle is on the outside, access from the outside is only possible using the key.

- Doors on transformer stations and boiler rooms
- Elevator systems
- Underground car parks
- Entrance to warehouses and offices
- Entrance to apartment buildings and multiple-family dwellings

Functional description

Panic function P



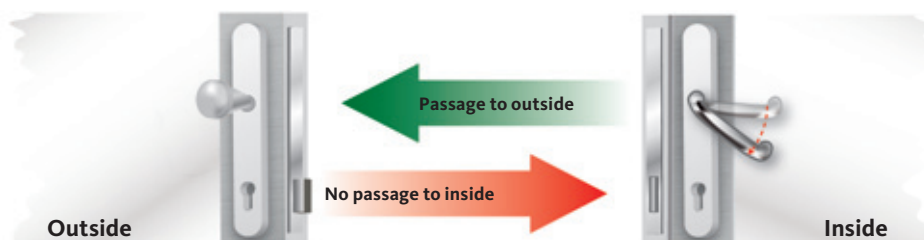
Opening position

Operation from outside

Only a fixed knob or a push/pull handle are permitted as hardware. The door can be opened by pulling/pushing the knob/lever handle. Entry, no latch (double-action swing door).

Operation from inside

Exit, the door can basically be opened in the escape direction at any time.



Locking

Operation from outside

The door is opened by key only which retracts the deadbolt. The door is at the initial position following actuation of the panic function from the inside.

Operation from inside

Exit, the door can basically be opened in the escape direction at any time. After the lever handle has been operated, the deadbolt remains retracted until the next time it is locked using the key.

Possible applications

As the fixed knob or push/pull handle is on the outside, access from the outside is only possible using the key.

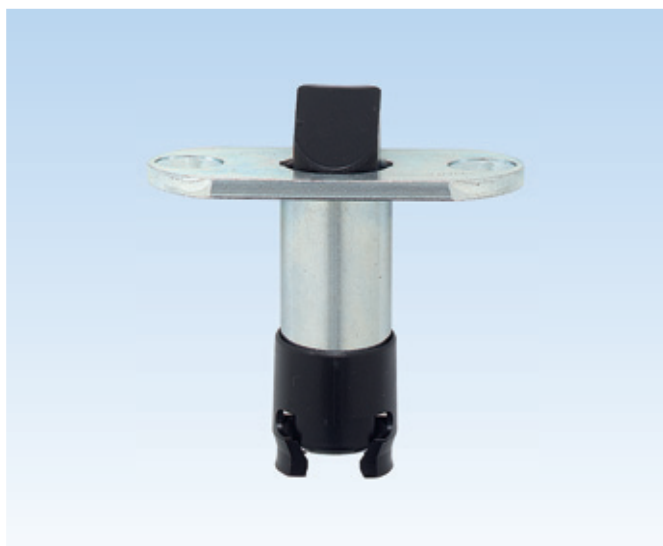
- Doors on transformer stations and boiler rooms
- Elevator systems
- Underground car parks



In many cases, the use of a top-locking feature on the active leaf renders the installation of a triple latch lock unnecessary. This can also be used on doors without a separate locking device on the passive leaf.

Top-locking with passive-leaf control lock 1895

The passive leaf is locked from above via the vertical rods projecting upwards into the door frame. The projection of this lock is 17 mm.



Top-locking with spring-operated top latch 1795

The projection of this lock is 12 mm. The spring-operated top latch 1795 can be used on the active leaf in conjunction with electric strikes and therefore is also suitable for automatic door systems. The spring-operated top latch 1796 is used on the passive leaf of double-leaf door systems.

Functional description

Adjustable roller latch/End caps for U-faceplates



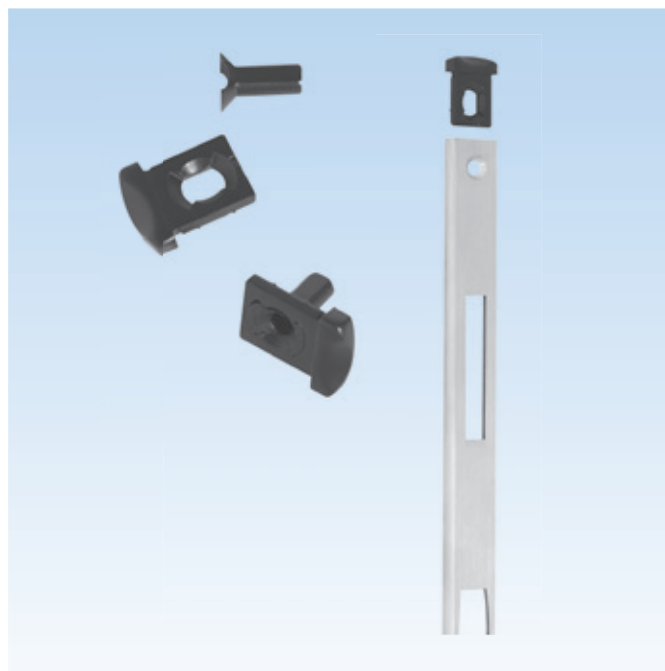
Adjustable roller latch

Lock: 1426

Locks with roller latches are also suitable for double-action swing doors. The ideal position of the roller latch to catch the door is adjusted by a screw accessible from the front of the roller latch.

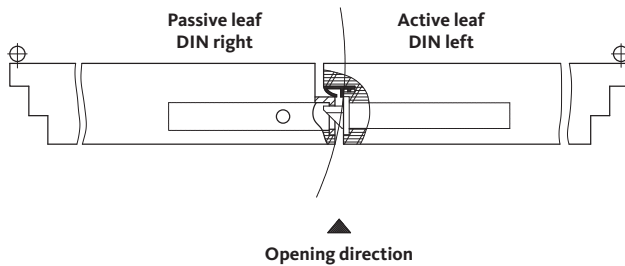
Locks : 1300RF, 1305, 1315, 1325

Locks with roller latches are also suitable for double-action swing doors. The ideal position of the roller latch to catch the doors is adjusted by a screw accessible from the front of latch body.



End caps for U-faceplate

Locks with U-faceplate come with the appropriate BKS end caps. The end caps are equipped with expanding mandrels that can be used for fastening in the profile. To achieve a more stable fastening, these can be removed and rivet-down nuts used instead.

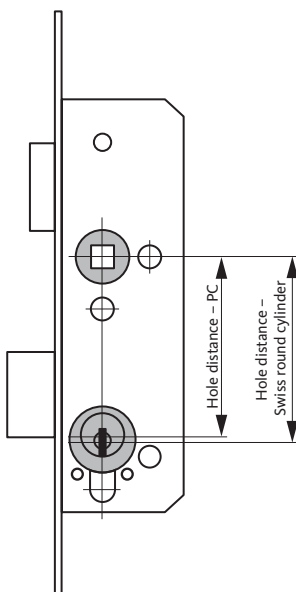


Protection from jamming

When designing a door element, it is important to ensure that when both door leaves are opened simultaneously their movement will not be restricted. as this may destroy both the hardware and the door element. When checking this, it is important to consider the criteria door leaf width, door thickness, overlaps, clearance, pivot point of the door leaves and the projection of the hardware.

It must for example be proven by test institutes that the movement of a double-leaf escape door is not restricted when opened by the hardware of the passive leaf (vertical lever or push bar).

Use of a **carrier bar** is obligatory on double-leaf doors. The carrier bar ensures that the active leaf is taken along at least as far as the action range of the door-leaf coordinator if in a panic situation the door is opened by the passive leaf. The correct closing sequence is always guaranteed.



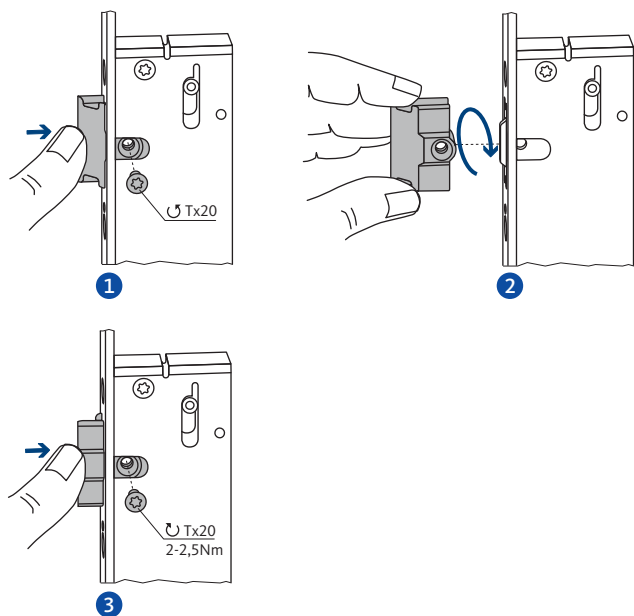
Swiss round cylinder

Note that the hole centre-to-centre distance (follower – cylinder) in locks designed for Swiss round cylinders is 2 mm larger than that of locking cylinders.

Example: PC 92 mm = Swiss RC 94 mm

Functional description

Reversible latch series 18/reversible latchbolt series 19



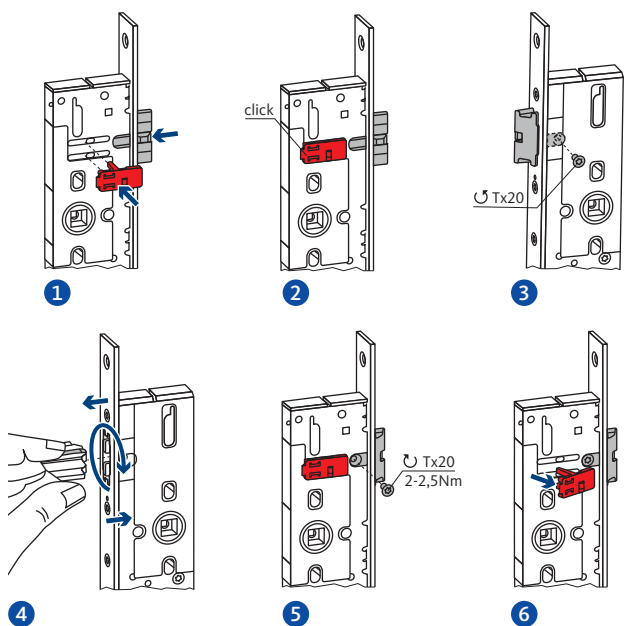
Reversible latch – series 18

The following steps must be observed to reverse the latch:

- 1 Push the latch back slightly and unscrew the countersunk screw which can be accessed via the hole in the lock case cover
- 2 Pull the latch out of the faceplate, rotate it axially by 180° and reinsert it
- 3 Pressing gently on the latch, screw the countersunk screw back in and tighten it firmly with a torque of 2 to 2.5 Nm

Note:

In versions with a reversible latch the locks will be delivered for DIN left doors as standard. Essential tool: socket wrench insert Tx20 (not included in the scope of delivery)



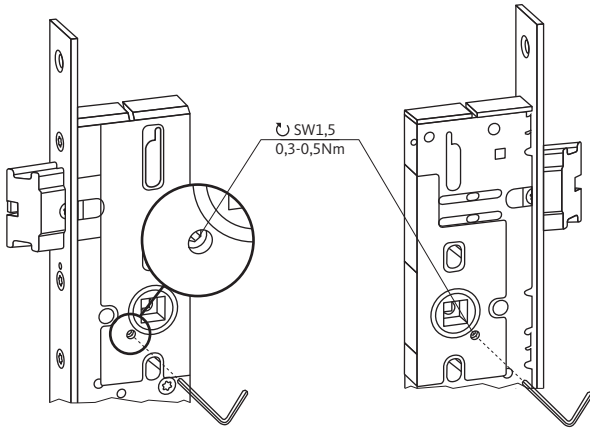
Reversible latchbolt, series 19

The following steps must be observed to reverse the latch:

- 1 Pull in latchbolt until the trigger lever snaps in behind the faceplate (latch position), insert latchbolt holder in the guides of the latchbolt and clamp
- 2 Latchbolt holder must audibly engage in the guides
- 3 Unscrew the countersunk screw which can be accessed via the hole in the lock case cover
- 4 Press and hold down the the trigger lever, pull out the latch from the faceplate, rotate it axially by 180° and reinsert it until the trigger lever snaps in behind the faceplate
- 5 Pressing gently on the latch, screw the countersunk screw back in and tighten it firmly with a torque of 2 to 2.5 Nm
- 6 Take out latchbolt holder and make sure the latchbolt is working correctly by operating the handle/latch lever and by actuating the trigger lever

Functional description

Reversible panic function series 18/series 19
Latch holdback series 18/series 19



Reversible panic function series 18/series 19

Locks with the panic functions B, C and D feature a reversible panic function. This makes it possible to change the escape direction of the lock, which might be necessary after reversing the latchbolt.

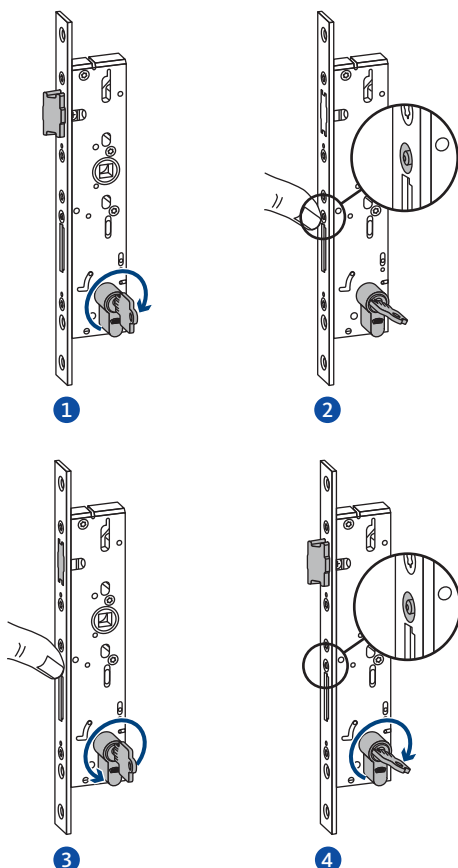
To reverse the panic function, first actuate the trigger lever to throw the latchbolt in its locked position. Then turn the threaded pin at the position marked using a 1.5 mm Allen key as far as it will go. Finally, check that the panic function of the lock works properly.

To reverse the panic function once again, follow the same procedure from the other lock side.



WARNING

When changing the escape direction from the side opposite the hinges (outward-opening) to the door hinge side (inward-opening) the approval according to EN 1125 ceases to be valid!



Latch holdback series 18/series 19

Key-controlled latch holdback

Note: not approved for fire and smoke protection doors

Function for locks with latch lever:

Activating the latch holdback:

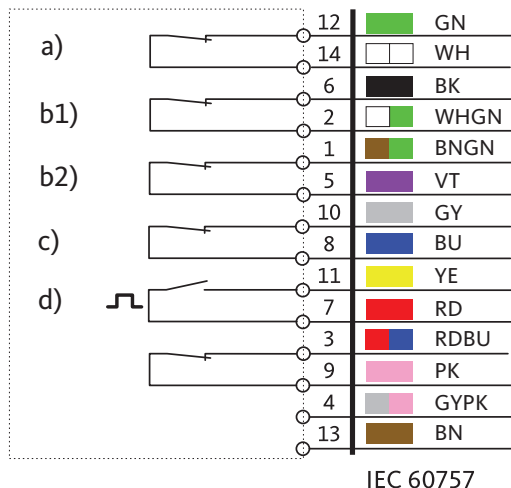
- 1 Retract the latch and hold it in retracted position using the key
- 2 Press the button on the faceplate down as far as it will go
- 3 Keep the button pressed while turning the key back again

Deactivating the latch holdback:

- 4 Turn the key once more; the actuation button must pop back out

Wiring diagrams

Lock monitoring – series 18



Monitoring functions – series 18

For single-leaf doors:

B-1820x; B-1822x; B-1824x; B-1826x;
B-1828x; B-1830x; B-1832x; B-1834x;
B-1836x; B-1838x

For double-leaf doors:

B-1821x; B-1823x; B-1825x; B-1827x;
B-1831x; B-1833x; B-1835x; B-1837x;
B-1839x

Connected values

Switching capacity (max.) 1 W
Switching current DC (max.) 100 mA
12 V DC/80 mA
24 V DC/40 mA

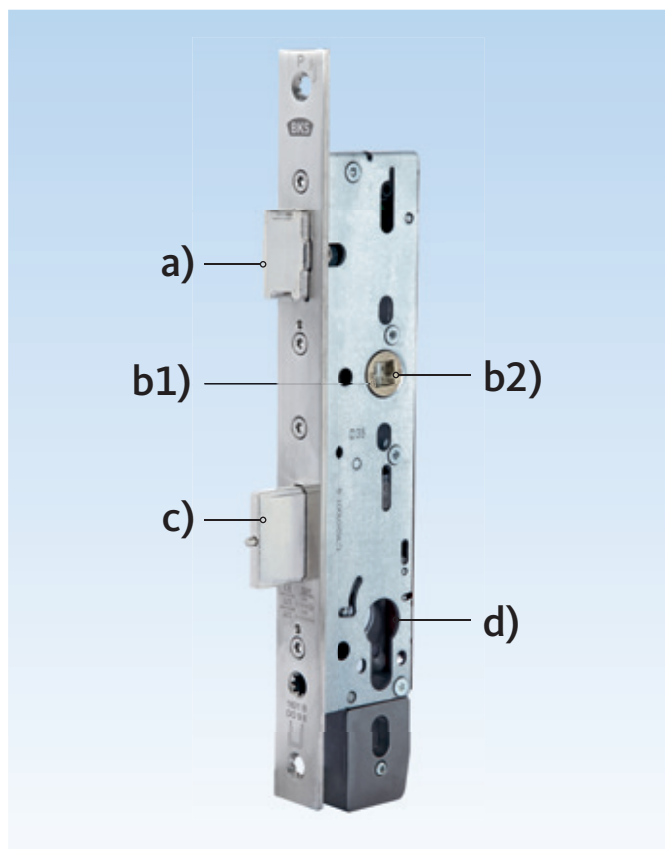
Note!

If a monitoring function is supplied in combination with a top-locking feature, the standard length of the faceplate increases upwards by 50 mm to 320 mm.

Accessories

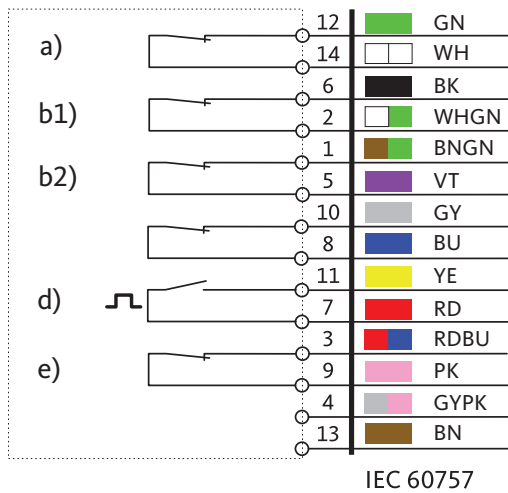
Included in the scope of delivery:

10 mm connecting cable B 5490 0300



Statuses of the lock contacts shown in initial position:

- a) Latch extended
- b) Lever handle not activated
(b1: on underside of lock case;
b2: on upper side of lock case)
- c) Deadbolt extended
- d) Cylinder in key removal position



Monitoring functions – series 19

For single-leaf doors:

B-1900x; B-1902x; B-1906x; B-1910x;
B-1912x; B-1916x

For double-leaf doors:

B-1901x; B-1903x; B-1907x; B-1911x;
B-1913x; B-1917x

Connected values

Switching capacity (max.) 1 W

Switching current DC (max.) 100 mA

12 V DC/80 mA

24 V DC/40 mA

Note!

If a monitoring function is supplied in combination with a top-locking feature, the standard length of the faceplate increases upwards by 50 mm to 320 mm.

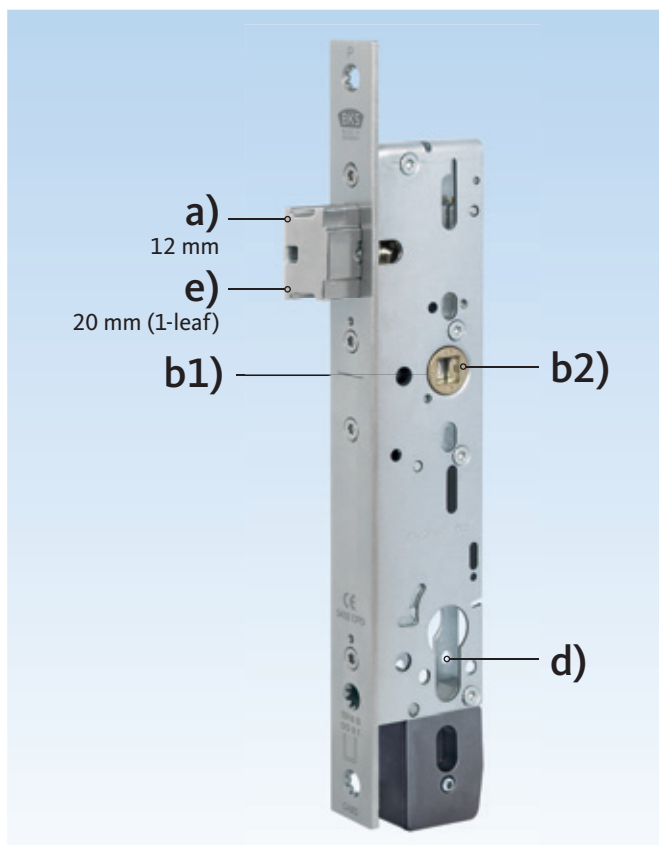
Accessories

Included in the scope of delivery:

10 mm connecting cable B 5490 0300

Optional:

B 5371 0020 lock tester



Statuses of the lock contacts shown in initial position:

a) Latchbolt position 12 mm

b) Lever handle not activated

(b1: on underside of lock case;

b2: on upper side of lock case)

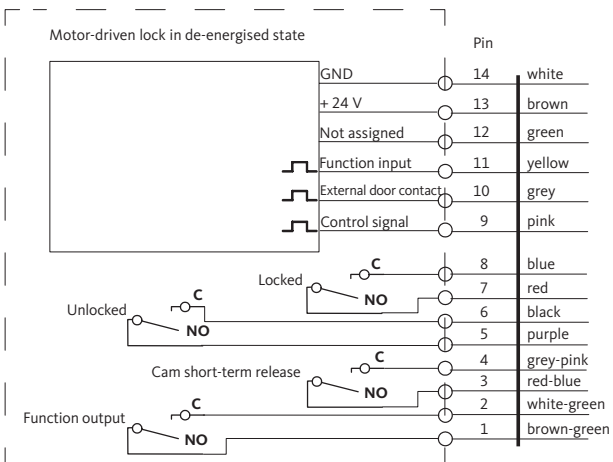
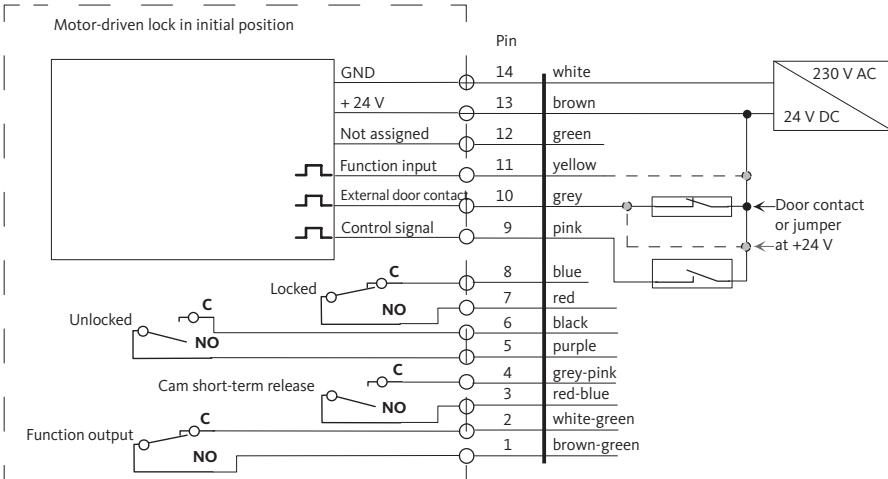
c) Cylinder in key removal position

d) Latchbolt blocking device 20 mm

(only with 1-leaf doors)

Wiring diagrams

Lock monitoring – B 1956/B 1959 motor-driven locks



B 1956/B 1959 motor-driven lock

The following elements of the motor-driven locks B 1956/B 1959 can be monitored electrically:

- Latchbolt
- Lever handle
- Cylinder cam

Individual lock elements or combinations of these can be electrically monitored. As a rule, only minor changes to the standard lock recess are required.

Inputs

- Control input (100% duty ratio)
- Function input
- External door contact

Outputs

- Latchbolt and door contact monitoring (locked)
- Latchbolt monitoring (unlocked)
- Short-term cam release
- Function output

Accessories

Not included in the scope of delivery:

Connecting cable B 5490 0300, length 10 m (type LiYY 14 x 0.14 mm²)

Optional:

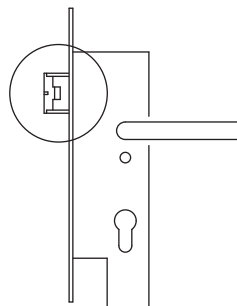
B 5371 0020 lock tester

B 5490 0301 emergency power backup system

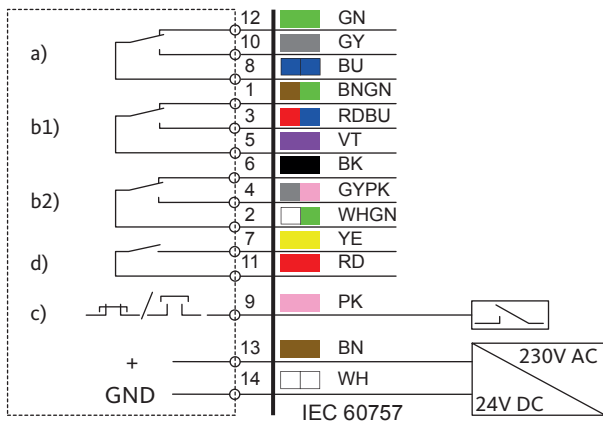


Wiring diagram

Latchbolt projected



Technical data	
Nominal voltage	24 V DC/± 15%
Current consumption	max. 900 mA
Standby	max. 20 mA
Contact load	24 V DC/1 A (125 V AC/0.3 A)



Electrically coupled lock

The exterior lever handle is electrically activated, i.e. access can be controlled electrically. Activation is possible by means of door opener button, intercom or similar, time switches, or access control system. The statuses of the individual lock components are also queried electrically via integrated switches. The door can be opened from outside by operating the mechanical profile cylinder, by the fire brigade for example.

Functional description

Two electrically independent micro-switches monitor and signal the most important unlocked/locked statuses.

Monitored components: a) latchbolt, d) cylinder cam, b1/b2) internal and exterior lever handle. The terminal assignment is shown in the above diagram.

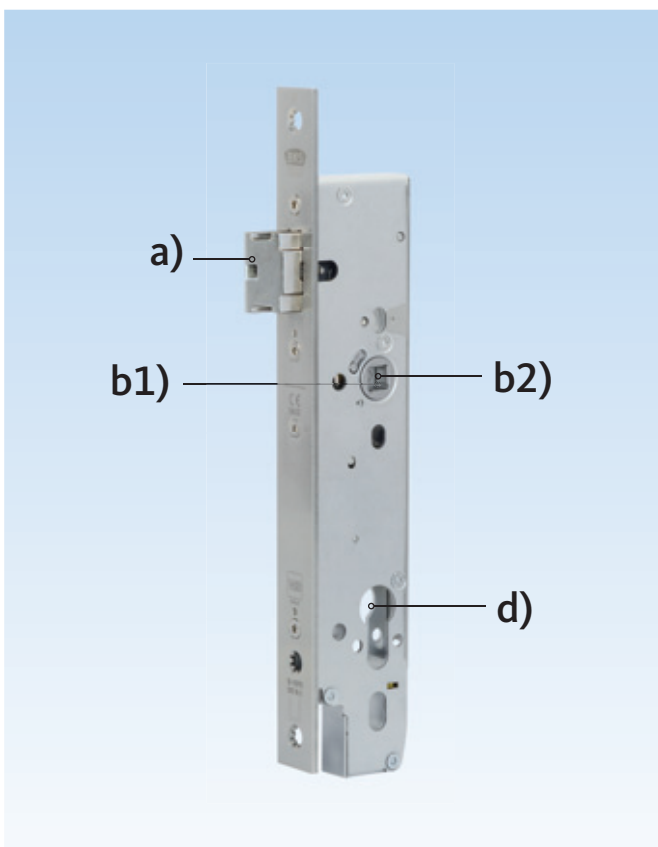
Accessories

Included in the scope of delivery:

Connecting cable B 5490 0300, length 10 m (type LiYY 14 x 0.14 mm²)

Optional:

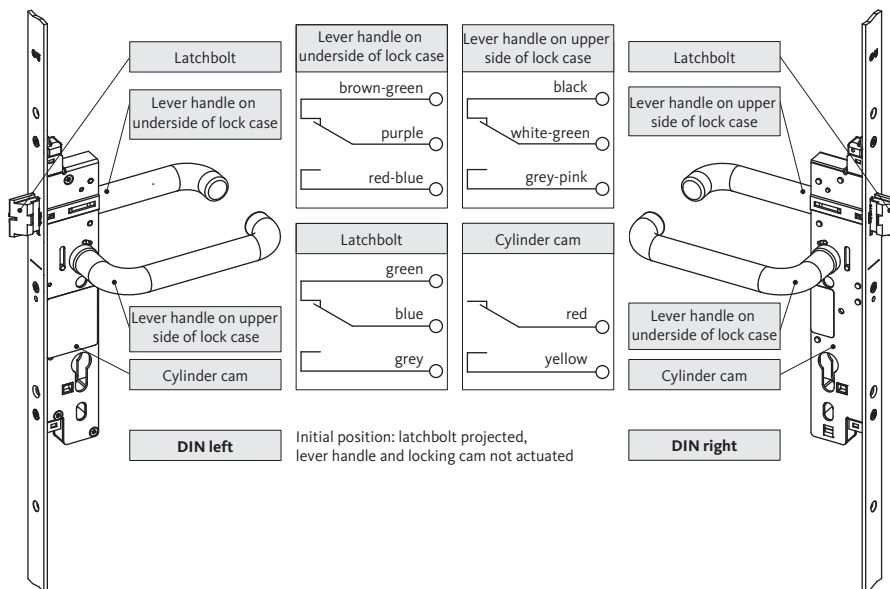
B 5371 0020 lock tester



Technical data	
Nominal voltage	12–24 V DC
Current consumption	max. 250 mA
Duty ratio	100%

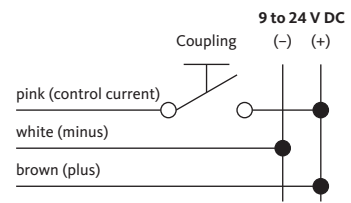
Wiring diagrams

SECURY 19 EK 1970/1971 – electrically-coupled multi-point locks or with monitoring contacts



Terminal assignment		
Brown-green	Lever handle on underside of lock case	NC
Red-blue		NO
Violet		C
Yellow	Cylinder cam	NO
Red		C
Black	Lever handle on upper side of lock case	NC
Grey-pink		NO
White-green		C
Green	Latchbolt **	NC
Grey		NO
Blue		C
Brown	Coupling *	Plus
White		Minus
Pink	Control line *	-

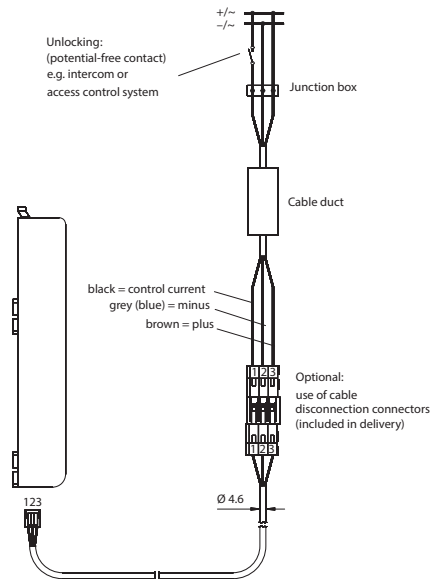
* Not for SECURY 1916 S/1919 S/1916 S EVP
 ** Not for SECURY 1919 S/1971



The lever handle(s) of the electrically coupled multi-point lock(s) is/are coupled/decoupled via a control signal.

Technical data	
Nominal voltage	12–24 V DC
Current consumption	max. 250 mA
Duty ratio	100%
Contact load	30 V DC/2 A or 125 V AC/1 A

Accessories
Included in the scope of delivery:
 Connecting cable B 5490 0300,
 length 10 m (type LiYY 14 x 0.14 mm²)



K-18153-01-0-0 A-opener

Other loads (such as an electric strike or a lamp) must not be connected in parallel with the A-opener. If an additional load is required, a relay must be connected in-between.

Important: a switch for "permanent running" may be installed in parallel with the "Open" push-button (daytime latch release function). The switching time is unlimited.

Accessories

The connecting cable is included in the delivery (approx. 6 m long, with plug and wire end ferrules)

from junction box:
3-core cable
max. outer diameter: 6 mm
wire cross-section

up to 10 m	length: 0.50 mm ²
up to 40 m	length: 0.75 mm ²
up to 50 m	length: 1.00 mm ²
up to 75 m	length: 1,50 mm ²
up to 125 m	length: 2.50 mm ²

(not supplied by GU-BKS)

Technical data	
Nominal voltage	12 V AC / 12–24 V DC (stabilised)
Current consumption	max. 1 A
Protection type	IP40
Lifting force	max. 70 N

Lock and door hardware combinations



Overview of series

Single-leaf doors with standard function



Inside



Outside

RNE 100

Narrow stile doors, standard function, single-leaf

70



Inside



Outside

RNEO 400

Narrow stile doors, standard function, single-leaf with top-locking feature

74



Inside



Outside

RNE 120

Narrow stile doors, standard function, single-leaf

78



Inside



Outside

RNEO 420

Narrow stile doors, standard function, single-leaf with top-locking feature

82

Overview of series

Double-leaf doors with standard function



Inside



Outside

RNZA 150

Narrow stile doors, standard function, double-leaf
Automatic locking of passive leaf

86



Inside



Outside

RNZO 150

Narrow stile doors, standard function, double-leaf
Active leaf with top-locking feature

90



Inside



Outside

RNZA 180

Narrow stile doors, standard function, double-leaf
Automatic locking of passive leaf

94

Overview of series

Single-leaf doors with panic function to EN 179



Inside



Outside

RPE 100

Narrow stile doors, panic function, single-leaf
Electrical safeguarding by means of escape door locking,
centralised control and visualisation

98



Inside



Outside

RPEO 400

Narrow stile doors, panic function, single-leaf
Top-locking feature
Electrical safeguarding by means of escape door locking,
centralised control and visualisation

102



Inside



Outside

RPES 100

Narrow stile doors, panic function, single-leaf
SECURY multi-point lock
Electrical safeguarding by means of escape door locking,
centralised control and visualisation

106



Inside



Outside

RPE 120

Narrow stile doors, panic function, single-leaf
Electrical safeguarding by means of escape door locking,
centralised control and visualisation

110

Overview of series

Single-leaf doors with panic function to EN 179



Inside



Outside

RPE 210

Narrow stile doors, panic function, single-leaf
Electrical safeguarding by means of escape door locking,
centralised control and visualisation

114



Inside



Outside

RPEO 420

Narrow stile doors, panic function, single-leaf
Top-locking feature
Electrical safeguarding by means of escape door locking,
centralised control and visualisation

118



Inside



Outside

RPES 120

Narrow stile doors, panic function, single-leaf
SECURY multi-point lock
Electrical safeguarding by means of escape door locking,
centralised control and visualisation

122

Overview of series

Single-leaf doors with panic function to EN 1125



Inside



Outside

RPE 105

Narrow stile doors, panic function, single-leaf
Electrical safeguarding by means of escape door locking,
centralised control and visualisation

126



Inside



Outside

RPEO 405

Narrow stile doors, panic function, single-leaf
Top-locking feature
Electrical safeguarding by means of escape door locking,
centralised control and visualisation

130



Inside



Outside

RPES 105

Narrow stile doors, panic function, single-leaf
SECURY multi-point lock
Electrical safeguarding by means of escape door locking,
centralised control and visualisation

134



Inside



Outside

RPE 125

Narrow stile doors, panic function, single-leaf
Electrical safeguarding by means of escape door locking,
centralised control and visualisation

138

Overview of series

Single-leaf doors with panic function to EN 1125



Inside



Outside

RPEO 425

Narrow stile doors, panic function, single-leaf
Top-locking feature
Electrical safeguarding by means of escape door locking,
centralised control and visualisation

142



Inside



Outside

RPES 125

Narrow stile doors, panic function, single-leaf
SECURY multi-point lock
Electrical safeguarding by means of escape door locking,
centralised control and visualisation

146



Inside



Outside

RPZA 110

Narrow-stile doors, panic function, double-leaf
Automatic locking of passive leaf
Electrical safeguarding by means of escape door locking,
centralised control and visualisation

150



Inside



Outside

RPZA 110-M

Narrow-stile doors, panic function, double-leaf
Automatic locking of passive leaf, motor-driven opening
Electrical safeguarding by means of escape door locking,
centralised control and visualisation

154



Inside



Outside

RPZO 110

Narrow-stile doors, panic function, double-leaf
Active leaf with top-locking feature
Electrical safeguarding by means of escape door locking,
centralised control and visualisation

158



Inside



Outside

RPZAS 110

Narrow-stile doors, panic function, double-leaf
Automatic locking of passive leaf
SECURY multi-point lock
Electrical safeguarding by means of escape door locking,
centralised control and visualisation

162

Overview of series

Double-leaf doors with panic function to EN 179



Inside



Outside

RPZA 170

Narrow-stile doors, panic function, double-leaf
Automatic locking of passive leaf
Electrical safeguarding by means of escape door locking,
centralised control and visualisation

166



Inside



Outside

RPZA 170-M

Narrow-stile doors, panic function, double-leaf
Automatic locking of passive leaf, motor-driven opening
Electrical safeguarding by means of escape door locking,
centralised control and visualisation

170



Inside



Outside

RPZO 170

Narrow-stile doors, panic function, double-leaf
Active leaf with top-locking feature
Electrical safeguarding by means of escape door locking,
centralised control and visualisation

174



Inside



Outside

RPZA 210

Narrow-stile doors, panic function, double-leaf
Automatic locking of passive leaf
Electrical safeguarding by means of escape door locking,
centralised control and visualisation

178



Inside



Outside

RPZAS 170

Narrow-stile doors, panic function, double-leaf

Automatic locking of passive leaf

SECURY multi-point lock

Electrical safeguarding by means of escape door locking,
centralised control and visualisation

182

Overview of series

Double-leaf doors with panic function to EN 1125



Inside



Outside

RPZA 115

Narrow-stile doors, panic function, double-leaf
Automatic locking of passive leaf
Electrical safeguarding by means of escape door locking,
centralised control and visualisation

186



Inside



Outside

RPZA 115-M

Narrow-stile doors, panic function, double-leaf
Automatic locking of passive leaf, motor-driven opening
Electrical safeguarding by means of escape door locking,
centralised control and visualisation

190



Inside



Outside

RPZO 115

Narrow-stile doors, panic function, double-leaf
Active leaf with top-locking feature
Electrical safeguarding by means of escape door locking,
centralised control and visualisation

194



Inside



Outside

RPZAS 115

Narrow-stile doors, panic function, double-leaf
Automatic locking of passive leaf
SECURY multi-point lock
Electrical safeguarding by means of escape door locking,
centralised control and visualisation

198

Overview of series

Double-leaf doors with panic function to EN 1125



Inside



Outside

RPZA 175

Narrow-stile doors, panic function, double-leaf
Automatic locking of passive leaf
Electrical safeguarding by means of escape door locking,
centralised control and visualisation

202



Inside



Outside

RPZA 175-M

Narrow-stile doors, panic function, double-leaf
Automatic locking of passive leaf, motor-driven opening
Electrical safeguarding by means of escape door locking,
centralised control and visualisation

206



Inside



Outside

RPZO 175

Narrow-stile doors, panic function, double-leaf
Active leaf with top-locking feature
Electrical safeguarding by means of escape door locking,
centralised control and visualisation

210



Inside



Outside

RPZAS 175

Narrow-stile doors, panic function, double-leaf
Automatic locking of passive leaf
SECURY multi-point lock
Electrical safeguarding by means of escape door locking,
centralised control and visualisation

214

Overview of series

Special applications



Special applications

Higher-mounted panic hardware on the passive leaf

Higher-mounted panic hardware on the active leaf

Escape door locking

Kindergarten function

Automatic door function

Escape door locking – for double-leaf doors

Kindergarten function – for double-leaf doors

Automatic door function – for double-leaf doors

218

Combination RNE 100

Narrow stile doors, standard function, single-leaf



Inside



Outside

Functional description

Inside

The door leaf is opened by key and lever handle; and locked with the key.

Outside

The door leaf is opened by key and lever handle; and locked with the key.

Possible applications

- Suitable for fire and smoke protection doors
- As the lever handle is on the outside, the door can be used as a connecting door from both sides
- Optional combination with electric access control and/or escape door security components (see the following pages)

Recommendation

- Storage rooms
- Basement rooms
- Secondary entrance doors
- Cleaning equipment rooms

Combination RNE 100

Narrow stile doors, standard function, single-leaf



Active leaf:

- ① = Fire protection door lock
- ② = Striker



Active leaf						
No.	Product	Backset	Faceplate 24 x 3 x 270 mm Non-handed		Additional PC/Swiss RC versions see page	
1	1828	35	B-18280-01-U-8		272	
		40	B-18280-02-U-8		272	
		45	B-18280-03-U-8		272	
	1311	Product	Backset	Faceplate 24 x 3 x 245 mm		Additional PC/Swiss RC versions see page
				DIN LH	DIN RH	
				35	B 1311 0053	
		40	B 1311 0055	B 1311 0056	252	
		45	B 1311 0057	B 1311 0058	252	

Frame				
Striker				
No.	Product			See page
2	Flat striker	Non-handed	B-90000-04-0-8	420
		DIN LH	B-90000-58-L-8	421
	Lipped striker	DIN RH	B-90000-58-R-8	

Combination RNE 100

Narrow stile doors, standard function, single-leaf



Inside



Outside

Active leaf: lever handle set with rosettes

Order number*

B-72030-□□-0-□

□	Cylinder hole – backplate design	□	Lever handle model	□	Material/Finish
0	PC – oval	1	RONDO H1.1	1	Silver/EV1 look
1	PC – square	2	RONDO H1.2	3	PVD brass
2	CHRC – oval	7	BELCANTO-Panik H3.1	7	White (RAL 9016)
3	CHRC – square	8	BELCANTO-Panik H3.2	8	Matt stainless steel
4	Without PC-hole – oval	A	OFFICE H4.2		
5	Without PC-hole – square	C	LEGATO H5.2		
6	Without rosette escutcheon – oval	E	TREMOLO H6.2		
7	Without rosette escutcheon – square	G	DIRIGENT H7.2		

Active leaf: lever handle set with long backplates

Order number*

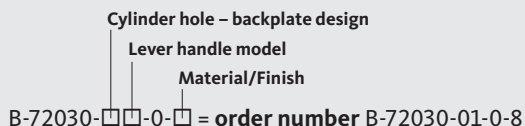
B-72040-□□-0-□

□	Cylinder hole – backplate design	□	Lever handle model	□	Material/Finish
4	Without PC-hole – round	1	RONDO H1.1	1	Silver/EV1 look
5	Without PC-hole – square	2	RONDO H1.2	3	PVD brass
6	PC 92 mm – round	7	BELCANTO-Panik H3.1	7	White (RAL 9016)
7	PC 92 mm – square	8	BELCANTO-Panik H3.2	8	Matt stainless steel
8	Swiss RC 94 mm – round	A	OFFICE H4.2		
9	Swiss RC 94 mm – square	C	LEGATO H5.2		
		E	TREMOLO H6.2		
		G	DIRIGENT H7.2		

Accessories: spindles and screws see from page 482 – **more information** about the lever sets from page 12

*Ordering example

Active leaf: lever set with rosettes = B-72030-□□-0-□
 Cylinder hole – backplate design = oval – PC = 0 [refer to table]
 Lever handle model = RONDO H1.1 = 1 [refer to table]
 Material/Finish = matt stainless steel = 8 [refer to table]



Combination RNE 100

Narrow stile doors, standard function, single-leaf



Monitoring contacts

Product	Cylinder cam monitoring	Latch monitoring	Deadbolt monitoring	Follower monitoring	Electrically coupled exterior lever handle	Combinable with electric strike
1828	■	■	■	■	-	■
1311	-	-	■	-	-	■

Door monitoring

No.	Product	Description	See page
1	B 5490 xxxx	Connecting cable for lock monitoring device	453
2	6-xxxxx-xx-x-x	Cable link	450
3	B 5469 0010	Door contact	499

Door closers

For detailed order information please refer to our order catalogue for door closers.

Combination RNEO 400

Narrow stile doors, standard function, single-leaf, top-locking



Inside



Outside



Functional description

Inside

The door leaf is opened by key and lever handle; the spring-operated top latch is retracted by the rod; the door is locked with the key.

Outside

The door leaf is opened by key and lever handle; and locked with the key.

Possible applications

- Suitable for fire and smoke protection doors
- As the lever handle is on the outside, the door can be used as a connecting door from both sides
- Suitable for very high entrance doors with a tendency to warp (only by agreement with the door fabricator and in compliance with approvals)
- Enhanced burglar protection and gasket pressure thanks to the additional top-locking feature
- Optional combination with electric access control and/or escape door security components (see the following pages)

Recommendation

- Storage rooms
- Basement rooms
- Secondary entrance doors
- Cleaning equipment rooms

Combination RNEO 400

Narrow stile doors, standard function, single-leaf, top-locking



Active leaf:

- 1 = Fire protection door lock with top-locking feature
- 2 = Spring-operated top latch
- 3 = Vertical rod
- 4 = Striker



Active leaf						
No.	Product	Backset	Faceplate 24 x 3 x 270 mm Non-handed			Additional PC/Swiss RC versions see page
1	1839	35	B-18390-01-U-8			276
		40	B-18390-02-U-8			276
		45	B-18390-03-U-8			276
2	1795	35, 40, 45	B 1795 0001			411
3	9006	35, 40, 45	Rod length	1385 mm	B 9006 0022	436
				1500 mm	B 9006 0013	436

Frame					
Striker					
No.	Product			See page	
4	Flat striker		Non-handed	B-90000-04-0-8	420
	Lipped striker	DIN LH		B-90000-58-L-8	421
		DIN RH		B-90000-58-R-8	
	Lipped striker for lock 1795		Non-handed	B 9000 0567	426

Combination RNEO 400

Narrow stile doors, standard function, single-leaf, top-locking



Inside



Outside

Active leaf: lever handle set with rosettes

Order number*

B-72030-□□-0-□

□	Cylinder hole – backplate design	□	Lever handle model	□	Material/Finish
0	PC – oval	1	RONDO H1.1	1	Silver/EV1 look
1	PC – square	2	RONDO H1.2	3	PVD brass
2	CHRC – oval	7	BELCANTO-Panik H3.1	7	White (RAL 9016)
3	CHRC – square	8	BELCANTO-Panik H3.2	8	Matt stainless steel
4	Without PC-hole – oval	A	OFFICE H4.2		
5	Without PC-hole – square	C	LEGATO H5.2		
6	Without rosette escutcheon – oval	E	TREMOLO H6.2		
7	Without rosette escutcheon – square	G	DIRIGENT H7.2		

Active leaf: lever handle set with long backplates

Order number*

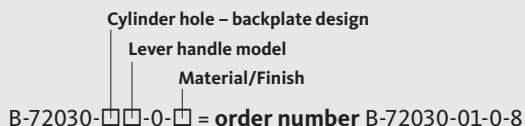
B-72040-□□-0-□

□	Cylinder hole – backplate design	□	Lever handle model	□	Material/Finish
4	Without PC-hole – round	1	RONDO H1.1	1	Silver/EV1 look
5	Without PC-hole – square	2	RONDO H1.2	3	PVD brass
6	PC 92 mm – round	7	BELCANTO-Panik H3.1	7	White (RAL 9016)
7	PC 92 mm – square	8	BELCANTO-Panik H3.2	8	Matt stainless steel
8	Swiss RC 94 mm – round	A	OFFICE H4.2		
9	Swiss RC 94 mm – square	C	LEGATO H5.2		
		E	TREMOLO H6.2		
		G	DIRIGENT H7.2		

Accessories: spindles and screws see from page 482 – **more information** about the lever sets from page 12

*Ordering example

Active leaf: lever set with rosettes = B-72030-□□-0-□
 Cylinder hole – backplate design = PC – oval = 0 [refer to table]
 Lever handle model = RONDO H1.1 = 1 [refer to table]
 Material/Finish = matt stainless steel = 8 [refer to table]



Combination RNEO 400

Narrow stile doors, standard function, single-leaf, top-locking



Monitoring contacts

Product	Cylinder cam monitoring	Latch monitoring	Deadbolt monitoring	Follower monitoring	Electrically coupled exterior lever handle	Combinable with electric strike
1839	■	■	■	■	–	■

Door monitoring

No.	Product	Description	See page
1	B 5490 xxxx	Connecting cable for lock monitoring device	453
2	6-xxxxx-xx-x-x	Cable link	450
3	B 5469 0010	Door contact	499

Door closers

For detailed order information please refer to our order catalogue for door closers.

Combination RNE 120

Narrow stile doors, standard function, single-leaf



Inside



Outside

Functional description

Inside

The door leaf is opened by key and lever handle; and locked with the key.

Outside

The door leaf is opened by key and lever handle; the door is locked with the key.

Possible applications

- Suitable for fire and smoke protection doors
- As the fixed knob or push/pull handle is on the outside, access from the outside is only possible using the key
- Optional combination with electric access control and/or escape door security components (see the following pages)

Recommendation

- Doors on transformer stations and boiler rooms
- Elevator systems
- Underground car parks
- Entrance doors for warehouses and office buildings
- Storage rooms
- Basement rooms

Combination RNE 120

Narrow stile doors, standard function, single-leaf



Active leaf:

- ① = Fire protection door lock
- ② = Striker



Active leaf						
No.	Product	Backset	Faceplate 24 x 3 x 270 mm Non-handed		Additional PC/Swiss RC versions see page	
1	1828	35	B-18280-01-U-8		272	
		40	B-18280-02-U-8		272	
		45	B-18280-03-U-8		272	
	1311	Product	Backset	Faceplate 24 x 3 x 245 mm		Additional PC/Swiss RC versions see page
				DIN LH	DIN RH	
				35	B 1311 0053	
40	B 1311 0055	B 1311 0056	252			
45	B 1311 0057	B 1311 0058	252			

Frame				
Striker				
No.	Product			See page
2	Flat striker	Non-handed	B-90000-04-0-8	420
		DIN LH	B-90000-58-L-8	421
	Lipped striker	DIN RH	B-90000-58-R-8	

Combination RNE 120

Narrow stile doors, standard function, single-leaf



Inside



Outside

Active leaf: entrance set with rosettes

Order number*		Knob			
B-72330-□□-0-□		K1.1 round knob			
B-72530-□□-0-□		K2.1 ball knob			
□	Cylinder hole – backplate design	□	Lever handle model	□	Material/Finish
0	PC – oval	1	RONDO H1.1	1	Silver/EV1 look
1	PC – square	2	RONDO H1.2	3	PVD brass
2	CHRC – oval	7	BELCANTO-Panik H3.1	7	White (RAL 9016)
3	CHRC – square	8	BELCANTO-Panik H3.2	8	Matt stainless steel
4	Without PC-hole – oval	A	OFFICE H4.2		
5	Without PC-hole – square	C	LEGATO H5.2		
6	Without rosette escutcheon – oval	E	TREMOLO H6.2		
7	Without rosette escutcheon – square	G	DIRIGENT H7.2		

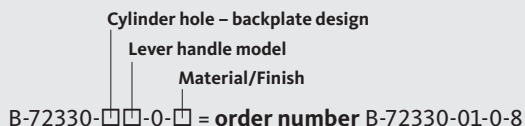
Active leaf: entrance set with long backplates

Order number*		Knob			
B-72340-□□-0-□		K1.1 round knob			
B-72540-□□-0-□		K2.1 ball knob			
□	Cylinder hole – backplate design	□	Lever handle model	□	Material/Finish
4	Without PC-hole – round	1	RONDO H1.1	1	Silver/EV1 look
5	Without PC-hole – square	2	RONDO H1.2	3	PVD brass
6	PC 92 mm – round	7	BELCANTO-Panik H3.1	7	White (RAL 9016)
7	PC 92 mm – square	8	BELCANTO-Panik H3.2	8	Matt stainless steel
8	Swiss RC 94 mm – round	A	OFFICE H4.2		
9	Swiss RC 94 mm – square	C	LEGATO H5.2		
		E	TREMOLO H6.2		
		G	DIRIGENT H7.2		

Accessories: spindles and screws see from page 482 – **more information** about the lever sets from page 12

*Ordering example

Active leaf: entrance set with rosettes = B-72330-□□-0-□
 Cylinder hole – backplate design = PC – oval = 0 [refer to table]
 Lever handle model = RONDO H1.1 = 1 [refer to table]
 Material/Finish = matt stainless steel = 8 [refer to table]



Combination RNE 120

Narrow stile doors, standard function, single-leaf



Monitoring contacts						
Product	Cylinder cam monitoring	Latch monitoring	Deadbolt monitoring	Follower monitoring	Electrically coupled exterior lever handle	Combinable with electric strike
1828	■	■	■	■	-	■
1311	-	-	■	-	-	■

Door monitoring			
No.	Product	Description	See page
1	B 5490 xxxx	Connecting cable for lock monitoring device	453
2	6-xxxxx-xx-x-x	Cable link	450
3	B 5469 0010	Door contact	499

Door closers
For detailed order information please refer to our order catalogue for door closers.

Combination RNEO 420

Narrow stile doors, standard function, single-leaf, top-locking



Inside



Outside

Functional description

Inside

The door leaf is opened by key and lever handle; the spring-operated top latch is retracted by the rod; the door is locked with the key.

Outside

The door leaf is opened by key and lever handle; the door is locked with the key.

Possible applications

- Suitable for fire and smoke protection doors
- As the fixed knob or push/pull handle is on the outside, access from the outside is only possible using the key
- Suitable for very high entrance doors with a tendency to warp (only by agreement with the door fabricator and in compliance with approvals)
- Enhanced burglar protection and gasket pressure thanks to the additional top-locking feature
- Optional combination with electric access control and/or escape door security components (see the following pages)

Recommendation

- Doors on transformer stations and boiler rooms
- Elevator systems
- Underground car parks
- Entrance doors for warehouses and office buildings
- Basement rooms
- Cleaning equipment rooms

Combination RNEO 420

Narrow stile doors, standard function, single-leaf, top-locking



Active leaf:

- 1 = Fire protection door lock with top-locking feature
- 2 = Spring-operated top latch
- 3 = Vertical rod
- 4 = Striker



Active leaf						
No.	Product	Backset	Faceplate 24 x 3 x 270 mm Non-handed			Additional PC/Swiss RC versions see page
1	1839	35	B-18390-01-U-8			276
		40	B-18390-02-U-8			276
		45	B-18390-03-U-8			276
2	1795	35, 40, 45	B 1795 0001			411
3	9006	35, 40, 45	Rod length	1385 mm	B 9006 0022	436
				1500 mm	B 9006 0013	436

Frame					
Striker					
No.	Product			See page	
4	Flat striker	Non-handed		B-90000-04-0-8	420
	Lipped striker	DIN LH		B-90000-58-L-8	421
		DIN RH		B-90000-58-R-8	
	Lipped striker for lock 1795	Non-handed		B 9000 0567	426

Combination RNEO 420

Narrow stile doors, standard function, single-leaf, top-locking



Inside



Outside

Active leaf: entrance set with rosettes

Order number*		Knob			
B-72330-□□-0-□		K1.1 round knob			
B-72530-□□-0-□		K2.1 ball knob			
□	Cylinder hole – backplate design	□	Lever handle model	□	Material/Finish
0	PC – oval	1	RONDO H1.1	1	Silver/EV1 look
1	PC – square	2	RONDO H1.2	3	PVD brass
2	CHRC – oval	7	BELCANTO-Panik H3.1	7	White (RAL 9016)
3	CHRC – square	8	BELCANTO-Panik H3.2	8	Matt stainless steel
4	Without PC-hole – oval	A	OFFICE H4.2		
5	Without PC-hole – square	C	LEGATO H5.2		
6	Without rosette escutcheon – oval	E	TREMOLO H6.2		
7	Without rosette escutcheon – square	G	DIRIGENT H7.2		

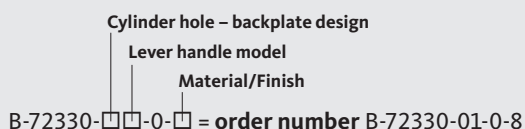
Active leaf: entrance set with long backplates

Order number*		Knob			
B-72340-□□-0-□		K1.1 round knob			
B-72540-□□-0-□		K2.1 ball knob			
□	Cylinder hole – backplate design	□	Lever handle model	□	Material/Finish
4	Without PC-hole – round	1	RONDO H1.1	1	Silver/EV1 look
5	Without PC-hole – square	2	RONDO H1.2	3	PVD brass
6	PC 92 mm – round	7	BELCANTO-Panik H3.1	7	White (RAL 9016)
7	PC 92 mm – square	8	BELCANTO-Panik H3.2	8	Matt stainless steel
8	Swiss RC 94 mm – round	A	OFFICE H4.2		
9	Swiss RC 94 mm – square	C	LEGATO H5.2		
		E	TREMOLO H6.2		
		G	DIRIGENT H7.2		

Accessories: spindles and screws see from page 482 – **more information** about the lever sets from page 12

*Ordering example

Active leaf: entrance set with rosettes = B-72330-□□-0-□
 Cylinder hole – backplate design = PC – oval = 0 [refer to table]
 Lever handle model = RONDO H1.1 = 1 [refer to table]
 Material/Finish = matt stainless steel = 8 [refer to table]



Combination RNEO 420

Narrow stile doors, standard function, single-leaf, top-locking



Monitoring contacts

Product	Cylinder cam monitoring	Latch monitoring	Deadbolt monitoring	Follower monitoring	Electrically coupled exterior lever handle	Combinable with electric strike
1839	■	■	■	■	–	■

Door monitoring

No.	Product	Description	See page
1	B 5490 xxxx	Connecting cable for lock monitoring device	453
2	6-xxxx-xx-x-x	Cable link	450
3	B 5469 0010	Door contact	499

Door closers

For detailed order information please refer to our order catalogue for door closers.

Combination RNZA 150

Narrow stile doors, standard function, double-leaf, automatic locking of passive leaf



Functional description

Active leaf

Inside

The active leaf is opened with the key and lever handle and locked with the key.

Outside

The active leaf is opened with the key and lever handle and locked with the key.

Passive leaf

Inside

The passive leaf can only be unlocked when the active leaf is open. By operating the lever integrated in the faceplate of the lever-operated shoot-bolt lock, the vertical rod is retracted manually into the door leaf. The vertical rod is then engaged to prevent it from extending. Upon closing, the passive leaf is locked automatically via the vertical rod. The closing sequence of the door is controlled by the door-leaf coordinator integrated in the door closer.

Possible applications

- Suitable for fire and smoke protection doors
- As the lever handle is on the outside, the door can be used as a connecting door from both sides
- The passive leaf is only operated via the lever-operated shoot-bolt lock if required
- Optional combination with electric access control and/or escape door security components (see the following pages)

Recommendation

- Storage rooms
- Administrative areas

Combination RNZA 150

Narrow stile doors, standard function, double-leaf, automatic locking of passive leaf



Active leaf:

1 = Fire protection door lock



Passive leaf:

2 = Lever-operated shoot-bolt lock

3 = Passive-leaf control lock

4 = Vertical rod

5 = Solid vertical rod

6 = Striker

7 = Floor striker

8 = Guide plate for vertical rod

Active leaf							
No.	Product	Backset	Faceplate 24 x 3 x 270 mm Non-handed		Additional PC/Swiss RC versions see page		
1	1828	35	B-18280-01-U-8		272		
		40	B-18280-02-U-8		272		
		45	B-18280-03-U-8		272		
	1311	Product	Backset	Faceplate 24 x 3 x 245 mm		Additional PC/Swiss RC versions see page	
				DIN LH			DIN RH
				35	B 1311 0053		B 1311 0054
		40	B 1311 0055	B 1311 0056	252		
		45	B 1311 0057	B 1311 0058	252		

Passive leaf						
No.	Product	Backset	Faceplate 24 x 3 x 235 mm		Additional versions See page	
2	1899	35	B 1899 0203		414	
		40	B 1899 0204		414	
		45	B 1899 0205		414	
3	1895	30-45	B 1895 0003		412	
4	9006	With end plug	B 9006 0013		436	
5	9006	Solid	B 9006 0004		436	
6	9000	For 1828	Flat striker	Non-handed	B-90000-04-0-8	420
			Lipped striker	DIN LH	B-90000-58-L-8	
		DIN RH		B-90000-58-R-8		
		For 1895	Lipped striker	Non-handed	B 9000 0490	426
7	9009/B-0028	-	B 9009 0001 or B-00280-20-0-8		438	
8	9019	-	B 9019 0001		439	

Combination RNZA 150

Narrow stile doors, standard function, double-leaf, automatic locking of passive leaf



Inside



Outside

Active leaf: lever handle set with rosettes

Order number*

B-72030-□□-0-□

□	Cylinder hole – backplate design	□	Lever handle model	□	Material/Finish
0	PC – oval	1	RONDO H1.1	1	Silver/EV1 look
1	PC – square	2	RONDO H1.2	3	PVD brass
2	CHRC – oval	7	BELCANTO-Panik H3.1	7	White (RAL 9016)
3	CHRC – square	8	BELCANTO-Panik H3.2	8	Matt stainless steel
4	Without PC-hole – oval	A	OFFICE H4.2		
5	Without PC-hole – square	C	LEGATO H5.2		
6	Without rosette escutcheon – oval	E	TREMOLO H6.2		
7	Without rosette escutcheon – square	G	DIRIGENT H7.2		

Active leaf: lever handle set with long backplates

Order number*

B-72040-□□-0-□

□	Cylinder hole – backplate design	□	Lever handle model	□	Material/Finish
4	Without PC-hole – round	1	RONDO H1.1	1	Silver/EV1 look
5	Without PC-hole – square	2	RONDO H1.2	3	PVD brass
6	PC 92 mm – round	7	BELCANTO-Panik H3.1	7	White (RAL 9016)
7	PC 92 mm – square	8	BELCANTO-Panik H3.2	8	Matt stainless steel
8	Swiss RC 94 mm – round	A	OFFICE H4.2		
9	Swiss RC 94 mm – square	C	LEGATO H5.2		
		E	TREMOLO H6.2		
		G	DIRIGENT H7.2		

Accessories: spindles and screws see from page 482 – **more information** about the lever sets from page 12

*Ordering example

Active leaf: lever handle set with rosettes = B-72030-□□-0-□

Cylinder hole – backplate design = PC – oval = 0 [refer to table]

Lever handle model = RONDO H1.1 = 1 [refer to table]

Material/Finish = matt stainless steel = 8 [refer to table]

Cylinder hole – backplate design
 Lever handle model
 Material/Finish
 B-72030-□□-0-□ = order number B-72030-01-0-8

Combination RNZA 150

Narrow stile doors, standard function, double-leaf, automatic locking of passive leaf



Monitoring contacts

Product	Cylinder cam monitoring	Latch monitoring	Deadbolt monitoring	Follower monitoring	Electrically coupled exterior lever handle	Combinable with electric strike
1828	■	■	■	■	-	■
1311	-	-	■	-	-	■

Door monitoring

No.	Product	Description	See page
1	B 5490 xxxx	Connecting cable for lock monitoring device	453
2	6-xxxxx-xx-x-x	Cable link	450
3	B 5469 0010	Door contact	499

Door closer/carrier bar

For detailed order information please refer to our order catalogue for door closers.

Combination RNZO 150

Narrow stile doors, standard function, double-leaf, active leaf with top-locking



Inside

Outside



Functional description

Active leaf

Inside

The active leaf is opened by key and lever handle; the spring-operated top latch is retracted by the rod; the door is locked with the key.

Outside

The active leaf is opened with the key and lever handle and locked with the key.

Passive leaf

Inside

The passive leaf can only be unlocked when the active leaf is open. By operating the lever integrated in the faceplate of the lever-operated shoot-bolt lock, the vertical rod is retracted manually into the door leaf. The vertical rod is then engaged to prevent it from extending. Upon closing, the passive leaf is locked automatically via the vertical rod. The closing sequence of the door is controlled by the door-leaf coordinator integrated in the door closer.

Possible applications

- Suitable for fire and smoke protection doors
- As the lever handle is on the outside, the door can be used as a connecting door from both sides
- Suitable for very high entrance doors with a tendency to warp (only by agreement with the door fabricator and in compliance with approvals)
- Enhanced burglar protection and gasket pressure thanks to the additional top-locking feature
- The passive leaf is only operated via the lever-operated shoot-bolt lock if required
- Optional combination with electric access control and/or escape door security components (see the following pages)

Recommendation

- Storage rooms
- Administrative areas

Combination RNZO 150

Narrow stile doors, standard function, double-leaf, active leaf with top-locking



Active leaf:

- 1 = Fire protection door lock with top-locking feature
- 2 = Spring-operated top latch
- 3 = Vertical rod
- 8 = Striker



Passive leaf:

- 4 = Lever-operated shoot-bolt lock
- 5 = Passive-leaf control lock
- 6 = Vertical rod
- 7 = Solid vertical rod
- 8 = Striker
- 9 = Floor striker
- 10 = Guide plate for vertical rod

Active leaf						
No.	Product	Backset	Faceplate 24 x 3 x 270 mm Non-handed			Additional PC/Swiss RC versions see page
1	1839	35	B-18390-01-U-8			276
		40	B-18390-02-U-8			276
		45	B-18390-03-U-8			276
2	1795	35, 40, 45	B 1795 0001			411
3	9006	35, 40, 45	Rod length	1385 mm	B 9006 0022	436
				1500 mm	B 9006 0013	436

Passive leaf						
No.	Product	Backset	Faceplate 24 x 3 x 235 mm			Additional versions See page
4	1899	35	B 1899 0203			414
		40	B 1899 0204			414
		45	B 1899 0205			414
5	1895	30-45	B 1895 0003			412
6	9006	With end plug	B 9006 0013			436
7	9006	Solid	B 9006 0004			436
8	9000	For 1839	Flat striker	Non-handed	B-90000-04-0-8	420
			Lipped striker	DIN LH	B-90000-58-L-8	421
		DIN RH		B-90000-58-R-8		
		for lock 1895/1795	Lipped striker	Non-handed	B 9000 0490 and B 9000 0567	426
9	9009/B-0028	-	B 9009 0001 or B-00280-20-0-8			438
10	9019	-	B 9019 0001			439

Combination RNZO 150

Narrow stile doors, standard function, double-leaf, active leaf with top-locking



Inside



Outside

Active leaf: lever handle set with rosettes

Order number*

B-72030-□□-0-□

□	Cylinder hole – backplate design	□	Lever handle model	□	Material/Finish
0	PC – oval	1	RONDO H1.1	1	Silver/EV1 look
1	PC – square	2	RONDO H1.2	3	PVD brass
2	CHRC – oval	7	BELCANTO-Panik H3.1	7	White (RAL 9016)
3	CHRC – square	8	BELCANTO-Panik H3.2	8	Matt stainless steel
4	Without PC-hole – oval	A	OFFICE H4.2		
5	Without PC-hole – square	C	LEGATO H5.2		
6	Without rosette escutcheon – oval	E	TREMOLO H6.2		
7	Without rosette escutcheon – square	G	DIRIGENT H7.2		

Active leaf: lever handle set with long backplates

Order number*

B-72040-□□-0-□

□	Cylinder hole – backplate design	□	Lever handle model	□	Material/Finish
4	Without PC-hole – round	1	RONDO H1.1	1	Silver/EV1 look
5	Without PC-hole – square	2	RONDO H1.2	3	PVD brass
6	PC 92 mm – round	7	BELCANTO-Panik H3.1	7	White (RAL 9016)
7	PC 92 mm – square	8	BELCANTO-Panik H3.2	8	Matt stainless steel
8	Swiss RC 94 mm – round	A	OFFICE H4.2		
9	Swiss RC 94 mm – square	C	LEGATO H5.2		
		E	TREMOLO H6.2		
		G	DIRIGENT H7.2		

Accessories: spindles and screws see from page 482 – **more information** about the lever sets from page 12

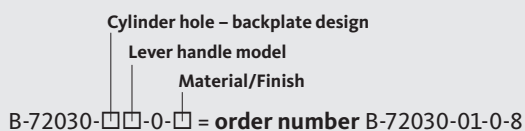
*Ordering example

Active leaf: lever set with rosettes = B-72030-□□-0-□

Cylinder hole – backplate design = PC – oval = 0 [refer to table]

Lever handle model = RONDO H1.1 = 1 [refer to table]

Material/Finish = matt stainless steel = 8 [refer to table]



Combination RNZO 150

Narrow stile doors, standard function, double-leaf, active leaf with top-locking



Monitoring contacts

Product	Cylinder cam monitoring	Latch monitoring	Deadbolt monitoring	Follower monitoring	Electrically coupled exterior lever handle	Combinable with electric strike
1839	■	■	■	■	–	■

Door monitoring

No.	Product	Description	See page
1	B 5490 xxxx	Connecting cable for lock monitoring device	453
2	6-xxxx-xx-x-x	Cable link	450
3	B 5469 0010	Door contact	499

Door closer/carrier bar

For detailed order information please refer to our order catalogue for door closers.

Combination RNZA 180

Narrow stile doors, standard function, double-leaf, automatic locking of passive leaf



Functional description

Active leaf

Inside

The active leaf is opened with the key and lever handle and locked with the key.

Outside

The active leaf can only be opened with the key and is locked with the key.

Passive leaf

Inside

The passive leaf can only be unlocked when the active leaf is open. By operating the lever integrated in the faceplate of the lever-operated shoot-bolt lock, the vertical rod is retracted manually into the door leaf. The vertical rod is then engaged to prevent it from extending. Upon closing, the passive leaf is locked automatically via the vertical rod. The closing sequence of the door is controlled by the door-leaf coordinator integrated in the door closer.

Possible applications

- Suitable for fire and smoke protection doors
- As the fixed knob or push/pull handle is on the outside, access from the outside is only possible using the key
- The passive leaf is only operated via the lever-operated shoot-bolt lock if required
- Optional combination with electric access control and/or escape door security components (see the following pages)

Recommendation

- Storage rooms
- Administrative areas

Combination RNZA 180

Narrow stile doors, standard function, double-leaf, automatic locking of passive leaf



Active leaf:

1 = Fire protection door lock



Passive leaf:

2 = Lever-operated shoot-bolt lock

3 = Passive-leaf control lock

4 = Vertical rod

5 = Solid vertical rod

6 = Striker

7 = Floor striker

8 = Guide plate for vertical rod

Active leaf							
No.	Product	Backset	Faceplate 24 x 3 x 270 mm Non-handed		Additional PC/Swiss RC versions see page		
1	1828	35	B-18280-01-U-8		272		
		40	B-18280-02-U-8		272		
		45	B-18280-03-U-8		272		
	1311	Product	Backset	Faceplate 24 x 3 x 245 mm		Additional PC/Swiss RC versions see page	
				DIN LH			DIN RH
				35	B 1311 0053		B 1311 0054
	40	B 1311 0055	B 1311 0056	252			
	45	B 1311 0057	B 1311 0058	252			

Passive leaf						
No.	Product	Backset	Faceplate 24 x 3 x 235 mm		Additional versions See page	
2	1899	35	B 1899 0203		414	
		40	B 1899 0204		414	
		45	B 1899 0205		414	
3	1895	30-45	B 1895 0003		412	
4	9006	With end plug	B 9006 0013		436	
5	9006	Solid	B 9006 0004		436	
6	9000	For 1828	Flat striker	Non-handed	B-90000-04-0-8	420
			Lipped striker	DIN LH	B-90000-58-L-8	
		DIN RH		B-90000-58-R-8		
		For 1895	Lipped striker	Non-handed	B 9000 0490	
7	9009/B-0028	-	B 9009 0001 or B-00280-20-0-8		438	
8	9019	-	B 9019 0001		439	

Combination RNZA 180

Narrow stile doors, standard function, double-leaf, automatic locking of passive leaf



Inside



Outside

Active leaf: entrance set with rosettes

Order number*		Knob			
B-72330-□□-0-□		K1.1 round knob			
B-72530-□□-0-□		K2.1 ball knob			
□	Cylinder hole – backplate design	□	Lever handle model	□	Material/Finish
0	PC – oval	1	RONDO H1.1	1	Silver/EV1 look
1	PC – square	2	RONDO H1.2	3	PVD brass
2	CHRC – oval	7	BELCANTO-Panik H3.1	7	White (RAL 9016)
3	CHRC – square	8	BELCANTO-Panik H3.2	8	Matt stainless steel
4	Without PC-hole – oval	A	OFFICE H4.2		
5	Without PC-hole – square	C	LEGATO H5.2		
6	Without rosette escutcheon – oval	E	TREMOLO H6.2		
7	Without rosette escutcheon – square	G	DIRIGENT H7.2		

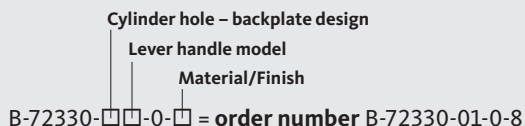
Active leaf: entrance set with long backplates

Order number*		Knob			
B-72340-□□-0-□		K1.1 round knob			
B-72540-□□-0-□		K2.1 ball knob			
□	Cylinder hole – backplate design	□	Lever handle model	□	Material/Finish
4	Without PC-hole – round	1	RONDO H1.1	1	Silver/EV1 look
5	Without PC-hole – square	2	RONDO H1.2	3	PVD brass
6	PC 92 mm – round	7	BELCANTO-Panik H3.1	7	White (RAL 9016)
7	PC 92 mm – square	8	BELCANTO-Panik H3.2	8	Matt stainless steel
8	Swiss RC 94 mm – round	A	OFFICE H4.2		
9	Swiss RC 94 mm – square	C	LEGATO H5.2		
		E	TREMOLO H6.2		
		G	DIRIGENT H7.2		

Accessories: spindles and screws see from page 482 – **more information** about the lever sets from page 12

*Ordering example

Active leaf: entrance set with rosettes = B-72330-□□-0-□
 Cylinder hole – backplate design = PC – oval = 0 [refer to table]
 Lever handle model = RONDO H1.1 = 1 [refer to table]
 Material/Finish = matt stainless steel = 8 [refer to table]



Combination RNZA 180

Narrow stile doors, standard function, double-leaf, automatic locking of passive leaf



Monitoring contacts

Product	Cylinder cam monitoring	Latch monitoring	Deadbolt monitoring	Follower monitoring	Electrically coupled exterior lever handle	Combinable with electric strike
1828	■	■	■	■	-	■
1311	-	-	■	-	-	■

Door monitoring

No.	Product	Description	See page
1	B 5490 xxxx	Connecting cable for lock monitoring device	453
2	6-xxxxx-xx-x-x	Cable link	450
3	B 5469 0010	Door contact	499

Door closer/carrier bar

For detailed order information please refer to our order catalogue for door closers.

Combination RPE 100

Narrow stile doors, panic function, single-leaf



Inside



Outside



Functional description

Inside

The door can be opened by the lever handle at any time (panic function). With series 18, the door is locked with the key. With series 19, the door locks automatically without a key.

- Panic function B
- Panic function C
- Panic function D (not with series 19)

Outside

The door leaf is opened using the key and lever handle. With series 18, the door is locked with the key. With series 19, the door locks automatically without a key.

Possible applications

- Emergency exits to EN 179 in areas not accessible to the public
- Suitable for fire and smoke protection doors
- As the lever handle is on the outside, the door can be used as a connecting door from both sides depending on the particular panic function
- Optional combination with electric access control and/or escape door security components (see the following pages)

Recommendation

- Hallway doors in office buildings
- Homes for the elderly
- Secondary entrance doors
- Secondary entrance doors in kindergartens, schools and hotels

Combination RPE 100

Narrow stile doors, panic function, single-leaf



Active leaf:

- ① = Panic lock
- ② = Striker



Active leaf						
No.	Product	Backset	Panic function B Faceplate 24 x 3 x 270 mm Non-handed	Panic function C Faceplate 24 x 3 x 270 mm Non-handed	Panic function D Faceplate 24 x 3 x 270 mm Non-handed	Additional PC/Swiss RC versions see page
1	1820 B 1822 C 1824 D	35	B-18200-01-L-8	B-18220-01-L-8	B-18240-01-L-8	282 / 286 / 290
		40	B-18200-02-L-8	B-18220-02-L-8	B-18240-02-L-8	282 / 286 / 290
		45	B-18200-03-L-8	B-18220-03-L-8	B-18240-03-L-8	282 / 286 / 290
	Product	Backset	Latch lever function Faceplate 24 x 3 x 270 mm Non-handed	U-faceplate 24 x 6 x 2 x 268 mm Non-handed		Additional PC/Swiss RC versions see page
	1970 Electrically coupled	35	B-19700-00-U-8	B-19700-11-U-8		380
		40	B-19700-02-U-8	B-19700-13-U-8		380
		45	B-19700-04-U-8	B-19700-14-U-8		380
	Product	Backset	Panic function B Faceplate 24 x 3 x 270 mm Non-handed	U-faceplate 24 x 6 x 2 x 268 mm Non-handed	Panic function C Faceplate 24 x 3 x 270 mm Non-handed	Additional PC/Swiss RC versions see page
	1910 Self-locking	35	B-19100-00-U-8	B-19100-10-U-8	–	360
		40	B-19100-01-U-8	B-19100-11-U-8	–	360
		45	B-19100-02-U-8	B-19100-12-U-8	–	360
	1912 Self-locking	35	–	–	B-19120-00-U-8	364
		40	–	–	B-19120-01-U-8	364
		45	–	–	B-19120-02-U-8	364

Frame						
Striker						
No.	Product			See page	Product	See page
2	Flat striker	Non-handed	B-90000-04-0-8 (series 18)	420	B-90000-00-0-8 (series 19)	420
	Lipped striker	DIN LH	B-90000-58-L-8	421	B-90000-52-L-8	422
		DIN RH	B-90000-58-R-8		B-90000-52-R-8	

Combination RPE 100

Narrow stile doors, panic function, single-leaf



Inside



Outside

Active leaf: lever handle set with rosettes

Order number*

B-72030-□□-0-□

□	Cylinder hole – backplate design	□	Lever handle model	□	Material/Finish
0	PC – oval	1	RONDO H1.1	1	Silver/EV1 look
1	PC – square	2	RONDO H1.2	3	PVD brass
2	CHRC – oval	7	BELCANTO-Panik H3.1	7	White (RAL 9016)
3	CHRC – square	8	BELCANTO-Panik H3.2	8	Matt stainless steel
4	Without PC-hole – oval	A	OFFICE H4.2		
5	Without PC-hole – square	C	LEGATO H5.2		
6	Without rosette escutcheon – oval	E	TREMOLO H6.2		
7	Without rosette escutcheon – square	G	DIRIGENT H7.2		

Active leaf: lever handle set with long backplates

Order number*

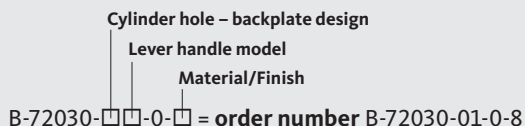
B-72040-□□-0-□

□	Cylinder hole – backplate design	□	Lever handle model	□	Material/Finish
4	Without PC-hole – round	1	RONDO H1.1	1	Silver/EV1 look
5	Without PC-hole – square	2	RONDO H1.2	3	PVD brass
6	PC 92 mm – round	7	BELCANTO-Panik H3.1	7	White (RAL 9016)
7	PC 92 mm – square	8	BELCANTO-Panik H3.2	8	Matt stainless steel
8	Swiss RC 94 mm – round	A	OFFICE H4.2		
9	Swiss RC 94 mm – square	C	LEGATO H5.2		
		E	TREMOLO H6.2		
		G	DIRIGENT H7.2		

Accessories: spindles and screws see from page 482 – **more information** about the lever sets from page 12

*Ordering example

Active leaf: lever set with rosettes = B-72030-□□-0-□
 Cylinder hole – backplate design = PC – oval = 0 [refer to table]
 Lever handle model RONDO H1.1 = 1 [refer to table]
 Material/Finish = matt stainless steel = 8 [refer to table]



Combination RPE 100

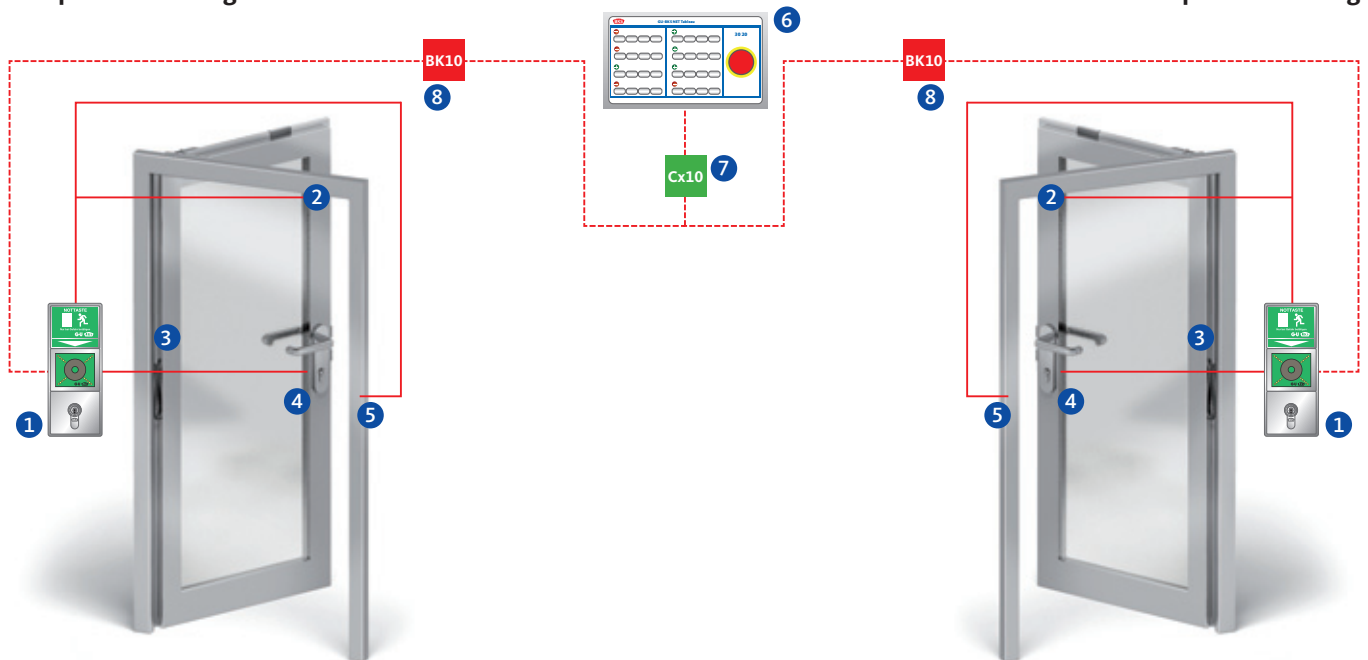
Narrow stile doors, panic function, single-leaf



Escape door locking

Centralised control and visualisation

Escape door locking



Monitoring contacts

Product	Cylinder cam monitoring	Latch monitoring	Deadbolt monitoring	Follower monitoring	Electrically coupled exterior lever handle	Combinable with electric strike
1820/1822/1824	■	■	■	■	–	■
1910	■	■	–	■	–	–
1912	■	■	–	■	–	–
1970	Including	Including	–	Including	■	–
1920 EVP	■	–	–	–	–	–

Escape door locking

No.	Product	Description	See page
1	B 5580 09xx	Escape door terminal set with integral power supply unit	488
2	B 5469 0010	Door contact	499
3	6-xxxx-xx-x-x	Cable link	450
4	B 5490 xxxx	Connecting cable for EK lock or lock monitoring device	453
5	B 5465 040x	Electric escape door strike	496

Centralised control and visualisation

No.	Product	Description	See page
6	B 5580 0611	BKS-NET panel with pre-installed software, licence included, for max. 8 doors (without collective display)	500
7	B 5580 0421	CU10 building bus coupler (USB interface)	505
8	B 5580 0411	BK10 in-wall bus interface (without frame/cover)	505

Door closers

For detailed order information please refer to our order catalogue for door closers.

Combination RPEO 400

Narrow stile doors, panic function, single-leaf, top-locking



Inside



Outside

Functional description

Inside

The door can be opened by the lever handle at any time (panic function). With series 18, the door is locked with the key. With series 19, the door locks automatically without a key.

- Panic function B
- Panic function C
- Panic function D (not with series 19)

Outside

The door leaf is opened using the key and lever handle. With series 18, the door is locked with the key. With series 19, the door locks automatically without a key.

Possible applications

- Emergency exits to EN 179 in areas not accessible to the public
- Suitable for fire and smoke protection doors
- As the lever handle is on the outside, the door can be used as a connecting door from both sides depending on the particular panic function
- Suitable for very high entrance doors with a tendency to warp (only by agreement with the door fabricator and in compliance with approvals)
- Enhanced burglar protection and gasket pressure thanks to the additional top-locking feature
- Optional combination with electric access control and/or escape door security components (see the following pages)

Recommendation

- Hallway doors in office buildings
- Homes for the elderly
- Service rooms
- Secondary entrance doors in kindergartens, schools and hotels

Combination RPEO 400

Narrow stile doors, panic function, single-leaf, top-locking



Active leaf:

- ① = Panic lock with top-locking feature
- ② = Spring-operated top latch
- ③ = Vertical rod/spring-loaded vertical
- ④ = Striker



Active leaf									
No.	Product	Backset	Panic function B Faceplate 24 x 3 x 270 mm Non-handed		Panic function C Faceplate 24 x 3 x 270 mm (320 mm) Non-handed		Panic function D Faceplate 24 x 3 x 270 mm Non-handed	Additional PC/Swiss RC versions see page	
1	1830 B 1832 C 1834 D	35	B-18300-01-L-8		B-18320-01-L-8		B-18340-01-L-8	298 / 302 / 306	
		40	B-18300-02-L-8		B-18320-02-L-8		B-18340-02-L-8	298 / 302 / 306	
		45	B-18300-03-L-8		B-18320-03-L-8		B-18340-03-L-8	298 / 302 / 306	
	Product	Backset	Latch lever function Faceplate 24 x 3 x 320 mm Non-handed		U-faceplate 24 x 6 x 2 x 318 mm Non-handed			Additional PC/Swiss RC versions see page	
	1980 Electrically coupled	35	B-19800-00-U-8		B-19800-06-U-8			384	
		40	B-19800-02-U-8		-			384	
		45	B-19800-03-U-8		-			384	
	Product	Backset	Panic function B Faceplate 24 x 3 x 270 mm Non-handed		Panic function C Faceplate 24 x 3 x 270 mm Non-handed		U-faceplate 24 x 6 x 2 x 268 mm Non-handed		Additional PC/Swiss RC versions see page
	1900 B 1902 C Self-locking	35	B-19000-00-U-8		B-19000-06-U-8		B-19020-06-U-8		348 / 352
		40	B-19000-01-U-8		B-19000-07-U-8		B-19020-07-U-8		348 / 352
45		B-19000-02-U-8		B-19000-08-U-8		B-19020-08-U-8		348 / 352	
2	1795	35, 40, 45	B 1795 0001					411	
3	9006 for series 18/19	35, 40, 45	Rod length	1385 mm		B 9006 0022		436	
				1500 mm		B 9006 0013		436	
	9036 for series 19 EK	35, 40, 45	For door heights up to:	2250 mm		B 9036 0001		437	
				2500 mm		B 9036 0002		437	

Frame							
Striker							
No.	Product			See page	Product	See page	
4	Flat striker	Non-handed	B-90000-04-0-8 (series 18)		420	B-90000-00-0-8 (series 19)	420
	Lipped striker	DIN LH	B-90000-58-L-8		421	B-90000-52-L-8	422
		DIN RH	B-90000-58-R-8			B-90000-52-R-8	
	Lipped striker for lock 1795	Non-handed	B 9000 0567		426		

Combination RPEO 400

Narrow stile doors, panic function, single-leaf, top-locking



Inside



Outside

Active leaf: lever handle set with rosettes

Order number*

B-72030-□□-0-□

□	Cylinder hole – backplate design	□	Lever handle model	□	Material/Finish
0	PC – oval	1	RONDO H1.1	1	Silver/EV1 look
1	PC – square	2	RONDO H1.2	3	PVD brass
2	CHRC – oval	7	BELCANTO-Panik H3.1	7	White (RAL 9016)
3	CHRC – square	8	BELCANTO-Panik H3.2	8	Matt stainless steel
4	Without PC-hole – oval	A	OFFICE H4.2		
5	Without PC-hole – square	C	LEGATO H5.2		
6	Without rosette escutcheon – oval	E	TREMOLO H6.2		
7	Without rosette escutcheon – square	G	DIRIGENT H7.2		

Active leaf: lever handle set with long backplates

Order number*

B-72040-□□-0-□

□	Cylinder hole – backplate design	□	Lever handle model	□	Material/Finish
4	Without PC-hole – round	1	RONDO H1.1	1	Silver/EV1 look
5	Without PC-hole – square	2	RONDO H1.2	3	PVD brass
6	PC 92 mm – round	7	BELCANTO-Panik H3.1	7	White (RAL 9016)
7	PC 92 mm – square	8	BELCANTO-Panik H3.2	8	Matt stainless steel
8	Swiss RC 94 mm – round	A	OFFICE H4.2		
9	Swiss RC 94 mm – square	C	LEGATO H5.2		
		E	TREMOLO H6.2		
		G	DIRIGENT H7.2		

Accessories: spindles and screws see from page 482 – **more information** about the lever sets from page 12

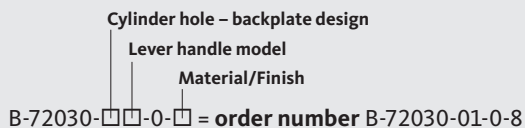
*Ordering example

Active leaf: lever handle set with rosettes = B-72030-□□-0-□

Cylinder hole – backplate design = PC – oval = 0 [refer to table]

Lever handle model RONDO H1.1 = 1 [refer to table]

Material/Finish = matt stainless steel = 8 [refer to table]



Combination RPEO 400

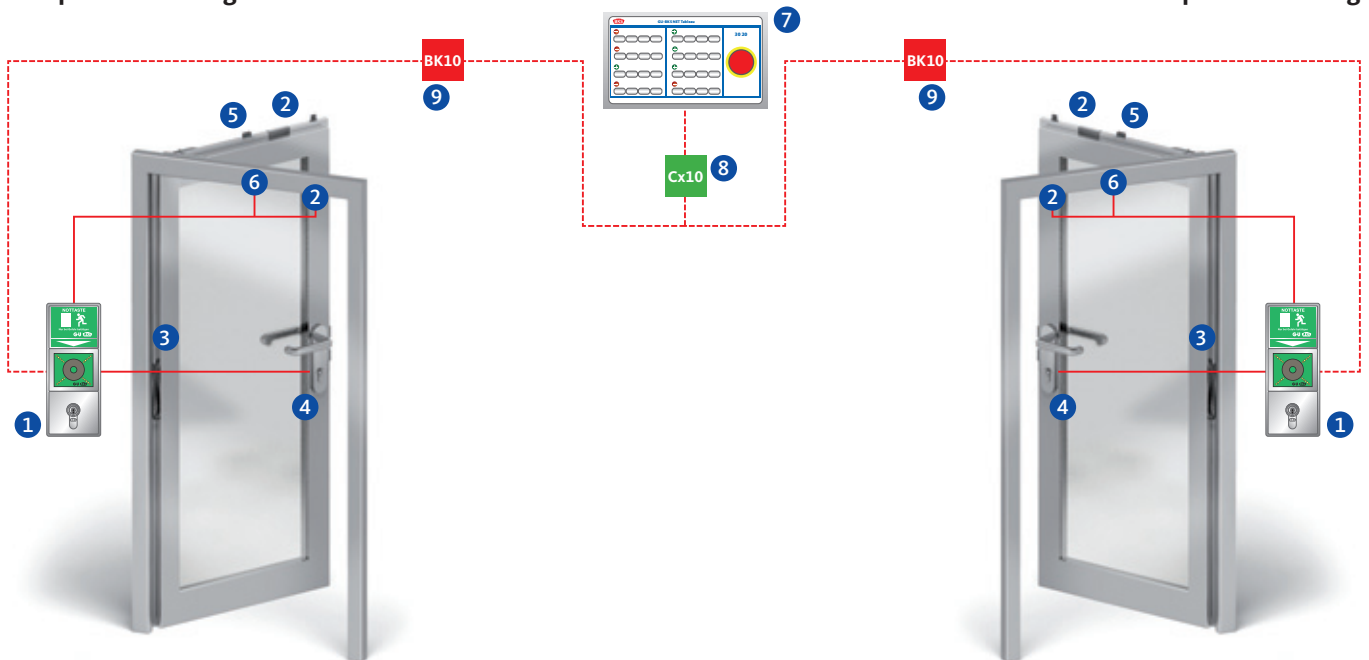
Narrow stile doors, panic function, single-leaf, top-locking



Escape door locking

Centralised control and visualisation

Escape door locking



Monitoring contacts

Product	Cylinder cam monitoring	Latch monitoring	Deadbolt monitoring	Follower monitoring	Electrically coupled exterior lever handle	Combinable with electric strike
1830/1832/1834	■	■	■	■	–	■
1900	■	■	–	■	–	–
1902	■	■	–	■	–	–
1980	Including	Including	–	Including	■	–

Escape door locking

No.	Product	Description	See page
1	B 5580 09xx	Escape door terminal set with integral power supply unit	488
2	B 5469 0010	Door contact	499
3	6-xxxx-xx-x-x	Cable link	450
4	B 5490 xxxx	Connecting cable for EK lock or lock monitoring device	453
5	B 5495 0010	Latch lock	496
6	B 5465 xxxx	Electric escape door strike	496

Centralised control and visualisation

No.	Product	Description	See page
7	B 5580 0611	BKS-NET panel with pre-installed software, licence included, for max. 8 doors (without collective display)	500
8	B 5580 0421	CU10 building bus coupler (USB interface)	505
9	B 5580 0411	BK10 in-wall bus interface (without frame/cover)	505

Door closers

For detailed order information please refer to our order catalogue for door closers.

Combination RPES 100

Narrow stile doors, panic function, single-leaf, SECURY



Inside



Outside



Functional description

Inside

The door can be opened by the lever handle at any time (panic function). With a SECURY lock, the door is automatically locked without having to use the key.

- Panic function B
- Panic function C

Outside

The door leaf is opened using the key and lever handle. With a SECURY lock, the door is automatically locked without having to use the key.

Possible applications

- Emergency exits to EN 179 in areas not accessible to the public
- Suitable for fire and smoke protection doors
- As the lever handle is on the outside, the door can be used as a connecting door from both sides depending on the particular panic function
- Suitable for very high entrance doors with a tendency to warp (only by agreement with the door fabricator and in compliance with approvals)
- Automatic multi-point locking
- Enhanced burglar protection and gasket pressure thanks to the additional locking
- In conjunction with an electric A-opener especially suited for use with intercoms on entrance doors (remote opening) and with automatic swing-door drives (barrier-free)
- Optional combination with electric access control and/or escape door security components (see the following pages)

Recommendation

- Hallway doors in office buildings
- Homes for the elderly
- Secondary entrance doors
- Secondary entrance doors in kindergartens, schools and hotels

Combination RPES 100

Narrow stile doors, panic function, single-leaf, SECURY



Active leaf:

- ① = SECURY panic lock
- ② = Striker



Active leaf					
No.	Product	Backset	Panic function B Faceplate 24 x 3 x 1750 mm		Additional PC/Swiss RC versions see page
			DIN LH	DIN RH	
1	SECURY 1910	35	6-38611-13-L-8	6-38611-13-R-8	392
		40	6-38611-14-L-8	6-38611-14-R-8	392
		45	6-38611-01-L-8	6-38611-01-R-8	392

Frame				
Striker				
No.	Product			See page
2	Lipped striker	Non-handed	B 9000 0911	428
	Striker	Non-handed	9-43501-xx-0-8	427

Combination RPES 100

Narrow stile doors, panic function, single-leaf, SECURY



Inside



Outside

Active leaf: lever handle set with rosettes

Order number*

B-72030-□□-0-□

□	Cylinder hole – backplate design	□	Lever handle model	□	Material/Finish
0	PC – oval	1	RONDO H1.1	1	Silver/EV1 look
1	PC – square	2	RONDO H1.2	3	PVD brass
2	CHRC – oval	7	BELCANTO-Panik H3.1	7	White (RAL 9016)
3	CHRC – square	8	BELCANTO-Panik H3.2	8	Matt stainless steel
4	Without PC-hole – oval	A	OFFICE H4.2		
5	Without PC-hole – square	C	LEGATO H5.2		
6	Without rosette escutcheon – oval	E	TREMOLO H6.2		
7	Without rosette escutcheon – square	G	DIRIGENT H7.2		

Active leaf: lever handle set with long backplates

Order number*

B-72040-□□-0-□

□	Cylinder hole – backplate design	□	Lever handle model	□	Material/Finish
4	Without PC-hole – round	1	RONDO H1.1	1	Silver/EV1 look
5	Without PC-hole – square	2	RONDO H1.2	3	PVD brass
6	PC 92 mm – round	7	BELCANTO-Panik H3.1	7	White (RAL 9016)
7	PC 92 mm – square	8	BELCANTO-Panik H3.2	8	Matt stainless steel
8	Swiss RC 94 mm – round	A	OFFICE H4.2		
9	Swiss RC 94 mm – square	C	LEGATO H5.2		
		E	TREMOLO H6.2		
		G	DIRIGENT H7.2		

Accessories: spindles and screws see from page 482 – **more information** about the lever sets from page 12

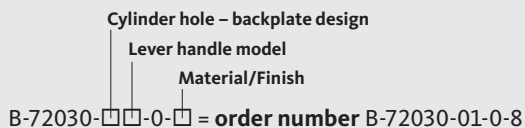
*Ordering example

Active leaf: lever handle set with rosettes = B-72030-□□-0-□

Cylinder hole – backplate design = PC – oval = 0 [refer to table]

Lever handle model = RONDO H1.1 = 1 [refer to table]

Material/Finish = matt stainless steel = 8 [refer to table]



Combination RPES 100

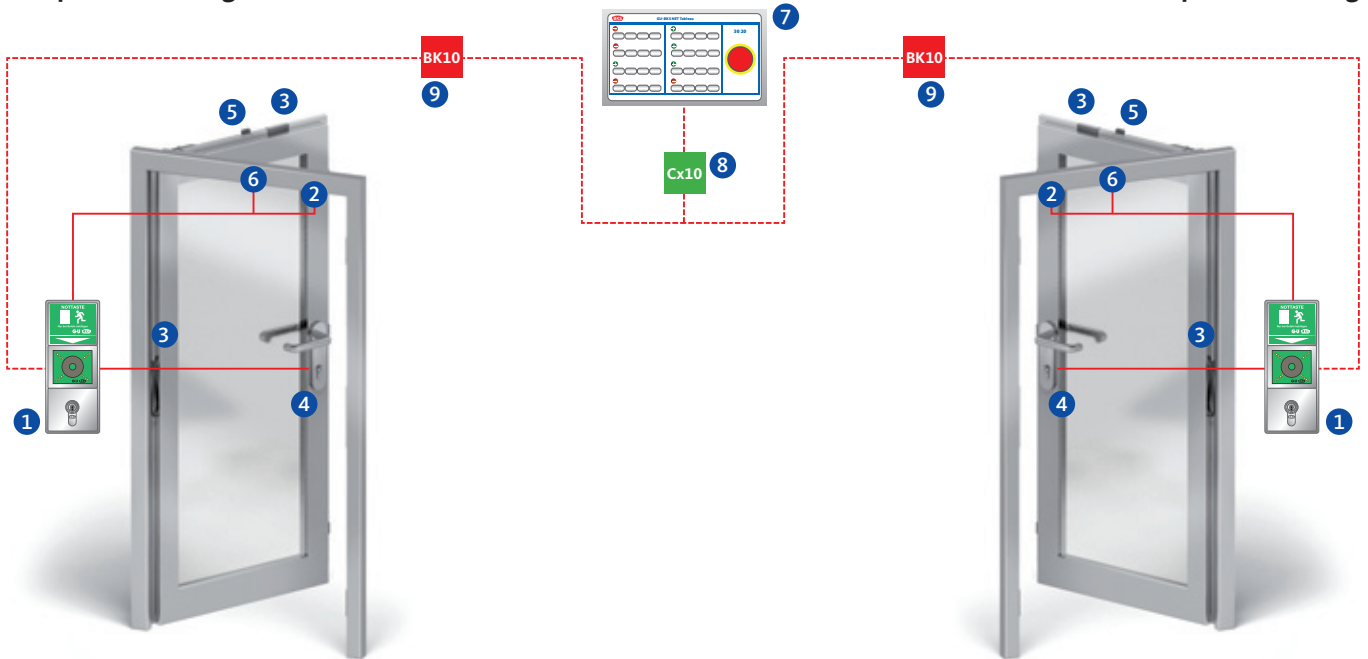
Narrow stile doors, panic function, single-leaf, SECURITY



Escape door locking

Centralised control and visualisation

Escape door locking



Monitoring contacts

Product	Cylinder cam monitoring	Latch monitoring	Deadbolt monitoring	Follower monitoring	Electrically coupled exterior lever handle	Combinable with electric strike	With A-opener (motor)
6-38611-xx-x	-	-	-	-	-	-	■

Escape door locking

No.	Product	Description	See page
1	B 5580 09xx	Escape door terminal set with integral power supply unit	488
2	B 5469 0010	Door contact	499
3	6-xxxxx-xx-x-x	Cable link	450
4	B 5490 xxxx	Connecting cable for EK lock or lock monitoring device	453
5	B 5495 0010	Latch lock	496
6	B 5465 xxxx	Electric escape door strike	496

Centralised control and visualisation

No.	Product	Description	See page
7	B 5580 0611	BKS-NET panel with pre-installed software, licence included, for max. 8 doors (without collective display)	500
8	B 5580 0421	CU10 building bus coupler (USB interface)	505
9	B 5580 0411	BK10 in-wall bus interface (without frame/cover)	505

Door closers

For detailed order information please refer to our order catalogue for door closers.

Combination RPE 120

Narrow stile doors, panic function, single-leaf



Inside



Outside

Functional description

Inside

The door can be opened by the lever handle at any time (panic function). With series 18, the door is locked with the key. With series 19, the door locks automatically without a key.
– Panic function E

Outside

The door can only be unlocked with the key. With series 18, the door is locked with the key. With series 19, the door locks automatically without a key.

Possible applications

- Emergency exits to EN 179 in areas not accessible to the public
- Suitable for fire and smoke protection doors
- As the fixed knob or push/pull handle is on the outside, access from the outside is only possible using the key
- Optional combination with electric access control and/or escape door security components (see the following pages)

Recommendation

- Doors on transformer stations and boiler rooms
- Elevator systems
- Underground car parks
- Entrance doors for warehouses and office buildings
- Entrance to apartment buildings and multiple-family dwellings

Combination RPE 120

Narrow stile doors, panic function, single-leaf



Active leaf:

- ① = Panic lock
- ② = Striker



Active leaf						
No.	Product	Backset	Panic function E Faceplate 24 x 3 x 270 mm Non-handed	U-faceplate 24 x 6 x 2 x 268 mm Non-handed	Additional PC/Swiss RC versions see page	
1	1826	35	B-18260-01-U-8	B-18260-18-U-8	294	
		40	B-18260-02-U-8	B-18260-41-U-8	294	
		45	B-18260-03-U-8	B-18260-22-U-8	294	
		Product	Backset	Panic function E Faceplate 24 x 3 x 270 mm Non-handed	U-faceplate 24 x 6 x 2 x 268 mm Non-handed	Additional PC/Swiss RC versions see page
	1916	35	B-19160-00-U-8	B-19160-13-U-8	368	
		40	B-19160-01-U-8	B-19160-14-U-8	368	
		45	B-19160-02-U-8	B-19160-15-U-8	368	
	1916 with latch holdback	35	B-19160-37-U-8	B-19160-43-U-8	368	
		40	B-19160-38-U-8	B-19160-44-U-8	368	
		45	B-19160-39-U-8	B-19160-45-U-8	368	
		Product	Backset	Panic function E Faceplate 24 x 3 x 245 mm DIN LH	DIN RH	Additional PC/Swiss RC versions see page
	1316	35	B 1316 0243	B 1316 0243	B 1316 0244	258
		40	B 1316 0245	B 1316 0245	B 1316 0246	258
		45	B 1316 0247	B 1316 0247	B 1316 0248	258

Frame						
Striker						
No.	Product			See page	Product	See page
2	Flat striker	Non-handed	B-90000-04-0-8 (series 18)	420	B-90000-00-0-8 (series 19)	420
		DIN LH	B-90000-58-L-8	421	B-90000-52-L-8	422
	DIN RH	B-90000-58-R-8	B-90000-52-R-8			

Combination RPE 120

Narrow stile doors, panic function, single-leaf



Inside



Outside

Active leaf: entrance set with rosettes

Order number*		Knob			
B-72330-□□-0-□		K1.1 round knob			
B-72530-□□-0-□		K2.1 ball knob			
□	Cylinder hole – backplate design	□	Lever handle model	□	Material/Finish
0	PC – oval	1	RONDO H1.1	1	Silver/EV1 look
1	PC – square	2	RONDO H1.2	3	PVD brass
2	CHRC – oval	7	BELCANTO-Panik H3.1	7	White (RAL 9016)
3	CHRC – square	8	BELCANTO-Panik H3.2	8	Matt stainless steel
4	Without PC-hole – oval	A	OFFICE H4.2		
5	Without PC-hole – square	C	LEGATO H5.2		
6	Without rosette escutcheon – oval	E	TREMOLO H6.2		
7	Without rosette escutcheon – square	G	DIRIGENT H7.2		

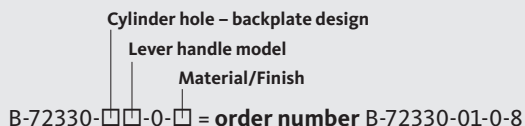
Active leaf: entrance set with long backplates

Order number*		Knob			
B-72340-□□-0-□		K1.1 round knob			
B-72540-□□-0-□		K2.1 ball knob			
□	Cylinder hole – backplate design	□	Lever handle model	□	Material/Finish
4	Without PC-hole – round	1	RONDO H1.1	1	Silver/EV1 look
5	Without PC-hole – square	2	RONDO H1.2	3	PVD brass
6	PC 92 mm – round	7	BELCANTO-Panik H3.1	7	White (RAL 9016)
7	PC 92 mm – square	8	BELCANTO-Panik H3.2	8	Matt stainless steel
8	Swiss RC 94 mm – round	A	OFFICE H4.2		
9	Swiss RC 94 mm – square	C	LEGATO H5.2		
		E	TREMOLO H6.2		
		G	DIRIGENT H7.2		

Accessories: spindles and screws see from page 482 – **more information** about the lever sets from page 12

*Ordering example

Active leaf: entrance set with rosettes = B-72330-□□-0-□
 Cylinder hole – backplate design = PC – oval = 0 [refer to table]
 Lever handle model = RONDO H1.1 = 1 [refer to table]
 Material/Finish = matt stainless steel = 8 [refer to table]



Combination RPE 120

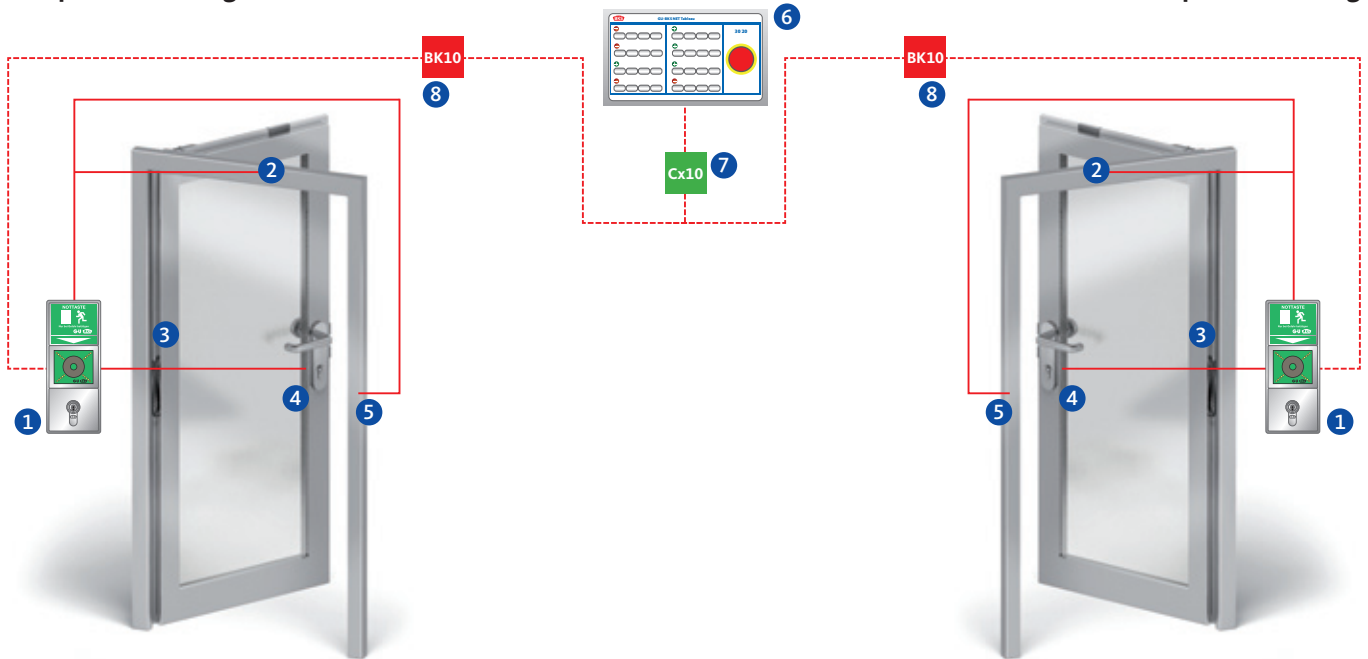
Narrow stile doors, panic function, single-leaf



Escape door locking

Centralised control and visualisation

Escape door locking



Monitoring contacts

Product	Cylinder cam monitoring	Latch monitoring	Deadbolt monitoring	Follower monitoring	Electrically coupled exterior lever handle	Combinable with electric strike
1826	■	■	■	■	-	■
1916	-	■	-	-	-	-
1926 EVP	■	-	-	-	-	-

Escape door locking

No.	Product	Description	See page
1	B 5580 09xx	Escape door terminal set with integral power supply unit	488
2	B 5469 0010	Door contact	499
3	6-xxxx-xx-x-x	Cable link	450
4	B 5490 xxxx	Connecting cable for EK lock or lock monitoring device	453
5	B 5465 040x	Electric escape door strike	496

Centralised control and visualisation

No.	Product	Description	See page
6	B 5580 0611	BKS-NET panel with pre-installed software, licence included, for max. 8 doors (without collective display)	500
7	B 5580 0421	CU10 building bus coupler (USB interface)	505
8	B 5580 0411	BK10 in-wall bus interface (without frame/cover)	505

Door closers

For detailed order information please refer to our order catalogue for door closers.

Combination RPE 210

Narrow stile doors, panic function, single-leaf



Inside



Outside

Functional description

Inside

The door can be opened by the lever handle at any time (panic function). Locking is done by key.

– Panic function P

Outside

The door can only be unlocked with the key. Locking is done by key.

Possible applications

- Emergency exits to EN 179 in areas not accessible to the public
- As the fixed knob or push/pull handle is on the outside, access from the outside is only possible using the key
- Optional combination with electric access control and/or escape door security components (see the following pages)

Recommendation

- Doors on transformer stations and boiler rooms
- Elevator systems
- Underground car parks
- Entrance doors for warehouses and office buildings
- Entrance to apartment buildings and multiple-family dwellings

Combination RPE 210

Narrow stile doors, panic function, single-leaf



Active leaf:

- ① = Panic lock
- ② = Striker



Active leaf				
No.	Product	Backset	Panic function P Faceplate 24 x 3 x 270 mm Non-handed	Additional PC/Swiss RC versions see page
1	1848	35	B-18480-02-0-8	330
		40	B-18480-03-0-8	330
		45	B-18480-04-0-8	330

Frame				
Striker				
No.	Product			See page
2	Flat striker	Non-handed	B-90000-02-0-8	421

Combination RPE 210

Narrow stile doors, panic function, single-leaf



Inside



Outside

Active leaf: entrance set with rosettes

Order number*		Knob			
B-72330-□□-0-□		K1.1 round knob			
B-72530-□□-0-□		K2.1 ball knob			
□	Cylinder hole – backplate design	□	Lever handle model	□	Material/Finish
0	PC – oval	1	RONDO H1.1	1	Silver/EV1 look
1	PC – square	2	RONDO H1.2	3	PVD brass
2	CHRC – oval	7	BELCANTO-Panik H3.1	7	White (RAL 9016)
3	CHRC – square	8	BELCANTO-Panik H3.2	8	Matt stainless steel
4	Without PC-hole – oval	A	OFFICE H4.2		
5	Without PC-hole – square	C	LEGATO H5.2		
6	Without rosette escutcheon – oval	E	TREMOLO H6.2		
7	Without rosette escutcheon – square	G	DIRIGENT H7.2		

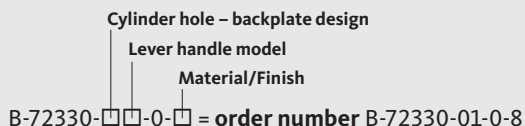
Active leaf: entrance set with long backplates

Order number*		Knob			
B-72340-□□-0-□		K1.1 round knob			
B-72540-□□-0-□		K2.1 ball knob			
□	Cylinder hole – backplate design	□	Lever handle model	□	Material/Finish
4	Without PC-hole – round	1	RONDO H1.1	1	Silver/EV1 look
5	Without PC-hole – square	2	RONDO H1.2	3	PVD brass
6	PC 92 mm – round	7	BELCANTO-Panik H3.1	7	White (RAL 9016)
7	PC 92 mm – square	8	BELCANTO-Panik H3.2	8	Matt stainless steel
8	Swiss RC 94 mm – round	A	OFFICE H4.2		
9	Swiss RC 94 mm – square	C	LEGATO H5.2		
		E	TREMOLO H6.2		
		G	DIRIGENT H7.2		

Accessories: spindles and screws see from page 482 – **more information** about the lever sets from page 12

*Ordering example

Active leaf: entrance set with rosettes = B-72330-□□-0-□
 Cylinder hole – backplate design = PC – oval = 0 [refer to table]
 Lever handle model = RONDO H1.1 = 1 [refer to table]
 Material/Finish = matt stainless steel = 8 [refer to table]



Combination RPE 210

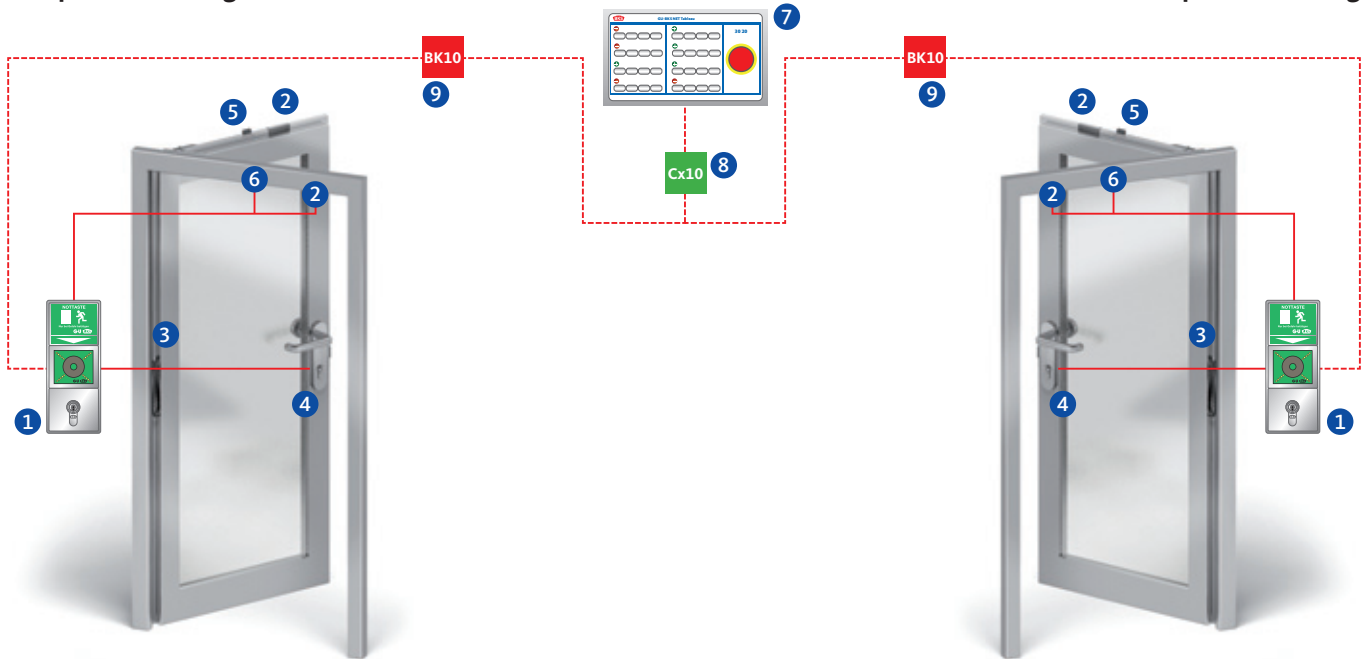
Narrow stile doors, panic function, single-leaf



Escape door locking

Centralised control and visualisation

Escape door locking



Monitoring contacts

Product	Cylinder cam monitoring	Latch monitoring	Deadbolt monitoring	Follower monitoring	Electrically coupled exterior lever handle	Combinable with electric strike
1848	■	-	■	■	-	-

Escape door locking

No.	Product	Description	See page
1	B 5580 09xx	Escape door terminal set with integral power supply unit	488
2	B 5469 0010	Door contact	499
3	6-xxxx-xx-x-x	Cable link	450
4	B 5490 xxxx	Connecting cable for EK lock or lock monitoring device	453
5	B 5495 0010	Latch lock	496
6	B 5465 xxxx	Electric escape door strike	496

Centralised control and visualisation

No.	Product	Description	See page
7	B 5580 0611	BKS-NET panel with pre-installed software, licence included, for max. 8 doors (without collective display)	500
8	B 5580 0421	CU10 building bus coupler (USB interface)	505
9	B 5580 0411	BK10 in-wall bus interface (without frame/cover)	505

Door closers

For detailed order information please refer to our order catalogue for door closers.

Combination RPEO 420

Narrow stile doors, panic function, single-leaf, top-locking



Inside



Outside



Functional description

Inside

The door can be opened by the lever handle at any time (panic function). With series 18, the door is locked with the key. With series 19, the door locks automatically without a key.
– Panic function E

Outside

The door can only be unlocked with the key.
With series 18, the door is locked with the key.
With series 19, the door locks automatically without a key.

Possible applications

- Emergency exits to EN 179 in areas not accessible to the public
- Suitable for fire and smoke protection doors
- As the fixed knob or push/pull handle is on the outside, access from the outside is only possible using the key
- Suitable for very high entrance doors with a tendency to warp (only by agreement with the door fabricator and in compliance with approvals)
- Enhanced burglar protection and gasket pressure thanks to the additional top-locking feature
- Optional combination with electric access control and/or escape door security components (see the following pages)

Recommendation

- Doors on transformer stations and boiler rooms
- Elevator systems
- Underground car parks
- Entrance doors for warehouses and office buildings
- Entrance to apartment buildings and multiple-family dwellings

Combination RPEO 420

Narrow stile doors, panic function, single-leaf, top-locking



Active leaf:

- 1 = Panic lock with top-locking feature
- 2 = Spring-operated top latch
- 3 = Vertical rod
- 4 = Striker



Active leaf						
No.	Product	Backset	Panic function E Faceplate 24 x 3 x 270 mm Non-handed		Additional PC/Swiss RC versions see page	
1	1836	35	B-18360-02-U-8		310	
		40	B-18360-04-U-8		310	
		45	B-18360-06-U-8		310	
	1906 Self-locking	35	B-19060-00-U-8		356	
		40	B-19060-01-U-8		356	
		45	B-19060-02-U-8		356	
2	1795	35, 40, 45	B 1795 0001		411	
3	9006	35, 40, 45	Rod length	1385 mm	B 9006 0022	436
				1500 mm	B 9006 0013	436

Frame						
Striker						
No.	Product			See page	Product	See page
4	Flat striker	Non-handed	B-90000-04-0-8 (series 18)	420	B-90000-00-0-8 (series 19)	420
	Lipped striker	DIN LH	B-90000-58-L-8	421	B-90000-52-L-8	422
		DIN RH	B-90000-58-R-8		B-90000-52-R-8	
	Lipped striker for lock 1795	Non-handed	B 9000 0567	426		

Combination RPEO 420

Narrow stile doors, panic function, single-leaf, top-locking



Inside



Outside

Active leaf: entrance set with rosettes

Order number*		Knob			
B-72330-□□-0-□		K1.1 round knob			
B-72530-□□-0-□		K2.1 ball knob			
□	Cylinder hole – backplate design	□	Lever handle model	□	Material/Finish
0	PC – oval	1	RONDO H1.1	1	Silver/EV1 look
1	PC – square	2	RONDO H1.2	3	PVD brass
2	CHRC – oval	7	BELCANTO-Panik H3.1	7	White (RAL 9016)
3	CHRC – square	8	BELCANTO-Panik H3.2	8	Matt stainless steel
4	Without PC-hole – oval	A	OFFICE H4.2		
5	Without PC-hole – square	C	LEGATO H5.2		
6	Without rosette escutcheon – oval	E	TREMOLO H6.2		
7	Without rosette escutcheon – square	G	DIRIGENT H7.2		

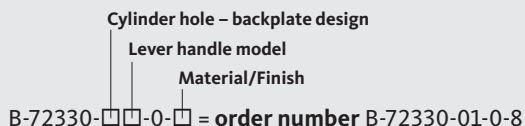
Active leaf: entrance set with long backplates

Order number*		Knob			
B-72340-□□-0-□		K1.1 round knob			
B-72540-□□-0-□		K2.1 ball knob			
□	Cylinder hole – backplate design	□	Lever handle model	□	Material/Finish
4	Without PC-hole – round	1	RONDO H1.1	1	Silver/EV1 look
5	Without PC-hole – square	2	RONDO H1.2	3	PVD brass
6	PC 92 mm – round	7	BELCANTO-Panik H3.1	7	White (RAL 9016)
7	PC 92 mm – square	8	BELCANTO-Panik H3.2	8	Matt stainless steel
8	Swiss RC 94 mm – round	A	OFFICE H4.2		
9	Swiss RC 94 mm – square	C	LEGATO H5.2		
		E	TREMOLO H6.2		
		G	DIRIGENT H7.2		

Accessories: spindles and screws see from page 482 – **more information** about the lever sets from page 12

*Ordering example

Active leaf: entrance set with rosettes = B-72330-□□-0-□
 Cylinder hole – backplate design = PC – oval = 0 [refer to table]
 Lever handle model = RONDO H1.1 = 1 [refer to table]
 Material/Finish = matt stainless steel = 8 [refer to table]



Combination RPEO 420

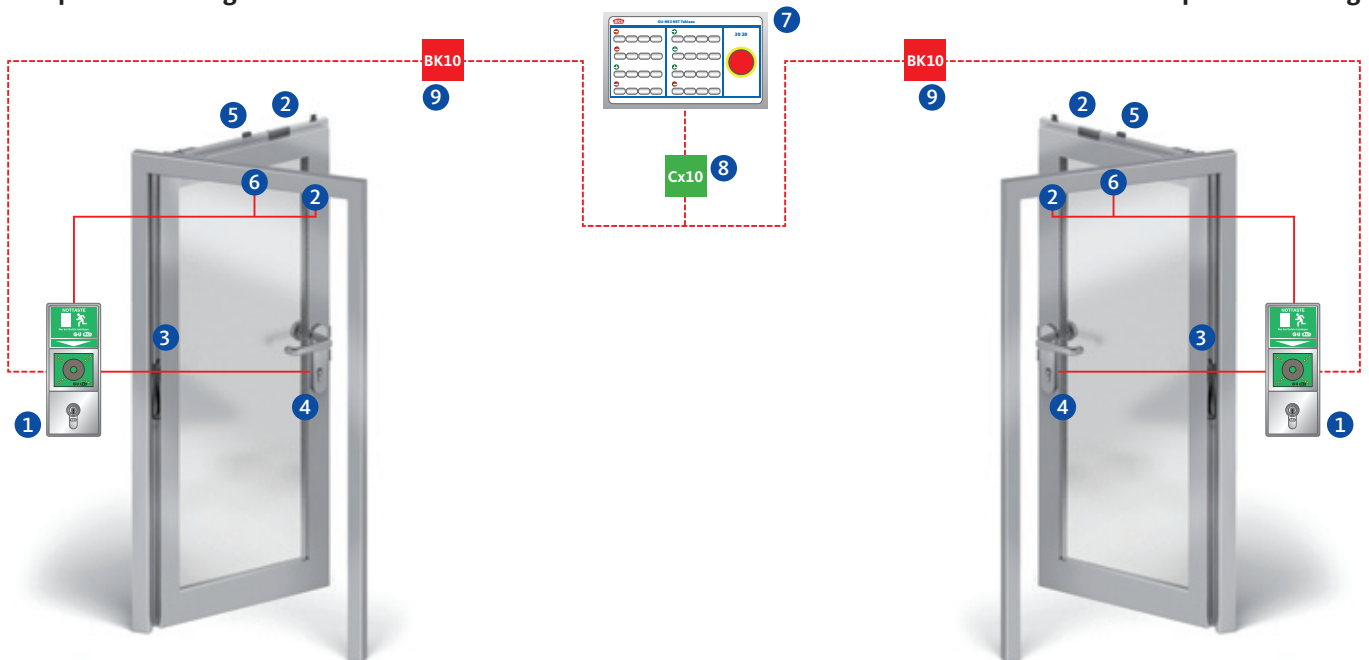
Narrow stile doors, panic function, single-leaf, top-locking



Escape door locking

Centralised control and visualisation

Escape door locking



Monitoring contacts

Product	Cylinder cam monitoring	Latch monitoring	Deadbolt monitoring	Follower monitoring	Electrically coupled exterior lever handle	Combinable with electric strike
1836	■	■	■	■	–	■
1906	–	■	–	–	–	–

Escape door locking

No.	Product	Description	See page
1	B 5580 09xx	Escape door terminal set with integral power supply unit	488
2	B 5469 0010	Door contact	499
3	6-xxxxx-xx-x-x	Cable link	450
4	B 5490 xxxx	Connecting cable for EK lock or lock monitoring device	453
5	B 5495 0010	Latch lock	496
6	B 5465 xxxx	Electric escape door strike	496

Centralised control and visualisation

No.	Product	Description	See page
7	B 5580 0611	BKS-NET panel with pre-installed software, licence included, for max. 8 doors (without collective display)	500
8	B 5580 0421	CU10 building bus coupler (USB interface)	505
9	B 5580 0411	BK10 in-wall bus interface (without frame/cover)	505

Door closers

For detailed order information please refer to our order catalogue for door closers.

Combination RPES 120

Narrow stile doors, panic function, single-leaf, SECURY



Inside



Outside

Functional description

Inside

The door can be opened by the lever handle at any time (panic function). With a SECURY lock, the door is automatically locked without having to use the key.

– Panic function E

Outside

The door can only be unlocked with the key. With a SECURY lock, the door is automatically locked without having to use the key.

Possible applications

- Emergency exits to EN 179 in areas not accessible to the public
- Suitable for fire and smoke protection doors
- As the fixed knob or push/pull handle is on the outside, access from the outside is only possible using the key
- Suitable for very high entrance doors with a tendency to warp (only by agreement with the door fabricator and in compliance with approvals)
- Automatic multi-point locking
- Enhanced burglar protection and gasket pressure thanks to the additional locking
- Especially suitable in combination with an electric A-opener for use with intercoms on entrance doors (remote opening) and automatic swing-door drives (barrier-free)
- Optional combination with electric access control and/or escape door security components (see the following pages)

Recommendation

- Doors on transformer stations and boiler rooms
- Elevator systems
- Underground car parks
- Entrance doors for warehouses and office buildings
- Entrance to apartment buildings and multiple-family dwellings

Combination RPES 120

Narrow stile doors, panic function, single-leaf, SECURY



Active leaf:

- ① = SECURY panic lock
- ② = Striker



Active leaf					
No.	Product	Backset	Panic function E Faceplate 24 x 3 x 1750 mm		Additional PC/Swiss RC versions see page
			DIN LH	DIN RH	
1	SECURY 1916	35	6-38613-11-L-8	6-38613-11-R-8	396
		40	6-38613-12-L-8	6-38613-12-R-8	396
		45	6-38613-01-L-8	6-38613-01-R-8	396

Frame				
Striker				
No.	Product			See page
2	Lipped striker	Non-handed	B 9000 0911	428
	Striker	Non-handed	9-43501-xx-0-8	427

Combination RPES 120

Narrow stile doors, panic function, single-leaf, SECURY



Inside



Outside

Active leaf: entrance set with rosettes

Order number*		Knob			
B-72330-□□-0-□		K1.1 round knob			
B-72530-□□-0-□		K2.1 ball knob			
□	Cylinder hole – backplate design	□	Lever handle model	□	Material/Finish
0	PC – oval	1	RONDO H1.1	1	Silver/EV1 look
1	PC – square	2	RONDO H1.2	3	PVD brass
2	CHRC – oval	7	BELCANTO-Panik H3.1	7	White (RAL 9016)
3	CHRC – square	8	BELCANTO-Panik H3.2	8	Matt stainless steel
4	Without PC-hole – oval	A	OFFICE H4.2		
5	Without PC-hole – square	C	LEGATO H5.2		
6	Without rosette escutcheon – oval	E	TREMOLO H6.2		
7	Without rosette escutcheon – square	G	DIRIGENT H7.2		

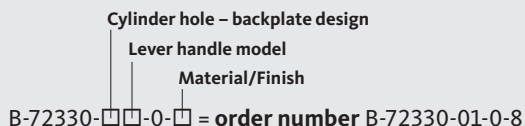
Active leaf: entrance set with long backplates

Order number*		Knob			
B-72340-□□-0-□		K1.1 round knob			
B-72540-□□-0-□		K2.1 ball knob			
□	Cylinder hole – backplate design	□	Lever handle model	□	Material/Finish
4	Without PC-hole – round	1	RONDO H1.1	1	Silver/EV1 look
5	Without PC-hole – square	2	RONDO H1.2	3	PVD brass
6	PC 92 mm – round	7	BELCANTO-Panik H3.1	7	White (RAL 9016)
7	PC 92 mm – square	8	BELCANTO-Panik H3.2	8	Matt stainless steel
8	Swiss RC 94 mm – round	A	OFFICE H4.2		
9	Swiss RC 94 mm – square	C	LEGATO H5.2		
		E	TREMOLO H6.2		
		G	DIRIGENT H7.2		

Accessories: spindles and screws see from page 482 – **more information** about the lever sets from page 12

*Ordering example

Active leaf: entrance set with rosettes = B-72330-□□-0-□
 Cylinder hole – backplate design = PC – oval = 0 [refer to table]
 Lever handle model = RONDO H1.1 = 1 [refer to table]
 Material/Finish = matt stainless steel = 8 [refer to table]



Combination RPES 120

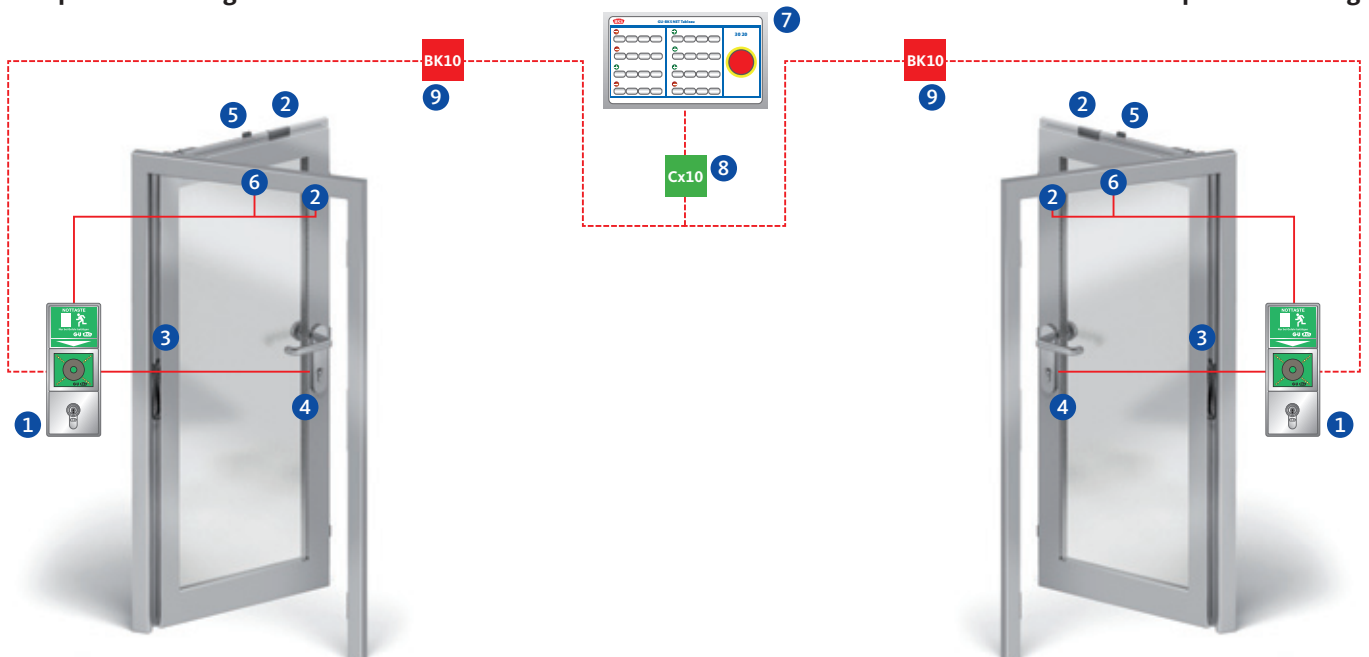
Narrow stile doors, panic function, single-leaf, SECURY



Escape door locking

Centralised control and visualisation

Escape door locking



Monitoring contacts

Product	Cylinder cam monitoring	Latch monitoring	Deadbolt monitoring	Follower monitoring	Electrically coupled exterior lever handle	Combinable with electric strike	With A-opener (motor)
6-38613-xx-x	■	■	-	■	-	-	■

Escape door locking

No.	Product	Description	See page
1	B 5580 09xx	Escape door terminal set with integral power supply unit	488
2	B 5469 0010	Door contact	499
3	6-xxxxx-xx-x-x	Cable link	450
4	B 5490 xxxx	Connecting cable for EK lock or lock monitoring device	453
5	B 5495 0010	Latch lock	496
6	B 5465 xxxx	Electric escape door strike	496

Centralised control and visualisation

No.	Product	Description	See page
7	B 5580 0611	BKS-NET panel with pre-installed software, licence included, for max. 8 doors (without collective display)	500
8	B 5580 0421	CU10 building bus coupler (USB interface)	505
9	B 5580 0411	BK10 in-wall bus interface (without frame/cover)	505

Door closers

For detailed order information please refer to our order catalogue for door closers.

Combination RPE 105

Narrow stile doors, panic function, single-leaf



Inside



Outside



Functional description

Inside

The door can be opened by the push bar at any time (panic function). With series 18, the door is locked with the key. With series 19, the door locks automatically without a key.

- Panic function B
- Panic function C
- Panic function D (not with series 19)

Outside

The door leaf is opened using the key and lever handle. With series 18, the door is locked with the key. With series 19, the door locks automatically without a key.

Possible applications

- Escape doors to EN 1125 in public facilities
- Suitable for fire and smoke protection doors
- As the lever handle is on the outside, the door can be used as a connecting door from both sides depending on the particular panic function
- Optional combination with electric access control and/or escape door security components (see the following pages)

Recommendation

- Administrative and office buildings
- Homes for the elderly and residential homes
- Secondary entrance doors
- Main entrance doors to kindergartens, schools, hotels

Combination RPE 105

Narrow stile doors, panic function, single-leaf



Active leaf:

① = Panic lock

② = Striker



Active leaf						
No.	Product	Backset	Panic function B Faceplate 24 x 3 x 270 mm Non-handed	Panic function C Faceplate 24 x 3 x 270 mm Non-handed	Panic function D Faceplate 24 x 3 x 270 mm Non-handed	Additional PC/Swiss RC versions see page
1	1820 B 1822 C 1824 D	35	B-18200-01-L-8	B-18220-01-L-8	B-18240-01-L-8	282 / 286 / 290
		40	B-18200-02-L-8	B-18220-02-L-8	B-18240-02-L-8	282 / 286 / 290
		45	B-18200-03-L-8	B-18220-03-L-8	B-18240-03-L-8	282 / 286 / 290
	Product	Backset	Latch lever function Faceplate 24 x 3 x 270 mm Non-handed	U-faceplate 24 x 6 x 2 x 268 mm Non-handed		Additional PC/Swiss RC versions see page
	1970 Electrically coupled	35	B-19700-00-U-8	B-19700-11-U-8		380
		40	B-19700-02-U-8	B-19700-13-U-8		380
		45	B-19700-04-U-8	B-19700-14-U-8		380
	Product	Backset	Panic function B Faceplate 24 x 3 x 270 mm Non-handed	U-faceplate 24 x 6 x 2 x 268 mm Non-handed	Panic function C Faceplate 24 x 3 x 270 mm Non-handed	Additional PC/Swiss RC versions see page
	1910 Self-locking	35	B-19100-00-U-8	B-19100-10-U-8	-	360
		40	B-19100-01-U-8	B-19100-11-U-8	-	360
		45	B-19100-02-U-8	B-19100-12-U-8	-	360
	1912 Self-locking	35	-	-	B-19120-00-U-8	364
40		-	-	B-19120-01-U-8	364	
45		-	-	B-19120-02-U-8	364	

Frame						
Striker						
No.	Product			See page	Product	See page
2	Flat striker	Non-handed	B-90000-04-0-8 (series 18)	420	B-90000-00-0-8 (series 19)	420
	Lipped striker	DIN LH	B-90000-58-L-8	421	B-90000-52-L-8	422
		DIN RH	B-90000-58-R-8		B-90000-52-R-8	

Combination RPE 105

Narrow stile doors, panic function, single-leaf



Inside



Outside

Active leaf: half lever set with rosettes

Order number*			
B-72130-□□-0-□			
□ Cylinder hole – backplate design	□ Lever handle model	□ Material/Finish	
0 PC – oval	1 RONDO H1.1	1	Silver/EV1 look
1 PC – square	2 RONDO H1.2	3	PVD brass
2 CHRC – oval	7 BELCANTO-Panik H3.1	7	White (RAL 9016)
3 CHRC – square	8 BELCANTO-Panik H3.2	8	Matt stainless steel
4 Without PC-hole – oval	A OFFICE H4.2		
5 Without PC-hole – square	C LEGATO H5.2		
6 Without rosette escutcheon – oval	E TREMOLO H6.2		
7 Without rosette escutcheon – square	G DIRIGENT H7.2		

Active leaf: half lever set with long backplate

Order number*			
B-72140-□□-0-□			
□ Cylinder hole – backplate design	□ Lever handle model	□ Material/Finish	
4 Without PC-hole – round	1 RONDO H1.1	1	Silver/EV1 look
5 Without PC-hole – square	2 RONDO H1.2	3	PVD brass
6 PC 92 mm – round	7 BELCANTO-Panik H3.1	7	White (RAL 9016)
7 PC 92 mm – square	8 BELCANTO-Panik H3.2	8	Matt stainless steel
8 Swiss RC 94 mm – round	A OFFICE H4.2		
9 Swiss RC 94 mm – square	C LEGATO H5.2		
	E TREMOLO H6.2		
	G DIRIGENT H7.2		

Active leaf: panic exit device according to EN 1125

Locking component	Cylinder hole	Aluminium F1	Matt stainless steel	See page
Push bar	PC 92 mm	B-74000-30-0-1N	B-74000-30-0-8	462
	Swiss RC 94 mm	B-74000-40-0-1N	B-74000-40-0-8	462
Crossbar	Length	Aluminium F1	Matt stainless steel	See page
	1150 mm	B 7100 4274	B 7100 4204	462
Locking component	Length	Aluminium F1	Matt stainless steel	See page
Touch bar	1158 mm	B-74410-02-0-1	B-74410-02-0-8	458

Accessories: spindles and screws see from page 482 – **more information** about the lever sets from page 12

***Ordering example**

Active leaf: half lever set with rosettes = B-72130-□□-0-□

Cylinder hole – backplate design = PC – oval = 0 [refer to table]

Lever handle model = RONDO H1.1 = 1 [refer to table]

Material/Finish = matt stainless steel = 8 [refer to table]

Cylinder hole – backplate design
 Lever handle model
 Material/Finish
 B-72130-□□-0-□ = **order number** B-72130-01-0-8

Combination RPE 105

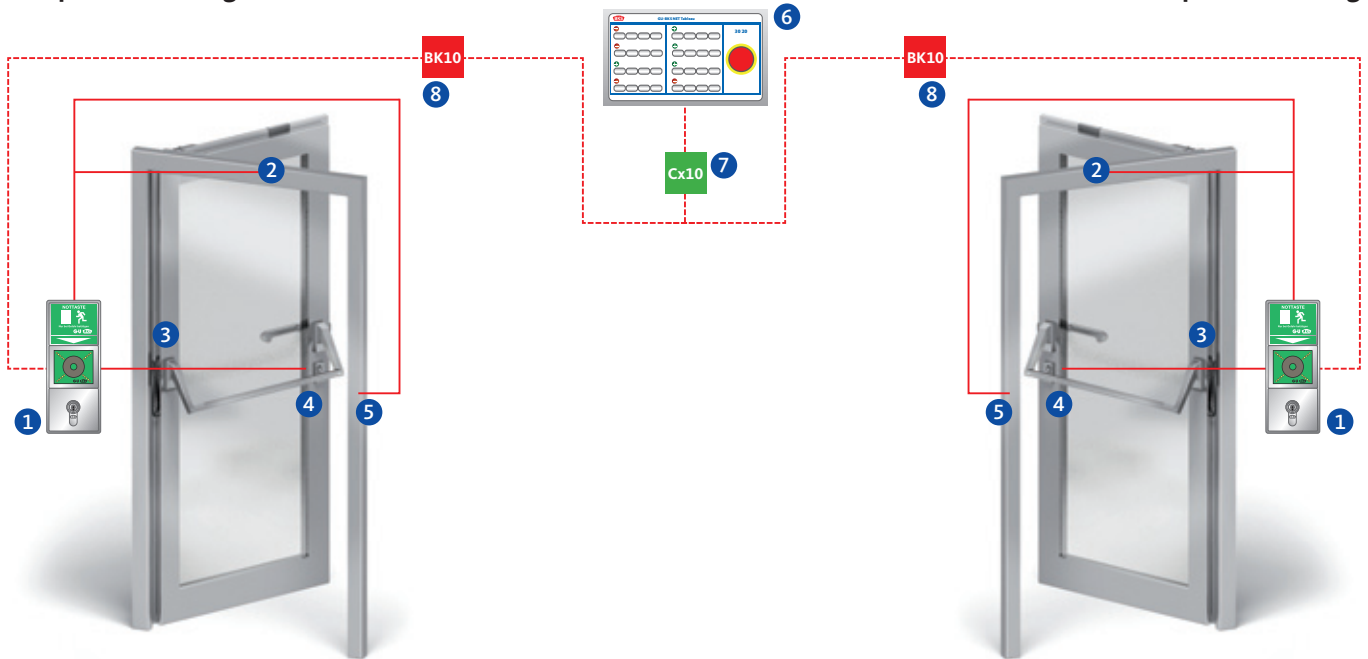
Narrow stile doors, panic function, single-leaf



Escape door locking

Centralised control and visualisation

Escape door locking



Monitoring contacts

Product	Cylinder cam monitoring	Latch monitoring	Deadbolt monitoring	Follower monitoring	Electrically coupled exterior lever handle	Combinable with electric strike
1820/1822/1824	■	■	■	■	-	■
1910	■	■	-	■	-	-
1912	■	■	-	■	-	-
1970	Including	Including	-	Including	■	-
1920 EVP	■	-	-	-	-	-

Escape door locking

No.	Product	Description	See page
1	B 5580 09xx	Escape door terminal set with integral power supply unit	488
2	B 5469 0010	Door contact	499
3	6-xxxx-xx-x-x	Cable link	450
4	B 5490 xxxx	Connecting cable for EK lock or lock monitoring device	453
5	B 5465 040x	Electric escape door strike	496

Centralised control and visualisation

No.	Product	Description	See page
6	B 5580 0611	BKS-NET panel with pre-installed software, licence included, for max. 8 doors (without collective display)	500
7	B 5580 0421	CU10 building bus coupler (USB interface)	505
8	B 5580 0411	BK10 in-wall bus interface (without frame/cover)	505

Door closers

For detailed order information please refer to our order catalogue for door closers.

Combination RPEO 405

Narrow stile doors, panic function, single-leaf, top-locking



Inside



Outside

Functional description

Inside

The door can be opened by the push bar at any time (panic function). With series 18, the door is locked with the key. With series 19, the door locks automatically without a key.

- Panic function B
- Panic function C
- Panic function D (not with series 19)

Outside

The door leaf is opened using the key and lever handle. With series 18, the door is locked with the key. With series 19, the door locks automatically without a key.

Possible applications

- Escape doors to EN 1125 in public facilities
- Suitable for fire and smoke protection doors
- As the lever handle is on the outside, the door can be used as a connecting door from both sides depending on the particular panic function
- Suitable for very high entrance doors with a tendency to warp (only by agreement with the door fabricator and in compliance with approvals)
- Enhanced burglar protection and gasket pressure thanks to the additional top-locking feature
- Optional combination with electric access control and/or escape door security components (see the following pages)

Recommendation

- Administrative and office buildings
- Homes for the elderly and residential homes
- Secondary entrance doors
- Main entrance doors to kindergartens, schools, hotels

Combination RPEO 405

Narrow stile doors, panic function, single-leaf, top-locking



Active leaf:

- ① = Panic lock with top-locking feature
- ② = Spring-operated top latch
- ③ = Vertical rod/spring-loaded vertical rod
- ④ = Striker



Active leaf									
No.	Product	Backset	Panic function B Faceplate 24 x 3 x 270 mm Non-handed		Panic function C Faceplate 24 x 3 x 270 mm (320 mm) Non-handed		Panic function D Faceplate 24 x 3 x 270 mm Non-handed	Additional PC/Swiss RC versions see page	
1	1830 B 1832 C 1834 D	35	B-18300-01-L-8		B-18320-01-L-8		B-18340-01-L-8	298 / 302 / 306	
		40	B-18300-02-L-8		B-18320-02-L-8		B-18340-02-L-8	298 / 302 / 306	
		45	B-18300-03-L-8		B-18320-03-L-8		B-18340-03-L-8	298 / 302 / 306	
	Product	Backset	Latch lever function Faceplate 24 x 3 x 320 mm Non-handed		U-faceplate 24 x 6 x 2 x 318 mm Non-handed			Additional PC/Swiss RC versions see page	
	1980 Electrically coupled	35	B-19800-00-U-8		B-19800-06-U-8			384	
		40	B-19800-02-U-8		-			384	
		45	B-19800-03-U-8		-			384	
	Product	Backset	Panic function B Faceplate 24 x 3 x 270 mm Non-handed		Panic function C Faceplate 24 x 3 x 270 mm Non-handed		U-faceplate 24 x 6 x 2 x 268 mm Non-handed		Additional PC/Swiss RC versions see page
	1900 B 1902 C Self-locking	35	B-19000-00-U-8		B-19000-06-U-8		B-19020-06-U-8		348 / 352
		40	B-19000-01-U-8		B-19000-07-U-8		B-19020-07-U-8		348 / 352
45		B-19000-02-U-8		B-19000-08-U-8		B-19020-08-U-8		348 / 352	
2	1795	35, 40, 45	B 1795 0001					411	
3	9006 for series 18/19	35, 40, 45	Rod length	1385 mm		B 9006 0022		436	
				1500 mm		B 9006 0013		436	
	9036 for series 19 EK	35, 40, 45	For door heights up to:	2250 mm		B 9036 0001		437	
				2500 mm		B 9036 0002		437	

Frame							
Striker							
No.	Product			See page	Product	See page	
4	Flat striker	Non-handed		B-90000-04-0-8 (series 18)	420	B-90000-00-0-8 (series 19)	420
	Lipped striker	DIN LH		B-90000-58-L-8	421	B-90000-52-L-8	422
		DIN RH		B-90000-58-R-8		B-90000-52-R-8	
	Lipped striker for lock 1795	Non-handed		B 9000 0567	426		

Combination RPEO 405

Narrow stile doors, panic function, single-leaf, top-locking



Inside



Outside

Active leaf: half lever set with rosettes

Order number*			
B-72130-□□-0-□			
□ Cylinder hole – backplate design	□ Lever handle model	□ Material/Finish	
0 PC – oval	1 RONDO H1.1	1	Silver/EV1 look
1 PC – square	2 RONDO H1.2	3	PVD brass
2 CHRC – oval	7 BELCANTO-Panik H3.1	7	White (RAL 9016)
3 CHRC – square	8 BELCANTO-Panik H3.2	8	Matt stainless steel
4 Without PC-hole – oval	A OFFICE H4.2		
5 Without PC-hole – square	C LEGATO H5.2		
6 Without rosette escutcheon – oval	E TREMOLO H6.2		
7 Without rosette escutcheon – square	G DIRIGENT H7.2		

Active leaf: half lever set with long backplate

Order number*			
B-72140-□□-0-□			
□ Cylinder hole – backplate design	□ Lever handle model	□ Material/Finish	
4 Without PC-hole – round	1 RONDO H1.1	1	Silver/EV1 look
5 Without PC-hole – square	2 RONDO H1.2	3	PVD brass
6 PC 92 mm – round	7 BELCANTO-Panik H3.1	7	White (RAL 9016)
7 PC 92 mm – square	8 BELCANTO-Panik H3.2	8	Matt stainless steel
8 Swiss RC 94 mm – round	A OFFICE H4.2		
9 Swiss RC 94 mm – square	C LEGATO H5.2		
	E TREMOLO H6.2		
	G DIRIGENT H7.2		

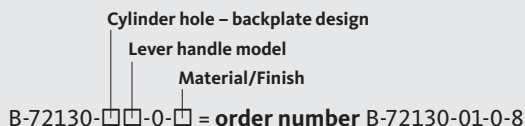
Active leaf: panic exit device according to EN 1125

Locking component	Cylinder hole	Aluminium F1	Matt stainless steel	See page
Push bar	PC 92 mm	B-74000-30-0-1N	B-74000-30-0-8	462
	Swiss RC 94 mm	B-74000-40-0-1N	B-74000-40-0-8	462
Crossbar	Length	Aluminium F1	Matt stainless steel	See page
	1150 mm	B 7100 4274	B 7100 4204	462
Locking component	Length	Aluminium F1	Matt stainless steel	See page
Touch bar	1158 mm	B-74410-02-0-1	B-74410-02-0-8	458

Accessories: spindles and screws see from page 482 – **more information** about the lever sets from page 12

*Ordering example

Active leaf: half lever set with rosettes = B-72130-□□-0-□
 Cylinder hole – backplate design = PC – oval = 0 [refer to table]
 Lever handle model = RONDO H1.1 = 1 [refer to table]
 Material/Finish = matt stainless steel = 8 [refer to table]



Combination RPEO 405

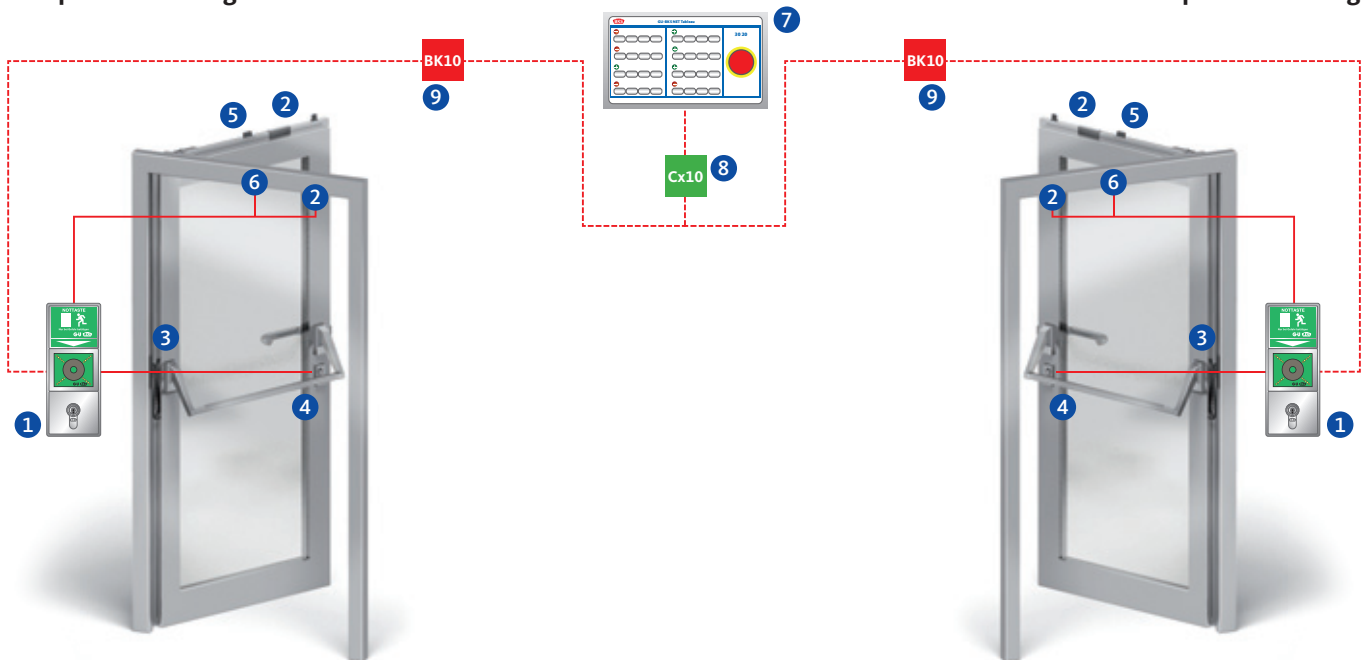
Narrow stile doors, panic function, single-leaf, top-locking



Escape door locking

Centralised control and visualisation

Escape door locking



Monitoring contacts

Product	Cylinder cam monitoring	Latch monitoring	Deadbolt monitoring	Follower monitoring	Electrically coupled exterior lever handle	Combinable with electric strike
1830/1832/1834	■	■	■	■	–	■
1980	Including	Including	–	Including	■	–
1900/1902	■	■	–	■	–	–

Escape door locking

No.	Product	Description	See page
1	B 5580 09xx	Escape door terminal set with integral power supply unit	488
2	B 5469 0010	Door contact	499
3	6-xxxx-xx-x-x	Cable link	450
4	B 5490 xxxx	Connecting cable for EK lock or lock monitoring device	453
5	B 5495 0010	Latch lock	496
6	B 5465 xxxx	Electric escape door strike	496

Centralised control and visualisation

No.	Product	Description	See page
7	B 5580 0611	BKS-NET panel with pre-installed software, licence included, for max. 8 doors (without collective display)	500
8	B 5580 0421	CU10 building bus coupler (USB interface)	505
9	B 5580 0411	BK10 in-wall bus interface (without frame/cover)	505

Door closers

For detailed order information please refer to our order catalogue for door closers.

Combination RPES 105

Narrow stile doors, panic function, single-leaf, SECURY



Inside



Outside



Functional description

Inside

The door can be opened by the push bar at any time (panic function). With a SECURY lock, the door locks automatically without having to use the key.

- Panic function B
- Panic function C

Outside

The door leaf is opened using the key and lever handle. With a SECURY lock, the door locks automatically without having to use the key.

Possible applications

- Escape doors to EN 1125 in public facilities
- Suitable for fire and smoke protection doors
- As the lever handle is on the outside, the door can be used as a connecting door from both sides depending on the particular panic function
- Suitable for very high entrance doors with a tendency to warp (only by agreement with the door fabricator and in compliance with approvals)
- Automatic multi-point locking
- Enhanced burglar protection and gasket pressure thanks to the additional locking
- Especially suitable in combination with an electric A-opener for use with intercoms on entrance doors (remote opening) and with automatic swing door drives (barrier-free)
- Optional combination with electric access control and/or escape door security components (see the following pages)

Recommendation

- Administrative and office buildings
- Homes for the elderly and residential homes
- Secondary entrance doors
- Main entrance doors to kindergartens, schools, hotels

Combination RPES 105

Narrow stile doors, panic function, single-leaf, SECURY



Active leaf:

- ① = SECURY panic lock
- ② = Striker



Active leaf					
No.	Product	Backset	Panic function B Faceplate 24 x 3 x 1750 mm		Additional PC/Swiss RC versions see page
			DIN LH	DIN RH	
1	SECURY 1910	35	6-38611-13-L-8	6-38611-13-R-8	392
		40	6-38611-14-L-8	6-38611-14-R-8	392
		45	6-38611-01-L-8	6-38611-01-R-8	392

Frame				
Striker				
No.	Product			See page
2	Lipped striker	Non-handed	B 9000 0911	428
	Striker	Non-handed	9-43501-xx-0-8	427

Combination RPES 105

Narrow stile doors, panic function, single-leaf, SECURY



Inside



Outside

Active leaf: half lever set with rosettes

Order number*			
B-72130-□□-0-□			
□ Cylinder hole – backplate design	□ Lever handle model	□ Material/Finish	
0 PC – oval	1 RONDO H1.1	1	Silver/EV1 look
1 PC – square	2 RONDO H1.2	3	PVD brass
2 CHRC – oval	7 BELCANTO-Panik H3.1	7	White (RAL 9016)
3 CHRC – square	8 BELCANTO-Panik H3.2	8	Matt stainless steel
4 Without PC-hole – oval	A OFFICE H4.2		
5 Without PC-hole – square	C LEGATO H5.2		
6 Without rosette escutcheon – oval	E TREMOLO H6.2		
7 Without rosette escutcheon – square	G DIRIGENT H7.2		

Active leaf: half lever set with long backplate

Order number*			
B-72140-□□-0-□			
□ Cylinder hole – backplate design	□ Lever handle model	□ Material/Finish	
4 Without PC-hole – round	1 RONDO H1.1	1	Silver/EV1 look
5 Without PC-hole – square	2 RONDO H1.2	3	PVD brass
6 PC 92 mm – round	7 BELCANTO-Panik H3.1	7	White (RAL 9016)
7 PC 92 mm – square	8 BELCANTO-Panik H3.2	8	Matt stainless steel
8 Swiss RC 94 mm – round	A OFFICE H4.2		
9 Swiss RC 94 mm – square	C LEGATO H5.2		
	E TREMOLO H6.2		
	G DIRIGENT H7.2		

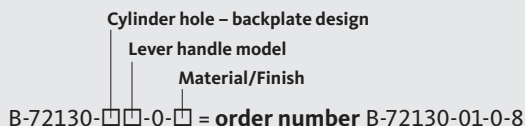
Active leaf: panic exit device according to EN 1125

Locking component	Cylinder hole	Aluminium F1	Matt stainless steel	See page
Push bar	PC 92 mm	B-74000-30-0-1N	B-74000-30-0-8	462
	Swiss RC 94 mm	B-74000-40-0-1N	B-74000-40-0-8	462
Crossbar	Length	Aluminium F1	Matt stainless steel	See page
	1150 mm	B 7100 4274	B 7100 4204	462
Locking component	Length	Aluminium F1	Matt stainless steel	See page
Touch bar	1158 mm	B-74410-02-0-1	B-74410-02-0-8	458

Accessories: spindles and screws see from page 482 – **more information** about the lever sets from page 12

*Ordering example

Active leaf: half lever set with rosettes = B-72130-□□-0-□
 Cylinder hole – backplate design = PC – oval = 0 [refer to table]
 Lever handle model = RONDO H1.1 = 1 [refer to table]
 Material/Finish = matt stainless steel = 8 [refer to table]



Combination RPES 105

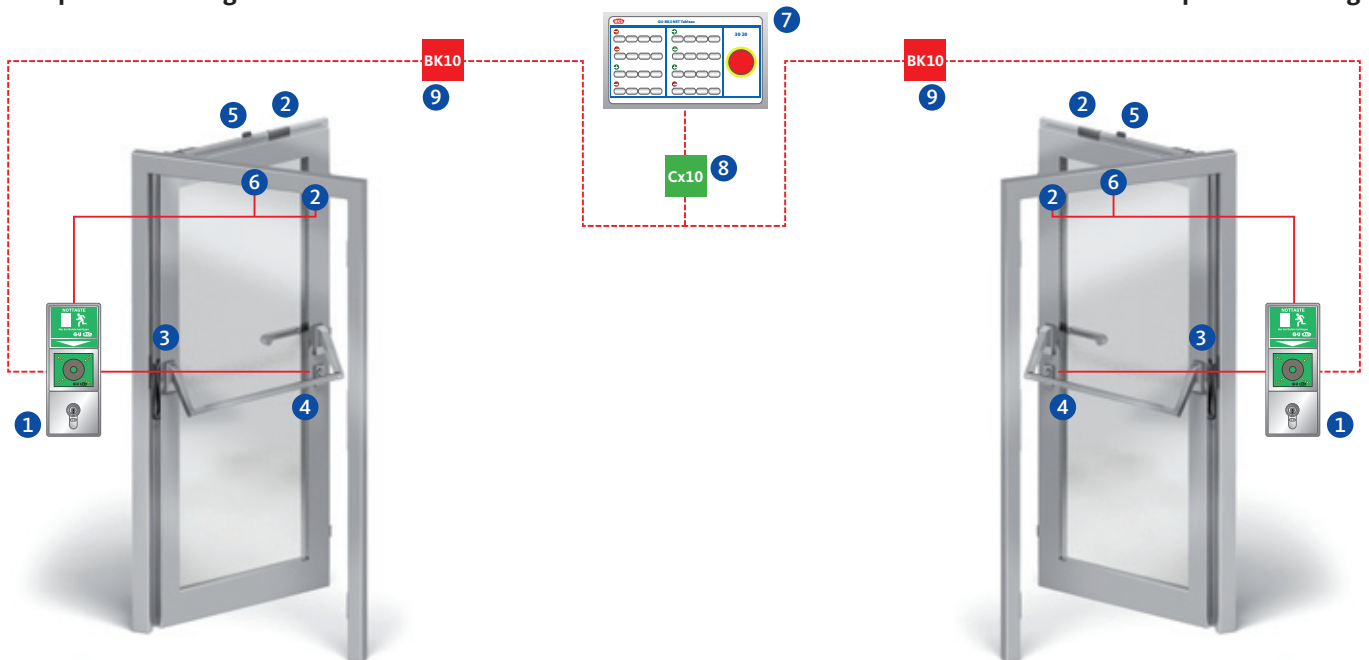
Narrow stile doors, panic function, single-leaf, SECURITY



Escape door locking

Centralised control and visualisation

Escape door locking



Monitoring contacts

Product	Cylinder cam monitoring	Latch monitoring	Deadbolt monitoring	Follower monitoring	Electrically coupled exterior lever handle	Combinable with electric strike	With A-opener (motor)
6-38611-xx-x	-	-	-	-	-	-	■

Escape door locking

No.	Product	Description	See page
1	B 5580 09xx	Escape door terminal set with integral power supply unit	488
2	B 5469 0010	Door contact	499
3	6-xxxxx-xx-x-x	Cable link	450
4	B 5490 xxxx	Connecting cable for EK lock or lock monitoring device	453
5	B 5495 0010	Latch lock	496
6	B 5465 xxxx	Electric escape door strike	496

Centralised control and visualisation

No.	Product	Description	See page
7	B 5580 0611	BKS-NET panel with pre-installed software, licence included, for max. 8 doors (without collective display)	500
8	B 5580 0421	CU10 building bus coupler (USB interface)	505
9	B 5580 0411	BK10 in-wall bus interface (without frame/cover)	505

Door closers

For detailed order information please refer to our order catalogue for door closers.

Combination RPE 125

Narrow stile doors, panic function, single-leaf



Inside



Outside



Functional description

Inside

The door can be opened by the push bar at any time (panic function). With series 18, the door is locked with the key. With series 19, the door locks automatically without a key.
– Panic function E

Outside

The door can only be unlocked with the key.
With series 18, the door is locked with the key.
With series 19, the door locks automatically without a key.

Possible applications

- Escape doors to EN 1125 in public facilities
- Suitable for fire and smoke protection doors
- As the fixed knob or push/pull handle is on the outside, access from the outside is only possible using the key
- Optional combination with electric access control and/or escape door security components (see the following pages)

Recommendation

- Doors on transformer stations and boiler rooms
- Elevator systems
- Underground car parks
- Entrance doors for warehouses and office buildings
- Homes for the elderly and residential homes

Combination RPE 125

Narrow stile doors, panic function, single-leaf



Active leaf:

1 = Panic lock

2 = Striker



Active leaf						
No.	Product	Backset	Panic function E Faceplate 24 x 3 x 270 mm Non-handed	U-faceplate 24 x 6 x 2 x 268 mm Non-handed	Additional PC/Swiss RC versions see page	
1	1826	35	B-18260-01-U-8	B-18260-18-U-8	294	
		40	B-18260-02-U-8	B-18260-41-U-8	294	
		45	B-18260-03-U-8	B-18260-22-U-8	294	
		Product	Backset	Panic function E Faceplate 24 x 3 x 270 mm Non-handed	U-faceplate 24 x 6 x 2 x 268 mm Non-handed	Additional PC/Swiss RC versions see page
	1916	35	B-19160-00-U-8	B-19160-13-U-8	368	
		40	B-19160-01-U-8	B-19160-14-U-8	368	
		45	B-19160-02-U-8	B-19160-15-U-8	368	
	1916 with latch holdback	35	B-19160-37-U-8	B-19160-43-U-8	368	
		40	B-19160-38-U-8	B-19160-44-U-8	368	
		45	B-19160-39-U-8	B-19160-45-U-8	368	
		Product	Backset	Panic function E Faceplate 24 x 3 x 245 mm DIN LH	DIN RH	Additional PC/Swiss RC versions see page
	1316	35	B 1316 0243	B 1316 0243	B 1316 0244	258
		40	B 1316 0245	B 1316 0245	B 1316 0246	258
		45	B 1316 0247	B 1316 0247	B 1316 0248	258

Frame						
Striker						
No.	Product			See page	Product	See page
2	Flat striker	Non-handed	B-90000-04-0-8 (series 18)	420	B-90000-00-0-8 (series 19)	420
		DIN LH	B-90000-58-L-8	421	B-90000-52-L-8	422
	DIN RH	B-90000-58-R-8	B-90000-52-R-8			

Combination RPE 125

Narrow stile doors, panic function, single-leaf



Inside



Outside

Active leaf: half knob set with rosette

Order number*			
B-72630-□□-0-□			
□ Cylinder hole – backplate design	□ Knob model	□ Material/Finish	
0 PC – oval	0 K1.0 round knob	1	Silver/EV1 look
1 PC – square	1 K1.1 round knob	3	PVD brass
2 CHRC – oval	2 K2.0 ball knob	7	White (RAL 9016)
3 CHRC – square	3 K2.1 ball knob	8	Matt stainless steel
4 Without PC-hole – oval			
5 Without PC-hole – square			
6 Without rosette escutcheon – oval			
7 Without rosette escutcheon – square			

Active leaf: half knob set with long backplate

Order number*			
B-72640-□□-0-□			
□ Cylinder hole – backplate design	□ Knob model	□ Material/Finish	
4 Without PC-hole – round	0 K1.0 round knob	1	Silver/EV1 look
5 Without PC-hole – square	1 K1.1 round knob	3	PVD brass
6 PC 92 mm – round	2 K2.0 ball knob	7	White (RAL 9016)
7 PC 92 mm – square	3 K2.1 ball knob	8	Matt stainless steel
8 Swiss RC 94 mm – round			
9 Swiss RC 94 mm – square			

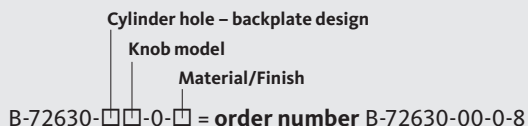
Active leaf: panic exit device according to EN 1125

Locking component	Cylinder hole	Aluminium F1	Matt stainless steel	See page
Push bar	PC 92 mm	B-74000-30-0-1N	B-74000-30-0-8	462
	Swiss RC 94 mm	B-74000-40-0-1N	B-74000-40-0-8	462
Crossbar	Length	Aluminium F1	Matt stainless steel	See page
	1150 mm	B 7100 4274	B 7100 4204	462
Locking component	Length	Aluminium F1	Matt stainless steel	See page
Touch bar	1158 mm	B-74410-02-0-1	B-74410-02-0-8	458

Accessories: spindles and screws see from page 482 – **more information** about the lever sets from page 12

*Ordering example

Active leaf: half knob set with rosette = B-72630-□□-0-□
 Cylinder hole – backplate design = PC – oval = 0 [refer to table]
 Knob model = round knob K1.0 = 0 [refer to table]
 Material/Finish = matt stainless steel = 8 [refer to table]



Combination RPE 125

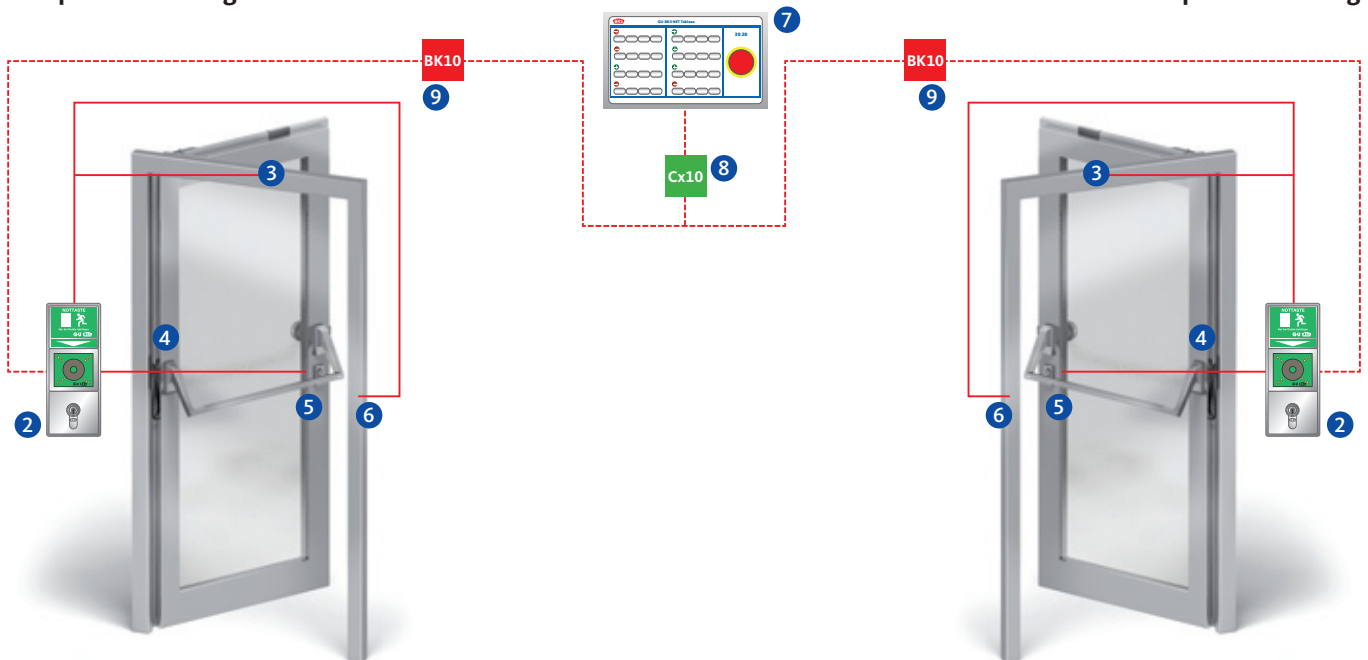
Narrow stile doors, panic function, single-leaf



Escape door locking

Centralised control and visualisation

Escape door locking



Monitoring contacts

Product	Cylinder cam monitoring	Latch monitoring	Deadbolt monitoring	Follower monitoring	Electrically coupled exterior lever handle	Combinable with electric strike
1826	■	■	■	■	–	■
1916	■	■	–	■	–	–
1926 EVP	■	–	–	–	–	–

Escape door locking

No.	Product	Description	See page
2	B 5580 09xx	Escape door terminal set with integral power supply unit	488
3	B 5469 0010	Door contact	499
4	6-xxxx-xx-x-x	Cable link	450
5	B 5490 xxxx	Connecting cable for EK lock or lock monitoring device	453
6	B 5465 040x	Electric escape door strike	448

Centralised control and visualisation

No.	Product	Description	See page
7	B 5580 0611	BKS-NET panel with pre-installed software, licence included, for max. 8 doors (without collective display)	500
8	B 5580 0421	CU10 building bus coupler (USB interface)	505
9	B 5580 0411	BK10 in-wall bus interface (without frame/cover)	505

Door closers

For detailed order information please refer to our order catalogue for door closers.

Combination RPEO 425

Narrow stile doors, panic function, single-leaf, top-locking



Inside



Outside

Functional description

Inside

The door can be opened by the push bar at any time (panic function). With series 18, the door is locked with the key. With series 19, the door locks automatically without a key.
– Panic function E

Outside

The door can only be unlocked with the key.
With series 18, the door is locked with the key.
With series 19, the door locks automatically without a key.

Possible applications

- Escape doors to EN 1125 in public facilities
- Suitable for fire and smoke protection doors
- As the fixed knob or push/pull handle is on the outside, access from the outside is only possible using the key
- Suitable for very high entrance doors with a tendency to warp (only by agreement with the door fabricator and in compliance with approvals)
- Enhanced burglar protection and gasket pressure thanks to the additional top-locking feature
- Optional combination with electric access control and/or escape door security components (see the following pages)

Recommendation

- Doors on transformer stations and boiler rooms
- Elevator systems
- Underground car parks
- Entrance doors for warehouses and office buildings
- Homes for the elderly and residential homes

Combination RPEO 425

Narrow stile doors, panic function, single-leaf, top-locking



Active leaf:

- 1 = Panic lock with top-locking feature
- 2 = Spring-operated top latch
- 3 = Vertical rod
- 4 = Striker



Active leaf						
No.	Product	Backset	Panic function E Faceplate 24 x 3 x 270 mm Non-handed			Additional PC/Swiss RC versions see page
1	1836	35	B-18360-02-U-8			310
		40	B-18360-04-U-8			310
		45	B-18360-06-U-8			310
	1906 Self-locking	Backset	Panic function E Faceplate 24 x 3 x 270 mm Non-handed	Panic function E U-faceplate 24 x 6 x 2 x 268 mm Non-handed		Additional PC/Swiss RC versions see page
		35	B-19060-00-U-8	B-19060-06-U-8		356
		40	B-19060-01-U-8	B-19060-07-U-8		356
	45	B-19060-02-U-8	B-19060-08-U-8		356	
2	1795	35, 40, 45	B 1795 0001			411
3	9006	35, 40, 45	Rod length	1385 mm	B 9006 0022	436
				1500 mm	B 9006 0013	436

Frame						
Striker						
No.	Product			See page	Product	See page
4	Flat striker	Non-handed	B-90000-04-0-8 (series 18)	420	B-90000-00-0-8 (series 19)	420
	Lipped striker	DIN LH	B-90000-58-L-8	421	B-90000-52-L-8	422
		DIN RH	B-90000-58-R-8		B-90000-52-R-8	
	Lipped striker for lock 1795	Non-handed	B 9000 0567	426		

Combination RPEO 425

Narrow stile doors, panic function, single-leaf, top-locking



Inside



Outside

Active leaf: half knob set with rosette

Order number*			
B-72630-□□-0-□			
□ Cylinder hole – backplate design	□ Knob model	□ Material/Finish	
0 PC – oval	0 K1.0 round knob	1	Silver/EV1 look
1 PC – square	1 K1.1 round knob	3	PVD brass
2 CHRC – oval	2 K2.0 ball knob	7	White (RAL 9016)
3 CHRC – square	3 K2.1 ball knob	8	Matt stainless steel
4 Without PC-hole – oval			
5 Without PC-hole – square			
6 Without rosette escutcheon – oval			
7 Without rosette escutcheon – square			

Active leaf: half knob set with long backplate

Order number*			
B-72640-□□-0-□			
□ Cylinder hole – backplate design	□ Knob model	□ Material/Finish	
4 Without PC-hole – round	0 K1.0 round knob	1	Silver/EV1 look
5 Without PC-hole – square	1 K1.1 round knob	3	PVD brass
6 PC 92 mm – round	2 K2.0 ball knob	7	White (RAL 9016)
7 PC 92 mm – square	3 K2.1 ball knob	8	Matt stainless steel
8 Swiss RC 94 mm – round			
9 Swiss RC 94 mm – square			

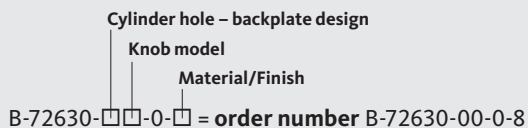
Active leaf: panic exit device according to EN 1125

Locking component	Cylinder hole	Aluminium F1	Matt stainless steel	See page
Push bar	PC 92 mm	B-74000-30-0-1N	B-74000-30-0-8	462
	Swiss RC 94 mm	B-74000-40-0-1N	B-74000-40-0-8	462
Crossbar	Length	Aluminium F1	Matt stainless steel	See page
	1150 mm	B 7100 4274	B 7100 4204	462
Locking component	Length	Aluminium F1	Matt stainless steel	See page
Touch bar	1158 mm	B-74410-02-0-1	B-74410-02-0-8	458

Accessories: spindles and screws see from page 482 – **more information** about the lever sets from page 12

*Ordering example

Active leaf: half knob set with rosette = B-72630-□□-0-□
 Cylinder hole – backplate design = PC – oval = 0 [refer to table]
 Knob model = round knob K1.0 = 0 [refer to table]
 Material/Finish = matt stainless steel = 8 [refer to table]



Combination RPEO 425

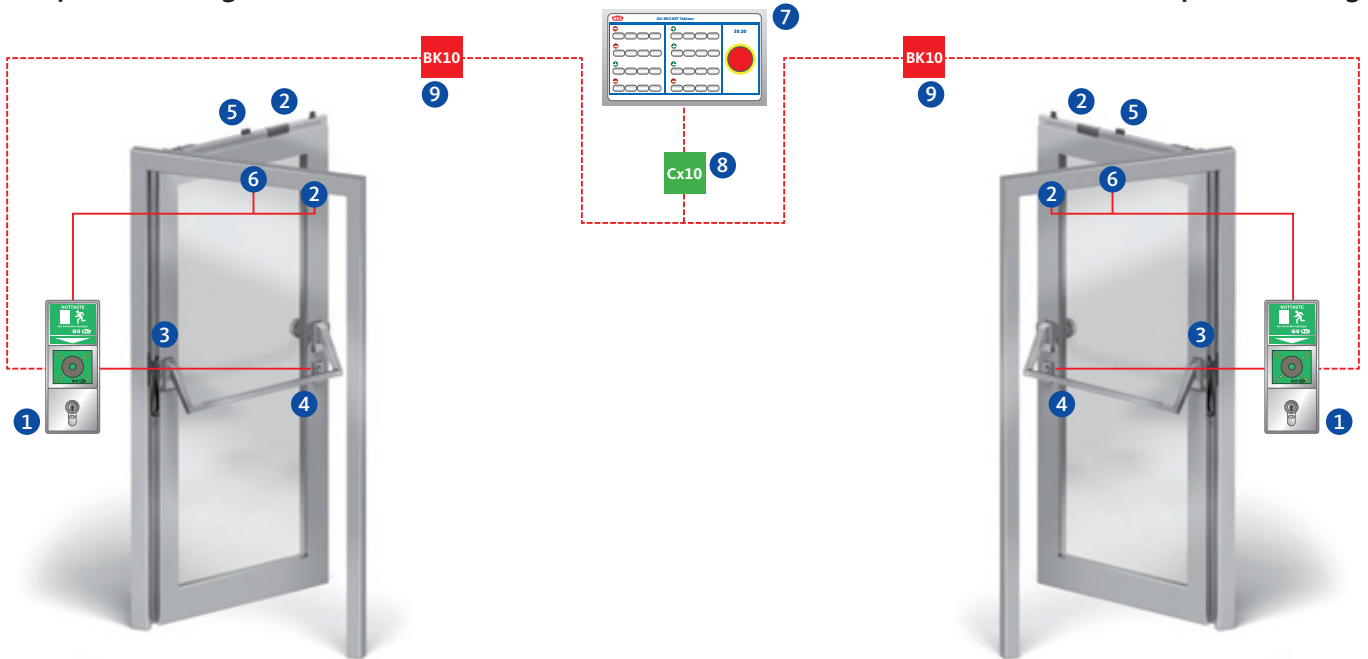
Narrow stile doors, panic function, single-leaf, top-locking



Escape door locking

Centralised control and visualisation

Escape door locking



Monitoring contacts

Product	Cylinder cam monitoring	Latch monitoring	Deadbolt monitoring	Follower monitoring	Electrically coupled exterior lever handle	Combinable with electric strike
1836	■	■	■	■	–	■
1906	■	■	–	■	–	–

Escape door locking

No.	Product	Description	See page
1	B 5580 09xx	Escape door terminal set with integral power supply unit	488
2	B 5469 0010	Door contact	499
3	6-xxxx-xx-x-x	Cable link	450
4	B 5490 xxxx	Connecting cable for EK lock or lock monitoring device	453
5	B 5495 0010	Latch lock	496
6	B 5465 xxxx	Electric escape door strike	496

Centralised control and visualisation

No.	Product	Description	See page
7	B 5580 0611	BKS-NET panel with pre-installed software, licence included, for max. 8 doors (without collective display)	500
8	B 5580 0421	CU10 building bus coupler (USB interface)	505
9	B 5580 0411	BK10 in-wall bus interface (without frame/cover)	505

Door closers

For detailed order information please refer to our order catalogue for door closers.

Combination RPES 125

Narrow stile doors, panic function, single-leaf, SECURY



Inside



Outside

Functional description

Inside

The door can be opened by the push bar at any time (panic function). With a SECURY lock, the door is automatically locked without having to use the key.

– Panic function E

Outside

The door can only be unlocked with the key. With a SECURY lock, the door is automatically locked without having to use the key.

Possible applications

- Escape doors to EN 1125 in public facilities
- Suitable for fire and smoke protection doors
- As the fixed knob or push/pull handle is on the outside, access from the outside is only possible using the key.
- Suitable for very high entrance doors with a tendency to warp (only by agreement with the door fabricator and in compliance with approvals)
- Automatic multi-point locking
- Enhanced burglar protection and gasket pressure thanks to the additional locking
- Especially suitable in combination with an electric A-opener for use with intercoms on entrance doors (remote opening) and automatic swing-door drives (barrier-free)
- Optional combination with electric access control and/or escape door security components (see the following pages)

Recommendation

- Doors on transformer stations and boiler rooms
- Elevator systems
- Underground car parks
- Entrance doors for warehouses and office buildings
- Homes for the elderly and residential homes

Combination RPES 125

Narrow stile doors, panic function, single-leaf, SECURY



Active leaf:

- ① = SECURY panic lock
- ② = Striker



Active leaf					
No.	Product	Backset	Panic function E Faceplate 24 x 3 x 1750 mm		Additional PC/Swiss RC versions see page
			DIN LH	DIN RH	
1	SECURY 1916	35	6-38613-11-L-8	6-38613-11-R-8	396
		40	6-38613-12-L-8	6-38613-12-R-8	396
		45	6-38613-01-L-8	6-38613-01-R-8	396

Frame				
Striker				
No.	Product			See page
2	Lipped striker	Non-handed	B 9000 0911	428
	Striker	Non-handed	9-43501-xx-0-8	427

Combination RPES 125

Narrow stile doors, panic function, single-leaf, SECURY



Inside



Outside

Active leaf: half knob set with rosette

Order number*			
B-72630-□□-0-□			
□ Cylinder hole – backplate design	□ Knob model	□ Material/Finish	
0 PC – oval	0 K1.0 round knob	1	Silver/EV1 look
1 PC – square	1 K1.1 round knob	3	PVD brass
2 CHRC – oval	2 K2.0 ball knob	7	White (RAL 9016)
3 CHRC – square	3 K2.1 ball knob	8	Matt stainless steel
4 Without PC-hole – oval			
5 Without PC-hole – square			
6 Without rosette escutcheon – oval			
7 Without rosette escutcheon – square			

Active leaf: half knob set with long backplate

Order number*			
B-72640-□□-0-□			
□ Cylinder hole – backplate design	□ Knob model	□ Material/Finish	
4 Without PC-hole – round	0 K1.0 round knob	1	Silver/EV1 look
5 Without PC-hole – square	1 K1.1 round knob	3	PVD brass
6 PC 92 mm – round	2 K2.0 ball knob	7	White (RAL 9016)
7 PC 92 mm – square	3 K2.1 ball knob	8	Matt stainless steel
8 Swiss RC 94 mm – round			
9 Swiss RC 94 mm – square			

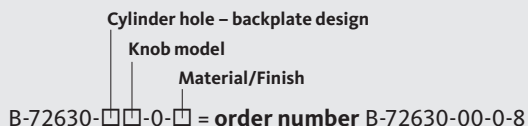
Active leaf: panic exit device according to EN 1125

Locking component	Cylinder hole	Aluminium F1	Matt stainless steel	See page
Push bar	PC 92 mm	B-74000-30-0-1N	B-74000-30-0-8	462
	Swiss RC 94 mm	B-74000-40-0-1N	B-74000-40-0-8	462
Crossbar	Length	Aluminium F1	Matt stainless steel	See page
	1150 mm	B 7100 4274	B 7100 4204	462
Locking component	Length	Aluminium F1	Matt stainless steel	See page
Touch bar	1158 mm	B-74410-02-0-1	B-74410-02-0-8	458

Accessories: spindles and screws see from page 482 – **more information** about the lever sets from page 12

*Ordering example

Active leaf: half knob set with rosette = B-72630-□□-0-□
 Cylinder hole – backplate design = PC – oval = 0 [refer to table]
 Knob model = round knob K1.0 = 0 [refer to table]
 Material/Finish = matt stainless steel = 8 [refer to table]



Combination RPES 125

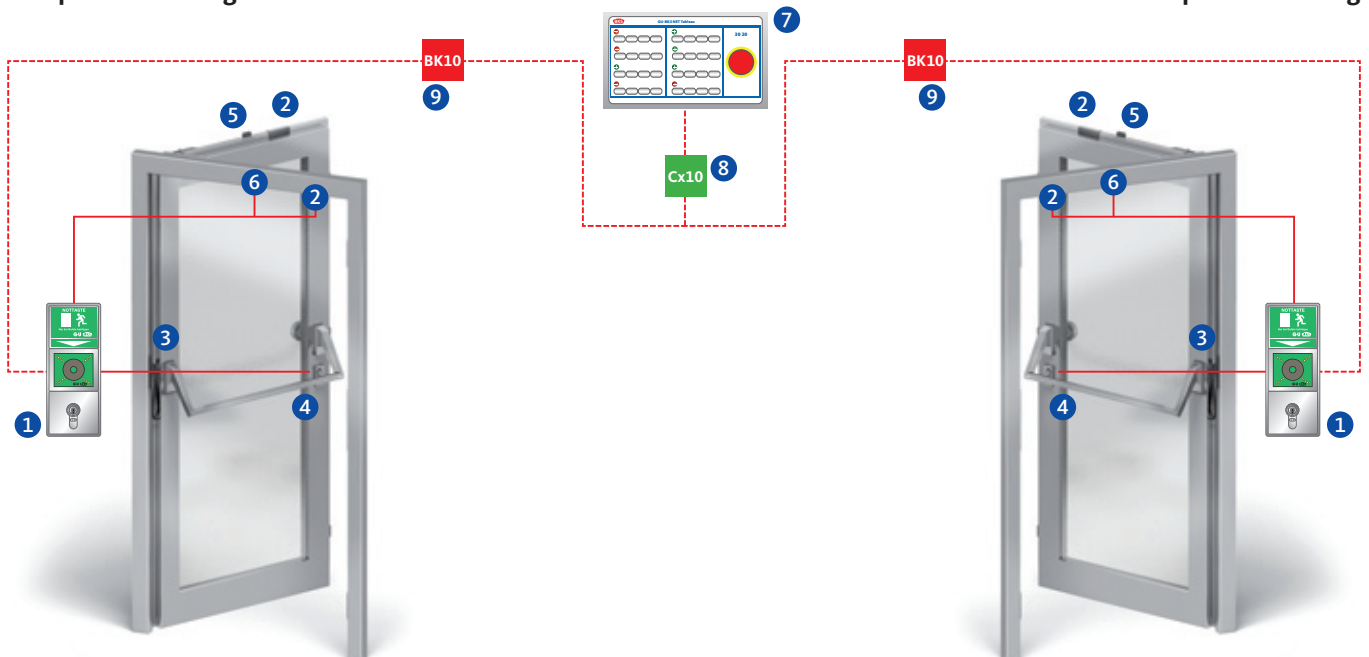
Narrow stile doors, panic function, single-leaf, SECURITY



Escape door locking

Centralised control and visualisation

Escape door locking



Monitoring contacts

Product	Cylinder cam monitoring	Latch monitoring	Deadbolt monitoring	Follower monitoring	Electrically coupled exterior lever handle	Combinable with electric strike	With A-opener (motor)
6-38613-xx-x	■	■	-	■	-	-	■

Escape door locking

No.	Product	Description	See page
1	B 5580 09xx	Escape door terminal set with integral power supply unit	488
2	B 5469 0010	Door contact	499
3	6-xxxx-xx-x-x	Cable link	450
4	B 5490 xxxx	Connecting cable for EK lock or lock monitoring device	453
5	B 5495 0010	Latch lock	496
6	B 5465 xxxx	Electric escape door strike	496

Centralised control and visualisation

No.	Product	Description	See page
7	B 5580 0611	BKS-NET panel with pre-installed software, licence included, for max. 8 doors (without collective display)	500
8	B 5580 0421	CU10 building bus coupler (USB interface)	505
9	B 5580 0411	BK10 in-wall bus interface (without frame/cover)	505

Door closers

For detailed order information please refer to our order catalogue for door closers.

Combination RPZA 110

Narrow stile doors, panic function, double-leaf, automatic locking of passive leaf



Inside

Outside



Functional description

Active leaf

Inside

The active leaf can be opened by the lever handle at any time (panic function). With series 18, the door is locked with the key. With series 19, the door locks automatically without a key.

Outside

The active leaf is opened using the key and lever handle. With series 18, the door is locked with the key. With series 19, the door locks automatically without a key.

- Panic function B
- Panic function C
- Panic function D (not with series 19)

Passive leaf

Inside

Active and passive leaf can be opened by the vertical lever at any time (panic function on both leaves). Upon closing, the passive leaf is locked automatically via the vertical rods. If the door is opened by the passive leaf, the carrier bar ensures that the active leaf is carried along far enough to activate the door-leaf coordinator, so the leaves can close in the appropriate sequence. This also guarantees that the two leaves cannot jam, not even with a small clearance. The closing sequence of the door is controlled by the door-leaf coordinator integrated in the door closer.

Possible applications

- Emergency exits to EN 179 in areas not accessible to the public
- Suitable for fire and smoke protection doors
- As the lever handle is on the outside, the door can be used as a connecting door from both sides depending on the particular panic function
- Optional combination with electric access control and/or escape door security components (see the following pages)

Recommendation

- Entrance doors to administrative and office buildings
- Homes for the elderly
- Service rooms
- Museums
- Airports
- Stadiums
- Administrative areas

Combination RPZA 110

Narrow stile doors, panic function, double-leaf, automatic locking of passive leaf



Active leaf:

1 = Panic lock



Passive leaf:

- 2 = Shoot-bolt lock
- 3 = Passive-leaf control lock
- 4 = Vertical rod
- 5 = Solid vertical rod
- 6 = Striker
- 7 = Floor striker
- 8 = Guide plate for vertical rod

Active leaf									
No.	Product	Backset	Panic function B Faceplate 24 x 3 x 270 mm Non-handed	Panic function C Faceplate 24 x 3 x 270 mm Non-handed	Panic function D Faceplate 24 x 3 x 270 mm Non-handed	Additional PC/Swiss RC versions see page			
1	1821 B 1823 C 1825 D	35	B-18210-01-L-8	B-18230-02-L-8	B-18250-01-L-8	284 / 288 / 292			
		40	B-18210-02-L-8	B-18230-03-L-8	B-18250-02-L-8	284 / 288 / 292			
		45	B-18210-03-L-8	B-18230-04-L-8	B-18250-03-L-8	284 / 288 / 292			
	Product	Backset	Latch lever function Faceplate 24 x 3 x 270 mm Non-handed		U-faceplate 24 x 6 x 2 x 268 mm Non-handed		Additional PC/Swiss RC versions see page		
			35	B-19710-00-U-8	B-19710-11-U-8		382		
			40	B-19710-02-U-8	B-19710-13-U-8		382		
	1971 Electrically coupled	Backset	45	B-19710-04-U-8	B-19710-14-U-8		382		
			Product	Backset	Panic function B Faceplate 24 x 3 x 270 mm Non-handed		U-faceplate 24 x 6 x 2 x 268 mm Non-handed	Panic function C Faceplate 24 x 3 x 270 mm Non-handed	Additional PC/Swiss RC versions see page
					35	B-19110-00-U-8	B-19110-10-U-8	B-19130-00-U-8	362 / 366
	40	B-19110-01-U-8			B-19110-11-U-8	B-19130-01-U-8	362 / 366		
	1911 B 1913 C	Backset	45	B-19110-02-U-8	B-19110-12-U-8	B-19130-02-U-8	362 / 366		

Passive leaf							
No.	Product	Backset	Faceplate 24 x 3 x 310 mm		Additional versions see page		
			DIN LH	DIN RH			
2	1793 prepared for electric strike	35	B 1793 6001	B 1793 6000	278		
		40	B 1793 6005	B 1793 6004	278		
		45	B 1793 6007	B 1793 6006	278		
	Product	Backset	Faceplate 24 x 3 x 270 mm Non-handed			Additional versions see page	
			35	B-18900-01-0-8	B-19900-01-0-8	336	388
			40	B-18900-02-0-8	B-19900-02-0-8	336	388
1890 for series 18	1990 for series 19	45	B-18900-03-0-8	B-19900-03-0-8	336	388	
3	1895	30-45	B 1895 0003		412		
4	9006	With end plug	B 9006 0013		436		
5	9006	Solid	B 9006 0004		436		
6	9000	For 1895	B 9000 0490		426		
7	9009/B-0028	-	B 9009 0001 or B-00280-20-0-8		438		
8	9019	-	B 9019 0001		439		

Combination type RPZA 110

Narrow stile doors, panic function, double-leaf, automatic locking of passive leaf



Inside



Outside

Active leaf: lever handle set with rosettes

Order number*			
B-72030-□□-0-□			
□ Cylinder hole – backplate design	□ Lever handle model	□ Material/Finish	
0 PC – oval	1 RONDO H1.1	1	Silver/EV1 look
1 PC – square	2 RONDO H1.2	3	PVD brass
2 CHRC – oval	7 BELCANTO-Panik H3.1	7	White (RAL 9016)
3 CHRC – square	8 BELCANTO-Panik H3.2	8	Matt stainless steel
4 Without PC-hole – oval	A OFFICE H4.2		
5 Without PC-hole – square	C LEGATO H5.2		
6 Without rosette escutcheon – oval	E TREMOLO H6.2		
7 Without rosette escutcheon – square	G DIRIGENT H7.2		

Active leaf: lever handle set with long backplates

Order number*			
B-72040-□□-0-□			
□ Cylinder hole – backplate design	□ Lever handle model	□ Material/Finish	
4 Without PC-hole – round	1 RONDO H1.1	1	Silver/EV1 look
5 Without PC-hole – square	2 RONDO H1.2	3	PVD brass
6 PC 92 mm – round	7 BELCANTO-Panik H3.1	7	White (RAL 9016)
7 PC 92 mm – square	8 BELCANTO-Panik H3.2	8	Matt stainless steel
8 Swiss RC 94 mm – round	A OFFICE H4.2		
9 Swiss RC 94 mm – square	C LEGATO H5.2		
	E TREMOLO H6.2		
	G DIRIGENT H7.2		

Passive leaf: vertical lever with rosette

Order number*			
B-72930-□□-0-□			
□ Cylinder hole – backplate design	□ Lever handle model	□ Material/Finish	
0 Without PC-hole – oval	1 RONDO H1.1	1	Silver/EV1 look
1 Without PC-hole – square	2 RONDO H1.2	3	PVD brass
	7 BELCANTO-Panik H3.1	7	White (RAL 9016)
	8 BELCANTO-Panik H3.2	8	Matt stainless steel
	A OFFICE H4.2		
	C LEGATO H5.2		
	E TREMOLO H6.2		
	G DIRIGENT H7.2		

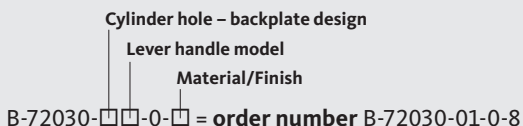
Passive leaf: vertical lever with long backplate

Order number*			
B-72940-□□-0-□			
□ Cylinder hole – backplate design	□ Lever handle model	□ Material/Finish	
0 Without PC-hole – round	0 RONDO H1.0	1	Silver/EV1 look
1 Without PC-hole – square	1 RONDO H1.1	3	PVD brass
	7 BELCANTO-Panik H3.1	7	White (RAL 9016)
	8 BELCANTO-Panik H3.2	8	Matt stainless steel
	A OFFICE H4.2		
	C LEGATO H5.2		
	E TREMOLO H6.2		
	G DIRIGENT H7.2		

Accessories: spindles and screws see from page 482 – **more information** about the lever sets from page 12

***Ordering example**

Active leaf: lever set with rosettes = B-72030-□□-0-□
 Cylinder hole – backplate design = PC – oval = 0 [refer to table]
 Lever handle model = RONDO H1.1 = 1 [refer to table]
 Material/Finish = matt stainless steel = 8 [refer to table]



B-72030-01-0-8 = order number B-72030-01-0-8

Combination type RPZA 110

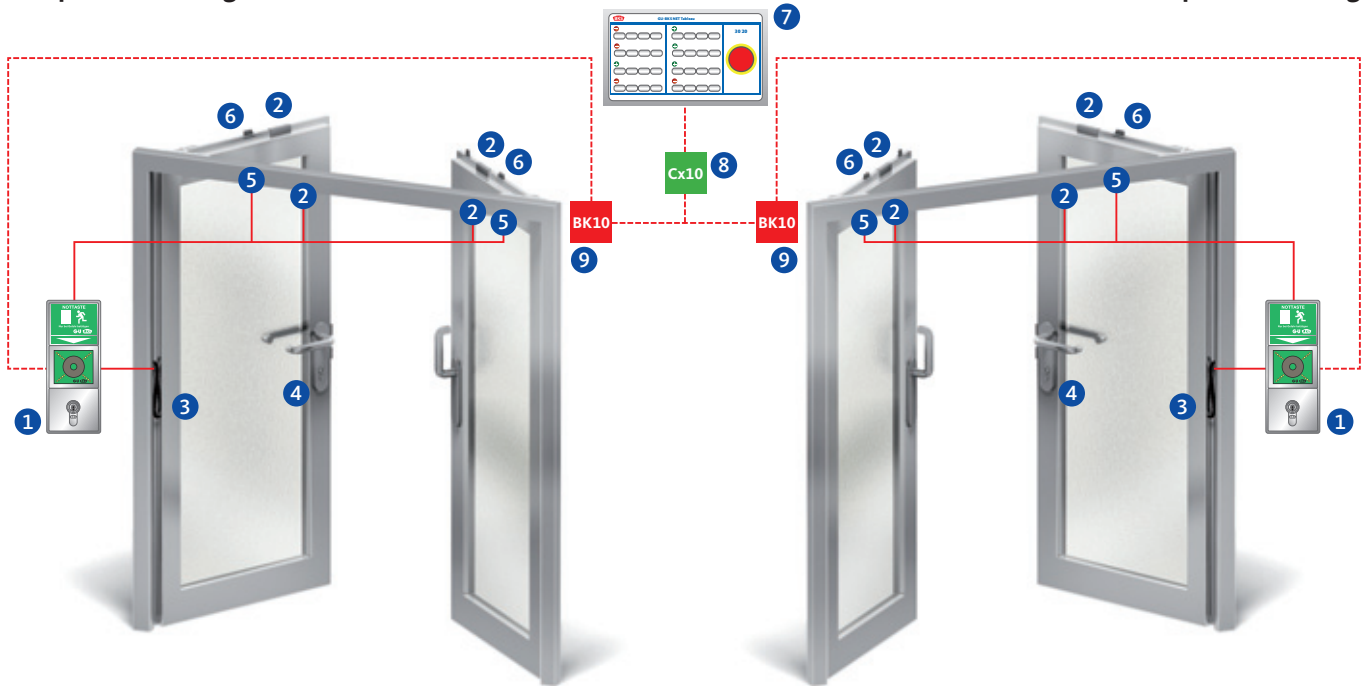
Narrow stile doors, panic function, double-leaf, automatic locking of passive leaf



Escape door locking

Centralised control and visualisation

Escape door locking



Monitoring contacts

Product	Cylinder cam monitoring	Latch monitoring	Deadbolt monitoring	Follower monitoring	Electrically coupled exterior lever handle	Combinable with electric strike
1821/1823/1825	■	■	■	■	–	■
1911	■	■	–	■	–	–
1913	■	■	–	■	–	–
1971	Including	Including	–	Including	■	–

Escape door locking

No.	Product	Description	See page
1	B 5580 09xx	Escape door terminal set with integral power supply unit	488
2	B 5469 0010	Door contact	499
3	6-xxxx-xx-x-x	Cable link	450
4	B 5490 xxxx	Connecting cable for EK lock or lock monitoring device	453
5	B 5465 xxxx	Electric escape door strike	496
6	B 5495 0010	Latch lock	496

Centralised control and visualisation

No.	Product	Description	See page
7	B 5580 0611	BKS-NET panel with pre-installed software, licence included, for max. 8 doors (without collective display)	500
8	B 5580 0421	CU10 building bus coupler (USB interface)	505
9	B 5580 0411	BK10 in-wall bus interface (without frame/cover)	505

Door closer/carrier bar

For detailed order information please refer to our order catalogue for door closers.

Combination RPZA 110-M

Narrow stile doors, panic function, double-leaf, automatic locking of passive leaf, motor-driven opening



Inside



Outside



Functional description

Active leaf

Inside

The active leaf can be opened by the lever handle at any time (panic function). With series 18, the door is locked with the key. With series 19, the door locks automatically without a key.

Outside

The active leaf is opened using the key and lever handle. With series 18, the door is locked with the key. With series 19, the door locks automatically without a key.

- Panic function B
- Panic function C
- Panic function D (not with series 19)

Passive leaf

Inside

Active and passive leaf can be opened by the vertical lever at any time (panic function on both leaves). Upon closing, the passive leaf is locked automatically via the vertical rods. If the door is opened by the passive leaf, the carrier bar ensures that the active leaf is carried along far enough to activate the door-leaf coordinator, so the leaves can close in the appropriate sequence. This also guarantees that the two leaves cannot jam, not even with a small clearance. The closing sequence of the door is controlled by the door-leaf coordinator integrated in the door closer.

Possible applications

- Emergency exits to EN 179 in non-public areas, in conjunction with a swing-door drive
- Suitable for fire and smoke protection doors
- As the lever handle is on the outside, the door can be used as a connecting door from both sides depending on the particular panic function
- Optional combination with electric access control and/or escape door security components (see the following pages)

Recommendation

- Entrance doors to administrative and office buildings
- Homes for the elderly
- Museums
- Airports
- Administrative areas

Combination RPZA 110-M

Narrow stile doors, panic function, double-leaf, automatic locking of passive leaf, motor-driven opening



Active leaf:

1 = Panic lock



Passive leaf:

2 = Motor-driven shoot-bolt lock

3 = Passive-leaf control lock

4 = Vertical rod

5 = Solid vertical rod

6 = Striker

7 = Floor striker

8 = Guide plate for vertical rod

Active leaf

No.	Product	Backset	Panic function B Faceplate 24 x 3 x 270 mm Non-handed	Panic function C Faceplate 24 x 3 x 270 mm Non-handed	Panic function D Faceplate 24 x 3 x 270 mm Non-handed	Additional PC/Swiss RC versions see page		
1	1821 B 1823 C 1825 D	35	B-18210-01-L-8	B-18230-02-L-8	B-18250-01-L-8	284 / 288 / 292		
		40	B-18210-02-L-8	B-18230-03-L-8	B-18250-02-L-8	284 / 288 / 292		
		45	B-18210-03-L-8	B-18230-04-L-8	B-18250-03-L-8	284 / 288 / 292		
	Product	Backset	Latch lever function Faceplate 24 x 3 x 270 mm Non-handed		U-faceplate 24 x 6 x 2 x 268 mm Non-handed		Additional PC/Swiss RC versions see page	
			1971 Electrically coupled	35	B-19710-00-U-8	B-19710-11-U-8		382
				40	B-19710-02-U-8	B-19710-13-U-8		382
		45	B-19710-04-U-8	B-19710-14-U-8		382		
	Product	Backset	Panic function B Faceplate 24 x 3 x 270 mm Non-handed		U-faceplate 24 x 6 x 2 x 268 mm Non-handed	Panic function C Faceplate 24 x 3 x 270 mm Non-handed	Additional PC/Swiss RC versions see page	
			1911	35	B-19110-00-U-8	B-19110-10-U-8	-	362
				40	B-19110-01-U-8	B-19110-11-U-8	-	362
		45	B-19110-02-U-8	B-19110-12-U-8	-	362		
	Product	Backset	Panic function B Faceplate 24 x 3 x 270 mm Non-handed		U-faceplate 24 x 6 x 2 x 268 mm Non-handed	Panic function C Faceplate 24 x 3 x 270 mm Non-handed	Additional PC/Swiss RC versions see page	
1913			35	-	-	B-19130-00-U-8	366	
			40	-	-	B-19130-01-U-8	366	
	45	-	-	B-19130-02-U-8	366			

Passive leaf

No.	Product	Backset	Faceplate 24 x 3 x 410 mm Non-handed	Non-handed	Additional versions see page
2	1893 for series 18 1993 for series 19	35	B-18930-00-0-8	B-19930-00-0-8	342 390
		40	B-18930-01-0-8	B-19930-01-0-8	342 390
		45	B-18930-02-0-8	B-19930-02-0-8	342 390
3	1895	30-45	B 1895 0003		412
4	9006	With end plug	B 9006 0013		436
5	9006	Solid	B 9006 0004		436
6	9000	for 9006	B 9000 0490		426
7	9009/B-0028	-	B 9009 0001 or B-00280-20-0-8		438
8	9019	-	B 9019 0001		439

Combination RPZA 110-M

Narrow stile doors, panic function, double-leaf, automatic locking of passive leaf, motor-driven opening



Inside



Outside

Active leaf: lever handle set with rosettes

Order number*			
B-72030-□□-0-□			
□ Cylinder hole – backplate design	□ Lever handle model	□ Material/Finish	
0 PC – oval	1 RONDO H1.1	1	Silver/EV1 look
1 PC – square	2 RONDO H1.2	3	PVD brass
2 CHRC – oval	7 BELCANTO-Panik H3.1	7	White (RAL 9016)
3 CHRC – square	8 BELCANTO-Panik H3.2	8	Matt stainless steel
4 Without PC-hole – oval	A OFFICE H4.2		
5 Without PC-hole – square	C LEGATO H5.2		
6 Without rosette escutcheon – oval	E TREMOLO H6.2		
7 Without rosette escutcheon – square	G DIRIGENT H7.2		

Active leaf: lever handle set with long backplates

Order number*			
B-72040-□□-0-□			
□ Cylinder hole – backplate design	□ Lever handle model	□ Material/Finish	
4 Without PC-hole – round	1 RONDO H1.1	1	Silver/EV1 look
5 Without PC-hole – square	2 RONDO H1.2	3	PVD brass
6 PC 92 mm – round	7 BELCANTO-Panik H3.1	7	White (RAL 9016)
7 PC 92 mm – square	8 BELCANTO-Panik H3.2	8	Matt stainless steel
8 Swiss RC 94 mm – round	A OFFICE H4.2		
9 Swiss RC 94 mm – square	C LEGATO H5.2		
	E TREMOLO H6.2		
	G DIRIGENT H7.2		

Passive leaf: vertical lever with rosette

Order number*			
B-72930-□□-0-□			
□ Cylinder hole – backplate design	□ Lever handle model	□ Material/Finish	
0 Without PC-hole – oval	1 RONDO H1.1	1	Silver/EV1 look
1 Without PC-hole – square	2 RONDO H1.2	3	PVD brass
	7 BELCANTO-Panik H3.1	7	White (RAL 9016)
	8 BELCANTO-Panik H3.2	8	Matt stainless steel
	A OFFICE H4.2		
	C LEGATO H5.2		
	E TREMOLO H6.2		
	G DIRIGENT H7.2		

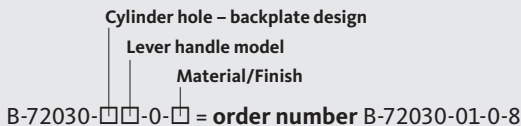
Passive leaf: vertical lever with long backplate

Order number*			
B-72940-□□-0-□			
□ Cylinder hole – backplate design	□ Lever handle model	□ Material/Finish	
0 Without PC-hole – round	0 RONDO H1.0	1	Silver/EV1 look
1 Without PC-hole – square	1 RONDO H1.1	3	PVD brass
	7 BELCANTO-Panik H3.1	7	White (RAL 9016)
	8 BELCANTO-Panik H3.2	8	Matt stainless steel
	A OFFICE H4.2		
	C LEGATO H5.2		
	E TREMOLO H6.2		
	G DIRIGENT H7.2		

Accessories: spindles and screws see from page 482 – more information about the lever sets from page 12

***Ordering example**

Active leaf: lever set with rosettes = B-72030-□□-0-□
 Cylinder hole – backplate design = PC – oval = 0 [refer to table]
 Lever handle model = RONDO H1.1 = 1 [refer to table]
 Material/Finish = matt stainless steel = 8 [refer to table]



Combination RPZA 110-M

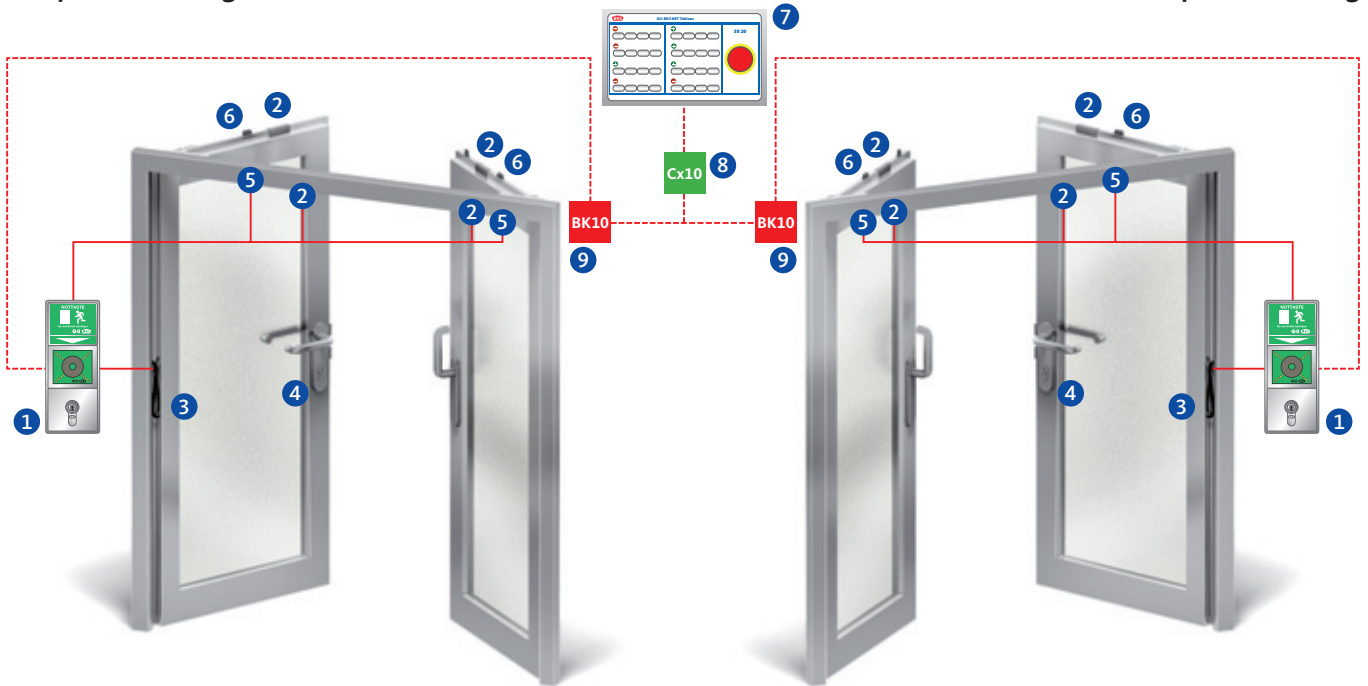
Narrow stile doors, panic function, double-leaf, automatic locking of passive leaf, motor-driven opening



Escape door locking

Centralised control and visualisation

Escape door locking



Monitoring contacts

Product	Cylinder cam monitoring	Latch monitoring	Deadbolt monitoring	Follower monitoring	Electrically coupled exterior lever handle	Combinable with electric strike
1821/1823/1825	■	■	■	■	–	■
1911	■	■	–	■	–	–
1913	■	■	–	■	–	–
1971	Including	Including	–	Including	■	–

Escape door locking

No.	Product	Description	See page
1	B 5580 09xx	Escape door terminal set with integral power supply unit	488
2	B 5469 0010	Door contact	499
3	6-xxxx-xx-x-x	Cable link	450
4	B 5490 xxxx	Connecting cable for EK lock or lock monitoring device	453
5	B 5465 xxxx	Electric escape door strike	496
6	B 5495 0010	Latch lock	496

Centralised control and visualisation

No.	Product	Description	See page
7	B 5580 0611	BKS-NET panel with pre-installed software, licence included, for max. 8 doors (without collective display)	500
8	B 5580 0421	CU10 building bus coupler (USB interface)	505
9	B 5580 0411	BK10 in-wall bus interface (without frame/cover)	505

Door closer/carrier bar

For detailed order information please refer to our order catalogue for door closers.

Combination RPZO 110

Narrow stile doors, panic function, double-leaf, active leaf with top-locking



Functional description

Active leaf

Inside

The active leaf can be opened by the lever handle at any time (panic function). With series 18, the door is locked with the key. With series 19, the door locks automatically without a key.

Outside

The active leaf is opened using the key and lever handle. With series 18, the door is locked with the key. With series 19, the door locks automatically without a key.

- Panic function B
- Panic function C
- Panic function D (not with series 19)

Passive leaf

Inside

Active and passive leaf can be opened by the vertical lever at any time (panic function on both leaves). Upon closing, the passive leaf is locked automatically via the vertical rods. If the door is opened by the passive leaf, the carrier bar ensures that the active leaf is carried along far enough to activate the door-leaf coordinator, so the leaves can close in the appropriate sequence. This also guarantees that the two leaves cannot jam, not even with a small clearance. The closing sequence of the door is controlled by the door-leaf coordinator integrated in the door closer.

Possible applications

- Emergency exits to EN 179 in areas not accessible to the public
- Suitable for fire and smoke protection doors
- As the lever handle is on the outside, the door can be used as a connecting door from both sides depending on the particular panic function
- Suitable for very high entrance doors with a tendency to warp (only by agreement with the door fabricator and in compliance with approvals)
- Enhanced burglar protection and gasket pressure thanks to the additional top-locking feature
- Optional combination with electric access control and/or escape door security components (see the following pages)

Recommendation

- Hallway doors in office buildings
- Homes for the elderly
- Service rooms
- Museums
- Airports
- Stadiums
- Administrative areas

Combination RPZO 110

Narrow stile doors, panic function, double-leaf, active leaf with top-locking



Active leaf:

- 1 = Panic lock with top-locking feature
- 2 = Spring-operated top latch
- 3 = Vertical rod/spring-loaded vertical rod
- 8 = Striker



Passive leaf:

- 4 = Shoot-bolt lock
- 5 = Passive-leaf control lock
- 6 = Vertical rod
- 7 = Solid vertical rod
- 8 = Striker
- 9 = Floor striker
- 10 = Guide plate for vertical rod

Active leaf										
No.	Product	Backset	Panic function B Faceplate 24 x 3 x 270 mm Non-handed		Panic function C Faceplate 24 x 3 x 270 mm (320 mm) Non-handed		Panic function D Faceplate 24 x 3 x 270 mm Non-handed	Additional PC/Swiss RC versions see page		
1	1831 B 1833 C 1835 D	35	B-18310-01-L-8		B-18330-01-L-8		B-18350-01-L-8	300 / 304 / 308		
		40	B-18310-02-L-8		B-18330-02-L-8		B-18350-02-L-8	300 / 304 / 308		
		45	B-18310-03-L-8		B-18330-03-L-8		B-18350-03-L-8	300 / 304 / 308		
	Product	Backset	Latch lever function Faceplate 24 x 3 x 320 mm Non-handed					Additional PC/Swiss RC versions see page		
			35	B-19810-00-U-8					386	
			40	B-19810-02-U-8					386	
		45	B-19810-03-U-8					386		
	Product	Backset	Panic function B Faceplate 24 x 3 x 270 mm Non-handed		Panic function C Faceplate 24 x 3 x 270 mm Non-handed				Additional PC/Swiss RC versions see page	
			U-faceplate 24 x 6 x 2 x 268 mm Non-handed		U-faceplate 24 x 6 x 2 x 268 mm Non-handed					
			35	B-19010-00-U-8	B-19010-06-U-8	B-19030-00-U-8	B-19030-06-U-8			
			40	B-19010-01-U-8	B-19010-07-U-8	B-19030-01-U-8	B-19030-07-U-8			
		45	B-19010-02-U-8	B-19010-08-U-8	B-19030-02-U-8	B-19030-08-U-8				
2	1795	35, 40, 45	B 1795 0001					411		
3	9006 for series 18/19	35, 40, 45	Rod length	1385 mm		B 9006 0022		436		
				1500 mm		B 9006 0013		436		
	9036 for series 19 EK	35, 40, 45	For door heights up to:	2250 mm		B 9036 0001		437		
				2500 mm		B 9036 0002		437		

Passive leaf							
No.	Product	Backset	Faceplate 24 x 3 x 270 mm		Additional versions see page		
			Non-handed	Non-handed			
4	1890 for series 18	1990 for series 19	35	B-18900-01-0-8	B-19900-01-0-8	336	388
			40	B-18900-02-0-8	B-19900-02-0-8	336	388
			45	B-18900-03-0-8	B-19900-03-0-8	336	388
5	1895	30-45	B 1895 0003		412		
6	9006	With end plug	B 9006 0013		436		
7	9006	Solid	B 9006 0004		436		
8	9000	for 1895/1795	B 9000 0490 and B 9000 0567		426		
9	9009/B-0028	-	B 9009 0001 or B-00280-20-0-8		438		
10	9019	-	B 9019 0001		439		

Combination RPZO 110

Narrow stile doors, panic function, double-leaf, active leaf with top-locking



Inside



Outside

Active leaf: lever handle set with rosettes

Order number*			
B-72030-□□-0-□			
□ Cylinder hole – backplate design	□ Lever handle model	□ Material/Finish	
0 PC – oval	1 RONDO H1.1	1	Silver/EV1 look
1 PC – square	2 RONDO H1.2	3	PVD brass
2 CHRC – oval	7 BELCANTO-Panik H3.1	7	White (RAL 9016)
3 CHRC – square	8 BELCANTO-Panik H3.2	8	Matt stainless steel
4 Without PC-hole – oval	A OFFICE H4.2		
5 Without PC-hole – square	C LEGATO H5.2		
6 Without rosette escutcheon – oval	E TREMOLO H6.2		
7 Without rosette escutcheon – square	G DIRIGENT H7.2		

Active leaf: lever handle set with long backplates

Order number*			
B-72040-□□-0-□			
□ Cylinder hole – backplate design	□ Lever handle model	□ Material/Finish	
4 Without PC-hole – round	1 RONDO H1.1	1	Silver/EV1 look
5 Without PC-hole – square	2 RONDO H1.2	3	PVD brass
6 PC 92 mm – round	7 BELCANTO-Panik H3.1	7	White (RAL 9016)
7 PC 92 mm – square	8 BELCANTO-Panik H3.2	8	Matt stainless steel
8 Swiss RC 94 mm – round	A OFFICE H4.2		
9 Swiss RC 94 mm – square	C LEGATO H5.2		
	E TREMOLO H6.2		
	G DIRIGENT H7.2		

Passive leaf: vertical lever with rosette

Order number*			
B-72930-□□-0-□			
□ Cylinder hole – backplate design	□ Lever handle model	□ Material/Finish	
0 Without PC-hole – oval	1 RONDO H1.1	1	Silver/EV1 look
1 Without PC-hole – square	2 RONDO H1.2	3	PVD brass
	7 BELCANTO-Panik H3.1	7	White (RAL 9016)
	8 BELCANTO-Panik H3.2	8	Matt stainless steel
	A OFFICE H4.2		
	C LEGATO H5.2		
	E TREMOLO H6.2		
	G DIRIGENT H7.2		

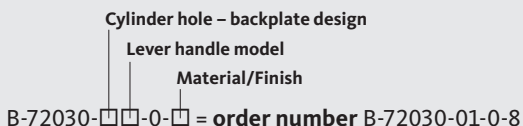
Passive leaf: vertical lever with long backplate

Order number*			
B-72940-□□-0-□			
□ Cylinder hole – backplate design	□ Lever handle model	□ Material/Finish	
0 Without PC-hole – round	0 RONDO H1.0	1	Silver/EV1 look
1 Without PC-hole – square	1 RONDO H1.1	3	PVD brass
	7 BELCANTO-Panik H3.1	7	White (RAL 9016)
	8 BELCANTO-Panik H3.2	8	Matt stainless steel
	A OFFICE H4.2		
	C LEGATO H5.2		
	E TREMOLO H6.2		
	G DIRIGENT H7.2		

Accessories: spindles and screws see from page 482 – **more information** about the lever sets from page 12

***Ordering example**

Active leaf: lever set with rosettes = B-72030-□□-0-□
 Cylinder hole – backplate design = PC – oval = 0 [refer to table]
 Lever handle model = RONDO H1.1 = 1 [refer to table]
 Material/Finish = matt stainless steel = 8 [refer to table]



Combination RPZO 110

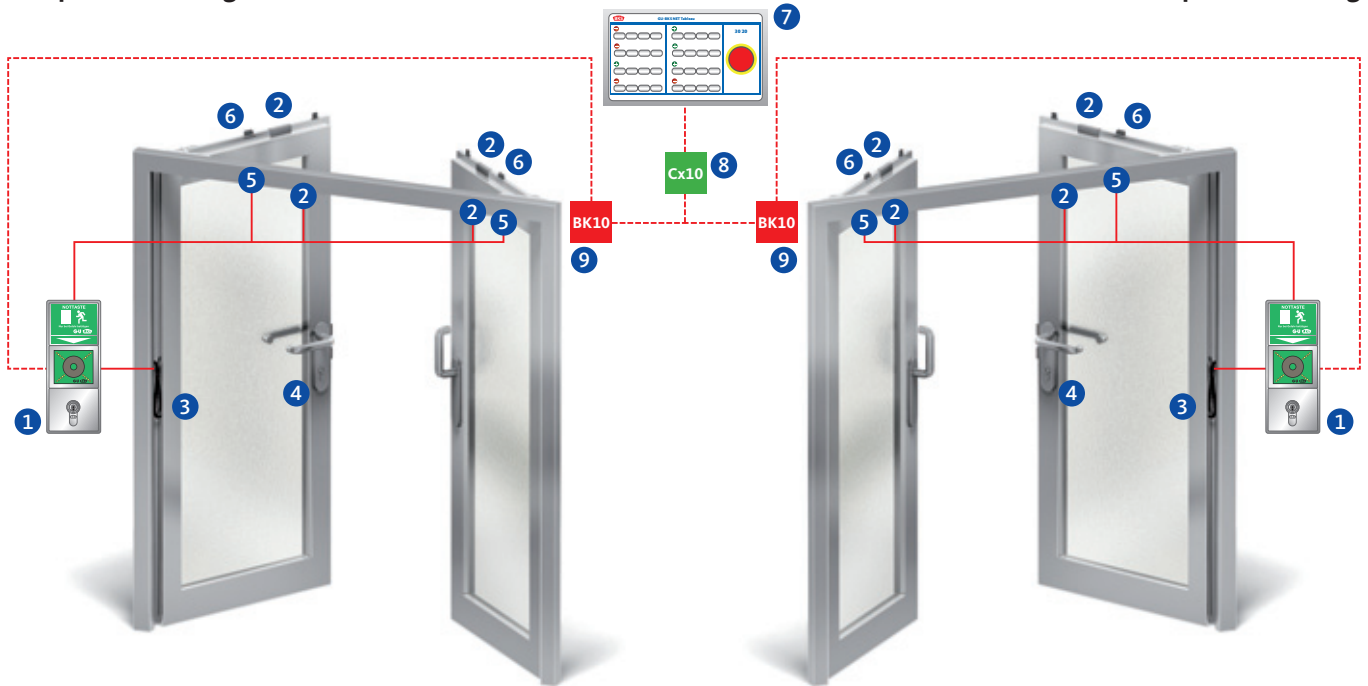
Narrow stile doors, panic function, double-leaf, active leaf with top-locking



Escape door locking

Centralised control and visualisation

Escape door locking



Monitoring contacts

Product	Cylinder cam monitoring	Latch monitoring	Deadbolt monitoring	Follower monitoring	Electrically coupled exterior lever handle	Combinable with electric strike
1831/1833/1835	■	■	■	■	–	■
1901	■	■	–	■	–	–
1903	■	■	–	■	–	–
1981	Including	Including	–	Including	Including	–

Escape door locking

No.	Product	Description	See page
1	B 5580 09xx	Escape door terminal set with integral power supply unit	488
2	B 5469 0010	Door contact	499
3	6-xxxx-xx-x-x	Cable link	450
4	B 5490 xxxx	Connecting cable for EK lock or lock monitoring device	453
5	B 5465 xxxx	Electric escape door strike	496
6	B 5495 0010	Latch lock	496

Centralised control and visualisation

No.	Product	Description	See page
7	B 5580 0611	BKS-NET panel with pre-installed software, licence included, for max. 8 doors (without collective display)	500
8	B 5580 0421	CU10 building bus coupler (USB interface)	505
9	B 5580 0411	BK10 in-wall bus interface (without frame/cover)	505

Door closer/carrier bar

For detailed order information please refer to our order catalogue for door closers.

Combination RPZAS 110

Narrow stile doors, panic function, double-leaf, automatic locking of passive leaf, SECURITY



Inside

Outside



Functional description

Active leaf

Inside

The active leaf can be opened by the lever handle at any time (panic function). With a SECURITY lock, the door locks automatically without having to use the key.

Outside

The active leaf is opened using the key and lever handle. With a SECURITY lock, the door locks automatically without having to use the key.

- Panic function B
- Panic function C

Passive leaf

Inside

Active and passive leaf can be opened by the vertical lever at any time (panic function on both leaves). Upon closing, the passive leaf is locked automatically via the vertical rods. If the door is opened by the passive leaf, the carrier bar ensures that the active leaf is carried along far enough to activate the door-leaf coordinator, so the leaves can close in the appropriate sequence. This also guarantees that the two leaves cannot jam, not even with a small clearance. The closing sequence of the door is controlled by the door-leaf coordinator integrated in the door closer.

Possible applications

- Emergency exits to EN 179 in areas not accessible to the public
- Suitable for fire and smoke protection doors
- Due to the exterior lever handle, the use as entrance or connecting door is possible from both sides, depending on the particular panic function
- Suitable for very high entrance doors with a tendency to warp (only by agreement with the door fabricator and in compliance with approvals)
- Automatic multi-point locking
- Enhanced burglar protection and gasket pressure thanks to the additional locking
- Optional combination with electric access control and/or escape door security components (see the following pages)

Recommendation

- Entrance doors to administrative and office buildings
- Homes for the elderly
- Service rooms
- Museums
- Airports
- Stadiums
- Administrative areas

Combination RPZAS 110

Narrow stile doors, panic function, double-leaf, automatic locking of passive leaf, SECURITY



Active leaf:

1 = SECURITY panic lock



Passive leaf:

- 2 = Shoot-bolt lock
- 3 = Passive leaf control lock
- 4 = Vertical rod
- 5 = Solid vertical rod
- 6 = Striker
- 7 = Floor striker
- 8 = Guide plate for vertical rod
- 9 = Striker

Active leaf					
No.	Product	Backset	Panic function B Faceplate 24 x 3 x 1750 mm		Additional PC/Swiss RC versions see page
			DIN LH	DIN RH	
1	SECURITY 1911	35	6-38611-11-L-8	6-38611-11-R-8	394
		40	6-38611-12-L-8	6-38611-12-R-8	394
		45	6-38611-05-L-8	6-38611-05-R-8	394

Passive leaf				
No.	Product	Backset	Faceplate 24 x 3 x 270 mm Non-handed	Additional versions see page
2	1990	35	B-19900-01-0-8	388
		40	B-19900-02-0-8	388
		45	B-19900-03-0-8	388
3	1895	30-45	B 1895 0003	412
4	9006	With end plug	B 9006 0013	436
5	9006	Solid	B 9006 0004	436
6	9000	For 1895	B 9000 0490	426
7	9009/B-0028	-	B 9009 0001 or B-00280-20-0-8	438
8	9019	-	B 9019 0001	439
9	Lipped striker	Non-handed	B 9000 0913	428
	Striker	Non-handed	9-43501-03-0-8	427

Combination RPZAS 110

Narrow stile doors, panic function, double-leaf, automatic locking of passive leaf, SECURITY



Active leaf: lever handle set with rosettes

Order number*			
B-72030-□□-0-□			
□ Cylinder hole – backplate design	□ Lever handle model	□ Material/Finish	
0 PC – oval	1 RONDO H1.1	1	Silver/EV1 look
1 PC – square	2 RONDO H1.2	3	PVD brass
2 CHRC – oval	7 BELCANTO-Panik H3.1	7	White (RAL 9016)
3 CHRC – square	8 BELCANTO-Panik H3.2	8	Matt stainless steel
4 Without PC-hole – oval	A OFFICE H4.2		
5 Without PC-hole – square	C LEGATO H5.2		
6 Without rosette escutcheon – oval	E TREMOLO H6.2		
7 Without rosette escutcheon – square	G DIRIGENT H7.2		

Active leaf: lever handle set with long backplates

Order number*			
B-72040-□□-0-□			
□ Cylinder hole – backplate design	□ Lever handle model	□ Material/Finish	
4 Without PC-hole – round	1 RONDO H1.1	1	Silver/EV1 look
5 Without PC-hole – square	2 RONDO H1.2	3	PVD brass
6 PC 92 mm – round	7 BELCANTO-Panik H3.1	7	White (RAL 9016)
7 PC 92 mm – square	8 BELCANTO-Panik H3.2	8	Matt stainless steel
8 Swiss RC 94 mm – round	A OFFICE H4.2		
9 Swiss RC 94 mm – square	C LEGATO H5.2		
	E TREMOLO H6.2		
	G DIRIGENT H7.2		

Passive leaf: vertical lever with rosette

Order number*			
B-72930-□□-0-□			
□ Cylinder hole – backplate design	□ Lever handle model	□ Material/Finish	
0 Without PC-hole – oval	1 RONDO H1.1	1	Silver/EV1 look
1 Without PC-hole – square	2 RONDO H1.2	3	PVD brass
	7 BELCANTO-Panik H3.1	7	White (RAL 9016)
	8 BELCANTO-Panik H3.2	8	Matt stainless steel
	A OFFICE H4.2		
	C LEGATO H5.2		
	E TREMOLO H6.2		
	G DIRIGENT H7.2		

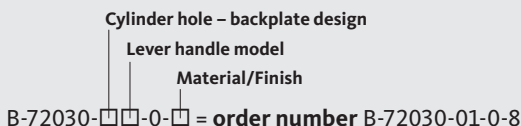
Passive leaf: vertical lever with long backplate

Order number*			
B-72940-□□-0-□			
□ Cylinder hole – backplate design	□ Lever handle model	□ Material/Finish	
0 Without PC-hole – round	0 RONDO H1.0	1	Silver/EV1 look
1 Without PC-hole – square	1 RONDO H1.1	3	PVD brass
	7 BELCANTO-Panik H3.1	7	White (RAL 9016)
	8 BELCANTO-Panik H3.2	8	Matt stainless steel
	A OFFICE H4.2		
	C LEGATO H5.2		
	E TREMOLO H6.2		
	G DIRIGENT H7.2		

Accessories: spindles and screws see from page 482 – **more information** about the lever sets from page 12

***Ordering example**

Active leaf: lever set with rosettes = B-72030-□□-0-□
 Cylinder hole – backplate design = PC – oval = 0 [refer to table]
 Lever handle model = RONDO H1.1 = 1 [refer to table]
 Material/Finish = matt stainless steel = 8 [refer to table]



Combination RPZAS 110

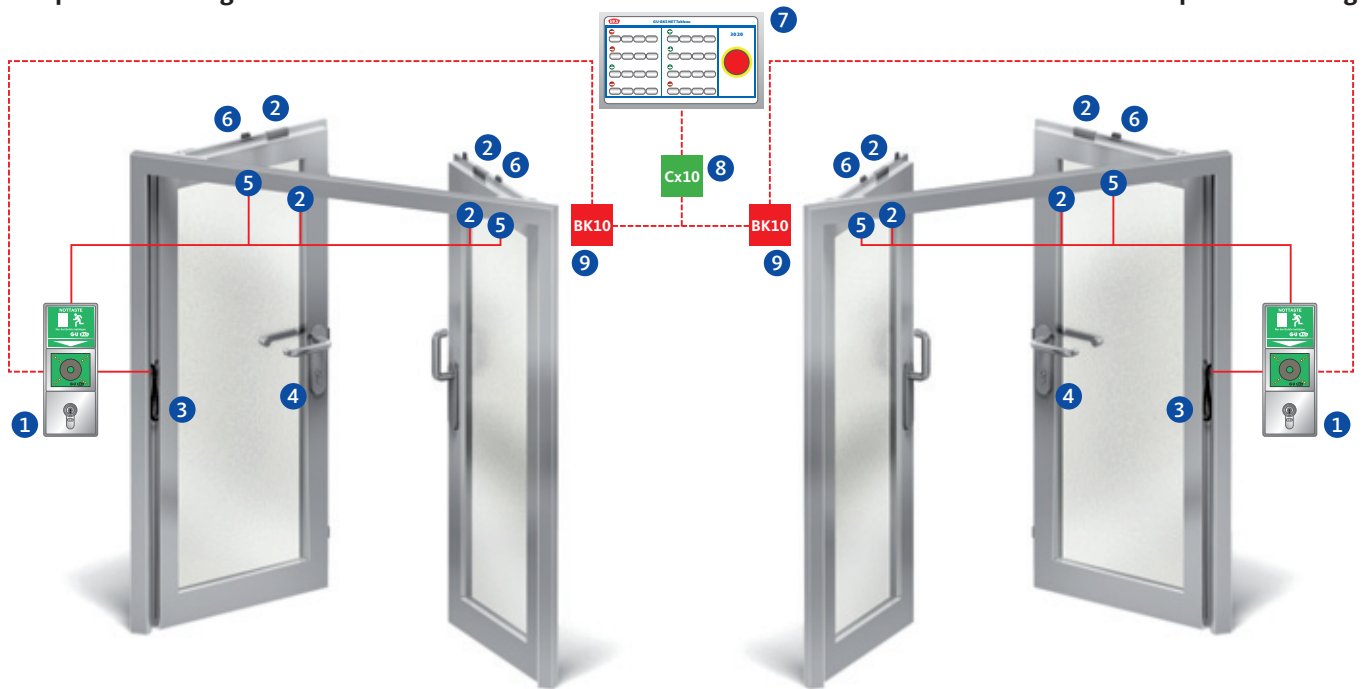
Narrow stile doors, panic function, double-leaf, automatic locking of passive leaf, SECURY



Escape door locking

Centralised control and visualisation

Escape door locking



Monitoring contacts

Product	Cylinder cam monitoring	Latch monitoring	Deadbolt monitoring	Follower monitoring	Electrically coupled exterior lever handle	Combinable with electric strike	With A-opener (motor)
6-38611-xx-x	-	-	-	-	-	-	■

Escape door locking

No.	Product	Description	See page
1	B 5580 09xx	Escape door terminal set with integral power supply unit	488
2	B 5469 0010	Door contact	499
3	6-xxxx-xx-x-x	Cable link	450
4	B 5490 xxxx	Connecting cable for EK lock or lock monitoring device	453
5	B 5465 xxxx	Electric escape door strike	496
6	B 5495 0010	Latch lock	496

Centralised control and visualisation

No.	Product	Description	See page
7	B 5580 0611	BKS-NET panel with pre-installed software, licence included, for max. 8 doors (without collective display)	500
8	B 5580 0421	CU10 building bus coupler (USB interface)	505
9	B 5580 0411	BK10 in-wall bus interface (without frame/cover)	505

Door closer/carrier bar

For detailed order information please refer to our order catalogue for door closers.

Combination type RPZA 170

Narrow stile doors, panic function, double-leaf, automatic locking of passive leaf



Functional description

Active leaf

Inside

The active leaf can be opened by the lever handle at any time (panic function). With series 18, the door is locked with the key. With series 19, the door locks automatically without a key.

Outside

The active leaf can only be opened with the key.
 With series 18, the door is locked with the key.
 With series 19, the door locks automatically without a key.
 – Panic function E

Passive leaf

Inside

Active and passive leaf can be opened by the vertical lever at any time (panic function on both leaves). Upon closing, the passive leaf is locked automatically via the vertical rods. If the door is opened by the passive leaf, the carrier bar ensures that the active leaf is carried along far enough to activate the door-leaf coordinator, so the leaves can close in the appropriate sequence. This also guarantees that the two leaves cannot jam, not even with a small clearance. The closing sequence of the door is controlled by the door-leaf coordinator integrated in the closer.

Possible applications

- Emergency exits to EN 179 in areas not accessible to the public
- Suitable for fire and smoke protection doors
- As the fixed knob or push/pull handle is on the outside, access from the outside is only possible using the key
- Optional combination with electric access control and/or escape door security components (see the following pages)

Recommendation

- Museums
- Airports
- Stadiums
- Administrative areas
- Schools and universities
- Hospitals

Combination RPZA 170

Narrow stile doors, panic function, double-leaf, automatic locking of passive leaf



Active leaf:

1 = Panic lock



Passive leaf:

- 2 = Shoot-bolt lock
- 3 = Passive-leaf control lock
- 4 = Vertical rod
- 5 = Solid vertical rod
- 6 = Striker
- 7 = Floor striker
- 8 = Guide plate for vertical rod

Active leaf						
No.	Product	Backset	Panic function E Faceplate 24 x 3 x 270 mm Non-handed	U-faceplate 24 x 6 x 2 x 268 mm Non-handed	Additional PC/Swiss RC versions see page	
1	1827	35	B-18270-01-U-8	B-18270-20-U-8	296	
		40	B-18270-02-U-8	–	296	
		45	B-18270-03-U-8	B-18270-21-U-8	296	
		Product	Backset	Panic function E Faceplate 24 x 3 x 270 mm Non-handed	U-faceplate 24 x 6 x 2 x 268 mm Non-handed	Additional PC/Swiss RC versions see page
	1917	35	B-19170-00-U-8	B-19170-10-U-8	370	
		40	B-19170-01-U-8	B-19170-11-U-8	370	
		45	B-19170-02-U-8	B-19170-12-U-8	370	
	1917 with latch holdback	35	B-19170-34-U-8	B-19170-40-U-8	370	
		40	B-19170-35-U-8	B-19170-41-U-8	370	
		45	B-19170-36-U-8	B-19170-42-U-8	370	

Passive leaf							
No.	Product	Backset	Faceplate 24 x 3 x 310 mm DIN LH	DIN RH	Additional versions see page		
2	1793 prepared for electric strike	35	B 1793 6001	B 1793 6000	278		
		40	B 1793 6005	B 1793 6004	278		
		45	B 1793 6007	B 1793 6006	278		
		Product	Backset	Faceplate 24 x 3 x 270 mm Non-handed	Additional versions see page		
	1890 for series 18	1990 for series 19	35	B-18900-01-0-8	B-19900-01-0-8	336	388
			40	B-18900-02-0-8	B-19900-02-0-8	336	388
			45	B-18900-03-0-8	B-19900-03-0-8	336	388
	3	1895	30–45	B 1895 0003		412	
	4	9006	With end plug	B 9006 0013		436	
5	9006	Solid	B 9006 0004		436		
6	9000	For 1895	B 9000 0490		426		
7	9009/B-0028	–	B 9009 0001 or B-00280-20-0-8		438		
8	9019	–	B 9019 0001		439		

Combination RPZA 170

Narrow stile doors, panic function, double-leaf, automatic locking of passive leaf



Active leaf: entrance set with rosettes

Order number*	Knob		
B-72330-□□-0-□	K1.1 round knob		
B-72530-□□-0-□	K2.1 ball knob		
□ Cylinder hole – backplate design	□ Lever handle model	□ Material/Finish	
0 PC – oval	1 RONDO H1.1	1	Silver/EV1 look
1 PC – square	2 RONDO H1.2	3	PVD brass
2 CHRC – oval	7 BELCANTO-Panik H3.1	7	White (RAL 9016)
3 CHRC – square	8 BELCANTO-Panik H3.2	8	Matt stainless steel
4 Without PC-hole – oval	A OFFICE H4.2		
5 Without PC-hole – square	C LEGATO H5.2		
6 Without rosette escutcheon – oval	E TREMOLO H6.2		
7 Without rosette escutcheon – square	G DIRIGENT H7.2		

Active leaf: entrance set with long backplates

Order number*	Knob		
B-72340-□□-0-□	K1.1 round knob		
B-72540-□□-0-□	K2.1 ball knob		
□ Cylinder hole – backplate design	□ Lever handle model	□ Material/Finish	
4 Without PC-hole – round	1 RONDO H1.1	1	Silver/EV1 look
5 Without PC-hole – square	2 RONDO H1.2	3	PVD brass
6 PC 92 mm – round	7 BELCANTO-Panik H3.1	7	White (RAL 9016)
7 PC 92 mm – square	8 BELCANTO-Panik H3.2	8	Matt stainless steel
8 Swiss RC 94 mm – round	A OFFICE H4.2		
9 Swiss RC 94 mm – square	C LEGATO H5.2		
	E TREMOLO H6.2		
	G DIRIGENT H7.2		

Passive leaf: vertical lever with rosette

Order number*			
B-72930-□□-0-□			
□ Cylinder hole – backplate design	□ Lever handle model	□ Material/Finish	
0 Without PC-hole – oval	1 RONDO H1.1	1	Silver/EV1 look
1 Without PC-hole – square	2 RONDO H1.2	3	PVD brass
	7 BELCANTO-Panik H3.1	7	White (RAL 9016)
	8 BELCANTO-Panik H3.2	8	Matt stainless steel
	A OFFICE H4.2		
	C LEGATO H5.2		
	E TREMOLO H6.2		
	G DIRIGENT H7.2		

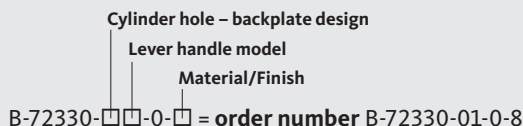
Passive leaf: vertical lever with long backplate

Order number*			
B-72940-□□-0-□			
□ Cylinder hole – backplate design	□ Lever handle model	□ Material/Finish	
0 Without PC-hole – round	0 RONDO H1.0	1	Silver/EV1 look
1 Without PC-hole – square	1 RONDO H1.1	3	PVD brass
	7 BELCANTO-Panik H3.1	7	White (RAL 9016)
	8 BELCANTO-Panik H3.2	8	Matt stainless steel
	A OFFICE H4.2		
	C LEGATO H5.2		
	E TREMOLO H6.2		
	G DIRIGENT H7.2		

Accessories: spindles and screws see from page 482 – **more information** about the lever sets from page 12

***Ordering example**

Active leaf: entrance set with rosettes = B-72330-□□-0-□
 Cylinder hole – backplate design = PC – oval = 0 [refer to table]
 Lever handle model = RONDO H1.1 = 1 [refer to table]
 Material/Finish = matt stainless steel = 8 [refer to table]



Combination RPZA 170

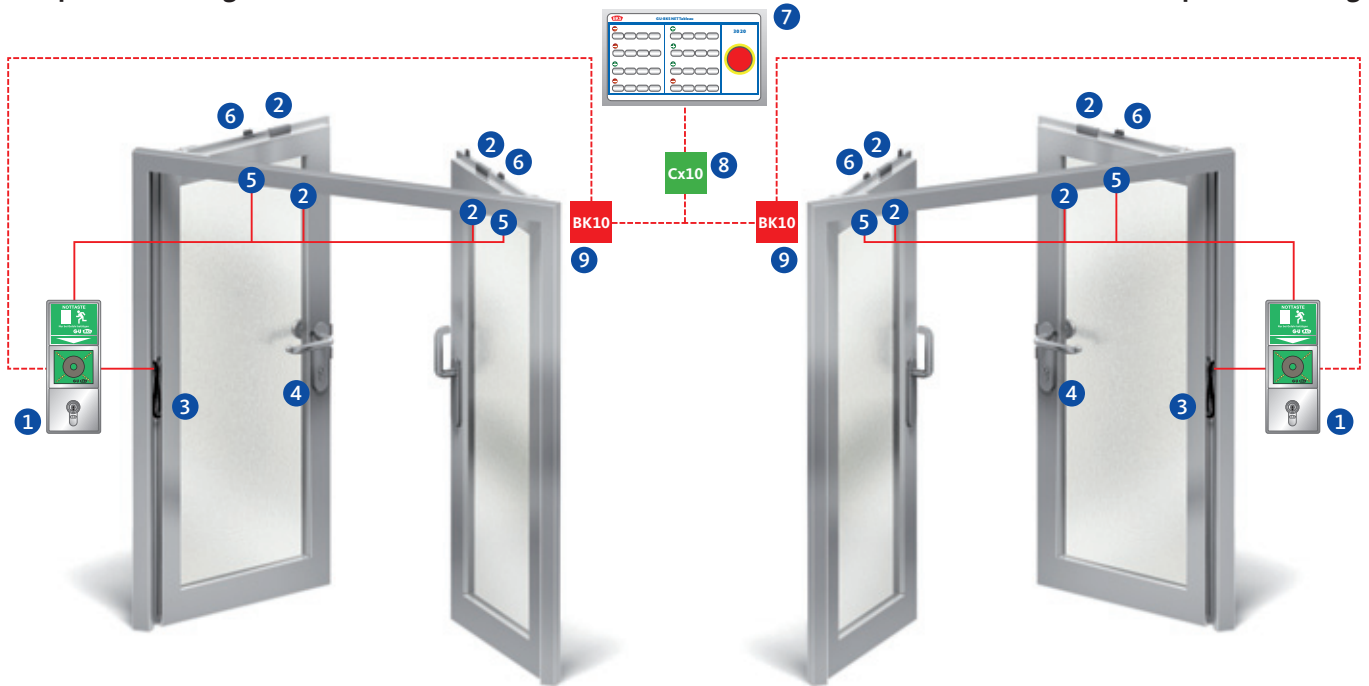
Narrow stile doors, panic function, double-leaf, automatic locking of passive leaf



Escape door locking

Centralised control and visualisation

Escape door locking



Monitoring contacts

Product	Cylinder cam monitoring	Latch monitoring	Deadbolt monitoring	Follower monitoring	Electrically coupled exterior lever handle	Combinable with electric strike
1827	■	■	■	■	-	■
1917	■	■	-	■	-	-

Escape door locking

No.	Product	Description	See page
1	B 5580 09xx	Escape door terminal set with integral power supply unit	488
2	B 5469 0010	Door contact	499
3	6-xxxx-xx-x-x	Cable link	450
4	B 5490 xxxx	Connecting cable for EK lock or lock monitoring device	453
5	B 5465 xxxx	Electric escape door strike	496
6	B 5495 0010	Latch lock	496

Centralised control and visualisation

No.	Product	Description	See page
7	B 5580 0611	BKS-NET panel with pre-installed software, licence included, for max. 8 doors (without collective display)	500
8	B 5580 0421	CU10 building bus coupler (USB interface)	505
9	B 5580 0411	BK10 in-wall bus interface (without frame/cover)	505

Door closer/carrier bar

For detailed order information please refer to our order catalogue for door closers.

Combination RPZA 170-M

Narrow stile doors, panic function, double-leaf, automatic locking of passive leaf, motor-driven opening



Functional description

Active leaf

Inside

The active leaf can be opened by the lever handle at any time (panic function). With series 18, the door is locked with the key. With series 19, the door locks automatically without a key.

Outside

The active leaf can only be opened with the key.
 With series 18, the door is locked with the key.
 With series 19, the door locks automatically without a key.
 – Panic function E

Passive leaf

Inside

Active and passive leaf can be opened by the vertical lever at any time (panic function on both leaves). Upon closing, the passive leaf is locked automatically via the vertical rods. If the door is opened by the passive leaf, the carrier bar ensures that the active leaf is carried along far enough to activate the door-leaf coordinator, so the leaves can close in the appropriate sequence. This also guarantees that the two leaves cannot jam, not even with a small clearance. The closing sequence of the door is controlled by the door-leaf coordinator integrated in the closer.

Possible applications

- Emergency exits to EN 179 in non-public areas, in conjunction with a swing-door drive
- Suitable for fire and smoke protection doors
- As the fixed knob or push/pull handle is on the outside, access from the outside is only possible using the key.
- Optional combination with electric access control and/or escape door security components (see the following pages)

Recommendation

- Museums
- Airports
- Administrative areas
- Schools and universities
- Hospitals

Combination RPZA 170-M

Narrow stile doors, panic function, double-leaf, automatic locking of passive leaf, motor-driven opening



Active leaf:

① = Panic lock



Passive leaf:

- ② = Motor-driven shoot-bolt lock
- ③ = Passive-leaf control lock
- ④ = Vertical rod
- ⑤ = Solid vertical rod
- ⑥ = Striker
- ⑦ = Floor striker
- ⑧ = Guide plate for vertical rod

Active leaf								
No.	Product	Backset	Panic function E Faceplate 24 x 3 x 270 mm Non-handed	U-faceplate 24 x 6 x 2 x 268 mm Non-handed	Additional PC/Swiss RC versions see page			
1	1827	35	B-18270-01-U-8	B-18270-20-U-8	296			
		40	B-18270-02-U-8	-	296			
		45	B-18270-03-U-8	B-18270-21-U-8	296			
	1917	Product	Backset	Panic function E Faceplate 24 x 3 x 270 mm Non-handed		Additional PC/Swiss RC versions see page		
				35	B-19170-00-U-8	B-19170-10-U-8	370	
				40	B-19170-01-U-8	B-19170-11-U-8	370	
		1917 with latch holdback	Product	Backset	45	B-19170-02-U-8	B-19170-12-U-8	370
					35	B-19170-34-U-8	B-19170-40-U-8	370
					40	B-19170-35-U-8	B-19170-41-U-8	370
					45	B-19170-36-U-8	B-19170-42-U-8	370

Passive leaf							
No.	Product	Backset	Faceplate 24 x 3 x 410 mm		Additional versions see page		
			Non-handed	Non-handed			
2	1893 for series 18	1993 for series 19	35	B-18930-00-0-8	B-19930-00-0-8	342	390
			40	B-18930-01-0-8	B-19930-01-0-8	342	390
			45	B-18930-02-0-8	B-19930-02-0-8	342	390
3	1895	30-45	B 1895 0003		412		
4	9006	With end plug	B 9006 0013		436		
5	9006	Solid	B 9006 0004		436		
6	9000	For 1895	B 9000 0490		426		
7	9009/B-0028	-	B 9009 0001 or B-00280-20-0-8		438		
8	9019	-	B 9019 0001		439		

Combination RPZA 170-M

Narrow stile doors, panic function, double-leaf, automatic locking of passive leaf, motor-driven opening



Active leaf: entrance set with rosettes

Order number*		Knob	
B-72330-□□-0-□		K1.1 round knob	
B-72530-□□-0-□		K2.1 ball knob	
□ Cylinder hole – backplate design	□ Lever handle model	□ Material/Finish	
0 PC – oval	1 RONDO H1.1	1	Silver/EV1 look
1 PC – square	2 RONDO H1.2	3	PVD brass
2 CHRC – oval	7 BELCANTO-Panik H3.1	7	White (RAL 9016)
3 CHRC – square	8 BELCANTO-Panik H3.2	8	Matt stainless steel
4 Without PC-hole – oval	A OFFICE H4.2		
5 Without PC-hole – square	C LEGATO H5.2		
6 Without rosette escutcheon – oval	E TREMOLO H6.2		
7 Without rosette escutcheon – square	G DIRIGENT H7.2		

Active leaf: entrance set with long backplates

Order number*		Knob	
B-72340-□□-0-□		K1.1 round knob	
B-72540-□□-0-□		K2.1 ball knob	
□ Cylinder hole – backplate design	□ Lever handle model	□ Material/Finish	
4 Without PC-hole – round	1 RONDO H1.1	1	Silver/EV1 look
5 Without PC-hole – square	2 RONDO H1.2	3	PVD brass
6 PC 92 mm – round	7 BELCANTO-Panik H3.1	7	White (RAL 9016)
7 PC 92 mm – square	8 BELCANTO-Panik H3.2	8	Matt stainless steel
8 Swiss RC 94 mm – round	A OFFICE H4.2		
9 Swiss RC 94 mm – square	C LEGATO H5.2		
	E TREMOLO H6.2		
	G DIRIGENT H7.2		

Passive leaf: vertical lever with rosette

Order number*		Knob	
B-72930-□□-0-□		K1.1 round knob	
□ Cylinder hole – backplate design	□ Lever handle model	□ Material/Finish	
0 Without PC-hole – oval	1 RONDO H1.1	1	Silver/EV1 look
1 Without PC-hole – square	2 RONDO H1.2	3	PVD brass
	7 BELCANTO-Panik H3.1	7	White (RAL 9016)
	8 BELCANTO-Panik H3.2	8	Matt stainless steel
	A OFFICE H4.2		
	C LEGATO H5.2		
	E TREMOLO H6.2		
	G DIRIGENT H7.2		

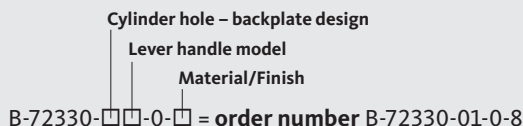
Passive leaf: vertical lever with long backplate

Order number*		Knob	
B-72940-□□-0-□		K1.1 round knob	
□ Cylinder hole – backplate design	□ Lever handle model	□ Material/Finish	
0 Without PC-hole – round	0 RONDO H1.0	1	Silver/EV1 look
1 Without PC-hole – square	1 RONDO H1.1	3	PVD brass
	7 BELCANTO-Panik H3.1	7	White (RAL 9016)
	8 BELCANTO-Panik H3.2	8	Matt stainless steel
	A OFFICE H4.2		
	C LEGATO H5.2		
	E TREMOLO H6.2		
	G DIRIGENT H7.2		

Accessories: spindles and screws see from page 482 – **more information** about the lever sets from page 12

***Ordering example**

Active leaf: entrance set with rosettes = B-72330-□□-0-□
 Cylinder hole – backplate design = PC – oval = 0 [refer to table]
 Lever handle model = RONDO H1.1 = 1 [refer to table]
 Material/Finish = matt stainless steel = 8 [refer to table]



Combination RPZA 170-M

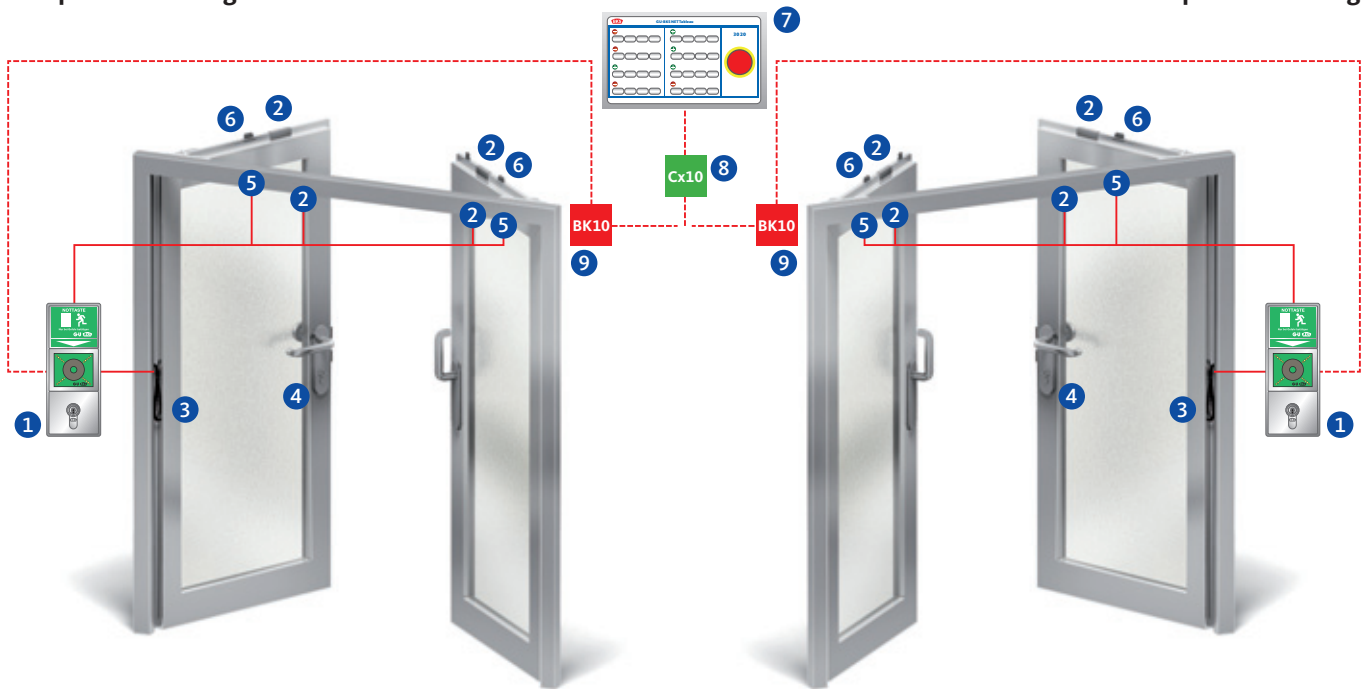
Narrow stile doors, panic function, double-leaf, automatic locking of passive leaf, motor-driven opening



Escape door locking

Centralised control and visualisation

Escape door locking



Monitoring contacts

Product	Cylinder cam monitoring	Latch monitoring	Deadbolt monitoring	Follower monitoring	Electrically coupled exterior lever handle	Combinable with electric strike
1827	■	■	■	■	-	■
1917	■	■	-	■	-	-

Escape door locking

No.	Product	Description	See page
1	B 5580 09xx	Escape door terminal set with integral power supply unit	488
2	B 5469 0010	Door contact	499
3	6-xxxx-xx-x-x	Cable link	450
4	B 5490 xxxx	Connecting cable for EK lock or lock monitoring device	453
5	B 5465 xxxx	Electric escape door strike	496
6	B 5495 0010	Latch lock	496

Centralised control and visualisation

No.	Product	Description	See page
7	B 5580 0611	BKS-NET panel with pre-installed software, licence included, for max. 8 doors (without collective display)	500
8	B 5580 0421	CU10 building bus coupler (USB interface)	505
9	B 5580 0411	BK10 in-wall bus interface (without frame/cover)	505

Door closer/carrier bar

For detailed order information please refer to our order catalogue for door closers.

Combination RPZO 170

Narrow stile doors, panic function, double-leaf, active leaf with top-locking



Inside

Outside



Functional description

Active leaf

Inside

The active leaf can be opened by the lever handle at any time (panic function). With series 18, the door is locked with the key. With series 19, the door locks automatically without a key.

Outside

The active leaf can only be opened with the key.
With series 18, the door is locked with the key.
With series 19, the door locks automatically without a key.
– Panic function E

Passive leaf

Inside

Active and passive leaf can be opened by the vertical lever at any time (panic function on both leaves). Upon closing, the passive leaf is locked automatically via the vertical rods. If the door is opened by the passive leaf, the carrier bar ensures that the active leaf is carried along far enough to activate the door-leaf coordinator, so the leaves can close in the appropriate sequence. This also guarantees that the two leaves cannot jam, not even with a small clearance. The closing sequence of the door is controlled by the door-leaf coordinator integrated in the closer.

Possible applications

- Emergency exits to EN 179 in areas not accessible to the public
- Suitable for fire and smoke protection doors
- As the fixed knob or push/pull handle is on the outside, access from the outside is only possible using the key
- Suitable for very high entrance doors with a tendency to warp (only by agreement with the door fabricator and in compliance with approvals)
- Enhanced burglar protection and gasket pressure thanks to the additional top-locking feature
- Optional combination with electric access control and/or escape door security components (see the following pages)

Recommendation

- Museums
- Stadiums
- Airports
- Entrance doors for warehouses and office buildings
- Administrative areas

Combination RPZO 170

Narrow stile doors, panic function, double-leaf, active leaf with top-locking



Active leaf:

- 1 = Panic lock with top-locking feature
- 2 = Spring-operated top latch
- 3 = Vertical rod
- 8 = Striker



Passive leaf:

- 4 = Shoot-bolt lock
- 5 = Passive-leaf control lock
- 6 = Vertical rod
- 7 = Solid vertical rod
- 8 = Striker
- 9 = Floor striker
- 10 = Guide plate for vertical rod

Active leaf

No.	Product	Backset	Panic function E Faceplate 24 x 3 x 270 mm Non-handed		Additional PC/Swiss RC versions see page	
1	1837	35	B-18370-02-U-8		312	
		40	B-18370-04-U-8		312	
		45	B-18370-06-U-8		312	
	1907 Self-locking	35, 40, 45	Panic function E Faceplate 24 x 3 x 270 mm Non-handed		U-faceplate 24 x 6 x 2 x 268 mm Non-handed	Additional PC/Swiss RC versions see page
			B-19070-00-U-8		B-19070-06-U-8	358
			B-19070-01-U-8		B-19070-07-U-8	358
2	1795	35, 40, 45	B 1795 0001		411	
3	9006	35, 40, 45	Rod length	1385 mm	B 9006 0022	436
				1500 mm	B 9006 0013	436

Passive leaf

No.	Product	Backset	Faceplate 24 x 3 x 270 mm Non-handed	Additional versions see page
4	1890 for series 18	35	B-18900-01-0-8	336
		40	B-18900-02-0-8	336
		45	B-18900-03-0-8	336
	1990 for series 19	35	B-19900-01-0-8	388
		40	B-19900-02-0-8	388
		45	B-19900-03-0-8	388
5	1895	30-45	B 1895 0003	412
6	9006	With end plug	B 9006 0013	436
7	9006	Solid	B 9006 0004	436
8	9000	For lock 1895/1795	B 9000 0490 and B 9000 0567	426
9	9009/B-0028	-	B 9009 0001 or B-00280-20-0-8	438
10	9019	-	B 9019 0001	439

Combination RPZO 170

Narrow stile doors, panic function, double-leaf, active leaf with top-locking



Inside



Outside

Active leaf: entrance set with rosettes

Order number*		Knob	
B-72330-□□-0-□		K1.1 round knob	
B-72530-□□-0-□		K2.1 ball knob	
□ Cylinder hole – backplate design	□ Lever handle model	□ Material/Finish	
0 PC – oval	1 RONDO H1.1	1	Silver/EV1 look
1 PC – square	2 RONDO H1.2	3	PVD brass
2 CHRC – oval	7 BELCANTO-Panik H3.1	7	White (RAL 9016)
3 CHRC – square	8 BELCANTO-Panik H3.2	8	Matt stainless steel
4 Without PC-hole – oval	A OFFICE H4.2		
5 Without PC-hole – square	C LEGATO H5.2		
6 Without rosette escutcheon – oval	E TREMOLO H6.2		
7 Without rosette escutcheon – square	G DIRIGENT H7.2		

Active leaf: entrance set with long backplates

Order number*		Knob	
B-72340-□□-0-□		K1.1 round knob	
B-72540-□□-0-□		K2.1 ball knob	
□ Cylinder hole – backplate design	□ Lever handle model	□ Material/Finish	
4 Without PC-hole – round	1 RONDO H1.1	1	Silver/EV1 look
5 Without PC-hole – square	2 RONDO H1.2	3	PVD brass
6 PC 92 mm – round	7 BELCANTO-Panik H3.1	7	White (RAL 9016)
7 PC 92 mm – square	8 BELCANTO-Panik H3.2	8	Matt stainless steel
8 Swiss RC 94 mm – round	A OFFICE H4.2		
9 Swiss RC 94 mm – square	C LEGATO H5.2		
	E TREMOLO H6.2		
	G DIRIGENT H7.2		

Passive leaf: vertical lever with rosette

Order number*		Knob	
B-72930-□□-0-□		K1.1 round knob	
□ Cylinder hole – backplate design	□ Lever handle model	□ Material/Finish	
0 Without PC-hole – oval	1 RONDO H1.1	1	Silver/EV1 look
1 Without PC-hole – square	2 RONDO H1.2	3	PVD brass
	7 BELCANTO-Panik H3.1	7	White (RAL 9016)
	8 BELCANTO-Panik H3.2	8	Matt stainless steel
	A OFFICE H4.2		
	C LEGATO H5.2		
	E TREMOLO H6.2		
	G DIRIGENT H7.2		

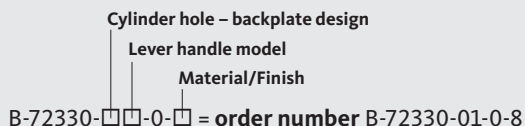
Passive leaf: vertical lever with long backplate

Order number*		Knob	
B-72940-□□-0-□		K1.1 round knob	
□ Cylinder hole – backplate design	□ Lever handle model	□ Material/Finish	
0 Without PC-hole – round	0 RONDO H1.0	1	Silver/EV1 look
1 Without PC-hole – square	1 RONDO H1.1	3	PVD brass
	7 BELCANTO-Panik H3.1	7	White (RAL 9016)
	8 BELCANTO-Panik H3.2	8	Matt stainless steel
	A OFFICE H4.2		
	C LEGATO H5.2		
	E TREMOLO H6.2		
	G DIRIGENT H7.2		

Accessories: spindles and screws see from page 482 – more information about the lever sets from page 12

***Ordering example**

Active leaf: entrance set with rosettes = B-72330-□□-0-□
 Cylinder hole – backplate design = PC – oval = 0 [refer to table]
 Lever handle model = RONDO H1.1 = 1 [refer to table]
 Material/Finish = matt stainless steel = 8 [refer to table]



Combination RPZO 170

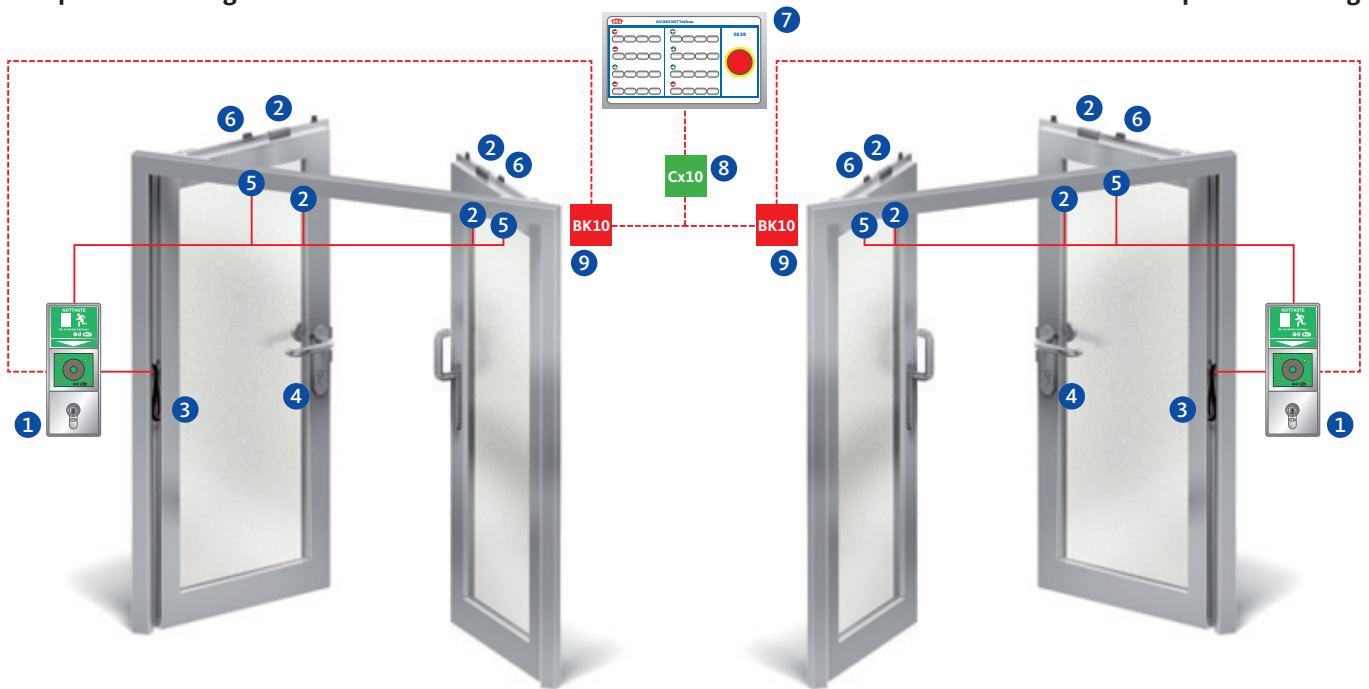
Narrow stile doors, panic function, double-leaf, active leaf with top-locking



Escape door locking

Centralised control and visualisation

Escape door locking



Monitoring contacts

Product	Cylinder cam monitoring	Latch monitoring	Deadbolt monitoring	Follower monitoring	Electrically coupled exterior lever handle	Combinable with electric strike
1837	■	■	■	■	-	■
1907	■	■	-	■	-	-

Escape door locking

No.	Product	Description	See page
1	B 5580 09xx	Escape door terminal set with integral power supply unit	488
2	B 5469 0010	Door contact	499
3	6-xxxx-xx-x-x	Cable link	450
4	B 5490 xxxx	Connecting cable for EK lock or lock monitoring device	453
5	B 5465 xxxx	Electric escape door strike	496
6	B 5495 0010	Latch lock	496

Centralised control and visualisation

No.	Product	Description	See page
7	B 5580 0611	BKS-NET panel with pre-installed software, licence included, for max. 8 doors (without collective display)	500
8	B 5580 0421	CU10 building bus coupler (USB interface)	505
9	B 5580 0411	BK10 in-wall bus interface (without frame/cover)	505

Door closer/carrier bar

For detailed order information please refer to our order catalogue for door closers.

Combination RPZA 210

Narrow stile doors, panic function, double-leaf, automatic locking of passive leaf



Inside

Outside



Functional description

Active leaf

Inside

The active leaf can be opened by the lever handle at any time (panic function). Locking is done by key.

Outside

The active leaf can only be opened with the key. Locking is done by key.

– Panic function P

Passive leaf

Inside

Active and passive leaf can be opened by the vertical lever at any time (panic function on both leaves). Upon closing, the passive leaf is locked automatically via the vertical rods. If the door is opened by the passive leaf, the carrier bar ensures that the active leaf is carried along far enough to activate the door-leaf coordinator, so the leaves can close in the appropriate sequence. This also guarantees that the two leaves cannot jam, not even with a small clearance. The closing sequence of the door is controlled by the door-leaf coordinator integrated in the closer.

Possible applications

- Emergency exits to EN 179 in areas not accessible to the public
- As the fixed knob or push/pull handle is on the outside, access from the outside is only possible using the key.
- Optional combination with electric access control and/or escape door security components (see the following pages)

Recommendation

- Museums
- Stadiums
- Airports
- Entrance doors for warehouses and office buildings
- Administrative areas

Combination RPZA 210

Narrow stile doors, panic function, double-leaf, automatic locking of passive leaf



Active leaf:

1 = Panic lock



Passive leaf:

- 2 = Shoot-bolt lock
- 3 = Passive-leaf control lock
- 4 = Vertical rod
- 5 = Solid vertical rod
- 6 = Striker
- 7 = Floor striker
- 8 = Guide plate for vertical rod

Active leaf				
No.	Product	Backset	Panic function P Faceplate 24 x 3 x 270 mm Non-handed	Additional PC/Swiss RC versions see page
1	1849	35	B-18490-06-0-8	332
		40	B-18490-07-0-8	332
		45	B-18490-08-0-8	332

Passive leaf				
No.	Product	Backset	Faceplate 24 x 3 x 270 mm Non-handed	Additional versions see page
2	1891	35	B-18910-01-0-8	338
		40	B-18910-02-0-8	338
		45	B-18910-03-0-8	338
3	1895	30-45	B 1895 0003	412
4	9006	With end plug	B 9006 0013	436
5	9006	Solid	B 9006 0004	436
6	9000	For 1895	B 9000 0490	426
7	9009/B-0028	-	B 9009 0001 or B-00280-20-0-8	438
8	9019	-	B 9019 0001	439

Combination RPZA 210

Narrow stile doors, panic function, double-leaf, automatic locking of passive leaf



Active leaf: entrance set with rosettes

Order number*		Knob	
B-72330-□□-0-□		K1.1 round knob	
B-72530-□□-0-□		K2.1 ball knob	
□ Cylinder hole – backplate design	□ Lever handle model	□ Material/Finish	
0 PC – oval	1 RONDO H1.1	1	Silver/EV1 look
1 PC – square	2 RONDO H1.2	3	PVD brass
2 CHRC – oval	7 BELCANTO-Panik H3.1	7	White (RAL 9016)
3 CHRC – square	8 BELCANTO-Panik H3.2	8	Matt stainless steel
4 Without PC-hole – oval	A OFFICE H4.2		
5 Without PC-hole – square	C LEGATO H5.2		
6 Without rosette escutcheon – oval	E TREMOLO H6.2		
7 Without rosette escutcheon – square	G DIRIGENT H7.2		

Active leaf: entrance set with long backplates

Order number*		Knob	
B-72340-□□-0-□		K1.1 round knob	
B-72540-□□-0-□		K2.1 ball knob	
□ Cylinder hole – backplate design	□ Lever handle model	□ Material/Finish	
4 Without PC-hole – round	1 RONDO H1.1	1	Silver/EV1 look
5 Without PC-hole – square	2 RONDO H1.2	3	PVD brass
6 PC 92 mm – round	7 BELCANTO-Panik H3.1	7	White (RAL 9016)
7 PC 92 mm – square	8 BELCANTO-Panik H3.2	8	Matt stainless steel
8 Swiss RC 94 mm – round	A OFFICE H4.2		
9 Swiss RC 94 mm – square	C LEGATO H5.2		
	E TREMOLO H6.2		
	G DIRIGENT H7.2		

Passive leaf: vertical lever with rosette

Order number*		Knob	
B-72930-□□-0-□		K1.1 round knob	
□ Cylinder hole – backplate design	□ Lever handle model	□ Material/Finish	
0 Without PC-hole – oval	1 RONDO H1.1	1	Silver/EV1 look
1 Without PC-hole – square	2 RONDO H1.2	3	PVD brass
	7 BELCANTO-Panik H3.1	7	White (RAL 9016)
	8 BELCANTO-Panik H3.2	8	Matt stainless steel
	A OFFICE H4.2		
	C LEGATO H5.2		
	E TREMOLO H6.2		
	G DIRIGENT H7.2		

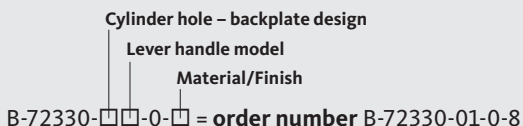
Passive leaf: vertical lever with long backplate

Order number*		Knob	
B-72940-□□-0-□		K1.1 round knob	
□ Cylinder hole – backplate design	□ Lever handle model	□ Material/Finish	
0 Without PC-hole – round	0 RONDO H1.0	1	Silver/EV1 look
1 Without PC-hole – square	1 RONDO H1.1	3	PVD brass
	7 BELCANTO-Panik H3.1	7	White (RAL 9016)
	8 BELCANTO-Panik H3.2	8	Matt stainless steel
	A OFFICE H4.2		
	C LEGATO H5.2		
	E TREMOLO H6.2		
	G DIRIGENT H7.2		

Accessories: spindles and screws see from page 482 – **more information** about the lever sets from page 12

***Ordering example**

Active leaf: entrance set with rosettes = B-72330-□□-0-□
 Cylinder hole – backplate design = PC – oval = 0 [refer to table]
 Lever handle model = RONDO H1.1 = 1 [refer to table]
 Material/Finish = matt stainless steel = 8 [refer to table]



Combination RPZA 210

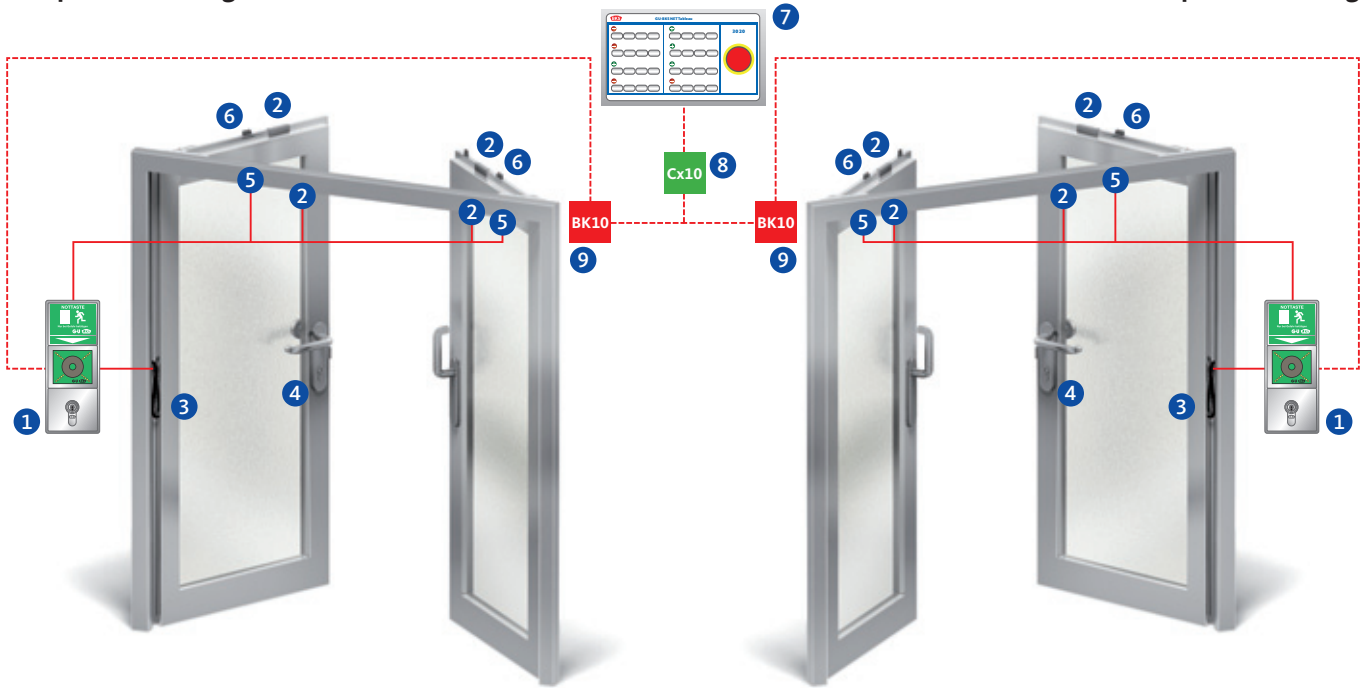
Narrow stile doors, panic function, double-leaf, automatic locking of passive leaf



Escape door locking

Centralised control and visualisation

Escape door locking



Monitoring contacts

Product	Cylinder cam monitoring	Latch monitoring	Deadbolt monitoring	Follower monitoring	Electrically coupled exterior lever handle	Combinable with electric strike
1849	■	-	■	■	-	-

Escape door locking

No.	Product	Description	See page
1	B 5580 09xx	Escape door terminal set with integral power supply unit	488
2	B 5469 0010	Door contact	499
3	6-xxxx-xx-x-x	Cable link	450
4	B 5490 xxxx	Connecting cable for EK lock or lock monitoring device	453
5	B 5465 xxxx	Electric escape door strike	496
6	B 5495 0010	Latch lock	496

Centralised control and visualisation

No.	Product	Description	See page
7	B 5580 0611	BKS-NET panel with pre-installed software, licence included, for max. 8 doors (without collective display)	500
8	B 5580 0421	CU10 building bus coupler (USB interface)	505
9	B 5580 0411	BK10 in-wall bus interface (without frame/cover)	505

Door closer/carrier bar

For detailed order information please refer to our order catalogue for door closers.

Combination RPZAS 170

Narrow stile doors, panic function, double-leaf, automatic locking of passive leaf, SECURITY



Inside

Outside



Functional description

Active leaf

Inside

The active leaf can be opened by the lever handle at any time (panic function). With a SECURITY lock, the door is automatically locked without having to use the key.

Outside

The active leaf can only be opened with the key. With a SECURITY lock, the door is automatically locked without having to use the key.

– Panic function E

Passive leaf

Inside

Active and passive leaf can be opened by the vertical lever at any time (panic function on both leaves). Upon closing, the passive leaf is locked automatically via the vertical rods. If the door is opened by the passive leaf, the carrier bar ensures that the active leaf is carried along far enough to activate the door-leaf coordinator, so the leaves can close in the appropriate sequence. This also guarantees that the two leaves cannot jam, not even with a small clearance. The closing sequence of the door is controlled by the door-leaf coordinator integrated in the closer.

Possible applications

- Emergency exits to EN 179 in areas not accessible to the public
- Suitable for fire and smoke protection doors
- As the fixed knob or push/pull handle is on the outside, access from the outside is only possible using the key
- Suitable for very high entrance doors with a tendency to warp (only by agreement with the door fabricator and in compliance with approvals)
- Automatic multi-point locking
- Enhanced burglar protection and gasket pressure thanks to the additional locking
- Optional combination with electric access control and/or escape door security components (see the following pages)

Recommendation

- Museums
- Airports
- Stadiums
- Administrative areas
- Schools and universities
- Hospitals

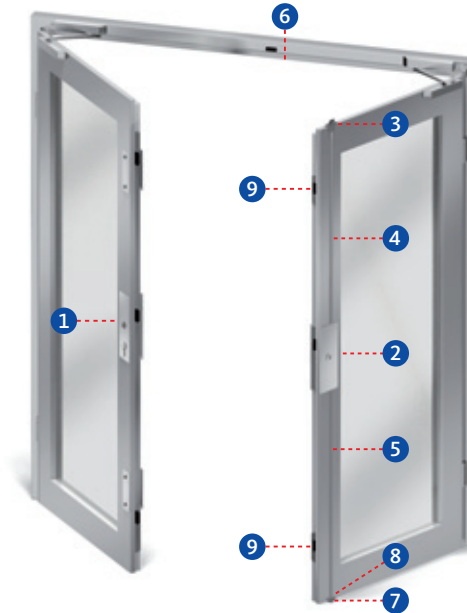
Combination RPZAS 170

Narrow stile doors, panic function, double-leaf, automatic locking of passive leaf, SECURITY



Active leaf:

① = SECURITY panic lock



Passive leaf:

- ② = Shoot-bolt lock
- ③ = Passive leaf control lock
- ④ = Vertical rod
- ⑤ = Solid vertical rod
- ⑥ = Striker
- ⑦ = Floor striker
- ⑧ = Guide plate for vertical rod
- ⑨ = Striker

Active leaf					
No.	Product	Backset	Panic function E Faceplate 24 x 3 x 1750 mm		Additional PC/Swiss RC versions see page
			DIN LH	DIN RH	
1	SECURITY 1919	35	6-38613-13-L-8	6-38613-13-R-8	398
		40	6-38613-14-L-8	6-38613-14-R-8	398
		45	6-38613-05-L-8	6-38613-05-R-8	398

Passive leaf				
No.	Product	Backset	Faceplate 24 x 3 x 270 mm Non-handed	Additional versions see page
2	1990	35	B-19900-01-0-8	388
		40	B-19900-02-0-8	388
		45	B-19900-03-0-8	388
3	1895	30-45	B 1895 0003	412
4	9006	With end plug	B 9006 0013	436
5	9006	Solid	B 9006 0004	436
6	9000	For 1895	B 9000 0490	426
7	9009/B-0028	-	B 9009 0001 or B-00280-20-0-8	438
8	9019	-	B 9019 0001	439
9	Lipped striker	Non-handed	B 9000 0913	428
	Striker	Non-handed	9-43501-03-0-8	427

Combination RPZAS 170

Narrow stile doors, panic function, double-leaf, automatic locking of passive leaf, SECURY



Inside



Outside

Active leaf: entrance set with rosettes

Order number*	Knob		
B-72330-□□-0-□	K1.1 round knob		
B-72530-□□-0-□	K2.1 ball knob		
□ Cylinder hole – backplate design	□ Lever handle model	□ Material/Finish	
0 PC – oval	1 RONDO H1.1	1	Silver/EV1 look
1 PC – square	2 RONDO H1.2	3	PVD brass
2 CHRC – oval	7 BELCANTO-Panik H3.1	7	White (RAL 9016)
3 CHRC – square	8 BELCANTO-Panik H3.2	8	Matt stainless steel
4 Without PC-hole – oval	A OFFICE H4.2		
5 Without PC-hole – square	C LEGATO H5.2		
6 Without rosette escutcheon – oval	E TREMOLO H6.2		
7 Without rosette escutcheon – square	G DIRIGENT H7.2		

Active leaf: entrance set with long backplates

Order number*	Knob		
B-72340-□□-0-□	K1.1 round knob		
B-72540-□□-0-□	K2.1 ball knob		
□ Cylinder hole – backplate design	□ Lever handle model	□ Material/Finish	
4 Without PC-hole – round	1 RONDO H1.1	1	Silver/EV1 look
5 Without PC-hole – square	2 RONDO H1.2	3	PVD brass
6 PC 92 mm – round	7 BELCANTO-Panik H3.1	7	White (RAL 9016)
7 PC 92 mm – square	8 BELCANTO-Panik H3.2	8	Matt stainless steel
8 Swiss RC 94 mm – round	A OFFICE H4.2		
9 Swiss RC 94 mm – square	C LEGATO H5.2		
	E TREMOLO H6.2		
	G DIRIGENT H7.2		

Passive leaf: vertical lever with rosette

Order number*			
B-72930-□□-0-□			
□ Cylinder hole – backplate design	□ Lever handle model	□ Material/Finish	
0 Without PC-hole – oval	1 RONDO H1.1	1	Silver/EV1 look
1 Without PC-hole – square	2 RONDO H1.2	3	PVD brass
	7 BELCANTO-Panik H3.1	7	White (RAL 9016)
	8 BELCANTO-Panik H3.2	8	Matt stainless steel
	A OFFICE H4.2		
	C LEGATO H5.2		
	E TREMOLO H6.2		
	G DIRIGENT H7.2		

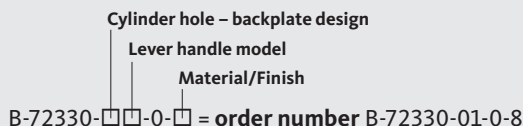
Passive leaf: vertical lever with long backplate

Order number*			
B-72940-□□-0-□			
□ Cylinder hole – backplate design	□ Lever handle model	□ Material/Finish	
0 Without PC-hole – round	0 RONDO H1.0	1	Silver/EV1 look
1 Without PC-hole – square	1 RONDO H1.1	3	PVD brass
	7 BELCANTO-Panik H3.1	7	White (RAL 9016)
	8 BELCANTO-Panik H3.2	8	Matt stainless steel
	A OFFICE H4.2		
	C LEGATO H5.2		
	E TREMOLO H6.2		
	G DIRIGENT H7.2		

Accessories: spindles and screws see from page 482 – more information about the lever sets from page 12

*Ordering example

Active leaf: entrance set with rosettes = B-72330-□□-0-□
 Cylinder hole – backplate design = PC – oval = 0 [refer to table]
 Lever handle model = RONDO H1.1 = 1 [refer to table]
 Material/Finish = matt stainless steel = 8 [refer to table]



Combination RPZAS 170

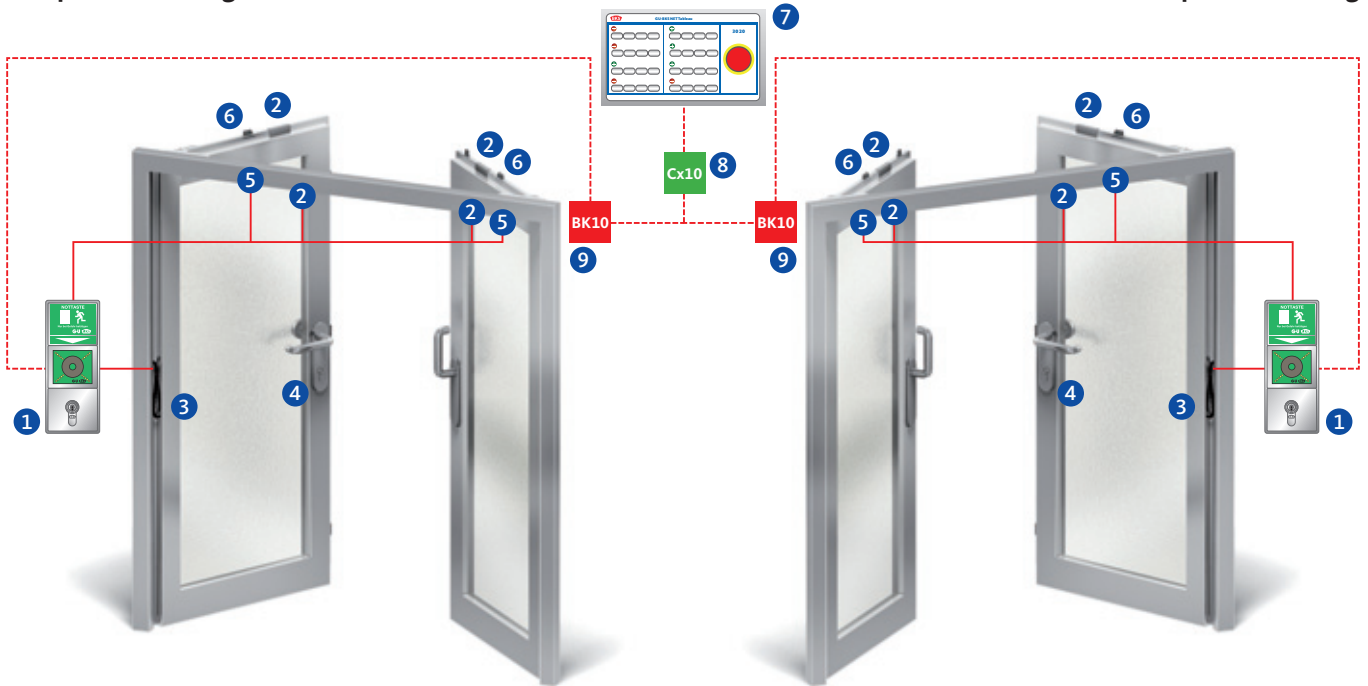
Narrow stile doors, panic function, double-leaf, automatic locking of passive leaf, SECURY



Escape door locking

Centralised control and visualisation

Escape door locking



Monitoring contacts

Product	Cylinder cam monitoring	Latch monitoring	Deadbolt monitoring	Follower monitoring	Electrically coupled exterior lever handle	Combinable with electric strike	With A-opener (motor)
6-38613-xx-x	■	■	-	■	-	-	■

Escape door locking

No.	Product	Description	See page
1	B 5580 09xx	Escape door terminal set with integral power supply unit	488
2	B 5469 0010	Door contact	499
3	6-xxxxx-xx-x-x	Cable link	450
4	B 5490 xxxx	Connecting cable for EK lock or lock monitoring device	453
5	B 5465 xxxx	Electric escape door strike	496
6	B 5495 0010	Latch lock	496

Centralised control and visualisation

No.	Product	Description	See page
7	B 5580 0611	BKS-NET panel with pre-installed software, licence included, for max. 8 doors (without collective display)	500
8	B 5580 0421	CU10 building bus coupler (USB interface)	505
9	B 5580 0411	BK10 in-wall bus interface (without frame/cover)	505

Door closer/carrier bar

For detailed order information please refer to our order catalogue for door closers.

Combination RPZA 115

Narrow stile doors, panic function, double-leaf, automatic locking of passive leaf



Inside

Outside



Functional description

Active leaf

Inside

The active leaf can be opened by the push bar at any time (panic function). With series 18, the door is locked with the key. With series 19, the door locks automatically without a key.

Outside

The active leaf is opened using the key and lever handle. With series 18, the door is locked with the key. With series 19, the door locks automatically without a key.

- Panic function B
- Panic function C
- Panic function D (not with series 19)

Passive leaf

Inside

Active and passive leaf can be opened with the push bar at any time (panic function on both leaves). Upon closing, the passive leaf is locked automatically via the vertical rods. If the door is opened by the passive leaf, the carrier bar ensures that the active leaf is carried along far enough to activate the door-leaf coordinator, so the leaves can close in the appropriate sequence. This also guarantees that the two leaves cannot jam, not even with a small clearance. The closing sequence of the door is controlled by the door-leaf coordinator integrated in the closer.

Possible applications

- Escape doors to EN 1125 in public facilities
- Suitable for fire and smoke protection doors
- As the lever handle is on the outside, the door can be used as a connecting door from both sides depending on the particular panic function
- Optional combination with electric access control and/or escape door security components (see the following pages)

Recommendation

- Entrance doors to administrative and office buildings
- Homes for the elderly
- Secondary entrance doors
- Shopping centres
- Airports
- Stadiums
- Administrative areas

Combination RPZA 115

Narrow stile doors, panic function, double-leaf, automatic locking of passive leaf



Active leaf:

1 = Panic lock



Passive leaf:

- 2 = Shoot-bolt lock
- 3 = Passive-leaf control lock
- 4 = Vertical rod
- 5 = Solid vertical rod
- 6 = Striker
- 7 = Floor striker
- 8 = Guide plate for vertical rod

Active leaf									
No.	Product	Backset	Panic function B Faceplate 24 x 3 x 270 mm Non-handed	Panic function C Faceplate 24 x 3 x 270 mm Non-handed	Panic function D Faceplate 24 x 3 x 270 mm Non-handed	Additional PC/ Swiss RC versions see page			
1	1821 B 1823 C 1825 D	35	B-18210-01-L-8	B-18230-02-L-8	B-18250-01-L-8	284 / 288 / 292			
		40	B-18210-02-L-8	B-18230-03-L-8	B-18250-02-L-8	284 / 288 / 292			
		45	B-18210-03-L-8	B-18230-04-L-8	B-18250-03-L-8	284 / 288 / 292			
	Product	Backset	Latch lever function Faceplate 24 x 3 x 270 mm Non-handed		U-faceplate 24 x 6 x 2 x 268 mm Non-handed		Additional PC/ Swiss RC versions see page		
			35	B-19710-00-U-8	B-19710-11-U-8		382		
			40	B-19710-02-U-8	B-19710-13-U-8		382		
	1971 Electrically coupled	Backset	45	B-19710-04-U-8	B-19710-14-U-8		382		
			Product	Backset	Panic function B Faceplate 24 x 3 x 270 mm Non-handed		U-faceplate 24 x 6 x 2 x 268 mm Non-handed	Panic function C Faceplate 24 x 3 x 270 mm Non-handed	Additional PC/ Swiss RC versions see page
					35	B-19110-00-U-8	B-19110-10-U-8	B-19130-00-U-8	362 / 366
	40	B-19110-01-U-8			B-19110-11-U-8	B-19130-01-U-8	362 / 366		
	1911 B 1913 C	Backset	45	B-19110-02-U-8	B-19110-12-U-8	B-19130-02-U-8	362 / 366		

Passive leaf							
No.	Product	Backset	Faceplate 24 x 3 x 310 mm		Additional versions see page		
			DIN LH	DIN RH			
2	1793 prepared for electric strike	35	B 1793 6001	B 1793 6000	278		
		40	B 1793 6005	B 1793 6004	278		
		45	B 1793 6007	B 1793 6006	278		
	Product	Backset	Faceplate 24 x 3 x 270 mm Non-handed			Additional versions see page	
			35	B-18900-01-0-8	B-19900-01-0-8	336	388
			40	B-18900-02-0-8	B-19900-02-0-8	336	388
1890 for series 18	1990 for series 19	45	B-18900-03-0-8	B-19900-03-0-8	336	388	
3	1895	30-45	B 1895 0003		412		
4	9006	With end plug	B 9006 0013		436		
5	9006	Solid	B 9006 0004		436		
6	9000	For 1895	B 9000 0490		426		
7	9009/B-0028	-	B 9009 0001 or B-00280-20-0-8		438		
8	9019	-	B 9019 0001		439		

Combination RPZA 115

Narrow stile doors, panic function, double-leaf, automatic locking of passive leaf



Inside



Outside

Active leaf: half lever set with rosettes

Order number*			
B-72130-□□-0-□			
□ Cylinder hole – backplate design	□ Lever handle model	□ Material/Finish	
0 PC – oval	1 RONDO H1.1	1	Silver/EV1 look
1 PC – square	2 RONDO H1.2	3	PVD brass
2 CHRC – oval	7 BELCANTO-Panik H3.1	7	White (RAL 9016)
3 CHRC – square	8 BELCANTO-Panik H3.2	8	Matt stainless steel
4 Without PC-hole – oval	A OFFICE H4.2		
5 Without PC-hole – square	C LEGATO H5.2		
6 Without rosette escutcheon – oval	E TREMOLO H6.2		
7 Without rosette escutcheon – square	G DIRIGENT H7.2		

Active leaf: half lever set with long backplate

Order number*			
B-72140-□□-0-□			
□ Cylinder hole – backplate design	□ Lever handle model	□ Material/Finish	
4 Without PC-hole – round	1 RONDO H1.1	1	Silver/EV1 look
5 Without PC-hole – square	2 RONDO H1.2	3	PVD brass
6 PC 92 mm – round	7 BELCANTO-Panik H3.1	7	White (RAL 9016)
7 PC 92 mm – square	8 BELCANTO-Panik H3.2	8	Matt stainless steel
8 Swiss RC 94 mm – round	A OFFICE H4.2		
9 Swiss RC 94 mm – square	C LEGATO H5.2		
	E TREMOLO H6.2		
	G DIRIGENT H7.2		

Active leaf: panic exit device according to EN 1125

Locking component	Cylinder hole	Aluminium F1	Matt stainless steel	Page
Push bar	PC 92 mm	B-74000-30-0-1N	B-74000-30-0-8	462
	Swiss RC 94 mm	B-74000-40-0-1N	B-74000-40-0-8	462
Crossbar	Length	Aluminium F1	Matt stainless steel	Page
	1150 mm	B 7100 4274	B 7100 4204	462
Locking component	Length	Aluminium F1	Matt stainless steel	Page
Touch bar	1158 mm	B-74410-02-0-1	B-74410-02-0-8	458

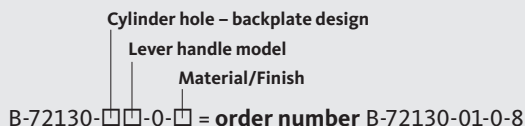
Passive leaf: panic exit device according to EN 1125

Locking component	Cylinder hole	Aluminium F1	Matt stainless steel	Page
Push bar	Without PC-hole	B-74000-00-0-1N	B-74000-00-0-8	462
Crossbar	Length	Aluminium F1	Matt stainless steel	Page
	1150 mm	B 7100 4274	B 7100 4204	462
Locking component	Length	Aluminium F1	Matt stainless steel	Page
Touch bar	1158 mm	B-74410-02-0-1	B-74410-02-0-8	458

Accessories: spindles and screws see from page 482 – more information about the lever sets from page 12

*Ordering example

Active leaf: half lever set with rosettes = B-72130-□□-0-□
 Cylinder hole – backplate design = PC – oval = 0 [refer to table]
 Lever handle model = RONDO H1.1 = 1 [refer to table]
 Material/Finish = matt stainless steel = 8 [refer to table]



Combination RPZA 115

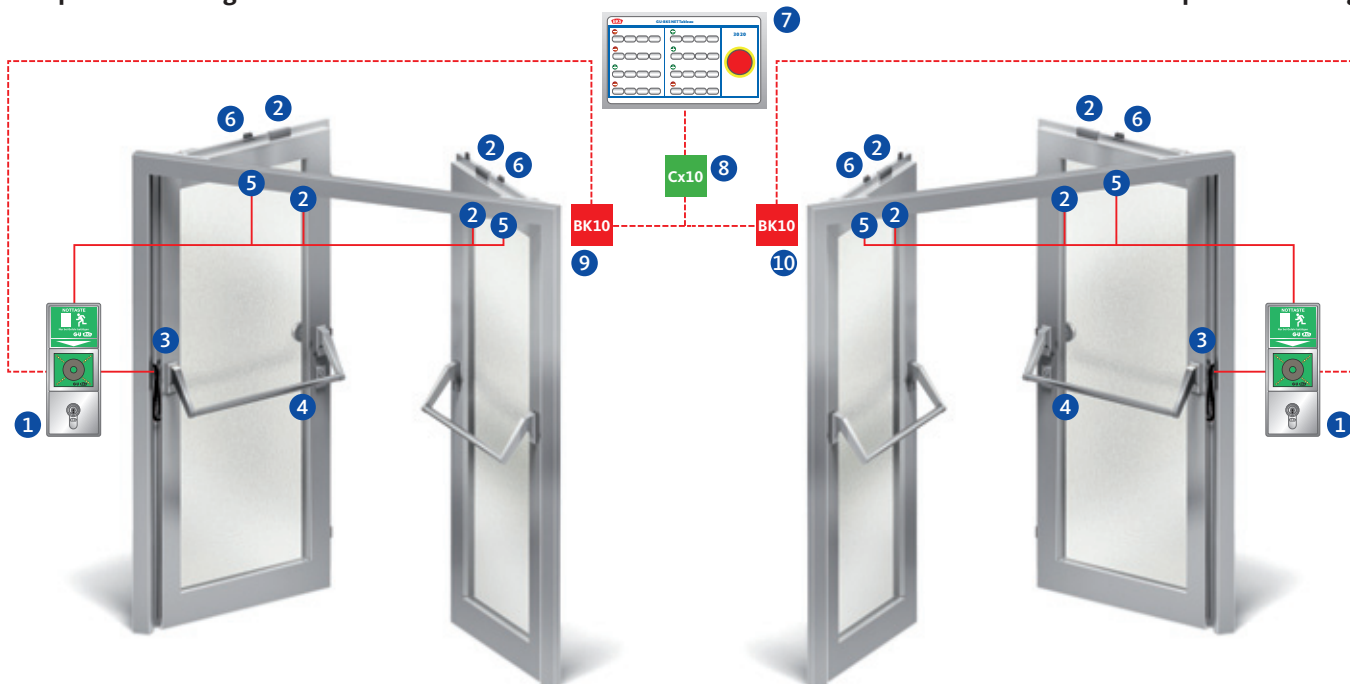
Narrow stile doors, panic function, double-leaf, automatic locking of passive leaf



Escape door locking

Centralised control and visualisation

Escape door locking



Monitoring contacts

Product	Cylinder cam monitoring	Latch monitoring	Deadbolt monitoring	Follower monitoring	Electrically coupled exterior lever handle	Combinable with electric strike
1821/1823/1825	■	■	■	■	–	■
1911	■	■	–	■	–	–
1913	■	■	–	■	–	–
1971	Including	Including	–	Including	■	–

Escape door locking

No.	Product	Description	See page
1	B 5580 09xx	Escape door terminal set with integral power supply unit	488
2	B 5469 0010	Door contact	499
3	6-xxxx-xx-x-x	Cable link	450
4	B 5490 xxxx	Connecting cable for EK lock or lock monitoring device	453
5	B 5465 xxxx	Electric escape door strike	496
6	B 5495 0010	Latch lock	496

Centralised control and visualisation

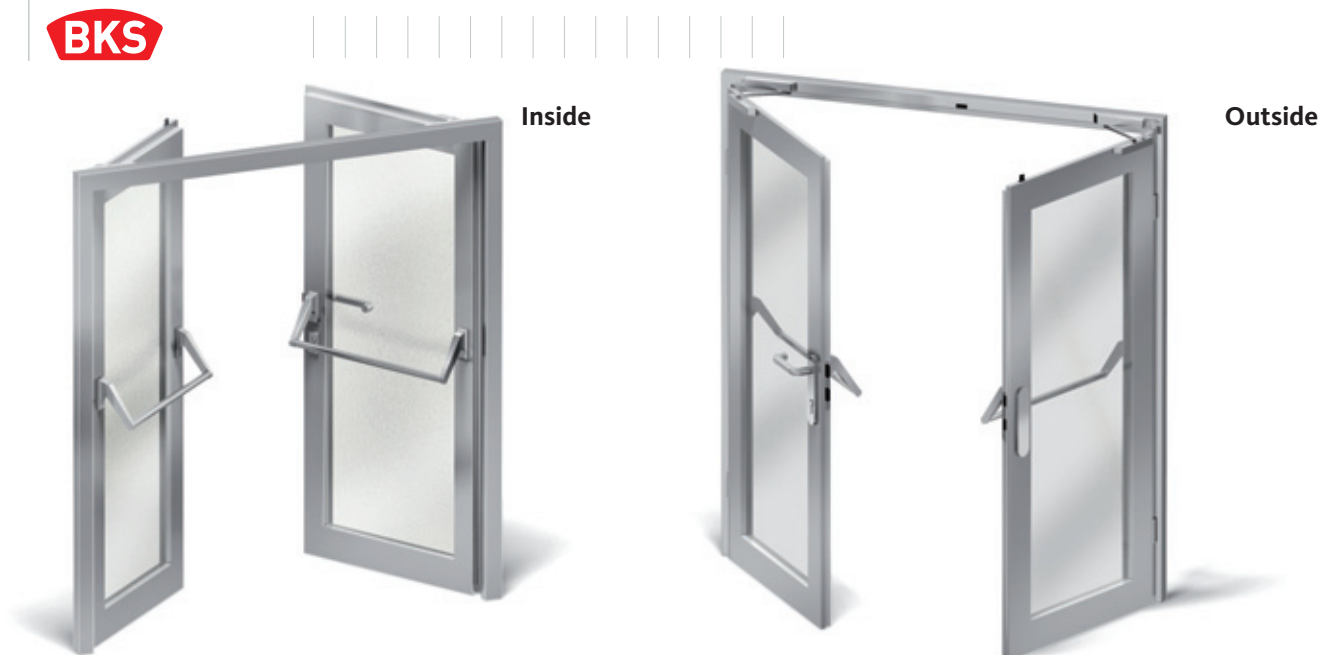
No.	Product	Description	See page
7	B 5580 0611	BKS-NET panel with pre-installed software, licence included, for max. 8 doors (without collective display)	500
8	B 5580 0421	CU10 building bus coupler (USB interface)	505
9	B 5580 0411	BK10 in-wall bus interface (without frame/cover)	505

Door closer/carrier bar

For detailed order information please refer to our order catalogue for door closers.

Combination RPZA 115-M

Narrow stile doors, panic function, double-leaf, automatic locking of passive leaf, motor-driven opening



Functional description

Active leaf

Inside

The active leaf can be opened by the push bar at any time (panic function). With series 18, the door is locked with the key. With series 19, the door locks automatically without a key.

Outside

The active leaf is opened using the key and lever handle. With series 18, the door is locked with the key. With series 19, the door locks automatically without a key.

- Panic function B
- Panic function C
- Panic function D (not with series 19)

Passive leaf

Inside

Active and passive leaf can be opened with the push bar at any time (panic function on both leaves). Upon closing, the passive leaf is locked automatically via the vertical rods. If the door is opened by the passive leaf, the carrier bar ensures that the active leaf is carried along far enough to activate the door-leaf coordinator, so the leaves can close in the appropriate sequence. This also guarantees that the two leaves cannot jam, not even with a small clearance. The closing sequence of the door is controlled by the door-leaf coordinator integrated in the closer.

Possible applications

- Escape doors to EN 1125 in public areas, in conjunction with a swing-door drive
- Suitable for fire and smoke protection doors
- As the lever handle is on the outside, the door can be used as a connecting door from both sides depending on the particular panic function
- Optional combination with electric access control and/or escape door security components (see the following pages)

Recommendation

- Entrance doors to administrative and office buildings
- Homes for the elderly
- Shopping centres
- Airports
- Stadiums
- Administrative areas

Combination RPZA 115-M

Narrow stile doors, panic function, double-leaf, automatic locking of passive leaf, motor-driven opening



Active leaf:

① = Panic lock



Passive leaf:

- ② = Motor-driven shoot-bolt lock
- ③ = Passive-leaf control lock
- ④ = Vertical rod
- ⑤ = Solid vertical rod
- ⑥ = Striker
- ⑦ = Floor striker
- ⑧ = Guide plate for vertical rod

Active leaf

No.	Product	Backset	Panic function B Faceplate 24 x 3 x 270 mm Non-handed	Panic function C Faceplate 24 x 3 x 270 mm Non-handed	Panic function D Faceplate 24 x 3 x 270 mm Non-handed	Additional PC/Swiss RC versions see page			
1	1821 B 1823 C 1825 D	35	B-18210-01-L-8	B-18230-02-L-8	B-18250-01-L-8	284 / 288 / 292			
		40	B-18210-02-L-8	B-18230-03-L-8	B-18250-02-L-8	284 / 288 / 292			
		45	B-18210-03-L-8	B-18230-04-L-8	B-18250-03-L-8	284 / 288 / 292			
	Product	Backset	Latch lever function Faceplate 24 x 3 x 270 mm Non-handed		U-faceplate 24 x 6 x 2 x 268 mm Non-handed		Additional PC/Swiss RC versions see page		
			35	B-19710-00-U-8	B-19710-11-U-8		382		
			40	B-19710-02-U-8	B-19710-13-U-8		382		
	1971 Electrically coupled	Backset	45	B-19710-04-U-8	B-19710-14-U-8		382		
			Product	Backset	Panic function B Faceplate 24 x 3 x 270 mm Non-handed		U-faceplate 24 x 6 x 2 x 268 mm Non-handed	Panic function C Faceplate 24 x 3 x 270 mm Non-handed	Additional PC/Swiss RC versions see page
					35	B-19110-00-U-8	B-19110-10-U-8	B-19130-00-U-8	362 / 366
	40	B-19110-01-U-8			B-19110-11-U-8	B-19130-01-U-8	362 / 366		
	1911 B 1913 C	Backset	45	B-19110-02-U-8	B-19110-12-U-8	B-19130-02-U-8	362 / 366		

Passive leaf

No.	Product	Backset	Faceplate 24 x 3 x 310 mm Non-handed	Non-handed	Additional versions see page	
2	1893 for series 18	1993 for series 19	35	B-18930-00-0-8	B-19930-00-0-8	342 390
		40	B-18930-01-0-8	B-19930-01-0-8	342 390	
		45	B-18930-02-0-8	B-19930-02-0-8	342 390	
3	1895	30-45	B 1895 0003		412	
4	9006	With end plug	B 9006 0013		436	
5	9006	Solid	B 9006 0004		436	
6	9000	For 1895	B 9000 0490		426	
7	9009/B-0028	-	B 9009 0001 or B-00280-20-0-8		438	
8	9019	-	B 9019 0001		439	

Combination RPZA 115-M

Narrow stile doors, panic function, double-leaf, automatic locking of passive leaf, motor-driven opening



Active leaf: half lever set with rosettes

Order number*

B-72130-□□-0-□

□ Cylinder hole – backplate design	□ Lever handle model	□ Material/Finish
0 PC – oval	1 RONDO H1.1	1 Silver/EV1 look
1 PC – square	2 RONDO H1.2	3 PVD brass
2 CHRC – oval	7 BELCANTO-Panik H3.1	7 White (RAL 9016)
3 CHRC – square	8 BELCANTO-Panik H3.2	8 Matt stainless steel
4 Without PC-hole – oval	A OFFICE H4.2	
5 Without PC-hole – square	C LEGATO H5.2	
6 Without rosette escutcheon – oval	E TREMOLO H6.2	
7 Without rosette escutcheon – square	G DIRIGENT H7.2	

Active leaf: half lever set with long backplate

Order number*

B-72140-□□-0-□

□ Cylinder hole – backplate design	□ Lever handle model	□ Material/Finish
4 Without PC-hole – round	1 RONDO H1.1	1 Silver/EV1 look
5 Without PC-hole – square	2 RONDO H1.2	3 PVD brass
6 PC 92 mm – round	7 BELCANTO-Panik H3.1	7 White (RAL 9016)
7 PC 92 mm – square	8 BELCANTO-Panik H3.2	8 Matt stainless steel
8 Swiss RC 94 mm – round	A OFFICE H4.2	
9 Swiss RC 94 mm – square	C LEGATO H5.2	
	E TREMOLO H6.2	
	G DIRIGENT H7.2	

Active leaf: panic exit device according to EN 1125

Locking component	Cylinder hole	Aluminium F1	Matt stainless steel	Page
Push bar	PC 92 mm	B-74000-30-0-1N	B-74000-30-0-8	462
	Swiss RC 94 mm	B-74000-40-0-1N	B-74000-40-0-8	462
Crossbar	Length	Aluminium F1	Matt stainless steel	Page
	1150 mm	B 7100 4274	B 7100 4204	462
Locking component	Length	Aluminium F1	Matt stainless steel	Page
Touch bar	1158 mm	B-74410-02-0-1	B-74410-02-0-8	458

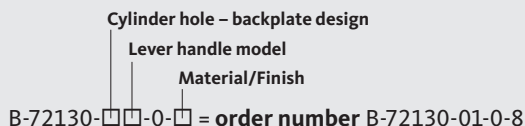
Passive leaf: panic exit device according to EN 1125

Locking component	Cylinder hole	Aluminium F1	Matt stainless steel	Page
Push bar	Without PC-hole	B-74000-00-0-1N	B-74000-00-0-8	462
Crossbar	Length	Aluminium F1	Matt stainless steel	Page
	1150 mm	B 7100 4274	B 7100 4204	462
Locking component	Length	Aluminium F1	Matt stainless steel	Page
Touch bar	1158 mm	B-74410-02-0-1	B-74410-02-0-8	458

Accessories: spindles and screws see from page 482 – **more information** about the lever sets from page 12

***Ordering example**

Active leaf: half lever set with rosettes = B-72130-□□-0-□
 Cylinder hole – backplate design = PC – oval = 0 [refer to table]
 Lever handle model = RONDO H1.1 = 1 [refer to table]
 Material/Finish = matt stainless steel = 8 [refer to table]



Combination RPZA 115-M

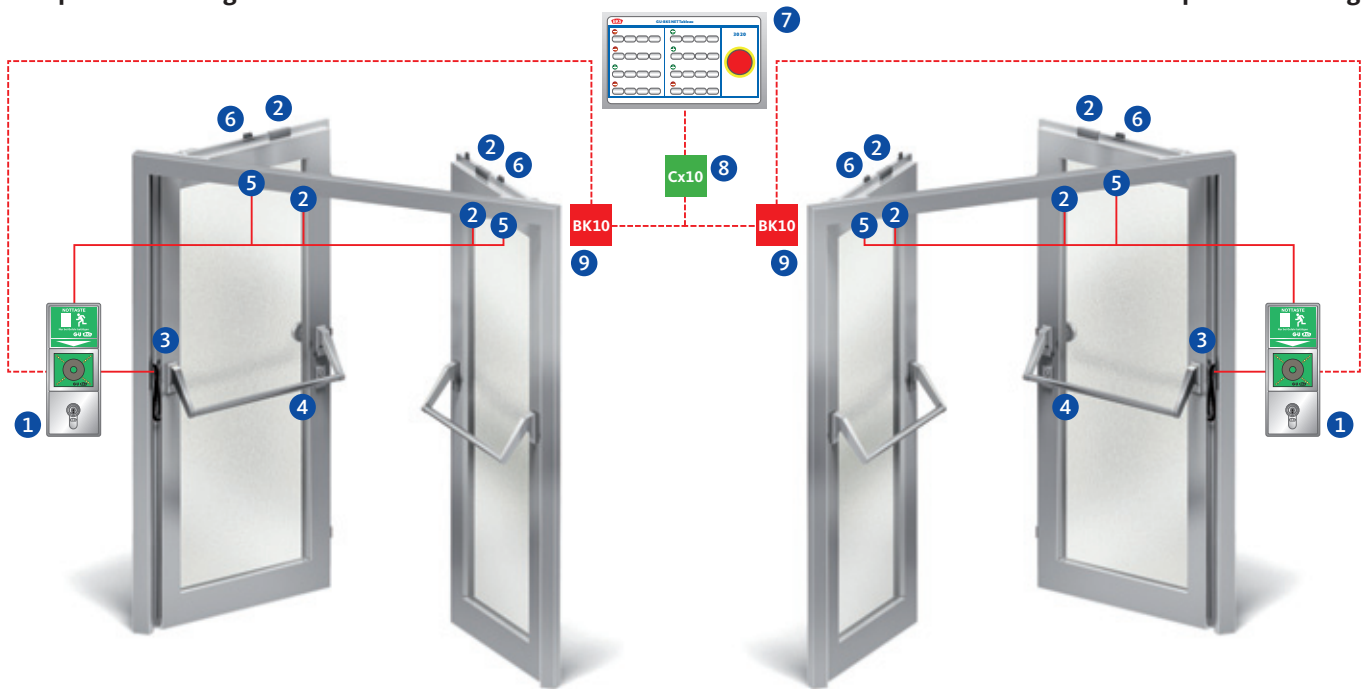
Narrow stile doors, panic function, double-leaf, automatic locking of passive leaf, motor-driven opening



Escape door locking

Centralised control and visualisation

Escape door locking



Monitoring contacts

Product	Cylinder cam monitoring	Latch monitoring	Deadbolt monitoring	Follower monitoring	Electrically coupled exterior lever handle	Combinable with electric strike
1821/1823/1825	■	■	■	■	–	■
1911	■	■	–	■	–	–
1913	■	■	–	■	–	–
1971	Including	Including	–	Including	■	–

Escape door locking

No.	Product	Description	See page
1	B 5580 09xx	Escape door terminal set with integral power supply unit	488
2	B 5469 0010	Door contact	499
3	6-xxxx-xx-x-x	Cable link	450
4	B 5490 xxxx	Connecting cable for EK lock or lock monitoring device	453
5	B 5465 xxxx	Electric escape door strike	496
6	B 5495 0010	Latch lock	496

Centralised control and visualisation

No.	Product	Description	See page
7	B 5580 0611	BKS-NET panel with pre-installed software, licence included, for max. 8 doors (without collective display)	500
8	B 5580 0421	CU10 building bus coupler (USB interface)	505
9	B 5580 0411	BK10 in-wall bus interface (without frame/cover)	505

Door closer/carrier bar

For detailed order information please refer to our order catalogue for door closers.

Combination RPZO 115

Narrow stile doors, panic function, double-leaf, active leaf with top-locking



Functional description

Active leaf

Inside

The active leaf can be opened by the push bar at any time (panic function). With series 18, the door is locked with the key. With series 19, the door locks automatically without a key.

Outside

The active leaf is opened using the key and lever handle. With series 18, the door is locked with the key. With series 19, the door locks automatically without a key.

- Panic function B
- Panic function C
- Panic function D (not with series 19)

Passive leaf

Inside

Active and passive leaf can be opened with the push bar at any time (panic function on both leaves). Upon closing, the passive leaf is locked automatically via the vertical rods. If the door is opened by the passive leaf, the carrier bar ensures that the active leaf is carried along far enough to activate the door-leaf coordinator, so the leaves can close in the appropriate sequence. This also guarantees that the two leaves cannot jam, not even with a small clearance. The closing sequence of the door is controlled by the door-leaf coordinator integrated in the closer.

Possible applications

- Escape doors to EN 1125 in public facilities
- Suitable for fire and smoke protection doors
- As the lever handle is on the outside, the door can be used as a connecting door from both sides depending on the particular panic function
- Suitable for very high entrance doors with a tendency to warp (only by agreement with the door fabricator and in compliance with approvals)
- Enhanced burglar protection and gasket pressure thanks to the additional top-locking feature
- Optional combination with electric access control and/or escape door security components (see the following pages)

Recommendation

- Hallway doors in office buildings
- Homes for the elderly
- Secondary entrance doors
- Shopping centres
- Airports
- Stadiums
- Administrative areas

Combination RPZO 115

Narrow stile doors, panic function, double-leaf, active leaf with top-locking



Active leaf:

- 1 = Panic lock with top-locking feature
- 2 = Spring-operated top latch
- 3 = Vertical rod/spring-loaded vertical rod
- 8 = Striker

Passive leaf:

- 4 = Shoot-bolt lock
- 5 = Passive-leaf control lock
- 6 = Vertical rod
- 7 = Solid vertical rod
- 8 = Striker
- 9 = Floor striker
- 10 = Guide plate for vertical rod

Active leaf								
No.	Product	Backset	Panic function B Faceplate 24 x 3 x 270 mm Non-handed	Panic function C Faceplate 24 x 3 x 270 mm (320 mm) Non-handed	Panic function D Faceplate 24 x 3 x 270 mm Non-handed	Additional PC/Swiss RC versions see page		
1	1831 B 1833 C 1835 D	35	B-18310-01-L-8	B-18330-01-L-8	B-18350-01-L-8	300 / 304 / 308		
		40	B-18310-02-L-8	B-18330-02-L-8	B-18350-02-L-8	300 / 304 / 308		
		45	B-18310-03-L-8	B-18330-03-L-8	B-18350-03-L-8	300 / 304 / 308		
	Product	Backset	Latch lever function Faceplate 24 x 3 x 320 mm Non-handed				Additional PC/Swiss RC versions see page	
			35	B-19810-00-U-8			386	
			40	B-19810-02-U-8			386	
	1981 Electrically coupled	45	B-19810-03-U-8				386	
		Product	Backset	Panic function B Faceplate 24 x 3 x 270 mm Non-handed	U-faceplate 24 x 6 x 2 x 268 mm Non-handed	Panic function C Faceplate 24 x 3 x 270 mm Non-handed	U-faceplate 24 x 6 x 2 x 268 mm Non-handed	Additional PC/Swiss RC versions see page
				1901 B 1903 C	35	B-19010-00-U-8	B-19010-06-U-8	B-19030-00-U-8
	40	B-19010-01-U-8	B-19010-07-U-8	B-19030-01-U-8	B-19030-07-U-8	350 / 354		
	45	B-19010-02-U-8	B-19010-08-U-8	B-19030-02-U-8	B-19030-08-U-8	350 / 354		
	2	1795	35, 40, 45	B 1795 0001			411	
3	9006 for series 18/19	35, 40, 45	Rod length	1385 mm	B 9006 0022	436		
				1500 mm	B 9006 0013	436		
	9036 for series 19 EK	35, 40, 45	For door heights up to:	2250 mm	B 9036 0001	437		
				2500 mm	B 9036 0002	437		

Passive leaf							
No.	Product	Backset	Faceplate 24 x 3 x 270 mm		Additional versions see page		
			Non-handed	Non-handed			
4	1890 for series 18	1990 for series 19	35	B-18900-01-0-8	B-19900-01-0-8	336	388
			40	B-18900-02-0-8	B-19900-02-0-8	336	388
			45	B-18900-03-0-8	B-19900-03-0-8	336	388
5	1895	30-45	B 1895 0003		412		
6	9006	With end plug	B 9006 0013		436		
7	9006	Solid	B 9006 0004		436		
8	9000	For 1895/1795	B 9000 0490 and B 9000 0567		426		
9	9009/B-0028	-	B 9009 0001 or B-00280-20-0-8		438		
10	9019	-	B 9019 0001		439		

Combination RPZO 115

Narrow stile doors, panic function, double-leaf, active leaf with top-locking



Inside



Outside

Active leaf: half lever set with rosettes

Order number*			
B-72130-□□-0-□			
□ Cylinder hole – backplate design	□ Lever handle model	□ Material/Finish	
0 PC – oval	1 RONDO H1.1	1	Silver/EV1 look
1 PC – square	2 RONDO H1.2	3	PVD brass
2 CHRC – oval	7 BELCANTO-Panik H3.1	7	White (RAL 9016)
3 CHRC – square	8 BELCANTO-Panik H3.2	8	Matt stainless steel
4 Without PC-hole – oval	A OFFICE H4.2		
5 Without PC-hole – square	C LEGATO H5.2		
6 Without rosette escutcheon – oval	E TREMOLO H6.2		
7 Without rosette escutcheon – square	G DIRIGENT H7.2		

Active leaf: half lever set with long backplate

Order number*			
B-72140-□□-0-□			
□ Cylinder hole – backplate design	□ Lever handle model	□ Material/Finish	
4 Without PC-hole – round	1 RONDO H1.1	1	Silver/EV1 look
5 Without PC-hole – square	2 RONDO H1.2	3	PVD brass
6 PC 92 mm – round	7 BELCANTO-Panik H3.1	7	White (RAL 9016)
7 PC 92 mm – square	8 BELCANTO-Panik H3.2	8	Matt stainless steel
8 Swiss RC 94 mm – round	A OFFICE H4.2		
9 Swiss RC 94 mm – square	C LEGATO H5.2		
	E TREMOLO H6.2		
	G DIRIGENT H7.2		

Active leaf: panic exit device according to EN 1125

Locking component	Cylinder hole	Aluminium F1	Matt stainless steel	Page
Push bar	PC 92 mm	B-74000-30-0-1N	B-74000-30-0-8	462
	Swiss RC 94 mm	B-74000-40-0-1N	B-74000-40-0-8	462
Crossbar	Length	Aluminium F1	Matt stainless steel	Page
	1150 mm	B 7100 4274	B 7100 4204	462
Locking component	Length	Aluminium F1	Matt stainless steel	Page
Touch bar	1158 mm	B-74410-02-0-1	B-74410-02-0-8	458

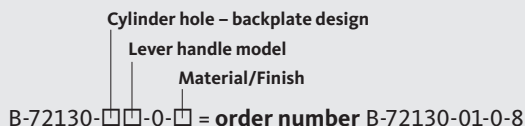
Passive leaf: panic exit device according to EN 1125

Locking component	Cylinder hole	Aluminium F1	Matt stainless steel	Page
Push bar	Without PC-hole	B-74000-00-0-1N	B-74000-00-0-8	462
Crossbar	Length	Aluminium F1	Matt stainless steel	Page
	1150 mm	B 7100 4274	B 7100 4204	462
Locking component	Length	Aluminium F1	Matt stainless steel	Page
Touch bar	1158 mm	B-74410-02-0-1	B-74410-02-0-8	458

Accessories: spindles and screws see from page 482 – **more information** about the lever sets from page 12

*Ordering example

Active leaf: half lever set with rosettes = B-72130-□□-0-□
 Cylinder hole – backplate design = PC – oval = 0 [refer to table]
 Lever handle model RONDO H1.1 = 1 [refer to table]
 Material/Finish = matt stainless steel = 8 [refer to table]



Combination RPZO 115

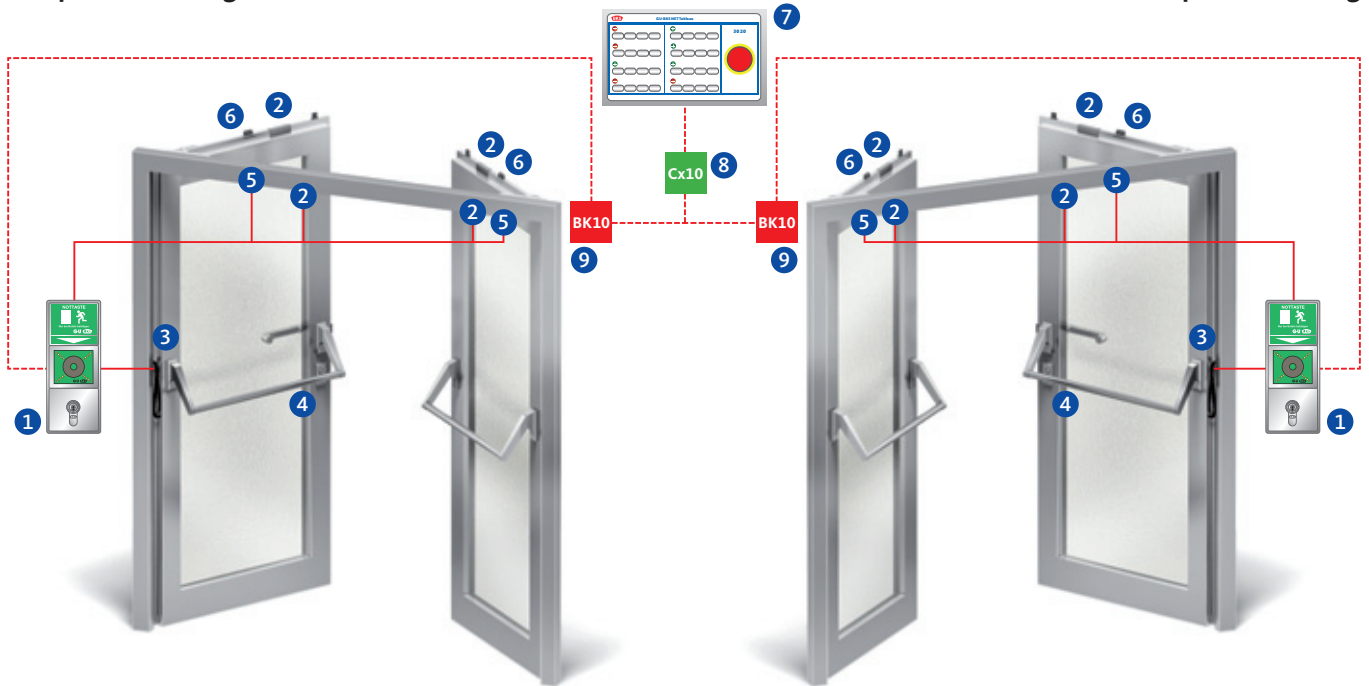
Narrow stile doors, panic function, double-leaf, active leaf with top-locking



Escape door locking

Centralised control and visualisation

Escape door locking



Monitoring contacts

Product	Cylinder cam monitoring	Latch monitoring	Deadbolt monitoring	Follower monitoring	Electrically coupled exterior lever handle	Combinable with electric strike
1831/1833/1835	■	■	■	■	–	■
1901/1903	■	■	–	■	–	–

Escape door locking

No.	Product	Description	See page
1	B 5580 09xx	Escape door terminal set with integral power supply unit	488
2	B 5469 0010	Door contact	499
3	6-xxxx-xx-x-x	Cable link	450
4	B 5490 xxxx	Connecting cable for EK lock or lock monitoring device	453
5	B 5465 xxxx	Electric escape door strike	496
6	B 5495 0010	Latch lock	496

Centralised control and visualisation

No.	Product	Description	See page
7	B 5580 0611	BKS-NET panel with pre-installed software, licence included, for max. 8 doors (without collective display)	500
8	B 5580 0421	CU10 building bus coupler (USB interface)	505
9	B 5580 0411	BK10 in-wall bus interface (without frame/cover)	505

Door closer/carrier bar

For detailed order information please refer to our order catalogue for door closers.

Combination RPZAS 115

Narrow stile doors, panic function, double-leaf, automatic locking of passive leaf, SECURITY



Inside

Outside



Functional description

Active leaf

Inside

The active leaf can be opened by the push bar at any time (panic function). With a SECURITY lock, the door locks automatically without having to use the key.

Outside

The active leaf is opened using the key and lever handle. With a SECURITY lock, the door locks automatically without having to use the key.

- Panic function B
- Panic function C

Passive leaf

Inside

Active and passive leaf can be opened with the push bar at any time (panic function on both leaves). Upon closing, the passive leaf is locked automatically via the vertical rods. If the door is opened by the passive leaf, the carrier bar ensures that the active leaf is carried along far enough to activate the door-leaf coordinator, so the leaves can close in the appropriate sequence. This also guarantees that the two leaves cannot jam, not even with a small clearance. The closing sequence of the door is controlled by the door-leaf coordinator integrated in the door closer.

Possible applications

- Escape door to EN 1125 in public facilities
- Suitable for fire and smoke protection doors
- As the lever handle is on the outside, the door can be used as a connecting door from both sides depending on the particular panic function
- Suitable for very high entrance doors with a tendency to warp (only by agreement with the door fabricator and in compliance with approvals)
- Automatic multi-point locking
- Enhanced burglar protection and gasket pressure thanks to the additional locking
- Optional combination with electric access control and/or escape door security components (see the following pages)

Recommendation

- Entrance doors to administrative and office buildings
- Homes for the elderly
- Service rooms
- Museums
- Airports
- Stadiums
- Administrative areas

Combination RPZAS 115

Narrow stile doors, panic function, double-leaf, automatic locking of passive leaf, SECURITY



Active leaf:

1 = SECURITY panic lock



Passive leaf:

- 2 = Shoot-bolt lock
- 3 = Passive leaf control lock
- 4 = Vertical rod
- 5 = Solid vertical rod
- 6 = Striker
- 7 = Floor striker
- 8 = Guide plate for vertical rod
- 9 = Striker

Active leaf					
No.	Product	Backset	Panic function B Faceplate 24 x 3 x 1750 mm		Additional PC/Swiss RC versions see page
			DIN LH	DIN RH	
1	SECURITY 1911	35	6-38611-11-L-8	6-38611-11-R-8	394
		40	6-38611-12-L-8	6-38611-12-R-8	394
		45	6-38611-05-L-8	6-38611-05-R-8	394

Passive leaf				
No.	Product	Backset	Faceplate 24 x 3 x 270 mm Non-handed	Additional versions see page
2	1990	35	B-19900-01-0-8	388
		40	B-19900-02-0-8	388
		45	B-19900-03-0-8	388
3	1895	30-45	B 1895 0003	412
4	9006	With end plug	B 9006 0013	436
5	9006	Solid	B 9006 0004	436
6	9000	For 1895	B 9000 0490	426
7	9009/B-0028	-	B 9009 0001 or B-00280-20-0-8	438
8	9019	-	B 9019 0001	439
9	Lipped striker	Non-handed	B 9000 0913	428
	Striker	Non-handed	9-43501-03-0-8	427

Combination RPZAS 115

Narrow stile doors, panic function, double-leaf, automatic locking of passive leaf, SECURITY



Inside



Outside

Active leaf: half lever set with rosettes

Order number*			
B-72130-□□-0-□			
□ Cylinder hole – backplate design	□ Lever handle model	□ Material/Finish	
0 PC – oval	1 RONDO H1.1	1	Silver/EV1 look
1 PC – square	2 RONDO H1.2	3	PVD brass
2 CHRC – oval	7 BELCANTO-Panik H3.1	7	White (RAL 9016)
3 CHRC – square	8 BELCANTO-Panik H3.2	8	Matt stainless steel
4 Without PC-hole – oval	A OFFICE H4.2		
5 Without PC-hole – square	C LEGATO H5.2		
6 Without rosette escutcheon – oval	E TREMOLO H6.2		
7 Without rosette escutcheon – square	G DIRIGENT H7.2		

Active leaf: half lever set with long backplate

Order number*			
B-72140-□□-0-□			
□ Cylinder hole – backplate design	□ Lever handle model	□ Material/Finish	
4 Without PC-hole – round	1 RONDO H1.1	1	Silver/EV1 look
5 Without PC-hole – square	2 RONDO H1.2	3	PVD brass
6 PC 92 mm – round	7 BELCANTO-Panik H3.1	7	White (RAL 9016)
7 PC 92 mm – square	8 BELCANTO-Panik H3.2	8	Matt stainless steel
8 Swiss RC 94 mm – round	A OFFICE H4.2		
9 Swiss RC 94 mm – square	C LEGATO H5.2		
	E TREMOLO H6.2		
	G DIRIGENT H7.2		

Active leaf: panic exit device according to EN 1125

Locking component	Cylinder hole	Aluminium F1	Matt stainless steel	Page
Push bar	PC 92 mm	B-74000-30-0-1N	B-74000-30-0-8	462
	Swiss RC 94 mm	B-74000-40-0-1N	B-74000-40-0-8	462
Crossbar	Length	Aluminium F1	Matt stainless steel	Page
	1150 mm	B 7100 4274	B 7100 4204	462
Locking component	Length	Aluminium F1	Matt stainless steel	Page
Touch bar	1158 mm	B-74410-02-0-1	B-74410-02-0-8	458

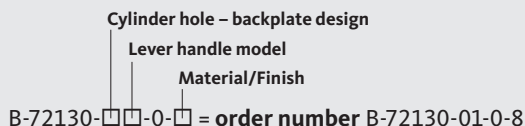
Passive leaf: panic exit device according to EN 1125

Locking component	Cylinder hole	Aluminium F1	Matt stainless steel	Page
Push bar	Without PC-hole	B-74000-00-0-1N	B-74000-00-0-8	462
Crossbar	Length	Aluminium F1	Matt stainless steel	Page
	1150 mm	B 7100 4274	B 7100 4204	462
Locking component	Length	Aluminium F1	Matt stainless steel	Page
Touch bar	1158 mm	B-74410-02-0-1	B-74410-02-0-8	458

Accessories: spindles and screws see from page 482 – more information about the lever sets from page 12

*Ordering example

Active leaf: half lever set with rosettes = B-72130-□□-0-□
 Cylinder hole – backplate design = PC – oval = 0 [refer to table]
 Lever handle model = RONDO H1.1 = 1 [refer to table]
 Material/Finish = matt stainless steel = 8 [refer to table]



Combination RPZAS 115

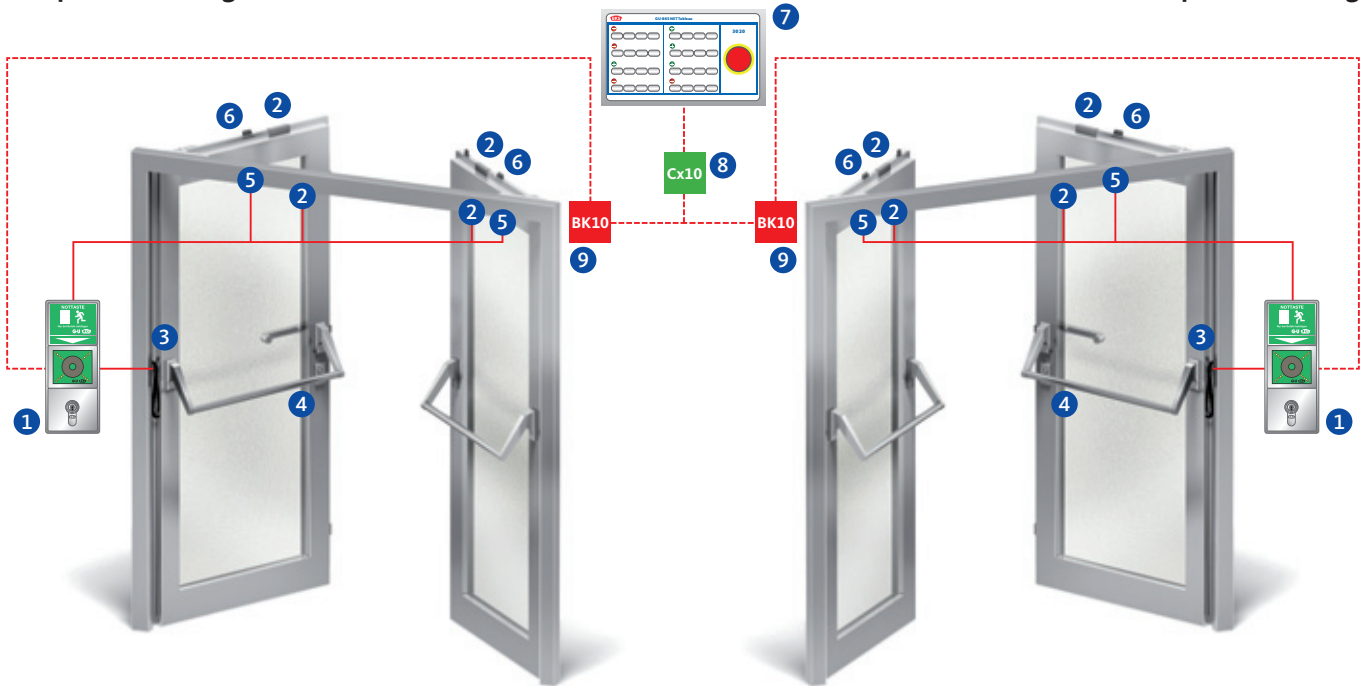
Narrow stile doors, panic function, double-leaf, automatic locking of passive leaf, SECURY



Escape door locking

Centralised control and visualisation

Escape door locking



Monitoring contacts

Product	Cylinder cam monitoring	Latch monitoring	Deadbolt monitoring	Follower monitoring	Electrically coupled exterior lever handle	Combinable with electric strike	With A-opener (motor)
6-38611-xx-x	■	■	■	■	-	-	■

Escape door locking

No.	Product	Description	See page
1	B 5580 09xx	Escape door terminal set with integral power supply unit	488
2	B 5469 0010	Door contact	499
3	6-xxxx-xx-x-x	Cable link	450
4	B 5490 xxxx	Connecting cable for EK lock or lock monitoring device	453
5	B 5465 xxxx	Electric escape door strike	496
6	B 5495 0010	Latch lock	496

Centralised control and visualisation

No.	Product	Description	See page
7	B 5580 0611	BKS-NET panel with pre-installed software, licence included, for max. 8 doors (without collective display)	500
8	B 5580 0421	CU10 building bus coupler (USB interface)	505
9	B 5580 0411	BK10 in-wall bus interface (without frame/cover)	505

Door closer/carrier bar

For detailed order information please refer to our order catalogue for door closers.

Combination RPZA 175

Narrow stile doors, panic function, double-leaf, automatic locking of passive leaf



Inside



Outside



Functional description

Active leaf

Inside

The active leaf can be opened by the push bar at any time (panic function). With series 18, the door is locked with the key. With series 19, the door locks automatically without a key.

Outside

The active leaf can only be opened with the key.
With series 18, the door is locked with the key.
With series 19, the door locks automatically without a key.
– Panic function E

Passive leaf

Inside

Active and passive leaf can be opened with the push bar at any time (panic function on both leaves). Upon closing, the passive leaf is locked automatically via the vertical rods. If the door is opened by the passive leaf, the carrier bar ensures that the active leaf is carried along far enough to activate the door-leaf coordinator, so the leaves can close in the appropriate sequence. This also guarantees that the two leaves cannot jam, not even with a small clearance. The closing sequence of the door is controlled by the door-leaf coordinator integrated in the closer.

Possible applications

- Escape doors to EN 1125 in public facilities
- Suitable for fire and smoke protection doors
- As the fixed knob or push/pull handle is on the outside, access from the outside is only possible using the key.
- Optional combination with electric access control and/or escape door security components (see the following pages)

Recommendation

- Shopping centres
- Airports
- Stadiums
- Administrative areas
- Schools and universities
- Hospitals

Combination RPZA 175

Narrow stile doors, panic function, double-leaf, automatic locking of passive leaf



Active leaf:

1 = Panic lock



Passive leaf:

- 2 = Shoot-bolt lock
- 3 = Passive-leaf control lock
- 4 = Vertical rod
- 5 = Solid vertical rod
- 6 = Striker
- 7 = Floor striker
- 8 = Guide plate for vertical rod

Active leaf

No.	Product	Backset	Panic function E		Additional PC/Swiss RC versions see page	
			Faceplate 24 x 3 x 270 mm Non-handed	U-faceplate 24 x 6 x 2 x 268 mm Non-handed		
1	1827	35	B-18270-01-U-8	B-18270-20-U-8	296	
		40	B-18270-02-U-8	-	296	
		45	B-18270-03-U-8	B-18270-21-U-8	296	
		Product	Backset	Faceplate 24 x 3 x 270 mm Non-handed	U-faceplate 24 x 6 x 2 x 268 mm Non-handed	Additional PC/Swiss RC versions see page
	1917	35	B-19170-00-U-8	B-19170-10-U-8	370	
		40	B-19170-01-U-8	B-19170-11-U-8	370	
		45	B-19170-02-U-8	B-19170-12-U-8	370	
	1917 with latch holdback	35	B-19170-34-U-8	B-19170-40-U-8	370	
		40	B-19170-35-U-8	B-19170-41-U-8	370	
		45	B-19170-36-U-8	B-19170-42-U-8	370	

Passive leaf

No.	Product	Backset	Faceplate 24 x 3 x 310 mm		Additional versions see page		
			DIN LH	DIN RH			
2	1793 prepared for electric strike	35	B 1793 6001	B 1793 6000	278		
		40	B 1793 6005	B 1793 6004	278		
		45	B 1793 6007	B 1793 6006	278		
		Product	Backset	Faceplate 24 x 3 x 270 mm Non-handed	Additional versions see page		
	1890 for series 18	1990 for series 19	35	B-18900-01-0-8	B-19900-01-0-8	336	388
			40	B-18900-02-0-8	B-19900-02-0-8	336	388
			45	B-18900-03-0-8	B-19900-03-0-8	336	388
	3	1895	30-45	B 1895 0003		412	
	4	9006	With end plug	B 9006 0013		436	
5	9006	Solid	B 9006 0004		436		
6	9000	For 1895	B 9000 0490		426		
7	9009/B-0028	-	B 9009 0001 or B-00280-20-0-8		438		
8	9019	-	B 9019 0001		439		

Combination RPZA 175

Narrow stile doors, panic function, double-leaf, automatic locking of passive leaf



Inside



Outside

Active leaf: half knob set with rosette

Order number*			
B-72630-□□-0-□			
□ Cylinder hole – backplate design	□ Knob model	□ Material/Finish	
0 PC – oval	0 K1.0 round knob	1	Silver/EV1 look
1 PC – square	1 K1.1 round knob	3	PVD brass
2 CHRC – oval	2 K2.0 ball knob	7	White (RAL 9016)
3 CHRC – square	3 K2.1 ball knob	8	Matt stainless steel
4 Without PC-hole – oval			
5 Without PC-hole – square			
6 Without rosette escutcheon – oval			
7 Without rosette escutcheon – square			

Active leaf: half knob set with long backplate

Order number*			
B-72640-□□-0-□			
□ Cylinder hole – backplate design	□ Knob model	□ Material/Finish	
4 Without PC-hole – round	0 K1.0 round knob	1	Silver/EV1 look
5 Without PC-hole – square	1 K1.1 round knob	3	PVD brass
6 PC 92 mm – round	2 K2.0 ball knob	7	White (RAL 9016)
7 PC 92 mm – square	3 K2.1 ball knob	8	Matt stainless steel
8 Swiss RC 94 mm – round			
9 Swiss RC 94 mm – square			

Active leaf: panic exit device according to EN 1125

Locking component	Cylinder hole	Aluminium F1	Matt stainless steel	Page
Push bar	PC 92 mm	B-74000-30-0-1N	B-74000-30-0-8	462
	Swiss RC 94 mm	B-74000-40-0-1N	B-74000-40-0-8	462
Crossbar	Length	Aluminium F1	Matt stainless steel	Page
	1150 mm	B 7100 4274	B 7100 4204	462
Locking component	Length	Aluminium F1	Matt stainless steel	Page
Touch bar	1158 mm	B-74410-02-0-1	B-74410-02-0-8	458

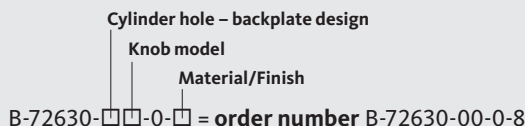
Passive leaf: panic exit device according to EN 1125

Locking component	Cylinder hole	Aluminium F1	Matt stainless steel	Page
Push bar	Without PC-hole	B-74000-00-0-1N	B-74000-00-0-8	462
Crossbar	Length	Aluminium F1	Matt stainless steel	Page
	1150 mm	B 7100 4274	B 7100 4204	462
Locking component	Length	Aluminium F1	Matt stainless steel	Page
Touch bar	1158 mm	B-74410-02-0-1	B-74410-02-0-8	458

Accessories: spindles and screws see from page 482 – **more information** about the lever sets from page 12

*Ordering example

Active leaf: half knob set with rosette = B-72630-□□-0-□
 Cylinder hole – backplate design = PC – oval = 0 [refer to table]
 Knob model = round knob K1.0 = 0 [refer to table]
 Material/Finish = matt stainless steel = 8 [refer to table]



Combination RPZA 175

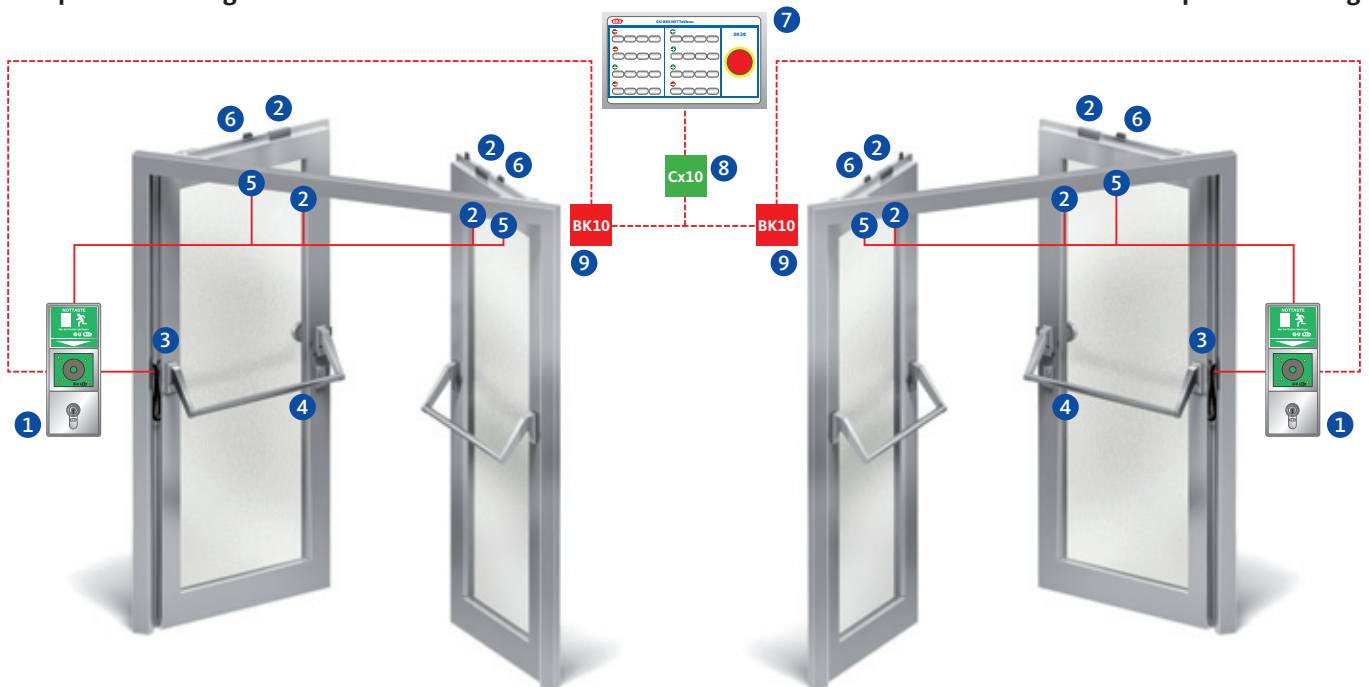
Narrow stile doors, panic function, double-leaf, automatic locking of passive leaf



Escape door locking

Centralised control and visualisation

Escape door locking



Monitoring contacts

Product	Cylinder cam monitoring	Latch monitoring	Deadbolt monitoring	Follower monitoring	Electrically coupled exterior lever handle	Combinable with electric strike
1827	■	■	■	■	–	■
1917	■	■	–	■	–	–

Escape door locking

No.	Product	Description	See page
1	B 5580 09xx	Escape door terminal set with integral power supply unit	488
2	B 5469 0010	Door contact	499
3	6-xxxx-xx-x-x	Cable link	450
4	B 5490 xxxx	Connecting cable for EK lock or lock monitoring device	453
5	B 5465 xxxx	Electric escape door strike	496
6	B 5495 0010	Latch lock	496

Centralised control and visualisation

No.	Product	Description	See page
7	B 5580 0611	BKS-NET panel with pre-installed software, licence included, for max. 8 doors (without collective display)	500
8	B 5580 0421	CU10 building bus coupler (USB interface)	505
9	B 5580 0411	BK10 in-wall bus interface (without frame/cover)	505

Door closer/carrier bar

For detailed order information please refer to our order catalogue for door closers.

Combination RPZA 175-M

Narrow stile doors, panic function, double-leaf, automatic locking of passive leaf, motor-driven opening



Functional description

Active leaf

Inside

The active leaf can be opened by the push bar at any time (panic function). With series 18, the door is locked with the key. With series 19, the door locks automatically without a key.

Outside

The active leaf can only be opened with the key.
 With series 18, the door is locked with the key.
 With series 19, the door locks automatically without a key.
 – Panic function E

Passive leaf

Inside

Active and passive leaf can be opened with the push bar at any time (panic function on both leaves). Upon closing, the passive leaf is locked automatically via the vertical rods. If the door is opened by the passive leaf, the carrier bar ensures that the active leaf is carried along far enough to activate the door-leaf coordinator, so the leaves can close in the appropriate sequence. This also guarantees that the two leaves cannot jam, not even with a small clearance. The closing sequence of the door is controlled by the door-leaf coordinator integrated in the closer.

Possible applications

- Escape doors to EN 1125 in public areas, in conjunction with a swing-door drive
- Suitable for fire and smoke protection doors
- As the fixed knob or push/pull handle is on the outside, access from the outside is only possible using the key
- Optional combination with electric access control and/or escape door security components (see the following pages)

Recommendation

- Shopping centres
- Airports
- Administrative areas
- Schools and universities
- Hospitals

Combination RPZA 175-M

Narrow stile doors, panic function, double-leaf, automatic locking of passive leaf, motor-driven opening



Active leaf:

1 = Panic lock



Passive leaf:

2 = Motor-driven shoot-bolt lock

3 = Passive-leaf control lock

4 = Vertical rod

5 = Solid vertical rod

6 = Striker

7 = Floor striker

8 = Guide plate for vertical rod

Active leaf						
No.	Product	Backset	Panic function E Faceplate 24 x 3 x 270 mm Non-handed	U-faceplate 24 x 6 x 2 x 268 mm Non-handed	Additional PC/Swiss RC versions see page	
1	1827	35	B-18270-01-U-8	B-18270-20-U-8	296	
		40	B-18270-02-U-8	-	296	
		45	B-18270-03-U-8	B-18270-21-U-8	296	
		Product	Backset	Panic function E Faceplate 24 x 3 x 270 mm Non-handed	U-faceplate 24 x 6 x 2 x 268 mm Non-handed	Additional PC/Swiss RC versions see page
	1917	35	B-19170-00-U-8	B-19170-10-U-8	370	
		40	B-19170-01-U-8	B-19170-11-U-8	370	
		45	B-19170-02-U-8	B-19170-12-U-8	370	
	1917 with latch holdback	35	B-19170-34-U-8	B-19170-40-U-8	370	
		40	B-19170-35-U-8	B-19170-41-U-8	370	
		45	B-19170-36-U-8	B-19170-42-U-8	370	

Passive leaf						
No.	Product	Backset	Faceplate 24 x 3 x 310 mm		Additional versions see page	
			DIN LH	DIN RH		
2	1893 for series 18 1993 for series 19	35	B-18930-00-0-8	B-19930-00-0-8	342	390
		40	B-18930-01-0-8	B-19930-01-0-8	342	390
		45	B-18930-02-0-8	B-19930-02-0-8	342	390
3	1895	30-45	B 1895 0003		412	
4	9006	With end plug	B 9006 0013		436	
5	9006	Solid	B 9006 0004		436	
6	9000	For 1895	B 9000 0490		426	
7	9009/B-0028	-	B 9009 0001 or B-00280-20-0-8		438	
8	9019	-	B 9019 0001		439	

Combination RPZA 175-M

Narrow stile doors, panic function, double-leaf, automatic locking of passive leaf, motor-driven opening



Inside



Outside

Active leaf: half knob set with rosette

Order number*			
B-72630-□□-0-□			
□ Cylinder hole – backplate design	□ Knob model	□ Material/Finish	
0 PC – oval	0 K1.0 round knob	1	Silver/EV1 look
1 PC – square	1 K1.1 round knob	3	PVD brass
2 CHRC – oval	2 K2.0 ball knob	7	White (RAL 9016)
3 CHRC – square	3 K2.1 ball knob	8	Matt stainless steel
4 Without PC-hole – oval			
5 Without PC-hole – square			
6 Without rosette escutcheon – oval			
7 Without rosette escutcheon – square			

Active leaf: half knob set with long backplate

Order number*			
B-72640-□□-0-□			
□ Cylinder hole – backplate design	□ Knob model	□ Material/Finish	
4 Without PC-hole – round	0 K1.0 round knob	1	Silver/EV1 look
5 Without PC-hole – square	1 K1.1 round knob	3	PVD brass
6 PC 92 mm – round	2 K2.0 ball knob	7	White (RAL 9016)
7 PC 92 mm – square	3 K2.1 ball knob	8	Matt stainless steel
8 Swiss RC 94 mm – round			
9 Swiss RC 94 mm – square			

Active leaf: panic exit device according to EN 1125

Locking component	Cylinder hole	Aluminium F1	Matt stainless steel	Page
Push bar	PC 92 mm	B-74000-30-0-1N	B-74000-30-0-8	462
	Swiss RC 94 mm	B-74000-40-0-1N	B-74000-40-0-8	462
Crossbar	Length	Aluminium F1	Matt stainless steel	Page
	1150 mm	B 7100 4274	B 7100 4204	462
Locking component	Length	Aluminium F1	Matt stainless steel	Page
Touch bar	1158 mm	B-74410-02-0-1	B-74410-02-0-8	458

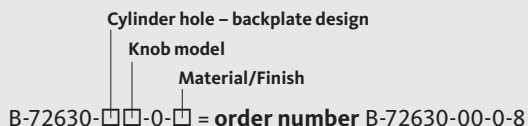
Passive leaf: panic exit device according to EN 1125

Locking component	Cylinder hole	Aluminium F1	Matt stainless steel	Page
Push bar	Without PC-hole	B-74000-00-0-1N	B-74000-00-0-8	462
Crossbar	Length	Aluminium F1	Matt stainless steel	Page
	1150 mm	B 7100 4274	B 7100 4204	462
Locking component	Length	Aluminium F1	Matt stainless steel	Page
Touch bar	1158 mm	B-74410-02-0-1	B-74410-02-0-8	458

Accessories: spindles and screws see from page 482 – **more information** about the lever sets from page 12

***Ordering example**

Active leaf: half knob set with rosette = B-72630-□□-0-□
 Cylinder hole – backplate design = PC – oval = 0 [refer to table]
 Knob model = round knob K1.0 = 0 [refer to table]
 Material/Finish = matt stainless steel = 8 [refer to table]



Combination RPZA 175-M

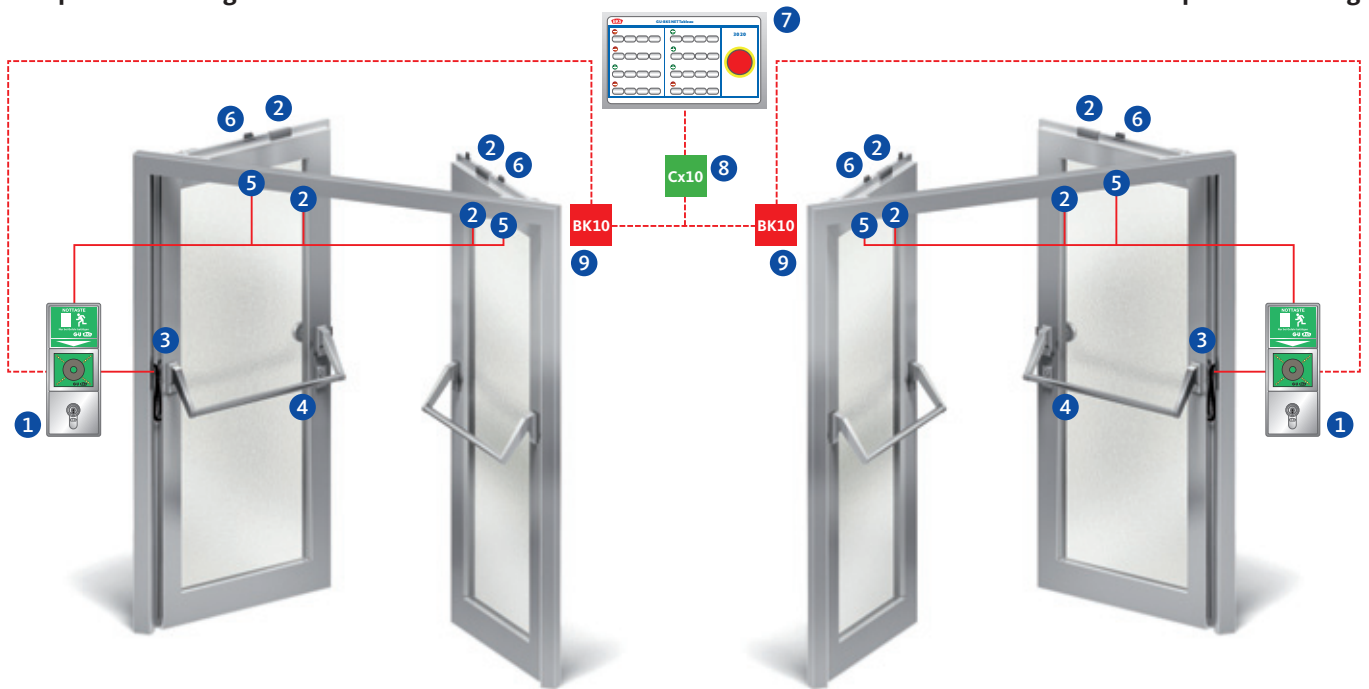
Narrow stile doors, panic function, double-leaf, automatic locking of passive leaf, motor-driven opening



Escape door locking

Centralised control and visualisation

Escape door locking



Monitoring contacts

Product	Cylinder cam monitoring	Latch monitoring	Deadbolt monitoring	Follower monitoring	Electrically coupled exterior lever handle	Combinable with electric strike
1827	■	■	■	■	-	■
1917	■	■	-	■	-	-

Escape door locking

No.	Product	Description	See page
1	B 5580 09xx	Escape door terminal set with integral power supply unit	488
2	B 5469 0010	Door contact	499
3	6-xxxx-xx-x-x	Cable link	450
4	B 5490 xxxx	Connecting cable for EK lock or lock monitoring device	453
5	B 5465 xxxx	Electric escape door strike	496
6	B 5495 0010	Latch lock	496

Centralised control and visualisation

No.	Product	Description	See page
7	B 5580 0611	BKS-NET panel with pre-installed software, licence included, for max. 8 doors (without collective display)	500
8	B 5580 0421	CU10 building bus coupler (USB interface)	505
9	B 5580 0411	BK10 in-wall bus interface (without frame/cover)	505

Door closer/carrier bar

For detailed order information please refer to our order catalogue for door closers.

Combination RPZO 175

Narrow stile doors, panic function, double-leaf, active leaf with top-locking



Inside

Outside



Functional description

Active leaf

Inside

The active leaf can be opened by the push bar at any time (panic function). With series 18, the door is locked with the key. With series 19, the door locks automatically without a key.

Outside

The active leaf can only be opened with the key.
 With series 18, the door is locked with the key.
 With series 19, the door locks automatically without a key.
 – Panic function E

Passive leaf

Inside

Active and passive leaf can be opened with the push bar at any time (panic function on both leaves). Upon closing, the passive leaf is locked automatically via the vertical rods. If the door is opened by the passive leaf, the carrier bar ensures that the active leaf is carried along far enough to activate the door-leaf coordinator, so the leaves can close in the appropriate sequence. This also guarantees that the two leaves cannot jam, not even with a small clearance. The closing sequence of the door is controlled by the door-leaf coordinator integrated in the door closer.

Possible applications

- Escape doors to EN 1125 in public facilities
- Suitable for fire and smoke protection doors
- As the fixed knob or push/pull handle is on the outside, access from the outside is only possible using the key
- Suitable for very high entrance doors with a tendency to warp (only by agreement with the door fabricator and in compliance with approvals)
- Enhanced burglar protection and gasket pressure thanks to the additional top-locking feature
- Optional combination with electric access control and/or escape door security components (see the following pages)

Recommendation

- Shopping centres
- Stadiums
- Airports
- Entrance doors for warehouses and office buildings
- Administrative areas

Combination RPZO 175

Narrow stile doors, panic function, double-leaf, active leaf with top-locking



Active leaf:

- 1 = Panic lock with top-locking feature
- 2 = Spring-operated top latch
- 3 = Vertical rod
- 8 = Striker



Passive leaf:

- 4 = Shoot-bolt lock
- 5 = Passive-leaf control lock
- 6 = Vertical rod
- 7 = Solid vertical rod
- 8 = Striker
- 9 = Floor striker
- 10 = Guide plate for vertical rod

Active leaf

No.	Product	Backset	Panic function E Faceplate 24 x 3 x 270 mm Non-handed		Additional PC/Swiss RC versions see page	
1	1837	35	B-18370-02-U-8		312	
		40	B-18370-04-U-8		312	
		45	B-18370-06-U-8		312	
	1907 Self-locking	Product	Backset	Faceplate 24 x 3 x 270 mm Non-handed	U-faceplate 24 x 6 x 2 x 268 mm Non-handed	Additional PC/Swiss RC versions see page
		35	35	B-19070-00-U-8	B-19070-06-U-8	358
			40	B-19070-01-U-8	B-19070-07-U-8	358
45	B-19070-02-U-8		B-19070-08-U-8	358		
2	1795	35, 40, 45	B 1795 0001		411	
3	9006	35, 40, 45	Rod length	1385 mm	B 9006 0022	436
				1500 mm	B 9006 0013	436

Passive leaf

No.	Product	Backset	Faceplate 24 x 3 x 270 mm Non-handed		Additional versions see page	
			Non-handed	Non-handed		
4	1890 for series 18 1990 for series 19	35	B-18900-01-0-8	B-19900-01-0-8	336	388
		40	B-18900-02-0-8	B-19900-02-0-8	336	388
		45	B-18900-03-0-8	B-19900-03-0-8	336	388
5	1895	30-45	B 1895 0003		412	
6	9006	With end plug	B 9006 0013		436	
7	9006	Solid	B 9006 0004		436	
8	9000	For 1895/1795	B 9000 0490 and B 9000 0567		426	
9	9009/B-0028	-	B 9009 0001 or B-00280-20-0-8		438	
10	9019	-	B 9019 0001		439	

Combination RPZO 175

Narrow stile doors, panic function, double-leaf, active leaf with top-locking



Inside



Outside

Active leaf: half knob set with rosette

Order number*			
B-72630-□□-0-□			
□ Cylinder hole – backplate design	□ Knob model	□ Material/Finish	
0 PC – oval	0 K1.0 round knob	1	Silver/EV1 look
1 PC – square	1 K1.1 round knob	3	PVD brass
2 CHRC – oval	2 K2.0 ball knob	7	White (RAL 9016)
3 CHRC – square	3 K2.1 ball knob	8	Matt stainless steel
4 Without PC-hole – oval			
5 Without PC-hole – square			
6 Without rosette escutcheon – oval			
7 Without rosette escutcheon – square			

Active leaf: half knob set with long backplate

Order number*			
B-72640-□□-0-□			
□ Cylinder hole – backplate design	□ Knob model	□ Material/Finish	
4 Without PC-hole – round	0 K1.0 round knob	1	Silver/EV1 look
5 Without PC-hole – square	1 K1.1 round knob	3	PVD brass
6 PC 92 mm – round	2 K2.0 ball knob	7	White (RAL 9016)
7 PC 92 mm – square	3 K2.1 ball knob	8	Matt stainless steel
8 Swiss RC 94 mm – round			
9 Swiss RC 94 mm – square			

Active leaf: panic exit device according to EN 1125

Locking component	Cylinder hole	Aluminium F1	Matt stainless steel	Page
Push bar	PC 92 mm	B-74000-30-0-1N	B-74000-30-0-8	462
	Swiss RC 94 mm	B-74000-40-0-1N	B-74000-40-0-8	462
Crossbar	Length	Aluminium F1	Matt stainless steel	Page
	1150 mm	B 7100 4274	B 7100 4204	462
Locking component	Length	Aluminium F1	Matt stainless steel	Page
Touch bar	1158 mm	B-74410-02-0-1	B-74410-02-0-8	458

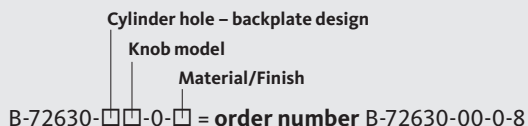
Passive leaf: panic exit device according to EN 1125

Locking component	Cylinder hole	Aluminium F1	Matt stainless steel	Page
Push bar	Without PC-hole	B-74000-00-0-1N	B-74000-00-0-8	462
Crossbar	Length	Aluminium F1	Matt stainless steel	Page
	1150 mm	B 7100 4274	B 7100 4204	462
Locking component	Length	Aluminium F1	Matt stainless steel	Page
Touch bar	1158 mm	B-74410-02-0-1	B-74410-02-0-8	458

Accessories: spindles and screws see from page 482 – **more information** about the lever sets from page 12

*Ordering example

Active leaf: half knob set with rosette = B-72630-□□-0-□
 Cylinder hole – backplate design = PC – oval = 0 [refer to table]
 Knob model = round knob K1.0 = 0 [refer to table]
 Material/Finish = matt stainless steel = 8 [refer to table]



Combination RPZO 175

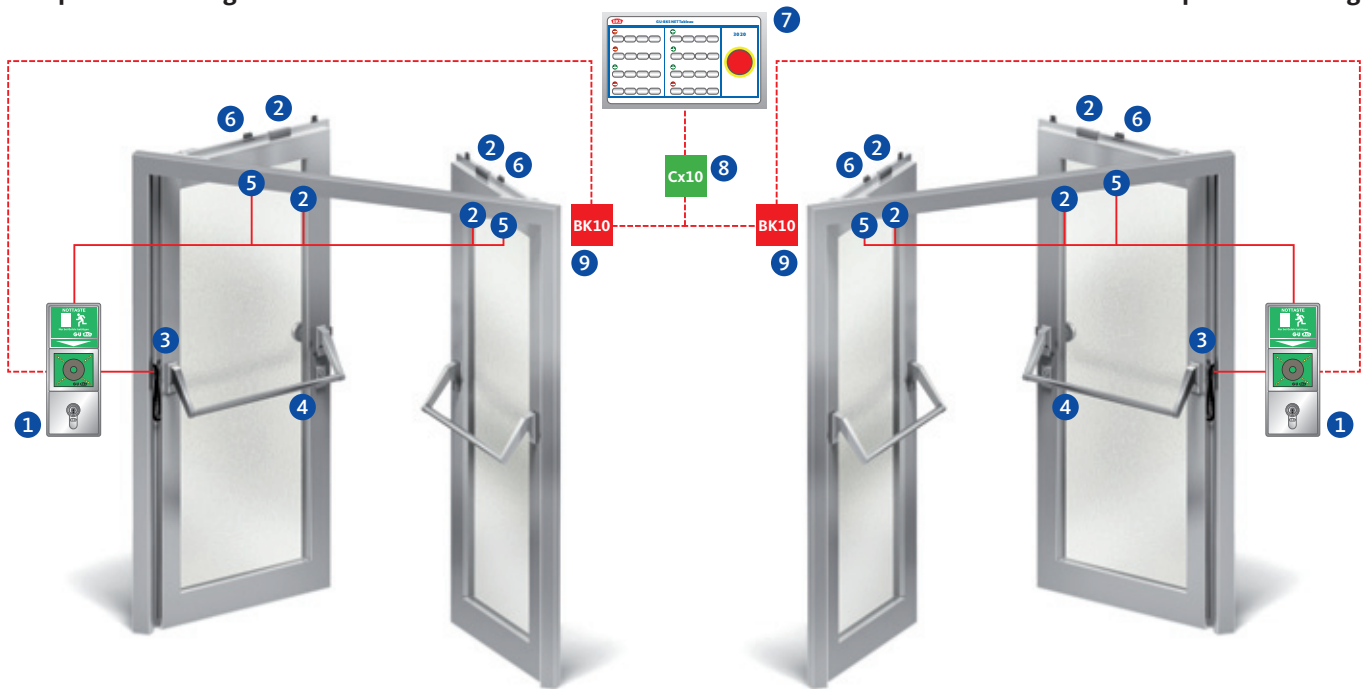
Narrow stile doors, panic function, double-leaf, active leaf with top-locking



Escape door locking

Centralised control and visualisation

Escape door locking



Monitoring contacts

Product	Cylinder cam monitoring	Latch monitoring	Deadbolt monitoring	Follower monitoring	Electrically coupled exterior lever handle	Combinable with electric strike
1837	■	■	■	■	–	■
1907	■	■	–	■	–	–

Escape door locking

No.	Product	Description	See page
1	B 5580 09xx	Escape door terminal set with integral power supply unit	488
2	B 5469 0010	Door contact	499
3	6-xxxx-xx-x-x	Cable link	450
4	B 5490 xxxx	Connecting cable for EK lock or lock monitoring device	453
5	B 5465 xxxx	Electric escape door strike	496
6	B 5495 0010	Latch lock	496

Centralised control and visualisation

No.	Product	Description	See page
7	B 5580 0611	BKS-NET panel with pre-installed software, licence included, for max. 8 doors (without collective display)	500
8	B 5580 0421	CU10 building bus coupler (USB interface)	505
9	B 5580 0411	BK10 in-wall bus interface (without frame/cover)	505

Door closer/carrier bar

For detailed order information please refer to our order catalogue for door closers.

Combination RPZAS 175

Narrow stile doors, panic function, double-leaf, automatic locking of passive leaf, SECURY



Inside

Outside



Functional description

Active leaf

Inside

The active leaf can be opened by the push bar at any time (panic function). With a SECURY lock, the door locks automatically without having to use the key.

Outside

The active leaf can only be opened with the key. With a SECURY lock, the door locks automatically without having to use the key.
– Panic function E

Passive leaf

Inside

Active and passive leaf can be opened with the push bar at any time (panic function on both leaves). Upon closing, the passive leaf is locked automatically via the vertical rods. If the door is opened by the passive leaf, the carrier bar ensures that the active leaf is carried along far enough to activate the door-leaf coordinator, so the leaves can close in the appropriate sequence. This also guarantees that the two leaves cannot jam, not even with a small clearance. The closing sequence of the door is controlled by the door-leaf coordinator integrated in the door closer.

Possible applications

- Escape doors to EN 1125 in public facilities
- Suitable for fire and smoke protection doors
- As the fixed knob or push/pull handle is on the outside, access from the outside is only possible using the key
- Suitable for very high entrance doors with a tendency to warp (only by agreement with the door fabricator and in compliance with approvals)
- Automatic multi-point locking
- Enhanced burglar protection and gasket pressure thanks to the additional locking
- Optional combination with electric access control and/or escape door security components (see the following pages)

Recommendation

- Entrance doors to administrative and office buildings
- Homes for the elderly
- Service rooms
- Museums
- Airports
- Stadiums
- Administrative areas

Combination RPZAS 175

Narrow stile doors, panic function, double-leaf, automatic locking of passive leaf, SECURITY



Active leaf:

① = SECURITY panic lock



Passive leaf:

- ② = Shoot-bolt lock
- ③ = Passive leaf control lock
- ④ = Vertical rod
- ⑤ = Solid vertical rod
- ⑥ = Striker
- ⑦ = Floor striker
- ⑧ = Guide plate for vertical rod
- ⑨ = Striker

Active leaf					
No.	Product	Backset	Panic function E Faceplate 24 x 3 x 1750 mm		Additional PC/Swiss RC versions see page
			DIN LH	DIN RH	
1	SECURITY 1919	35	6-38613-13-L-8	6-38613-13-R-8	398
		40	6-38613-14-L-8	6-38613-14-R-8	398
		45	6-38613-05-L-8	6-38613-05-R-8	398

Passive leaf				
No.	Product	Backset	Faceplate 24 x 3 x 270 mm Non-handed	See page
2	1990	35	B-19900-01-0-8	388
		40	B-19900-02-0-8	388
		45	B-19900-03-0-8	388
3	1895	30-45	B 1895 0003	412
4	9006	With end plug	B 9006 0013	436
5	9006	Solid	B 9006 0004	436
6	9000	For 1895	B 9000 0490	426
7	9009/B-0028	-	B 9009 0001 or B-00280-20-0-8	438
8	9019	-	B 9019 0001	439
9	Lipped striker	Non-handed	B 9000 0913	428
	Striker	Non-handed	9-43501-03-0-8	427

Combination RPZAS 175

Narrow stile doors, panic function, double-leaf, automatic locking of passive leaf, SECURITY



Inside



Outside

Active leaf: half knob set with rosette

Order number*			
B-72630-□□-0-□			
□ Cylinder hole – backplate design	□ Knob model	□ Material/Finish	
0 PC – oval	0 K1.0 round knob	1	Silver/EV1 look
1 PC – square	1 K1.1 round knob	3	PVD brass
2 CHRC – oval	2 K2.0 ball knob	7	White (RAL 9016)
3 CHRC – square	3 K2.1 ball knob	8	Matt stainless steel
4 Without PC-hole – oval			
5 Without PC-hole – square			
6 Without rosette escutcheon – oval			
7 Without rosette escutcheon – square			

Active leaf: half knob set with long backplate

Order number*			
B-72640-□□-0-□			
□ Cylinder hole – backplate design	□ Knob model	□ Material/Finish	
4 Without PC-hole – round	0 K1.0 round knob	1	Silver/EV1 look
5 Without PC-hole – square	1 K1.1 round knob	3	PVD brass
6 PC 92 mm – round	2 K2.0 ball knob	7	White (RAL 9016)
7 PC 92 mm – square	3 K2.1 ball knob	8	Matt stainless steel
8 Swiss RC 94 mm – round			
9 Swiss RC 94 mm – square			

Active leaf: panic exit device according to EN 1125

Locking component	Cylinder hole	Aluminium F1	Matt stainless steel	Page
Push bar	PC 92 mm	B-74000-30-0-1N	B-74000-30-0-8	462
	Swiss RC 94 mm	B-74000-40-0-1N	B-74000-40-0-8	462
Crossbar	Length	Aluminium F1	Matt stainless steel	Page
	1150 mm	B 7100 4274	B 7100 4204	462
Locking component	Length	Aluminium F1	Matt stainless steel	Page
Touch bar	1158 mm	B-74410-02-0-1	B-74410-02-0-8	458

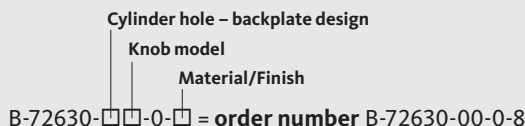
Passive leaf: panic exit device according to EN 1125

Locking component	Cylinder hole	Aluminium F1	Matt stainless steel	Page
Push bar	Without PC-hole	B-74000-00-0-1N	B-74000-00-0-8	462
Crossbar	Length	Aluminium F1	Matt stainless steel	Page
	1150 mm	B 7100 4274	B 7100 4204	462
Locking component	Length	Aluminium F1	Matt stainless steel	Page
Touch bar	1158 mm	B-74410-02-0-1	B-74410-02-0-8	458

Accessories: spindles and screws see from page 482 – more information about the lever sets from page 12

*Ordering example

Active leaf: half knob set with rosette = B-72630-□□-0-□
 Cylinder hole – backplate design = PC – oval = 0 [refer to table]
 Knob model = round knob K1.0 = 0 [refer to table]
 Material/Finish = matt stainless steel = 8 [refer to table]



Combination RPZAS 175

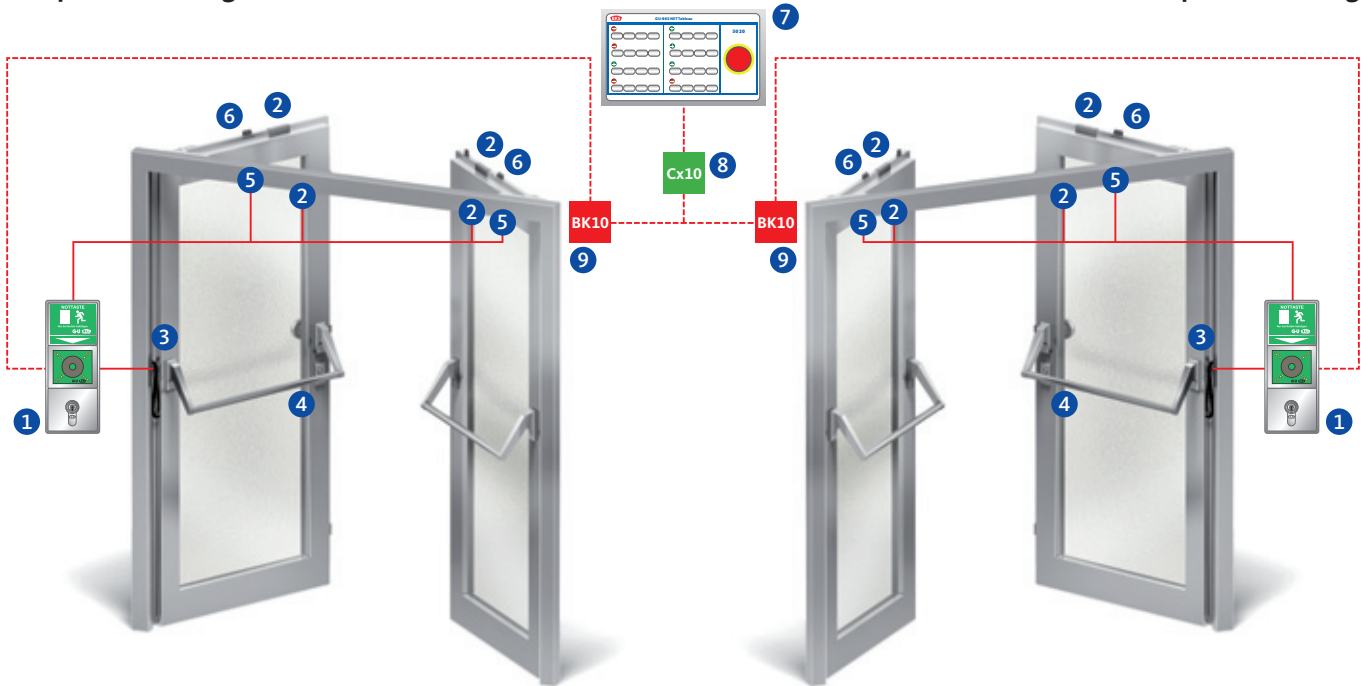
Narrow stile doors, panic function, double-leaf, automatic locking of passive leaf, SECURY



Escape door locking

Centralised control and visualisation

Escape door locking



Monitoring contacts

Product	Cylinder cam monitoring	Latch monitoring	Deadbolt monitoring	Follower monitoring	Electrically coupled exterior lever handle	Combinable with electric strike	With A-opener (motor)
6-38613-xx-x	■	■	-	■	-	-	■

Escape door locking

No.	Product	Description	See page
1	B 5580 09xx	Escape door terminal set with integral power supply unit	488
2	B 5469 0010	Door contact	499
3	6-xxxx-xx-x-x	Cable link	450
4	B 5490 xxxx	Connecting cable for EK lock or lock monitoring device	453
5	B 5465 xxxx	Electric escape door strike	496
6	B 5495 0010	Latch lock	496

Centralised control and visualisation

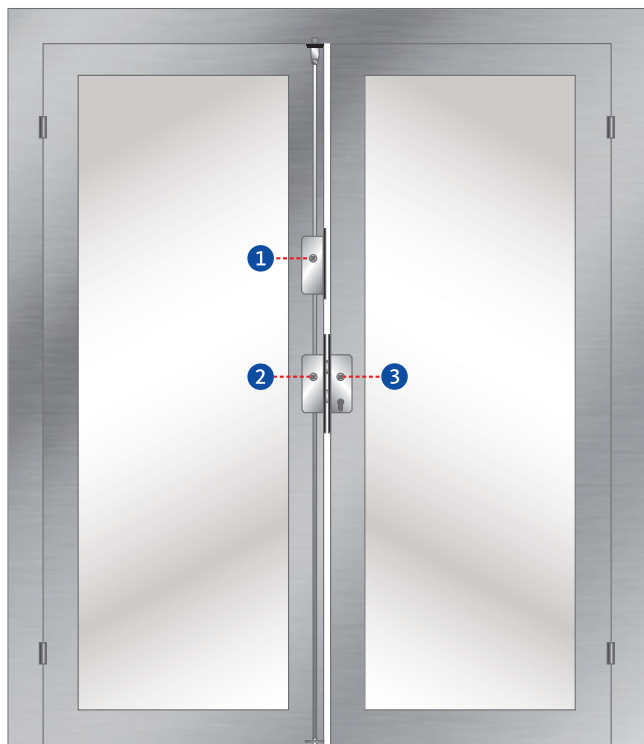
No.	Product	Description	See page
7	B 5580 0611	BKS-NET panel with pre-installed software, licence included, for max. 8 doors (without collective display)	500
8	B 5580 0421	CU10 building bus coupler (USB interface)	505
9	B 5580 0411	BK10 in-wall bus interface (without frame/cover)	505

Door closer/carrier bar

For detailed order information please refer to our order catalogue for door closers.

Special applications

Higher-mounted panic hardware on the passive leaf



Passive leaf

- ① = For upright lever handle mounted higher up – B 1798 remote lock
- ② = No hardware at standard height – B-1890 shoot-bolt lock
- ③ = For active leaf hardware at standard 1,050 mm height above finished floor level – series 18 active leaf lock

Note

With some applications it is desirable for the hardware to be mounted at a height of 1,500 mm above finished floor level. In these cases, the shoot-bolt lock is combined with the B 1798 remote lock. It also makes sense to mount the hardware higher up when using the single-acting panic function (see page 37).





Active leaf

- ① = For higher-mounted inside door hardware at 1,500 mm handle height
- panic function B = B-1840
 - panic function E = B-1846

Note

Note

In specific applications (**e.g. kindergartens**) it is not desirable for the standard or panic function to be triggered via hardware mounted at the standard height. In these cases, locks are installed at the standard height of 1,050 mm above FFL.



Special applications

Escape door locking



Indoors

Outdoors

Access with key =
locking cam contact on the lock

- 1 = B-1920/B-1926**
Electrically-locking panic lock EVP with panic function B or E, optionally with locking cam contact
- 2 = B 9000 xxxx**
Striker prepared for electric escape door strike B 5465 04xx
- 3 = B 5465 04xx**
Electric escape door strike with FaFix or ProFix 2 function

- 4 = B 5580 0982**
3-section set (LS990) in stainless steel effect, FTNT10 escape door control unit with integrated emergency push-button, ST10 key switch and integrated in-wall power supply unit 24 V DC/0.5 A
- 5 = B 5469 0010**
Door contact set, white
- 6 = 6-xxxxx-xx-x-x**
Concealed cable link for locking cam contact

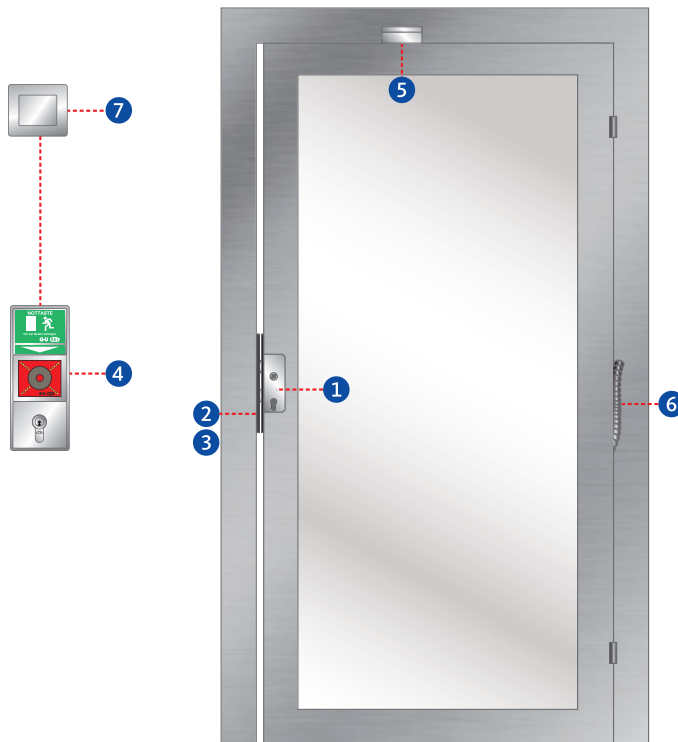
Functional description

Inside

The locking element (electric escape door strike) is released via key switch or locking cam contact on the lock. The door can then be opened from the inside at any time (escape door). When the emergency push-button is pressed, the locking element (electric escape door strike) is enabled immediately and an alarm sounds. The door leaf can then be opened from the inside at any time (panic function).

Outside

The door is opened from the outside with the key (locking cam contact on lock). This authorises activation of the locking element.



Indoors

Outdoors



Access with key =
locking cam contact on the lock

1 = B-1920/B-1926

Electrically-locking panic lock EVP with panic function B or E, optionally with locking cam contact and/or key-controlled latch holdback

2 = B 9000 xxxx

Striker prepared for electric escape door strike B 5465 04xx

3 = B 5465 04xx

Electric escape door strike with FaFix or ProFix 2 function

4 = B 5580 0982

3-section set (LS990) in stainless steel effect, FTNT10 escape door control unit with integrated emergency push-button, ST10 key switch and integrated in-wall power supply unit 24 V DC/0.5 A

5 = B 5469 0010

Door contact set, white

6 = 6-xxxxx-xx-x-x

Concealed cable link for locking cam contact

7 = Release button for 1.80 m installation height

Functional description

Inside

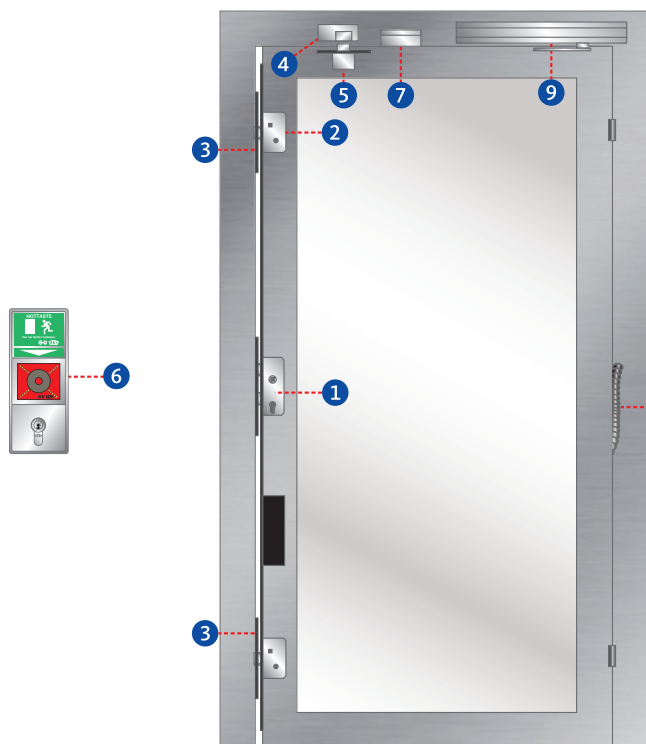
The locking element (electric escape door strike) is released via key switch or locking cam contact on the lock. The door can then be opened from inside (escape door). When the emergency push-button is pressed, the locking element (electric escape door strike) is enabled immediately and an alarm sounds. The door can then be opened from the inside (panic function). The door can be unlocked at any time via an additional push-button on the inside. To keep the push-button out of the reach of children, it should be installed at a height of approx. 1.80 m.

Outside

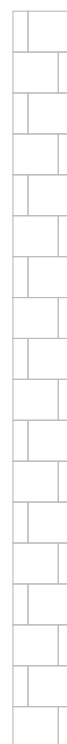
The door is opened from the outside with the key (locking cam contact on lock). This authorises activation of the locking element. The mechanical latch holdback on the lock allows the latch to be fixed in position during pick-up and drop-off times.

Special applications

Automatic door function



Indoors



Outdoors

1 = **SECURY 1910/1916 multi-point lock**
With A-opener, panic function B or E

2 = **K-16538-xx-x-x**
Latchbolt contact for additional lock

3 = Angled striker or adjustable striker for additional lock

4 = **B 5465 xxxx** electric escape door strike

5 = **B 5495 0010**
Latch lock for electric escape door strike

6 = **B 5580 0982**
3-section set (LS990) in stainless steel effect, FTNT10 escape door control unit with integrated emergency push-button, ST10 key switch and integrated in-wall power supply unit 24 V DC/0.5 A

7 = **B 5469 0010** door contact set, white

8 = **6-xxxxxx-xx-x-x**
Concealed cable link

9 = Swing-door drive for single-leaf doors

10 = **B 5580 031x** key switch

B 5494 0004 plug-in power supply 24 V DC (1 A)

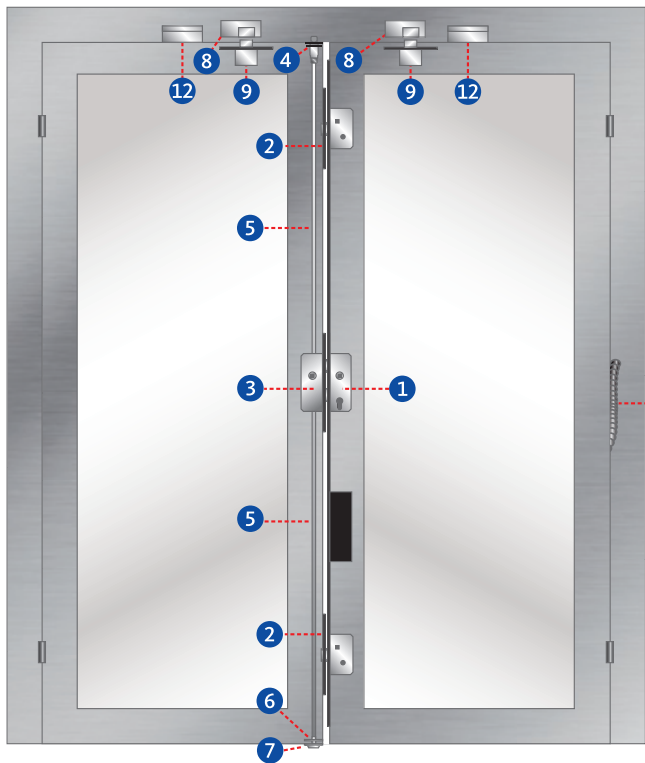
Functional description

Inside

The locking element (electric escape door strike) is released via key switch or locking cam contact on the lock. The door can then be opened from the inside at any time (escape door). When the emergency push-button is pressed, the locking element (electric escape door strike) is enabled immediately and an alarm sounds. The door leaf can then be opened from the inside at any time (panic function).

Outside

The door is opened from the outside via the key switch. This authorises activation of the locking element.



Indoors

Outdoors



- 1** = **SECURY 1911/1919 multi-point lock**
Panic function B or E, with optional latchbolt monitoring contact
- 1** = **B-1911 xxxx/B-1917 xxxx panic lock**
Panic function B or E, with optional locking cam and deadbolt monitoring contact
- 2** = Angled striker or adjustable striker for additional top and bottom latchbolt
- 3** = **B-1990 xxxx**
Shoot-bolt lock for active leaf lock of series 19
- 4** = **B 1895 xxxx** passive-leaf control lock
- 5** = **B 9006 xxxx** vertical rod
- 6** = **B 9019 0001** guide plate for vertical rod

- 7** = **B 9009 0001/B-00280-20-0-8** floor striker
- 8** = **B 5465 xxxx**
Electric escape door strike, one for each leaf
- 9** = **B 5495 0010** latch lock for electric escape door strike
- 10** = **B 5580 0982**
3-section set (LS990) in stainless steel effect, FTNT10 escape door control unit with integrated emergency push-button, ST10 key switch and integrated in-wall power supply unit 24 V DC/0.5 A
- 11** = **B 5580 031x** key switch
- 12** = **B 5469 0010** door contact set, white
- 13** = **6-xxxxx-xx-x-x**
Concealed cable link for locking cam contact

Functional description

Inside

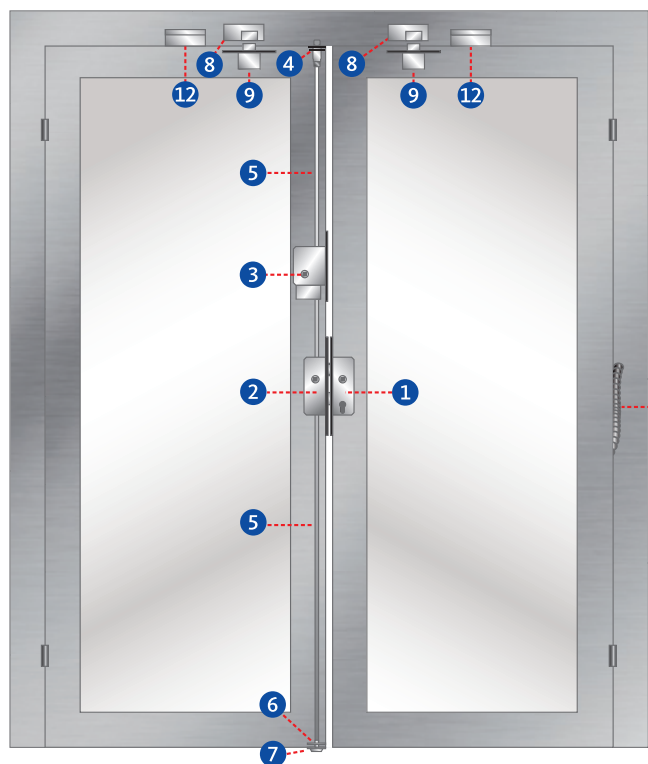
The locking elements (electric escape door strike) are released via key switch or locking cam contact on the lock. The door can then be opened from the inside at any time (escape door). When the emergency push-button is pressed, the locking element (electric escape door strike) is enabled immediately and an alarm sounds. The door leaf can then be opened from the inside at any time (panic function).

Outside

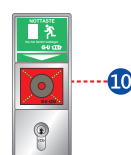
The door is opened from the outside via the key switch. This authorises activation of the locking element.

Special applications

Kindergarten solution – for double-leaf doors

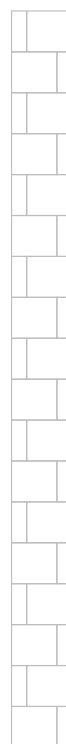


Indoors



Outdoors

Access with key = locking cam contact on the lock



- ① = **B-1821 xxxx/B-1827 xxxx** panic lock for two-leaf doors with panic function B or panic function E; optional locking cam and deadbolt monitoring
- ② = **B-1890** shoot-bolt lock prepared for B 1798 remote lock
- ③ = **B 1798 xxxx** remote lock
- ④ = **B 1895 xxxx** passive-leaf control lock
- ⑤ = **B 9006 xxxx** vertical rod
- ⑥ = **B 9019 0001** guide plate for vertical rod
- ⑦ = **B 9009 0001/B-00280-20-0-8** floor striker

- ⑧ = **B 5465 xxxx** electric escape door strike, one for each leaf
- ⑨ = **B 5495 0010** latch lock for electric escape door strike
- ⑩ = **B 5580 0982** 3-section set (LS990) in stainless steel effect, FTNT10 escape door control unit with integrated emergency push-button, ST10 key switch and integrated in-wall power supply unit 24 V DC/0.5 A
- ⑪ = Release button for 1.80 m installation height
- ⑫ = **B 5469 0010** door contact set, white
- ⑬ = **6-xxxxx-xx-x-x** concealed cable link for locking cam contact

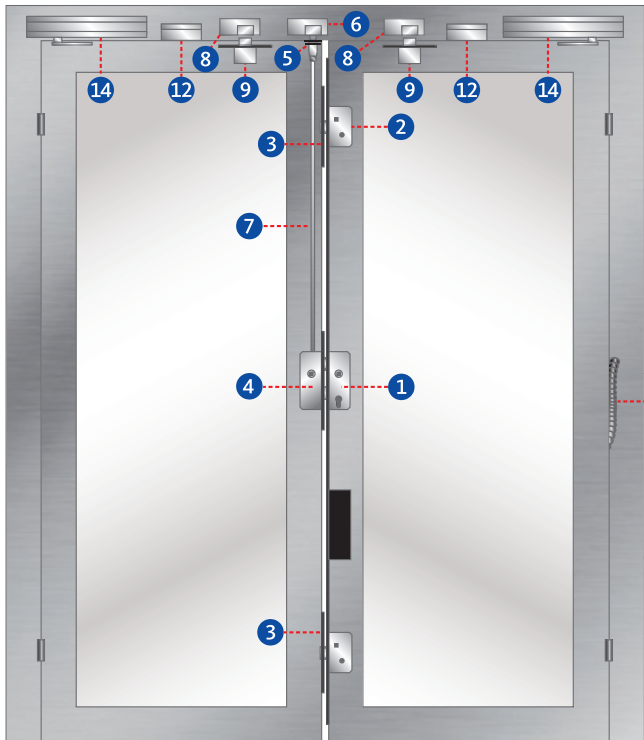
Functional description

Inside

The locking elements (electric escape door strike) are released via key switch or locking cam contact on the lock. The door can then be opened from inside (escape door). When the emergency push-button is pressed, the locking element (electric escape door strike) is enabled immediately and an alarm sounds. The door can then be opened from the inside (panic function). The door can be unlocked at any time via an additional push-button on the inside. To keep the push-button out of the reach of children, it should be installed at a height of approx. 1.80 m.

Outside

The door is opened from the outside with the key (locking cam contact on lock). This authorises activation of the locking element. The mechanical latch holdback on the lock allows the latch to be fixed in position during pick-up and drop-off times.



Indoors

Outdoors



- 1 = **SECURY 1911/1919 multi-point lock**
with A-opener, panic function B or E
 - 2 = **K-16538-xx-x-x latchbolt contact** for additional lock
 - 3 = **Angled striker or adjustable striker** for additional lock
 - 4 = **B-1990 xxxx shoot-bolt lock** in conjunction with SECURY multi-point lock
 - 5 = **B 1796 xxxx spring-operated top latch**
 - 6 = **GU-BKS electric strike ET 8**
 - 7 = **B 9006 xxxx vertical rod**
 - 8 = **B 5465 xxxx electric escape door strike**
 - 9 = **B 5495 0010 latch lock** for electric escape door strike
 - 10 = **B 5580 0982**
3-section set (LS990) in stainless steel effect, FTNT10 escape door control unit with integrated emergency push-button, ST10 key switch and integrated in-wall power supply unit 24 V DC/0.5 A
 - 11 = **B 5580 031x key switch**
 - 12 = **B 5469 0010 door contact set, white**
 - 13 = **6-xxxxx-xx-x-x concealed cable link**
 - 14 = **Swing-door drive**
- B 5494 0004** plug-in power supply 24 V DC (1 A)

Functional description

Inside

The locking element (electric escape door strike) is released via key switch or locking cam contact on the lock. The door can then be opened from the inside at any time (escape door). When the emergency push-button is pressed, the locking element (electric escape door strike) is enabled immediately and an alarm sounds. The door leaf can then be opened from the inside at any time (panic function).

Outside

The door is opened from the outside via the key switch. This authorises activation of the locking element.

Locks and multi-points locks



Overview

Product characteristics	228
-------------------------	-----

Manual-locking locking systems

Mortise locks	232
Mortise locks – series 13	240
Mortise locks – series 14	266
Mortise locks – series 18	272
Mortise locks with panic function – series 18	278

Self-locking locking systems

Mortise locks – series 19	346
Mortise locks with panic function – series 19	348

Self-locking locking systems

Multi-point locks with panic function – series 19	392
---	-----

Accessories

































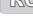
Locks	410
Strikers	416
Miscellaneous	436

Overview

Product characteristics



Product characteristics of manual-locking and self-locking locking systems

Material		Application range								Standards		Products	
Aluminium	1-leaf doors	2-leaf doors	Manual-locking locking systems	Mortise Locks	Mortise locks with panic function	Self-locking locking systems	Mortise Locks	Mortise locks with panic function	Multi-point locks with panic function	Approval	Mechanical locks	Mechatronic locks	
■	■		■	■							■	■	0007 narrow stile lock
■	■		■	■							■	■	1205 sliding-door lock
■	■		■	■	■					   	■	■	Series 13
■	■		■	■							■	■	Series 14
■	■	■	■	■	■					   	■	■	Series 18
■	■	■				■		■		     	■	■	Series 19
■	■	■				■		■		    	■	■	Motor-driven panic locks series 19
■	■	■				■	■	■		    	■	■	Electrically coupled panic lock series 19 (EK)
■	■					■		■		   	■	■	EVP electrically-locking panic locks series 19
■	■	■				■			■	    	■	■	SECURY 19



Fire protection suitability
Approved for use on fire and smoke protection doors



CE-marking
Compliance with the directives allowing the free movement of goods within the EU



Suitability for escape doors
Approved emergency exit devices (EN 179) and panic exit devices (EN 1125)



RC-tested according to EN 1627

Burglar resistance
Tested and certified for a wide range of security classes to meet individual burglar resistance demands



Damage prevention
Recognised and approved by the German Association of Non-Life Insurers (VdS) according to individual damage prevention directives

		Versions																		
		PC 72 mm	PC 92 mm	Swiss RC 94 mm	Single deadbolt throw of 10 mm	Single deadbolt (latchbolt) throw of 20 mm	Panic function B	Panic function C	Panic function D	Panic function E	Panic function P	Top-locking feature	Key-controlled latch holdback	Latch (latchbolt) monitoring	Deadbolt monitoring	Follower monitoring	Cylinder cam monitoring	Electrically coupled	EVP electrically-locking panic lock	Motor-driven lock (A-opener)
		■			■															
		■			■															
			■	■		■				■										
			■																	
			■	■		■	■	■	■	■	■	■	■	■	■	■	■	■		
			■	■		■	■	■	■											
			■	■		■														■
			■	■		■	■	■	■				■	■				■		
			■	■		■	■	■	■				■	■					■	

Overview

Product characteristics



Alternative equipment and special versions

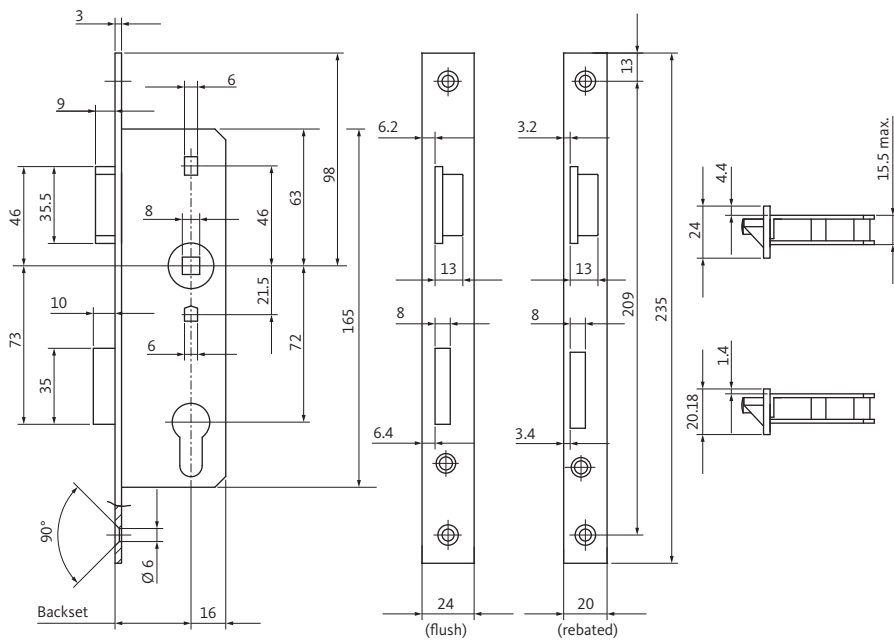
Lock type	Panic function B	Panic function C	Panic function D	Panic function E	Panic function P	3 mm latch and deadbolt projection	5 mm latch and deadbolt projection	Latch holdback	Key-controlled latch holdback	Escape door lock monitoring	Latch monitoring
1316				■							
1820/1821/1822/1823/1824/1825	■	■	■			■	■			■	■
1848/1849					■	■	■			■	■
1826/1827				■		■	■		■	■	■
1830/1831/1832/1833/1834/1835	■	■	■			■	■			■	■
1836/1837				■		■	■		■	■	■
1890											
1900/1901	■										■
1902/1903		■									■
1906/1907				■							■
1910/1911	■										■
1912/1913		■									■
1916/1917				■							■
1916/1917				■					■		■
1970/1971		■									
1980/1981		■									
1990											
SECURY 1910/1911	■										
SECURY 1912/1913		■									
SECURY 1916/1919				■							
SECURY 1970/1971		■									

Alternative equipment and special versions

Lock type	Deadbolt monitoring	Follower monitoring	Swiss round cylinder hole	Higher-mounted panic hardware Active leaf	Higher-mounted panic hardware Passive leaf	Electrically coupled	Self-locking	A-opener (motor-driven lock)	Active leaf	Passive leaf	DO identification number
1316	■		■						■		9.6
1820/1821/1822/1823/1824/1825	■	■	■						■		9.6
1848/1849	■	■	■						■		9.6
1826/1827	■	■	■						■		9.6
1830/1831/1832/1833/1834/1835	■	■	■						■		9.6
1836/1837	■	■	■						■		9.6
1890					■		■			■	9.6
1900/1901			■				■		■		9.1
1902/1903			■				■		■		9.1
1906/1907			■				■		■		9.1
1910/1911			■				■		■		9.1
1912/1913			■				■		■		9.1
1916/1917			■				■		■		9.1
1916/1917			■				■		■		9.1
1970/1971			■			■	■		■		9.1
1980/1981			■			■	■		■		9.1
1990					■		■			■	9.1
SECURY 1910/1911			■				■	■	■		9.1
SECURY 1912/1913			■				■	■	■		9.1
SECURY 1916/1919			■				■	■	■		9.1
SECURY 1970/1971			■			■	■		■		9.1

0007 narrow stile lock

for 1-leaf doors



0007 narrow stile lock

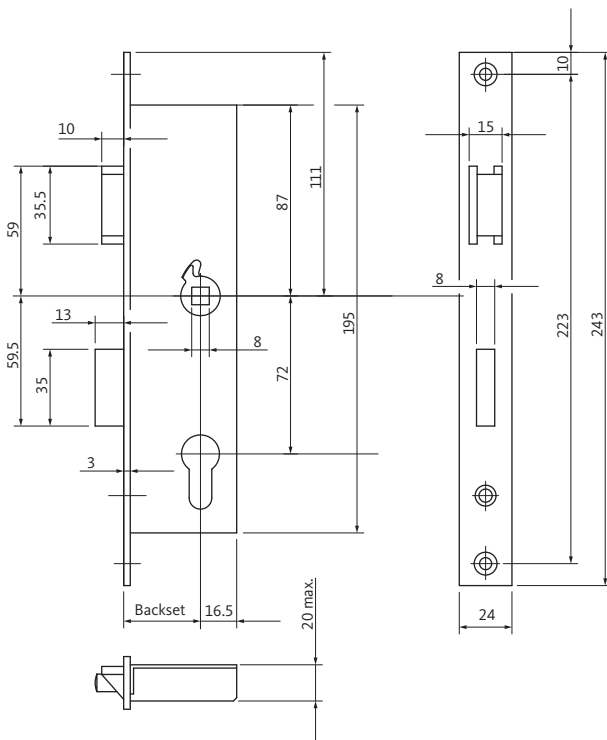
Faceplate Material/Finish	Backset, mm	Faceplate Shape	Faceplate 20 x 3 x 235 mm		Faceplate 24 x 3 x 235 mm	
			DIN LH	DIN RH	DIN LH	DIN RH
Steel, nickel silver	30	Square	00071011	00071012	00071019	00071020
	35	Square	00071013	00071014	00071021	00071022
	40	Square	00070271	00070272	00071023	00071024
	45	Square	00071015	00071016	00071025	00071026

Additional options (available on request)

Faceplate		Follower	Backset, mm	Special version	Suitable strikers
Material/Finish	Width				
Matt stainless steel	-	-	-	-	S4010088 (nickel silver) S4010012 (stainless steel)

1205 narrow stile lock

for 1-leaf doors



1205 narrow stile lock

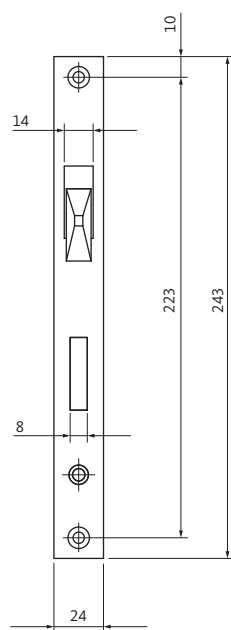
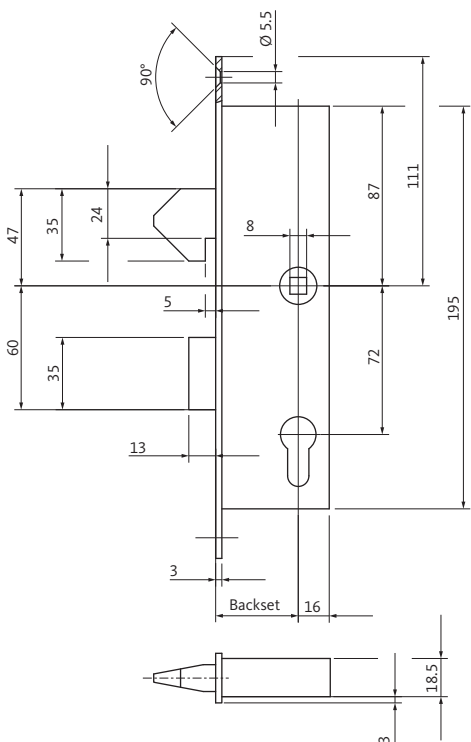
Faceplate Material/Finish	Backset, mm	Faceplate Shape	Faceplate 24 x 3 x 245 mm Non-handed
Steel, nickel silver	25	Square	12050005
	30	Square	12050001
	35	Square	12050006
	40	Square	12050007
Matt stainless steel	25	Square	12050120
	30	Square	12050062
	35	Square	12050060
	40	Square	12050056

Additional options (available on request)

Faceplate		Follower	Backset, mm	Special version	Suitable strikers
Material/Finish	Width				
-	-	-	-	-	S4910023 (nickel silver) S4910025 (stainless steel)

1205H sliding door lock

with hook latch



1205H sliding-door lock

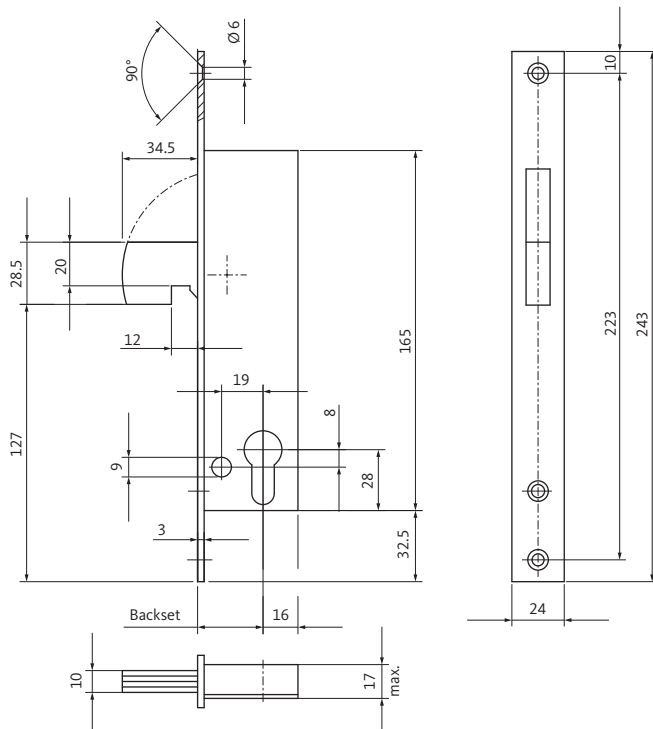
Faceplate Material/Finish	Backset, mm	Faceplate Shape	Faceplate 24 x 3 x 243 mm Non-handed
Steel, nickel silver	35	Square	12050028
	40	Square	12050029
Matt stainless steel	35	Square	12050064
	40	Square	12050104

Additional options (available on request)

Faceplate		Follower	Backset, mm	Special version	Suitable strikers
Material/Finish	Width				
-	-	9 mm	-	-	S4910023 (nickel silver) S4910025 (stainless steel)

1205SRH sliding-door lock

with pivoting hook bolt



1205SRH sliding-door lock

Faceplate Material/Finish	Backset, mm	Faceplate Shape	Faceplate 24 x 3 x 243 mm Non-handed
Steel, nickel silver	30	Square	12050195
	35	Square	12050196
	40	Square	12050204
Matt stainless steel	30	Square	12050197
	35	Square	12050198
	40	Square	12050205

1205SRH sliding-door lock with guide pin

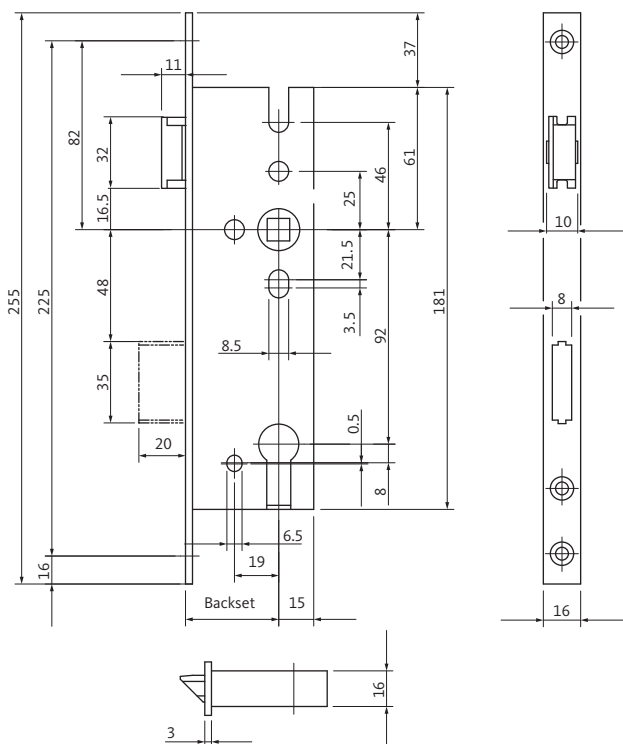
Faceplate Material/Finish	Backset, mm	Faceplate Shape	Faceplate 24 x 3 x 243 mm Non-handed
Steel, nickel silver	30	Square	12050199
	35	Square	12050200
	40	Square	12050206
Matt stainless steel	30	Square	12050190
	35	Square	12050201
	40	Square	12050207

Additional options (available on request)

Faceplate		Follower	Backset, mm	Special version	Suitable strikers
Material/Finish	Width				
-	-	-	-	-	S4910029 (nickel silver) S4910030 (stainless steel) S4910068 (nickel silver) S4910053 (nickel silver)

B 1300 narrow stile lock

for 1-leaf doors



B 1300 narrow stile lock

Faceplate Material/Finish	Backset, mm	Faceplate Shape	Faceplate 16 x 3 x 255 mm Non-handed
Matt stainless steel	25	Square	B 1300 0001
	30	Square	B 1300 0002
	35	Square	B 1300 0003
	40	Square	B 1300 0004
	45	Square	B 1300 0005
Steel, nickel silver	25	Square	B 1300 0011
	30	Square	B 1300 0012
	35	Square	B 1300 0013
	40	Square	B 1300 0014
	45	Square	B 1300 0015

B 1300 narrow stile lock

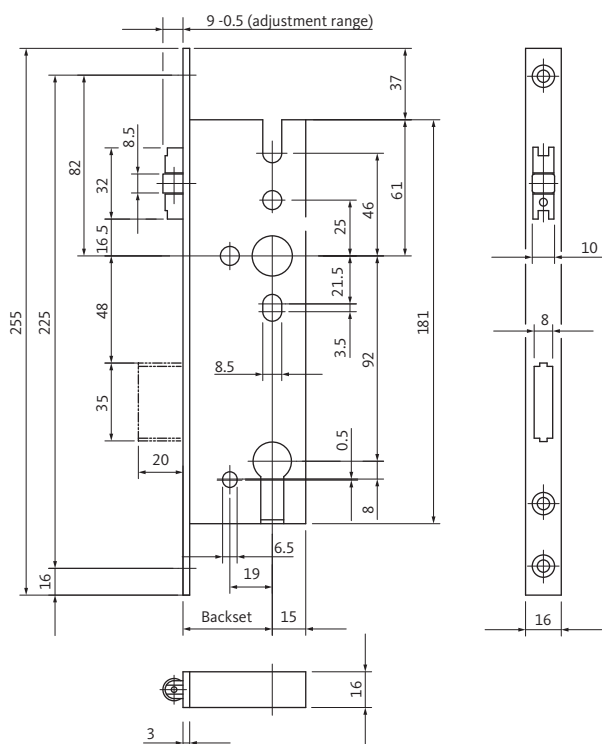
Faceplate Material/Finish	Backset, mm	Faceplate Shape	Panic function E Faceplate 16 x 3 x 255 mm Non-handed
Matt stainless steel	35	Square	B 1300 0003 0001
	40	Square	B 1300 0004 0002
	45	Square	B 1300 0505
Steel, nickel silver	35	Square	B 1300 0513
	40	Square	B 1300 0514
	45	Square	B 1300 0515

Additional options (available on request)

Faceplate		Follower	Backset, mm	Special version	Suitable strikers
Material/Finish	Width				
-	-	9 mm 10 mm	-	Deadbolt monitoring (from 35 mm spindle length) Deadbolt with anti-saw protection (from 35 mm backset)	-

B 1300 roller latch lock

for 1-leaf doors

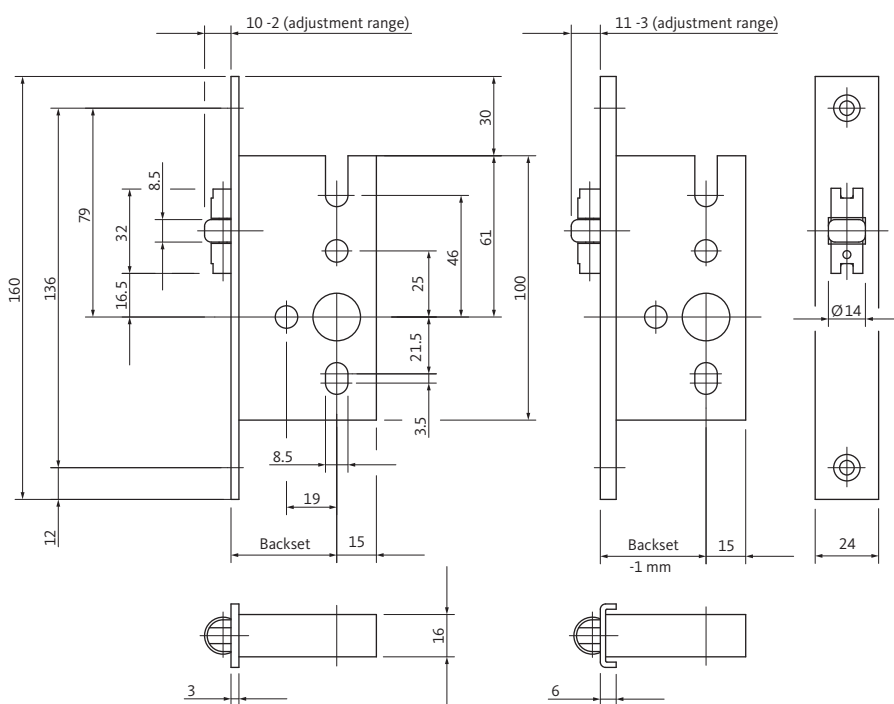


B 1300 roller-latch&deadbolt lock			
Faceplate Material/Finish	Backset, mm	Faceplate Shape	Faceplate 16 x 3 x 255 mm Non-handed
Steel, nickel silver	25	Square	B 1300 0111
	30	Square	B 1300 0112
	35	Square	B 1300 0113
	40	Square	B 1300 0114
	45	Square	B 1300 0115
Matt stainless steel	25	Square	B 1300 0101
	30	Square	B 1300 0102
	35	Square	B 1300 0103
	40	Square	B 1300 0104
	45	Square	B 1300 0105

Additional options (available on request)					
Faceplate		Follower	Backset, mm	Special version	Suitable strikers
Material/Finish	Width				
-	-	-	-	Deadbolt monitoring (from 35 mm spindle length) Deadbolt with anti-saw protection (from 35 mm backset)	-

B 1305 roller latch lock

for 1-leaf doors



B 1305 roller latch lock with flat faceplate

Faceplate Material/Finish	Backset, mm	Faceplate Shape	Faceplate 24 x 3 x 160 mm Non-handed
Matt stainless steel	25	Square	B 1305 0001
	30	Square	B 1305 0002
	35	Square	B 1305 0003
	40	Square	B 1305 0004
	45	Square	B 1305 0005
Steel, nickel silver	25	Square	B 1305 0011
	30	Square	B 1305 0012
	35	Square	B 1305 0013
	40	Square	B 1305 0014
	45	Square	B 1305 0015
Faceplate Material/Finish	Backset, mm	Faceplate Shape	Faceplate 16 x 3 x 160 mm Non-handed
Steel, nickel silver	25	Square	B 1305 0031
	30	Square	B 1305 0032
	35	Square	B 1305 0033
	40	Square	B 1305 0034
	45	Square	B 1305 0035

B 1305 roller latch lock with U-faceplate

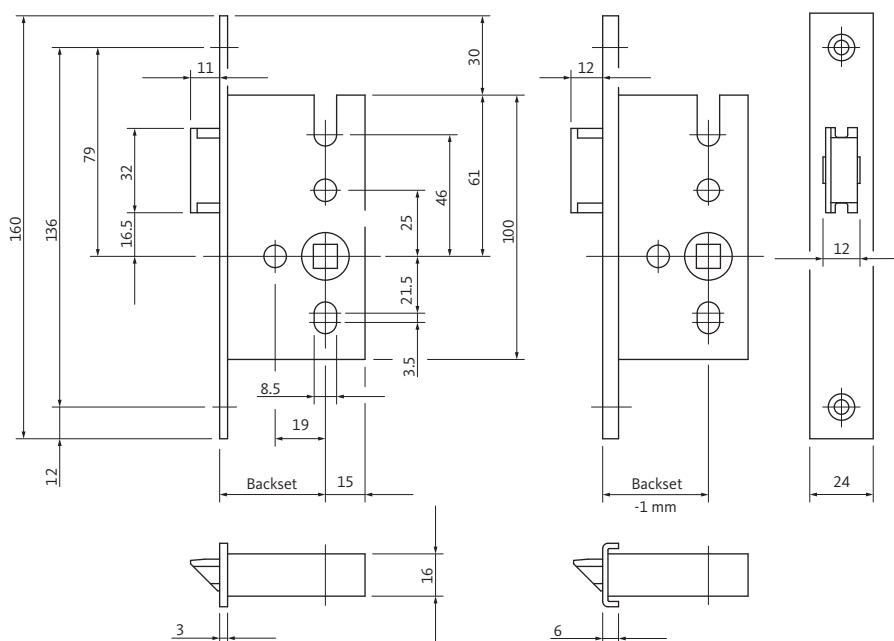
Faceplate Material/Finish	Backset, mm	Faceplate Shape	U-faceplate 24 x 6 x 2 x 160 mm Non-handed
Matt stainless steel	24	Square	B 1305 0021
	29	Square	B 1305 0022
	34	Square	B 1305 0023
	39	Square	B 1305 0024
	44	Square	B 1305 0025

Additional options (available on request)

Faceplate		Follower	Backset, mm	Special version	Suitable strikers
Material/Finish	Width				
-	16 mm	-	-	-	B 9000 1097 B 9000 1098

B 1307 latch lock

for 1-leaf doors



B 1307 latch lock with flat faceplate

Faceplate Material/Finish	Backset, mm	Faceplate Shape	Faceplate 24 x 3 x 160 mm Non-handed
Matt stainless steel	25	Square	B 1307 0001
	30	Square	B 1307 0002
	35	Square	B 1307 0003
	40	Square	B 1307 0004
	45	Square	B 1307 0005
Steel, nickel silver	25	Square	B 1307 0011
	30	Square	B 1307 0012
	35	Square	B 1307 0013
	40	Square	B 1307 0014
	45	Square	B 1307 0015
Faceplate Material/Finish	Backset, mm	Faceplate Shape	Faceplate 16 x 3 x 160 mm Non-handed
Steel, nickel silver	25	Square	B 1307 0071
	30	Square	B 1307 0072
	35	Square	B 1307 0073
	40	Square	B 1307 0074
	45	Square	B 1307 0075

B 1307 latch lock with U-faceplate

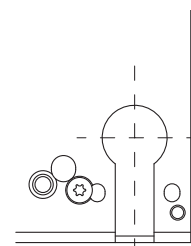
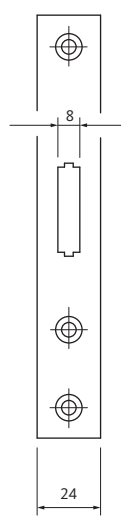
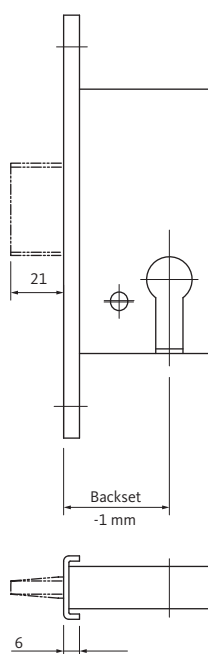
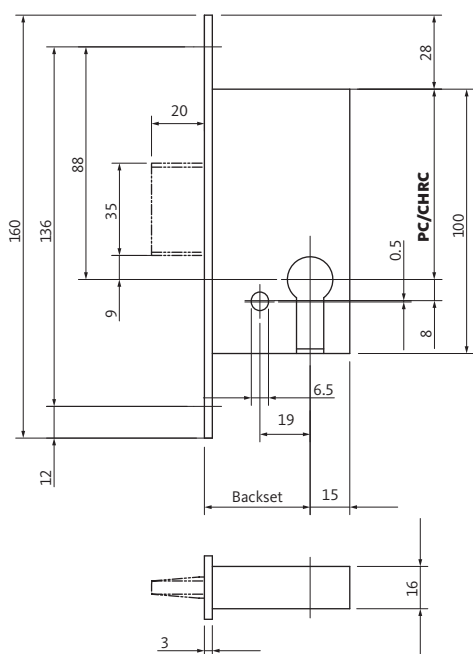
Faceplate Material/Finish	Backset, mm	Faceplate Shape	U-faceplate 24 x 6 x 2 x 160 mm Non-handed
Matt stainless steel	24	Square	B 1307 0021
	29	Square	B 1307 0022
	34	Square	B 1307 0023
	39	Square	B 1307 0024
	44	Square	B 1307 0025

Additional options (available on request)

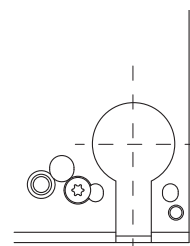
Faceplate		Follower	Backset, mm	Special version	Suitable strikers
Material/Finish	Width				
-	16 mm	9 mm 10 mm	-	-	B 9000 1097 B 9000 1098

B 1308 deadbolt lock

for 1-leaf doors



Detail: version with PC-hole



Detail: version with Swiss RC-hole (on request)

B 1308 deadbolt lock with flat faceplate

Faceplate Material/Finish	Backset, mm	Faceplate Shape	Faceplate 24 x 3 x 160 mm Non-handed
Matt stainless steel	25	Square	B 1308 0001
	30	Square	B 1308 0002
	35	Square	B 1308 0003
	40	Square	B 1308 0004
	45	Square	B 1308 0005
Steel, nickel silver	25	Square	B 1308 0011
	30	Square	B 1308 0012
	35	Square	B 1308 0013
	40	Square	B 1308 0014
	45	Square	B 1308 0015
Faceplate Material/Finish	Backset, mm	Faceplate Shape	Faceplate 16 x 3 x 160 mm Non-handed
Steel, nickel silver	25	Square	B 1308 0071
	30	Square	B 1308 0072
	35	Square	B 1308 0073
	40	Square	B 1308 0074
	45	Square	B 1308 0075

B 1308 deadbolt lock with U-faceplate

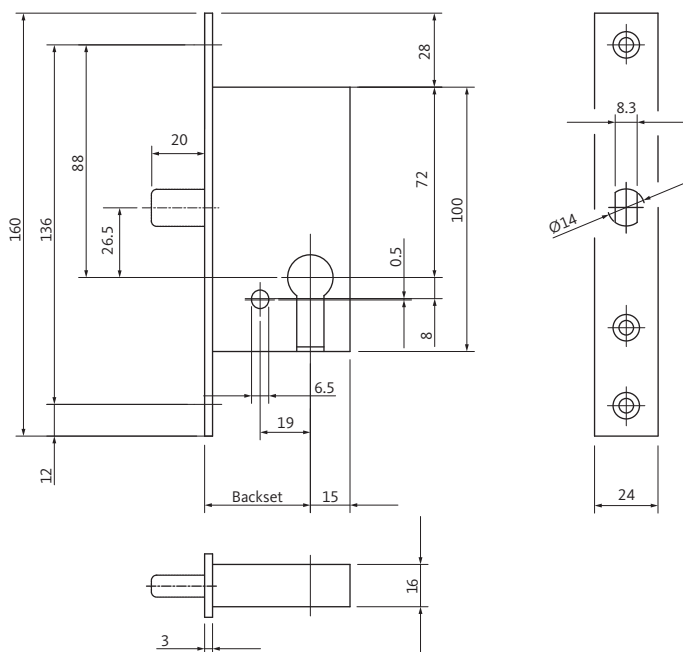
Faceplate Material/Finish	Backset, mm	Faceplate Shape	U-faceplate 24 x 6 x 2 x 160 mm Non-handed
Matt stainless steel	24	Square	B 1308 0021
	29	Square	B 1308 0022
	34	Square	B 1308 0023
	39	Square	B 1308 0024
	44	Square	B 1308 0025

Additional options (available on request)

Faceplate		Follower	Backset, mm	Special version	Suitable strikers
Material/Finish	Width				
-	16 mm	-	-	Deadbolt monitoring (from 35 mm spindle length) Deadbolt with anti-saw protection (from 30 mm backset) Swiss RC-hole	B 9000 1100 B 9000 1101

B 1308 rounded-deadbolt lock

for 1-leaf doors

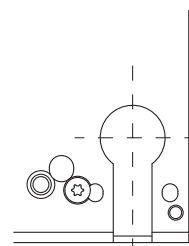
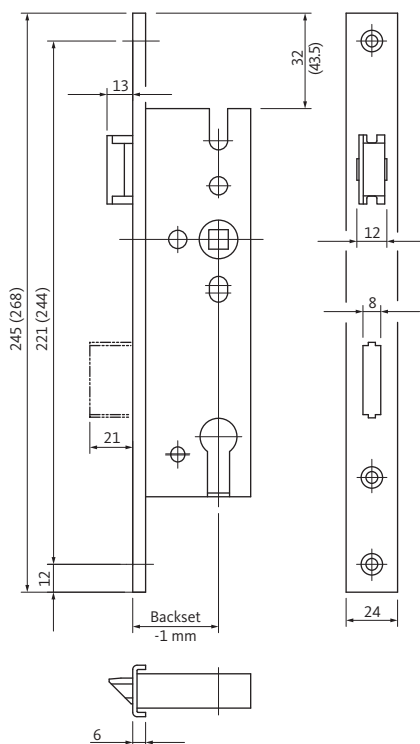
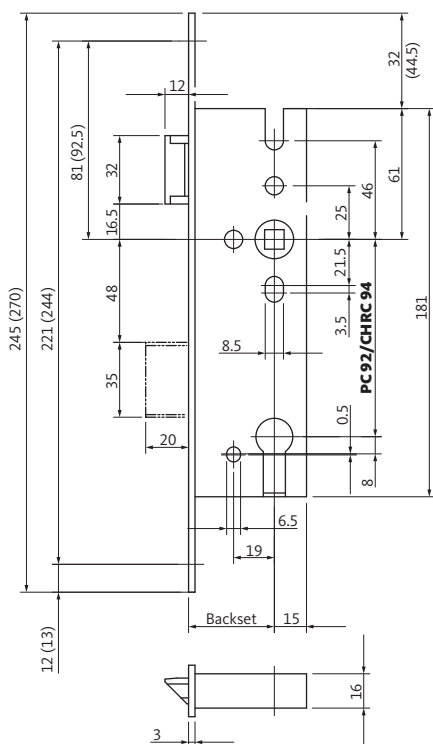


B 1308 rounded-deadbolt lock with flat faceplate

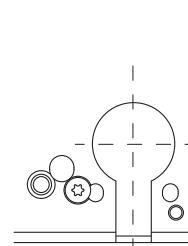
Faceplate Material/Finish	Backset, mm	Faceplate Shape	Faceplate 24 x 3 x 160 mm Non-handed
Matt stainless steel	25	Square	B 1308 2001

B 1311 fire protection door lock

for 1-leaf doors



Detail: version with PC-hole



Detail: version with Swiss RC-hole (on request)



B 1311 fire protection door lock

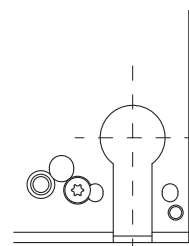
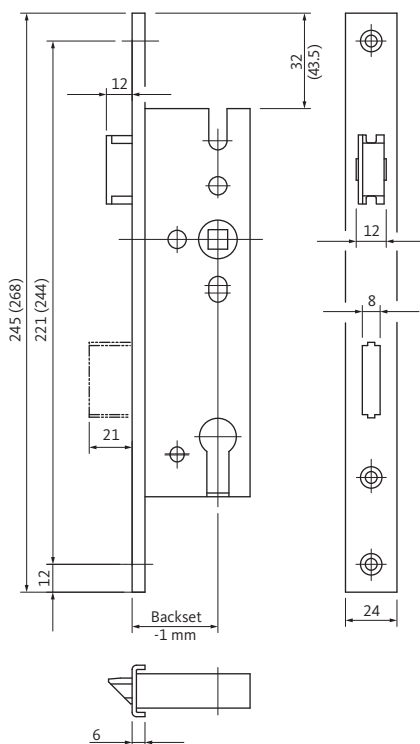
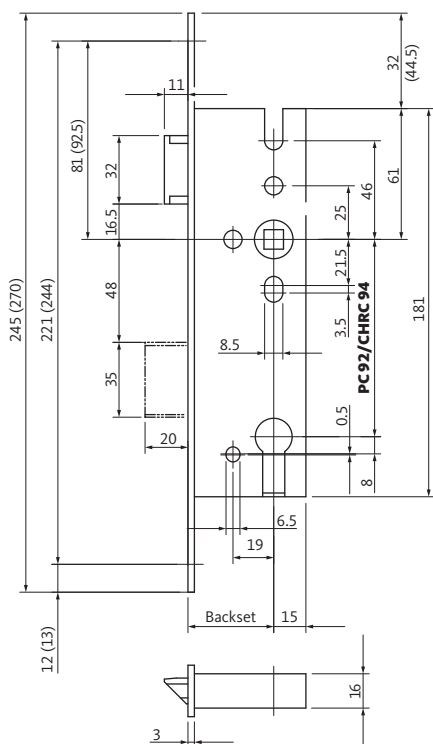
Faceplate Material/Finish	Backset, mm	Faceplate Shape	Faceplate 24 x 3 x 245 mm	
			DIN LH	DIN RH
Matt stainless steel	35	Square	B 1311 0053	B 1311 0054
	40	Square	B 1311 0055	B 1311 0056
	45	Square	B 1311 0057	B 1311 0058
Steel, nickel silver	35	Square	B 1311 0043	B 1311 0044
	40	Square	B 1311 0045	B 1311 0046
	45	Square	B 1311 0047	B 1311 0048
Faceplate Material/Finish	Backset, mm	Faceplate Shape	U-faceplate 24 x 6 x 2 x 245 mm	
			DIN LH	DIN RH
Matt stainless steel	34	Square	B 1311 0203	B 1311 0204
	39	Square	B 1311 0205	B 1311 0206
	44	Square	B 1311 0207	B 1311 0208
Faceplate Material/Finish	Backset, mm	Faceplate Shape	Faceplate 24 x 3 x 270 mm	
			DIN LH	DIN RH
Matt stainless steel	35	Square	B 1311 0003	B 1311 0004
	40	Square	B 1311 0005	B 1311 0006
	45	Square	B 1311 0007	B 1311 0008
Steel, nickel silver	35	Square	B 1311 0013	B 1311 0014
	40	Square	B 1311 0015	B 1311 0016
	45	Square	B 1311 0017	B 1311 0018
Faceplate Material/Finish	Backset, mm	Faceplate Shape	U-faceplate 24 x 6 x 2 x 268 mm	
			DIN LH	DIN RH
Matt stainless steel	34	Square	B 1311 0213	B 1311 0214
	39	Square	B 1311 0215	B 1311 0216
	44	Square	B 1311 0217	B 1311 0218

Additional options (available on request)

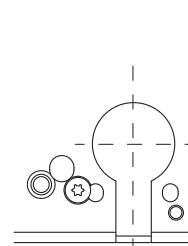
Faceplate		Follower	Backset, mm	Special version	Suitable strikers
Material/Finish	Width				
-	-	-	-	Deadbolt monitoring (from 35 mm spindle length) Deadbolt with anti-saw protection (from 30 mm backset) Swiss RC-hole	B-90000-04-0-8 B-90000-26-0-8

B 1314 narrow stile lock

for 1-leaf doors



Detail: version with PC-hole



Detail: version with Swiss RC-hole (on request)

B 1314 narrow stile lock

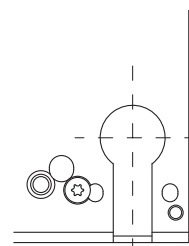
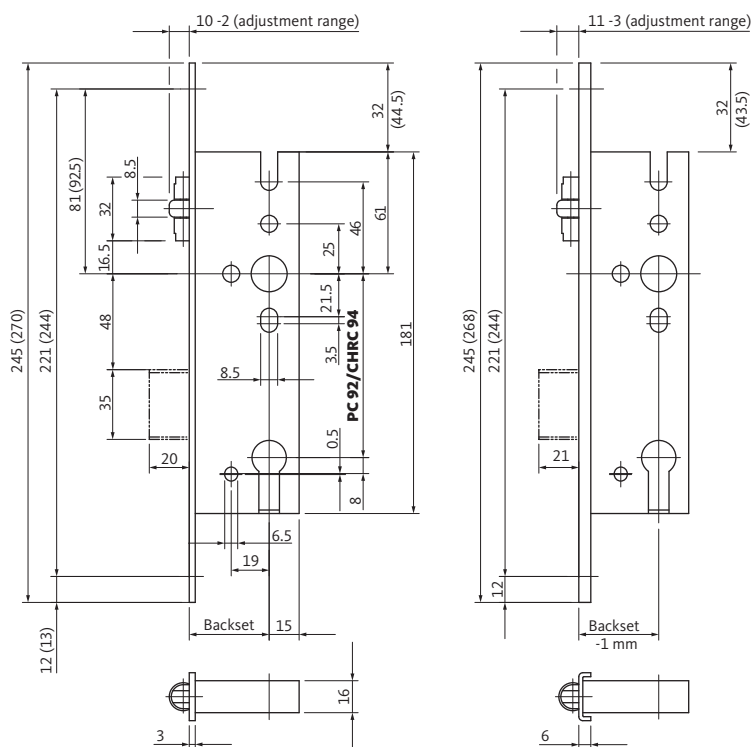
Faceplate Material/Finish	Backset, mm	Faceplate Shape	Faceplate 24 x 3 x 245 mm Non-handed
Matt stainless steel	25	Square	B 1314 0001
	30	Square	B 1314 0002
	35	Square	B 1314 0003
	40	Square	B 1314 0004
	45	Square	B 1314 0005
Steel, nickel silver	25	Square	B 1314 0011
	30	Square	B 1314 0012
	35	Square	B 1314 0013
	40	Square	B 1314 0014
	45	Square	B 1314 0015
Faceplate Material/Finish	Backset, mm	Faceplate Shape	U-faceplate 24 x 6 x 2 x 245 mm Non-handed
Matt stainless steel	24	Square	B 1314 0031
	29	Square	B 1314 0032
	34	Square	B 1314 0033
	39	Square	B 1314 0034
	44	Square	B 1314 0035
Faceplate Material/Finish	Backset, mm	Faceplate Shape	Faceplate 24 x 3 x 270 mm Non-handed
Matt stainless steel	25	Square	B 1314 0081
	30	Square	B 1314 0082
	35	Square	B 1314 0083
	40	Square	B 1314 0084
	45	Square	B 1314 0085
Steel, nickel silver	25	Square	B 1314 0091
	30	Square	B 1314 0092
	35	Square	B 1314 0093
	40	Square	B 1314 0094
	45	Square	B 1314 0095
Faceplate Material/Finish	Backset, mm	Faceplate Shape	U-faceplate 24 x 6 x 2 x 268 mm Non-handed
Matt stainless steel	24	Square	B 1314 0021
	29	Square	B 1314 0022
	34	Square	B 1314 0023
	39	Square	B 1314 0024
	44	Square	B 1314 0025

Additional options (available on request)

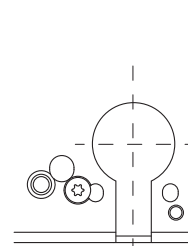
Faceplate		Follower	Backset, mm	Special version	Suitable strikers
Material/Finish	Width				
-	-	9 mm 10 mm	-	Deadbolt monitoring (from 35 mm spindle length) Deadbolt with anti-saw protection (from 30 mm backset) Swiss RC-hole	B-90000-04-0-8 B-90000-26-0-8

B 1315 roller latch lock

for 1-leaf doors



Detail: version with PC-hole



Detail: version with Swiss RC-hole (on request)

B 1315 roller-latch&deadbolt lock

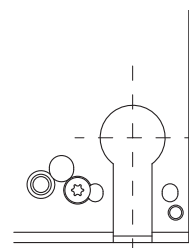
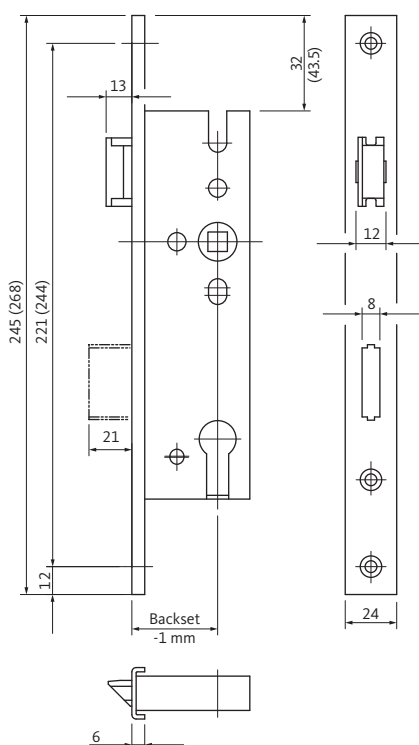
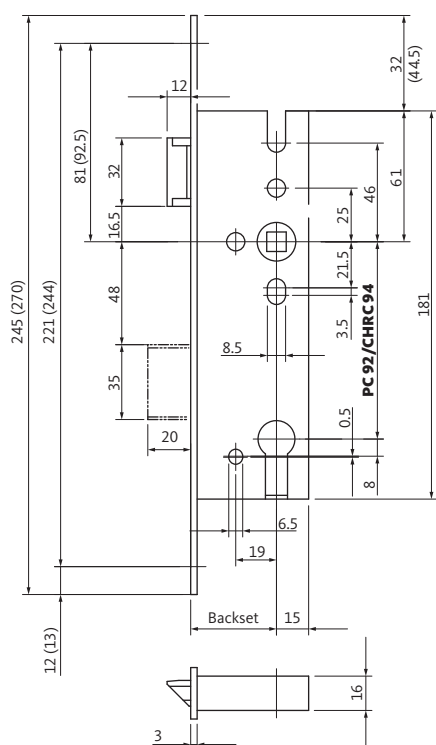
Faceplate Material/Finish	Backset, mm	Faceplate Shape	Faceplate 24 x 3 x 245 mm Non-handed
Matt stainless steel	25	Square	B 1315 0001
	30	Square	B 1315 0002
	35	Square	B 1315 0003
	40	Square	B 1315 0004
	45	Square	B 1315 0005
Steel, nickel silver	25	Square	B 1315 0011
	30	Square	B 1315 0012
	35	Square	B 1315 0013
	40	Square	B 1315 0014
	45	Square	B 1315 0015
Faceplate Material/Finish	Backset, mm	Faceplate Shape	U-faceplate 24 x 6 x 2 x 245 mm Non-handed
Matt stainless steel	24	Square	B 1315 0031
	29	Square	B 1315 0032
	34	Square	B 1315 0033
	39	Square	B 1315 0034
	44	Square	B 1315 0035
Faceplate Material/Finish	Backset, mm	Faceplate Shape	Faceplate 24 x 3 x 270 mm Non-handed
Matt stainless steel	25	Square	B 1315 0041
	30	Square	B 1315 0042
	35	Square	B 1315 0043
	40	Square	B 1315 0044
	45	Square	B 1315 0045
Faceplate Material/Finish	Backset, mm	Faceplate Shape	U-faceplate 24 x 6 x 2 x 268 mm Non-handed
Matt stainless steel	24	Square	B 1315 0021
	29	Square	B 1315 0022
	34	Square	B 1315 0023
	39	Square	B 1315 0024
	44	Square	B 1315 0025

Additional options (available on request)

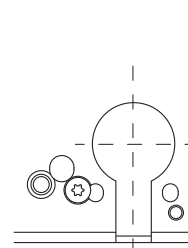
Faceplate		Follower	Backset, mm	Special version	Suitable strikers
Material/Finish	Width				
-	-	9 mm	-	Deadbolt monitoring (from 35 mm spindle length) Deadbolt with anti-saw protection (from 30 mm backset) Swiss RC-hole	B-90000-04-0-8 B-90000-26-0-8

B 1316 panic lock

for 1-leaf doors



Detail: version with PC-hole



Detail: version with Swiss RC-hole (on request)



B 1316 panic lock with flat faceplate

Faceplate Material/Finish	Backset, mm	Faceplate Shape	Panic function E			
			Faceplate 24 x 3 x 245 mm		Faceplate 24 x 3 x 270 mm	
			DIN LH	DIN RH	DIN LH	DIN RH
Matt stainless steel	35	Square	B 1316 0243	B 1316 0244	B 1316 0203	B 1316 0204
	40	Square	B 1316 0245	B 1316 0246	B 1316 0205	B 1316 0206
	45	Square	B 1316 0247	B 1316 0248	B 1316 0207	B 1316 0208

B 1316 panic lock with U-faceplate

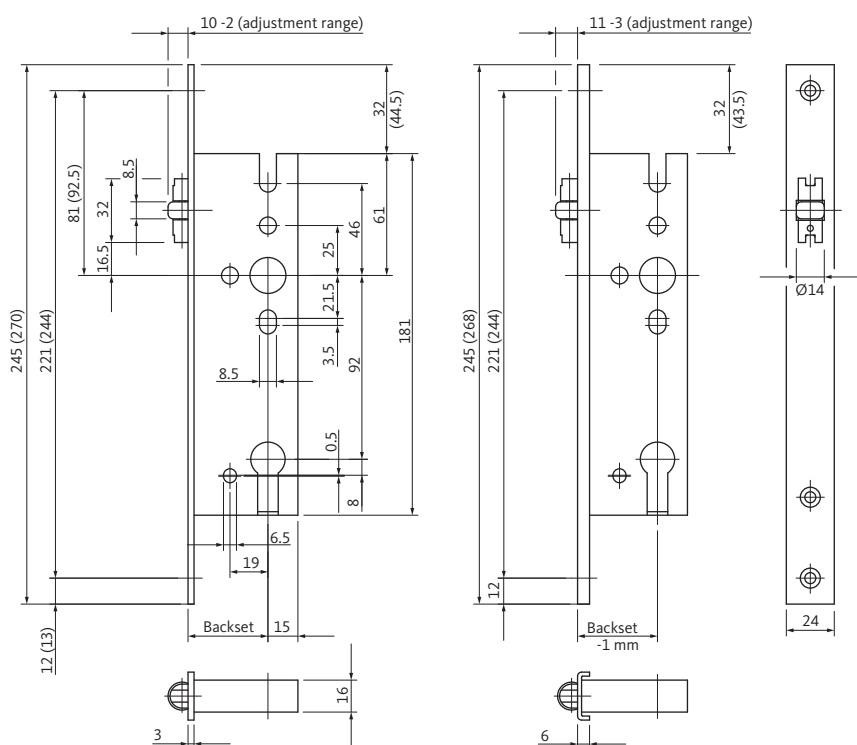
Faceplate Material/Finish	Backset, mm	Faceplate Shape	Panic function E			
			U-faceplate 24 x 6 x 2 x 245 mm		U-faceplate 24 x 6 x 2 x 268 mm	
			DIN LH	DIN RH	DIN LH	DIN RH
Matt stainless steel	34	Square	B 1316 0253	B 1316 0254	B 1316 0213	B 1316 0214
	39	Square	B 1316 0255	B 1316 0256	B 1316 0215	B 1316 0216
	44	Square	B 1316 0257	B 1316 0258	B 1316 0217	B 1316 0218

Additional options (available on request)

Faceplate		Follower	Backset, mm	Special version	Suitable strikers
Material/Finish	Width				
-	-	-	-	Deadbolt monitoring (from 35 mm spindle length) Swiss RC-hole	B-90000-04-0-8 B-90000-26-0-8

B 1325 roller latch lock

for 1-leaf doors



B 1325 roller latch lock

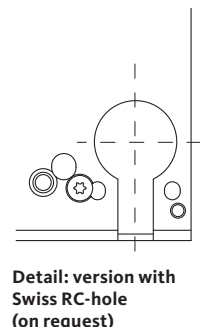
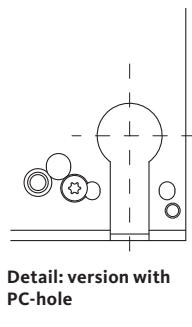
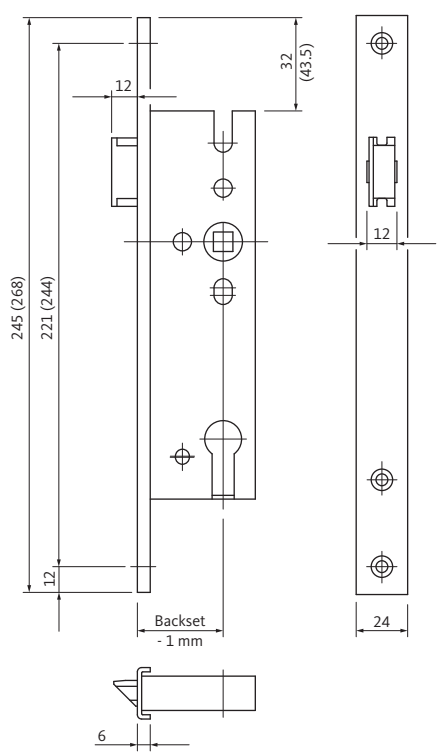
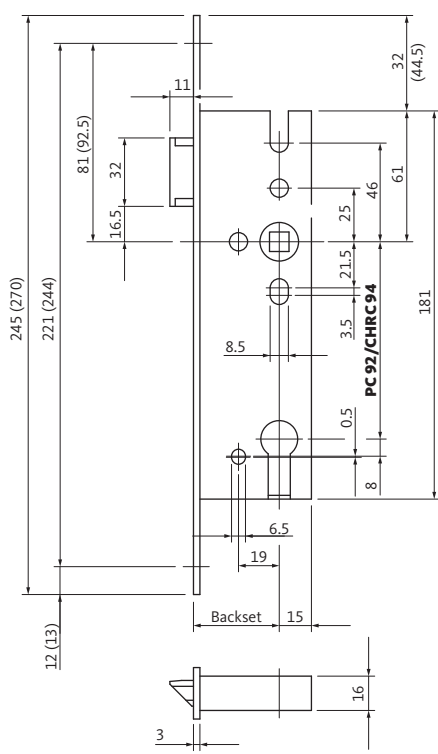
Faceplate Material/Finish	Backset, mm	Faceplate Shape	Faceplate 24 x 3 x 245 mm Non-handed
Matt stainless steel	25	Square	B 1325 0001
	30	Square	B 1325 0002
	35	Square	B 1325 0003
	40	Square	B 1325 0004
	45	Square	B 1325 0005
Steel, nickel silver	25	Square	B 1325 0011
	30	Square	B 1325 0012
	35	Square	B 1325 0013
	40	Square	B 1325 0014
	45	Square	B 1325 0015
Faceplate Material/Finish	Backset, mm	Faceplate Shape	U-faceplate 24 x 6 x 2 x 245 mm Non-handed
Matt stainless steel	24	Square	B 1325 0031
	29	Square	B 1325 0032
	34	Square	B 1325 0033
	39	Square	B 1325 0034
	44	Square	B 1325 0035
Faceplate Material/Finish	Backset, mm	Faceplate Shape	Faceplate 24 x 3 x 270 mm Non-handed
Matt stainless steel	25	Square	B 1325 0041
	30	Square	B 1325 0042
	35	Square	B 1325 0043
	40	Square	B 1325 0044
	45	Square	B 1325 0045
Faceplate Material/Finish	Backset, mm	Faceplate Shape	U-faceplate 24 x 6 x 2 x 268 mm Non-handed
Matt stainless steel	24	Square	B 1325 0021
	29	Square	B 1325 0022
	34	Square	B 1325 0023
	39	Square	B 1325 0024
	44	Square	B 1325 0025

Additional options (available on request)

Faceplate		Follower	Backset, mm	Special version	Suitable strikers	
Material/Finish	Width				DIN LH	DIN RH
-	-	-	-	-	B-90000-52-L-8	B-90000-52-R-8
					B-90000-00-0-8	

B 1327 latch lock

for 1-leaf doors



B 1327 latch lock

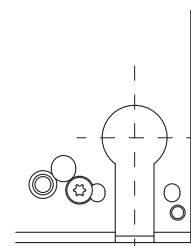
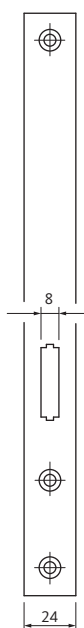
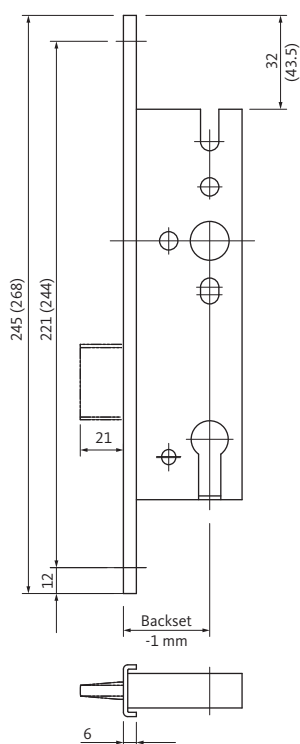
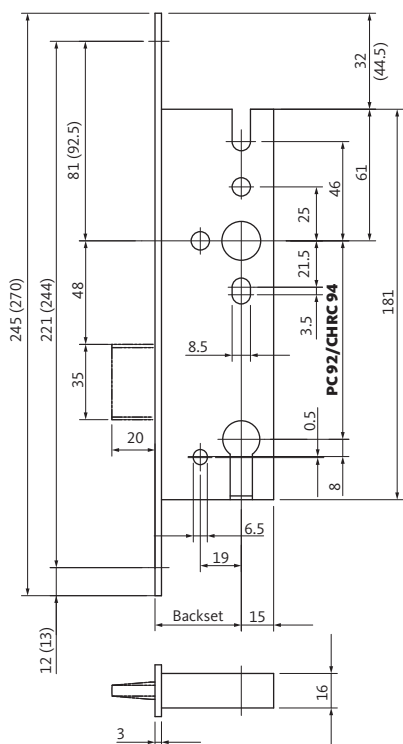
Faceplate Material/Finish	Backset, mm	Faceplate Shape	Faceplate 24 x 3 x 245 mm Non-handed
Matt stainless steel	25	Square	B 1327 0001
	30	Square	B 1327 0002
	35	Square	B 1327 0003
	40	Square	B 1327 0004
	45	Square	B 1327 0005
Steel, nickel silver	25	Square	B 1327 0011
	30	Square	B 1327 0012
	35	Square	B 1327 0013
	40	Square	B 1327 0014
	45	Square	B 1327 0015
Faceplate Material/Finish	Backset, mm	Faceplate Shape	U-faceplate 24 x 6 x 2 x 245 mm Non-handed
Matt stainless steel	24	Square	B 1327 0031
	29	Square	B 1327 0032
	34	Square	B 1327 0033
	39	Square	B 1327 0034
	44	Square	B 1327 0035
Faceplate Material/Finish	Backset, mm	Faceplate Shape	Faceplate 24 x 3 x 270 mm Non-handed
Matt stainless steel	25	Square	B 1327 0041
	30	Square	B 1327 0042
	35	Square	B 1327 0043
	40	Square	B 1327 0044
	45	Square	B 1327 0045
Faceplate Material/Finish	Backset, mm	Faceplate Shape	U-faceplate 24 x 6 x 2 x 268 mm Non-handed
Matt stainless steel	24	Square	B 1327 0021
	29	Square	B 1327 0022
	34	Square	B 1327 0023
	39	Square	B 1327 0024
	44	Square	B 1327 0025

Additional options (available on request)

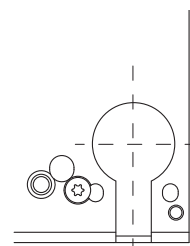
Faceplate		Follower	Backset, mm	Special version	Suitable strikers	
Material/Finish	Width				DIN LH	DIN RH
-	-	9 mm 10 mm	-	Swiss RC-hole	B-90000-52-L-8 B-90000-00-0-8	B-90000-52-R-8

B 1328 deadbolt lock

for 1-leaf doors



Detail: version with PC-hole



Detail: version with Swiss RC-hole (on request)

B 1328 deadbolt lock

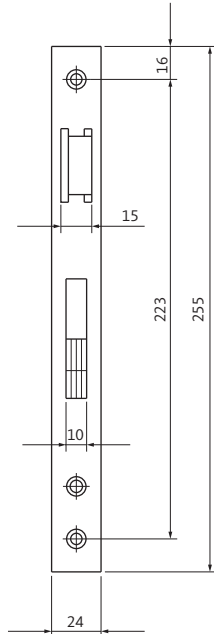
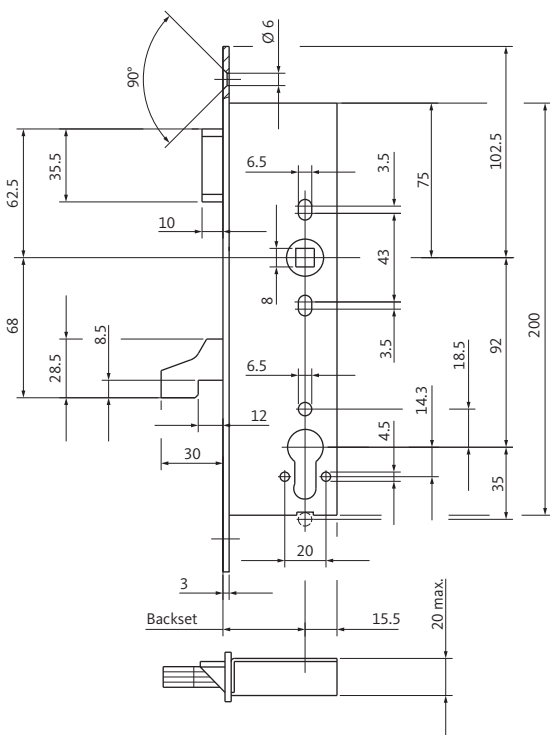
Faceplate Material/Finish	Backset, mm	Faceplate Shape	Faceplate 24 x 3 x 245 mm Non-handed
Matt stainless steel	25	Square	B 1328 0001
	30	Square	B 1328 0002
	35	Square	B 1328 0003
	40	Square	B 1328 0004
	45	Square	B 1328 0005
Steel, nickel silver	25	Square	B 1328 0041
	30	Square	B 1328 0042
	35	Square	B 1328 0043
	40	Square	B 1328 0044
	45	Square	B 1328 0045
Faceplate Material/Finish	Backset, mm	Faceplate Shape	U-faceplate 24 x 3 x 2 x 245 mm Non-handed
Matt stainless steel	24	Square	B 1328 0031
	29	Square	B 1328 0032
	34	Square	B 1328 0033
	39	Square	B 1328 0034
	44	Square	B 1328 0035
Faceplate Material/Finish	Backset, mm	Faceplate Shape	Faceplate 24 x 3 x 270 mm Non-handed
Matt stainless steel	25	Square	B 1328 0011
	30	Square	B 1328 0012
	35	Square	B 1328 0013
	40	Square	B 1328 0014
	45	Square	B 1328 0015
Faceplate Material/Finish	Backset, mm	Faceplate Shape	U-faceplate 24 x 3 x 2 x 268 mm Non-handed
Matt stainless steel	24	Square	B 1328 0021
	29	Square	B 1328 0022
	34	Square	B 1328 0023
	39	Square	B 1328 0024
	44	Square	B 1328 0025

Additional options (available on request)

Faceplate		Follower	Backset, mm	Special version	Suitable strikers
Material/Finish	Width				
-	-		-	Deadbolt monitoring (from 35 mm spindle length) Deadbolt with anti-saw protection (from 30 mm backset) Swiss RC-hole	B-90000-02-0-8

1425 security lock

with pivoting hook bolt



1425 lock with pivoting hook bolt

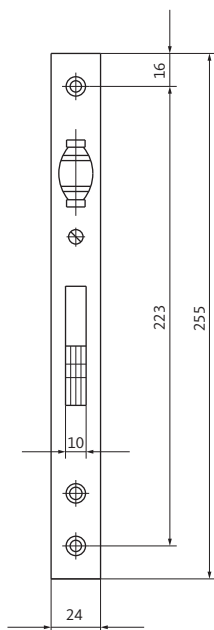
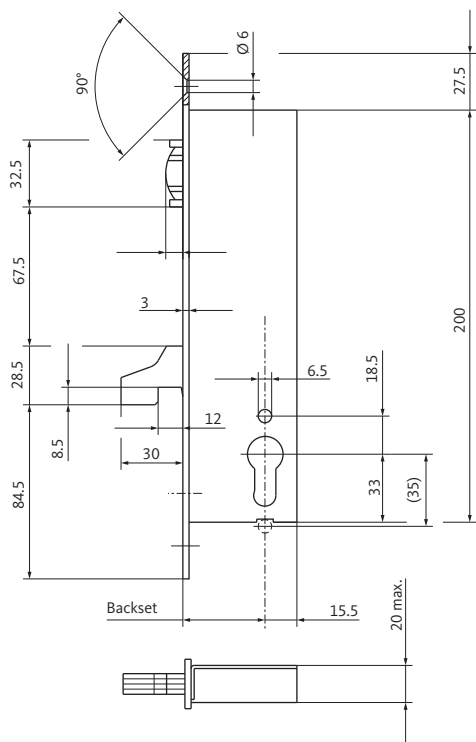
Faceplate Material/Finish	Backset, mm	Faceplate Shape	Faceplate 24 x 3 x 255 mm Non-handed
Steel, nickel silver	25	Square	14250017
	30	Square	14250018
	35	Square	14250019
	40	Square	14250020
Matt stainless steel	25	Square	14250021
	30	Square	14250022
	35	Square	14250023
	40	Square	14250024

Additional options (available on request)

Faceplate		Follower	Backset, mm	Special version	Suitable strikers
Material/Finish	Width				
-	-	9 mm	-	-	S4910046 (nickel silver) S4910047 (stainless steel)

1426 security lock

with pivoting hook bolt and roller latch



1426 lock with pivoting hook bolt and roller latch

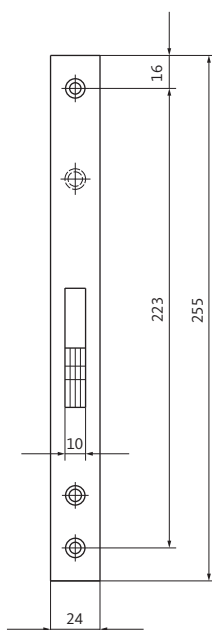
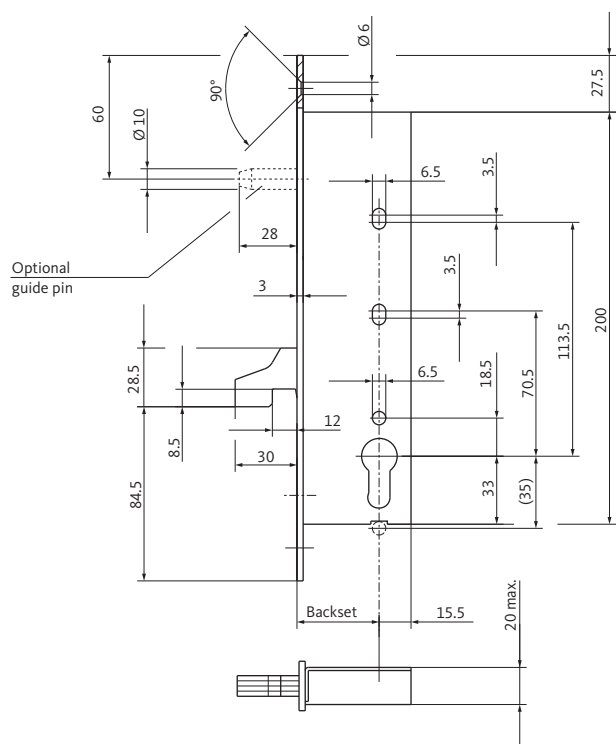
Faceplate Material/Finish	Backset, mm	Faceplate Shape	Faceplate 24 x 3 x 255 mm Non-handed
Steel, nickel silver	25	Square	14260009
	30	Square	14260010
	35	Square	14260003
	40	Square	14260004
Matt stainless steel	25	Square	14260011
	30	Square	14260012
	35	Square	14260013
	40	Square	14260008

Additional options (available on request)

Faceplate		Follower	Backset, mm	Special version	Suitable strikers
Material/Finish	Width				
-	-	9 mm	-	-	S4910075 (nickel silver) S4910059 (stainless steel)

1427 security lock

with pivoting hook bolt



1427 lock with pivoting hook bolt

Faceplate Material/Finish	Backset, mm	Faceplate Shape	Faceplate 24 x 3 x 255 mm Non-handed
Steel, nickel silver	25	Square	14270005
	30	Square	14270006
	35	Square	14270007
	40	Square	14270008
Matt stainless steel	25	Square	14270013
	30	Square	14270014
	35	Square	14270015
	40	Square	14270016

Additional options (available on request)

Faceplate		Follower	Backset, mm	Special version	Suitable strikers
Material/Finish	Width				
-	-	-	-	Guide pin	S4910037 (nickel silver) S4910038 (stainless steel)

B-1828 fire protection door lock

Faceplate Material/Finish	Backset, mm	Faceplate Shape	Faceplate 24 x 3 x 270 mm	
			Non-handed	5 mm latch projection Non-handed
Matt stainless steel	25	Square	B-18280-22-U-8	B-18280-23-U-8
	30	Square	B-18280-00-U-8	B-18280-04-U-8
	35	Square	B-18280-01-U-8	B-18280-05-U-8
	40	Square	B-18280-02-U-8	B-18280-06-U-8
	45	Square	B-18280-03-U-8	B-18280-07-U-8

B-1828 fire protection door lock

Faceplate Material/Finish	Backset, mm	Faceplate Shape	U-faceplate 24 x 6 x 2 x 268 mm	
			Non-handed	
Matt stainless steel	35	Square	B-18280-21-U-8	
	40	Square	B-18280-30-U-8	
	45	Square	B-18280-36-U-8	

B-1828 fire protection door lock with Swiss RC-hole

Faceplate Material/Finish	Backset, mm	Faceplate Shape	Faceplate 24 x 3 x 270 mm	
			Swiss RC-hole	Non-handed
Matt stainless steel	30	Square	B-18280-12-U-8	
	35	Square	B-18280-13-U-8	
	40	Square	B-18280-14-U-8	
	45	Square	B-18280-15-U-8	

Additional options (available on request)

Faceplate		Follower	Backset, mm	Special version	Suitable strikers
Material/Finish	Special faceplate				
Stainless steel, gold-plated matt	U-faceplate Adapter faceplate	-	50 55 60 65	Lock monitoring Deadbolt with anti-saw protection	B 9000 1045 B 9000 1218

B-1838 fire protection door lock with top-locking feature

Faceplate Material/Finish	Backset, mm	Faceplate Shape	Faceplate 24 x 3 x 270 mm
			Non-handed
Matt stainless steel	30	Square	B-18380-00-U-8
	35	Square	B-18380-01-U-8
	40	Square	B-18380-02-U-8
	45	Square	B-18380-03-U-8

B-1838 fire protection door lock with top-locking feature and Swiss RC-hole

Faceplate Material/Finish	Backset, mm	Faceplate Shape	Faceplate 24 x 3 x 270 mm
			Swiss RC-hole Non-handed
Matt stainless steel	35	Square	B-18380-07-U-8
	40	Square	B-18380-08-U-8
	45	Square	B-18380-09-U-8

Additional options (available on request)

Faceplate		Follower	Backset, mm	Special version	Suitable strikers
Material/Finish	Special faceplate				
Stainless steel, gold-plated matt	U-faceplate Adapter faceplate	-	50 55 60 65	Lock monitoring Deadbolt with anti-saw protection	B 9000 1045 B 9000 1218

B-1839 fire protection door lock with top-locking feature; with locked deadbolt both handles at idle

Faceplate Material/Finish	Backset, mm	Faceplate Shape	Faceplate 24 x 3 x 270 mm
			Non-handed
Matt stainless steel	30	Square	B-18390-00-U-8
	35	Square	B-18390-01-U-8
	40	Square	B-18390-02-U-8
	45	Square	B-18390-03-U-8

B-1839 fire protection door lock with top-locking feature and Swiss RC-hole; with locked deadbolt both handles at idle

Faceplate Material/Finish	Backset, mm	Faceplate Shape	Faceplate 24 x 3 x 270 mm
			Swiss RC-hole Non-handed
Matt stainless steel	35	Square	B-18390-10-U-8
	40	Square	B-18390-11-U-8
	45	Square	B-18390-12-U-8

Additional options (available on request)

Faceplate	Special faceplate	Follower	Backset, mm	Special version	Suitable strikers
Material/Finish					
Stainless steel, gold-plated matt	U-faceplate Adapter faceplate	-	50 55 60 65	Lock monitoring Deadbolt with anti-saw protection	B 9000 1045 B 9000 1218

B 1793 shoot-bolt lock

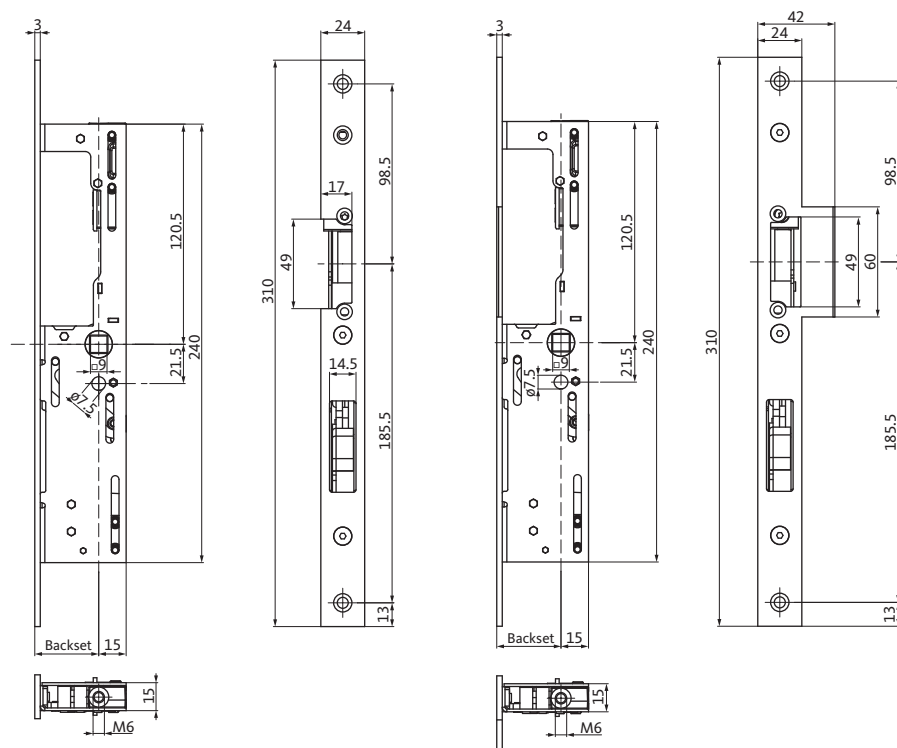
for automatic locking, prepared for use with electric strike



Functional description

When the passive leaf is closed, automatic locking of the spring-loaded vertical rods at the top and bottom is triggered by passive-leaf control lock B 1895. The door is only locked once this locking operation has been performed. When unlocking, the vertical rods are retracted into the passive leaf by operating the vertical lever or panic push bar which simultaneously pushes the deadbolt and latch back into the lock of the active leaf. Once the rotational movement of the hardware is completed, the vertical rods are automatically locked in place within the passive-leaf control lock. As they steplessly engage for as long as the passive leaf is open, the vertical rods are prevented from extending so the floor covering will not be damaged. Moreover, the (automatic) closing movement of the door leaf is not obstructed.

Suitable with METÖ B-9252 (see pages 442/443)



B 1793 shoot-bolt lock, prepared for METÖ B-9252 electric strike

Faceplate Material/Finish	Backset, mm	Faceplate Shape	Faceplate 24 x 3 x 310 mm	
			DIN LH	DIN RH
Matt stainless steel	35	Square	B 1793 6001	B 1793 6000
	40	Square	B 1793 6005	B 1793 6004
	45	Square	B 1793 6007	B 1793 6006
	54	Square	B 1793 6011	B 1793 6010
	60	Square	B 1793 6013	B 1793 6012
	65	Square	B 1793 6015	B 1793 6014

Also suitable for use with remote lock B 1798.

B 1793 shoot-bolt lock, prepared for METÖ B-9252 electric strike

Faceplate Material/Finish	Backset, mm	Faceplate Shape	Lipped faceplate dim. A = 42 mm	
			DIN LH	DIN RH
Matt stainless steel	35	Square	B 1793 6021	B 1793 6020
	40	Square	B 1793 6025	B 1793 6024
	45	Square	B 1793 6027	B 1793 6026
	54	Square	B 1793 6031	B 1793 6030
	60	Square	B 1793 6033	B 1793 6032
	65	Square	B 1793 6035	B 1793 6034

Also suitable for use with remote lock B 1798.

Additional options (available on request)

Faceplate		Follower	Backset, mm	Special version	Suitable locks
Material/Finish	Special faceplate				
-	-	-	55	-	B-1821/B-1823/B-1825 B-1827

B 1794 shoot-bolt lock

for automatic locking

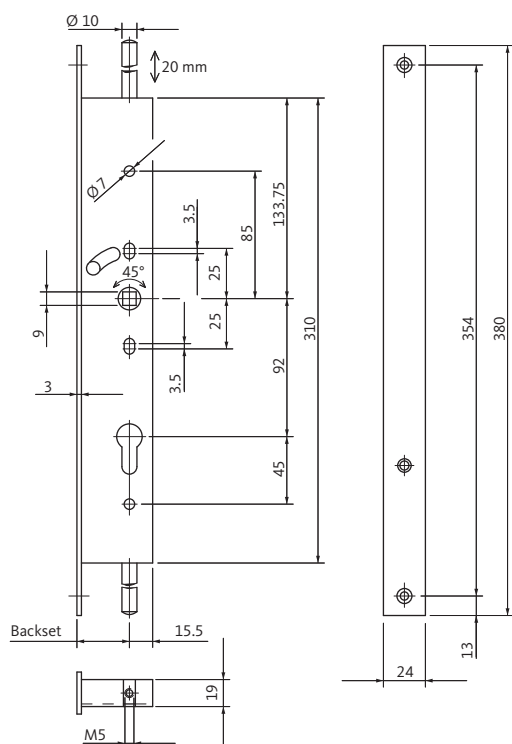


Functional description

1. **Blocking the vertical rods:**
Push down the lever handle until stop and keep it pushed, turn the key in the direction of the faceplate and return the lever handle to its initial position.
2. **Releasing the blocked vertical rods:**
Push down the lever handle until stop and keep it pushed, turn the key in the direction of the hinge and return the lever handle to its initial position.
3. **Panic function:**
The panic function is always ensured from inside and outside (one-piece follower).

Please note that when a push/pull handle is mounted on the outside and the vertical rods are not blocked (which means the door is closed), it is not possible to enter using the key as the lock has no latch lever. A secondary entrance door is mandatory.

For use in conjunction with rod B 9036 and control lock B 1895.



In the version "for fire protection doors" suitable for:



B 1794 shoot-bolt lock

Faceplate Material/Finish	Backset, mm	Faceplate Shape	Faceplate 24 x 3 x 380 mm Non-handed	Faceplate Shape	Faceplate 24 x 3 x 380 mm Non-handed
Matt stainless steel	35	Round	B 1794 0045	Square	B 1794 0031
	40	Round	B 1794 0046	Square	B 1794 0032
	45	Round	B 1794 0047	Square	B 1794 0033
	50	Round	B 1794 0048	Square	B 1794 0034
	55	Round	B 1794 0049	Square	B 1794 0035
	60	Round	B 1794 0050	Square	B 1794 0036
	65	Round	B 1794 0051	Square	B 1794 0037

Function:

1. Vertical rod can be withdrawn at any time, and locked/unlocked with the key.
2. When retracted, the vertical rod can be locked in place with the key (**no fire protection**).

B 1794 shoot-bolt lock for fire protection doors

Faceplate Material/Finish	Backset, mm	Faceplate Shape	Faceplate 24 x 3 x 380 mm Non-handed	Faceplate Shape	Faceplate 24 x 3 x 380 mm Non-handed
Matt stainless steel	35	Round	B 1794 0052	Square	B 1794 0038
	40	Round	B 1794 0053	Square	B 1794 0039
	45	Round	B 1794 0054	Square	B 1794 0040
	50	Round	B 1794 0055	Square	B 1794 0041
	55	Round	B 1794 0056	Square	B 1794 0042
	60	Round	B 1794 0057	Square	B 1794 0043
	65	Round	B 1794 0058	Square	B 1794 0044

Function:

1. Vertical rod can be withdrawn at any time via lever handle, and locked/unlocked with the key, but not locked in place (**fire protection**).

B 1794 shoot-bolt lock with panic function

Faceplate Material/Finish	Backset, mm	Faceplate Shape	Faceplate 24 x 3 x 380 mm Non-handed
Matt stainless steel	35	Square	B 1794 0131
	40	Square	B 1794 0132
	45	Square	B 1794 0133
	50	Square	B 1794 0134
	55	Square	B 1794 0135
	60	Square	B 1794 0136
	65	Square	B 1794 0137

Function:

1. Vertical rod can be withdrawn at any time via a lever handle (**panic function**).
2. When retracted, the vertical rod can be locked in place with the key (**no fire protection**).

Additional options (available on request)

Faceplate		Follower	Backset, mm	Special versions
Material/Finish	Width			
Stainless steel, gold-plated matt	28 mm x 380 mm	-	-	-

B-1820 panic lock

for 1-leaf doors

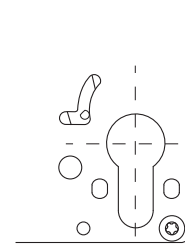
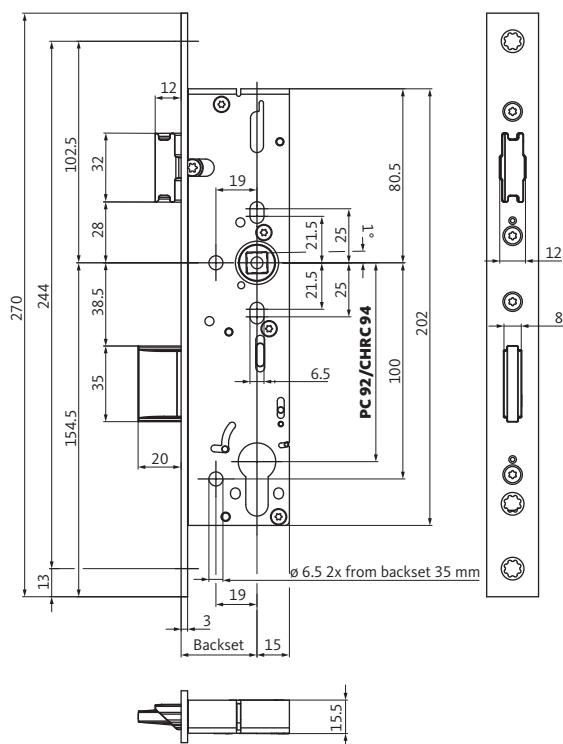


Functional description

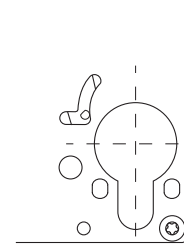
Panic function B

The exterior lever handle can be activated for "daytime" operation. It is set to idle again by locking the door via the locking cylinder and authorised key, so the door cannot be opened from outside. The door can be opened in the escape direction at any time.

For a detailed functional description see page 40



Detail: version with PC-hole



Detail: version with Swiss RC-hole



B-1820 panic lock for 1-leaf doors

Faceplate Material/Finish	Backset, mm	Faceplate Shape	Faceplate 24 x 3 x 270 mm	
			Non-handed	5 mm latch projection Non-handed
Matt stainless steel	30	Square	B-18200-00-L-8*	B-18200-04-L-8*
	35	Square	B-18200-01-L-8*	B-18200-05-L-8*
	40	Square	B-18200-02-L-8*	B-18200-06-L-8*
	45	Square	B-18200-03-L-8*	B-18200-07-L-8*

B-1820 panic lock for 1-leaf doors

Faceplate Material/Finish	Backset, mm	Faceplate Shape	U-faceplate 24 x 6 x 2 x 268 mm	
			Non-handed	
Matt stainless steel	30	Square	B-18200-31-L-8*	
	35	Square	B-18200-16-L-8*	
	40	Square	B-18200-51-L-8*	
	45	Square	B-18200-19-L-8*	

B-1820 panic lock with Swiss RC-hole for 1-leaf doors

Faceplate Material/Finish	Backset, mm	Faceplate Shape	Faceplate 24 x 3 x 270 mm	
			Swiss RC-hole Non-handed	
Matt stainless steel	30	Square	B-18200-12-L-8*	
	35	Square	B-18200-13-L-8*	
	40	Square	B-18200-14-L-8*	
	45	Square	B-18200-15-L-8*	

*** Make 1 out of 4 – and 4 out of 1**

- reversible latch (non-handed)
- reversible panic function (inward/outward)

Additional options (available on request)

Faceplate		Follower	Backset, mm	Special version	Suitable strikers
Material/Finish	Special faceplate				
Stainless steel, gold-plated matt	U-faceplate Adapter faceplate	–	50 55 60 65	Lock monitoring Deadbolt with anti-saw protection	B 9000 1045 B 9000 1218

B-1821 panic lock for 2-leaf doors

Faceplate Material/Finish	Backset, mm	Faceplate Shape	Faceplate 24 x 3 x 270 mm	
			Non-handed	5 mm latch and deadbolt projection Non-handed
Matt stainless steel	30	Square	B-18210-00-L-8*	B-18210-04-L-8*
	35	Square	B-18210-01-L-8*	B-18210-05-L-8*
	40	Square	B-18210-02-L-8*	B-18210-06-L-8*
	45	Square	B-18210-03-L-8*	B-18210-07-L-8*

B-1821 panic lock for 2-leaf doors

Faceplate Material/Finish	Backset, mm	Faceplate Shape	U-faceplate 24 x 6 x 2 x 268 mm	
			Non-handed	
Matt stainless steel	35	Square	B-18210-16-L-8*	
	40	Square	B-18210-37-L-8*	
	45	Square	B-18210-17-L-8*	

B-1821 panic lock with Swiss RC-hole for 2-leaf doors

Faceplate Material/Finish	Backset, mm	Faceplate Shape	Faceplate 24 x 3 x 270 mm	
			Swiss RC-hole Non-handed	
Matt stainless steel	30	Square	B-18210-12-L-8*	
	35	Square	B-18210-13-L-8*	
	40	Square	B-18210-14-L-8*	
	45	Square	B-18210-15-L-8*	

*** Make 1 out of 4 – and 4 out of 1**

- reversible latch (non-handed)
- reversible panic function (inward/outward)

Additional options (available on request)

Faceplate		Follower	Backset, mm	Special version	Suitable shoot-bolt locks
Material/Finish	Special faceplate				
Stainless steel, gold-plated matt	U-faceplate Adapter faceplate	–	50 55 60 65	Lock monitoring Deadbolt with anti-saw protection	B 1793 B-1890

B-1822 panic lock

for 1-leaf doors

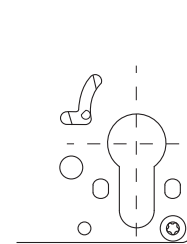
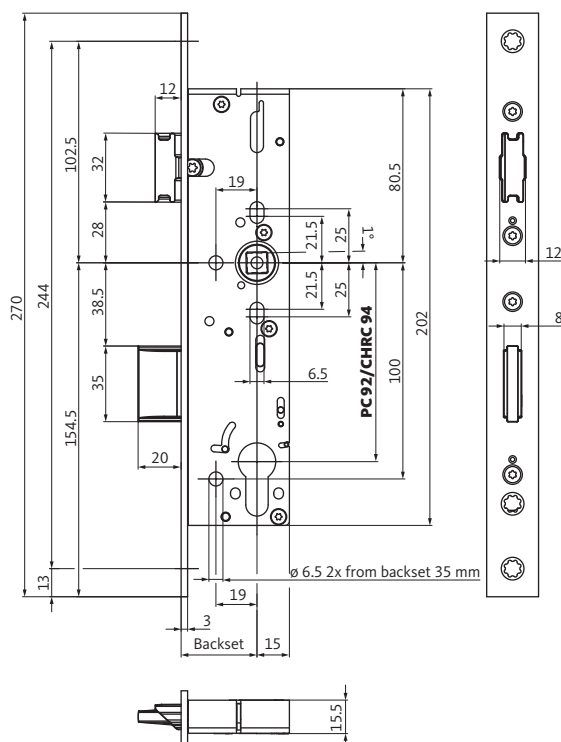


Functional description

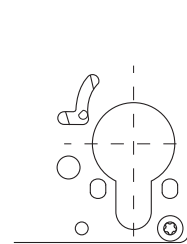
Panic function C

The exterior lever handle can only be activated by operating the locking cylinder. The lever handle is always set to idle when the key is removed. The door can be opened in the escape direction at any time.

For a detailed functional description see page 41



Detail: version with PC-hole



Detail: version with Swiss RC-hole (on request)



B-1822 panic lock for 1-leaf doors

Faceplate Material/Finish	Backset, mm	Faceplate Shape	Faceplate 24 x 3 x 270 mm	
			Non-handed	5 mm latch projection Non-handed
Matt stainless steel	30	Square	B-18220-00-L-8*	B-18220-04-L-8*
	35	Square	B-18220-01-L-8*	B-18220-05-L-8*
	40	Square	B-18220-02-L-8*	B-18220-06-L-8*
	45	Square	B-18220-03-L-8*	B-18220-07-L-8*

*** Make 1 out of 4 – and 4 out of 1**

- reversible latch (non-handed)
- reversible panic function (inward/outward)

Additional options (available on request)

Faceplate		Follower	Backset, mm	Special version	Suitable strikers
Material/Finish	Special faceplate				
Stainless steel, gold-plated matt	U-faceplate Adapter faceplate	-	50 55 60 65	Lock monitoring Deadbolt with anti-saw protection Swiss round cylinder	B 9000 1045 B 9000 1218

B-1823 panic lock

for 2-leaf doors

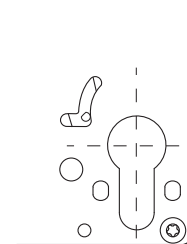
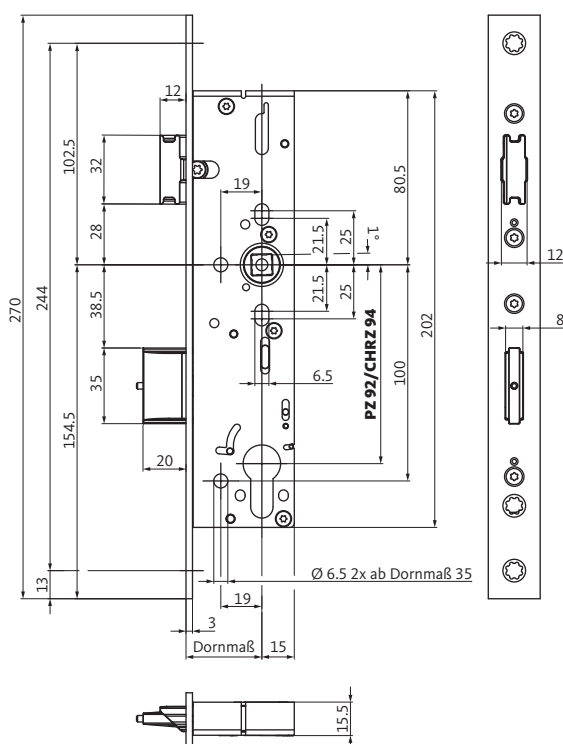


Functional description

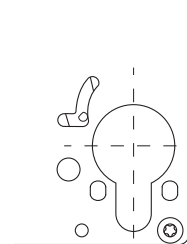
Panic function C

The exterior lever handle can only be activated by operating the locking cylinder. The lever handle is always set to idle when the key is removed. The door can be opened in the escape direction at any time.

For a detailed functional description see page 41



Detail: version with PC-hole



Detail: version with Swiss RC-hole



B-1823 panic lock for 2-leaf doors

Faceplate Material/Finish	Backset, mm	Faceplate Shape	Faceplate 24 x 3 x 270 mm	
			Non-handed	5 mm latch and deadbolt projection Non-handed
Matt stainless steel	30	Square	B-18230-01-L-8*	B-18230-05-L-8*
	35	Square	B-18230-02-L-8*	B-18230-06-L-8*
	40	Square	B-18230-03-L-8*	B-18230-07-L-8*
	45	Square	B-18230-04-L-8*	B-18230-08-L-8*

B-1823 panic lock with Swiss RC-hole for 2-leaf doors

Faceplate Material/Finish	Backset, mm	Faceplate Shape	Faceplate 24 x 3 x 270 mm	
			Swiss RC-hole Non-handed	
Matt stainless steel	30	Square	B-18230-10-L-8*	
	35	Square	B-18230-11-L-8*	
	40	Square	B-18230-12-L-8*	
	45	Square	B-18230-13-L-8*	

*** Make 1 out of 4 – and 4 out of 1**

- reversible latch (non-handed)
- reversible panic function (inward/outward)

Additional options (available on request)

Faceplate		Follower	Backset, mm	Special version	Suitable shoot-bolt locks
Material/Finish	Special faceplate				
Stainless steel, gold-plated matt	U-faceplate Adapter faceplate	–	50 55 60 65	Lock monitoring Deadbolt with anti-saw protection	B 1793 B-1890

B-1824 panic lock for 1-leaf doors

Faceplate Material/Finish	Backset, mm	Faceplate Shape	Faceplate 24 x 3 x 270 mm	
			Non-handed	5 mm latch projection Non-handed
Matt stainless steel	25	Square	B-18240-12-L-8*	-
	30	Square	B-18240-00-L-8*	B-18240-04-L-8*
	35	Square	B-18240-01-L-8*	B-18240-05-L-8*
	40	Square	B-18240-02-L-8*	B-18240-06-L-8*
	45	Square	B-18240-03-L-8*	B-18240-07-L-8*

B-1824 panic lock with Swiss RC-hole for 1-leaf doors

Faceplate Material/Finish	Backset, mm	Faceplate Shape	Faceplate 24 x 3 x 270 mm	
			Swiss RC-hole Non-handed	
Matt stainless steel	35	Square	B-18240-20-L-8*	
	40	Square	B-18240-21-L-8*	
	45	Square	B-18240-25-L-8*	

*** Make 1 out of 4 – and 4 out of 1**

- reversible latch (non-handed)
- reversible panic function (inward/outward)

Additional options (available on request)

Faceplate		Follower	Backset, mm	Special version	Suitable strikers
Material/Finish	Special faceplate				
Stainless steel, gold-plated matt	U-faceplate Adapter faceplate	-	50 55 60 65	Lock monitoring Deadbolt with anti-saw protection	B 9000 1045 B 9000 1218

B-1825 panic lock for 2-leaf doors

Faceplate Material/Finish	Backset, mm	Faceplate Shape	Faceplate 24 x 3 x 270 mm	
			Non-handed	5 mm latch and deadbolt projection Non-handed
Matt stainless steel	30	Square	B-18250-00-L-8*	B-18250-04-L-8*
	35	Square	B-18250-01-L-8*	B-18250-05-L-8*
	40	Square	B-18250-02-L-8*	B-18250-06-L-8*
	45	Square	B-18250-03-L-8*	B-18250-07-L-8*

B-1821 panic lock with Swiss RC-hole for 2-leaf doors

Faceplate Material/Finish	Backset, mm	Faceplate Shape	Faceplate 24 x 3 x 270 mm	
			Swiss RC-hole Non-handed	
Matt stainless steel	30	Square	B-18250-19-L-8*	
	35	Square	B-18250-20-L-8*	
	40	Square	B-18250-21-L-8*	

*** Make 1 out of 4 – and 4 out of 1**

- reversible latch (non-handed)
- reversible panic function (inward/outward)

Additional options (available on request)

Faceplate		Follower	Backset, mm	Special version	Suitable shoot-bolt locks
Material/Finish	Special faceplate				
Stainless steel, gold-plated matt	U-faceplate Adapter faceplate	–	50 55 60 65	Lock monitoring Deadbolt with anti-saw protection	B 1793 B-1890

B-1826 panic lock

for 1-leaf doors



Functional description

Panic function E

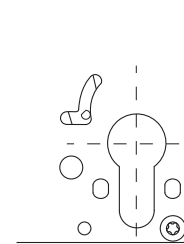
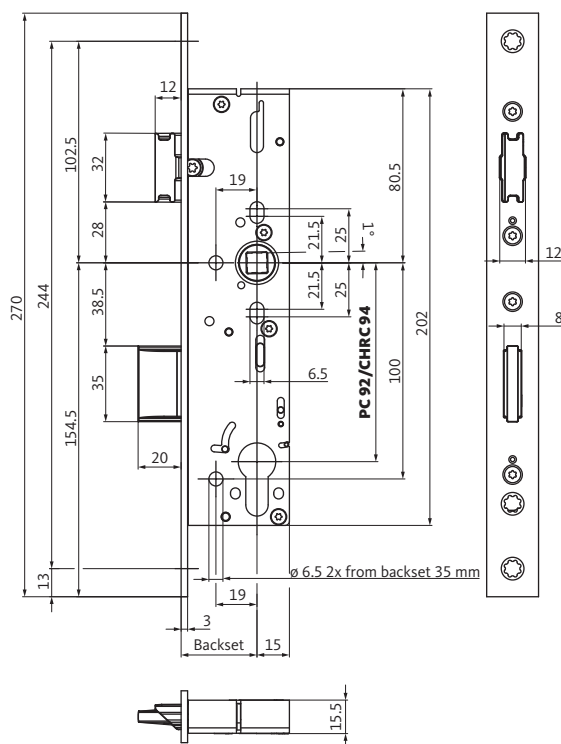
Operation from inside

Passage from inside to outside: the lever handle on the inside operates deadbolt and latch. Must be locked again (from the inside or outside) using the key.

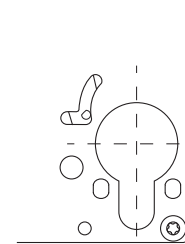
Operation from outside

Only a fixed knob or a push/pull handle are permitted as hardware. Latch and deadbolt are only operated by the key (via the latch lever). This retracts both locking elements.

For a detailed functional description see page 43



Detail: version with PC-hole



Detail: version with Swiss RC-hole



B-1826 panic lock for 1-leaf doors

Faceplate Material/Finish	Backset, mm	Faceplate Shape	Faceplate 24 x 3 x 270 mm	
			Non-handed	5 mm latch projection Non-handed
Matt stainless steel	25	Square	B-18260-25-U-8	B-18260-26-U-8
	30	Square	B-18260-00-U-8	B-18260-04-U-8
	35	Square	B-18260-01-U-8	B-18260-05-U-8
	40	Square	B-18260-02-U-8	B-18260-06-U-8
	45	Square	B-18260-03-U-8	B-18260-07-U-8

B-1826 panic lock for 1-leaf doors

Faceplate Material/Finish	Backset, mm	Faceplate Shape	U-faceplate 24 x 6 x 2 x 268 mm	
			Non-handed	
Matt stainless steel	30	Square	B-18260-35-U-8	
	35	Square	B-18260-18-U-8	
	40	Square	B-18260-41-U-8	
	45	Square	B-18260-22-U-8	

B-1826 panic lock with Swiss RC-hole for 1-leaf doors

Faceplate Material/Finish	Backset, mm	Faceplate Shape	Faceplate 24 x 3 x 270 mm	
			Swiss RC-hole Non-handed	
Matt stainless steel	30	Square	B-18260-12-U-8	
	35	Square	B-18260-13-U-8	
	40	Square	B-18260-14-U-8	
	45	Square	B-18260-15-U-8	

B-1826 panic lock for 1-leaf doors

Faceplate Material/Finish	Backset, mm	Faceplate Shape	Faceplate 24 x 3 x 270 mm	
			Key-controlled latch holdback (no fire approval) Non-handed	
Matt stainless steel	30	Square	B-18260-08-U-8	
	35	Square	B-18260-09-U-8	
	40	Square	B-18260-10-U-8	
	45	Square	B-18260-11-U-8	

Additional options (available on request)

Faceplate		Follower	Backset, mm	Special version	Suitable strikers
Material/Finish	Special faceplate				
Stainless steel, gold-plated matt	U-faceplate Adapter faceplate	-	50 55 60 65	Lock monitoring Deadbolt with anti-saw protection	B 9000 1045 B 9000 1218

B-1827 panic lock

for 2-leaf doors



Functional description

Panic function E

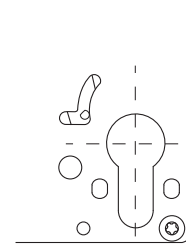
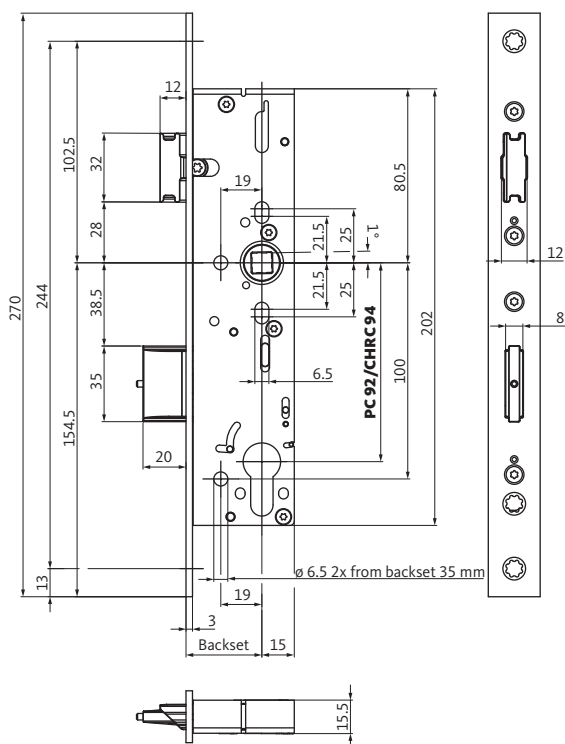
Operation from inside

Passage from inside to outside: the lever handle on the inside operates deadbolt and latch. Must be locked again (from the inside or outside) using the key.

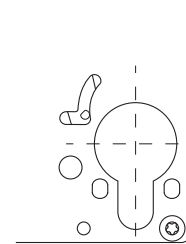
Operation from outside

Only a fixed knob or a push/pull handle are permitted as hardware. Latch and deadbolt are only operated by the key (via the latch lever). This retracts both locking elements.

For a detailed functional description see page 43



Detail: version with PC-hole



Detail: version with Swiss RC-hole



B-1827 panic lock for 2-leaf doors

Faceplate Material/Finish	Backset, mm	Faceplate Shape	Faceplate 24 x 3 x 270 mm	
			Non-handed	5 mm latch and deadbolt projection Non-handed
Matt stainless steel	30	Square	B-18270-00-U-8	B-18270-04-U-8
	35	Square	B-18270-01-U-8	B-18270-05-U-8
	40	Square	B-18270-02-U-8	B-18270-06-U-8
	45	Square	B-18270-03-U-8	B-18270-07-U-8

B-1827 panic lock for 2-leaf doors

Faceplate Material/Finish	Backset, mm	Faceplate Shape	U-faceplate 24 x 6 x 2 x 268 mm	
			Non-handed	
Matt stainless steel	30	Square	B-18270-43-U-8	
	35	Square	B-18270-20-U-8	
	45	Square	B-18270-21-U-8	

B-1827 panic lock with Swiss RC-hole for 2-leaf doors

Faceplate Material/Finish	Backset, mm	Faceplate Shape	Faceplate 24 x 3 x 270 mm	
			Swiss RC-hole Non-handed	
Matt stainless steel	30	Square	B-18270-12-U-8	
	35	Square	B-18270-13-U-8	
	40	Square	B-18270-14-U-8	
	45	Square	B-18270-15-U-8	

B-1827 panic lock for 2-leaf doors

Faceplate Material/Finish	Backset, mm	Faceplate Shape	Faceplate 24 x 3 x 270 mm	
			Key-controlled latch holdback (no fire approval) Non-handed	
Matt stainless steel	30	Square	B-18270-08-U-8	
	35	Square	B-18270-09-U-8	
	40	Square	B-18270-10-U-8	
	45	Square	B-18270-11-U-8	

Additional options (available on request)

Faceplate		Follower	Backset, mm	Special version	Suitable shoot-bolt locks
Material/Finish	Special faceplate				
Stainless steel, gold-plated matt	U-faceplate Adapter faceplate	-	50 55 60 65	Lock monitoring Deadbolt with anti-saw protection	B 1793 B-1890

B-1830 panic lock with top-locking feature for 1-leaf doors

Faceplate Material/Finish	Backset, mm	Faceplate Shape	Faceplate 24 x 3 x 270 mm Non-handed
Matt stainless steel	30	Square	B-18300-00-L-8*
	35	Square	B-18300-01-L-8*
	40	Square	B-18300-02-L-8*
	45	Square	B-18300-03-L-8*

B-1830 panic lock with Swiss RC-hole for 1-leaf doors, with top-locking feature

Faceplate Material/Finish	Backset, mm	Faceplate Shape	Faceplate 24 x 3 x 270 mm Swiss RC-hole Non-handed
Matt stainless steel	35	Square	B-18300-09-L-8*
	40	Square	B-18300-10-L-8*
	45	Square	B-18300-11-L-8*

*** Make 1 out of 4 – and 4 out of 1**

- reversible latch (non-handed)
- reversible panic function (inward/outward)

Additional options (available on request)

Faceplate		Follower	Backset, mm	Special version	Suitable strikers
Material/Finish	Special faceplate				
Stainless steel, gold-plated matt	U-faceplate Adapter faceplate	–	50 55 60 65	Lock monitoring (faceplate 320 mm) Deadbolt with anti-saw protection	B 9000 1045 B 9000 1218

B-1831 panic lock for 2-leaf doors with top-locking feature

Faceplate Material/Finish	Backset, mm	Faceplate Shape	Faceplate 24 x 3 x 270 mm Non-handed
Matt stainless steel	30	Square	B-18310-00-L-8*
	35	Square	B-18310-01-L-8*
	40	Square	B-18310-02-L-8*
	45	Square	B-18310-03-L-8*

B-1831 panic lock with Swiss RC-hole for 2-leaf doors, with top-locking feature

Faceplate Material/Finish	Backset, mm	Faceplate Shape	Faceplate 24 x 3 x 270 mm Swiss RC-hole Non-handed
Matt stainless steel	35	Square	B-18310-06-L-8*
	40	Square	B-18310-07-L-8*
	45	Square	B-18310-08-L-8*

*** Make 1 out of 4 – and 4 out of 1**

- reversible latch (non-handed)
- reversible panic function (inward/outward)

Additional options (available on request)

Faceplate		Follower	Backset, mm	Special version	Suitable shoot-bolt locks
Material/Finish	Special faceplate				
Stainless steel, gold-plated matt	U-faceplate Adapter faceplate	–	50 55 60 65	Lock monitoring (faceplate 320 mm) Deadbolt with anti-saw protection	B-1890

B-1832 panic lock with top-locking feature for 1-leaf doors

Faceplate Material/Finish	Backset, mm	Faceplate Shape	Faceplate 24 x 3 x 270 mm Non-handed
Matt stainless steel	30	Square	B-18320-00-L-8*
	35	Square	B-18320-01-L-8*
	40	Square	B-18320-02-L-8*
	45	Square	B-18320-03-L-8*

*** Make 1 out of 4 – and 4 out of 1**

- reversible latch (non-handed)
- reversible panic function (inward/outward)

Additional options (available on request)

Faceplate		Follower	Backset, mm	Special version	Suitable strikers
Material/Finish	Special faceplate				
Stainless steel, gold-plated matt	U-faceplate Adapter faceplate	–	50 55 60 65	Lock monitoring (faceplate 320 mm) Deadbolt with anti-saw protection Swiss round cylinder	B 9000 1045 B 9000 1218

B-1833 panic lock

with top-locking feature for 2-leaf doors



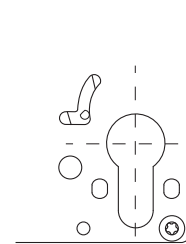
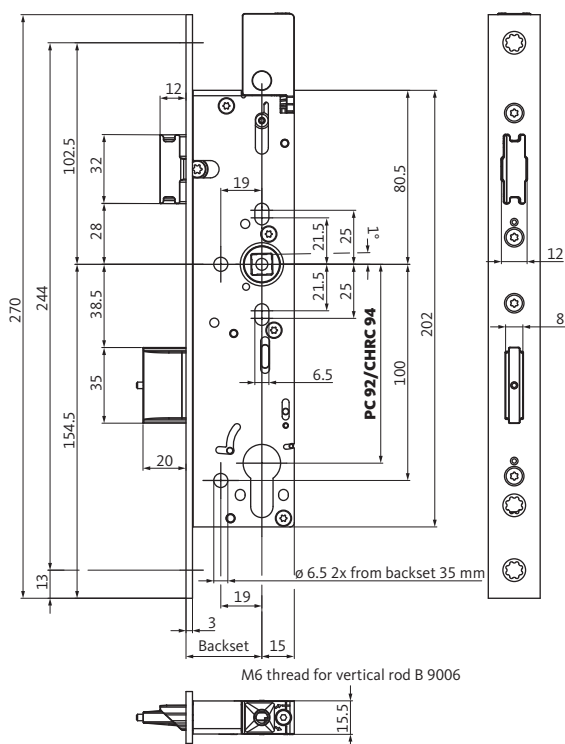
Functional description

Panic function C

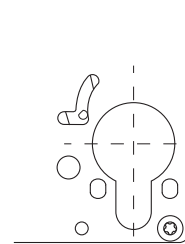
The exterior lever handle can only be activated by operating the locking cylinder. The lever handle is always set to idle when the key is removed. The door can be opened in the escape direction at any time.

For a detailed functional description see page 41

Prepared for additional top-locking. For use in conjunction with vertical rod B 9006 and spring-operated top latch B 1795.



Detail: version with PC-hole



Detail: version with Swiss RC-hole (on request)



B-1833 panic lock with top-locking feature for 2-leaf doors

Faceplate Material/Finish	Backset, mm	Faceplate Shape	Faceplate 24 x 3 x 270 mm Non-handed
Matt stainless steel	30	Square	B-18330-00-L-8*
	35	Square	B-18330-01-L-8*
	40	Square	B-18330-02-L-8*
	45	Square	B-18330-03-L-8*

*** Make 1 out of 4 – and 4 out of 1**

- reversible latch (non-handed)
- reversible panic function (inward/outward)

Additional options (available on request)

Faceplate		Follower	Backset, mm	Special version	Suitable shoot-bolt locks
Material/Finish	Special faceplate				
Stainless steel, gold-plated matt	U-faceplate Adapter faceplate	–	50 55 60 65	Lock monitoring (faceplate 320 mm) Deadbolt with anti-saw protection Swiss round cylinder	B-1890

B-1834 panic lock with top-locking feature for 1-leaf doors

Faceplate Material/Finish	Backset, mm	Faceplate Shape	Faceplate 24 x 3 x 270 mm Non-handed
Matt stainless steel	30	Square	B-18340-00-L-8*
	35	Square	B-18340-01-L-8*
	40	Square	B-18340-02-L-8*
	45	Square	B-18340-03-L-8*

*** Make 1 out of 4 – and 4 out of 1**

- reversible latch (non-handed)
- reversible panic function (inward/outward)

Additional options (available on request)

Faceplate		Follower	Backset, mm	Special version	Suitable strikers
Material/Finish	Special faceplate				
Stainless steel, gold-plated matt	U-faceplate Adapter faceplate	–	50 55 60 65	Lock monitoring (faceplate 320 mm) Deadbolt with anti-saw protection Swiss round cylinder	B 9000 1045 B 9000 1218

B-1835 panic lock with top-locking feature for 2-leaf doors			
Faceplate Material/Finish	Backset, mm	Faceplate Shape	Faceplate 24 x 3 x 270 mm Non-handed
Matt stainless steel	30	Square	B-18350-00-L-8*
	35	Square	B-18350-01-L-8*
	40	Square	B-18350-02-L-8*
	45	Square	B-18350-03-L-8*

*** Make 1 out of 4 – and 4 out of 1**

- reversible latch (non-handed)
- reversible panic function (inward/outward)

Additional options (available on request)					
Faceplate		Follower	Backset, mm	Special version	Suitable shoot-bolt locks
Material/Finish	Special faceplate				
Stainless steel, gold-plated matt	U-faceplate Adapter faceplate	–	50 55 60 65	Lock monitoring (faceplate 320 mm) Deadbolt with anti-saw protection Swiss round cylinder	B-1890

B-1836 panic lock with top-locking feature for 1-leaf doors

Faceplate Material/Finish	Backset, mm	Faceplate Shape	Faceplate 24 x 3 x 270 mm
			Non-handed
Matt stainless steel	30	Square	B-18360-00-U-8
	35	Square	B-18360-02-U-8
	40	Square	B-18360-04-U-8
	45	Square	B-18360-06-U-8

B-1836 panic lock with Swiss RC-hole for 1-leaf doors, with top-locking feature

Faceplate Material/Finish	Backset, mm	Faceplate Shape	Faceplate 24 x 3 x 270 mm
			Swiss RC-hole Non-handed
Matt stainless steel	30	Square	B-18360-08-U-8
	35	Square	B-18360-10-U-8
	40	Square	B-18360-12-U-8
	45	Square	B-18360-14-U-8

Additional options (available on request)

Faceplate		Follower	Backset, mm	Special version	Suitable strikers
Material/Finish	Special faceplate				
Stainless steel, gold-plated matt	U-faceplate Adapter faceplate	-	50 55 60 65	Lock monitoring (faceplate 320 mm) Deadbolt with anti-saw protection Key-controlled latch holdback	B 9000 1045 B 9000 1218

B-1837 panic locking with top-locking feature for 2-leaf doors

Faceplate Material/Finish	Backset, mm	Faceplate Shape	Faceplate 24 x 3 x 270 mm
			Non-handed
Matt stainless steel	30	Square	B-18370-00-U-8
	35	Square	B-18370-02-U-8
	40	Square	B-18370-04-U-8
	45	Square	B-18370-06-U-8

B-1837 panic lock with Swiss RC-hole for 2-leaf doors, with top-locking feature

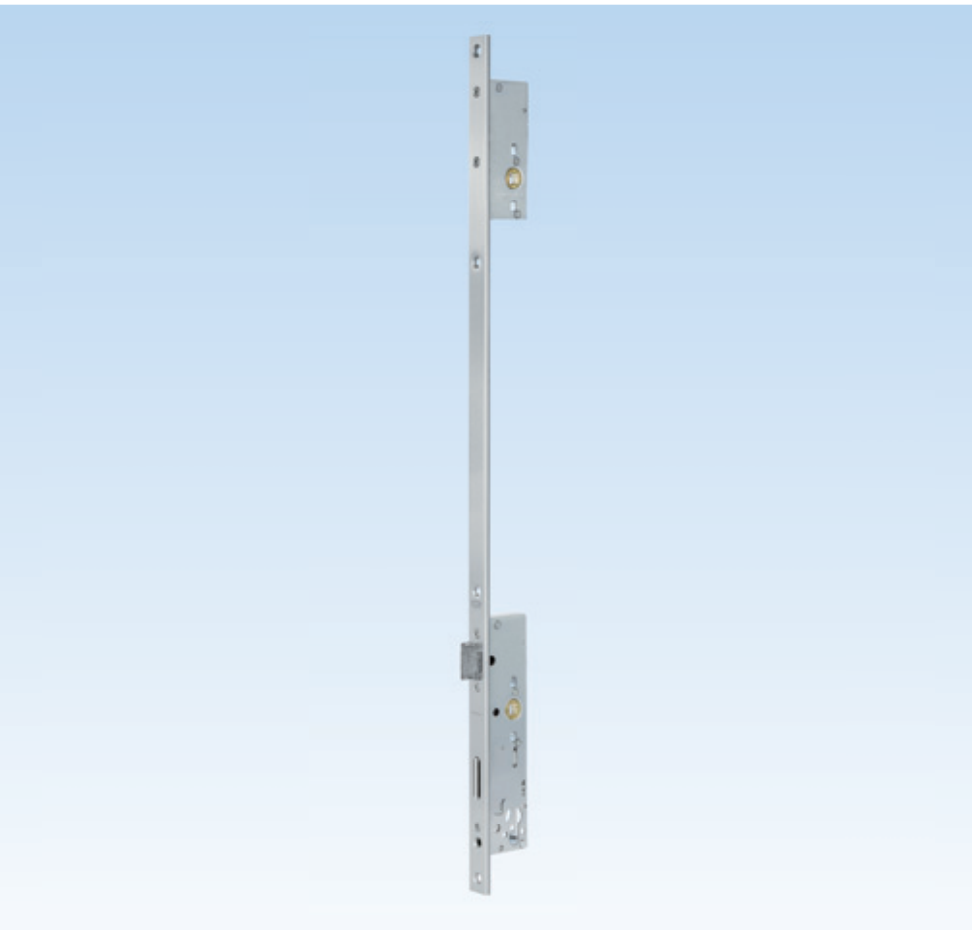
Faceplate Material/Finish	Backset, mm	Faceplate Shape	Faceplate 24 x 3 x 270 mm
			Swiss RC-hole Non-handed
Matt stainless steel	30	Square	B-18370-08-U-8
	35	Square	B-18370-10-U-8
	40	Square	B-18370-12-U-8
	45	Square	B-18370-14-U-8

Additional options (available on request)

Faceplate		Follower	Backset, mm	Special version	Suitable shoot-bolt locks
Material/Finish	Special faceplate				
Stainless steel, gold-plated matt	U-faceplate Adapter faceplate	-	50 55 60 65	Lock monitoring (faceplate 320 mm) Deadbolt with anti-saw protection Key-controlled latch holdback	B-1890

B-1840 panic lock

for 1-leaf doors



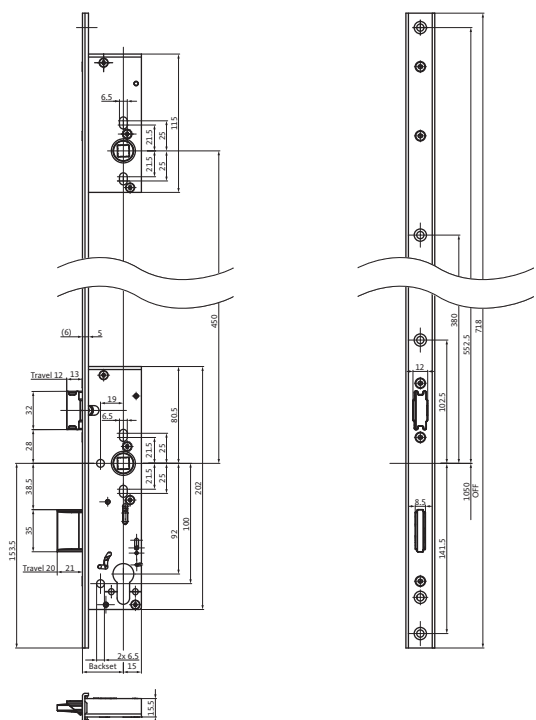
Functional description

Panic function B

The exterior lever handle can be activated for "daytime" operation. It is set to idle again by locking the door via the locking cylinder and authorised key, so the door cannot be opened from outside. The door can be opened in the escape direction at any time.

For a detailed functional description see page 40

In specific applications (e.g. kindergarten) it is not desirable for the standard or panic function to be triggered via hardware mounted at the standard height, but at a handle height of 1,500 mm.



B-1840 panic lock for 1-leaf doors

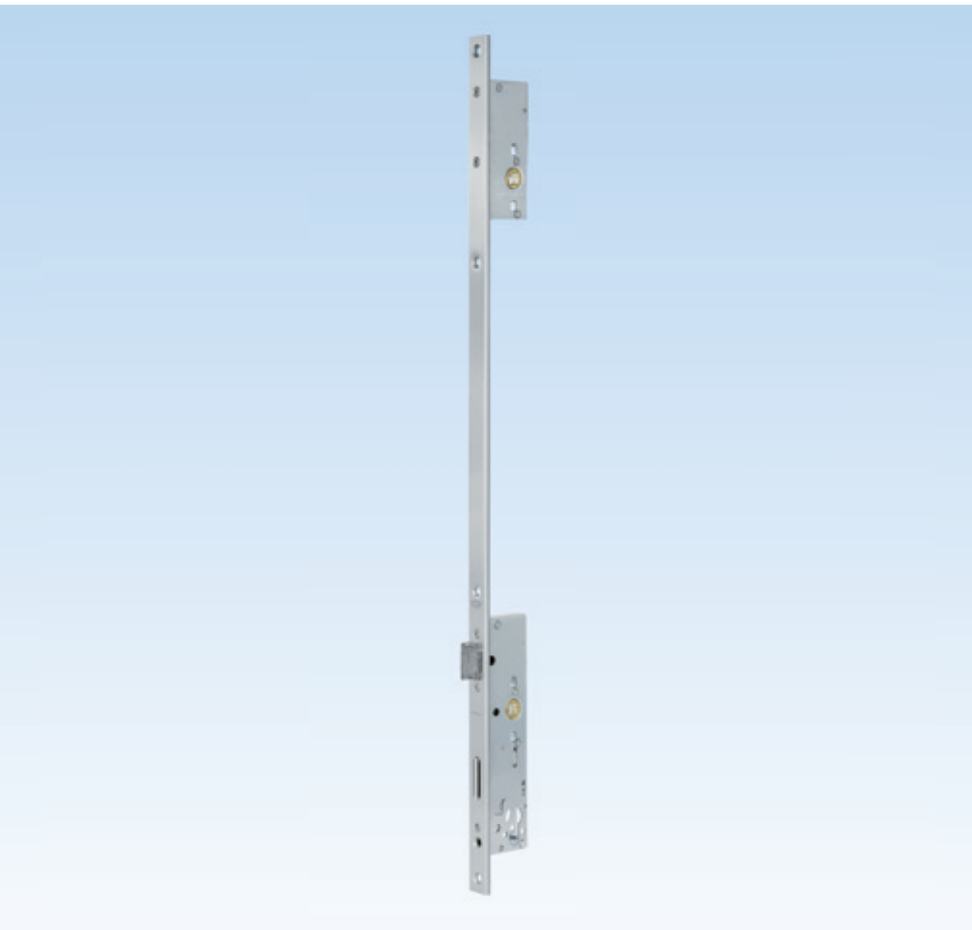
Faceplate Material/Finish	Backset, mm	Faceplate Shape	U-faceplate 24 x 5 x 2 x 718 mm	U-faceplate 24 x 6 x 2 x 718 mm
			Non-handed	Non-handed
Matt stainless steel	34	Square	B-18400-03-U-8	B-18400-00-U-8
	39	Square	B-18400-04-U-8	B-18400-01-U-8
	44	Square	B-18400-05-U-8	B-18400-02-U-8

B-1840 panic lock for 1-leaf doors

Faceplate Material/Finish	Backset, mm	Faceplate Shape	Faceplate 24 x 3 x 720 mm
			Non-handed
Matt stainless steel	35	Square	B-18400-15-U-8
	45	Square	B-18400-14-U-8
	65	Square	B-18400-06-U-8

B-1841 panic lock

for 2-leaf doors



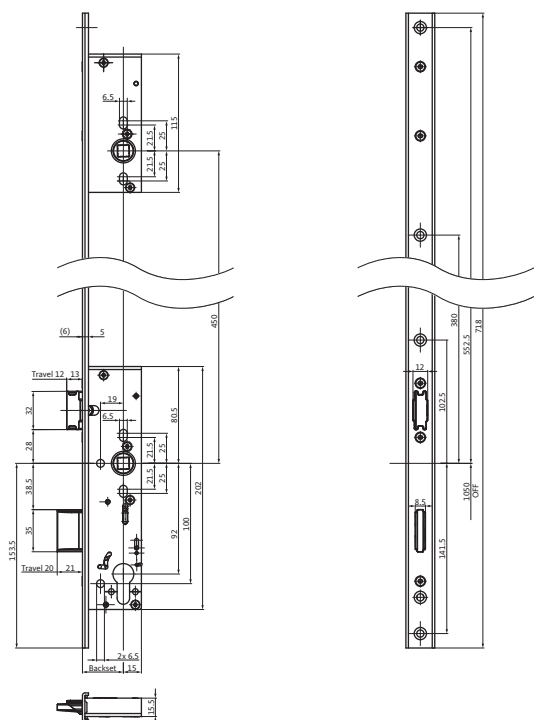
Functional description

Panic function B

The exterior lever handle can be activated for "daytime" operation. It is set to idle again by locking the door via the locking cylinder and authorised key, so the door cannot be opened from outside. The door can be opened in the escape direction at any time.

For a detailed functional description see page 40

In specific applications (e.g. kindergarten) it is not desirable for the standard or panic function to be triggered via hardware mounted at the standard height, but at a handle height of 1,500 mm.



B-1841 panic lock for 2-leaf doors

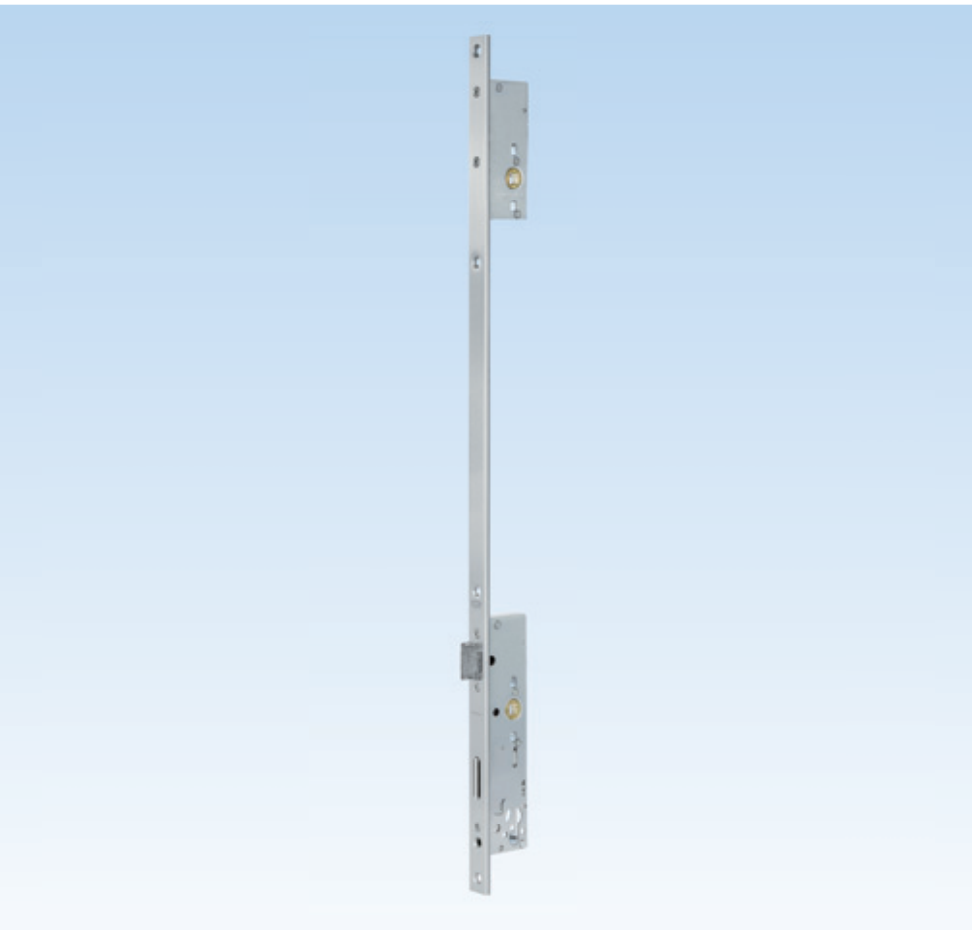
Faceplate Material/Finish	Backset, mm	Faceplate Shape	U-faceplate 24 x 5 x 2 x 718 mm	U-faceplate 24 x 6 x 2 x 718 mm
			Non-handed	Non-handed
Matt stainless steel	35	Square	B-18410-03-U-8	B-18410-00-U-8
	40	Square	B-18410-04-U-8	B-18410-01-U-8
	45	Square	B-18410-05-U-8	B-18410-02-U-8

B-1841 panic lock for 2-leaf doors

Faceplate Material/Finish	Backset, mm	Faceplate Shape	Faceplate 24 x 3 x 720 mm
			Non-handed
Matt stainless steel	45	Square	B-18410-14-U-8
	65	Square	B-18410-06-U-8

B-1842 panic lock

for 1-leaf doors



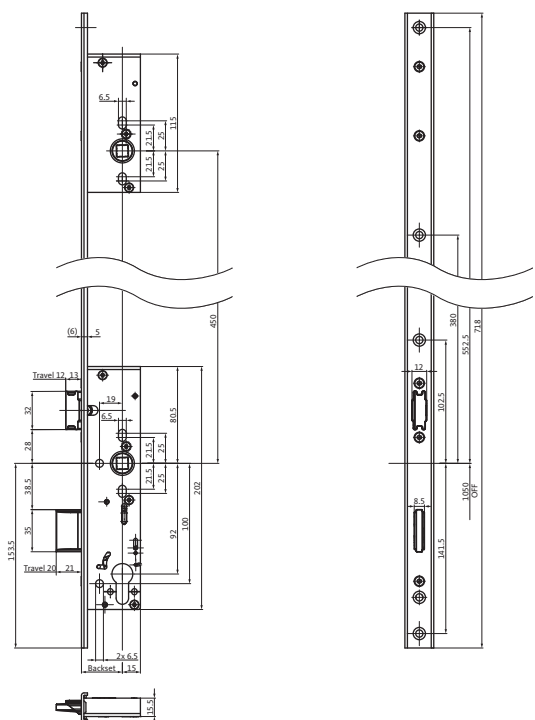
Functional description

Panic function C

The exterior lever handle can only be activated by operating the locking cylinder. The lever handle is always set to idle when the key is removed. The door can be opened in the escape direction at any time.

For a detailed functional description see page 41

In specific applications (e.g. kindergarten) it is not desirable for the standard or panic function to be triggered via hardware mounted at the standard height, but at a handle height of 1,500 mm.

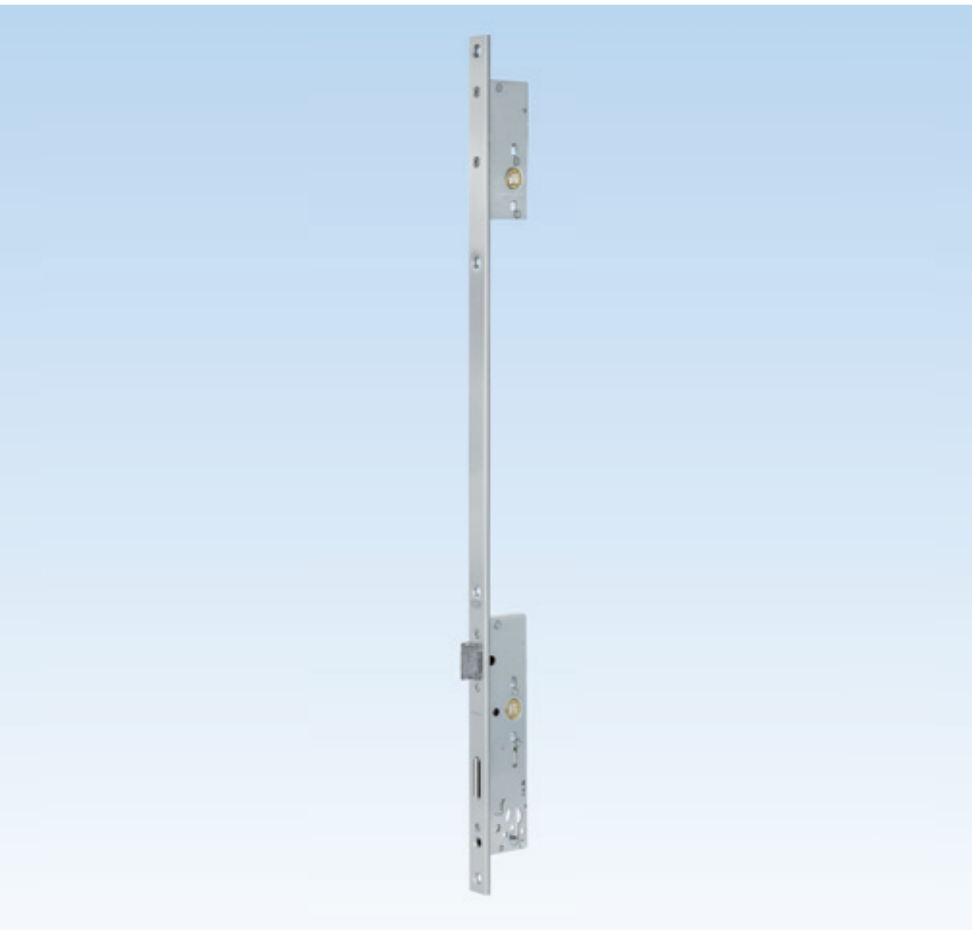


B-1842 panic lock for 1-leaf doors

Faceplate Material/Finish	Backset, mm	Faceplate Shape	U-faceplate 24 x 5 x 2 x 718 mm	
			Non-handed	
			U-faceplate 24 x 6 x 2 x 718 mm	
			Non-handed	
Matt stainless steel	35	Square	B-18420-03-U-8	
	40	Square	B-18420-04-U-8	
	45	Square	B-18420-05-U-8	
			B-18420-00-U-8	
			B-18420-01-U-8	
			B-18420-02-U-8	

B-1843 panic lock

for 2-leaf doors



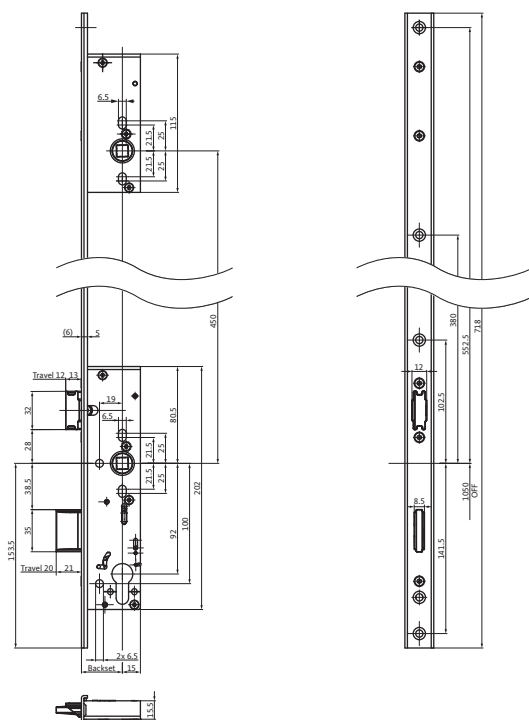
Functional description

Panic function C

The exterior lever handle can only be activated by operating the locking cylinder. The lever handle is always set to idle when the key is removed. The door can be opened in the escape direction at any time.

For a detailed functional description see page 41

In specific applications (e.g. kindergarten) it is not desirable for the standard or panic function to be triggered via hardware mounted at the standard height, but at a handle height of 1,500 mm.

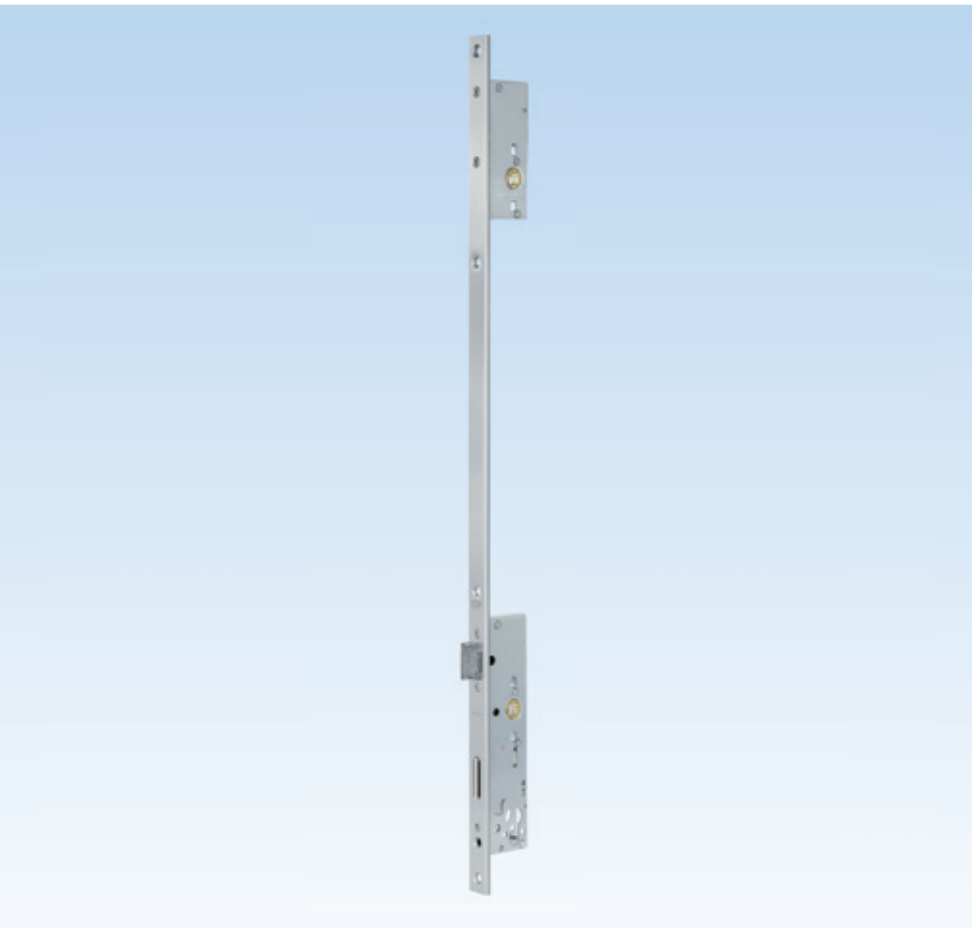


B-1843 panic lock for 2-leaf doors

Faceplate Material/Finish	Backset, mm	Faceplate Shape	U-faceplate 24 x 5 x 2 x 718 mm	U-faceplate 24 x 6 x 2 x 718 mm
			Non-handed	Non-handed
Matt stainless steel	35	Square	B-18430-03-U-8	B-18430-00-U-8
	40	Square	B-18430-04-U-8	B-18430-01-U-8
	45	Square	B-18430-05-U-8	B-18430-02-U-8

B-1844 panic lock

for 1-leaf doors



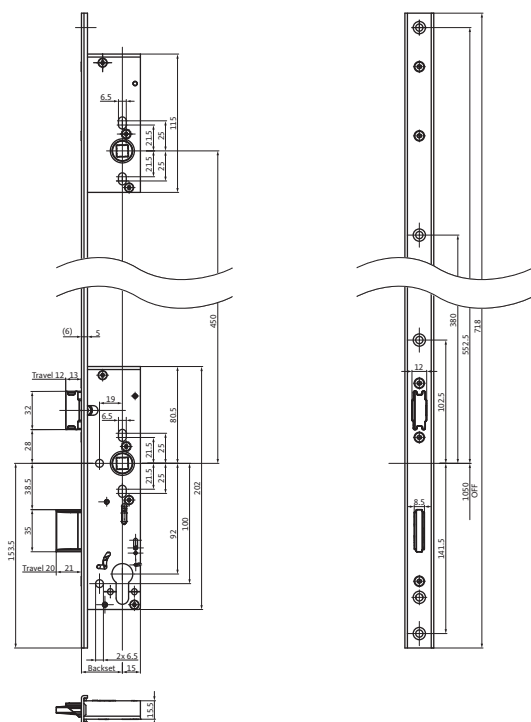
Functional description

Panic function D

The exterior lever handle is permanently coupled by a single operation of the interior lever handle. The door can only be locked via the locking cylinder using the key. The door can be opened in the escape direction at any time.

For a detailed functional description see page 42

In specific applications (e.g. kindergarten) it is not desirable for the standard or panic function to be triggered via hardware mounted at the standard height, but at a handle height of 1,500 mm.



B-1844 panic lock for 1-leaf doors

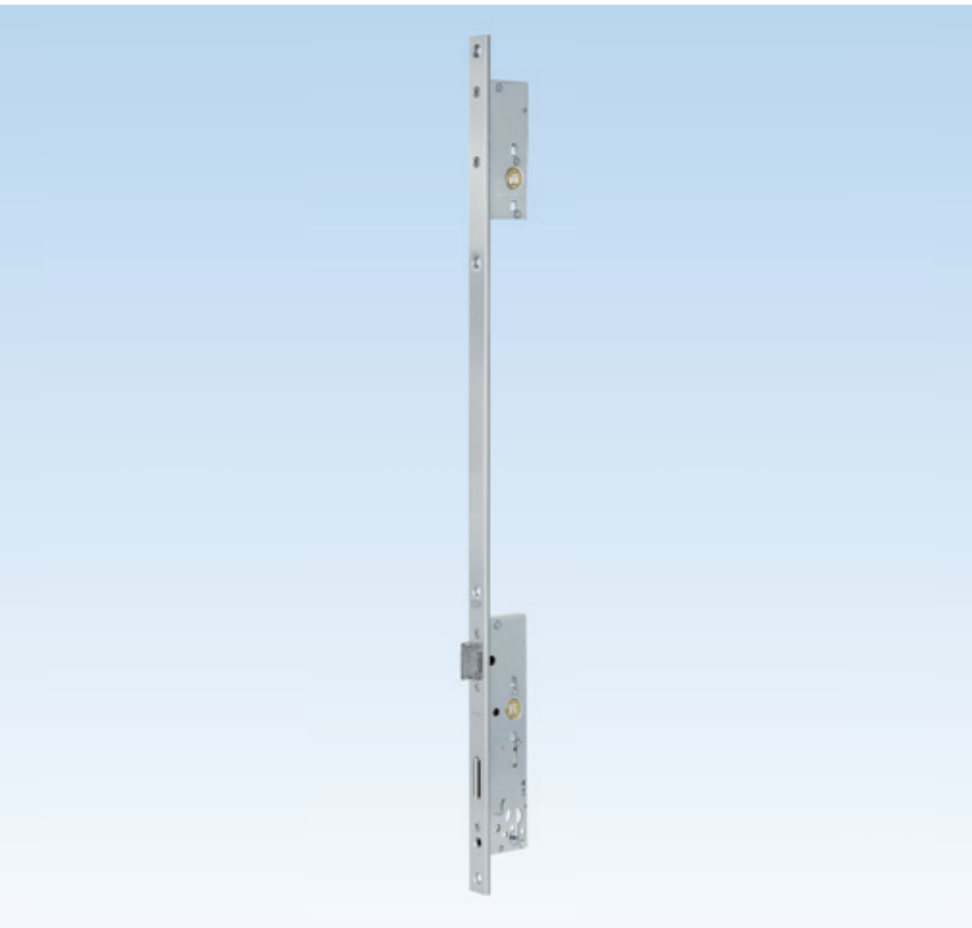
Faceplate Material/Finish	Backset, mm	Faceplate Shape	U-faceplate 24 x 5 x 2 x 718 mm	U-faceplate 24 x 6 x 2 x 718 mm
			Non-handed	Non-handed
Matt stainless steel	35	Square	B-18440-03-U-8	B-18440-00-U-8
	40	Square	B-18440-04-U-8	B-18440-01-U-8
	45	Square	B-18440-05-U-8	B-18440-02-U-8

B-1845 panic lock for 2-leaf doors

Faceplate Material/Finish	Backset, mm	Faceplate Shape	U-faceplate 24 x 5 x 2 x 718 mm	U-faceplate 24 x 6 x 2 x 718 mm
			Non-handed	Non-handed
Matt stainless steel	35	Square	B-18450-03-U-8	B-18450-00-U-8
	40	Square	B-18450-04-U-8	B-18450-01-U-8
	45	Square	B-18450-05-U-8	B-18450-02-U-8

B-1846 panic lock

for 1-leaf doors



Functional description

Panic function E

Operation from inside

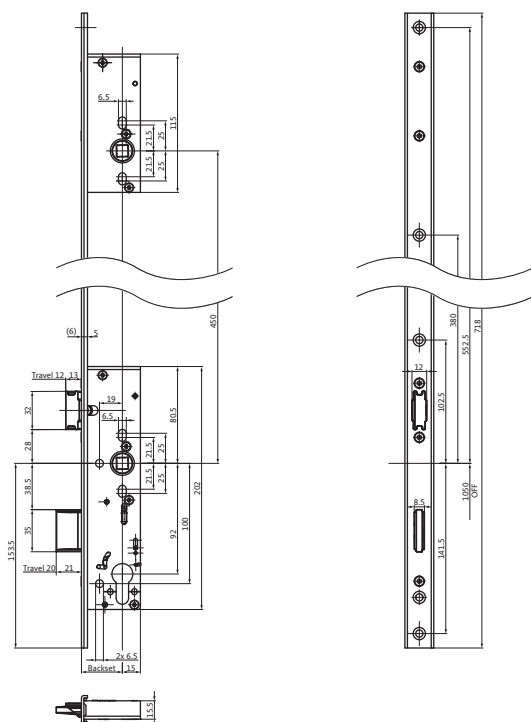
Passage from inside to outside: the lever handle on the inside operates deadbolt and latch. Must be locked again (from the inside or outside) using the key.

Operation from outside

Only a fixed knob or a push/pull handle are permitted as hardware. Latch and deadbolt are only operated by the key (via the latch lever). This retracts both locking elements.

For a detailed functional description see page 43

In specific applications (e.g. kindergarten) it is not desirable for the standard or panic function to be triggered via hardware mounted at the standard height, but at a handle height of 1,500 mm.



B-1846 panic lock for 1-leaf doors

Faceplate Material/Finish	Backset, mm	Faceplate Shape	U-faceplate 24 x 5 x 2 x 718 mm	U-faceplate 24 x 6 x 2 x 718 mm
			Non-handed	Non-handed
Matt stainless steel	34	Square	B-18460-03-U-8	B-18460-00-U-8
	39	Square	B-18460-04-U-8	B-18460-01-U-8
	44	Square	B-18460-05-U-8	B-18460-02-U-8

B-1846 panic lock for 1-leaf doors

Faceplate Material/Finish	Backset, mm	Faceplate Shape	Faceplate 24 x 3 x 720 mm
			Non-handed
Matt stainless steel	35	Square	B-18460-15-U-8
	45	Square	B-18460-16-U-8
	55	Square	B-18460-17-U-8
	65	Square	B-18460-06-U-8

B-1847 panic lock for 2-leaf doors

Faceplate Material/Finish	Backset, mm	Faceplate Shape	U-faceplate 24 x 5 x 2 x 718 mm	U-faceplate 24 x 6 x 2 x 718 mm
			Non-handed	Non-handed
Matt stainless steel	34	Square	B-18470-03-U-8	B-18470-00-U-8
	39	Square	B-18470-04-U-8	B-18470-01-U-8
	44	Square	B-18470-05-U-8	B-18470-02-U-8

B-1847 panic lock for 2-leaf doors

Faceplate Material/Finish	Backset, mm	Faceplate Shape	Faceplate 24 x 3 x 720 mm
			Non-handed
Matt stainless steel	45	Square	B-18470-14-U-8
	65	Square	B-18470-06-U-8

B-1848 panic deadbolt lock for 1-leaf doors

Faceplate Material/Finish	Backset, mm	Faceplate Shape	Faceplate 24 x 3 x 270 mm Non-handed
Matt stainless steel	30	Square	B-18480-01-0-8
	35	Square	B-18480-02-0-8
	40	Square	B-18480-03-0-8
	45	Square	B-18480-04-0-8

Additional options (available on request)

Faceplate		Follower	Backset, mm	Special version	Suitable strikers
Material/Finish	Special faceplate				
Stainless steel, gold-plated matt	U-faceplate Adapter faceplate	-	50 55 60 65	Lock monitoring Deadbolt with anti-saw protection Swiss round cylinder	B 9000 1100 B 9000 1226

B-1849 panic deadbolt lock for 2-leaf doors

Faceplate Material/Finish	Backset, mm	Faceplate Shape	Faceplate 24 x 3 x 270 mm	
			Non-handed	5 mm deadbolt projection Non-handed
Matt stainless steel	30	Square	B-18490-05-0-8	B-18490-09-0-8
	35	Square	B-18490-06-0-8	B-18490-10-0-8
	40	Square	B-18490-07-0-8	B-18490-11-0-8
	45	Square	B-18490-08-0-8	B-18490-12-0-8

Additional options (available on request)

Faceplate		Follower	Backset, mm	Special version	Suitable shoot-bolt locks
Material/Finish	Special faceplate				
Stainless steel, gold-plated matt	U-faceplate Adapter faceplate	-	50 55 60 65	Lock monitoring Deadbolt with anti-saw protection Swiss round cylinder	B-1891

B-1866 panic lock

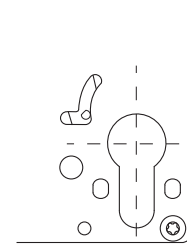
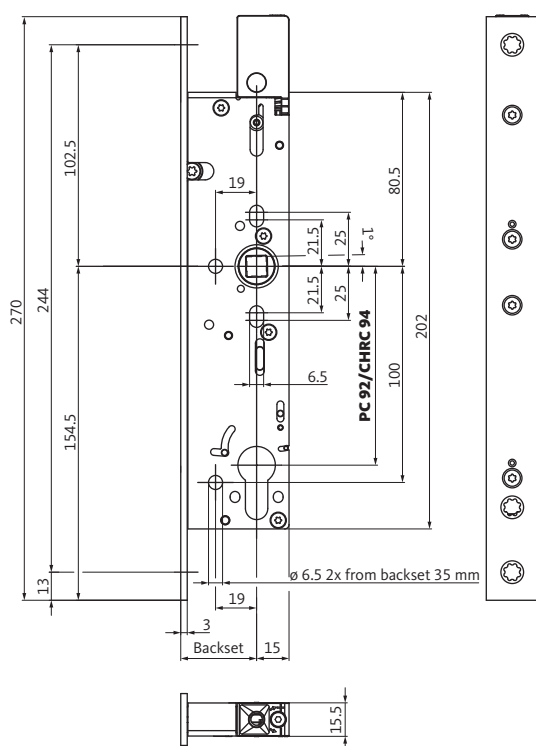
with top-locking feature for 2-leaf doors



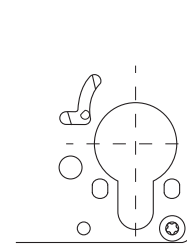
Functional description

Standard function with latch lever

Top-locking via spring-operated top latch B 1795 in conjunction with vertical rod B 9006 which extends upwards into the door frame.



Detail: version with PC-hole



Detail: version with Swiss RC-hole



B-1866 fire protection door lock with top-locking feature

Faceplate Material/Finish	Backset, mm	Faceplate Shape	Faceplate 24 x 3 x 270 mm
			Non-handed
Matt stainless steel	35	Square	B-18660-01-U-8
	40	Square	B-18660-02-U-8
	45	Square	B-18660-03-U-8

B-1866 fire protection door lock with Swiss RC-hole and with top-locking feature

Faceplate Material/Finish	Backset, mm	Faceplate Shape	Faceplate 24 x 3 x 270 mm
			Swiss RC-hole Non-handed
Matt stainless steel	35	Square	B-18660-07-U-8
	40	Square	B-18660-08-U-8
	45	Square	B-18660-09-U-8

Additional options (available on request)

Faceplate		Follower	Backset, mm	Special version
Material/Finish	Special faceplate			
Stainless steel, gold-plated matt	U-faceplate	-	50 55 60 65	-

B-1890 shoot-bolt lock

Faceplate Material/Finish	Backset, mm	Faceplate Shape	Faceplate 24 x 3 x 270 mm Non-handed	U-faceplate 24 x 6 x 2 x 268 mm Non-handed
Matt stainless steel	30	Square	B-18900-00-0-8	B-18900-10-0-8
	35	Square	B-18900-01-0-8	B-18900-11-0-8
	40	Square	B-18900-02-0-8	B-18900-12-0-8
	45	Square	B-18900-03-0-8	B-18900-13-0-8
	50	Square	B-18900-04-0-8	B-18900-14-0-8
	54	Square	B-18900-05-0-8	B-18900-15-0-8
	60	Square	B-18900-06-0-8	B-18900-16-0-8
	65	Square	B-18900-07-0-8	B-18900-17-0-8
	70	Square	B-18900-08-0-8	B-18900-18-0-8
	80	Square	B-18900-09-0-8	B-18900-19-0-8

B-1890 shoot-bolt lock with latch and deadbolt monitoring contact

Faceplate Material/Finish	Backset, mm	Faceplate Shape	Faceplate 24 x 3 x 270 mm Non-handed	U-faceplate 24 x 6 x 2 x 268 mm Non-handed
Matt stainless steel	35	Square	B-18900-51-0-8	B-18900-C5-0-8
	40	Square	B-18900-66-0-8	-
	45	Square	B-18900-60-0-8	-
	50	Square	B-18900-A1-0-8	-
	54	Square	B-18900-A3-0-8	-
	60	Square	B-18900-65-0-8	-
	65	Square	B-18900-68-0-8	-

B 5490 0300 connecting cable must be ordered separately.

Additional options (available on request)

Faceplate		Follower	Backset, mm	Special versions	Suitable locks	
Material/Finish	Width					
Stainless steel, gold-plated matt	Adapter faceplate	-	-	-	B-1821 B-1823 B-1825 B-1827	B-1831 B-1833 B-1835 B-1837

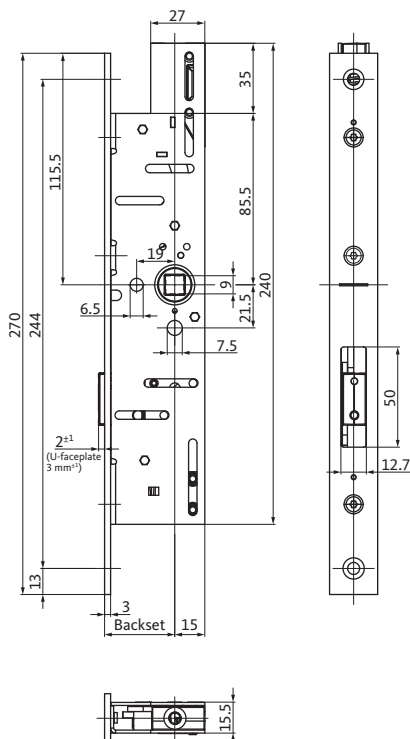
B-1891 shoot-bolt lock

for automatic and manual locking



Functional description

When the passive leaf is closed, automatic locking of the spring-loaded vertical rods at the top and bottom is triggered by passive-leaf control lock B 1895. The door is only locked once this locking operation has been performed (with manual-locking locks, the vertical rods are extended manually by operating the vertical lever). When unlocking, the vertical rods are retracted into the passive leaf by operating the vertical lever or panic push bar which simultaneously pushes the deadbolt back into the lock of the active leaf. Once the rotational movement of the hardware is completed, the vertical rods are automatically locked in place within the passive-leaf control lock. As they are steplessly located as long as the passive leaf is open, the vertical rods are prevented from extending so the floor covering will not be damaged. Moreover, the (automatic) closing movement of the door leaf is not obstructed.



In the "automatic locking" version suitable for:



B-1891 shoot-bolt lock for automatic locking

Faceplate Material/Finish	Backset, mm	Faceplate Shape	Faceplate 24 x 3 x 270 mm Non-handed
Matt stainless steel	30	Square	B-18910-00-0-8
	35	Square	B-18910-01-0-8
	40	Square	B-18910-02-0-8
	45	Square	B-18910-03-0-8

B-1891 shoot-bolt lock for manual locking

Faceplate Material/Finish	Backset, mm	Faceplate Shape	Faceplate 24 x 3 x 270 mm Non-handed
Matt stainless steel	30	Square	B-18910-10-0-8
	35	Square	B-18910-11-0-8
	40	Square	B-18910-12-0-8
	45	Square	B-18910-13-0-8

Additional options (available on request)

Faceplate		Follower	Backset, mm	Special versions	Suitable locks
Material/Finish	Width				
Stainless steel, gold-plated matt	Adapter faceplate	-	50 54 60	-	B-1849

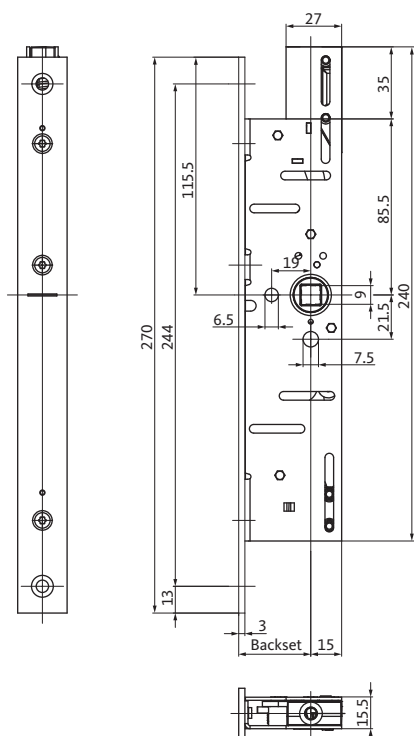
B-1892 shoot-bolt lock

for automatic locking



Functional description

When the passive leaf is closed, automatic locking of the spring-loaded vertical rods at the top and bottom is triggered by passive-leaf control lock B 1895. The door is only locked once this locking operation has been performed. When unlocking, the vertical rods are retracted into the passive leaf by operating the vertical lever or panic push bar. Once the rotational movement of the hardware is completed, the vertical rods are automatically locked in place within the passive-leaf control lock. As they steplessly engage for as long as the passive leaf is open, the vertical rods are prevented from extending so the floor covering will not be damaged. Moreover, the (automatic) closing movement of the door leaf is not obstructed.



B-1892 shoot-bolt lock

Faceplate Material/Finish	Backset, mm	Faceplate Shape	Faceplate 24 x 3 x 270 mm Non-handed
Matt stainless steel	30	Square	B-18920-00-0-8
	35	Square	B-18920-01-0-8
	40	Square	B-18920-02-0-8
	45	Square	B-18920-03-0-8
	50	Square	B-18920-04-0-8
	55	Square	B-18920-05-0-8
	60	Square	B-18920-06-0-8

Additional options (available on request)

Faceplate		Follower	Backset, mm	Special versions	Suitable strikers
Material/Finish	Special faceplate				
Stainless steel, gold-plated matt	Adapter faceplate	-	65 70	Follower monitoring	-

B-1893 motor-driven shoot-bolt lock

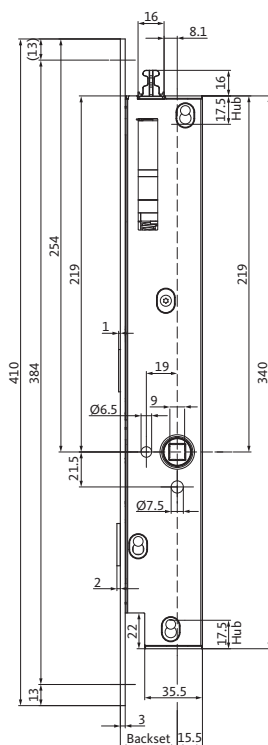
for automatic locking



Functional description

When the passive leaf is closed, automatic locking of the spring-loaded vertical rods at the top and bottom is triggered by passive-leaf control lock B 1895. The door is only locked once this locking operation has been performed. When unlocking, the vertical rods are retracted into the passive leaf by operating the vertical lever or panic push bar which simultaneously pushes the deadbolt and latch back into the lock of the active leaf. Once the rotational movement of the hardware is completed, the vertical rods are automatically locked in place within the passive-leaf control lock. As they steplessly engage for as long as the passive leaf is open, the vertical rods are prevented from extending so the floor covering will not be damaged. Moreover, the (automatic) closing movement of the door leaf is not obstructed. The motor-driven shoot-bolt lock can be opened electrically, e.g. in conjunction with a swing-door drive, as well as mechanically. The passive leaf is unlocked, while the active leaf remains locked.

No motor-driven lock required at active leaf; active and passive leaf unlocked electrically.



B-1893 motor-driven shoot-bolt lock

Faceplate Material/Finish	Backset, mm	Faceplate Shape	Faceplate 24 x 3 x 410 mm Non-handed	U-faceplate 24 x 6 x 2 x 408 mm Non-handed
Matt stainless steel	35 (34)	Square	B-18930-00-0-8	B-18930-10-0-8
	40 (39)	Square	B-18930-01-0-8	B-18930-11-0-8
	45 (44)	Square	B-18930-02-0-8	B-18930-12-0-8

Accessories to be ordered separately

Description	Order number	See page
Motor lock control unit	B-54900-01-3-9	444
Motor lock control unit for NSHEV systems	B-54900-01-4-9	444
Connecting cable	B 5490 0300	453
Power supply unit (24 V DC/4.2 A)	B 5570 0401	499
Emergency power backup for fire protection doors	B-54903-23-3-9	444
Top-hat rail casing for controller, emergency power backup, power supply unit	B 5495 0251	444

Additional options (available on request)

Faceplate		Follower	Backset, mm	Special versions	Suitable locks	
Material/Finish	Width					
Stainless steel, gold-plated matt	Lipped faceplate	-	-	-	B-1821 B-1823 B-1825 B-1827	B-1831 B-1833 B-1835 B-1837

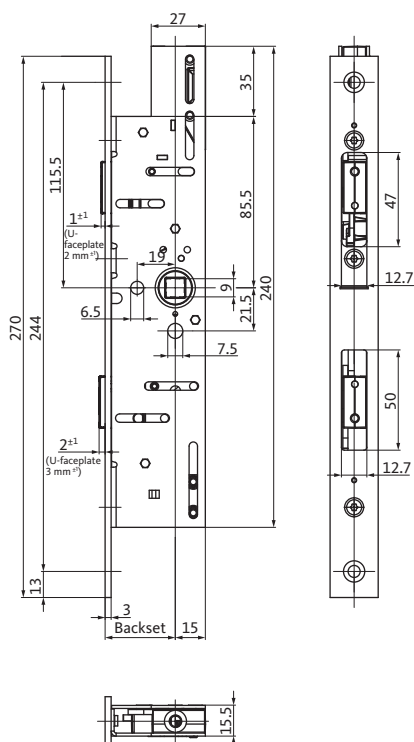
B-1896 shoot-bolt lock

for manual locking



Functional description

When the passive leaf is closed, the vertical rods are triggered automatically by control lock 1895 and extend upwards and downwards. Now the door is locked. Upon opening by operating the vertical lever or the panic push bar, the vertical rods are retracted into the passive leaf, whilst deadbolt and latch are pushed back into the lock of the active leaf. Once the rotational movement of the hardware is completed, the vertical rods are automatically locked in place within the passive-leaf control lock. As they are steplessly located as long as the passive leaf is open, the vertical rods are prevented from extending so the floor covering will not be damaged.



B-1896 shoot-bolt lock

Faceplate Material/Finish	Backset, mm	Faceplate Shape	Faceplate 24 x 3 x 270 mm Non-handed
Matt stainless steel	30	Square	B-18960-00-0-8
	35	Square	B-18960-01-0-8
	40	Square	B-18960-02-0-8
	45	Square	B-18960-03-0-8
	50	Square	B-18960-04-0-8
	54	Square	B-18960-05-0-8
	60	Square	B-18960-06-0-8
	65	Square	B-18960-07-0-8
	70	Square	B-18960-08-0-8
80	Square	B-18960-09-0-8	

Additional options (available on request)

Faceplate		Follower	Backset, mm	Special versions	Suitable locks	
Material/Finish	Width					
Stainless steel, gold-plated matt	U-faceplate Adapter faceplate	-	-	-	B-1821 B-1823 B-1825 B-1827	B-1831 B-1833 B-1835 B-1837

B-1975 electrically coupled lock

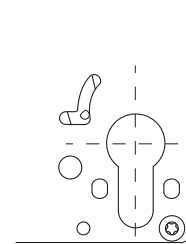
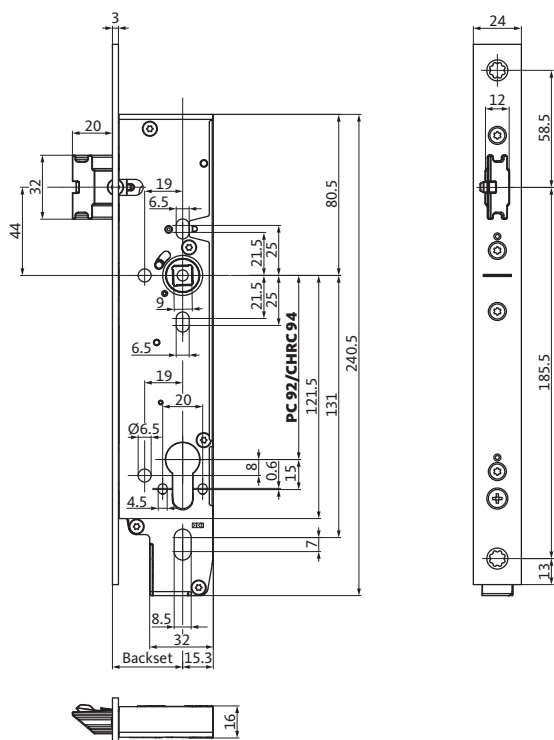
for 1-leaf doors



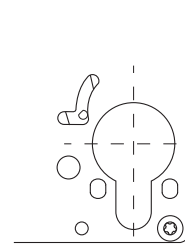
Functional description

Standard function

Self-locking lock for 1-leaf doors with electrically coupled interior and exterior lever handle. When pulled shut, the door locks automatically at two points. The latch acts as a second deadbolt with two locking positions. The lock is actuated by the trigger lever which is integrated into the latchbolt. This ensures that the lock is not locked until the door leaf is in its final closed position. This avoids malfunctions. The exterior and interior lever handle are coupled when energised, i.e. access in both directions can be controlled electrically. Access can be controlled electronically by means of a card reader, an intercom, a time switch or an access control system. In versions with monitoring contacts the status of the individual lock components is also queried electrically via integrated switches. During a rescue operation by the fire brigade, for example, the door can be opened from outside by operating the mechanical profile cylinder.



Detail: version with PC-hole



Detail: version with Swiss RC-hole (on request)



B-1975 lock with electrically coupled interior and exterior lever handle for 1-leaf doors

Faceplate Material/Finish	Backset, mm	Faceplate Shape	Faceplate 24 x 3 x 270 mm Non-handed	U-faceplate 24 x 6 x 2 x 268 mm Non-handed
Matt stainless steel	35	Square	B-19750-00-U-8	B-19750-03-U-8
	40	Square	B-19750-01-U-8	-
	45	Square	B-19750-02-U-8	B-19750-04-U-8

Accessories to be ordered separately

Description	Order number	See page
Connecting cable	B 5490 0300	453

Additional options (available on request)

Faceplate		Follower	Backset, mm	Special versions	Suitable striker
Material/Finish	Width				
Stainless steel, gold-plated matt	-	-	50 55 60 65	Swiss round cylinder	B 9000 1031 B 9000 1211

B-1900 panic lock with top-locking feature for 1-leaf doors

Faceplate Material/Finish	Backset, mm	Faceplate Shape	Faceplate 24 x 3 x 270 mm	U-faceplate 24 x 6 x 2 x 268 mm
			Non-handed	Non-handed
Matt stainless steel	35	Square	B-19000-00-U-8	B-19000-06-U-8
	40	Square	B-19000-01-U-8	B-19000-07-U-8
	45	Square	B-19000-02-U-8	B-19000-08-U-8

B-1900 panic lock with Swiss RC-hole and top-locking feature for 1-leaf doors

Faceplate Material/Finish	Backset, mm	Faceplate Shape	Faceplate 24 x 3 x 270 mm	U-faceplate 24 x 6 x 2 x 268 mm
			Swiss RC-hole Non-handed	Swiss RC-hole Non-handed
Matt stainless steel	35	Square	B-19000-03-U-8	B-19000-09-U-8
	40	Square	B-19000-04-U-8	B-19000-10-U-8
	45	Square	B-19000-05-U-8	B-19000-11-U-8

Additional options (available on request)

Faceplate		Follower	Backset, mm	Special versions	Suitable strikers
Material/Finish	Width				
Stainless steel, gold-plated matt	-	-	50 55 60 65	Lock monitoring	B 9000 1400 B 9000 1403

B-1901 panic lock with top-locking feature for 2-leaf doors

Faceplate Material/Finish	Backset, mm	Faceplate Shape	Faceplate 24 x 3 x 270 mm	U-faceplate 24 x 6 x 2 x 268 mm
			Non-handed	Non-handed
Matt stainless steel	35	Square	B-19010-00-U-8	B-19010-06-U-8
	40	Square	B-19010-01-U-8	B-19010-07-U-8
	45	Square	B-19010-02-U-8	B-19010-08-U-8

B-1901 panic lock with Swiss RC-hole and top-locking feature for 2-leaf doors

Faceplate Material/Finish	Backset, mm	Faceplate Shape	Faceplate 24 x 3 x 270 mm	U-faceplate 24 x 6 x 2 x 268 mm
			Swiss RC-hole Non-handed	Swiss RC-hole Non-handed
Matt stainless steel	35	Square	B-19010-03-U-8	B-19010-09-U-8
	40	Square	B-19010-04-U-8	B-19010-10-U-8
	45	Square	B-19010-05-U-8	B-19010-11-U-8

Additional options (available on request)

Faceplate		Follower	Backset, mm	Special versions	Suitable shoot-bolt lock
Material/Finish	Width				
Stainless steel, gold-plated matt	-	-	50 55 60 65	Lock monitoring	B-1990

B-1902 panic lock with top-locking feature for 1-leaf doors

Faceplate Material/Finish	Backset, mm	Faceplate Shape	Faceplate 24 x 3 x 270 mm	U-faceplate 24 x 6 x 2 x 268 mm
			Non-handed	Non-handed
Matt stainless steel	35	Square	B-19020-00-U-8	B-19020-06-U-8
	40	Square	B-19020-01-U-8	B-19020-07-U-8
	45	Square	B-19020-02-U-8	B-19020-08-U-8

B-1902 panic lock with Swiss RC-hole and top-locking feature for 1-leaf doors

Faceplate Material/Finish	Backset, mm	Faceplate Shape	Faceplate 24 x 3 x 270 mm	U-faceplate 24 x 6 x 2 x 268 mm
			Swiss RC-hole Non-handed	Swiss RC-hole Non-handed
Matt stainless steel	35	Square	B-19020-03-U-8	B-19020-09-U-8
	40	Square	B-19020-04-U-8	B-19020-10-U-8
	45	Square	B-19020-05-U-8	B-19020-11-U-8

Additional options (available on request)

Faceplate		Follower	Backset, mm	Special versions	Suitable strikers
Material/Finish	Width				
Stainless steel, gold-plated matt	-	-	50 55 60 65	Lock monitoring	B 9000 1400 B 9000 1403

B-1903 panic lock

with top-locking feature for 2-leaf doors



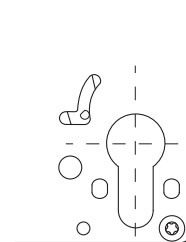
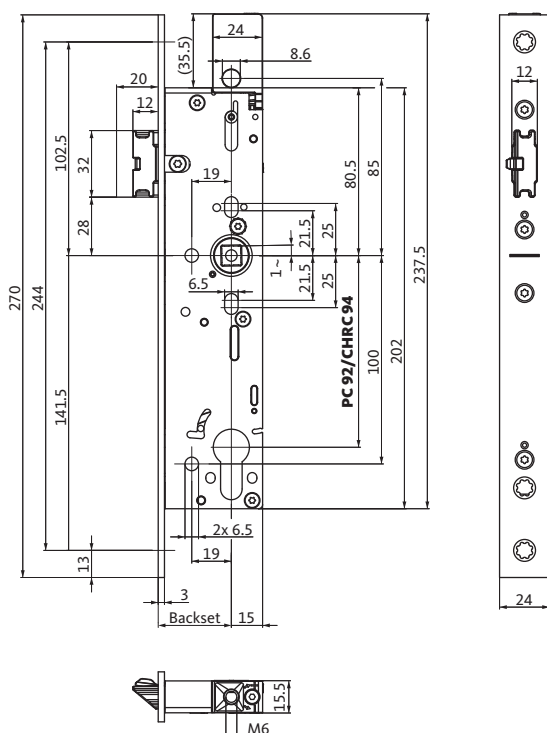
Functional description

Panic function C

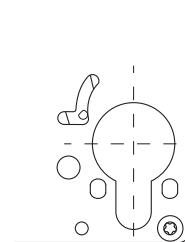
The exterior lever handle can only be activated by operating the locking cylinder. The lever handle is always set to idle when the key is removed. The door can be opened in the escape direction at any time.

For a detailed functional description see page 41

Prepared for additional top-locking. For use in conjunction with vertical rod B 9006 and spring-operated top latch B 1795.



Detail: version with PC-hole



Detail: version with Swiss RC-hole



B-1903 panic lock for 2-leaf doors with for top-locking feature

Faceplate Material/Finish	Backset, mm	Faceplate Shape	Faceplate 24 x 3 x 270 mm	U-faceplate 24 x 6 x 2 x 268 mm
			Non-handed	Non-handed
Matt stainless steel	35	Square	B-19030-00-U-8	B-19030-06-U-8
	40	Square	B-19030-01-U-8	B-19030-07-U-8
	45	Square	B-19030-02-U-8	B-19030-08-U-8

B-1903 panic lock with Swiss RC-hole and top-locking feature for 2-leaf doors

Faceplate Material/Finish	Backset, mm	Faceplate Shape	Faceplate 24 x 3 x 270 mm	U-faceplate 24 x 6 x 2 x 268 mm
			Swiss RC-hole Non-handed	Swiss RC-hole Non-handed
Matt stainless steel	35	Square	B-19030-03-U-8	B-19030-09-U-8
	40	Square	B-19030-04-U-8	B-19030-10-U-8
	45	Square	B-19030-05-U-8	B-19030-11-U-8

Additional options (available on request)

Faceplate		Follower	Backset, mm	Special versions	Suitable shoot-bolt lock
Material/Finish	Width				
Stainless steel, gold-plated matt	-	-	50 55 60 65	Lock monitoring	B-1990

B-1906 panic lock

with top-locking feature for 1-leaf doors



Functional description

Panic function E

Operation from inside

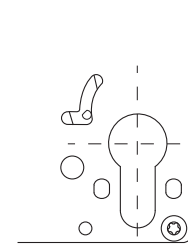
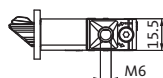
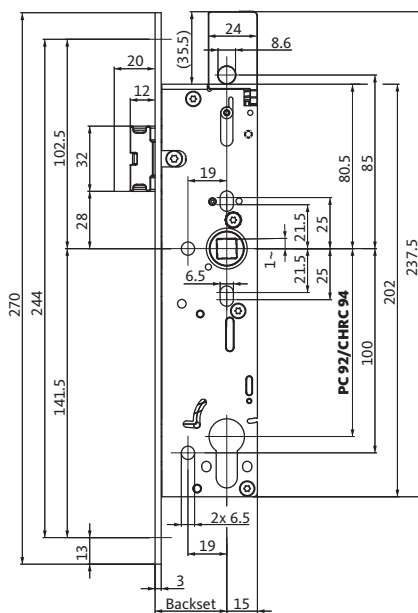
The door can be opened in the escape direction at any time.

Operation from outside:

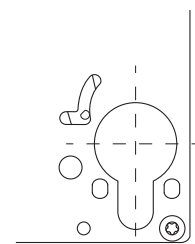
Only a fixed knob or a push/pull handle are permitted as hardware. Latchbolt is only operated by the key (via the latch lever). This retracts the locking element.

For a detailed functional description see page 43

Locking (from the inside or outside) using the key is not required. Prepared for additional top-locking. For use in conjunction with vertical rod B 9006 and spring-operated top latch B 1795.



Detail: version with PC-hole



Detail: version with Swiss RC-hole



B-1906 panic lock with top-locking feature for 1-leaf doors

Faceplate Material/Finish	Backset, mm	Faceplate Shape	Faceplate 24 x 3 x 270 mm	U-faceplate 24 x 6 x 2 x 268 mm
			Non-handed	Non-handed
Matt stainless steel	35	Square	B-19060-00-U-8	B-19060-06-U-8
	40	Square	B-19060-01-U-8	B-19060-07-U-8
	45	Square	B-19060-02-U-8	B-19060-08-U-8

B-1906 panic lock with Swiss RC-hole and top-locking feature for 1-leaf doors

Faceplate Material/Finish	Backset, mm	Faceplate Shape	Faceplate 24 x 3 x 270 mm	U-faceplate 24 x 6 x 2 x 268 mm
			Swiss RC-hole Non-handed	Swiss RC-hole Non-handed
Matt stainless steel	35	Square	B-19060-03-U-8	B-19060-09-U-8
	40	Square	B-19060-04-U-8	B-19060-10-U-8
	45	Square	B-19060-05-U-8	B-19060-11-U-8

Additional options (available on request)

Faceplate		Follower	Backset, mm	Special versions	Suitable strikers
Material/Finish	Width				
Stainless steel, gold-plated matt	-	-	50 55 60 65	Lock monitoring	B 9000 1400 B 9000 1403

B-1907 panic lock

with top-locking feature for 2-leaf doors



Functional description

Panic function E

Operation from inside

The door can basically be opened in the escape direction at any time.

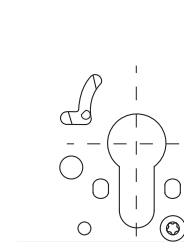
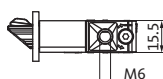
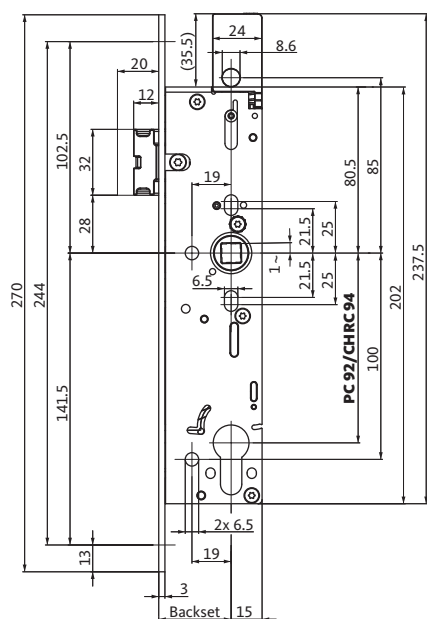
Operation from outside:

Only a fixed knob or a push/pull handle are permitted as hardware. Latchbolt is only operated by the key (via the latch lever). This retracts the locking element.

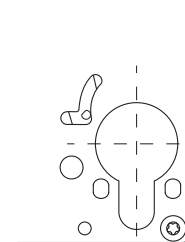
For a detailed functional description see page 43

Locking (from the inside or outside) using the key is not required.

Prepared for additional top-locking. For use in conjunction with vertical rod B 9006 and spring-operated top latch B 1795.



Detail: version with PC-hole



Detail: version with Swiss RC-hole



B-1907 panic lock with top-locking feature for 2-leaf doors

Faceplate Material/Finish	Backset, mm	Faceplate Shape	Faceplate 24 x 3 x 270 mm	U-faceplate 24 x 6 x 2 x 268 mm
			Non-handed	Non-handed
Matt stainless steel	35	Square	B-19070-00-U-8	B-19070-06-U-8
	40	Square	B-19070-01-U-8	B-19070-07-U-8
	45	Square	B-19070-02-U-8	B-19070-08-U-8

B-1907 panic lock with Swiss RC-hole and top-locking feature for 2-leaf doors

Faceplate Material/Finish	Backset, mm	Faceplate Shape	Faceplate 24 x 3 x 270 mm	U-faceplate 24 x 6 x 2 x 268 mm
			Swiss RC-hole Non-handed	Swiss RC-hole Non-handed
Matt stainless steel	35	Square	B-19070-03-U-8	B-19070-09-U-8
	40	Square	B-19070-04-U-8	B-19070-10-U-8
	45	Square	B-19070-05-U-8	B-19070-11-U-8

Additional options (available on request)

Faceplate		Follower	Backset, mm	Special versions	Suitable shoot-bolt lock
Material/Finish	Width				
Stainless steel, gold-plated matt	-	-	50 55 60 65	Lock monitoring	B-1990

B-1910 panic lock

for 1-leaf doors

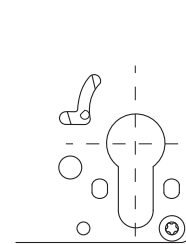
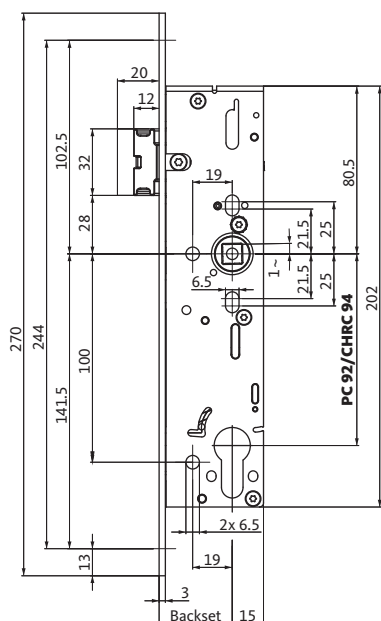


Functional description

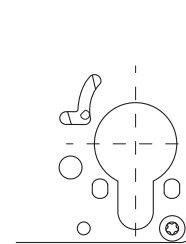
Panic function B

The exterior lever handle can be activated for "daytime" operation. It is set to idle again by locking the door via the locking cylinder and authorised key, so the door cannot be opened from outside. The door can basically be opened in the escape direction at any time.

For a detailed functional description see page 40



Detail: version with PC-hole



Detail: version with Swiss RC-hole



B-1910 panic lock for 1-leaf doors

Faceplate Material/Finish	Backset, mm	Faceplate Shape	Faceplate 24 x 3 x 270 mm	U-faceplate 24 x 6 x 2 x 268 mm
			Non-handed	Non-handed
Matt stainless steel	35	Square	B-19100-00-U-8	B-19100-10-U-8
	40	Square	B-19100-01-U-8	B-19100-11-U-8
	45	Square	B-19100-02-U-8	B-19100-12-U-8

B-1910 panic lock with Swiss RC-hole for 1-leaf doors

Faceplate Material/Finish	Backset, mm	Faceplate Shape	Faceplate 24 x 3 x 270 mm	U-faceplate 24 x 6 x 2 x 268 mm
			Swiss RC-hole Non-handed	Swiss RC-hole Non-handed
Matt stainless steel	35	Square	B-19100-07-U-8	B-19100-13-U-8
	40	Square	B-19100-08-U-8	B-19100-14-U-8
	45	Square	B-19100-09-U-8	B-19100-15-U-8

Additional options (available on request)

Faceplate		Follower	Backset, mm	Special versions	Suitable strikers
Material/Finish	Width				
Stainless steel, gold-plated matt	-	-	50 55 60 65	Lock monitoring	B 9000 1400 B 9000 1403

B-1911 panic lock

for 2-leaf doors

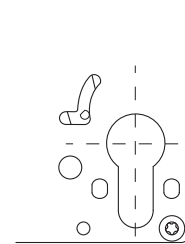
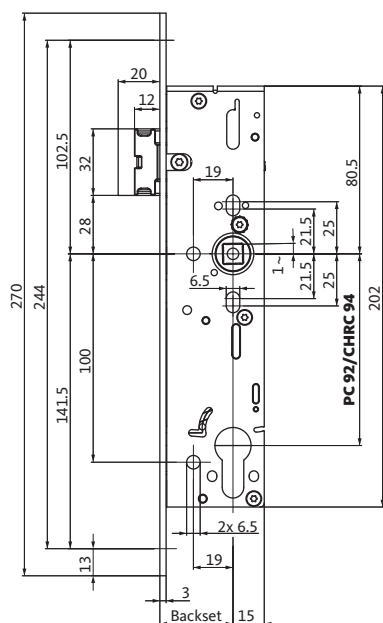


Functional description

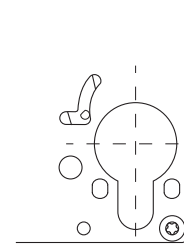
Panic function B

The exterior lever handle can be activated for "daytime" operation. It is set to idle again by locking the door via the locking cylinder and authorised key, so the door cannot be opened from outside. The door can basically be opened in the escape direction at any time.

For a detailed functional description see page 40



Detail: version with PC-hole



Detail: version with Swiss RC-hole



B-1911 panic lock for 2-leaf doors

Faceplate Material/Finish	Backset, mm	Faceplate Shape	Faceplate 24 x 3 x 270 mm	U-faceplate 24 x 6 x 2 x 268 mm
			Non-handed	Non-handed
Matt stainless steel	35	Square	B-19110-00-U-8	B-19110-10-U-8
	40	Square	B-19110-01-U-8	B-19110-11-U-8
	45	Square	B-19110-02-U-8	B-19110-12-U-8

B-1911 panic lock with Swiss RC-hole for 2-leaf doors

Faceplate Material/Finish	Backset, mm	Faceplate Shape	Faceplate 24 x 3 x 270 mm	U-faceplate 24 x 6 x 2 x 268 mm
			Swiss RC-hole Non-handed	Swiss RC-hole Non-handed
Matt stainless steel	35	Square	B-19110-07-U-8	B-19110-13-U-8
	40	Square	B-19110-08-U-8	B-19110-14-U-8
	45	Square	B-19110-09-U-8	B-19110-15-U-8

Additional options (available on request)

Faceplate		Follower	Backset, mm	Special versions	Suitable shoot-bolt lock
Material/Finish	Width				
Stainless steel, gold-plated matt	-	-	50 55 60 65	Lock monitoring	B-1990

B-1912 panic lock for 1-leaf doors

Faceplate Material/Finish	Backset, mm	Faceplate Shape	Faceplate 24 x 3 x 270 mm
			Non-handed
Matt stainless steel	35	Square	B-19120-00-U-8
	40	Square	B-19120-01-U-8
	45	Square	B-19120-02-U-8

B-1912 panic lock with Swiss RC-hole for 1-leaf doors

Faceplate Material/Finish	Backset, mm	Faceplate Shape	Faceplate 24 x 3 x 270 mm
			Swiss RC-hole Non-handed
Matt stainless steel	35	Square	B-19120-07-U-8
	40	Square	B-19120-08-U-8
	45	Square	B-19120-09-U-8

Additional options (available on request)

Faceplate		Follower	Backset, mm	Special versions	Suitable strikers
Material/Finish	Width				
Stainless steel, gold-plated matt	-	-	50 55 60 65	Lock monitoring	B 9000 1400 B 9000 1403

B-1913 panic lock

for 2-leaf doors

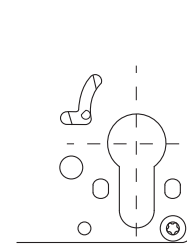
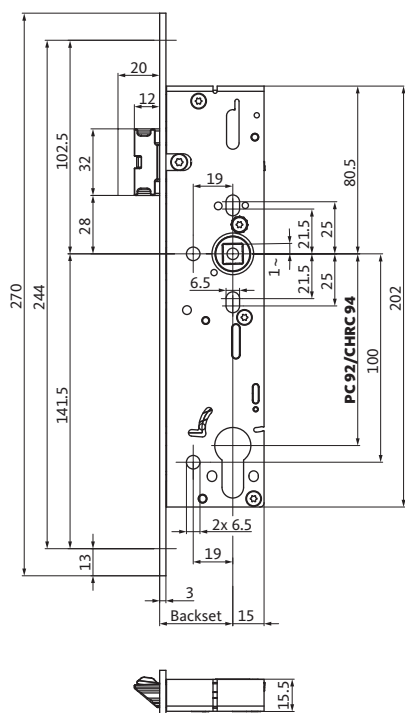


Functional description

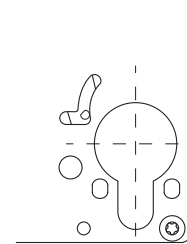
Panic function C

The exterior lever handle can only be activated by operating the locking cylinder. The lever handle is always set to idle when the key is removed. The door can be opened in the escape direction at any time.

For a detailed functional description see page 41



Detail: version with PC-hole



Detail: version with Swiss RC-hole



B-1913 panic lock for 2-leaf doors

Faceplate Material/Finish	Backset, mm	Faceplate Shape	Faceplate 24 x 3 x 270 mm
			Non-handed
Matt stainless steel	35	Square	B-19130-00-U-8
	40	Square	B-19130-01-U-8
	45	Square	B-19130-02-U-8

B-1913 panic lock with Swiss RC-hole for 2-leaf doors

Faceplate Material/Finish	Backset, mm	Faceplate Shape	Faceplate 24 x 3 x 270 mm
			Swiss RC-hole Non-handed
Matt stainless steel	35	Square	B-19130-07-U-8
	40	Square	B-19130-08-U-8
	45	Square	B-19130-09-U-8

Additional options (available on request)

Faceplate		Follower	Backset, mm	Special versions	Suitable shoot-bolt lock
Material/Finish	Width				
Stainless steel, gold-plated matt	-	-	50 55 60 65	Lock monitoring	B-1990

B-1916 panic lock

for 1-leaf doors



Functional description

Panic function E

Operation from inside

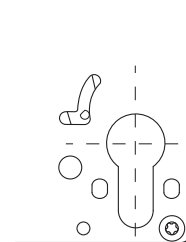
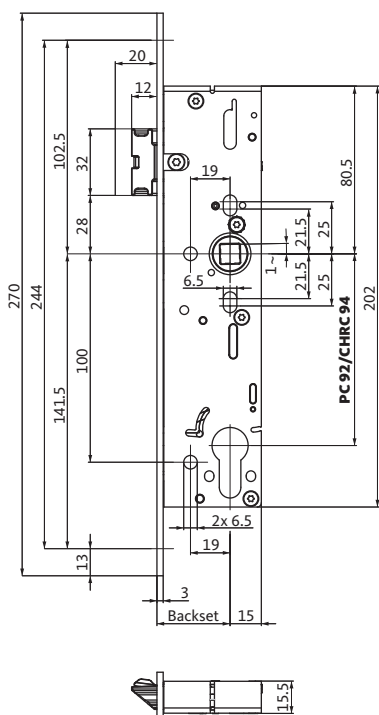
The door can basically be opened in the escape direction at any time.

Operation from outside:

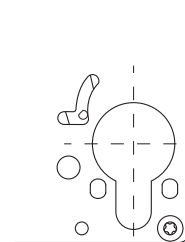
Only a fixed knob or a push/pull handle are permitted as hardware. Latchbolt is only operated by the key (via the latch lever). This retracts the locking element.

For a detailed functional description see page 43

Locking (from the inside or outside) using the key is not required.



Detail: version with PC-hole



Detail: version with Swiss RC-hole



B-1916 panic lock for 1-leaf doors

Faceplate Material/Finish	Backset, mm	Faceplate Shape	Faceplate 24 x 3 x 270 mm	U-faceplate 24 x 6 x 2 x 268 mm
			Non-handed	Non-handed
Matt stainless steel	35	Square	B-19160-00-U-8	B-19160-13-U-8
	40	Square	B-19160-01-U-8	B-19160-14-U-8
	45	Square	B-19160-02-U-8	B-19160-15-U-8

B-1916 panic lock with Swiss RC-hole for 1-leaf doors

Faceplate Material/Finish	Backset, mm	Faceplate Shape	Faceplate 24 x 3 x 270 mm	U-faceplate 24 x 6 x 2 x 268 mm
			Swiss RC-hole Non-handed	Swiss RC-hole Non-handed
Matt stainless steel	35	Square	B-19160-10-U-8	B-19160-16-U-8
	40	Square	B-19160-11-U-8	B-19160-17-U-8
	45	Square	B-19160-12-U-8	B-19160-18-U-8

B-1916 panic lock for 1-leaf doors with monitoring contacts

Faceplate Material/Finish	Backset, mm	Faceplate Shape	Faceplate 24 x 3 x 270 mm	U-faceplate 24 x 6 x 2 x 268 mm
			Non-handed	Non-handed
Matt stainless steel	35	Square	B-19160-22-U-8	B-19160-28-U-8
	40	Square	B-19160-23-U-8	B-19160-29-U-8
	45	Square	B-19160-24-U-8	B-19160-30-U-8

B-1916 panic lock for 1-leaf doors with key-controlled latch holdback

Faceplate Material/Finish	Backset, mm	Faceplate Shape	Faceplate 24 x 3 x 270 mm	U-faceplate 24 x 6 x 2 x 268 mm
			Non-handed	Non-handed
Matt stainless steel	35	Square	B-19160-37-U-8	B-19160-43-U-8
	40	Square	B-19160-38-U-8	B-19160-44-U-8
	45	Square	B-19160-39-U-8	B-19160-45-U-8

Additional options (available on request)

Faceplate		Follower	Backset, mm	Special versions	Suitable strikers
Material/Finish	Width				
Stainless steel, gold-plated matt	-	-	50 55 60 65	-	B 9000 1400 B 9000 1403

B-1917 panic lock

for 2-leaf doors



Functional description

Panic function E

Operation from inside

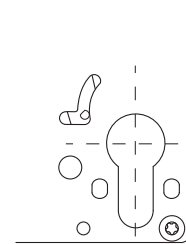
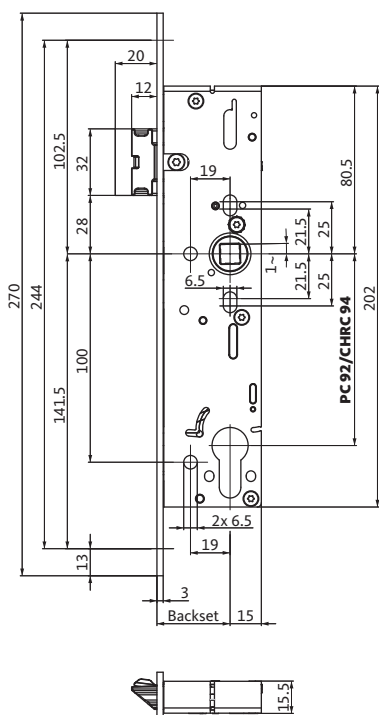
The door can basically be opened in the escape direction at any time.

Operation from outside:

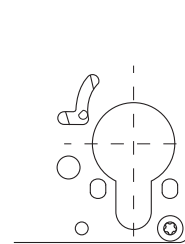
Only a fixed knob or a push/pull handle are permitted as hardware. Latchbolt is only operated by the key (via the latch lever). This retracts the locking element.

For a detailed functional description see page 43

Locking (from the inside or outside) using the key is not required.



Detail: version with PC-hole



Detail: version with Swiss RC-hole



B-1917 panic lock for 2-leaf doors

Faceplate Material/Finish	Backset, mm	Faceplate Shape	Faceplate 24 x 3 x 270 mm	U-faceplate 24 x 6 x 2 x 268 mm
			Non-handed	Non-handed
Matt stainless steel	35	Square	B-19170-00-U-8	B-19170-10-U-8
	40	Square	B-19170-01-U-8	B-19170-11-U-8
	45	Square	B-19170-02-U-8	B-19170-12-U-8

B-1917 panic lock with Swiss RC-hole for 2-leaf doors

Faceplate Material/Finish	Backset, mm	Faceplate Shape	Faceplate 24 x 3 x 270 mm	U-faceplate 24 x 6 x 2 x 268 mm
			Swiss RC-hole Non-handed	Swiss RC-hole Non-handed
Matt stainless steel	35	Square	B-19170-07-U-8	B-19170-13-U-8
	40	Square	B-19170-08-U-8	B-19170-14-U-8
	45	Square	B-19170-09-U-8	B-19170-15-U-8

B-1917 panic lock for 2-leaf doors with monitoring contact

Faceplate Material/Finish	Backset, mm	Faceplate Shape	Faceplate 24 x 3 x 270 mm	U-faceplate 24 x 6 x 2 x 268 mm
			Non-handed	Non-handed
Matt stainless steel	35	Square	B-19170-19-U-8	B-19170-25-U-8
	40	Square	B-19170-20-U-8	B-19170-26-U-8
	45	Square	B-19170-21-U-8	B-19170-27-U-8

B-1917 panic lock for 2-leaf doors with key-controlled latch holdback

Faceplate Material/Finish	Backset, mm	Faceplate Shape	Faceplate 24 x 3 x 270 mm	U-faceplate 24 x 6 x 2 x 268 mm
			Non-handed	Non-handed
Matt stainless steel	35	Square	B-19170-34-U-8	B-19170-40-U-8
	40	Square	B-19170-35-U-8	B-19170-41-U-8
	45	Square	B-19170-36-U-8	B-19170-42-U-8

Additional options (available on request)

Faceplate		Follower	Backset, mm	Special versions	Suitable shoot-bolt lock
Material/Finish	Width				
Stainless steel, gold-plated matt	-	-	50 55 60 65	-	B-1990

B-1920 EVP electrically-locking panic lock

for 1-leaf doors



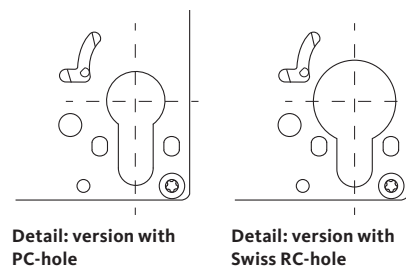
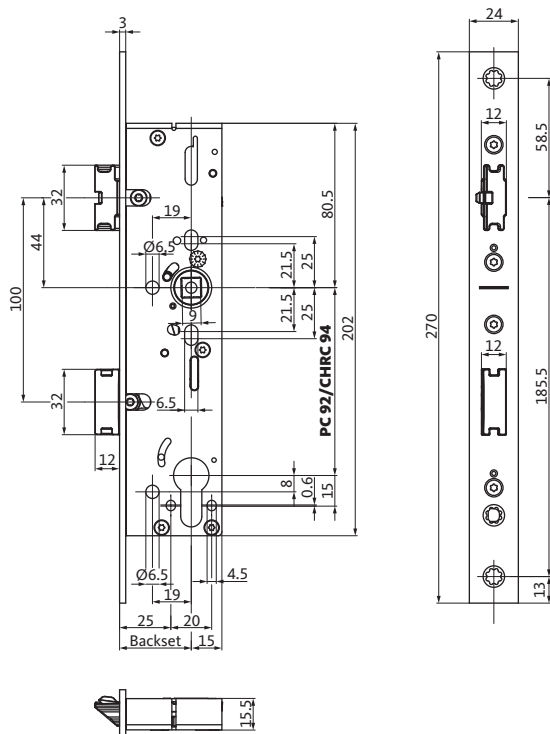
Functional description

The combination of self-locking panic lock and electric escape door locking provides a compact solution which significantly reduces the planning and production time for architects and door fabricators. The combination of these two products, which is unique in the market, unites various benefits in one system. With cables installed in the door frame only, millings other than those for the lock are no longer required! The electrical locking point has been ideally integrated into the panic lock. The automatic latchbolt ensures that the door is securely locked even in the event of a power failure and dispenses with the need to lock the door manually! When the escape door locking is enabled, the building can be exited at any time by operating the lever handle or push bar. The DIN lock case dimensions allow the fabricator to process all door leaves in the same way, regardless of whether an electrically controlled locking point is required or not. Thus, even retrofitting is possible without additional work on the door.

Panic function B

The exterior lever handle can be activated for "daytime" operation. It is set to idle again by locking the door via the locking cylinder and authorised key, so the door cannot be opened from outside. The door can be opened in the escape direction at any time.

For a detailed functional description see page 40



B-1920 EVP for 1-leaf doors

Faceplate Material/Finish	Backset, mm	Faceplate Shape	Faceplate 24 x 3 x 270 mm	U-faceplate 24 x 6 x 2 x 268 mm
			Non-handed	Non-handed
Matt stainless steel	35	Square	B-19200-00-U-8	B-19200-03-U-8
	40	Square	B-19200-01-U-8	B-19200-04-U-8
	45	Square	B-19200-02-U-8	B-19200-05-U-8

B-1920 EVP with Swiss RC-hole for 1-leaf doors

Faceplate Material/Finish	Backset, mm	Faceplate Shape	Faceplate 24 x 3 x 270 mm	U-faceplate 24 x 6 x 2 x 268 mm
			Non-handed	Non-handed
Matt stainless steel	35	Square	B-19200-06-U-8	B-19200-09-U-8
	40	Square	B-19200-07-U-8	B-19200-10-U-8
	45	Square	B-19200-08-U-8	B-19200-11-U-8

B-1920 EVP for 1-leaf doors with monitoring contacts

Faceplate Material/Finish	Backset, mm	Faceplate Shape	Faceplate 24 x 3 x 270 mm	U-faceplate 24 x 6 x 2 x 268 mm
			Non-handed	Non-handed
Matt stainless steel	35	Square	B-19200-12-U-8	B-19200-15-U-8
	40	Square	B-19200-13-U-8	B-19200-16-U-8
	45	Square	B-19200-14-U-8	B-19200-17-U-8

Accessories to be ordered separately

Description	Order number	See page
Connecting cable	B 5490 0300	453

Supplementary products (to be ordered separately)

Description	From page
Escape door control unit	488
Electric escape door strike	496

Additional options (available on request)

Faceplate		Follower	Backset, mm	Special versions	Suitable strikers	
Material/Finish	Width				DIN LH	DIN RH
Matt stainless steel	-	-	-	-	B 9000 0001	B 9000 0002
					B 9000 0003	B 9000 0004

B-1926 EVP electrically-locking panic lock

for 1-leaf doors



Functional description

The combination of self-locking panic lock and electric escape door locking provides a compact solution which significantly reduces the planning and production time for architects and door fabricators. The combination of these two products, which is unique in the market, unites various benefits in one system. With cables installed in the door frame only, millings other than those for the lock are no longer required! The electrical locking point has been ideally integrated into the panic lock. The automatic latchbolt ensures that the door is securely locked even in the event of a power failure and dispenses with the need to lock the door manually! When the escape door locking is enabled, the building can be exited at any time by operating the lever handle or push bar. The DIN lock case dimensions allow the fabricator to process all door leaves in the same way, regardless of whether an electrically controlled locking point is required or not. Thus, even retrofitting is possible without additional work on the door.

Panic function E

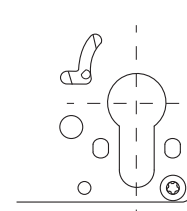
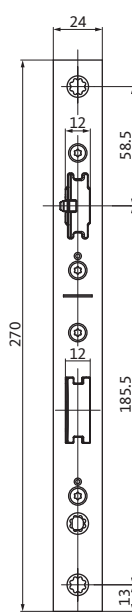
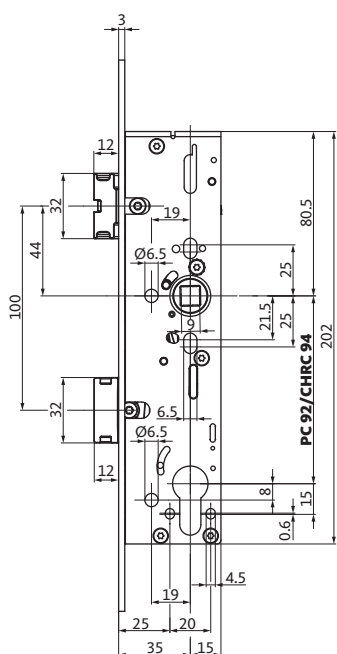
Operation from inside

Passage from inside to outside: the lever handle on the inside operates the latchbolt. Locking is not required.

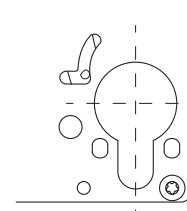
Operation from outside

Only a fixed knob or a push/pull handle are permitted as hardware. The latchbolt and latch are only operated by the key (via the latch lever).

For a detailed functional description see page 43



Detail: version with PC-hole



Detail: version with Swiss RC-hole



B-1926 EVP for 1-leaf doors

Faceplate Material/Finish	Backset, mm	Faceplate Shape	Faceplate 24 x 3 x 270 mm	U-faceplate 24 x 6 x 2 x 268 mm
			Non-handed	Non-handed
Matt stainless steel	35	Square	B-19260-00-U-8	B-19260-03-U-8
	40	Square	B-19260-01-U-8	B-19260-04-U-8
	45	Square	B-19260-02-U-8	B-19260-05-U-8

B-1926 EVP with Swiss RC-hole for 1-leaf doors

Faceplate Material/Finish	Backset, mm	Faceplate Shape	Faceplate 24 x 3 x 270 mm	U-faceplate 24 x 6 x 2 x 268 mm
			Non-handed	Non-handed
Matt stainless steel	35	Square	B-19260-06-U-8	B-19260-09-U-8
	40	Square	B-19260-07-U-8	B-19260-10-U-8
	45	Square	B-19260-08-U-8	B-19260-11-U-8

B-1926 EVP for 1-leaf doors with monitoring contacts

Faceplate Material/Finish	Backset, mm	Faceplate Shape	Faceplate 24 x 3 x 270 mm	U-faceplate 24 x 6 x 2 x 268 mm
			Non-handed	Non-handed
Matt stainless steel	35	Square	B-19260-12-U-8	B-19260-15-U-8
	40	Square	B-19260-13-U-8	B-19260-16-U-8
	45	Square	B-19260-14-U-8	B-19260-17-U-8

Accessories to be ordered separately

Description	Order number	See page
Connecting cable	B 5490 0300	453

Supplementary products (to be ordered separately)

Description	From page
Escape door control unit	488
Electric escape door strike	496

Additional options (available on request)

Faceplate		Follower	Backset, mm	Special versions	Suitable strikers	
Material/Finish	Width				DIN LH	DIN RH
Matt stainless steel	-	-	-	Key-controlled latch holdback	B 9000 0001	B 9000 0002
					B 9000 0003	B 9000 0004

B 1956 motor-driven panic lock

for 1-leaf doors



Functional description

Unlocking time: once engaged, it may take between 2 and 20 seconds to retract each latchbolt individually. Mechanical release by means of the key or the lever handle is possible at any time. Door no longer needs to be locked manually, latchbolt released mechanically using the key in the event of a power failure

Monitoring contacts: latchbolt, locking cam/lever handle, sabotage contacts (when the latchbolt is released manually three times without authorisation when the door is open, a sabotage alarm is activated).

Current consumption:
1 A max.

Load capacity of switches:
24 V DC/160 mA

Voltage supply:
operating voltage 24 V DC \pm 15%

Panic function E

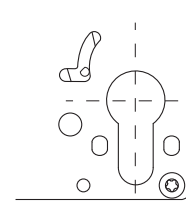
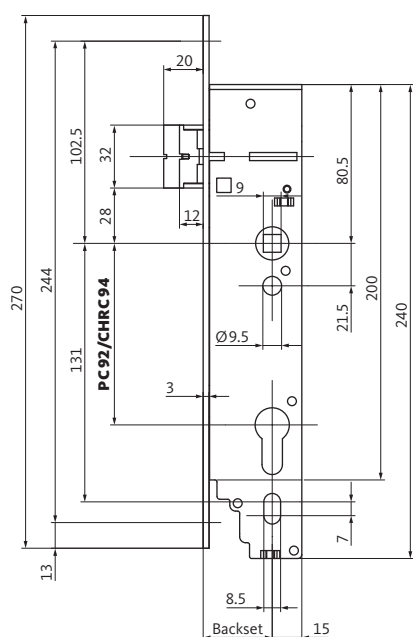
Operation from inside

Passage from inside to outside: the lever handle on the inside operates the latchbolt. Locking (from the inside or outside) using the key is not required.

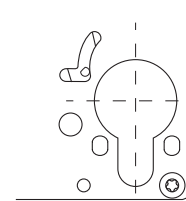
Operation from outside

Only a fixed knob or a push/pull handle are permitted as hardware. Latchbolt is only operated by the key (via the latch lever).

For a detailed functional description see page 43



Detail: version with PC-hole



Detail: version with Swiss RC-hole



B 1956 motor-driven panic lock for 1-leaf doors

Faceplate Material/Finish	Backset, mm	Faceplate Shape	Faceplate 24 x 3 x 270 mm		U-faceplate 24 x 6 x 2 x 268 mm	
			DIN LH	DIN RH	DIN LH	DIN RH
Matt stainless steel	35	Square	B 1956 0003	B 1956 0004	B 1956 0503	B 1956 0504
	40	Square	B 1956 0005	B 1956 0006	B 1956 0505	B 1956 0506
	45	Square	B 1956 0007	B 1956 0008	B 1956 0507	B 1956 0508
	50	Square	B 1956 0009	B 1956 0010	-	-
	55	Square	B 1956 0011	B 1956 0012	-	-
	60	Square	B 1956 0013	B 1956 0014	-	-
	65	Square	B 1956 0015	B 1956 0016	-	-

Including B 5490 0300 connecting cable

B 1956 motor-driven panic lock with Swiss RC-hole for 1-leaf doors

Faceplate Material/Finish	Backset, mm	Faceplate Shape	Faceplate 24 x 3 x 270 mm		U-faceplate 24 x 6 x 2 x 268 mm
			Swiss RC-hole		Swiss RC-hole
			DIN LH	DIN RH	
Matt stainless steel	35	Square	B 1956 0003 0001	B 1956 0004 0001	B 1956 0503 0002
	40	Square	B 1956 0005 0001	B 1956 0006 0001	B 1956 0504 0002
	45	Square	B 1956 0007 0001	B 1956 0008 0001	-

Including B 5490 0300 connecting cable

Accessories to be ordered separately

Description	Order number	See page
Emergency power backup	B 5490 0301	452

B 1959 motor-driven panic lock

for 2-leaf doors



Functional description

Unlocking time: once engaged, it may take between 2 and 20 seconds to retract each latchbolt individually. Mechanical release by means of the key or the lever handle is possible at any time. Door no longer needs to be locked manually, latchbolt released mechanically using the key in the event of a power failure

Monitoring contacts: latchbolt, locking cam / lever handle, sabotage contacts (when the latchbolt is released manually three times without authorisation when the door is open, a sabotage alarm is activated).

Current consumption:
1 A max.

Load capacity of switches:
DC 24 V/160 mA

Voltage supply:
operating voltage DC 24 V ± 15%

Panic function E

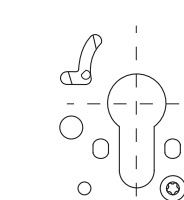
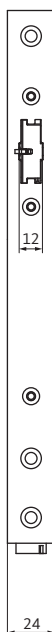
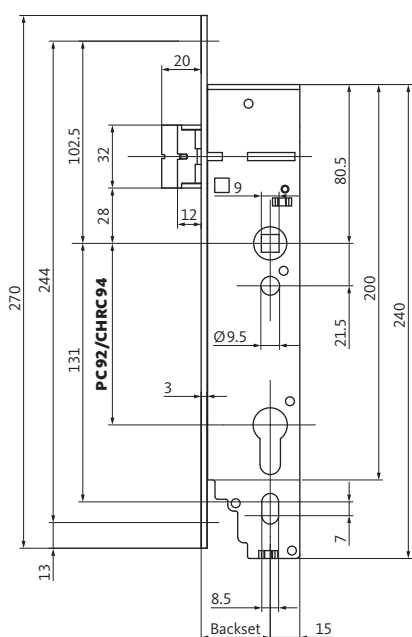
Operation from inside

Passage from inside to outside: the lever handle on the inside operates the latchbolt. Locking (from the inside or outside) using the key is not required.

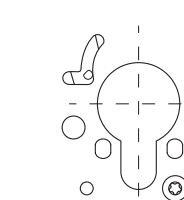
Operation from outside

Only a fixed knob or a push/pull handle are permitted as hardware. Latchbolt is only operated by the key (via the latch lever).

For a detailed functional description see page 43



Detail: version with PC-hole



Detail: version with Swiss RC-hole



B 1959 motor-driven panic lock for 2-leaf doors

Faceplate Material/Finish	Backset, mm	Faceplate Shape	Faceplate 24 x 3 x 270 mm		U-faceplate 24 x 6 x 2 x 268 mm	
			DIN LH	DIN RH	DIN LH	DIN RH
Matt stainless steel	35	Square	B 1959 0003	B 1959 0004	B 1959 0503	B 1959 0504
	40	Square	B 1959 0005	B 1959 0006	B 1959 0505	B 1959 0506
	45	Square	B 1959 0007	B 1959 0008	B 1959 0507	B 1959 0508
	50	Square	B 1959 0009	B 1959 0010	–	–
	55	Square	B 1959 0011	B 1959 0012	–	–
	60	Square	B 1959 0013	B 1959 0014	–	–
	65	Square	B 1959 0015	B 1959 0016	–	–

Including B 5490 0300 connecting cable

B 1959 motor-driven panic lock with Swiss RC-hole for 2-leaf doors

Faceplate Material/Finish	Backset, mm	Faceplate Shape	Faceplate 24 x 3 x 270 mm Swiss RC-hole		U-faceplate 24 x 6 x 2 x 268 mm Swiss RC-hole	
			DIN LH	DIN RH	DIN LH	DIN RH
Matt stainless steel	35	Square	B 1959 0003 0001	B 1959 0004 0001	B 1959 0503 0002	B 1959 0504 0001
	40	Square	B 1959 0005 0001	B 1959 0006 0001	–	–
	45	Square	B 1959 0007 0001	B 1959 0008 0001	B 1959 0507 0002	B 1959 0508 0001

Including B 5490 0300 connecting cable

Accessories to be ordered separately

Description	Order number	See page
Emergency power backup	B 5490 0301	452

B-1970 electrically coupled panic lock

for 1-leaf doors



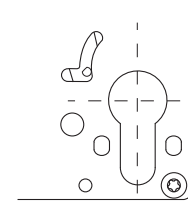
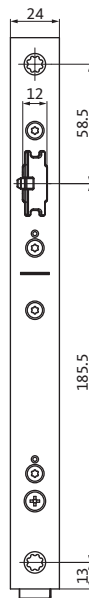
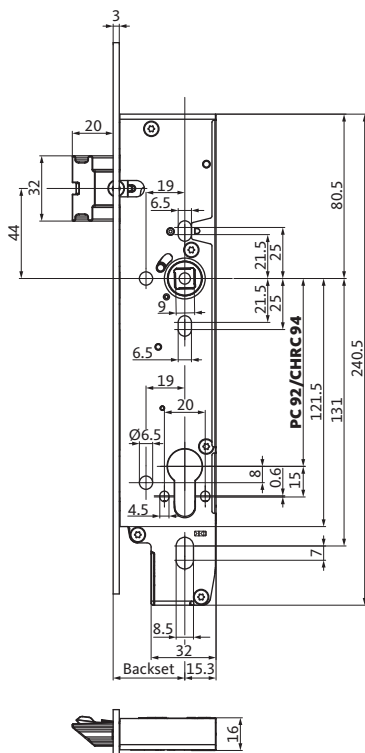
Functional description

Self-locking panic lock for 1-leaf doors with electrically coupled exterior lever handle and mechanical panic function on the interior lever handle. The door can always be opened towards the outside. The door is automatically locked when pulled shut. The latch acts as a second deadbolt. The lock is actuated by the trigger lever which is integrated into the latchbolt. This ensures that the lock is not locked until the door leaf is in its final closed position. This avoids malfunctions. The exterior lever handle is coupled when energised, i.e. access can be controlled electrically. Activation is possible by means of door opener button, intercom or similar, time switches, or access control system. The latchbolts, cylinder cam and follower are queried electrically via integrated switches.

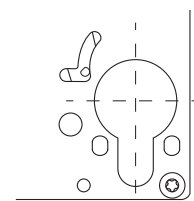
Additionally, secure data transmission is possible via the I/O module EK (BUS).

Latch lever function

Latchbolt is only operated electrically or with the key via the latch lever. The door can be opened in the escape direction at any time.



Detail: version with PC-hole



Detail: version with Swiss RC-hole



B-1970 electrically coupled panic lock for 1-leaf doors

Faceplate Material/Finish	Backset, mm	Faceplate Shape	Faceplate 24 x 3 x 270 mm	U-faceplate 24 x 6 x 2 x 268 mm
			Non-handed	Non-handed
Matt stainless steel	35	Square	B-19700-00-U-8	B-19700-11-U-8
	40	Square	B-19700-02-U-8	B-19700-13-U-8
	45	Square	B-19700-04-U-8	B-19700-14-U-8

B-1970 electrically coupled panic lock with Swiss RC-hole for 1-leaf doors

Faceplate Material/Finish	Backset, mm	Faceplate Shape	Faceplate 24 x 3 x 270 mm	U-faceplate 24 x 6 x 2 x 268 mm
			Swiss RC-hole Non-handed	Swiss RC-hole Non-handed
Matt stainless steel	35	Square	B-19700-01-U-8	B-19700-12-U-8
	40	Square	B-19700-03-U-8	-
	45	Square	B-19700-05-U-8	-

Accessories to be ordered separately

Description	Order number	See page
Connecting cable	B 5490 0300	453
Power supply unit (24 V DC/1 A)	B 5494 0004	499
I/O module EK	B-54900-03-3-9	445

Additional options (available on request)

Faceplate		Follower	Backset, mm	Special versions	Suitable strikers	
Material/Finish	Width					
Stainless steel, gold-plated matt	-	-	50 55 60 65	-	B 9000 1046 B 9000 1219	Square U-striker

B-1971 electrically coupled panic lock

for 2-leaf doors



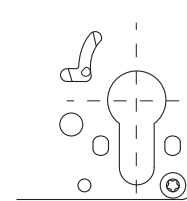
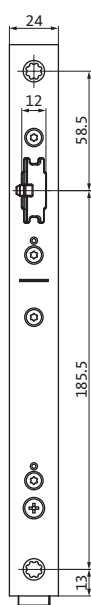
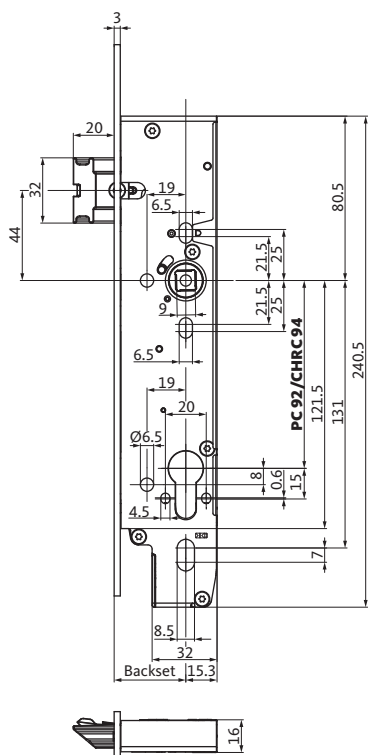
Functional description

Self-locking panic lock for 2-leaf doors with electrically coupled exterior lever handle and mechanical panic function on the interior lever handle. The door can always be opened towards the outside. The door is automatically locked when pulled shut. In this case the latch acts as a second deadbolt. The lock is actuated by the trigger lever which is integrated into the latchbolt. This ensures that the lock is not locked until the door leaf is in its final closed position. This avoids malfunctions. The exterior lever handle is coupled when energised, i.e. access can be controlled electrically. Activation is possible by means of door opener button, intercom or similar, time switches, or access control system. The latchbolts, cylinder cam and follower are queried electrically via integrated switches.

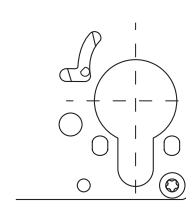
Additionally, secure data transmission is possible via the I/O module EK (BUS).

Latch lever function

Latchbolt is only operated electrically or with the key via the latch lever. The door can be opened in the escape direction at any time.



Detail: version with PC-hole



Detail: version with Swiss RC-hole



B-1971 electrically coupled panic lock for 2-leaf doors

Faceplate Material/Finish	Backset, mm	Faceplate Shape	Faceplate 24 x 3 x 270 mm	U-faceplate 24 x 6 x 2 x 268 mm
			Non-handed	Non-handed
Matt stainless steel	35	Square	B-19710-00-U-8	B-19710-11-U-8
	40	Square	B-19710-02-U-8	B-19710-13-U-8
	45	Square	B-19710-04-U-8	B-19710-14-U-8

B-1971 electrically coupled panic lock with Swiss RC-hole for 2-leaf doors

Faceplate Material/Finish	Backset, mm	Faceplate Shape	Faceplate 24 x 3 x 270 mm	U-faceplate 24 x 6 x 2 x 268 mm
			Swiss RC-hole Non-handed	Swiss RC-hole Non-handed
Matt stainless steel	35	Square	B-19710-01-U-8	B-19710-12-U-8
	40	Square	B-19710-03-U-8	-
	45	Square	B-19710-05-U-8	-

Accessories to be ordered separately

Description	Order number	See page
Connecting cable	B 5490 0300	453
Power supply unit (24 V DC/1 A)	B 5494 0004	499
I/O module EK	B-54900-03-3-9	445

Additional options (available on request)

Faceplate		Follower	Backset, mm	Special versions	Suitable shoot-bolt lock
Material/Finish	Width				
Stainless steel, gold-plated matt	-	-	50 55 60 65	-	B-1990

B-1980 electrically coupled panic lock

with top-locking feature for 1-leaf doors



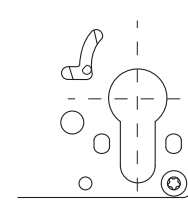
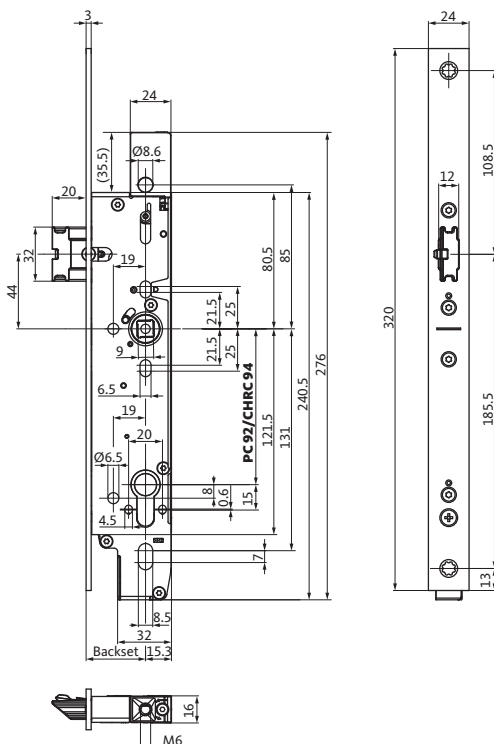
Functional description

Self-locking panic lock for 1-leaf doors with top-locking feature, electrically coupled outside handle and mechanical panic function on the inside handle. The door can always be opened towards the outside. When pulled shut, the door locks automatically at two points. The latch acts as a second deadbolt with two locking positions. The lock is actuated by the trigger lever which is integrated in the latchbolt. This ensures that the lock is not locked until the door leaf is in its final closed position. This avoids malfunctions. The exterior lever handle is coupled when energised, i.e. access can be controlled electrically. Access can be controlled electronically by means of a card reader, an intercom, a time switch or an access control system. In versions with monitoring contacts the status of the individual lock components is also queried electrically via integrated switches.

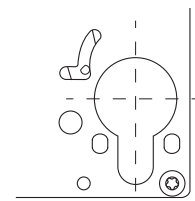
Additionally, secure data transmission is possible via the I/O module EK (BUS).

Latch lever function

Latchbolt is only operated electrically or with the key via the latch lever. The door can be opened in the escape direction at any time.



Detail: version with PC-hole



Detail: version with Swiss RC-hole (on request)



B-1980 electrically coupled panic lock for 1-leaf doors with top-locking feature

Faceplate Material/Finish	Backset, mm	Faceplate Shape	Faceplate 24 x 3 x 320 mm	U-faceplate 24 x 6 x 2 x 318 mm
			Non-handed	Non-handed
Matt stainless steel	35	Square	B-19800-00-U-8	B-19800-06-U-8
	40	Square	B-19800-02-U-8	-
	45	Square	B-19800-03-U-8	-

Accessories to be ordered separately

Description	Order number	See page
Connecting cable	B 5490 0300	453
Power supply unit (24 V DC/1 A)	B 5494 0004	499
I/O module EK	B-54900-03-3-9	445

Additional options (available on request)

Faceplate		Follower	Backset, mm	Special versions	Suitable strikers	
Material/Finish	Width					
Stainless steel, gold-plated matt	-	-	50 55 60 65	Swiss round cylinder	B 9000 1046 B 9000 1219	Square U-striker

B-1981 electrically coupled panic lock for 2-leaf doors with top-locking feature

Faceplate Material/Finish	Backset, mm	Faceplate Shape	Faceplate 24 x 3 x 320 mm
			Non-handed
Matt stainless steel	35	Square	B-19810-00-U-8
	40	Square	B-19810-02-U-8
	45	Square	B-19810-03-U-8

Accessories to be ordered separately

Description	Order number	See page
Connecting cable	B 5490 0300	453
Power supply unit (24 V DC/1 A)	B 5494 0004	499
I/O module EK	B-54900-03-3-9	445

Additional options (available on request)

Faceplate		Follower	Backset, mm	Special versions	Suitable shoot-bolt lock
Material/Finish	Width				
Stainless steel, gold-plated matt	-	-	50 55 60 65	Swiss round cylinder	B-1990

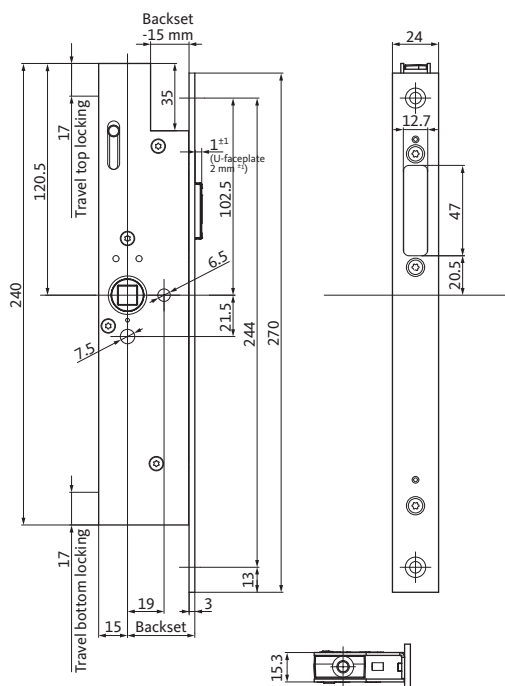
B-1990 shoot-bolt lock

for automatic locking



Functional description

When the passive leaf is closed, automatic locking of the spring-loaded vertical rods at the top and bottom is triggered by passive-leaf control lock B 1895. The door is only locked once this locking operation has been performed. When unlocking, the vertical rods are retracted into the passive leaf by operating the vertical lever or panic push bar which simultaneously pushes the latchbolt back into the lock of the active leaf. Once the rotational movement of the hardware is completed, the vertical rods are automatically locked in place within the passive-leaf control lock. As they steplessly engage for as long as the passive leaf is open, the secured vertical rods are prevented from extending so the floor covering will not be damaged. When using the remote lock B 1798, the removable locking device must be removed.



B-1990 shoot-bolt lock

Faceplate Material/Finish	Backset, mm	Faceplate Shape	Faceplate 24 x 3 x 270 mm Non-handed	U-faceplate 24 x 6 x 2 x 268 mm Non-handed
Matt stainless steel	35 (34)	Square	B-19900-01-0-8	B-19900-11-0-8
	40 (39)	Square	B-19900-02-0-8	B-19900-12-0-8
	45 (44)	Square	B-19900-03-0-8	B-19900-13-0-8
	50 (49)	Square	B-19900-04-0-8	B-19900-14-0-8
	55 (54)	Square	B-19900-05-0-8	B-19900-15-0-8
	60 (59)	Square	B-19900-06-0-8	B-19900-16-0-8
	65 (64)	Square	B-19900-07-0-8	B-19900-17-0-8
	70 (69)	Square	B-19900-08-0-8	B-19900-18-0-8
	80 (79)	Square	B-19900-09-0-8	B-19900-19-0-8

B-1990 shoot-bolt lock with latchbolt monitoring contact

Faceplate Material/Finish	Backset, mm	Faceplate Shape	Faceplate 24 x 3 x 270 mm Non-handed	U-faceplate 24 x 6 x 2 x 268 mm Non-handed
Matt stainless steel	35	Square	B-19900-50-0-8	B-19900-55-0-8
	40	Square	B-19900-51-0-8	-
	45	Square	B-19900-52-0-8	-

B 5490 0300 connecting cable must be ordered separately.

Additional options (available on request)

Faceplate		Follower	Backset, mm	Special versions	Suitable locks	
Material/Finish	Width					
Stainless steel, gold-plated matt	-	-	-	-	B-1901 B-1903 B-1907 SECURY 1911 SECURY 1913 SECURY 1919 SECURY 1967 SECURY 1971	B-1911 B-1913 B-1917

B-1993 motor-driven shoot-bolt lock

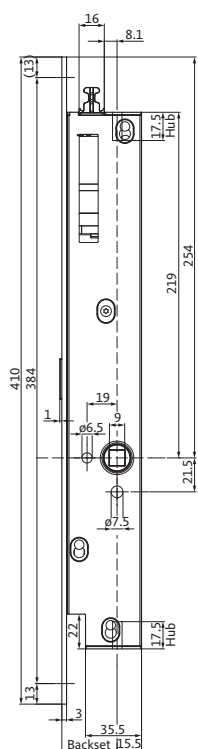
for automatic locking



Functional description

When the passive leaf is closed, automatic locking of the spring-loaded vertical rods at the top and bottom is triggered by passive-leaf control lock B 1895. The door is only locked once this locking operation has been performed. When unlocking, the vertical rods are retracted into the passive leaf by operating the vertical lever or panic push bar which simultaneously pushes the latchbolt back into the lock of the active leaf. Once the rotational movement of the hardware is completed, the vertical rods are automatically locked in place within the passive-leaf control lock. As they steplessly engage for as long as the passive leaf is open, the secured vertical rods are prevented from extending so the floor covering will not be damaged. When using the remote lock B 1798, removable block must be removed. The motor-driven shoot-bolt lock can be opened electrically, e.g. in combination with a swing-door drive, as well as mechanically. The passive leaf is unlocked, while the active leaf remains locked.

No motor-driven lock required at active leaf; active and passive leaf unlocked electrically.



B-1993 motor-driven shoot-bolt lock

Faceplate Material/Finish	Backset, mm	Faceplate Shape	Faceplate 24 x 3 x 410 mm Non-handed
Matt stainless steel	35	Square	B-19930-00-0-8
	40	Square	B-19930-01-0-8
	45	Square	B-19930-02-0-8
	65	Square	B-19930-06-0-8

B-1993 motor-driven shoot-bolt lock

Faceplate Material/Finish	Backset, mm	Faceplate Shape	U-faceplate 24 x 6 x 2 x 408 mm Non-handed
Matt stainless steel	34	Square	B-19930-12-0-8
	39	Square	B-19930-11-0-8
	44	Square	B-19930-10-0-8

Accessories to be ordered separately

Description	Order number	See page
Motor lock control unit	B-54900-01-3-9	444
Motor lock control unit for NSHEV systems	B-54900-01-4-9	444
Connecting cable	B 5490 0300	453
Power supply unit (24 V DC/4.2 A)	B 5570 0401	499
Emergency power backup for fire protection doors	B-54903-23-3-9	444
Top-hat rail casing for controller, emergency power backup, power supply unit	B 5495 0251	444

Additional options (available on request)

Faceplate		Follower	Backset, mm	Special versions	Suitable locks	
Material/Finish	Width					
Stainless steel, gold-plated matt	Lipped faceplate	-	-	-	B-1901 B-1903 B-1907 SECURY 1911 SECURY 1913 SECURY 1919 SECURY 1967 SECURY 1971	B-1911 B-1913 B-1917

SECURY 1910 for 1-leaf doors

Faceplate Material/Finish	Backset, mm	Faceplate Shape	Faceplate 24 x 3 x 1750 m		U-faceplate 24 x 6 x 2 x 1750 mm	
			DIN LH	DIN RH	DIN LH	DIN RH
Matt stainless steel	35/34	Square	6-38611-13-L-8	6-38611-13-R-8	6-38611-02-L-8	6-38611-02-R-8
	40/39	Square	6-38611-14-L-8	6-38611-14-R-8	6-38611-03-L-8	6-38611-03-R-8
	45/44	Square	6-38611-01-L-8	6-38611-01-R-8	6-38611-04-L-8	6-38611-04-R-8

SECURY 1910 with Swiss RC-hole for 1-leaf doors

Faceplate Material/Finish	Backset, mm	Faceplate Shape	Faceplate 24 x 3 x 1750 m		U-faceplate 24 x 6 x 2 x 1750 mm	
			DIN LH	DIN RH	DIN LH	DIN RH
Matt stainless steel	35/34	Square	6-38611-16-L-8	6-38611-16-R-8	6-38611-18-L-8	6-38611-18-R-8
	45/44	Square	6-38611-17-L-8	6-38611-17-R-8	6-38611-19-L-8	6-38611-19-R-8

Accessories to be ordered separately

Description	Order number	See page
A-opener kit (including 6 m connecting cable)	K-18153-01-0-0	453

Additional options (available on request)

Faceplate		Follower	Backset, mm	Special versions	Suitable strikers
Material/Finish	Width				
-	-	-	-	Panic function inward SECURY 1912 with panic function C	9-43501 6-36048 6-33616 6-33617 B 9000 0911 B 9000 0914

SECURY 1911

for 2-leaf doors

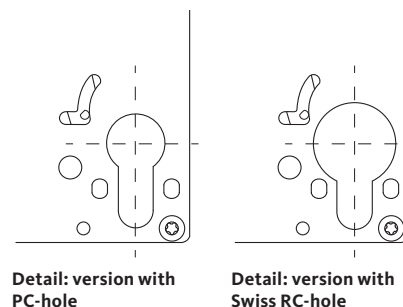
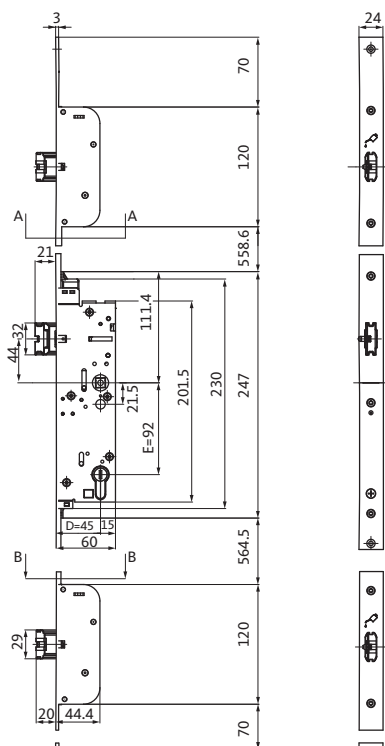


Functional description

Panic function B

The exterior lever handle can be activated for "daytime" operation. It is set to idle again by locking the door via the locking cylinder and authorised key, so the door cannot be opened from outside. The door can basically be opened in the escape direction at any time.

For a detailed functional description see page 40



SECURY 1911 for 2-leaf doors

Faceplate Material/Finish	Backset, mm	Faceplate Shape	Faceplate 24 x 3 x 1750 m		U-faceplate 24 x 6 x 2 x 1750 mm	
			DIN LH	DIN RH	DIN LH	DIN RH
Matt stainless steel	35/34	Square	6-38611-11-L-8	6-38611-11-R-8	6-38611-06-L-8	6-38611-06-R-8
	40/39	Square	6-38611-12-L-8	6-38611-12-R-8	6-38611-07-L-8	6-38611-07-R-8
	45/44	Square	6-38611-05-L-8	6-38611-05-R-8	6-38611-08-L-8	6-38611-08-R-8

SECURY 1911 with Swiss RC-hole for 2-leaf doors

Faceplate Material/Finish	Backset, mm	Faceplate Shape	Faceplate 24 x 3 x 1750 m		U-faceplate 24 x 6 x 2 x 1750 mm	
			DIN LH	DIN RH	DIN LH	DIN RH
Matt stainless steel	35/34	Square	6-38611-20-L-8	6-38611-20-R-8	6-38611-21-L-8	6-38611-21-R-8
	45/44	Square	6-38611-15-L-8	6-38611-15-R-8	6-38611-22-L-8	6-38611-22-R-8

Accessories to be ordered separately

Description	Order number	See page
A-opener kit (including 6 m connecting cable)	K-18153-01-0-0	453

Additional options (available on request)

Faceplate		Follower	Backset, mm	Special versions	Suitable shoot-bolt lock
Material/Finish	Width				
-	-	-	-	Panic function inward SECURY 1913 with panic function C	B-1990

SECURY 1916

for 1-leaf doors



Functional description

Panic function E

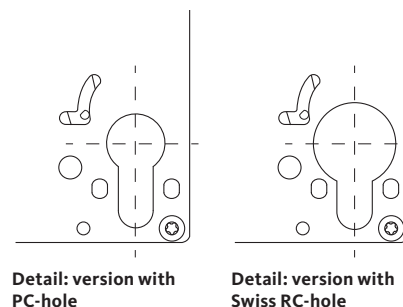
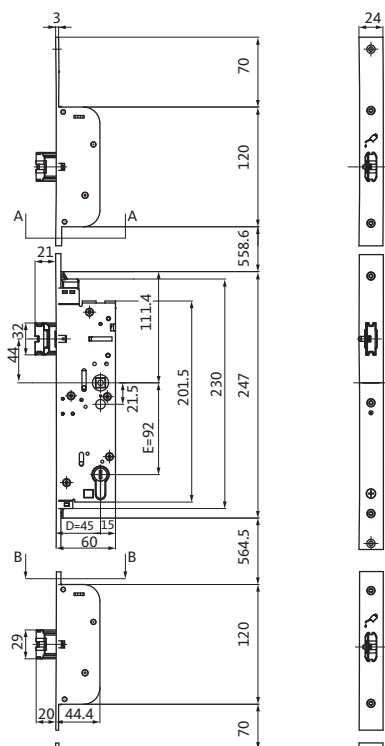
Operation from inside

Passage from inside to outside, the latchbolts are retracted by operating the handle. Locking (from the inside or outside) using the key is not required.

Operation from outside

Only a fixed knob or a push/pull handle are permitted as hardware. The latchbolts can only be retracted by key via the latch lever. The latchbolts are withdrawn.

For a detailed functional description see page 43



SECURY 1916 for 1-leaf doors

Faceplate Material/Finish	Backset, mm	Faceplate Shape	Faceplate 24 x 3 x 1750 m		U-faceplate 24 x 6 x 2 x 1750 mm	
			DIN LH	DIN RH	DIN LH	DIN RH
Matt stainless steel	35/34	Square	6-38613-11-L-8	6-38613-11-R-8	6-38613-02-L-8	6-38613-02-R-8
	40/39	Square	6-38613-12-L-8	6-38613-12-R-8	6-38613-03-L-8	6-38613-03-R-8
	45/44	Square	6-38613-01-L-8	6-38613-01-R-8	6-38613-04-L-8	6-38613-04-R-8

SECURY 1916 with Swiss RC-hole for 1-leaf doors

Faceplate Material/Finish	Backset, mm	Faceplate Shape	Faceplate 24 x 3 x 1750 m		U-faceplate 24 x 6 x 2 x 1750 mm	
			DIN LH	DIN RH	DIN LH	DIN RH
Matt stainless steel	35	Square	6-38613-17-L-8	6-38613-17-R-8	6-38613-15-L-8	6-38613-15-R-8
	45	Square	6-38613-18-L-8	6-38613-18-R-8	6-38613-16-L-8	6-38613-16-R-8

SECURY 1916 S with monitoring contacts, for 1-leaf doors

Faceplate Material/Finish	Backset, mm	Faceplate Shape	Faceplate 24 x 3 x 1750 m	
			DIN LH	DIN RH
Matt stainless steel	45	Square	6-37241-03-L-8	6-37241-03-R-8

Including B 5490 0300 connecting cable

Accessories to be ordered separately

Description	Order number	See page
A-opener kit (including 6 m connecting cable)	K-18153-01-0-0	453

Additional options (available on request)

Faceplate		Follower	Backset, mm	Special versions	Suitable strikers
Material/Finish	Width				
-	-	-	-	-	9-43501 6-36048 6-33616 6-33617 B 9000 0911 B 9000 0914

SECURY 1919

for 2-leaf doors



Functional description

Panic function E

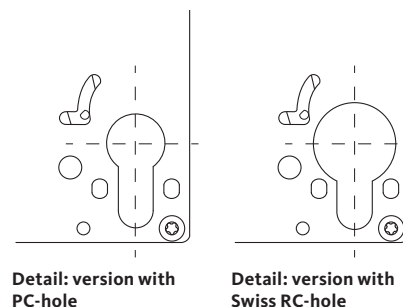
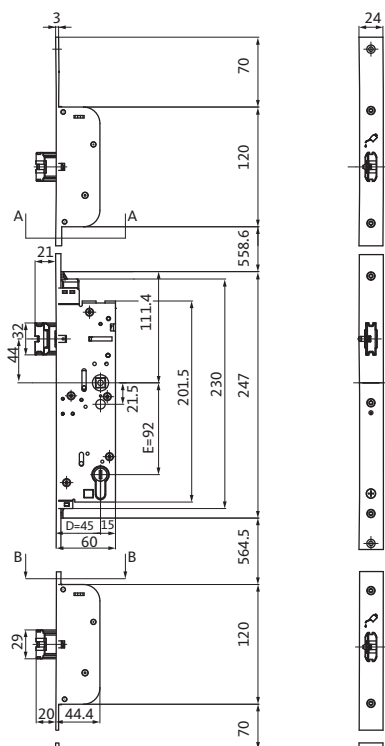
Operation from inside

Passage from inside to outside, the latchbolts are retracted by operating the handle. Locking (from the inside or outside) using the key is not required.

Operation from outside

Only a fixed knob or a push/pull handle are permitted as hardware. The latchbolts can only be retracted by key via the latch lever. The latchbolts are withdrawn.

For a detailed functional description see page 43



SECURY 1919 for 2-leaf doors

Faceplate Material/Finish	Backset, mm	Faceplate Shape	Faceplate 24 x 3 x 1750 m		U-faceplate 24 x 6 x 2 x 1750 mm	
			DIN LH	DIN RH	DIN LH	DIN RH
Matt stainless steel	35/34	Square	6-38613-13-L-8	6-38613-13-R-8	6-38613-06-L-8	6-38613-06-R-8
	40/39	Square	6-38613-14-L-8	6-38613-14-R-8	6-38613-07-L-8	6-38613-07-R-8
	45/44	Square	6-38613-05-L-8	6-38613-05-R-8	6-38613-08-L-8	6-38613-08-R-8

SECURY 1919 with Swiss RC-hole for 2-leaf doors

Faceplate Material/Finish	Backset, mm	Faceplate Shape	Faceplate 24 x 3 x 1750 m		U-faceplate 24 x 6 x 2 x 1750 mm	
			DIN LH	DIN RH	DIN LH	DIN RH
Matt stainless steel	35/34	Square	6-38613-20-L-8	6-38613-20-R-8	6-38613-22-L-8	6-38613-22-R-8
	45/44	Square	6-38613-21-L-8	6-38613-21-R-8	6-38613-19-L-8	6-38613-19-R-8

SECURY 1919 S with monitoring contacts, for 2-leaf doors

Faceplate Material/Finish	Backset, mm	Faceplate Shape	Faceplate 24 x 3 x 1750 m		U-faceplate 24 x 6 x 2 x 1750 mm	
			DIN LH	DIN RH	DIN LH	DIN RH
Matt stainless steel	45/44	Square	6-37241-09-L-8	6-37241-09-R-8	6-37241-12-L-8	6-37241-12-R-8

Including B 5490 0300 connecting cable

Accessories to be ordered separately

Description	Order number	See page
A-opener kit (including 6 m connecting cable)	K-18153-01-0-0	453

Additional options (available on request)

Faceplate		Follower	Backset, mm	Special versions	Suitable shoot-bolt lock
Material/Finish	Width				
-	-	-	-	-	B-1990

SECURY 1966

with key-controlled latch holdback for 1-leaf doors



Functional description

Panic function E

Operation from inside

Passage from inside to outside, the latchbolts are retracted by operating the handle. Locking (from the inside or outside) using the key is not required.

Operation from outside

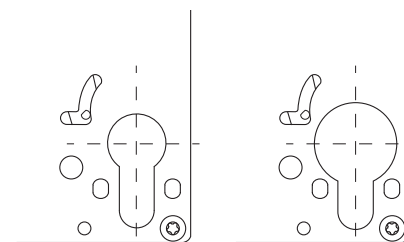
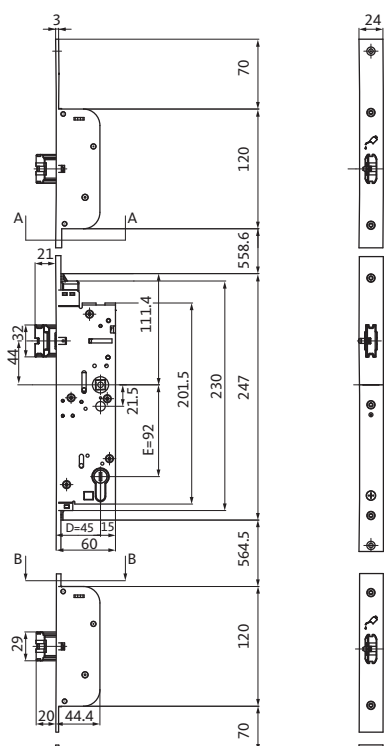
Only a fixed knob or a push/pull handle are permitted as hardware. The latchbolts can only be retracted by key (via the latch lever). The latchbolts are withdrawn.

For a detailed functional description see page 43

Key-controlled latch holdback

The latchbolts are retracted by holding one of the handles down, and must be locked in this position using the key. The latchbolts are enabled once again when the door is opened using the key.

Without fire protection approval



Detail: version with PC-hole

Detail: version with Swiss RC-hole



SECURY 1966 for 1-leaf doors

Faceplate Material/Finish	Backset, mm	Faceplate Shape	Faceplate 24 x 3 x 1750 m		U-faceplate 24 x 6 x 2 x 1750 mm	
			DIN LH	DIN RH	DIN LH	DIN RH
Matt stainless steel	35/34	Square	-	-	6-38615-02-L-8	6-38615-02-R-8
	40/39	Square	-	-	6-38615-03-L-8	6-38615-03-R-8
	45/44	Square	6-38615-01-L-8	6-38615-01-R-8	6-38615-04-L-8	6-38615-04-R-8

SECURY 1966 with Swiss RC-hole for 1-leaf doors

Faceplate Material/Finish	Backset, mm	Faceplate Shape	Faceplate 24 x 3 x 1750 m		U-faceplate 24 x 6 x 2 x 1750 mm	
			DIN LH	DIN RH	DIN LH	DIN RH
Matt stainless steel	35/34	Square	6-38615-10-L-8	6-38615-10-R-8	6-38615-12-L-8	6-38615-12-R-8
	45/44	Square	6-38615-11-L-8	6-38615-11-R-8	6-38615-13-L-8	6-38615-13-R-8

Accessories to be ordered separately

Description	Order number	See page
A-opener kit (including 6 m connecting cable)	K-18153-01-0-0	453

Additional options (available on request)

Faceplate		Follower	Backset, mm	Special versions	Suitable strikers
Material/Finish	Width				
-	-	-	-	-	9-43501 6-36048 6-33616 6-33617 B 9000 0911 B 9000 0912

SECURY 1967

with key-controlled latch holdback for 2-leaf doors



Functional description

Panic function E

Operation from inside

Passage from inside to outside, the latchbolts are retracted by operating the handle. Locking (from the inside or outside) using the key is not required.

Operation from outside

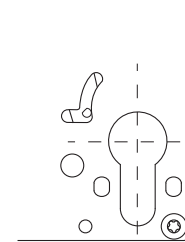
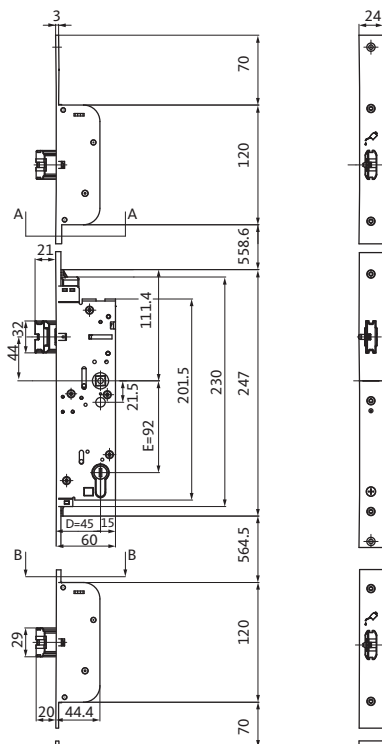
Only a fixed knob or a push/pull handle are permitted as hardware. The latchbolts can only be retracted by key (via the latch lever). The latchbolts are withdrawn.

For a detailed functional description see page 43

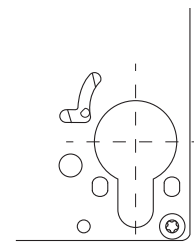
Key-controlled latch holdback

The latchbolts are retracted by holding one of the handles down, and must be locked in this position using the key. The latchbolts are enabled once again when the door is opened using the key.

Without fire protection approval



Detail: version with PC-hole



Detail: version with Swiss RC-hole



SECURY 1967 for 2-leaf doors

Faceplate Material/Finish	Backset, mm	Faceplate Shape	Faceplate 24 x 3 x 1750 m		U-faceplate 24 x 6 x 2 x 1750 mm	
			DIN LH	DIN RH	DIN LH	DIN RH
Matt stainless steel	35/34	Square	-	-	6-38615-06-L-8	6-38615-06-R-8
	40/39	Square	6-38615-09-L-8	6-38615-09-R-8	6-38615-07-L-8	6-38615-07-R-8
	45/44	Square	6-38615-05-L-8	6-38615-05-R-8	6-38615-08-L-8	6-38615-08-R-8

SECURY 1967 with Swiss RC-hole for 2-leaf doors

Faceplate Material/Finish	Backset, mm	Faceplate Shape	Faceplate 24 x 3 x 1750 m		U-faceplate 24 x 6 x 2 x 1750 mm	
			DIN LH	DIN RH	DIN LH	DIN RH
Matt stainless steel	35/34	Square	6-38615-14-L-8	6-38615-14-R-8	6-38615-16-L-8	6-38615-16-R-8
	45/44	Square	6-38615-15-L-8	6-38615-15-R-8	6-38615-17-L-8	6-38615-17-R-8

Accessories to be ordered separately

Description	Order number	See page
A-opener kit (including 6 m connecting cable)	K-18153-01-0-0	453

Additional options (available on request)

Faceplate		Follower	Backset, mm	Special versions	Suitable shoot-bolt lock
Material/Finish	Width				
-	-	-	-	-	B-1990

SECURY 1970 EK

for 1-leaf doors (fail-secure)



Functional description

Self-locking panic lock for single-leaf doors with electrically coupled exterior lever handle and mechanical panic function on the inside lever handle. The door can always be opened towards the outside. The door is automatically locked when pulled shut. The latch acts as a second deadbolt. The lock is actuated by the trigger lever which is integrated into the latchbolt. This ensures that the lock is not locked until the door leaf is in its final closed position. This avoids malfunctions. The exterior lever handle is coupled when energised, i.e. access can be controlled electrically. Activation is possible by means of door opener button, intercom or similar, time switches, or access control system. At the same time, latchbolt and cylinder cam are queried via electrical contacts.

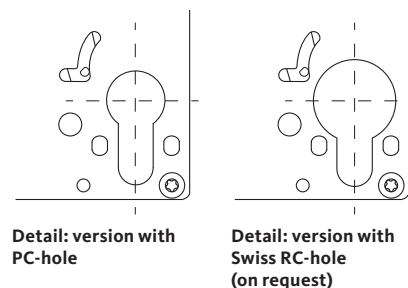
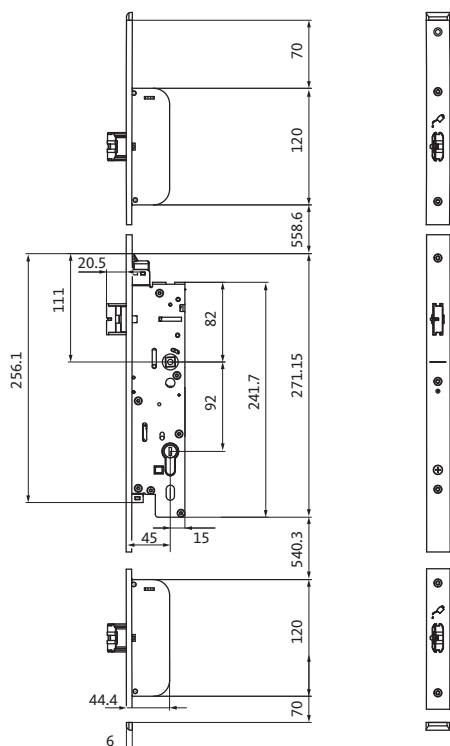
Panic function C

The exterior lever handle can only be activated by operating the locking cylinder. The lever handle is always set to idle when the key is removed. The door can be opened in the escape direction at any time.

For a detailed functional description see page 41

Fail-secure

Exterior lever handle decoupled without current



SECURY 1970 electrically coupled panic lock for 1-leaf doors

Faceplate Material/Finish	Backset, mm	Faceplate Shape	Faceplate 24 x 3 x 1750 m		U-faceplate 24 x 6 x 2 x 1750 mm	
			DIN LH	DIN RH	DIN LH	DIN RH
Matt stainless steel	35/34	Square	6-37243-01-L-8	6-37243-01-R-8	6-37243-02-L-8	6-37243-02-R-8

Including B 5490 0300 connecting cable

SECURY 1970 electrically coupled panic lock for 1-leaf doors – inward-opening

Faceplate Material/Finish	Backset, mm	Faceplate Shape	Faceplate 24 x 3 x 1750 m		U-faceplate 24 x 6 x 2 x 1750 mm	
			DIN LH	DIN RH	DIN LH	DIN RH
Matt stainless steel	35/34	Square	-	-	6-37994-04-L-8	6-37994-04-R-8
	45/44		6-37994-03-L-8	6-37994-03-R-8	-	-

Including B 5490 0300 connecting cable

Additional options (available on request)

Faceplate		Follower	Backset, mm	Special versions	Suitable strikers
Material/Finish	Width				
-	-	-	-	Swiss round cylinder	9-43501 6-36048 6-33616 6-33617 B 9000 0911 B 9000 0912

SECURY 1971 EK

for 2-leaf doors (fail-secure)



Functional description

Self-locking panic lock for two-leaf doors with electrically coupled exterior lever handle and mechanical panic function on the interior lever handle. The door can always be opened towards the outside. The door is automatically locked when pulled shut. In this case the latch acts as a second deadbolt. The lock is actuated by the trigger lever which is integrated into the latchbolt. This ensures that the lock is not locked until the door leaf is in its final closed position. This avoids malfunctions. The exterior lever handle is coupled when energised, i.e. access can be controlled electrically. Activation is possible by means of the door opener button, intercom or similar, time switches, or access control system. At the same time, the cylinder cam and follower are queried via integrated electrical contacts.

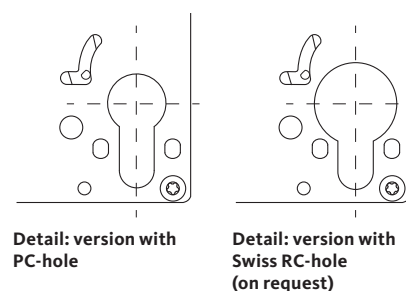
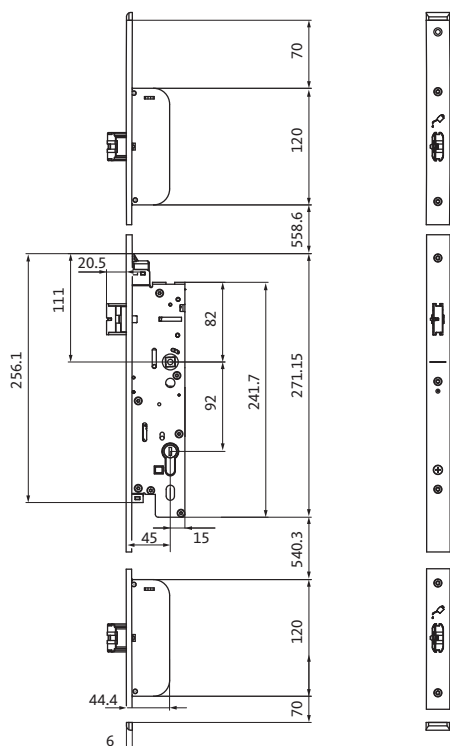
Panic function C

The exterior lever handle can only be activated by operating the locking cylinder. The lever handle is always set to idle when the key is removed. The door can be opened in the escape direction at any time.

For a detailed functional description see page 41

Fail-secure

Exterior lever handle decoupled without current



SECURY 1971 electrically coupled panic lock for 2-leaf doors

Faceplate Material/Finish	Backset, mm	Faceplate Shape	Faceplate 24 x 3 x 1750 m		U-faceplate 24 x 6 x 2 x 1750 mm	
			DIN LH	DIN RH	DIN LH	DIN RH
Matt stainless steel	45/44	Square	-	-	6-37240-12-L-8	6-37240-12-R-8

Including B 5490 0300 connecting cable

Additional options (available on request)

Faceplate		Follower	Backset, mm	Special versions	Suitable strikers
Material/Finish	Width				
-	-	-	-	Swiss round cylinder	9-43501 6-36048 6-33616 6-33617 B 9000 0911 B 9000 0912

SECURY 1916 EVP/SECURY 1916 S EVP

EVP for 1-leaf narrow stile doors



Functional description

The combination of self-locking panic lock and electric escape door locking provides a compact solution which significantly reduces the planning and production time for architects and door fabricators. The combination of these two products, which is unique in the market, unites various benefits in one system. The cables are installed exclusively in the door frame. The electrical locking point has been ideally integrated below the panic lock. The automatic latchbolt ensures that the door is securely locked even in the event of a power failure and dispenses with the need to lock the door manually! When the escape door locking is enabled, the building can be exited at any time by operating the lever handle or push bar.

Panic function E

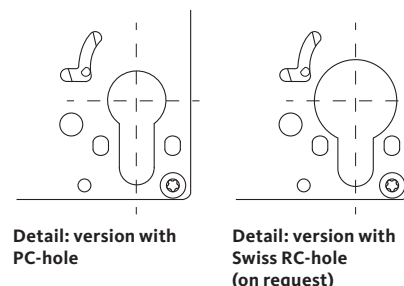
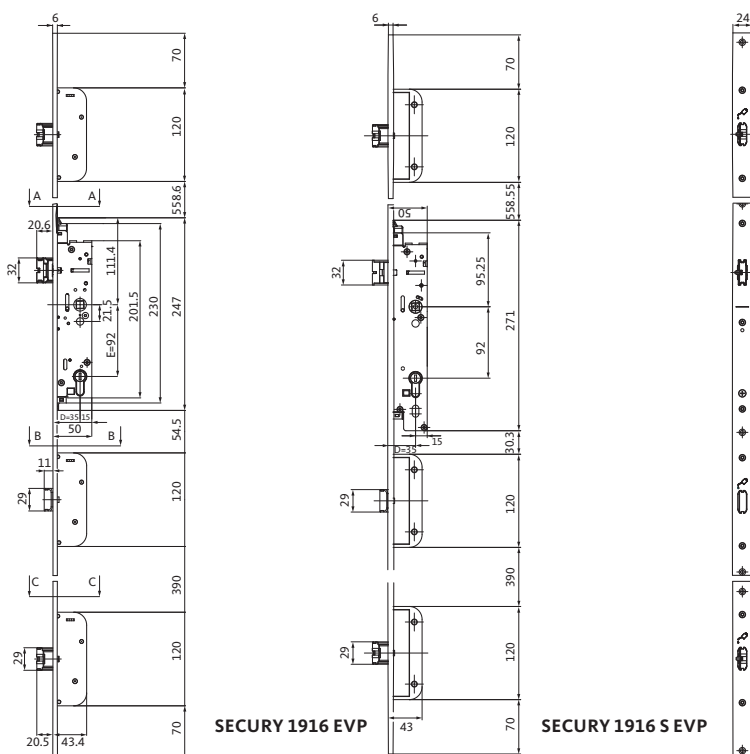
Operation from inside

Passage from inside to outside: the lever handle on the inside operates the latchbolt. Locking (from the inside or outside) using the key is not required.

Operation from outside

Only a fixed knob or a push/pull handle are permitted as hardware. Latchbolt is only operated by the key (via the latch lever). All latchbolts are withdrawn.

For a detailed functional description see page 43



B 1916 EVP for 1-leaf doors

Faceplate Material/Finish	Backset, mm	Faceplate Shape	Faceplate 24 x 3 x 1750 m		U-faceplate 24 x 6 x 2 x 1750 mm	
			DIN LH	DIN RH	DIN LH	DIN RH
Matt stainless steel	35	Square	6-37238-01-L-8	6-37238-01-R-8	6-37238-04-L-8	6-37238-04-R-8
	45	Square	6-37238-03-L-8	6-37238-03-R-8	6-37238-06-L-8	6-37238-06-R-8

Including B 5490 0300 connecting cable

B 1916 S EVP with monitoring contacts for 1-leaf doors

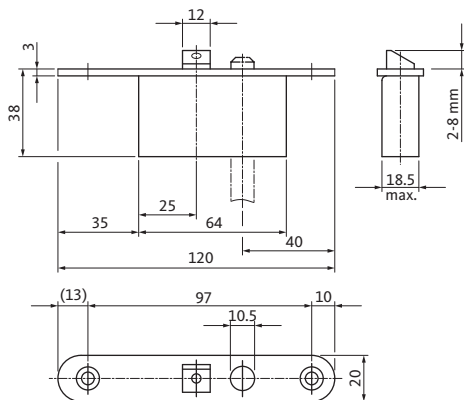
Faceplate Material/Finish	Backset, mm	Faceplate Shape	Faceplate 24 x 3 x 1750 m		U-faceplate 24 x 6 x 2 x 1750 mm	
			DIN LH	DIN RH	DIN LH	DIN RH
Matt stainless steel	35	Square	6-37926-01-L-8	6-37926-01-R-8	6-37926-04-L-8	6-37926-04-R-8
	45	Square	6-37926-03-L-8	6-37926-03-R-8	6-37926-06-L-8	6-37926-06-R-8

Including B 5490 0300 connecting cable

Additional options (available on request)

Faceplate		Follower	Backset, mm	Special versions	Suitable strikers
Material/Finish	Width				
-	-	-	-	Swiss RC-hole	9-49431

B 1595 passive-leaf control lock

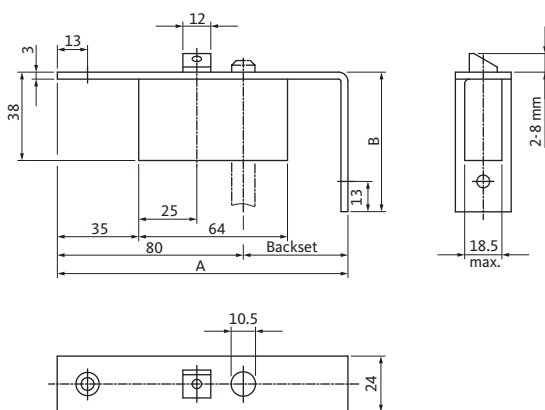


B 1595 passive-leaf control lock

Faceplate shape: round/straight

B 1595 passive-leaf control lock		
Faceplate material/finish	Faceplate shape	
Matt stainless steel	Round/straight	
Backset, mm	Rebated doors 20 mm faceplate Non-handed	Flush doors 24 mm faceplate Non-handed
	80 + 100	B 1595 0185

Suitable striker	B 9000 0490
-------------------------	-------------

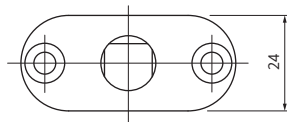
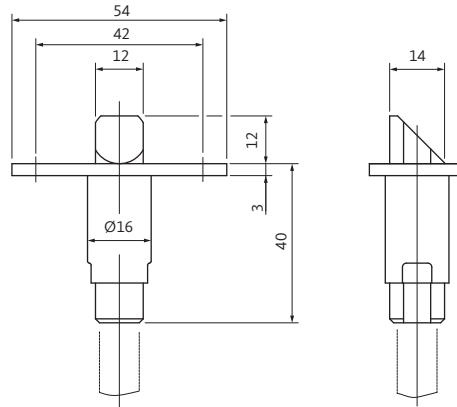


B 1595 passive-leaf control lock

Faceplate shape: round/angled

B 1595 passive-leaf control lock	
Faceplate material/finish	Faceplate shape
Matt stainless steel	Square/angled
Backset, mm	Faceplate 24 x 3 mm Non-handed
25	B 1595 0101
30	B 1595 0103
35	B 1595 0105
40	B 1595 0107
45	B 1595 0109

Suitable striker	B 9000 0490
-------------------------	-------------



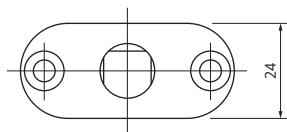
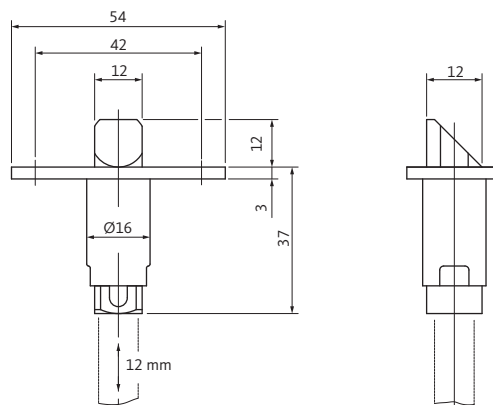
B 1795 spring-operated top latch
Additional top-locking into the door frame of the active leaf.

B 1795 spring-operated top latch

Faceplate material/finish	
Galvanised steel	
Faceplate dimension	Non-handed
54 x 24 mm	B 1795 0001
54 x 20 mm	B 1795 0002
Suitable striker	B 9000 0567

B 1795 spring-operated top latch for use with electric strike

Faceplate material/finish	
Galvanised steel	
Faceplate dimension	Non-handed
54 x 24 mm	B 1795 0005
54 x 20 mm	B 1795 0007
Usable with GU-BKS electric strike ET 8	
Suitable strikers	9-49431-03-0-8 and 9-49431-04-0-8

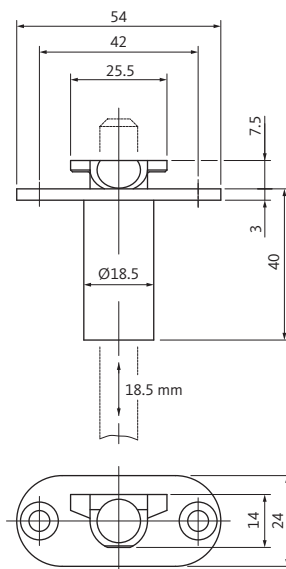


B 1796 spring-operated top latch
For locking the passive leaf only in the upper frame when used in combination with electric strikes with automatic door drive (double-leaf automatic swing doors)

B 1796 spring-operated top latch

Faceplate material/finish	
Galvanised steel	
Faceplate dimension	Non-handed
54 x 20 mm	B 1796 0013
54 x 24 mm	B 1796 0012
Usable with GU-BKS electric strike ET 8	
Suitable strikers	9-49431-03-0-8 and 9-49431-04-0-8

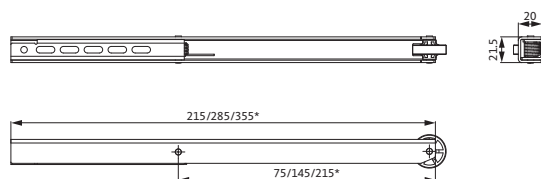
B 1895 passive-leaf control lock/8642 carrier bar MNK



B 1895 passive-leaf control lock

The passive-leaf control lock is mounted in the upper area of the passive leaf. When the opening movement of the hardware on the passive leaf is completed, the vertical rod is automatically locked in place within the passive-leaf control lock.

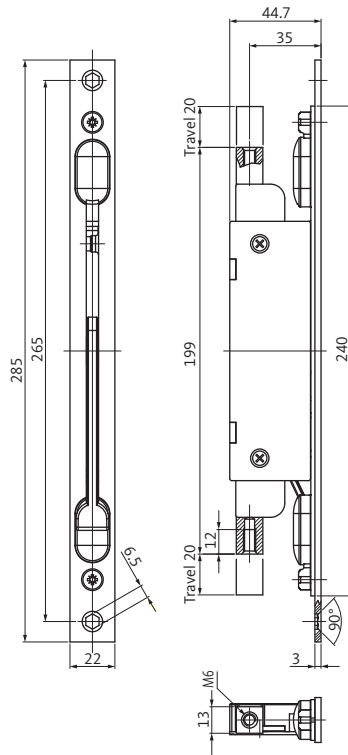
B 1895 passive-leaf control lock		
Faceplate material/finish	Faceplate shape	
Galvanised steel	Round	
Backset, mm	Angled faceplate 20 x 52 x 60 mm	
	DIN LH	DIN RH
25	B 1895 0007	B 1895 0006
Backset, mm	Angled faceplate 24 x 52 x 60 mm	
	DIN LH	DIN RH
25	B 1895 0009	B 1895 0008
Backset, mm	Faceplate width 20 mm Non-handed	Faceplate width 24 mm Non-handed
	30-45 + 65	B 1895 0002
Suitable strikers	B 9000 0489 – square	
	B 9000 0490 – round	
Packer plate 3 mm	B 9068 0001	



8642 carrier bar MNK

If, in a panic situation, the door is opened by the passive leaf, the carrier bar ensures that the active leaf is carried at least as far as the start of the action range of the door-leaf coordinator (SRI).

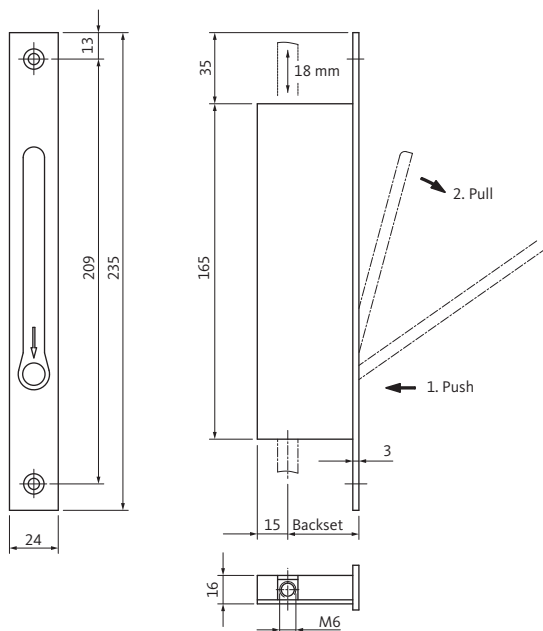
8642 carrier bar MNK		
Size	Material/Finish	Order number
		Overlap height 0-17
01 Length = 215 mm	Silver	K-17897-01-0-1
	Black	K-17897-01-0-6
	White (RAL 9016)	K-17897-01-0-7
02 Length = 285 mm	Silver	K-17897-02-0-1
	Black	K-17897-02-0-6
	White (RAL 9016)	K-17897-02-0-7
03 Length = 355 mm	Silver	K-17897-03-0-1
	Black	K-17897-03-0-6
	White (RAL 9016)	K-17897-03-0-7



B-1898 shoot-bolt

B-1898 shoot-bolt	
Faceplate material/finish	Faceplate shape
Galvanised	Square
Backset, mm	Faceplate 22 x 3 x 285 mm Non-handed
20	B-18980-00-0-3
35	B-18980-01-0-3

B 1899 lever-operated shoot-bolt lock/B 1798 remote lock

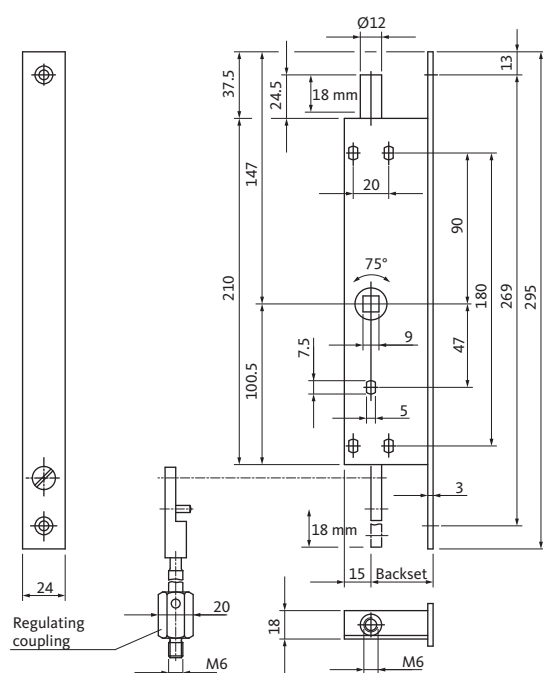


B 1899 lever-operated shoot-bolt lock

When the passive leaf is closed, automatic locking of the spring-loaded vertical rods at the top and bottom is triggered by passive-leaf control lock B 1895.

B 1899 lever-operated shoot-bolt lock

Faceplate material/finish	Faceplate shape
Matt stainless steel	Square
Backset, mm	Faceplate 24 x 3 x 235 mm Non-handed
25	B 1899 0201
30	B 1899 0202
35	B 1899 0203
40	B 1899 0204
45	B 1899 0205
50	B 1899 0206
54	B 1899 0207
60	B 1899 0208
65	B 1899 0209
70	B 1899 0210



B 1798 remote lock

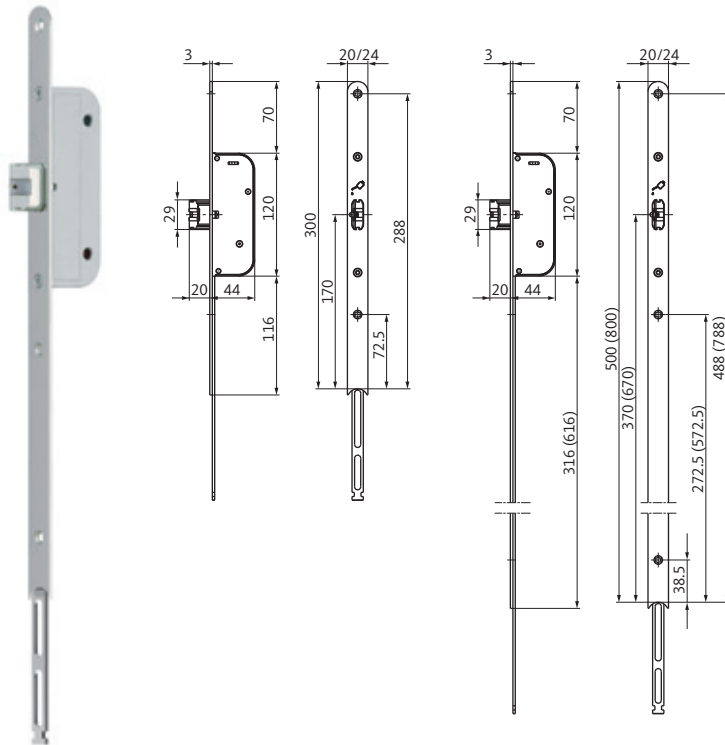
The remote lock (installed approx. 1,500 mm above finished floor level) converts the rotational movement of the vertical lever into the thrust movement of the vertical rods.

B 1798 remote lock

Faceplate material/finish	Faceplate shape
Matt stainless steel	Square
Backset, mm	Faceplate 24 x 3 x 295 mm Non-handed
30	B 1798 0101
35	B 1798 0102
40	B 1798 0103
45	B 1798 0104
50	B 1798 0105
55	B 1798 0106
60	B 1798 0107
65	B 1798 0108
70	B 1798 0109

Suitable for locks:

B-1890, B-1990, B 1793



SECURY 19 faceplate extension for SECURY series 19 with faceplate 1750 mm, non-handed

SECURY 19 faceplate extension

Faceplate length, mm	Faceplate 24 x 3 mm	U-faceplate 24 x 6 x 2 mm
300	6-39410-13-0-8	6-39410-15-0-8
500	6-39411-13-0-8	6-39411-15-0-8
800	6-39412-13-0-8	6-39412-15-0-8

SECURY 19 top extension piece

Faceplate length, mm	Faceplate 24 x 3 mm	U-faceplate 24 x 6 mm
405	9-48687-13-0-8	9-48687-15-0-8

SECURY 19 bottom extension piece

Faceplate length, mm	Faceplate 24 x 3 mm	U-faceplate 24 x 6 mm
130	9-48686-13-0-8	9-48686-15-0-8



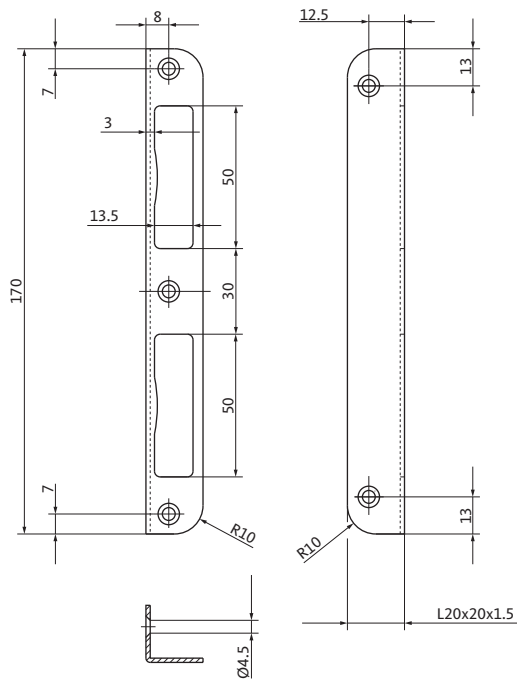
Torque screwdriver with T-handle and non-slip finish

Torque screwdriver

Order number
B-90010-02-0-0

Suitable for switchable panic side with lock series 18, 19, 21, and 23

S401 angled striker/S491 striker



S401 angled striker

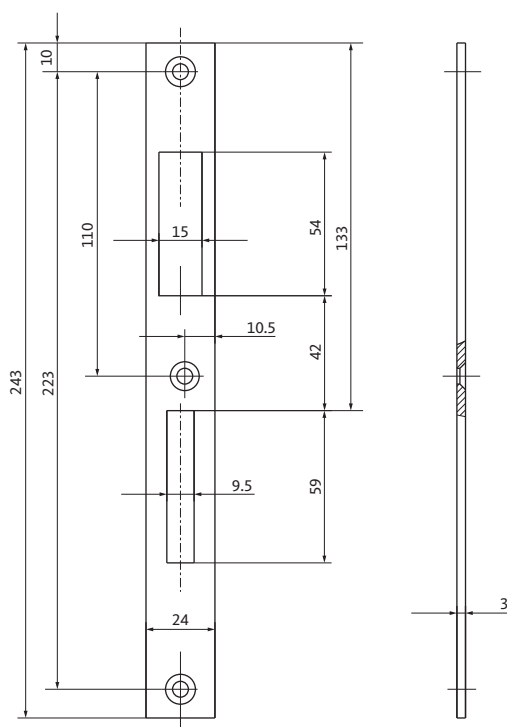
suitable for light-duty applications, non-handed

Angled striker

Material/Finish	Shape	Order number
Steel, nickel silver	Round	S4010088
Stainless steel		S4010012

Suitable for BKS locks:

- 0007



S491 striker

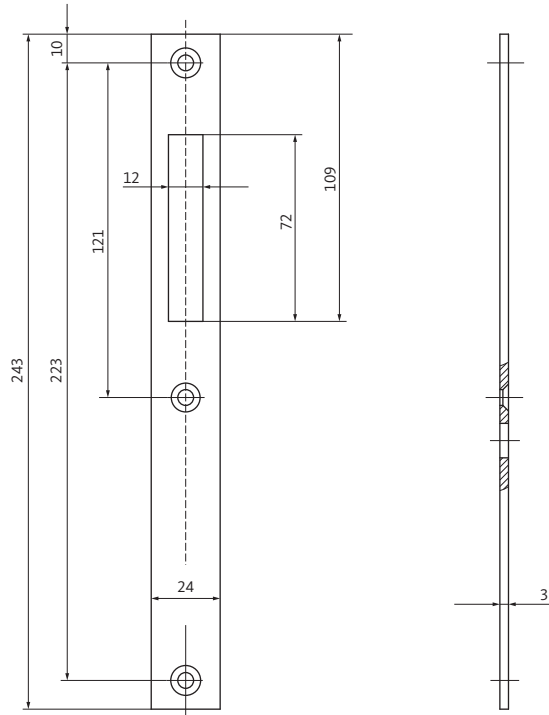
suitable for normal-duty applications, non-handed

Flat striker

Material/Finish	Shape	Order number
Steel, nickel silver	Square	S4910023
Stainless steel		S4910025

Suitable for BKS locks:

- 1205
- 1205H



S491 striker

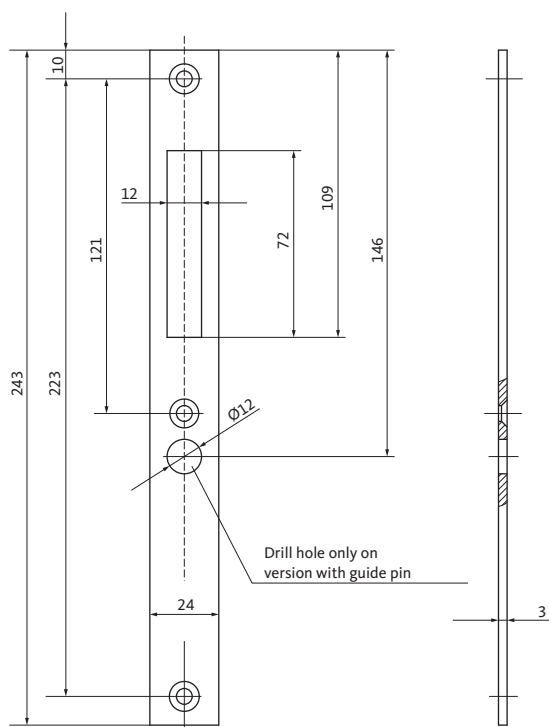
suitable for normal-duty applications, non-handed

Flat striker

Material/Finish	Shape	Order number
Steel, nickel silver	Square	S4910029
Stainless steel		S4910030

Suitable for BKS locks:

- 1205SRH



S491 striker

suitable for normal-duty applications, non-handed

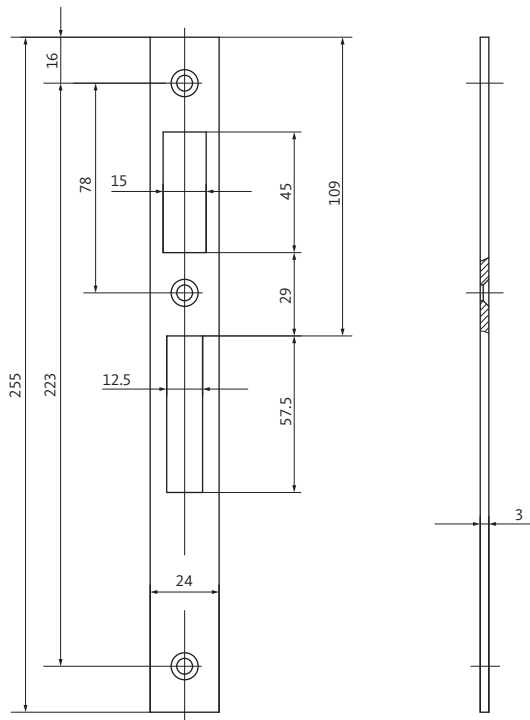
Flat striker

Material/Finish	Shape	Order number
Steel, nickel silver	Square	S4910068
Stainless steel		S4910053

Suitable for BKS locks:

- 1205SRHF

S491 striker



S491 striker

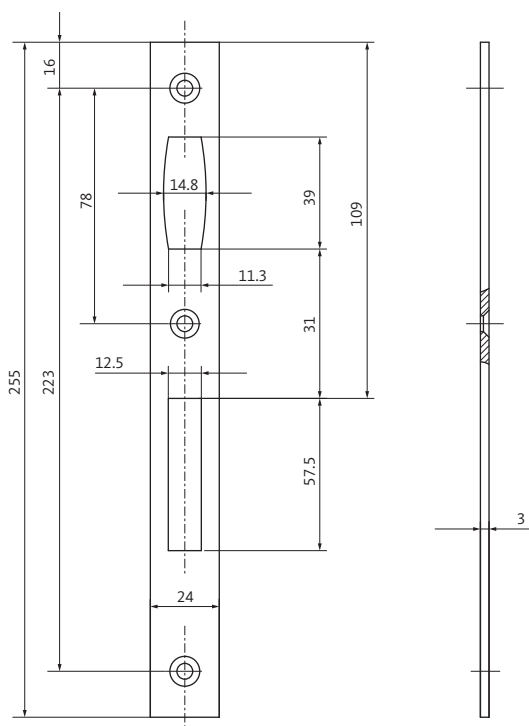
suitable for medium-duty applications, non-handed

Flat striker

Material/Finish	Shape	Order number
Nickel-plated matt brass	Square	S4910046
Yellow chromated		S4910047

Suitable for BKS locks:

- 1425



S491 striker

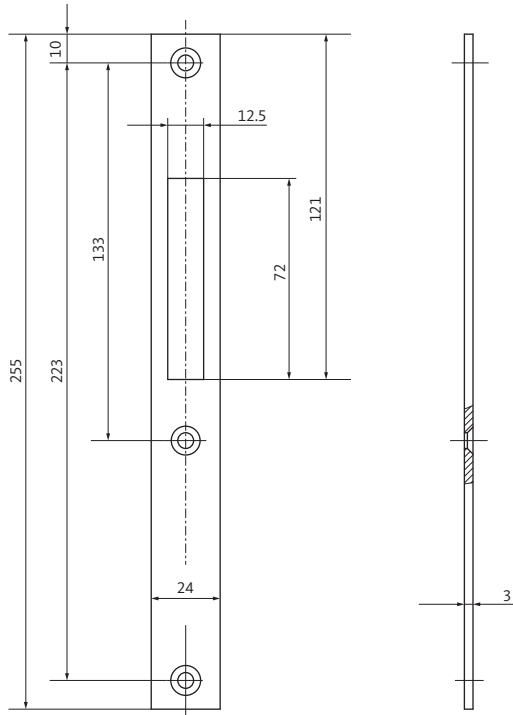
suitable for medium-duty applications, non-handed

Flat striker

Material/Finish	Shape	Order number
Nickel-plated matt brass	Square	S4910075
Yellow chromated		S4910059

Suitable for BKS locks:

- 1426



S491 striker

suitable for medium-duty applications, non-handed

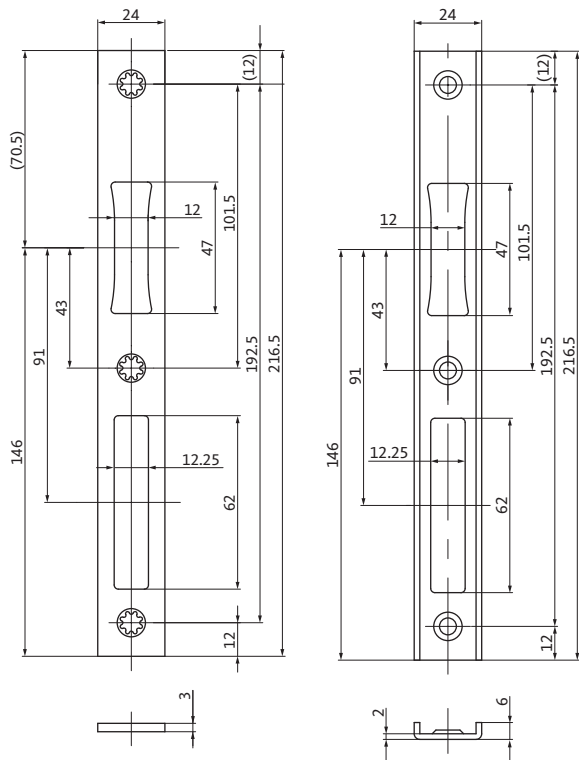
Flat striker

Material/Finish	Shape	Order number
Steel, nickel silver	Square	S4910037
Stainless steel		S4910038

Suitable for BKS locks:

- 1427

B-9000 flat striker



B-9000 flat striker

suitable for normal-duty applications, non-handed

Flat striker

Material/Finish	Shape	Order number
Matt stainless steel	Square	B-90000-04-0-8
	Round	B-90000-05-0-8

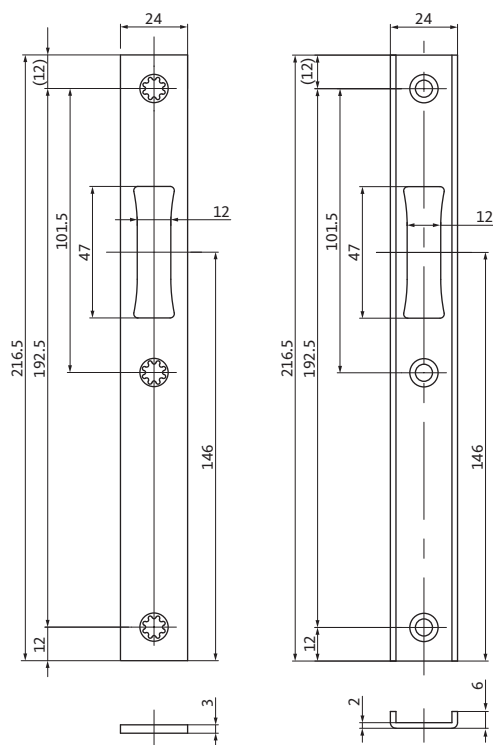
B-9000 U-striker

non-handed

U-striker

Material/Finish	Order number
Matt stainless steel	B-90000-26-0-8

Suitable for all BKS locks



B-9000 flat striker

suitable for normal-duty applications, non-handed

Flat striker

Material/Finish	Shape	Order number
Matt stainless steel	Square	B-90000-00-0-8
	Round	B-90000-01-0-8

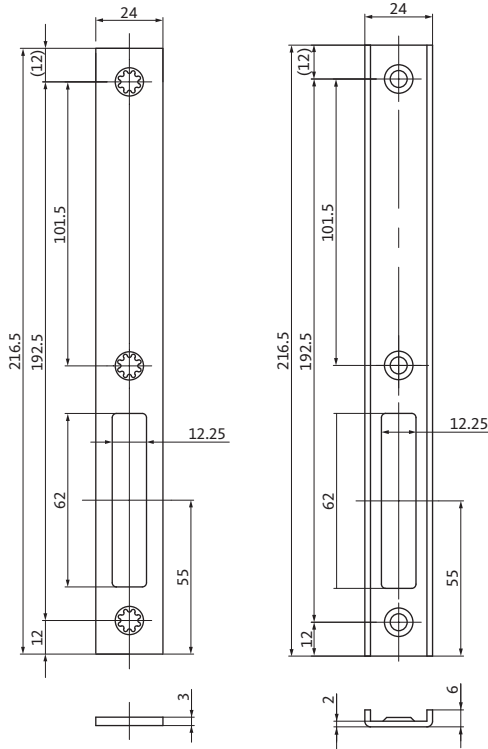
B-9000 U-striker

non-handed

U-striker

Material/Finish	Order number
Matt stainless steel	B-90000-24-0-8

Suitable for all BKS locks



B-9000 flat striker

suitable for normal-duty applications, non-handed

Flat striker

Material/Finish	Shape	Order number
Matt stainless steel	Square	B-90000-02-0-8
	Round	B-90000-03-0-8

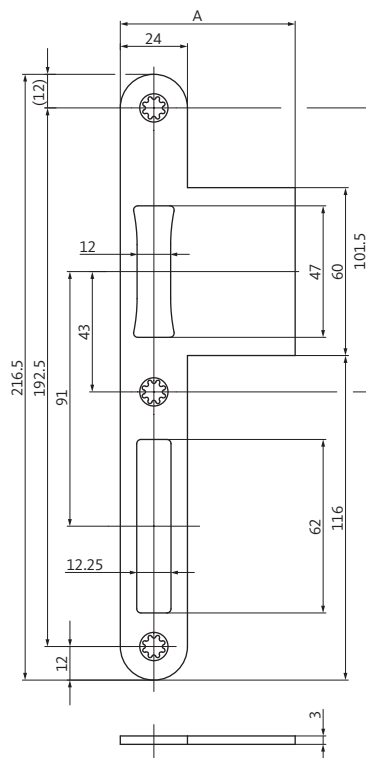
B-9000 U-striker

non-handed

U-striker

Material/Finish	Order number
Matt stainless steel	B-90000-25-0-8

Suitable for all BKS locks



B-9000 lipped striker

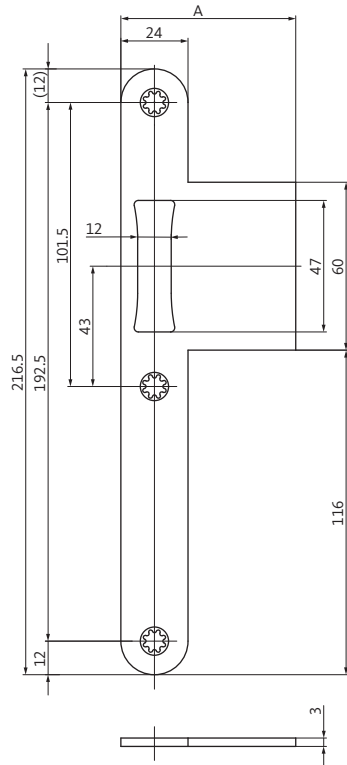
suitable for normal-duty applications

Lipped striker

Material/Finish	Dim. A = 62.5 mm		
	Stainless steel matt	Square	DIN LH
Square		DIN RH	B-90000-58-R-8
Round		DIN LH	B-90000-61-L-8
Round		DIN RH	B-90000-61-R-8
Material/Finish	Dim. A = 36 mm		
	Stainless steel matt	Square	DIN LH
Square		DIN RH	B-90000-57-R-8
Round		DIN LH	B-90000-60-L-8
Round		DIN RH	B-90000-60-R-8
Material/Finish	Dim. A = 28 mm		
	Stainless steel matt	Square	DIN LH
Square		DIN RH	B-90000-56-R-8
Round		DIN LH	B-90000-59-L-8
Round		DIN RH	B-90000-59-R-8

Suitable for all BKS locks

B-9000 lipped striker/6-37368 flat striker



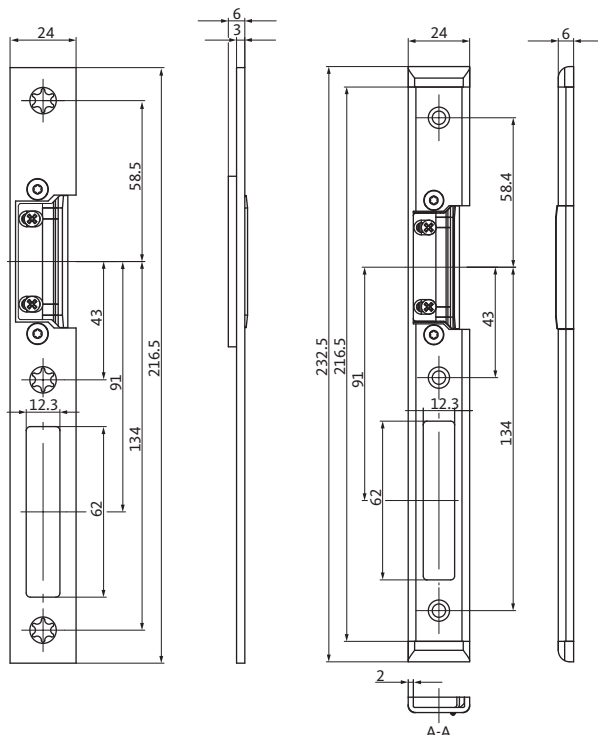
B-9000 lipped striker

suitable for normal-duty applications

Lipped striker

Material/Finish	Dim. A = 62.5 mm		
Stainless steel matt	Square	DIN LH	B-90000-52-L-8
	Square	DIN RH	B-90000-52-R-8
	Round	DIN LH	B-90000-55-L-8
	Round	DIN RH	B-90000-55-R-8
Material/Finish	Dim. A = 36 mm		
Stainless steel matt	Square	DIN LH	B-90000-51-L-8
	Square	DIN RH	B-90000-51-R-8
	Round	DIN LH	B-90000-54-L-8
	Round	DIN RH	B-90000-54-R-8
Material/Finish	Dim. A = 28 mm		
Stainless steel matt	Square	DIN LH	B-90000-50-L-8
	Square	DIN RH	B-90000-50-R-8
	Round	DIN LH	B-90000-53-L-8
	Round	DIN RH	B-90000-53-R-8

Suitable for all BKS locks



6-37368 flat striker

prepared for electric strike

suitable for normal-duty applications

Flat striker

Material/Finish	Shape	Order number	
Matt stainless steel	Square	DIN LH	6-37368-01-L-8
		DIN RH	6-37368-01-R-8

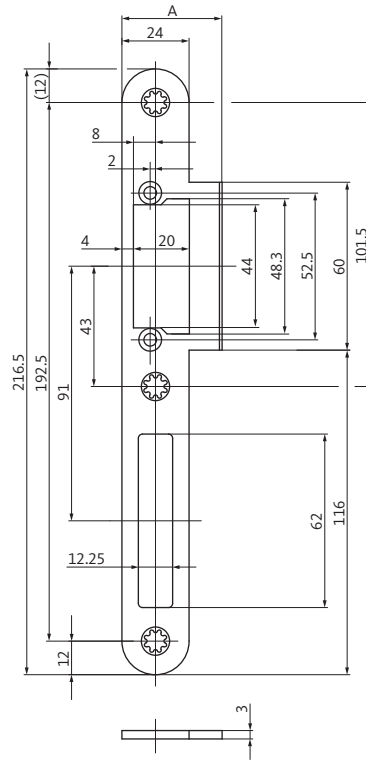
6-37367 U-striker

prepared for electric strike

U-striker

Material/Finish	Order number	
Matt stainless steel	DIN LH	6-37367-01-L-8
	DIN RH	6-37367-01-R-8

Suitable for all BKS locks of series 13, 18, 23



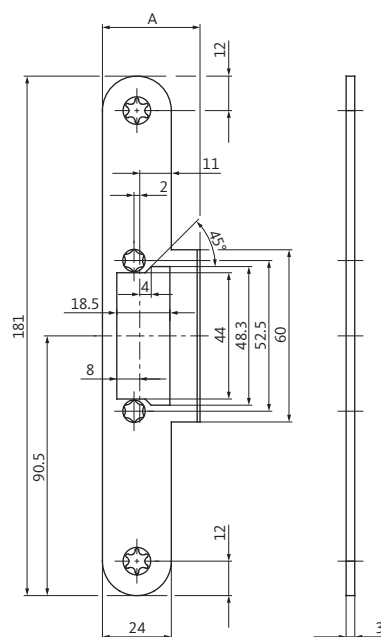
B-9000 lipped striker
for GU-BKS electric strike ET 8,
suitable for normal-duty stress

Lipped striker

Material/Finish	Dim. A = 62.5 mm		
Stainless steel matt	Square	DIN LH	B-90000-64-L-8
	Square	DIN RH	B-90000-64-R-8
	Round	DIN LH	B-90000-67-L-8
	Round	DIN RH	B-90000-67-R-8
Material/Finish	Dim. A = 36 mm		
Stainless steel matt	Square	DIN LH	B-90000-63-L-8
	Square	DIN RH	B-90000-63-R-8
	Round	DIN LH	B-90000-66-L-8
	Round	DIN RH	B-90000-66-R-8
Material/Finish	Dim. A = 28 mm		
Stainless steel matt	Square	DIN LH	B-90000-62-L-8
	Square	DIN RH	B-90000-62-R-8
	Round	DIN LH	B-90000-65-L-8
	Round	DIN RH	B-90000-65-R-8

Suitable for:

- BKS locks of series 13, 18, 23



9-49431 lipped striker
for B 5465 0402 ProFix 2 electric escape door
strike, non-handed

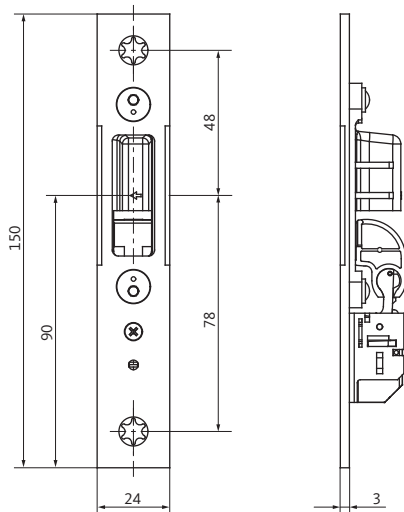
Lipped striker

Material/Finish	Dim. A = 34 mm	
Stainless steel matt	Round	9-49431-01-0-8
	Square	9-49431-03-0-8
	Dim. A = 62.5 mm	
	Round	9-49431-02-0-8
	Square	9-49431-04-0-8

Suitable for:

- SECURITY 19 EVP

6-38426 deadbolt monitoring contact/B 9000 latch striker



6-38426 monitoring contact

Striker with deadbolt monitoring contact for SECURY 19 additional latchbolt

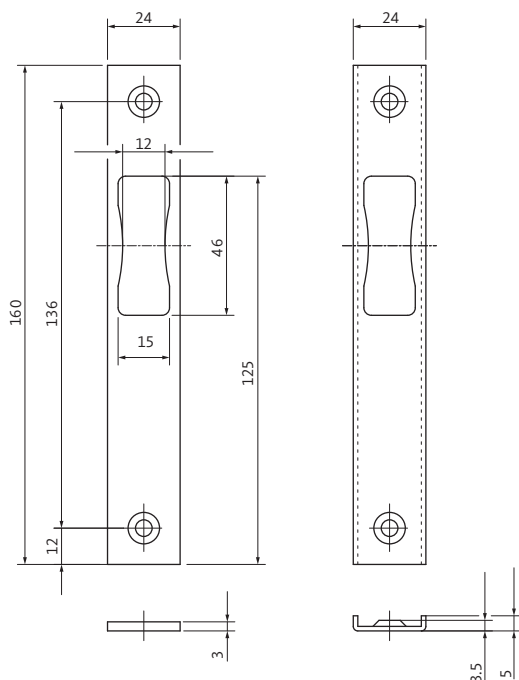
Flat striker 24 x 3 x 150 mm

Material/Finish	Shape	Order number	
		Stainless steel matt	Square
		DIN RH	6-38426-01-R-8

U-striker 24 x 6 x 150 mm

Material/Finish	Shape	Order number	
		Stainless steel matt	Square
		DIN RH	6-38426-02-R-8

Approval: VdS C



B 9000 latch striker

suitable for normal-duty applications, non-handed

Flat striker

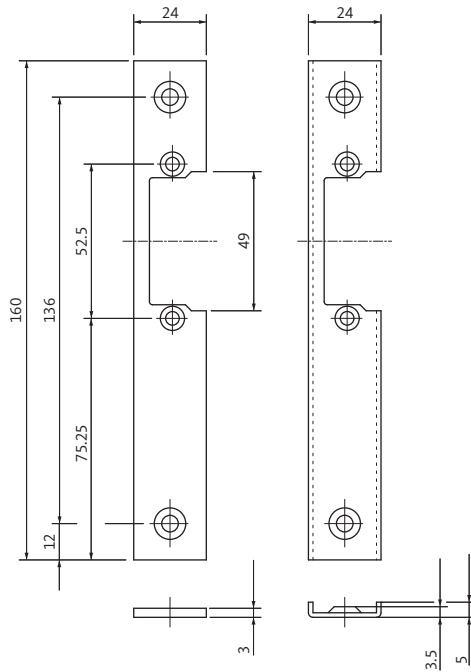
Material/Finish	Shape	Order number
Stainless steel	Square	B 9000 1097
Steel, nickel silver		B 9000 1098

U-striker

Material/Finish	Order number
Stainless steel	B 9000 1224

Suitable for BKS locks:

- 1305
- 1307



B 9000 striker

suitable for normal-duty applications

Flat striker

24 x 3 x 160 mm

Material/Finish	Shape	Order number	
Stainless steel	Square	DIN LH	B 9000 1092
		DIN RH	B 9000 1093

Flat striker

28 x 3 x 160 mm

Material/Finish	Shape	Order number	
Stainless steel	Square	DIN LH	B 9000 1102
		DIN RH	B 9000 1103

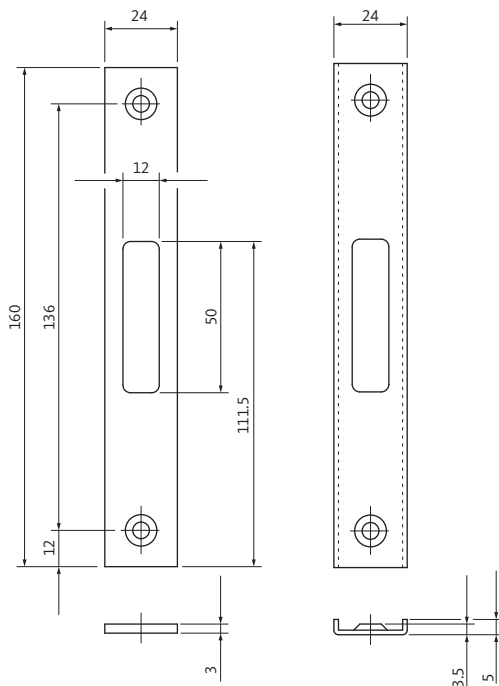
U-striker

24 x 5 x 160 mm

Material/Finish	Order number	
Stainless steel	DIN LH	B 9000 1222
	DIN RH	B 9000 1223

Suitable for:

- Electric strikes



B 9000 deadbolt striker

suitable for normal-duty applications, non-handed

Flat striker

Material/Finish	Shape	Order number
Stainless steel	Square	B 9000 1100
Steel, nickel silver	Square	B 9000 1101

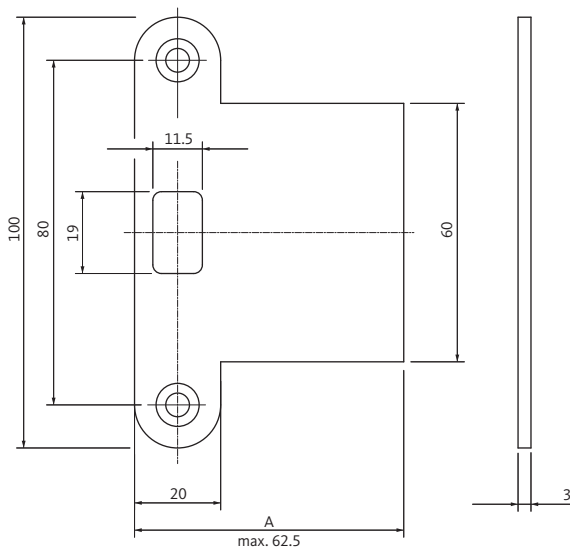
U-striker

Material/Finish	Order number
Stainless steel	B 9000 1226

Suitable for BKS locks:

- 1308

B 9000 lipped striker



B 9000 lipped striker

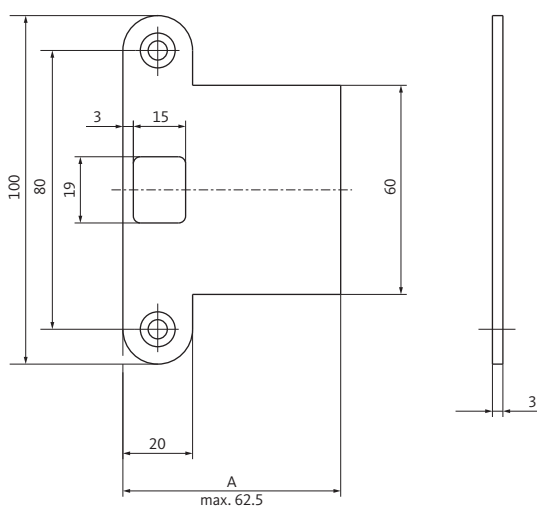
suitable for normal-duty applications, non-handed

Lipped striker

Material/Finish	Dim. A = 62.5 mm	
Stainless steel	Square	B 9000 0489
	Round	B 9000 0490

Suitable for BKS locks:

- 1895



B 9000 lipped striker

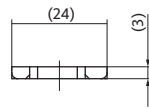
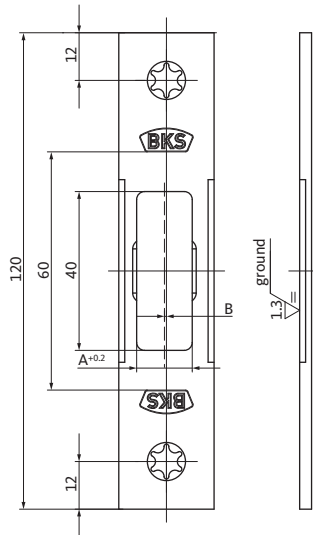
suitable for normal-duty applications, non-handed

Lipped striker

Material/Finish	Dim. A = 62.5 mm	
Stainless steel	Round	B 9000 0567

Suitable for BKS locks:

- 1795
- 1796



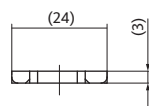
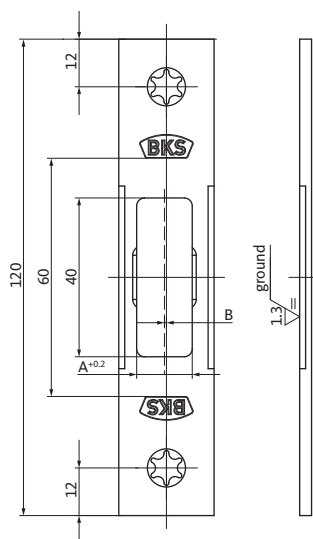
Strikers

for 1-leaf doors with SECURY panic locks;
for normal-duty applications; non-handed;
with U-strikers with decorative end caps

Strikers		
Material/Finish	Central latchbolt Dim. A = 13.5 Dim. B = 0.25	Additional latchbolt Dim. A = 13.5 Dim. B = 0.5
Stainless steel	Striker 24 x 3 mm	
	9-43501-11-0-8	9-43501-02-0-8
	U-striker 24 x 5 mm	
	6-36048-11-0-8	6-36048-02-0-8
	U-striker 24 x 6 mm	
	6-33616-11-0-8	6-33616-02-0-8
U-striker 24 x 8 mm		
6-33617-11-0-8	6-33617-02-0-8	

Suitable for SECURY panic locks:

- 1910, 1912, 1916, 1966, 1970



Strikers

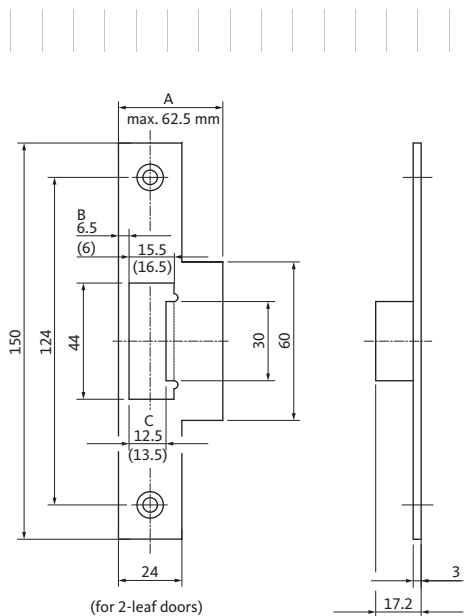
for 2-leaf doors with SECURY panic locks;
for normal-duty applications; non-handed;
with U-strikers with decorative end caps

Strikers		
Material/Finish	Additional latchbolt Dimension A = 13.5 Dimension B = 1.0	
Stainless steel	Striker 24 x 3 mm	
	9-43501-03-0-8	
	U-striker 24 x 5 mm	
	6-36048-03-0-8	
	U-striker 24 x 6 mm	
	6-33616-03-0-8	
U-striker 24 x 8 mm		
6-33617-03-0-8		

Suitable for SECURY panic locks:

- 1911, 1913, 1919, 1967, 1971

B 9000 lipped striker/B 9000 flat striker



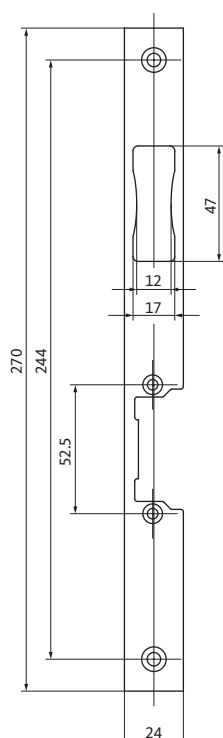
B 9000 lipped striker

for 1- and 2-leaf doors with SECURY panic locks; for normal-duty applications; non-handed

Lipped striker	
Material/Finish	Additional latchbolt – 1-leaf Dim. A = 62.5
	B 9000 0911
Stainless steel	Additional latchbolt – 2-leaf Dim. A = 62.5
	B 9000 0913
	Central latchbolt – 1-leaf Dim. A = 62.5 mm; Dim. B = 5.5 mm; Dim. C = 12 mm
	B 9000 0914

Suitable for SECURY panic locks:

- 1910, 1911, 1912, 1913, 1916, 1919, 1966, 1967, 1970, 1971



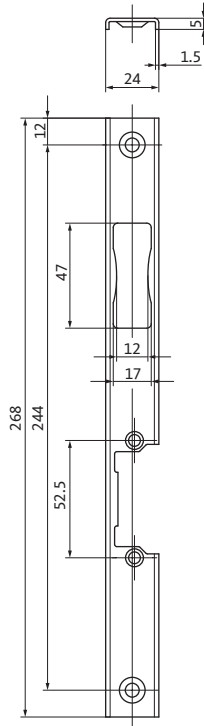
B 9000 flat striker

for B 5465 0400/0402 FaFix and ProFix 2 electric escape door strikes

Flat striker			
24 x 3 x 270 mm			
Material/Finish	Shape	Order number	
Stainless steel	Square	DIN LH	B 9000 0001
		DIN RH	B 9000 0002

Suitable for BKS locks:

- EVP 1920, 1926



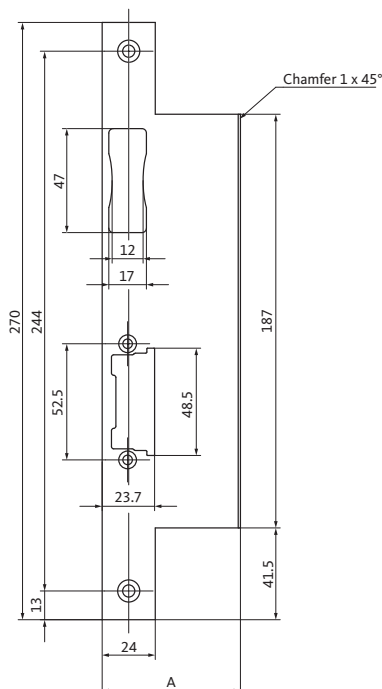
B 9000 U-striker

U-striker

Material/Finish	Order number	
Stainless steel	DIN LH	B 9000 0003
	DIN RH	B 9000 0004

Suitable for BKS locks:

- EVP 1920, 1926



B 9000 lipped striker

for B 5465 0402 ProFix 2 electric escape door strike

Lipped striker

24 x 3 x 270 mm

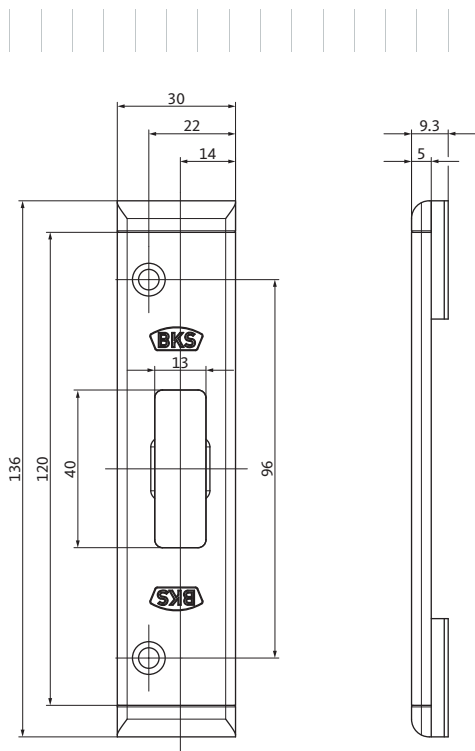
Material/Finish	Shape	Dim. A = 62.5 mm	
Stainless steel	Square	DIN LH	B 9000 0039
		DIN RH	B 9000 0040

Suitable for BKS locks:

- EVP 1920, 1926

Strikers for PVC profiles

For Veka profiles



U-striker

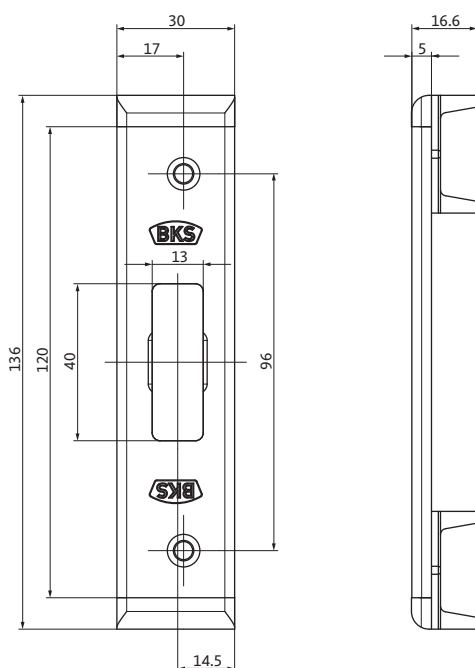
for 1-leaf doors with SECURY panic locks and series 19, for normal-duty applications, with decorative plastic end caps

U-striker

Material/Finish	Central latchbolt	Additional latchbolt
Stainless steel	6-38016-01-0-8	6-38017-01-0-8

Suitable for PVC profiles:

- Veka SL 82
- Veka Topline
- Veka Softline AD70



U-striker

for 2-leaf doors with SECURY panic locks and series 19, for normal-duty applications, with decorative plastic end caps

U-striker

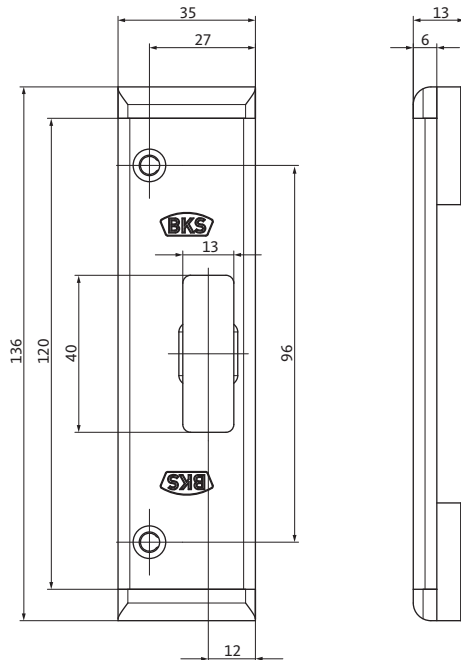
Material/Finish	Central latchbolt	Additional latchbolt
Stainless steel	6-38016-10-0-8	6-38018-10-0-8
	For use with passive-leaf control lock B 1895	
	6-35579-5M-0-1	

Suitable for PVC profiles:

- Veka SL 82
- Veka Topline
- Veka Softline AD70

Strikers for PVC profiles

For Gealan profiles



U-striker

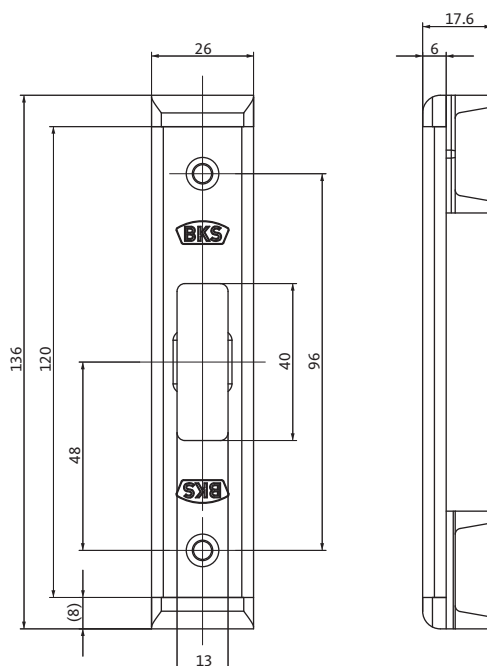
for 1-leaf doors with SECURY panic locks and series 19, for normal-duty applications, with decorative plastic end caps

U-striker

Material/Finish	Central latchbolt	Additional latchbolt
Stainless steel	6-34554-4P-0-8	6-34552-4P-0-8

Suitable for PVC profiles:

- Gealan 8000IQ
- Gealan 9000



U-striker

for 2-leaf doors with SECURY panic locks and series 19, for normal-duty applications, with decorative plastic end caps

U-striker

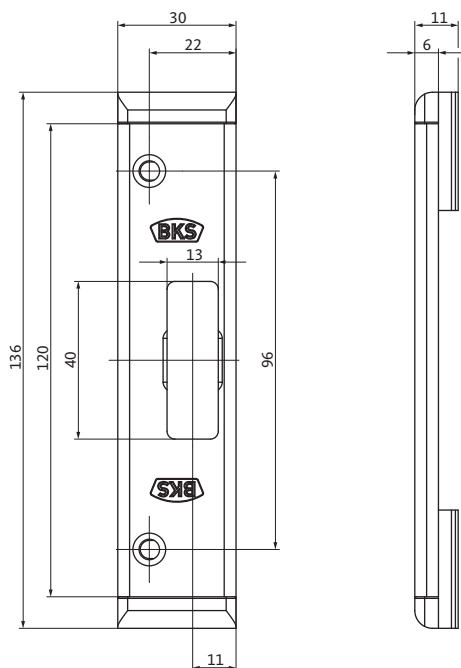
Material/Finish	Central latchbolt	Additional latchbolt
Stainless steel	6-34554-1A-0-8	6-34553-00-0-8
	For use with passive-leaf control lock B 1895	
	6-35579-4P-0-1	

Suitable for PVC profiles:

- Gealan 8000IQ
- Gealan 9000

Strikers for PVC profiles

For Aluplast profiles



U-striker

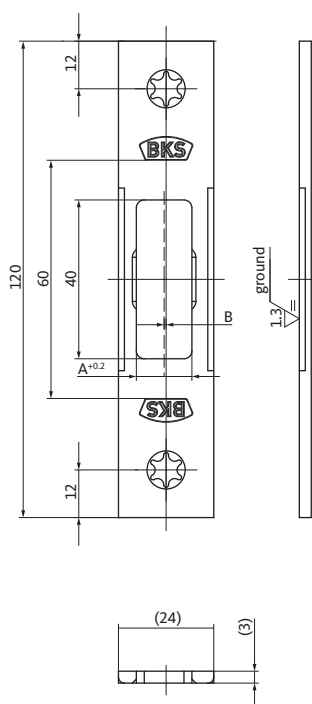
for 1-leaf doors with SECURY panic locks and series 19, for normal-duty applications, with decorative plastic end caps

U-striker

Material/Finish	Central latchbolt	Additional latchbolt
Stainless steel	6-34554-2U-0-8	6-34552-2U-0-8

Suitable for PVC profiles:

- Aluplast Ideal 4000
- Aluplast Ideal 7000



U-striker

for 2-leaf doors with SECURY panic locks and series 19, for normal-duty applications

U-striker

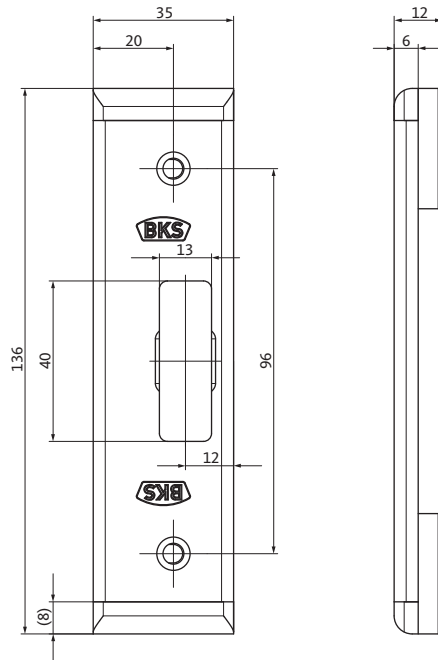
Material/Finish	Central latchbolt Dim. A = 13.5 Dim. B = 0.25	Additional latchbolt Dim. A = 13.5 Dim. B = 1.0
Stainless steel	9-43501-11-0-8	9-43501-03-0-8
	For use with passive-leaf control lock B 1895	
	6-35579-2U-0-8	

Suitable for PVC profiles:

- Aluplast Ideal 4000
- Aluplast Ideal 7000

Strikers for PVC profiles

For Rehau profiles



U-striker

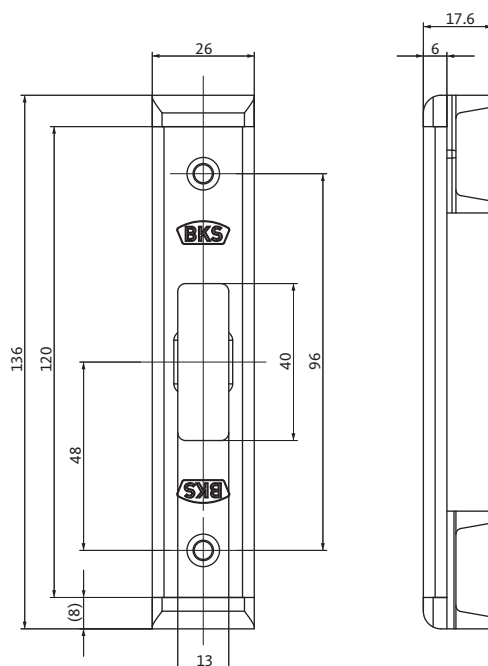
for 1-leaf doors with SECURY panic locks and series 19, for normal-duty applications, with decorative plastic end caps

U-striker

Material/Finish	Central latchbolt	Additional latchbolt
Stainless steel	6-34554-5D-0-8 (Geneo)	6-34552-5D-0-8 (Geneo)
	6-34554-62-0-8 (Brilliant Design)	6-34552-62-0-8 (Brilliant Design)

Suitable for PVC profiles:

- Rehau Geneo
- Rehau Brilliant Design



U-striker

for 2-leaf doors with SECURY panic locks and series 19, for normal-duty applications, with decorative plastic end caps

U-striker

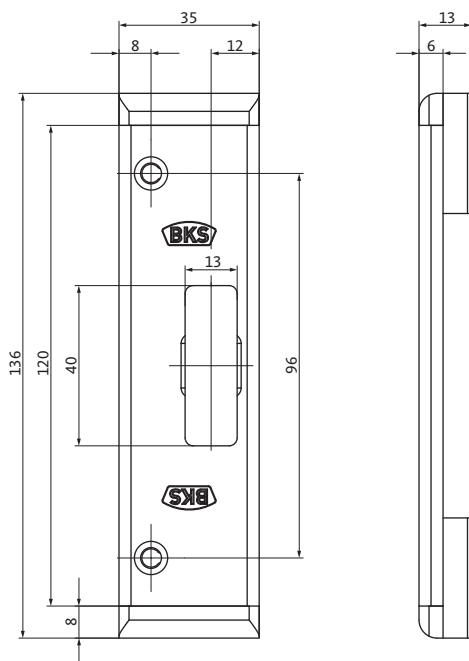
Material/Finish	Central latchbolt	Additional latchbolt
Stainless steel	6-34554-1A-0-8	6-34553-00-0-8
	For use with passive-leaf control lock B 1895	
	6-35579-5D-0-1 (Geneo)	6-35579-62-0-1 (Brilliant Design)

Suitable for PVC profiles:

- Rehau Geneo
- Rehau Brilliant Design

Strikers for PVC profiles

For Salamander profiles



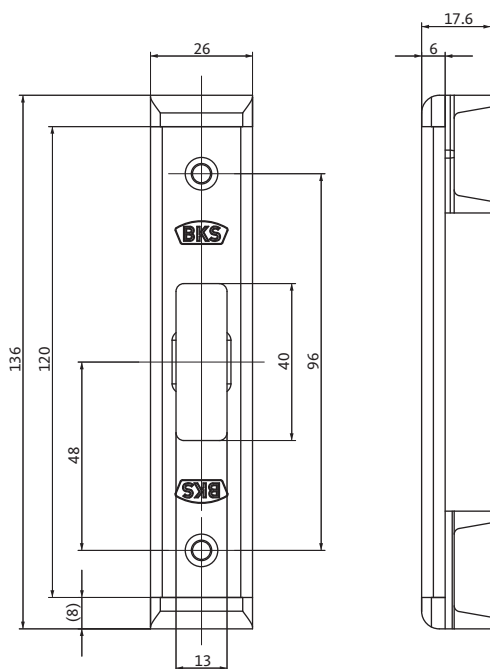
U-striker

for 1-leaf doors with SECURY panic locks and series 19, for normal-duty applications, with decorative plastic end caps

U-striker		
Material/Finish	Central latchbolt	Additional latchbolt
Stainless steel	6-34554-2R-0-8 (Streamline)	6-34552-2R-0-8 (Streamline)
	6-34554-5J-0-8 (bluEvolution 82)	6-34552-5J-0-8 (bluEvolution 82)
	6-34554-5Y-0-8 (bluEvolution 92)	6-34552-5Y-0-8 (bluEvolution 92)
	6-34554-2U-0-8 (Inoutic)	6-34552-2U-0-8 (Inoutic)

Suitable for PVC profiles:

- Salamander Streamline
- Salamander bluEvolution 82
- Salamander bluEvolution 92
- Salamander Inoutic



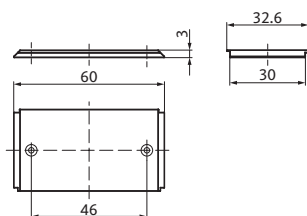
U-striker

for 2-leaf doors with SECURY panic locks and series 19, for normal-duty applications, with decorative plastic end caps

U-striker		
Material/Finish	Central latchbolt	Additional latchbolt
Stainless steel	6-34554-1A-0-8	6-34553-00-0-8
	For use with passive-leaf control lock B 1895	
	6-35579-2R-0-1 (Streamline)	6-35579-5J-0-1 (bluEvolution 82)
	6-35579-5Y-0-1 (bluEvolution 92)	

Suitable for PVC profiles:

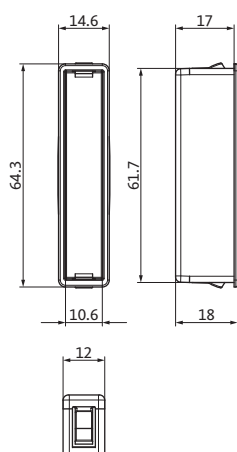
- Salamander Streamline
- Salamander bluEvolution 82
- Salamander bluEvolution 92



Profile guard plate

Profile guard plate

Order number
K-19307-01-0-6

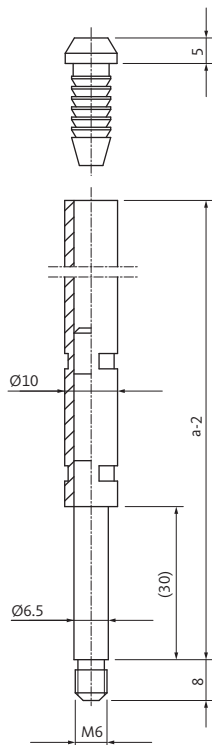


Deadbolt cover

Deadbolt cover

For striker thicknesses	Order number
2 mm	9-50849-01-0-6
3 mm	9-50849-02-0-6

B 9006 vertical rod



Vertical rod with end plug

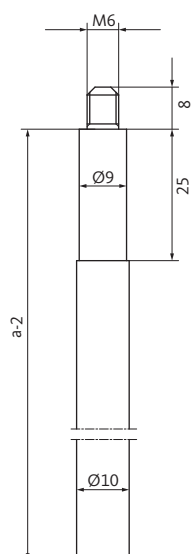
For automatic top-locking of the passive leaf

B 9006 vertical rod Available lengths

Vertical rod with end plug	
Rod length (a)	Order number
760 mm	B 9006 0018
1010 mm	B 9006 0020
1135 mm	B 9006 0021
1200 mm	B 9006 0012
1385 mm	B 9006 0022
1500 mm	B 9006 0013
2000 mm	B 9006 0014
3000 mm	B 9006 0016

The fabricator must cut the vertical rods to the exact length required.

Separate end plugs	B 9039 0001
--------------------	-------------



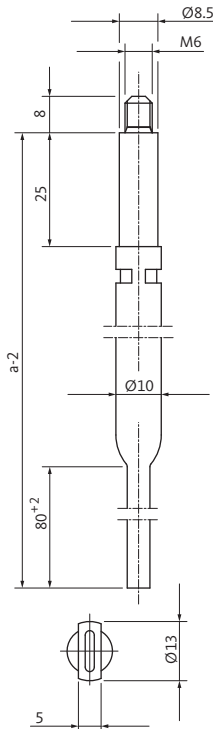
Solid vertical rod

Manual locking of the passive leaf at the top, manual or automatic locking of the passive leaf at the bottom

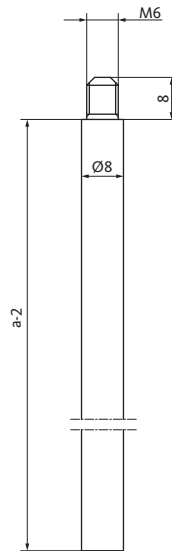
B 9006 vertical rod Available lengths

Solid vertical rod	
Rod length (a)	Order number
1187 mm	B 9006 0004
1487 mm	B 9006 0005
2987 mm	B 9006 0008

The fabricator must cut the vertical rods to the exact length required.



for 'Planet' door gasket



for 'Athmer' door gasket

B 9006 solid vertical rod for narrow door gasket 'Planet'

B 9006 vertical rod (type 'Planet') Available lengths

Rod length (a)	Order number
917 mm	B 9006 0700
1414 mm	B 9006 0703
1440 mm	B 9006 0704

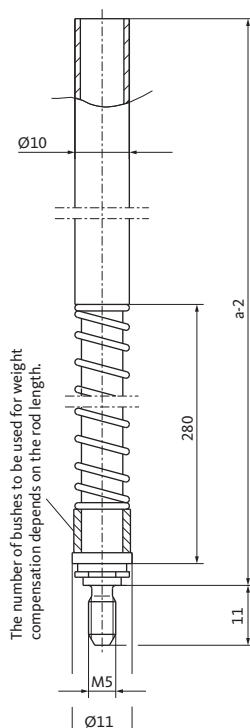
The fabricator must cut the vertical rods to the exact length required.

B 9006 solid vertical rod for 'Athmer' door gasket

B 9006 vertical rod (type 'Athmer') Available lengths

Rod length (a)	Order number
1187 mm	B 9006 0070
1487 mm	B 9006 0071

The fabricator must cut the vertical rods to the exact length required.



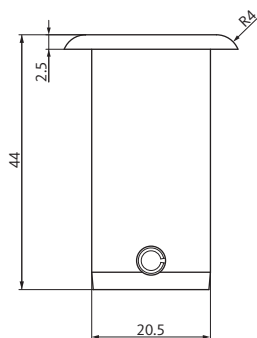
B 9036 spring-loaded vertical rod with end plug

for B 1794 shoot-bolt lock in conjunction with B 1895 passive-leaf control lock

B 9036 spring loaded vertical rod with end plug

Door height	Rod length (a)	Order number
2000–2250 mm	1135 mm	B 9036 0001
2250–2500 mm	1385 mm	B 9036 0002
2500–2750 mm	1635 mm	B 9036 0003
2750–3000 mm	1885 mm	B 9036 0004
3000–3250 mm	2135 mm	B 9036 0005
3250–3500 mm	2385 mm	B 9036 0006
3500–3750 mm	2635 mm	B 9036 0007

The fabricator must cut the vertical rods to the exact length required.



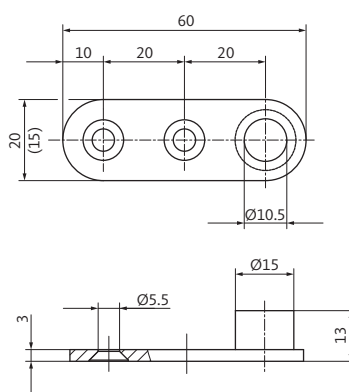
B 9003 floor striker

Floor striker for automatic and manual locking on passive leaf. Casing made of nickel-plated brass; plastic cover

Floor striker

Order number

B-90030-00-0-4



B 9019 guide plate for vertical rod

Note:

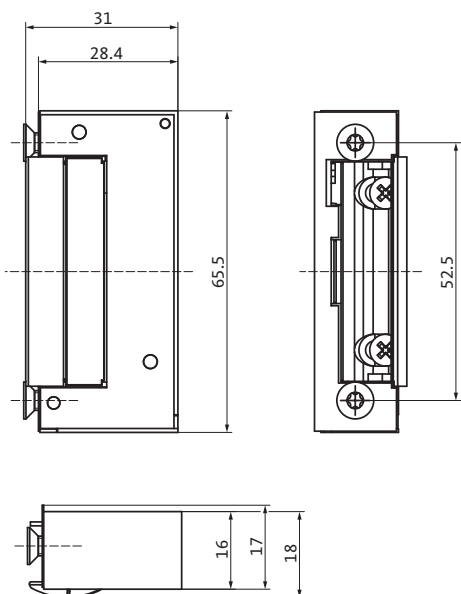
1 piece required for automatic locking at bottom
2 pieces required for automatic locking at top and bottom

Guide plate for vertical rod

Shape	Dim. 20 x 60 x 3 mm Non-handed
Round	B 9019 0001
Shape	Dim. 15 x 60 x 3 mm Non-handed
Round	B 9019 0004 for 'Athmer' door gasket

GU-BKS electric strike ET 8

Standard versions



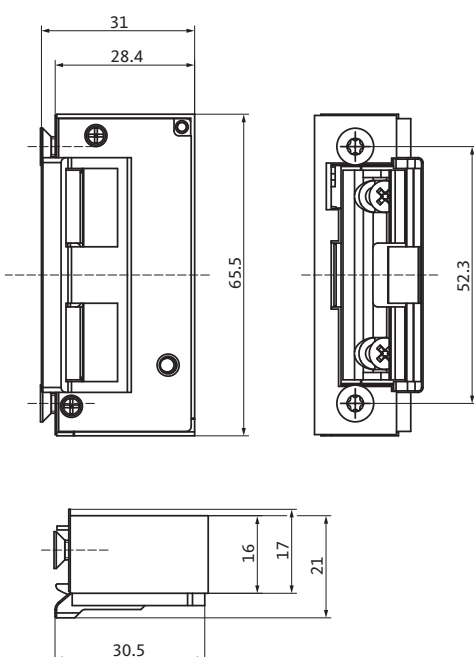
GU-BKS electric strike ET 8 without latch slide cover

Performance features:

Non-handed, small size, with radius keeper, pole reversal-proof spike protection, offers high resistance to attempted uplifting, optimum adaptation to the frame profile.

GU-BKS electric strike

Description	Voltage range	Order number
Fail-secure	9–24 V AC/DC	6-35804-01-0-1
Fail-secure with mechanical override	9–24 V AC/DC	6-35804-02-0-1
Fail-secure with monitoring contact	9–24 V AC/DC	6-35804-03-0-1
Fail-safe	9–24 V AC/DC	6-35806-01-0-1
Fail-safe with monitoring contact	9–24 V AC/DC	6-35806-03-0-1



GU-BKS electric strike ET 8 with latch slide cover

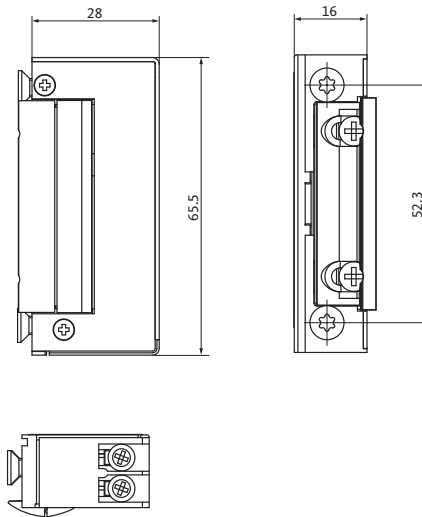
Performance features:

Non-handed, small size, with radius keeper, pole reversal-proof spike protection, offers high resistance to attempted uplifting, optimum adaptation to the frame profile.

GU-BKS electric strike

Description	Voltage range	Order number
Fail-secure	9–24 V AC/DC	6-35805-01-0-1
Fail-secure with mechanical override	9–24 V AC/DC	6-35805-02-0-1
Fail-secure with monitoring contact	9–24 V AC/DC	6-35805-03-0-1
Fail-safe	9–24 V AC/DC	6-35807-01-0-1
Fail-safe with monitoring contact	9–24 V AC/DC	6-35807-03-0-1

For more information, please see order catalogue "GU-BKS electric strikes ET 8 (WP00310)"



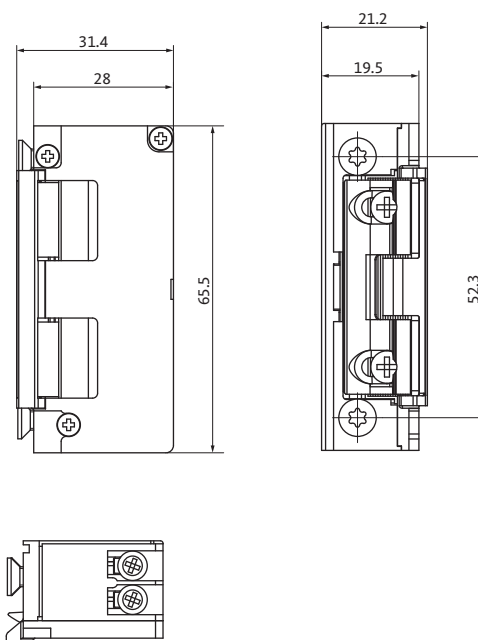
GU-BKS electric strike ET 8 without latch slide cover Fire-rated version

Performance features:

Non-handed, small size, with radius keeper, pole reversal-proof spike protection, offers high resistance to attempted uplifting, optimum adaptation to the frame profile.

GU-BKS electric strike

Description	Voltage range	Order number
Fail-secure	9–24 V AC/DC	B-92510-00-0-8
	22–26 V AC/DC	B-92510-01-0-8
Fail-secure with monitoring contact	9–24 V AC/DC	B-92510-02-0-8
	22–26 V AC/DC	B-92510-03-0-8
Fail-secure with high-preload controller	6–28 V AC/DC	B-92510-20-0-8
Fail-secure with monitoring contact and high-preload controller	6–28 V AC/DC	B-92510-21-0-8



GU-BKS electric strike ET 8 with latch slide cover Fire-rated version

Performance features:

Non-handed, small size, with radius keeper, pole reversal-proof spike protection, offers high resistance to attempted uplifting, optimum adaptation to the frame profile.

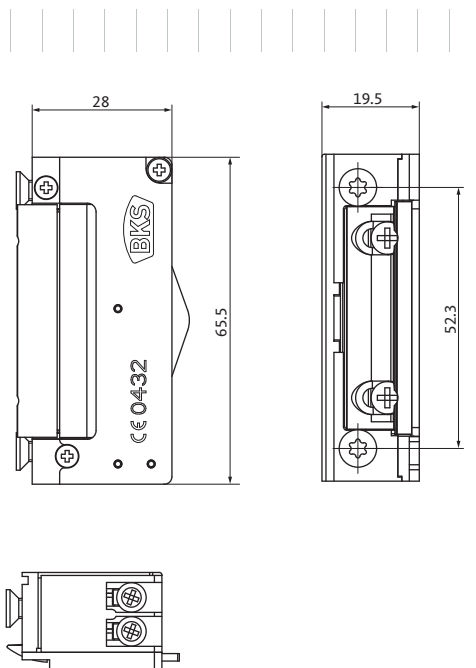
GU-BKS electric strike

Description	Voltage range	Order number
Fail-secure	9–24 V AC/DC	B-92510-10-0-8
	22–26 V AC/DC	B-92510-11-0-8
Fail-secure with monitoring contact	9–24 V AC/DC	B-92510-12-0-8
	22–26 V AC/DC	B-92510-13-0-8
Fail-secure with high-preload controller	6–28 V AC/DC	B-92510-30-0-8
Fail-secure with monitoring contact and high-preload controller	6–28 V AC/DC	B-92510-31-0-8



GU-BKS electric strike ET 8 METÖ

Standard versions



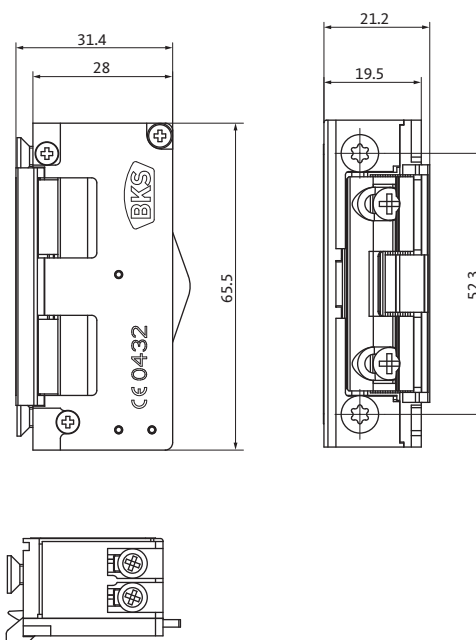
GU-BKS electric strike ET 8 METÖ for 2-leaf doors without latch slide cover

Performance features:

Non-handed, small size, with radius keeper, pole reversal-proof spike protection, offers high resistance to attempted uplifting, optimum adaptation to the frame profile.

GU-BKS electric strike

Description	Voltage range	Order number
Fail-secure	9-24 V AC/DC	B-92520-20-0-8
	22-26 V AC/DC	B-92520-21-0-8
Fail-secure with monitoring contact	9-24 V AC/DC	
	DIN LH	B-92520-22-L-8
	DIN RH	B-92520-22-R-8
	22-26 V AC/DC	
	DIN LH	B-92520-23-L-8
	DIN RH	B-92520-23-R-8



GU-BKS electric strike ET 8 METÖ for 2-leaf doors with latch slide cover

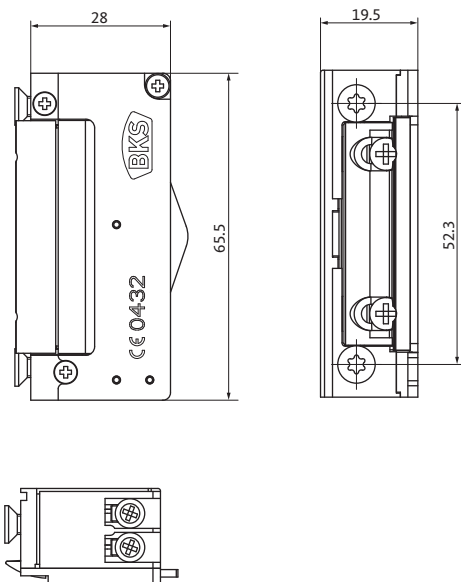
Performance features:

Non-handed, small size, with radius keeper, pole reversal-proof spike protection, offers high resistance to attempted uplifting, optimum adaptation to the frame profile.

GU-BKS electric strike

Description	Voltage range	Order number
Fail-secure	9-24 V AC/DC	B-92520-00-0-8
	22-26 V AC/DC	B-92520-01-0-8
Fail-secure with monitoring contact	9-24 V AC/DC	
	DIN LH	B-92520-02-L-8
	DIN RH	B-92520-02-R-8
	22-26 V AC/DC	
	DIN LH	B-92520-03-L-8
	DIN RH	B-92520-03-R-8

For more information, please see order catalogue "GU-BKS electric strikes ET 8 (WP00310)"



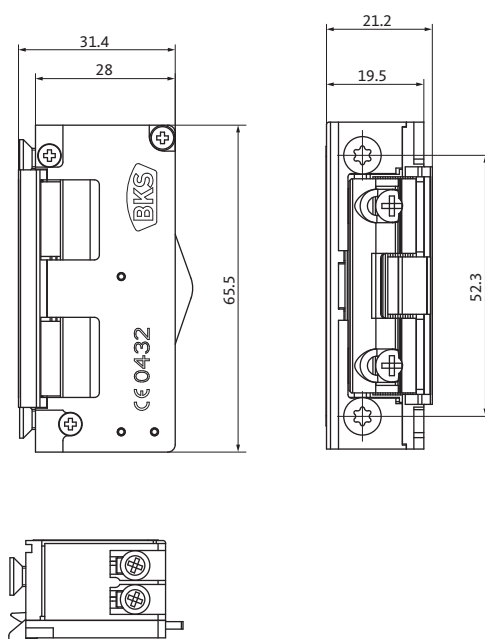
GU-BKS electric strike ET 8 METÖ for 2-leaf doors without latch slide cover Fire-rated version

Performance features:

Non-handed, small size, with radius keeper, pole reversal-proof spike protection, offers high resistance to attempted uplifting, optimum adaptation to the frame profile.

GU-BKS electric strike

Description	Voltage range	Order number
Fail-secure	9–24 V AC/DC	B-92520-30-0-8
	22–26 V AC/DC	B-92520-31-0-8
Fail-secure with monitoring contact	9–24 V AC/DC	
	DIN LH	B-92520-32-L-8
	DIN RH	B-92520-32-R-8
	22–26 V AC/DC	
	DIN LH	B-92520-33-L-8
	DIN RH	B-92520-33-R-8



GU-BKS electric strike ET 8 METÖ for 2-leaf doors with latch slide cover Fire-rated version

Performance features:

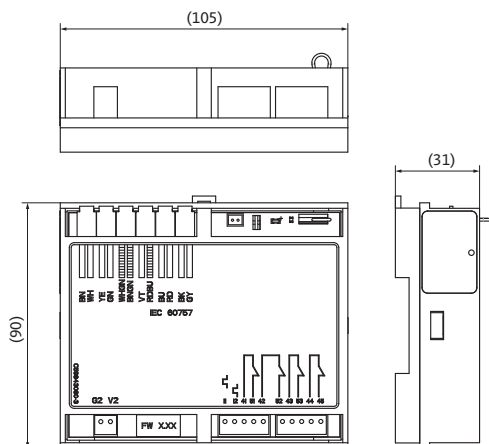
Non-handed, small size, with radius keeper, pole reversal-proof spike protection, offers high resistance to attempted uplifting, optimum adaptation to the frame profile.

GU-BKS electric strike

Description	Voltage range	Order number
Fail-secure	9–24 V AC/DC	B-92520-10-0-8
	22–26 V AC/DC	B-92520-11-0-8
Fail-secure with monitoring contact	9–24 V AC/DC	
	DIN LH	B-92520-12-L-8
	DIN RH	B-92520-12-R-8
	22–26 V AC/DC	
	DIN LH	B-92520-13-L-8
	DIN RH	B-92520-13-R-8

Controller/RWA control unit/Emergency power backup

For motor-driven shoot-bolt locks B-1893/B-1993



Control units for motor-driven shoot-bolt locks B-1893/B-1993 including service plug

Technical data:

- Operating voltage: 24 V DC ± 10%
- Operating current: 2–4.2 A max.
- Standby: 100 mA max.

Controller

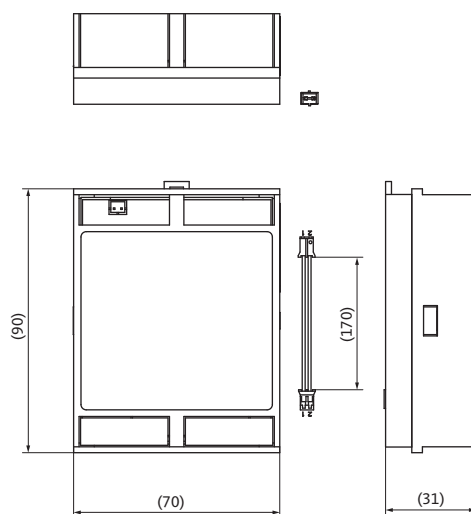
Order number
B-54900-01-3-9

RWA control unit

Order number
B-54900-01-4-9

Top-hat rail casing for controller/RWA control unit

Order number
B 5495 0251



Emergency power backup for motor-driven shoot-bolt locks B-1893/B-1993

An external emergency power supply or emergency power backup B-54903-23-3-9 is a mandatory requirement for fire protection approval.

Emergency power backup

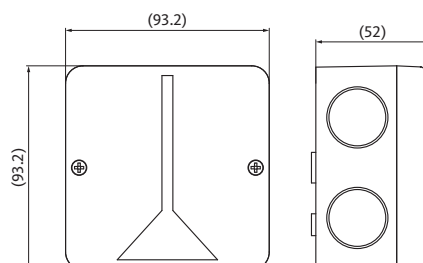
Order number
B-54903-23-3-9

Top-hat rail casing for emergency power backup

Order number
B 5495 0251

I/O module

For electrically coupled panic locks B-197x/B-198x



I/O module EK

The purpose of the I/O module EK is to establish secure data transmission (BUS connection) between the electrically-coupled lock and actuating element.

I/O module EK

Order number

B-54900-03-3-9

Radio transmitter/Radio receiver



Radio receiver with two outputs

Radio receiver	
Description	Order number
Radio receiver	B-55280-02-0-6

Can be used with all mechatronic locks such as electrically-coupled panic locks 197x, motor-driven locks 195x and SECURY 19 with A-opener



Radio transmitter for installation in switch boxes

Radio transmitter	
Description	Order number
Radio transmitter	B-55281-03-1-9

Suitable for use, e.g. for elbow push-button or key switch



Handheld radio transmitter with one button

Handheld radio transmitter	
Description	Order number
Handheld radio transmitter – 1 button	B-55281-01-0-9

Can be used with all motor-driven solutions of the Gretsch-Unitas group.

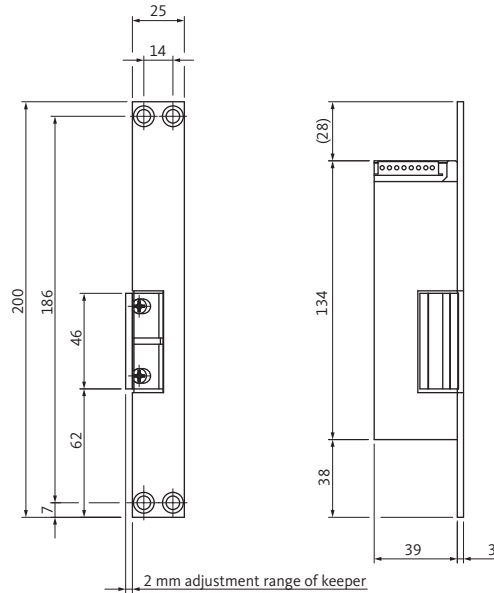


Handheld radio transmitter with four buttons

Handheld radio transmitter	
Description	Order number
Handheld radio transmitter – 4 buttons	B-55281-02-0-9

Can be used with all motor-driven solutions of the Gretsch-Unitas group.

B 5465 electric escape door strike



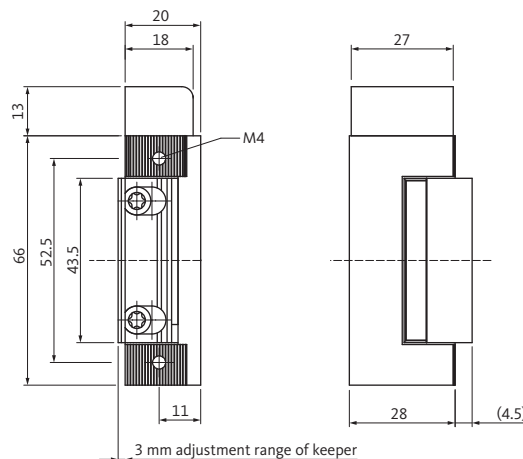
B 5465 electric escape door strike (type 331) Fail-safe

With integral monitoring and armature contact; the electric escape door strikes listed are approved locking elements in compliance with EltVTR.

Electric escape door strike

Version		Order number
FaFix electric escape door strike Flat striker	DIN LH	B 5465 0020
	DIN RH	B 5465 0030
FaFix electric escape door strike Angled striker	DIN LH	B 5465 0120
	DIN RH	B 5465 0130
Latch lock for electric escape door strike	Square	B 5495 0010
	Round	B 5495 0011

Operating voltage: 24 V DC
Current consumption: 160 mA



B 5465 electric escape door strike (type 332) Fail-safe

The electric escape door strike is used for the electric locking of escape doors. It is used together with an EVP electrically-locking panic lock and a FTNT10/20 escape door control unit.

Electric escape door strike

Version	Order number
FaFix	B 5465 0400
ProFix 2	B 5465 0402

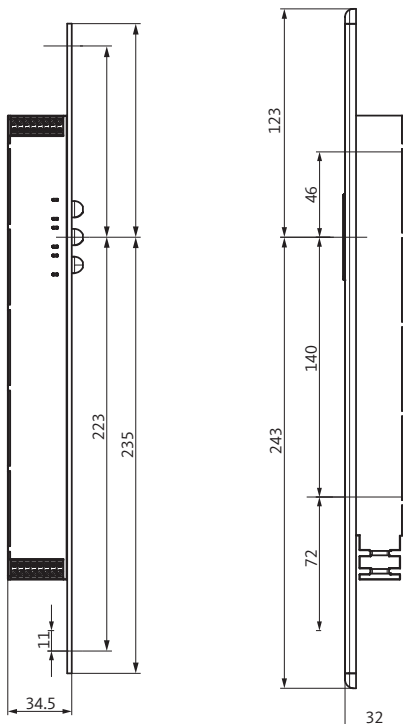
Operating voltage: 24 V DC
Current consumption: 95 mA



SECUREconnect

More security and convenience for all mechatronic locks. SECUREconnect 200 for wireless power and data transmission between frame and door leaf – the secure energy and data transmission system is suitable for all mechatronic locks of the Gretsch-Unitas group and will be expanded in the new generation to include an access control interface for activation of finger scanners or code keypads.

SECUREconnect		
Version	SECUREconnect 200	SECUREconnect 50
Data transmission	■	-
Power transmission	■	■
Integral power supply unit	■	■
Concealed	■	■
Detachable	■	■
Opening angle	Unlimited	Unlimited
Order number	B-55600-20-4-6	B-55600-34-4-6



Dimensioned drawing
(example for aluminium)

Cable links



Cable link

Application:

Protection of electrical cables (frame to door leaf) with a diameter of up to 10 mm. This is required for example when using follower switch contact B 9032, electrical latch and/or deadbolt monitoring and monitored escape door locks.

The cable links protect extra-low voltage cables in doors against mechanical damage when the door is opened and closed. The concealed installation ensures protection against unauthorised access.

Cable links	
Cable links, concealed	Order number
Dimensions 24 x 260 x 17 mm/installation channel on one side/inner diameter 10 mm/opening for 100°	6-29854-00-0-0
Dimensions 24 x 280 x 17 mm/installation channel on one side/inner diameter 10 mm/opening up to 180°	6-29942-00-0-0
Dimensions 20 x 350 x 15 mm/installation channel on one side/inner diameter 8 mm/opening up to 180°	6-30809-00-0-0
Flexible length 370 mm/without installation channel/inner diameter 10 mm/opening up to 180°	9-39237-00-0-0
Flexible length 241 mm/without installation channel/inner diameter 8 mm/opening up to 180°	9-41419-00-0-0
Cable links, face-fixed	Order number
500 mm length/white	B 5527 0100



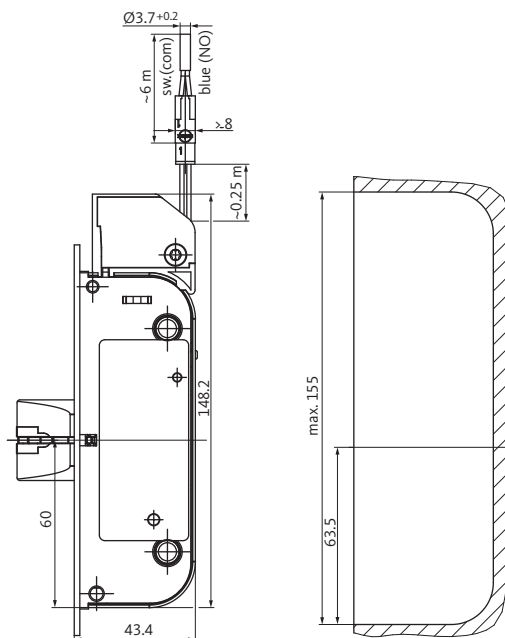
Detachable cable link

Application:

Protection of electrical cables (frame to door leaf) with a diameter of up to 10 mm. This is required for example when using follower switch contact B 9032, electrical latch and/or deadbolt monitoring and monitored escape door locks.

The cable links protect extra-low voltage cables in doors against mechanical damage when the door is opened and closed.

Cable links	
Cable link, detachable, concealed	Order number
Dimensions 24 x 490 x 18.5 mm/without installation channel/10-pole version	6-35193-00-0-8
Dimensions 24 x 519 x 17.5 mm/installation channel on one side/10-pole version	6-35194-00-0-8
Dimensions 24 x 480 x 17 mm/installation channel on one side/12-pole version/for motor-driven shoot-bolt locks B-1893 and B-1993	B 5527 0004
Installation kit for timber doors/dimensions 24 x 18 mm (packer for timber frame)	6-35195-00-0-0



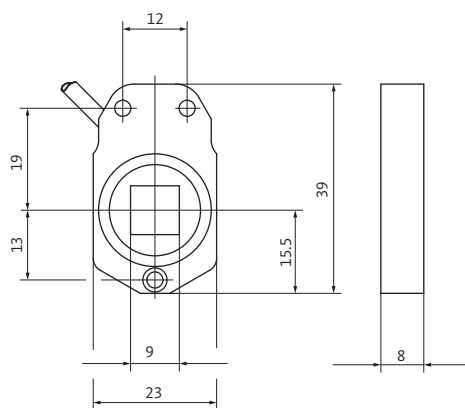
Additional lock for SECURITY multi-point lock

Latchbolt monitoring

Additional lock

Additional lock set with query	Order number
DIN left	K-16538-01-0-1
DIN right	K-16538-00-0-1

including 6 m connecting cable



B 9032 follower monitoring contact

Technical data:

- Follower: 9 mm
- Connection: opening or closing
- Current: 35 mA (max.)
- Voltage: 28 V DC (max.)

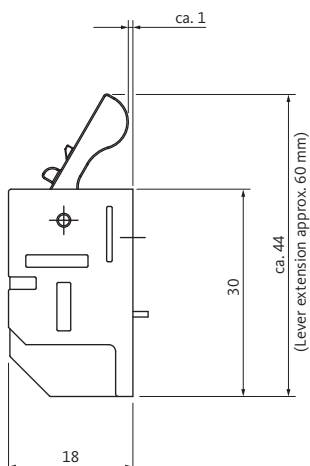
Follower monitoring contact

Function	Order number
Opener	B 9032 0000
Closer	B 9032 0001

Connecting cable

Length	Order number
4 m	B 5490 0100
8 m	B 5490 0101

Monitoring contact/Emergency power backup



B 9033 monitoring contact

Technical data:

- Switching contact: transfer contact
- Contact load: max. 3 W
- Current: 5–300 mA
- Approval: VdS C
- Protection type: IP67

Deadbolt monitoring contact

Order number
B 9033 0000



B 5490 emergency power backup system

In the event of a power failure, the emergency power backup system ensures that there is sufficient power to project the latchbolt into its locked position (obligatory for fire protection doors). The emergency power backup system blocks the electrical activation of the lock as long as no mains voltage is available. During commissioning or once the mains voltage has been restored, the lock can be activated again electrically.

Technical data:

- Casing (LxWxH): 100 x 24 x 15 mm
- Operating voltage: 24 V DC \pm 15%
- Current consumption: 1 A max.
- Standby: 30 mA max.

Emergency power backup

Used for	Order number
B 1956/B 1959 motor-driven lock	B 5490 0301
A-opener	B 5490 0303

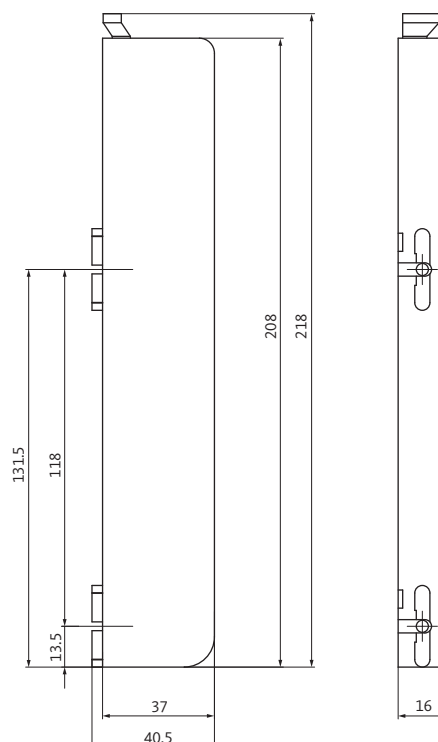


B 5490 connecting cable

Connecting cable for escape door monitoring, for deadbolt, latch and follower monitoring and for electrically coupled locks.

Connecting cable

Used for	Length	Order number
Series 13	4 m	B 5490 0100
	8 m	B 5490 0101
Series 18 Series 19	10 m	B 5490 0300
Replacement for A-opener connecting cable	6 m	K-15442-01-0-1
Cable protection hose for motor-driven shoot-bolt locks B-1893/B-1993	2 m	B 5490 0308



A-opener kit

for SECURY multi-point lock

Technical data:

- Nominal voltage: 12 V AC/12–24 V DC (stabilised)
- Current consumption: max. 1 A
- Protection type: IP40
- Lifting force: max. 70 N

A-opener kit

Order number

K-18153-01-0-0

including 6 m connecting cable and carrier

Optional:

B 5490 0303 emergency power backup (see page 452)

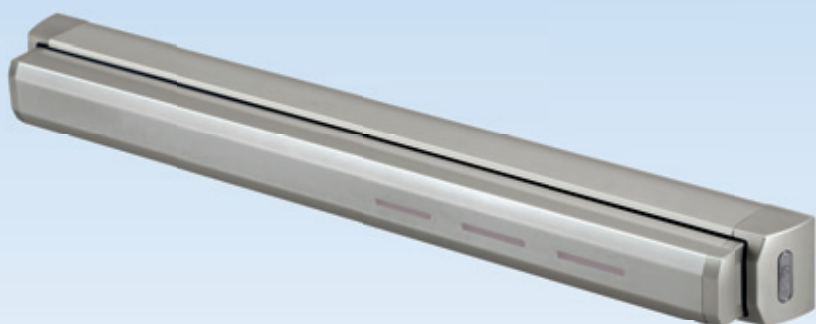
Door hardware for escape doors to EN 1125



With kind permission of Landesmesse Stuttgart GmbH

Electrically-locking Touch Bar EVT	456
B-7441 touch bar	458
B-7443 touch bar with short backplate	460
B-7400 push bar with backplate	462
B-7401 push bar	464
B-7402 cranked push bar	466
B-7403 cranked push bar with backplate	468
Push bar set Face-fixed panic exit devices according to EN 1125	470
Accessories	482

Electrically-locking Touch Bar EVT



Product information

Integration of an escape door locking complying with EltVTR into a Touch Bar on 1- or 2-leaf escape doors. The LED display on the electrically-locking Touch Bar EVT clearly signals the status as "locked" or "unlocked". When locked, the door is always secured by the locking points of the panic lock. The EVT Touch Bar prevents functional impairments and/or damage of the door from attempts to gain unauthorised access

10 m connecting cable included

Technical data:

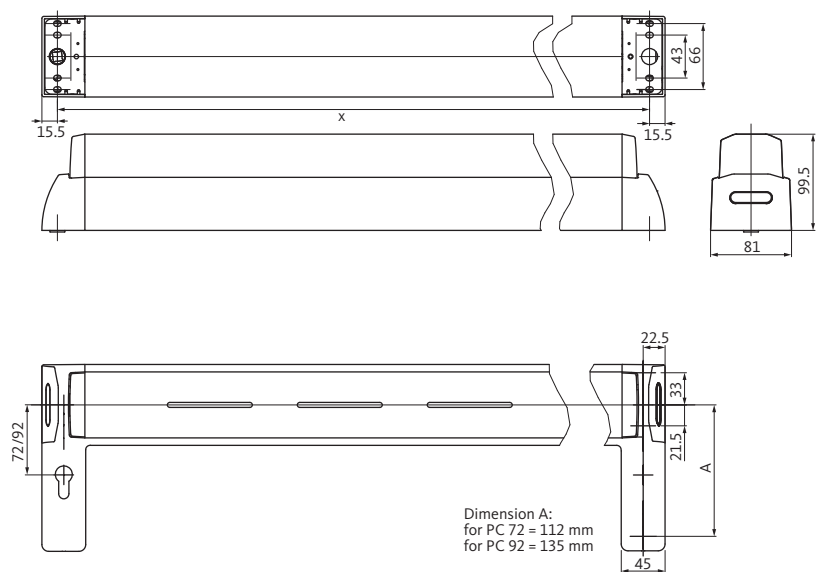
Voltage supply LED: 24 V DC/100 mA

Nominal voltage: 24 V DC \pm 10%

Current consumption: 100 mA

Monitoring contact: 24 V DC/ 100 mA

Can be used in conjunction with the FTNT10/20 escape door control units. The Touch Bar can be networked via the BKS-NET door bus interface.

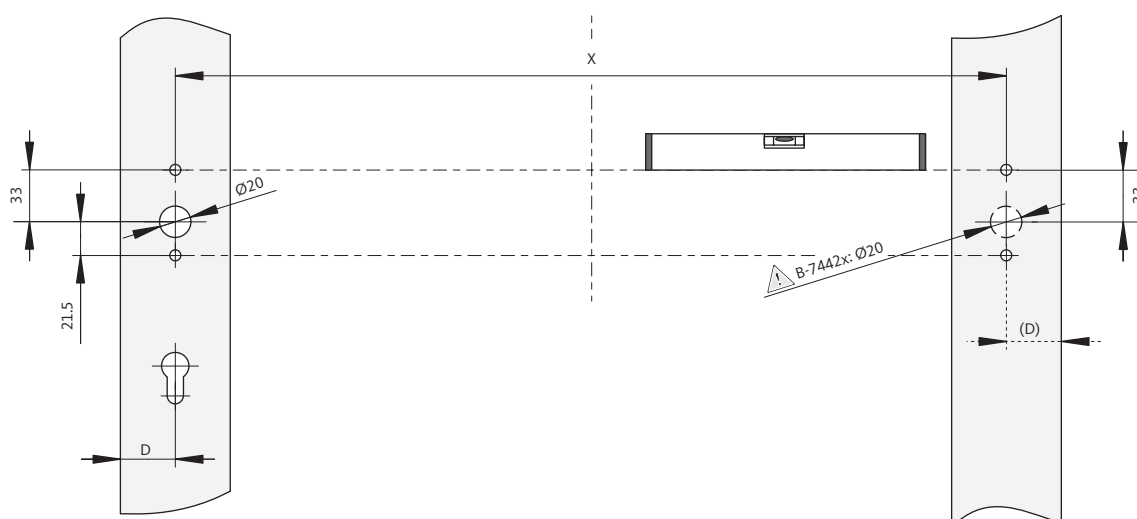


Some products in this series are suitable for:



Electrically-locking Touch Bar EVT

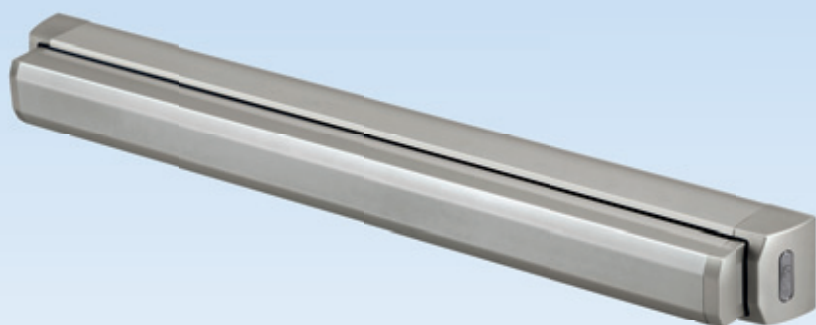
Type of set	Order number
Active leaf/passive leaf DIN left/right for narrow stile doors	B-7442
Active leaf/passive leaf DIN left/right for timber and steel doors	B-7444



Please specify when ordering:

Description	Order number
Quantity [piece] _____ piece(s)	
Active leaf	
Installation dimension X [in mm] (min. 770 mm; max. 1458 mm) _____ mm	
DIN direction	<input type="checkbox"/> Left handed <input type="checkbox"/> Right handed
Material	<input type="checkbox"/> Aluminium F1 <input type="checkbox"/> Stainless steel
Cylinder hole	<input type="checkbox"/> PC 72 mm <input type="checkbox"/> PC 92 mm <input type="checkbox"/> Swiss RC 74 mm <input type="checkbox"/> Swiss RC 94
	<input type="checkbox"/> Without PC-hole
	B-7444
	B-7442
Passive leaf	
Installation dimension X [in mm] (min. 770 mm; max. 1458 mm) _____ mm	
DIN direction	<input type="checkbox"/> Left handed <input type="checkbox"/> Right handed
Material	<input type="checkbox"/> Aluminium F1 <input type="checkbox"/> Stainless steel

B-7441 touch bar

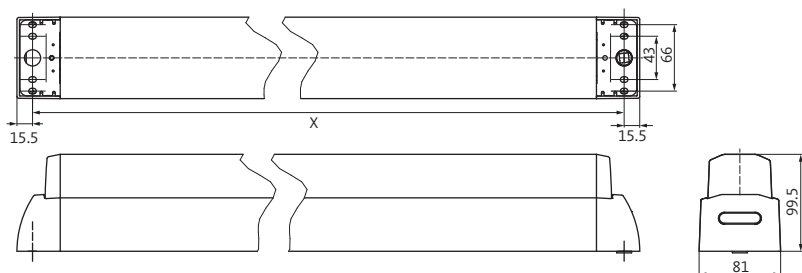


Product information

- BKS touch bar for use on smoke and fire protection doors and escape doors to DIN 18273, DIN 4102 and EN 1634
- With integral gear, 9 mm square and hold-up spring
- Approval to EN 1125 only in combination with approved BKS locks
- For use on active and passive door leaves
- Non-handed
- Material/Finish:
 - Matt stainless steel
 - Aluminium, F1
- Including fixing accessories

Note:

Dimension X must be specified when ordering the touch bar.



Some products in this series are suitable for:



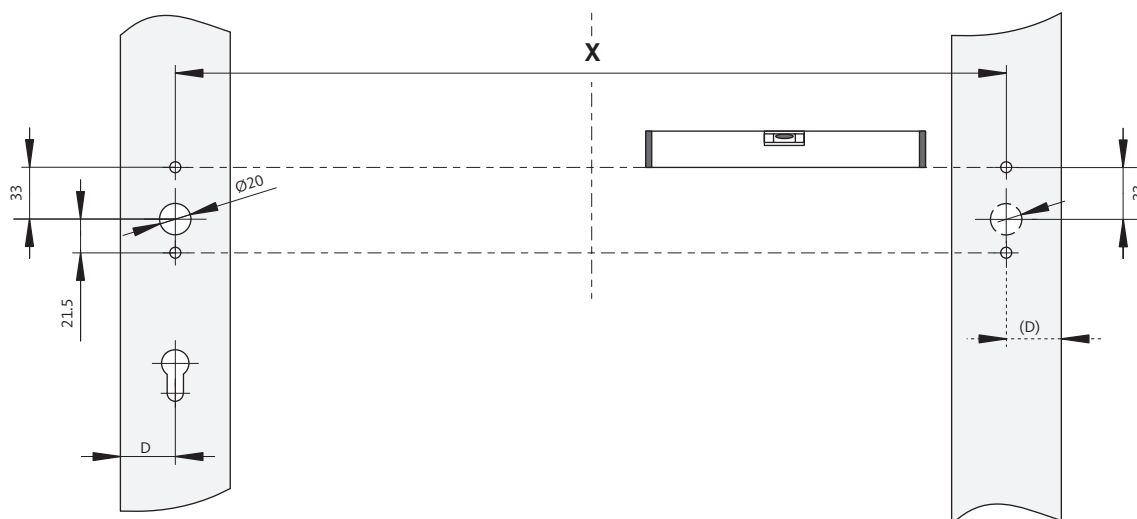
B-7441 touch bar in accordance to EN 1125

Type of set	Dim. X	Matt stainless steel	Aluminium F1	Aluminium F1 with plastic end caps, black
Active leaf/passive leaf DIN LH/DIN RH	660 [1]	B-74410-00-0-8	B-74410-00-0-1	B-74410-00-0-6
	808 mm [2]	B-74410-01-0-8	B-74410-01-0-1	B-74410-01-0-6
	1158 mm [2]	B-74410-02-0-8	B-74410-02-0-1	B-74410-02-0-6
	1458 mm [2]	B-74410-03-0-8	B-74410-03-0-1	B-74410-03-0-6

[1] Can be cropped to dimension x = 355 mm
 [2] Can be cropped to dimension x = 660 mm

PC rosette

Type of set	Backplate design	Cylinder hole	Matt stainless steel	Silver/EV 1 look
PC rosette	Rosette – square	Profile cylinder	B-72730-10-0-8	B-72730-10-0-1
	Rosette – oval		B-72730-00-0-8	B-72730-00-0-1

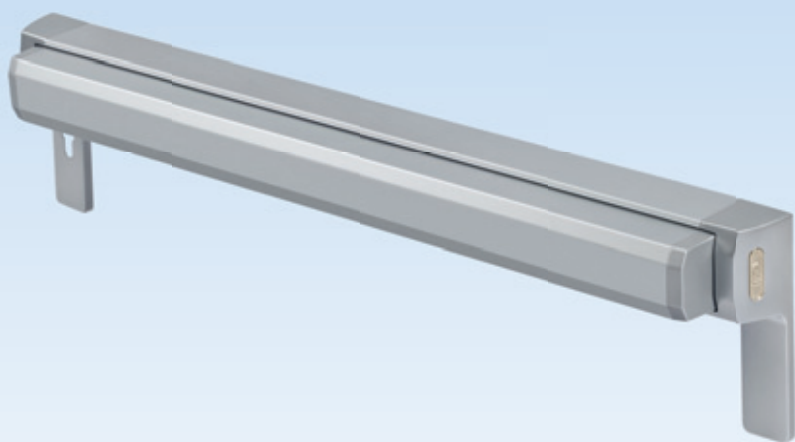


Please specify when ordering:

Description			
Quantity [piece]	_____ piece(s)		
Active leaf			
Installation dimension X [in mm] (min. 355 mm; max. 1458 mm)	_____ mm		
DIN direction	<input type="checkbox"/> Left handed	<input type="checkbox"/> Right handed	
Material	<input type="checkbox"/> Aluminium F1	<input type="checkbox"/> Aluminium F1 [3]	<input type="checkbox"/> Stainless steel
Passive leaf			
Installation dimension X [in mm] (min. 355 mm; max. 1458 mm)	_____ mm		
DIN direction	<input type="checkbox"/> Left handed	<input type="checkbox"/> Right handed	
Material	<input type="checkbox"/> Aluminium F1	<input type="checkbox"/> Aluminium F1 [3]	<input type="checkbox"/> Stainless steel

[3] with plastic end caps

B-7443 touch bar with short backplate

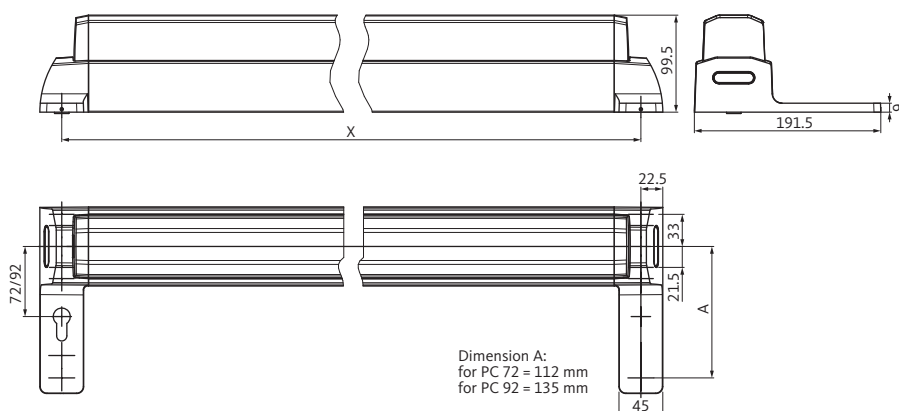


Product information

- BKS touch bar for use on smoke and fire protection doors and escape doors to DIN 18273, DIN 4102 and EN 1634
- With integral gear, 9 mm square and hold-up spring
- Approval to EN 1125 only in combination with approved BKS locks
- For use on active and passive door leaves
- Non-handed
- Material/Finish:
 - Matt stainless steel
 - Aluminium, F1
- Including fixing accessories

Note:

Dimension X must be specified when ordering the touch bar.



Some products in this series are suitable for:



B-7443 touch bar in accordance to EN 1125

Type of set	Cylinder hole	Dim. X	Matt stainless steel	Aluminium F1
Active leaf/passive leaf DIN LH/DIN RH	Without PC-hole	660 [1]	B-74430-00-0-8	B-74430-00-0-1
		808 mm [2]	B-74430-01-0-8	B-74430-01-0-1
		1158 mm [2]	B-74430-02-0-8	B-74430-02-0-1
		1458 mm [2]	B-74430-03-0-8	B-74430-03-0-1

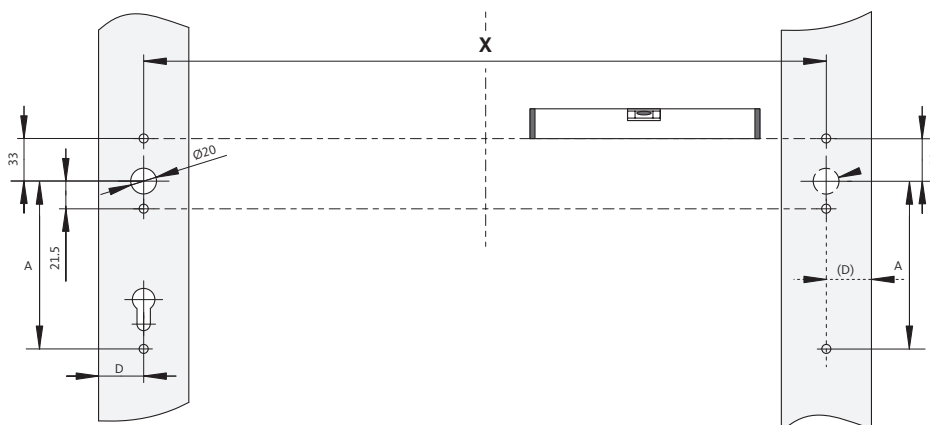
[1] Can be cropped to dimension x 355 mm
 [2] Can be cropped to dimension x = 660 mm

B-7443 touch bar in accordance to EN 1125

Type of set	Cylinder hole	Dim. X	Matt stainless steel DIN LH	DIN RH	Aluminium F1 DIN LH	DIN RH
Active leaf DIN left or DIN right	PC 72 mm	808 mm	B-74430-11-L-8	B-74430-11-R-8	B-74430-11-L-1	B-74430-11-R-1
		1158 mm	B-74430-12-L-8	B-74430-12-R-8	B-74430-12-L-1	B-74430-12-R-1
		1458 mm	B-74430-13-L-8	B-74430-13-R-8	B-74430-13-L-1	B-74430-13-R-1

B-7443 touch bar in accordance to EN 1125

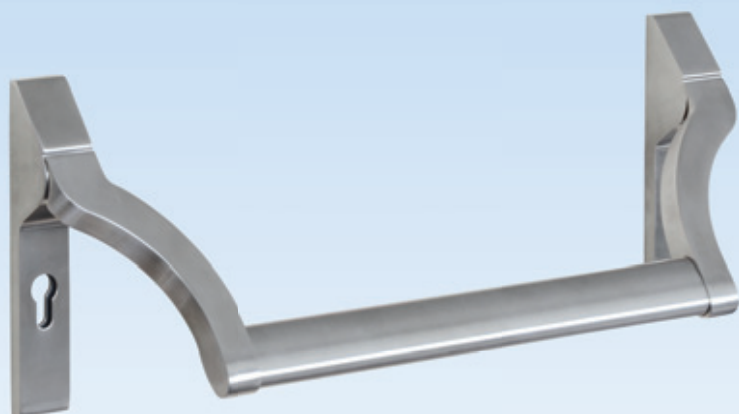
Type of set	Cylinder hole	Dim. X	Matt stainless steel DIN LH	DIN RH	Aluminium F1 DIN LH	DIN RH
Active leaf DIN left or DIN right	PC 92 mm	808 mm	B-74430-21-L-8	B-74430-21-R-8	B-74430-21-L-1	B-74430-21-R-1
		1158 mm	B-74430-22-L-8	B-74430-22-R-8	B-74430-22-L-1	B-74430-22-R-1
		1458 mm	B-74430-23-L-8	B-74430-23-R-8	B-74430-23-L-1	B-74430-23-R-1



Please specify when ordering:

Description					Order number
Quantity [piece]	_____ piece(s)				
Active leaf					
Installation dimension X [in mm] (min. 355 mm; max. 1458 mm)	_____ mm				
DIN direction	<input type="checkbox"/> Left handed	<input type="checkbox"/> Right handed			
Material	<input type="checkbox"/> Aluminium F1	<input type="checkbox"/> Stainless steel			
Cylinder hole	<input type="checkbox"/> PC 72 mm	<input type="checkbox"/> PC 92 mm	<input type="checkbox"/> Swiss RC 74 mm	<input type="checkbox"/> Swiss RC 94	B-7443
Passive leaf					
Installation dimension X [in mm] (min. 355 mm; max. 1458 mm)	_____ mm				
DIN direction	<input type="checkbox"/> Left handed	<input type="checkbox"/> Right handed			
Material	<input type="checkbox"/> Aluminium F1	<input type="checkbox"/> Stainless steel			

B-7400 push bar with backplate

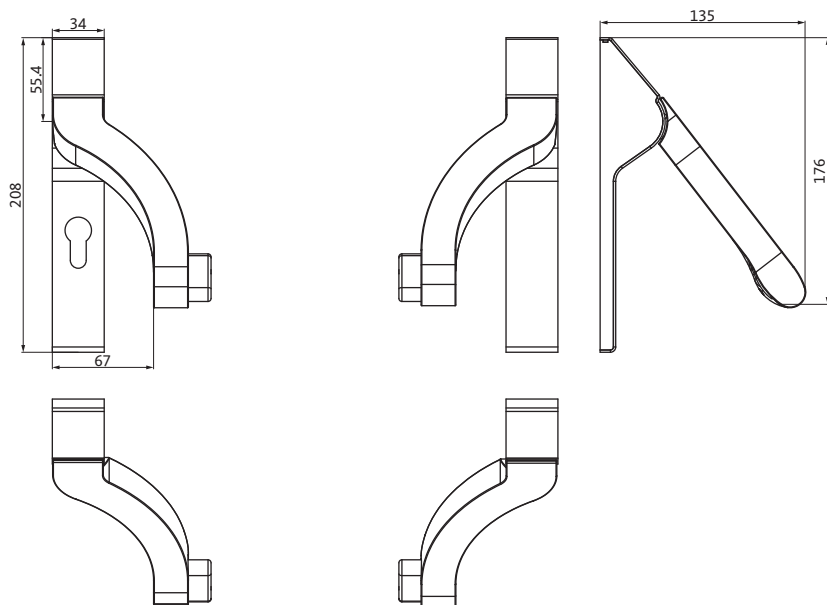


Product information

- BKS push bar for use on fire and smoke protection doors to DIN 18273, DIN 4102 and EN 1634
- With integral gear made of stainless steel, 9 mm square and hold-up spring
- Approval to EN 1125 only in combination with approved BKS locks
- For use on active and passive door leaves
- Suitable for heavy doors up to 300 kg
- Non-handed
- **Material/Finish:**
 - Matt stainless steel
 - Aluminium, F1
- Including fixing accessories
- Intended for assembly with BKS short backplates (PC 72 mm) or BKS narrow stile long backplates (PC 92 mm)

Note:

The crossbar must be ordered separately.



Some products in this series are suitable for:



B-7400 push bar according to EN 1125

Type of set	Cylinder hole	Matt stainless steel	Aluminium F1
Active leaf without crossbar	PC 72 mm	B-74000-10-0-8	B-74000-10-0-1N
	PZ 92 mm	B-74000-30-0-8	B-74000-30-0-1N
	Swiss RC 74 mm	B-74000-20-0-8	B-74000-20-0-1N
	Swiss RC 94 mm	B-74000-40-0-8	B-74000-40-0-1N

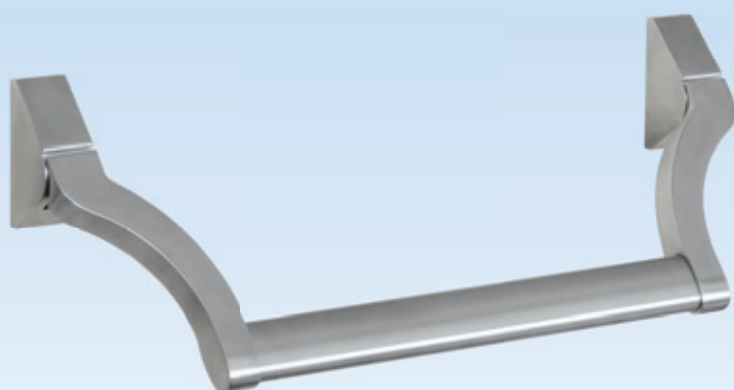
B-7400 push bar according to EN 1125

Type of set	Cylinder hole	Matt stainless steel	Aluminium F1
Passive leaf without crossbar	Without PC-hole	B-74000-00-0-8	B-74000-00-0-1N

Crossbar

Type of set	Crossbar length	Matt stainless steel	Aluminium F1
Crossbar	710 mm	B 7100 4210	B 7100 4270
	785 mm	B 7100 4211	B 7100 4271
	835 mm	B 7100 4212	B 7100 4272
	960 mm	B 7100 4213	B 7100 4273
	1150 mm	B 7100 4204	B 7100 4274
	1500 mm	B 7100 4205	B 7100 4275

B-7401 push bar

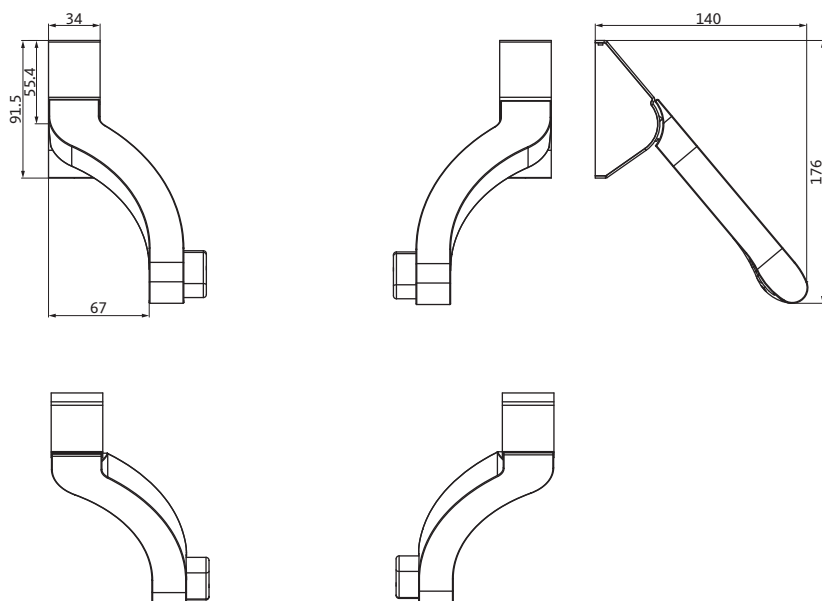


Product information

- BKS push bar for use on fire and smoke protection doors to DIN 18273, DIN 4102 and EN 1634
- With integral gear made of stainless steel, 9 mm square and hold-up spring
- Approval to EN 1125 only in combination with approved BKS locks
- For use on active and passive door leaves
- Suitable for heavy doors up to 300 kg
- Non-handed
- **Material/Finish:**
 - Matt stainless steel
 - Aluminium, F1
- Including fixing accessories

Note:

The crossbar must be ordered separately.



Some products in this series are suitable for:



B-7401 push bar according to EN 1125

Type of set	Cylinder hole	Matt stainless steel	Aluminium F1
Active leaf/passive leaf without crossbar	-	B-74010-00-0-8	B-74010-00-0-1N

PC rosette

Type of set	Backplate design	Cylinder hole	Matt stainless steel	Silver/EV 1 look
PC rosette	Rosette – square	Profile cylinder	B-72730-10-0-8	B-72730-10-0-1
	Rosette – oval		B-72730-00-0-8	B-72730-00-0-1

Crossbar

Type of set	Crossbar length	Matt stainless steel	Aluminium F1
Crossbar	710 mm	B 7100 4210	B 7100 4270
	785 mm	B 7100 4211	B 7100 4271
	835 mm	B 7100 4212	B 7100 4272
	960 mm	B 7100 4213	B 7100 4273
	1150 mm	B 7100 4204	B 7100 4274
	1500 mm	B 7100 4205	B 7100 4275

B-7402 cranked push bar

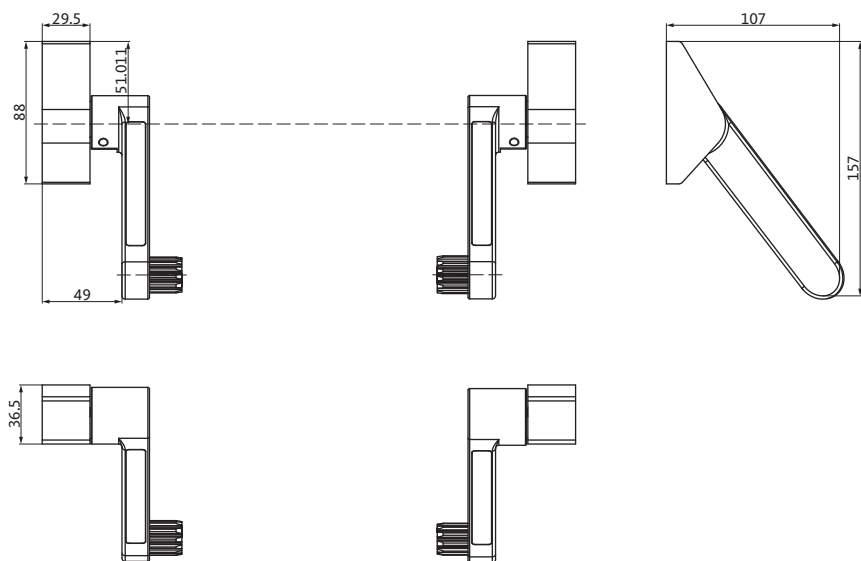


Product information

- BKS push bar for use on fire and smoke protection doors to DIN 18273, DIN 4102 and EN 1634
- With integral gear made of stainless steel, 9 mm square and hold-up spring
- Approval to EN 1125 only in combination with approved BKS locks
- For use on active and passive door leaves
- Suitable for heavy doors up to 300 kg
- Non-handed
- **Material/Finish:**
 - Matt stainless steel
- Including fixing accessories

Note:

The crossbar must be ordered separately.



Some products in this series are suitable for:



B-7402 push bar according to EN 1125

Type of set	Cylinder hole	Matt stainless steel
Active leaf/passive leaf without crossbar	Without PC-hole	B-74020-00-0-8

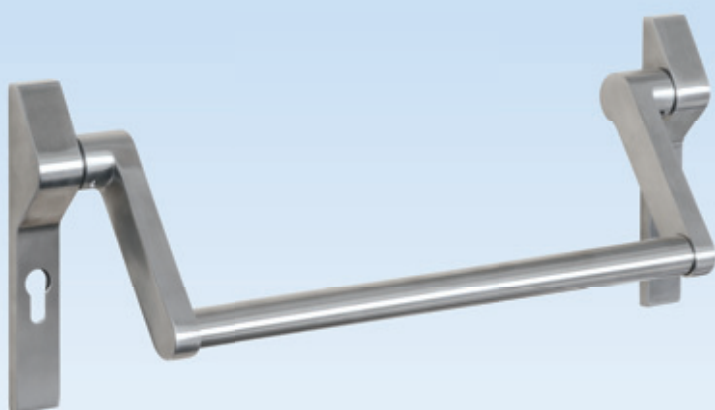
PC rosette

Type of set	Backplate design	Cylinder hole	Matt stainless steel
PC rosette	Rosette – square	Profile cylinder	B-72730-10-0-8
	Rosette – oval		B-72730-00-0-8

Crossbar

Type of set	Crossbar length	Matt stainless steel
Crossbar	650 mm	B-74090-00-0-8
	1090 mm	B-74090-04-0-8
	1440 mm	B-74090-05-0-8

B-7403 cranked push bar with backplate

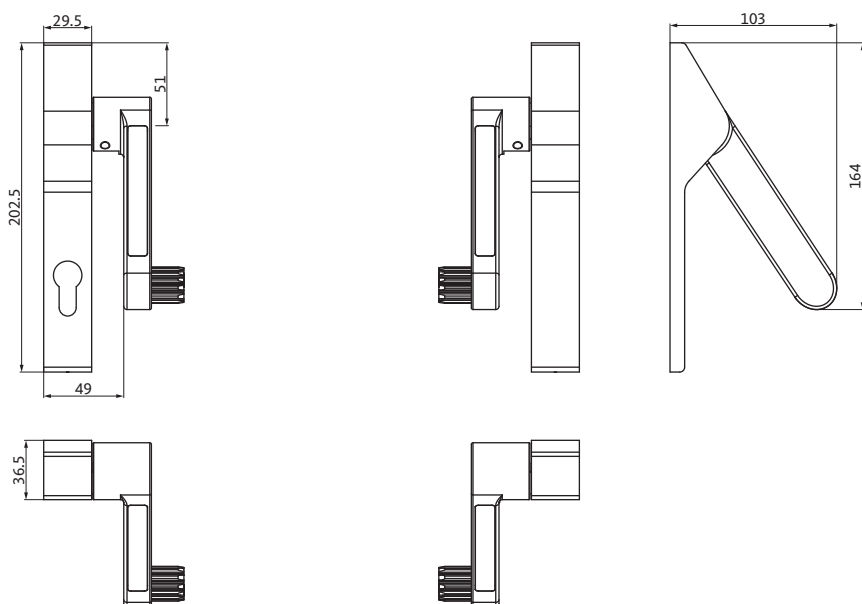


Product information

- BKS push bar for use on fire and smoke protection doors to DIN 18273, DIN 4102 and EN 1634
- With integral gear made of stainless steel, 9 mm square and hold-up spring
- Approval to EN 1125 only in combination with approved BKS locks
- For use on active and passive door leaves
- Suitable for heavy doors up to 300 kg
- Material/Finish:
 - Matt stainless steel
- Including fixing accessories
- Intended for assembly with BKS short backplates (PC 72 mm) or BKS narrow stile long backplates (PC 92 mm)

Note:

The crossbar must be ordered separately.



Some products in this series are suitable for:



B-7403 push bar according to EN 1125

Type of set	Cylinder hole	Matt stainless steel	
		DIN LH	DIN right
Active leaf without crossbar	PC 72 mm	B-74030-10-L-8	B-74030-10-R-8
	PC 92 mm	B-74030-20-L-8	B-74030-20-R-8

B-7403 push bar according to EN 1125

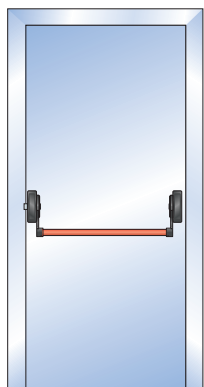
Type of set	Cylinder hole	Matt stainless steel
Passive leaf without crossbar	Without PC-hole	B-74030-00-0-8

Crossbar

Type of set	Crossbar length	Matt stainless steel
Crossbar	650 mm	B-74090-00-0-8
	1090 mm	B-74090-04-0-8
	1440 mm	B-74090-05-0-8

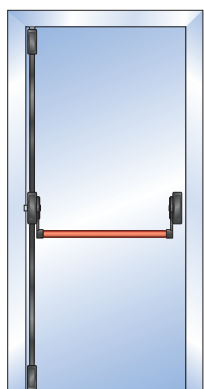
B 7130 push bar sets

Face-fixed panic exit devices according to EN 1125



Push bar with 1-point locking – without additional locking

Push bar			
For active leaf			
Cover and lever arm	Crossbar	Length	Order number
Black	Red	1150 mm	B 7130 8002
	Green		B 7130 8004
	Silver colour		B 7130 8000
Including striker			

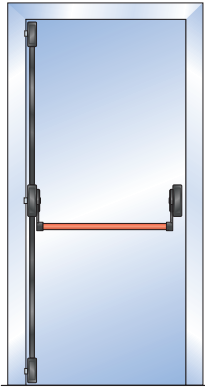


Push bar with 3-point locking – vertical locking to top and bottom

Push bar			
For active leaf			
Cover and lever arm	Crossbar	Length	Order number
Black	Red	1150 mm	B 7130 8202
	Green		B 7130 8204
	Silver colour		B 7130 8200
Including strikers and floor striker			

B 7130 push bar sets

Face-fixed panic exit devices according to EN 1125

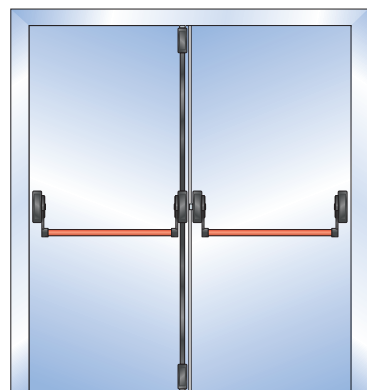


Push bar with 3-point locking – lateral locking

Push bar			
For active leaf			
Cover and lever arm	Crossbar	Length	Order number
Black	Red	1150 mm	B 7130 8302
	Green		B 7130 8304
	Silver colour		B 7130 8300
Including strikers			

B 7130 push bar sets

Face-fixed panic exit devices according to EN 1125

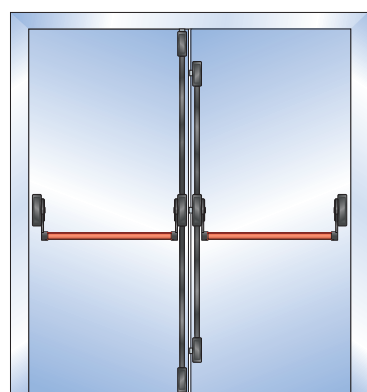


Push bar with 1-point locking on active leaf and 2-point locking on passive leaf

Push bar

For active and passive leaf				
Cover and lever arm	Crossbar	Length	Type of set	Order number
Black	Red	1150 mm	Active leaf	B 7130 8002
			Passive leaf	B 7130 8102
	Green		Active leaf	B 7130 8004
			Passive leaf	B 7130 8104
	Silver colour		Active leaf	B 7130 8000
			Passive leaf	B 7130 8100

Including strikers and floor striker



Push bar with 3-point locking on active leaf and 2-point locking on passive leaf

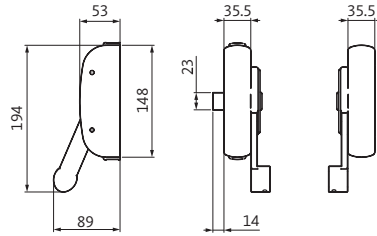
Push bar

For active and passive leaf				
Cover and lever arm	Crossbar	Length	Type of set	Order number
Black	Red	1150 mm	Active leaf	B 7130 8302
			Passive leaf	B 7130 8102
	Green		Active leaf	B 7130 8304
			Passive leaf	B 7130 8104
	Silver colour		Active leaf	B 7130 8300
			Passive leaf	B 7130 8100

Including strikers and floor striker

B 7130 push bar

Face-fixed panic exit devices according to EN 1125

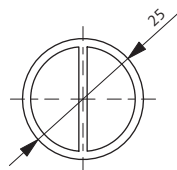
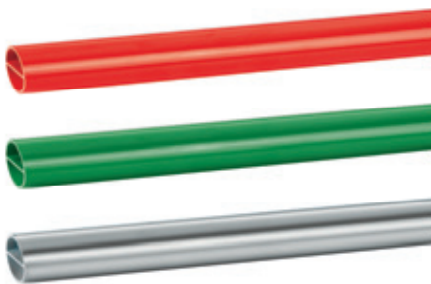


Push bar with 1-point locking – without additional locking

Push bar

For active leaf

Black	Grey	White
B 7130 1000	B 7130 1001	B 7130 1002
Including striker		



Crossbars

Crossbar

Crossbar 1150 mm

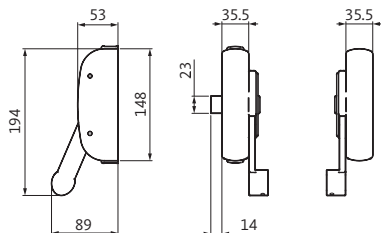
Red	Green	Silver colour
B 7130 7103	B 7130 7104	B 7130 7105

Crossbar 1450 mm

Red	Green	Silver colour
B 7130 7203	B 7130 7204	B 7130 7205

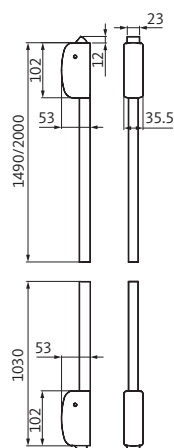
B 7130 push bar

Face-fixed panic exit devices according to EN 1125



Push bar for vertical and lateral locking

Push bar		
For active leaf		
Black	Grey	White
B 7130 1200	B 7130 1201	B 7130 1202
Including striker		

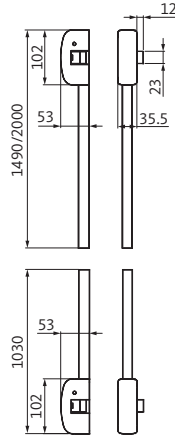


Vertical locking to top and bottom

Vertical locking to top and bottom		
1490 mm		
Black	Grey	White
B 7130 4100	B 7130 4101	B 7130 4102
2000 mm		
Black	Grey	White
B 7130 4110	B 7130 4111	B 7130 4112
Including striker and floor striker		

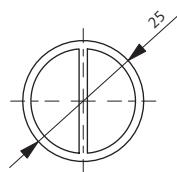
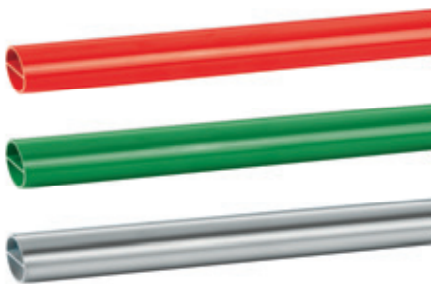
B 7130 push bar

Face-fixed panic exit devices according to EN 1125



Lateral locking

Lateral locking		
1490 mm		
Black	Grey	White
B 7130 4200	B 7130 4201	B 7130 4202
2000 mm		
Black	Grey	White
B 7130 4210	B 7130 4211	B 7130 4212
Including strikers		

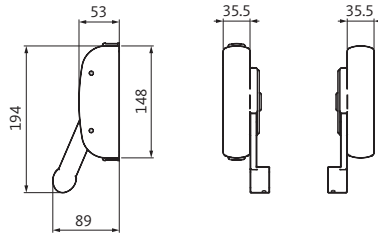


Crossbars

Crossbar		
Crossbar 1150 mm		
Red	Green	Silver colour
B 7130 7103	B 7130 7104	B 7130 7105
Crossbar 1450 mm		
Red	Green	Silver colour
B 7130 7203	B 7130 7204	B 7130 7205

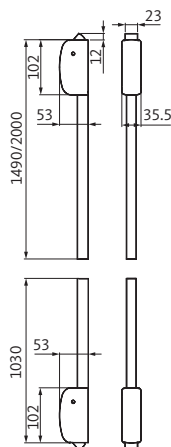
B 7130 push bar

Face-fixed panic exit devices according to EN 1125



Push bar for passive leaf

Push bar		
For passive leaf		
Black	Grey	White
B 7130 1100	B 7130 1101	B 7130 1102

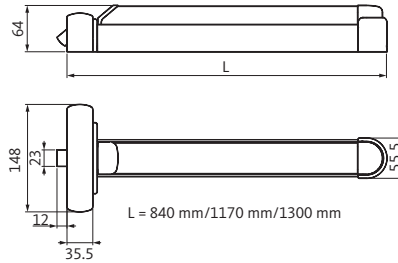


Vertical locking to top and bottom

Vertical locking to top and bottom		
1490 mm		
Black	Grey	White
B 7130 4100	B 7130 4101	B 7130 4102
2000 mm		
Black	Grey	White
B 7130 4110	B 7130 4111	B 7130 4112
Including striker and floor striker		

B 7131 touch bar

Face-fixed panic exit devices according to EN 1125



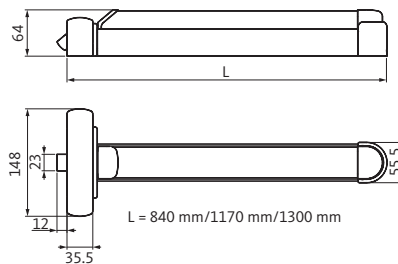
Touch bar with 1-point locking – without additional locking

Touch bar

For active leaf

Base profile	Cover profile	Length	Order number
Black	Red	840 mm	B 7131 1003
Black	Red	1170 mm	B 7131 1103
Black	Red	1300 mm	B 7131 1203
Black	Green	840 mm	B 7131 1004
Black	Green	1170 mm	B 7131 1104
Black	Green	1300 mm	B 7131 1204
Black	Silver	840 mm	B 7131 1005
Black	Silver	1170 mm	B 7131 1105
Black	Silver	1300 mm	B 7131 1205

Including striker



Touch bar

Touch bar

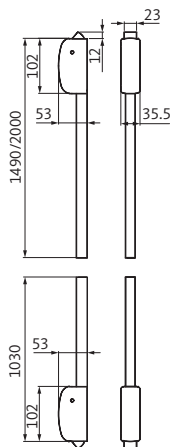
For active leaf

Base profile	Cover profile	Length	Order number
Black	Red	840 mm	B 7131 3003
Black	Red	1170 mm	B 7131 3103
Black	Red	1300 mm	B 7131 3203
Black	Green	840 mm	B 7131 3004
Black	Green	1170 mm	B 7131 3104
Black	Green	1300 mm	B 7131 3204
Black	Silver	840 mm	B 7131 3005
Black	Silver	1170 mm	B 7131 3105
Black	Silver	1300 mm	B 7131 3205

Including striker

B 7131 touch bar

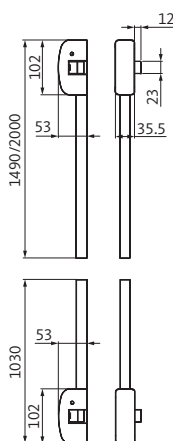
Face-fixed panic exit devices according to EN 1125



Vertical locking to top and bottom

Vertical locking to top and bottom

1490 mm		
Black	Grey	White
B 7130 4100	B 7130 4101	B 7130 4102
2000 mm		
Black	Grey	White
B 7130 4110	B 7130 4111	B 7130 4112
Including striker and floor striker		



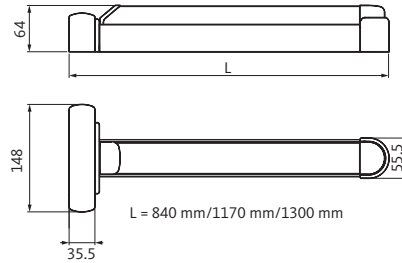
Lateral locking

Lateral locking

1490 mm		
Black	Grey	White
B 7130 4200	B 7130 4201	B 7130 4202
2000 mm		
Black	Grey	White
B 7130 4210	B 7130 4211	B 7130 4212
Including strikers		

B 7131 touch bar

Face-fixed panic exit devices according to EN 1125



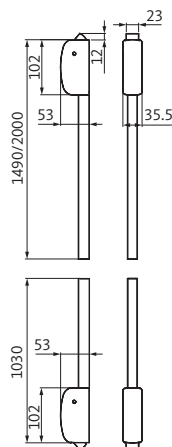
Touch bar for passive leaf

Touch bar

For passive leaf

Base profile	Cover profile	Length	Order number
Black	Red	840 mm	B 7131 2003
Black	Red	1170 mm	B 7131 2103
Black	Red	1300 mm	B 7131 2203
Black	Green	840 mm	B 7131 2004
Black	Green	1170 mm	B 7131 2104
Black	Green	1300 mm	B 7131 2204
Black	Silver	840 mm	B 7131 2005
Black	Silver	1170 mm	B 7131 2105
Black	Silver	1300 mm	B 7131 2205

Including striker



Vertical locking to top and bottom

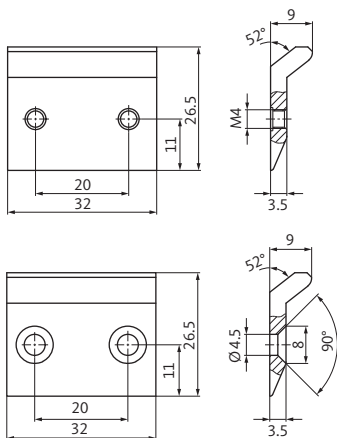
Vertical locking to top and bottom

1490 mm		
Black	Grey	White
B 7130 4100	B 7130 4101	B 7130 4102
2000 mm		
Black	Grey	White
B 7130 4110	B 7130 4111	B 7130 4112

Including striker and floor striker

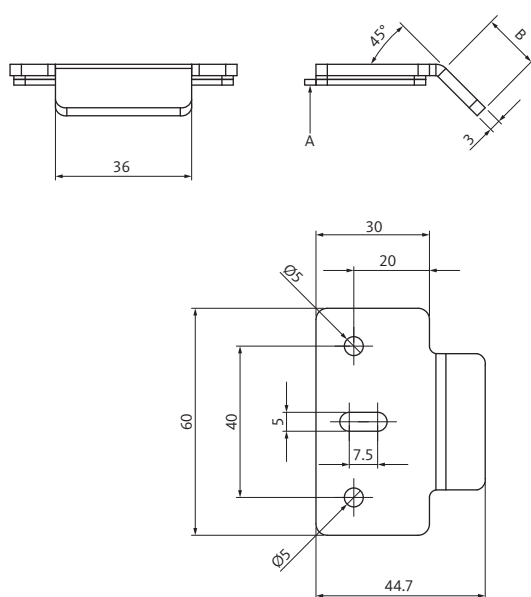
Accessories for B 7130 push bar/B 7131 touch bar

Face-fixed panic exit devices according to EN 1125



Striker for lateral top-locking

Striker
Order number
B 7130 6000

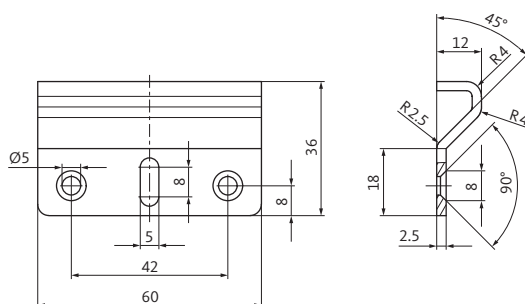


Striker for PVC

Striker			
Size	A [mm]	B [mm]	Order number
1	14-17	16.9	B 7130 6010
2	17-20	21.2	B 7130 6011
3	20-23	25.4	B 7130 6012
4	23-25	29.6	B 7130 6013

Accessories for B 7130 push bar/B 7131 touch bar

Face-fixed panic exit devices according to EN 1125

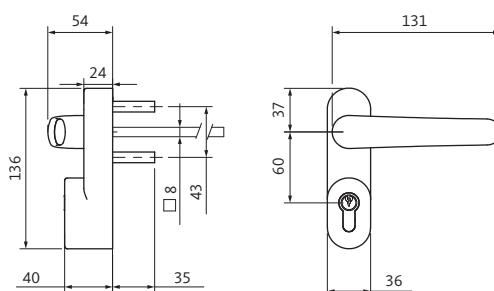


Floor striker

Floor striker

Order number

B 7130 5000



External door hardware with lever handle

External door hardware

Half set

Black	Grey	White
B 7130 3000	B 7130 3001	B 7130 3002

External door hardware with knob

External door hardware

Half set

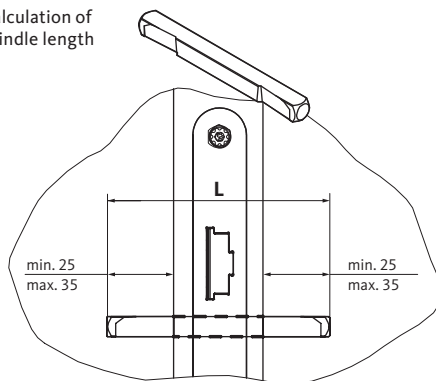
Black	Grey	White
B 7130 3010	B 7130 3011	B 7130 3012

Prepared for 31 mm cylinder length

Square spindles



Calculation of spindle length



B 7840 spindle

Spindle	
Square spindle	Order number*
8 mm	B-78400-0□-0-1
9 mm	B-78400-1□-0-1
□	Length in mm (L)
5	50 (only 9 mm square spindle)
8	65 (only 9 mm square spindle)
9	70 (only 9 mm square spindle)
B	80 (only 9 mm square spindle)
D	90 (only 9 mm square spindle)
F	100
I	115
L	130
O	145
R	160 (only 9 mm square spindle)
X	190 (only 9 mm square spindle)

***Ordering example**

B-7840 spindle

Square spindle 8 mm = B-78400-0□-0-1

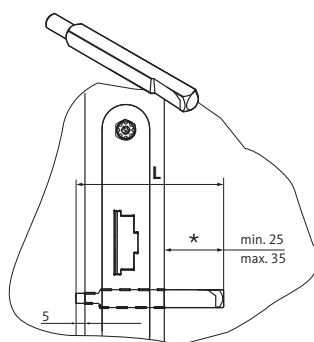
Length in mm (L) 100 mm = F [refer to table]

Length in mm (L)

B-78400-0□-0-1 = order number B-78400-0F-0-1



Calculation of spindle length



* Push bar: min. 7
max. 10

* Touch bar: min. 15
max. 20

B-7841 entrance set spindle

Entrance set spindle	
Square spindle	Order number*
8 mm	B-78410-0□-0-1
9 mm	B-78410-1□-0-1
□	Length in mm (L)
5	50 (only 9 mm square spindle)
7	60 (only 9 mm square spindle)
9	70
A	75
C	85
E	95
G	105
I	115
M	135

***Ordering example**

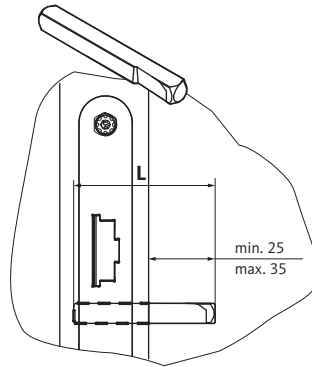
B-7841 spindle

Square spindle 8 mm = B-78410-0□-0-1

Length in mm (L) 100 mm = F [refer to table]

Length in mm (L)

B-78410-0□-0-1 = order number B-78410-0F-0-1



B-7842 half spindle

Half spindle

Square spindle	Order number*
8 mm	B-78420-0□-0-1
9 mm	B-78420-1□-0-1
□	Length in mm (L)
5	50
6	55
7	60
8	65
9	70
B	80

*Ordering example

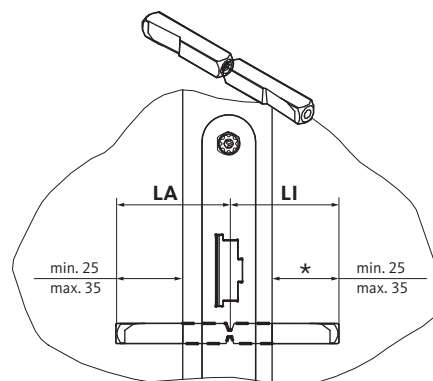
B-7840 spindle

Square spindle 8 mm = B-78420-0□-0-1

Length in mm (L) 50 mm = 5 [refer to table]

Length in mm (L)

B-78420-0 □ -0-1 = order number B-78420-05-0-1



* Push bar: min. 7
max. 10
* Touch bar: min. 15
max. 20

B-7843 split spindle

Split spindle

Square spindle		Order number*	
9 mm		B-78430-□□-0-1	
□	Length inside (LI), mm	□	Length outside (LA), mm
0	25	-	-
1	30	-	-
2	35	-	-
3	40	-	-
4	45	4	45
5	50	5	50
6	55	6	55
7	60	7	60
8	65	8	65
9	70	9	70
A	75	A	75
B	80	B	80
-	-	C	85
-	-	D	90
E	95	E	95
-	-	G	105
-	-	K	160

*Ordering example

B-7843 spindle

Square spindle 9 mm = B-78430-□□-0-1

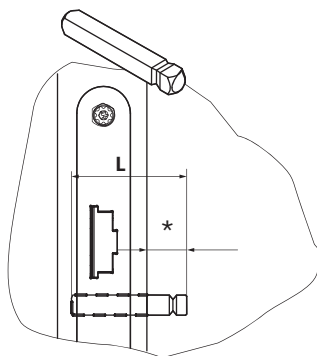
Length inside (LI) 95 mm = E [refer to table], length outside (LA) 95 mm = E [refer to table]

Length inside (LI)

Length outside (LA)

B-78430-□□-0-1 = order number B-78430-EE-0-1

Square spindles/Screws



*Push bar: min. 7
max. 10
*Touch bar: min. 15
max. 20

B-7844 special spindle

for use with push bar or touch bar

Special spindle

Square spindle	Order number*
9 mm	B-78440-1□-0-1
□	Length in mm (L)
1	30
2	35
3	40
4	45
5	48
6	55
8	65
9	70

*Ordering example

B-7840 spindle

Square spindle 8 mm = B-78420-0 □ -0-1

Length in mm (L) 50 mm = 5 [refer to table]

Length in mm (L)

B-78420-0 □ -0-1 = order number B-78420-05-0-1



B-7850 fixing screw

Fixing screw

Countersunk screw		
Dimension	Door thickness	Order number (PU = 10)
M5 x 16	–	B-78500-01-0-8
M5 x 20	–	B-78500-02-0-8
M5 x 25	–	B-78500-03-0-8
M5 x 30	–	B-78500-04-0-8
M5 x 35	37–42	B-78500-05-0-8
M5 x 40	42–52	B-78500-06-0-8
M5 x 50	52–62	B-78500-08-0-8
M5 x 60	62–72	B-78500-09-0-8
M5 x 70	72–82	B-78500-0A-0-8
M5 x 80	82–92	B-78500-0B-0-8
M5 x 90	92–102	B-78500-0C-0-8
M5 x 100	102–117	B-78500-0D-0-8
Bush		
Dimension	Order number (PU = 10)	
M5 x 30	B-78510-00-0-1	

Stainless steel countersunk screw M5 with Torx 25 drive and screw-locking system



Fixing accessories for security hardware – ES3

Fixing accessories

Designation	Door thickness, mm	Order number
Fixing accessories	39 – 54	B 7660 0070
	54 – 69	B 7660 0071
	69 – 84	B 7660 0072
	84 – 94	B 7660 0073
	94 – 114	B 7660 0078

Consisting of screws and mounting tools.
Spindles must be ordered separately!



B 9032 monitoring contact

Monitoring contact for push bar

Designation	Order number	
Monitoring contact for push bar	DIN left	B 9032 0100
	DIN right	B 9032 0101

8 m connecting cable included
Contact load: 30 V DC/100 mA

Escape door security



Escape door control units

FTNT10 escape door control units	488
FTNTAP escape door control units	490
IO10 AP/IO5 UP I/O modules	492
FTNT10/FTNT20 escape door control units	493
ST10/ST20 spring-operated key switch	493
B 5580 code keypad	493

Locking elements

Electric escape door strike	496
Magnetic locks	497

Accessories for escape door control units

On-wall housings/frames/covers	498
Power supply units/Accessories	499

Visualisation

BKS-NET panel	500
BKS-NET system software	502

System management

BKS-NET system management	504
Bus components	505

FTNT10 escape door control units



Fig. 2 section-set
(Jung AS500)



Fig. 3-section set
(Jung LS990)

FTNT10 terminal sets

Set consisting of:

- FTNT10 escape door control unit with integral emergency push-button
- ST10 spring-operated key switch
- 2-section set without power supply unit for external voltage supply (24 V DC/100 mA)
- 3-section set with integrated, in-wall power supply unit 230 V AC/24 V DC, 0.5 A for connection of one EVP lock, one magnetic lock or up to 2 electric escape door strikes
- For installation in standard flush boxes (depth 61 mm)



FTNT10 escape door control unit				
Sets	2-section AS500	3-section AS500 Including in-wall power supply unit	2-section LS990	3-section LS990 Including in-wall power supply unit
Stainless steel look	-	-	B 5580 0981	B 5580 0982
Alpine white	B 5580 0973	B 5580 0974	B 5580 0971	B 5580 0972

Locking cylinder	
Version	Order number
Profile half cylinder PZ 88 (31 mm, including 3 keys)	B 8900 0101

FTNTAP on-wall escape door control units



FTNTAP10 escape door terminal

Consisting of:

- Escape door control unit with
 - integral emergency push-button
 - integral key switch
 - integral power supply unit
100–230 V AC/24 V DC, 0.5 A

for connection of one EVP lock,
one magnetic lock or up to
2 electric escape door strikes

- Freely programmable inputs/outputs
 - number of inputs and outputs can
be extended via IO10 and IO5 I/O
modules
- Networkable via BKS-NET door bus
- Protection type: IP20
- Dimensions: 210 x 75 x 60 mm
- On-wall mounting
- For profile half cylinder
(BL = 31 mm/35 mm) or Swiss round
cylinder Ø 22 mm, 37.5 mm
(the cylinder and terminal must be
ordered separately)



FTNTAP10 on-wall escape door terminal

FTNTAP10 escape door terminal (for profile cylinder)	Material/Finish	Order number
FTNTAP10 escape door terminal (for profile cylinder)	Plastic, green	B 5580 0122
FTNTAP10 escape door terminal (for profile cylinder)	Plastic, white	B 5580 0124
FTNTAP10 escape door terminal (for profile cylinder)	Stainless steel	B 5580 0120
FTNTAP10 escape door terminal (for Swiss round cylinder)	Material/Finish	Order number
FTNTAP10 escape door terminal (for Swiss round cylinder)	Stainless steel, green	B 5580 0132
FTNTAP10 escape door terminal (for Swiss round cylinder)	Stainless steel	B 5580 0130

Escape door terminal, on-wall, IP54 (weatherproof)

Version	Material/Finish	Order number
Weatherproof escape door terminal, on-wall, IP54 (without power supply unit/control unit)	Stainless steel, green	B 5580 0350

(Note: other housing shown; also required: FTNT20 and I/O module IO5)

Locking cylinder

Version	Order number
Profile half cylinder PZ 88 (31 mm, including 3 keys)	B 8900 0101

I/O module IO10 AP/IO5 UP



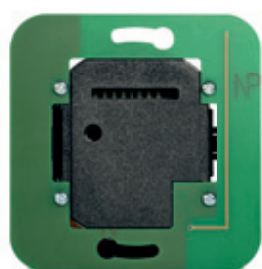
I/O module IO10 AP (on-wall)

Advantages and technical features:

- 4 freely-programmable inputs each with status LED
- 4 freely-programmable outputs each with status LED
- Up to 2 I/O modules per door (address setup via jumper)
- Connection to escape door control unit via 2-wire BKS-NET door bus
- Housing included
- Operating voltage 24 V, nominal current 100 mA
- Protection type: IP65

Each I/O module is connected to an escape door control unit via the 2-wire BKS-NET door bus. Thus, 4 additional, freely programmable inputs and outputs each are available to integrate various systems of technical building equipment (e.g. swing door drive, motor-driven lock, external signalling, video monitoring, access control, intercom).

I/O module	
Module	Order number
I/O module IO10 AP (on-wall)	B 5580 0321



I/O module IO5 UP (in-wall)

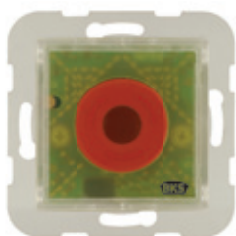
Advantages and technical features:

- 1 freely-programmable input with status LED
- 2 freely-programmable outputs each with status LED
- Connection to escape door control unit via 2-wire BKS-NET door bus
- Operating voltage 24 V, nominal current 100 mA

Each I/O module is connected to an escape door control unit via the 2-wire BKS-NET door bus. Additional freely-programmable inputs and outputs are therefore available for integration of various items of technical building equipment (e.g. swing door drive, motor-driven lock, external signalling, video monitoring, access control, intercom).

I/O module	
Module	Order number
I/O module IO5 UP (in-wall)	B 5580 0322





FTNT10/FTNT20 escape door control units

Advantages and technical features:

- Door release button next to the door (FTNT10)
- Second emergency push-button for opening both leaves (FTNT20)
- Approved in accordance with EltVTR
- For installation in standard flush boxes (61 mm depth)
- Nominal voltage: 24 V DC (– 15% + 10%)
- Nominal current consumption: 80 mA
- Protection type: IP20

Mounting adaptors for FTNT10/20 from 55 to 70 (Jung LS990)	
Version	Order number
Stainless steel look	B 5858 0083
Alpine white	B 5858 0073

FTNT10/20 accessories	
Version	Order number
Replacement cover for emergency button, plastic	B 5580 0802

Escape door control units	
Version	Order number
FTNT10 escape door control unit with integral emergency button	B 5580 0111
FTNT20 escape door control unit with integral emergency button	B 5580 0112
FT25 escape door control unit w/o emergency button, in-wall	B 5580 0115

Note: compatible with various wall switch ranges



ST10 (without LEDs)



ST20 (with LEDs)

ST10/ST20 spring-operated key switches

Advantages and technical features:

- Without LEDs (ST10 spring-operated key switch)
- With LEDs (ST20 spring-operated key switch)
- For half cylinders, length 27/31 mm
- Nominal voltage: 12–24 V DC (– 15%/+ 10%)
- Nominal current consumption: 25 mA
- Protection type: IP20
- Without locking cylinder, frame and cover

Suitable locking cylinder	
Version	Order number
Half cylinder, series 88 (31 mm, including 3 keys)	B 8900 0101

Spring-operated key switch	
Version	Order number
ST10 spring-operated key switch	B 5580 0311
ST20 spring-operated key switch	B 5580 0312

Note: locking cylinders, frames and covers must be ordered separately

Matching covers for spring-operated key switch		
Jung LS990	ST10	ST20
70 mm cover, alpine white	B 5858 0971	B 5858 0972
70 mm cover, stainless steel look	B 5858 0981	B 5858 0982
Jung AS500	ST10	ST20
55 mm cover, alpine white	B 5858 0873	B 5858 0874



B 5580 code keypad



B 5580 code keypad

Advantages and technical features:

- Code keypad as an alternative to a spring-operated key switch
- Convenient operation of the escape door control units using individual codes
- 2 relays/2 codes – one each for releasing and locking
- Voltage supply: 24 V DC \pm 10%
- Protection type: IP20
- Flush mounting; delivery for 55 mm range of switches
- Intermediate frames from 55 to 70 are required for the 70 mm range of switches (not included in delivery).

The code keypad can be connected instead of or parallel to the spring-operated key switch (ST10) to the in-wall escape door control units (FTNT10/FTNT20). The escape door is unlocked or locked using codes that are freely definable.

Code keypad

Version	Order number
Code keypad, stainless steel look	B 5580 0331
Code keypad, alpine-white	B 5580 0332



Electric escape door strikes



B 5465 electric escape door strike (type 331) – fail-safe with integrated monitoring and armature contact

The electric escape door strike is used for the electric locking of escape doors. It is used together with the FTNT10/20 escape door control unit on 2-leaf doors. In conjunction with B 5495 0010 latch lock, the electric strike locks the door additionally to the panic lock. The door can always be opened in an emergency by pressing the emergency push-button next to the door. This is always possible – even if the door leaf is loaded with a force of 5000 N. The locked status of the door is monitored by a built-in monitoring contact. The electric escape door strikes listed are approved locking elements in accordance with EltVTR.

Electric escape door strike

Version		Order number
FaFix electric escape door strike Flat striker (24 V, 160 mA)	DIN LH	B 5465 0020
	DIN RH	B 5465 0030
FaFix electric escape door strike Angled striker (24 V, 160 mA)	DIN LH	B 5465 0120
	DIN RH	B 5465 0130
Latch lock for electric escape door strike	Square	B 5495 0010
Latch lock for electric escape door strike	Round	B 5495 0011



B 5465 electric escape door strike (type 332) – fail-safe

The electric escape door strike is used for the electric locking of escape doors. It is used, for example, together with an EVP electrically-locking panic lock and the FTNT10/20 escape door control unit.

Electric escape door strike

Version	Order number
FaFix electric escape door strike	B 5465 0400
ProFix 2 electric escape door strike	B 5465 0402
Latch lock for electric escape door strikes (square)	B 5495 0010
Latch lock for electric escape door strikes (round)	B 5495 0011

Operating voltage: 24 V DC
Current consumption: 95 mA



Magnetic lock 5 kN

The magnetic lock is used for the electric locking of escape doors. It is used together with the FTNT10/20 escape door control unit. The magnetic lock locks the door in addition to the panic lock with a holding force of 5000 N. Emergency opening is always possible by pressing the emergency push-button installed next to the door. A built-in sensor measures the effective holding force, thus monitoring the locked status of the door. The magnetic locks offered are approved locking elements in accordance with EltVTR. When using a magnetic lock, we recommend using an additional door contact set (see accessories page 499).

Magnetic locks

Magnetic lock 5 kN	Order number
5 kN magnetic lock set for escape doors including armature plate, L-bracket with aluminium cover, for flush doors (24 V, 250 mA)	B 5464 0000
5 kN magnetic lock set for escape doors including armature plate, Z-bracket with aluminium cover, for flush doors (24 V, 250 mA)	B 5464 0001
Stainless steel cover for 5 kN magnetic lock (L-bracket)	B 5495 0077
Stainless steel cover for 5 kN magnetic lock (Z-bracket)	B 5495 0078



Magnetic lock 2 kN

The magnetic lock is used for the electric locking of escape doors. It is used together with the FTNT10/20 escape door control unit. The magnetic lock locks the door in addition to the panic lock with a holding force of 2000 N. The emergency opening is always possible by pressing the emergency push-button installed next to the door. A built-in sensor measures the effective holding force, thus monitoring the locked status of the door. The magnetic locks offered are approved locking elements in accordance with EltVTR. When using a magnetic lock, we recommend using an additional door contact set (see accessories page 499).

Magnetic locks

Magnetic lock 2 kN	Order number
2 kN magnetic lock set for escape doors including armature plate, L-bracket with aluminium cover, for flush doors (24 V, 250 mA)	B 5464 0010
2 kN magnetic lock set for escape doors including armature plate, Z-bracket with aluminium cover, for flush doors (24 V, 250 mA)	B 5464 0011
Stainless steel cover for 2 kN magnetic lock (L-bracket)	B 5495 0087
Stainless steel cover for 2 kN magnetic lock (Z-bracket)	B 5495 0088

On-wall housings/frames/covers



On-wall housings

On-wall housings	
Version	Order number
1-section on-wall housing, stainless steel	B 5858 0691
2-section on-wall housing, stainless steel	B 5858 0692
3-section on-wall housing, stainless steel	B 5858 0693
4-section on-wall housing, stainless steel	B 5858 0694



AS500



LS990

Frames/Covers

Frames and covers		
Frame	AS500 (55 mm)	LS990 (70 mm)
1-section frame, stainless steel look	-	B 5858 0481
2-section frame, stainless steel look	-	B 5858 0482
3-section frame, stainless steel look	-	B 5858 0483
4-section frame, stainless steel look	-	B 5858 0484
1-section frame, alpine white	B 5858 1071	B 5858 0471
2-section frame, alpine white	B 5858 1072	B 5858 0472
3-section frame, alpine white	B 5858 1073	B 5858 0473
4-section frame, alpine white	B 5858 1074	B 5858 0474
Dummy covers (e.g. for in-wall power supply unit or in-wall bus interface)	AS500 (55 mm)	LS990 (70 mm)
Dummy cover, stainless steel lock	-	B 5858 0080
Dummy cover, alpine white	B 5858 0074	B 5858 0070



Power supply units

Power supply units	
Version	Order number
Switching power supply unit with mains cable 24 V DC, 1 A	B 5494 0004
Switching power supply unit for flush mounting 24 V DC, 0.75 A	B 5494 0006
Switching power supply unit for mounting on top-hat rail 24 V DC, 4.2 A	B 5570 0401
Switching power supply unit for mounting on top-hat rail 24 V DC, 1.3 A	B 5570 0402
Housing for top-hat rail power supply units	B 5570 0411



Accessories

Accessories	
System cable	Order number
BKS-NET system cable with 2 plugs	B 5580 0812
BKS-NET system cable with 3 plugs	B 5580 0810
BKS-NET system cable with 4 plugs	B 5580 0811
Emergency-push button stickers	Order number
Set of replacement stickers for emergency-push button (10 pieces)	B 5491 0000
Programming cable	Order number
USB programming cable (for optional programming of FTNT10/20 and BK10 via the PC)	B 5580 0813
Door contact	Order number
Door contact set, white (VdS B, 6 m cable)	B 5469 0010
Installation channel set (for B 5469 0010 door contact)	B 5469 0051
Spacer set (for B 5469 0010 door contact)	B 5469 0052

BKS-NET panel



BKS-NET panel

The BKS-NET panel visualises the status of several doors in a building. An authorised operator can control every door conveniently using a finger – without mouse or keyboard.

Features and benefits provided by the BKS-NET panel:

- Visualises all door statuses of a building at a glance
- Automatically recognises all BKS-NET building bus participants
- Door control with a touch of the finger, no keyboard or mouse required
- Quick start-up: self-configuring pre-programmed software
- No extra costs for operating systems or additional servers
- Intuitive user interface
- Designed for continuous operation – no moving parts such as a hard disk or a ventilator
- Connection to BKS-NET bus interface via USB or network (TCP/IP)

Functions:

- Collective display for several doors
- Unlocking/locking of individual doors
- Locking/unlocking of door groups
- Alarm display/processing/acknowledgement
- Password-protected login, multi-step authorisation process

Technical data:

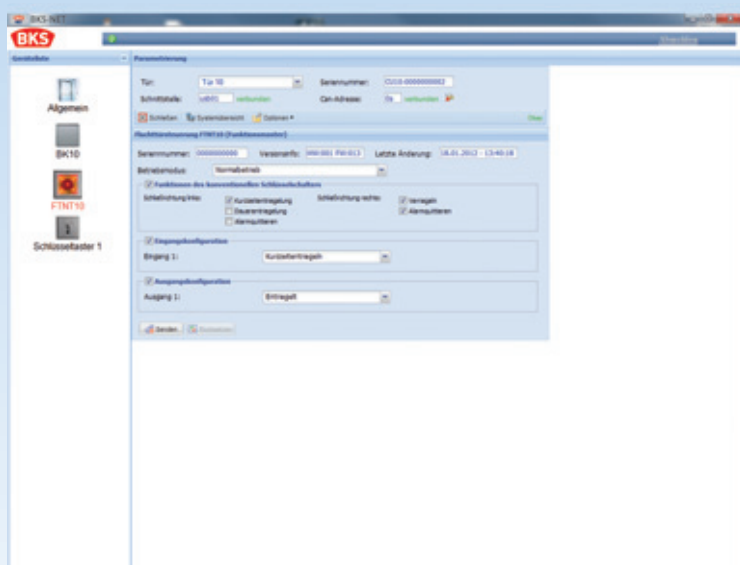
- Case dimensions: 304 x 246 x 50 mm (W x H x D)
- Power consumption: 32 W
- Protection type (front): IP64
- Display: touch screen 12.1"
- Software: pre-installed

Note:

For connecting a panel to the BKS-NET building bus, a CU10 or CE10 building bus coupler is required.

BKS-NET panel	
Product	Order number
BKS-NET panel with pre-installed software, licence included, for max. 8 doors (without collective display)	B 5580 0611
Licence upgrade for article B 5580 0611 up to max. 16 doors (incl. collective displays)	B 5580 0621
Licence upgrade for article B 5580 0611 up to max. 32 doors (incl. collective displays)	B 5580 0622
Licence upgrade for article B 5580 0611 up to max. 64 doors (incl. collective displays)	B 5580 0623

BKS-NET system software



CF10 configuration software

BKS-NET system software CF10 configuration software

All BKS-NET-capable products can be programmed and visualised via the same user interface using the BKS-NET system software. Programming and visualisation of both individual doors and complex bus systems is therefore possible via the user interface.

Advantages:

- Fully automatic recognition of all technical products connected
 - of a door
 - of an entire system
- Intuitive user interface
- Self-learning user interface
- Compatible with all BKS-NET-capable products
- Local parameter setting via USB
- Decentralised parameter setting via network (TCP/IP) or building bus

BKS-NET system software

Software products	Order number
BKS-NET system software including CF10 configuration software (CD) and USB cable	B 5580 0511





OV10 online visualisation module

BKS-NET system software OV10 online visualisation module

Advantages:

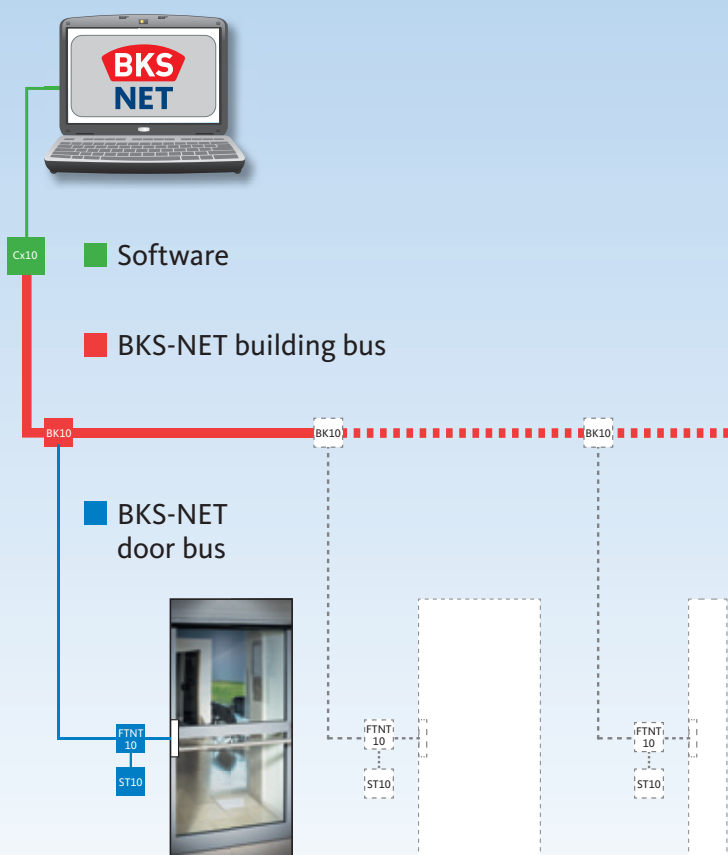
- Intuitive user interface
- Individual allocation of authorisations
- Control of all BKS-NET capable products connected
- Real-time visualisation of door statuses
- Integration of any floor plans or graphics
- Alternative to panels
- Networkable
- Definition of higher-level switching groups
- Modern browser interface

BKS-NET system software

Software products	Order number
OV10 online visualisation module Licence	B 5580 0521



BKS-NET system management



The system

BKS-NET networks the electromechanical systems of GU group using modern BUS communication, thus ensuring an automatic interplay of functions. Its modern system structure comprises centralised system configuration as well as centralised system monitoring. The main focus is always put on the door as a functional entity. All compatible products are marked with the BKS-NET logo label.

Advantages:

- Easy planning
- Little wiring effort
- Fast commissioning
- Automatic configuration
- Centralised control and visualisation
- Local and central configuration of system components

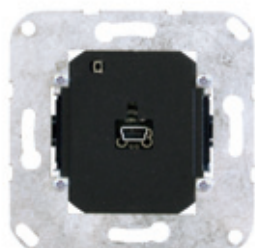
FTNT10: escape door control unit with integral emergency push-button

ST10: spring-operated key switch

BK10: bus interface

Cx10: building bus coupler





BK10 bus interface

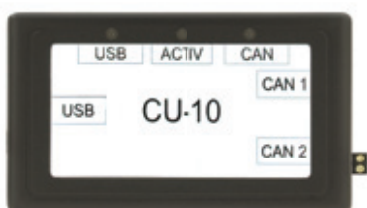
The BK10 bus interface connects the components of a door with the building bus thus enabling the creation of a networked system. It is available as an in-wall ('UP') and on-wall ('AP') version. Various dummy covers and frames are available for the in-wall version.

BK10 bus interface

Version	Order number
BK10 in-wall bus interface (without frame/cover)	B 5580 0411
BK10 on-wall bus interface (including housing)	B 5580 0412

Technical data:

- Nominal voltage: 12–24 V DC (– 15%/+ 10%)
- Nominal current consumption: 80 mA
- Protection type: IP20 (in-wall)/IP65 (on-wall)
- Max. length of door bus: 20 m



CU10/CE10 building bus coupler

The building bus is connected to a PC via the building bus coupler. The connection between the building bus and PC is established either locally via USB interface with the CU10 coupler, or remotely via Ethernet interface (TCP/IP) using the CE10 type.

CU10/CE10 building bus coupler

Version	Order number
CU10 building bus coupler (USB interface)	B 5580 0421
CE10 building bus coupler (Ethernet interface) without power supply unit – to be ordered separately	B 5580 0431
Accessories	Order number
In-wall junction box for connecting the BKS-NET building bus to CU10 or CE10, incl. cover, 1-section frame, alpine white (Jung LS990)	B 5580 0801
Repeater for BKS-NET building bus (9–36 V, 1.5 W, for mounting on top-hat rail)	B 5580 0441

Technical data:

- Nominal voltage (CE10): 12–24 V DC (– 15% +10%)
- Nominal current consumption: 75 mA (CU10)/150 mA (CE10)
- Protection type: IP30
- Max. length of building bus: 800 m
- Max. number of bus interfaces per building bus: 60



Useful information



Globe with streaks of light kindly provided by Photographer's Choice RF/Getty Images



Instructions for use

Product information

508

Product liability

Product information

510

Standards and regulations at a glance

Product information

511

The GU group worldwide

512

Successfully certified

513

Instructions for use

Product information



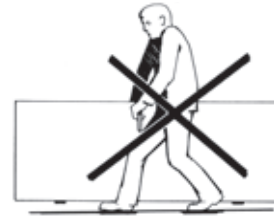
1. Do not drill through the door leaf in the area of the lock when the lock is installed.



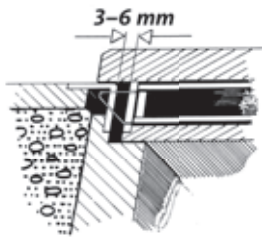
2. Do not hit the spindle through the follower by force.



3. Do not carry the door leaf by the lever handle.



4. The distance between lock faceplate and striker should be between 3 and 6 mm.



5. Do not paint over deadbolt or latch.



6. Do not apply any force to the lever handle other than in normal rotational direction. The maximum allowed force is 150 N.



7. The lock may only be operated with the appropriate key and not with foreign objects.



8. The deadbolt must not project when the door is in the open position.



9. Do not operate lever handle and key at the same time.



10. Escape door locks must not be left with the key inserted.



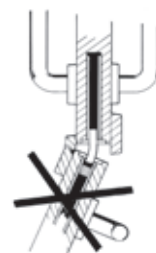
11. Panic exit devices must not be fitted with locking cylinders with knob or thumbturn.

Exception:
Locks of series 13, 18, 19 and 21

Note:
If a push bar is used, ensure unimpeded operation.

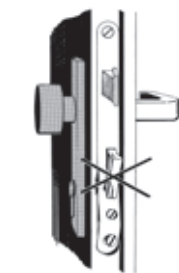


12. 2-leaf doors without double-sided panic function (full panic function) must not be forced open via the passive leaf.





13. If there are signs that the lock has been tampered with (or forced) it must be replaced immediately.



14. Locks should be greased at least once a year.



When using BKS locks and door hardware, the above instructions should be followed!

Exclusion of liability

BKS products are permanently adapted and developed to meet the growing demands of the market. We also reserve the right to make changes during the course of technical development.

Additional reasons for modification may be:

- global technical development
- alterations in the product range
- adaptation to changed laws and technical standards

The content of our documents was compiled with the greatest possible care. However, we accept no responsibility for errors or inaccuracies in relation to representation and description of the products.

Thank you for your understanding.

Product liability

Product information



According to the German Product Liability Act defining the liability of a manufacturer for his products, the following information about locks must be observed.

We as manufacturer will not accept liability for non-observance of this information.

1. Product information and intended use

The function of a lock is to keep a door shut, and to lock it. Simple lock designs serve only to shut the door. This involves keeping the door shut in such a manner that it cannot be opened by pulling or pushing and instead be opened simply and easily by pressing a lever. The lock latch – generally called latch – serves as locking element.

Securing the closed door by blocking at least one deadbolt or latchbolt which engages in the appropriate recess in the frame or latch striker, is called blocking.

The deadbolt must be blocked in the extended position to prevent it being pushed back. Moreover, opening of the door without using the appropriate key must be effectively hampered.

A door may be locked only when it is in the fully closed position.

The length of the cylinder fixing screws must be selected to match the backset dimension of the lock or cropped to the appropriate length.

A mortise lock is a lock which is inserted into a recess in the door leaf (lock recess) and fixed with screws.

The following must be observed to assure use as directed :

- The chosen locks, latch plates, door hardware, attaching elements and locking cylinders must be compatible with each other.
- Installation, maintenance and possible replacement of the lock must be carried out in accordance with the state of the art. This is documented in standards related to these products and in the manufacturers' catalogues and instructions.

With locks for escape doors and special locks, the simultaneous operation of key and door hardware (such as the lever handle) is not allowed as a rule.

Locks for escape doors and special locks may only be combined with locking cylinders featuring a so-called knurled knob (e.g. knob cylinders) if this is contractually agreed with the lock manufacturer. It is generally assumed that only key owners have the right to operate the lock; in other words, the actuation of a lock via a knob cylinder (i.e. without key) is not considered a normal case.

The simultaneous retraction of latch and deadbolt by operation of the lever handle is a special case which should not generally replace the standard key operation for withdrawing the deadbolt.

Cylinders may only be installed in locks without reservation if they comply with a dimension standard (e.g. DIN 18252), and if the locks are in turn explicitly designed for cylinders according to this standard.

In all other cases, manufacturers, dealers, fabricators or consumers of such locks must ensure that the chosen cylinders are suitable for installation and the intended use.

Mandatory legal regulations and manufacturer's instructions must be observed. For example, no cylinders with knob, knurled knob or similar handle must be installed in panic locks.

General terms, if not explained in catalogues, brochures, price lists or on the internet, are defined in the standards relevant for these products (such as DIN 18250, DIN 18251, DIN 18252, DIN 18255, DIN 18257, DIN 18273, EN 179, EN 1125, EN 1303, EN 1906, EN 12209). Deviations from the particular relevant standard must be specified in the order.

2. Misuse

Misuse, non-intended use of locks, occurs for example if

- the flawless use is prevented by inserting foreign objects into the lock or striker.
- the lock or striker are manipulated in such a way that changes their design or function.
- the deadbolt is extended to prevent the door from closing.
- the function of the locking elements is hindered as a result of improper assembly or subsequent treatment (e.g. painting).
- a load is applied to the lever handle which exceeds the normal force applied by hand.
- unsuitable, e.g. dimensionally deviating or incorrect keys are used.
- the specified clearance increases or decreases as a result of hinge readjustments or lowering of the door leaf.
- a double-leaf door is opened by the passive leaf although not designed and approved for this.
- objects or extremities are put between the door leaf and frame when the door closes.
- activating the lever and the key simultaneously.

3. Product performance

Technical requirements other than those determined in our catalogues, brochures, price lists or performance specifications, etc. must be agreed with us.

In this context, the relevant standards serve as guidelines (for example, DIN 18250, DIN 18251, DIN 18252, DIN 18255, DIN 18257, DIN 18273, EN 179, EN 1125, EN 1303, EN 1906, EN 12209).

These standards define basic and additional requirements.

The serviceability of locks also depends on the operating frequency, operating method, environmental effects and maintenance.

Lock, striker, door hardware, locking cylinder and keys must be replaced as soon as problems occur despite proper maintenance.

This also applies after attempts to break locks and their accessories forcefully (burglary attempts).

4. Product maintenance

Locks must be lubricated with suitable lubricants at least once a year, or more frequently depending on the wear. Door hardware, striker and locking cylinder must be inspected for proper condition and attachment. Only detergent not containing corrosive ingredients may be used.

5. Duty to inform and to instruct

In order to comply with the duties to provide information and instruction prescribed by the German Product Liability Act, the following documents and services are made available to specialist dealers, locksmiths, architects, planners, fabricators and end users upon request:

- catalogues, brochures
- tender specifications, quotation documents, key combination records
- the relevant standards, e.g. DIN 18250, DIN 18251, DIN 18252, DIN 18255, DIN 18257, DIN 18273, EN 179, EN 1125, EN 1303, EN 1906, EN 12209 (exclusive distribution by Beuth Verlag GmbH, Berlin 30)
- instructions for installation, operation and maintenance

For the selection, installation, operation, and maintenance of locks and hardware:

- architects and planners are obliged to request and observe all required product information from us.
- specialist dealers are obliged to observe product information and references in the price lists and to specifically request all necessary instructions from us and forward these to the fabricators.
- fabricators are obliged to observe all product information and specifically request operating and maintenance instructions from us and forward these to the clients and users.



For doors and door-related products, a whole range of standards and directives exists. The most important (European) standards are:

DIN 107

Building construction; identification of right and left side

DIN 1080, part 1

Definitions, symbols and units in civil engineering, basics

DIN 4102, parts 5 and 18

Part 5: Fire behaviour of building materials and components; fire barriers, barriers in lift wells and fire-resistant glazing systems

Part 18: Fire behaviour of building materials and components; fire barriers; attestation of the quality 'self-locking' (durability test)

DIN 18055

Windows; joint impermeability, resistance to driving rain and to mechanical stress; specifications and tests

DIN 18082, parts 1 and 3

Part 1: Fire barriers, steel doors T30-1, type A

Part 3: Fire barriers, steel doors T30-1, type B

DIN 18095, parts 1 and 2

Part 1: Doors; smoke control doors; terms and requirements

Part 2: Doors; smoke protection doors; type testing for operational reliability and leakage

DIN 18100

Doors; wall openings for doors; dimensions according to DIN 4172

DIN 18101

Doors; doors for residential buildings; sizes of door leaves, position of hinges and lock, interdependence of dimensions

DIN 18111, part 1

Door frames, steel door frames, standard door frames for rebated doors in masonry

DIN 18250

Mortise locks for fire rated doors

DIN 18251

Locks; mortise locks for doors

DIN 18252

Locking cylinders for door locks; definitions, designations

DIN 18255

Architectural hardware; lever handles, backplates and rosettes – terms, dimensions, requirements

DIN 18257

Building hardware; security hardware – terms, dimensions, requirements, tests and markings

DIN 18273

Architectural hardware: lever handle units for fire and smoke protection doors – concepts and definitions, dimensions, requirements and testing

DIN 18357

German construction contract procedures (VOB), part C: General technical specifications in construction contracts (ATV) – mounting of door and window hardware

DIN 18361

German construction contract procedures (VOB), part C: General technical specifications in construction contracts (ATV) – glazing work

DIN 68706 Part 1

Interior doors of timber and timber materials, plywood doors, terms, preferential dimensions, structural features

EN 179

Emergency exit devices operated by a lever handle or push pad

EN 1125

Panic exit devices operated by a horizontal bar

EN 1154

Controlled door closing devices

EN 1303

Architectural hardware – locking cylinders for locks – requirements and test methods

EN 1627

Windows, doors, shutters – burglar inhibition – requirements and classification

EN 1628

Windows, doors, shutters – burglar resistance – test method for the determination of resistance under static loading

EN 1629

Windows, doors and shutters – burglar resistance – test method for the determination of resistance under dynamic loading

EN 1630

Windows, doors, shutters – burglar resistance – test method for the determination of resistance to manual burglary attempts

EN 1634, parts 1 and 3

Fire resistance tests for door assemblies and barriers

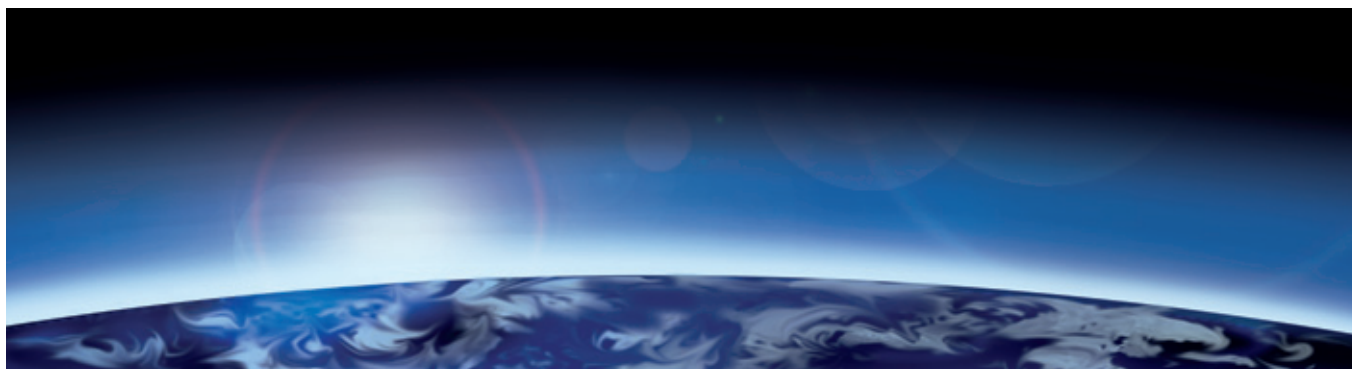
Part 1: Fire barriers

Part 3: Smoke control doors and shutters

EN 1906

Architectural hardware, lever handles and door knobs – requirements and test methods

The GU group worldwide



Production

Germany:

Gretsch-Unitas GmbH
Baubeschläge
BKS GmbH
GU Automatic GmbH
ela-soft GmbH

France:

FERCO International
S.A.S.

Slovak Republic:

GU Slovensko S.R.O.

Sales

Albania
Argentina
Australia
Austria
Bahrain
Belgium
Bosnia-Herzegovina
Brazil
Bulgaria
Canada
Chile
China
Croatia
Cyprus
Czech Republic
Denmark
Estonia
Finland
France
Germany
Greece
Hungary
India
Indonesia
Iran
Ireland
Israel
Italy
Japan
Kazakhstan
Kuwait
Latvia
Lithuania
Macedonia
Malaysia
Mexico
Moldova
Netherlands
Norway
Oman
Poland
Portugal
Qatar
Romania
Russia
Saudi Arabia
Serbia
Singapore
Slovak Republic
Slovenia
South Korea
Spain
Sweden
Switzerland
Thailand
Turkey
Ukraine
United Arab Emirates
United Kingdom
USA
Vietnam



Quality: GU and BKS successfully certified

EN ISO 9001:2008 defines a company's structural, operational and quality management requirements.

In 1995, the AGQS e.V. accreditation association certified successful implementation by Gretsch-Unitas GmbH Baubeschläge of a quality control system in compliance with EN ISO 9001:2008.

GU is committed to manufacturing high-quality hardware. The certification programme also confirms that the internal company processes – from development right through to sales and customer service – coincide with this concern.



Overall table of contents



General information

Table of contents 5

Modern escape and rescue routes

Interplay of components 6

Make 1 out of 4 – and 4 out of 1

Self-locking panic lock of series 19 8

Motor-driven shoot-bolt lock

For double-leaf doors 10

Door hardware and handles for windows

and sliding elements 12

Door closers with slide rail

The innovative modular system of the OTS 73x series 14

Centralised control and visualisation

Building bus for system management 16

More than just products

Construction Products Regulation (CPR) 18

Service, planning, seminars 20

Ordering made easy

Your guide to using the catalogue 22

Materials and finishes 24

Explanation of pictographs 25

Technical information

Table of contents 27

Standards at a glance

Doors in escape and rescue routes

in accordance with EN 179 and EN 1125 28

On the safe side with GU group products 30

Marking in accordance with the CPR 31

Functional descriptions

Motor-driven shoot-bolt lock 32

Double-acting panic function 36

Single-acting panic function 37

Panic function – for outward-opening doors 38

Panic function – for inward-opening doors 39

Panic function B 40

Panic function C 41

Panic function D 42

Panic function E 43

Panic function P 44

Top-locking on active and passive leaf 45

Adjustable roller latch/End caps for U-faceplates 46

Jamming of 2-leaf doors/Swiss round cylinder 47

Reversible latch series 18/reversible latchbolt series 19 48

Reversible panic function series 18/series 19 49

Latch holdback series 18/series 19 49

Wiring diagrams

Lock monitoring – series 18 50

Lock monitoring – series 19 51

Lock monitoring – B 1956/B 1959 motor-driven locks 52

Lock status monitoring –

B-197x / B-198x electrically coupled locks 53

SECURY 19 EK 1970/1971 – electrically coupled

multi point locks or with monitoring contacts 54

A-opener set – for SECURY multi point locks 55

Lock and door hardware combinations

Single-leaf doors with standard function.....	57
Double-leaf doors with standard function.....	58
Single-leaf doors with panic function to EN 179.....	59
Single-leaf doors with panic function to EN 1125.....	61
Double-leaf doors with panic function to EN 179.....	63
Double-leaf doors with panic function to EN 1125.....	66
Combination RNE 100.....	70
Combination RNEO 400.....	74
Combination RNE 120.....	78
Combination RNEO 420.....	82
Combination RNZA 150.....	86
Combination RNZO 150.....	90
Combination RNZA 180.....	94
Combination RPE 100.....	98
Combination RPEO 400.....	102
Combination RPES 100.....	106
Combination RPE 120.....	110
Combination RPE 210.....	114
Combination RPEO 420.....	118
Combination RPES 120.....	122
Combination RPE 105.....	126
Combination RPEO 405.....	130
Combination RPES 105.....	134
Combination RPE 125.....	138
Combination RPEO 425.....	142
Combination RPES 125.....	146
Combination RPZA 110.....	150
Combination RPZA 110-M.....	154
Combination RPZO 110.....	158
Combination RPZAS 110.....	162
Combination RPZA 170.....	166
Combination RPZA 170-M.....	170
Combination RPZO 170.....	174
Combination RPZA 210.....	178
Combination RPZAS 170.....	182
Combination RPZA 115.....	186
Combination RPZA 115-M.....	190
Combination RPZO 115.....	194
Combination RPZAS 115.....	198
Combination RPZA 175.....	202
Combination RPZA 175-M.....	206
Combination RPZO 175.....	210
Combination RPZAS 175.....	214

Special applications

Higher-mounted panic hardware on the passive leaf.....	218
Higher-mounted panic hardware on the active leaf.....	219
Escape door locking.....	220
Kindergarten solution.....	221
Automatic door function.....	222
Escape door locking – for double-leaf doors.....	223
Kindergarten solution – for double-leaf doors.....	224
Automatic door function – for double-leaf doors.....	225

Overall table of contents



Locks and multi-points locks

Overview	227
Product characteristics	228

Manual-locking locking systems – mortise locks

0007 narrow stile lock	232
1205 narrow stile lock	234
1205H sliding-door lock	236
1205SRH sliding-door lock	238

Manual locking locking systems – mortise locks – series 13

B 1300 narrow stile lock	240
B 1300 roller latch lock	242
B 1305 roller latch lock	244
B 1307 latch lock	246
B 1308 deadbolt lock	248
B 1308 rounded-deadbolt lock	250
B 1311 fire protection door lock	252
B 1314 narrow stile lock	254
B 1315 roller latch lock	256
B 1316 panic lock	258
B 1325 roller latch lock	260
B 1327 latch lock	262
B 1328 deadbolt lock	264

Manual locking locking systems – mortise locks – series 14

1425 security lock	266
1426 security lock	268
1427 security lock	270

Manual locking locking systems – mortise locks – series 18

B-1828 fire protection door lock	272
B-1838 fire protection door lock	274
B-1839 fire protection door lock	276

Manual-locking locking systems – mortise locks with panic function – series 18

B 1793 shoot-bolt lock	278
B 1794 shoot-bolt lock	280
B-1820 panic lock	282
B-1821 panic lock	284
B-1822 panic lock	286
B-1823 panic lock	288
B-1824 panic lock	290
B-1825 panic lock	292
B-1826 panic lock	294
B-1827 panic lock	296
B-1830 panic lock	298
B-1831 panic lock	300
B-1832 panic lock	302
B-1833 panic lock	304
B-1834 panic lock	306
B-1835 panic lock	308
B-1836 panic lock	310

B-1837 panic lock	312
B-1840 panic lock	314
B-1841 panic lock	316
B-1842 panic lock	318
B-1843 panic lock	320
B-1844 panic lock	322
B-1845 panic lock	324
B-1846 panic lock	326
B-1847 panic lock	328
B-1848 panic deadbolt lock	330
B-1849 panic deadbolt lock	332
B-1866 panic lock	334
B-1890 shoot-bolt lock	336
B-1891 shoot-bolt lock	338
B-1892 shoot-bolt lock	340
B-1893 motor-driven shoot-bolt lock	342
B-1896 shoot-bolt lock	344

Self-locking locking systems – mortise locks, series 19

B-1975 electrically coupled lock	346
----------------------------------	-----

Self-locking locking systems – mortise locks with panic function, series 19

B-1900 panic lock	348
B-1901 panic lock	350
B-1902 panic lock	352
B-1903 panic lock	354
B-1906 panic lock	356
B-1907 panic lock	358
B-1910 panic lock	360
B-1911 panic lock	362
B-1912 panic lock	364
B-1913 panic lock	366
B-1916 panic lock	368
B-1917 panic lock	370
B-1920 EVP electrically-locking panic lock	372
B-1926 EVP electrically-locking panic lock	374
B 1956 motor-driven panic lock	376
B 1959 motor-driven panic lock	378
B-1970 electrically coupled panic lock	380
B-1971 electrically coupled panic lock	382
B-1980 electrically coupled panic lock	384
B-1981 electrically coupled panic lock	386
B-1990 shoot-bolt lock	388
B-1993 motor-driven shoot-bolt lock	390

Self-locking locking systems –

multi-point locks with panic function – series 19

SECURY 1910	392
SECURY 1911	394
SECURY 1916	396
SECURY 1919	398
SECURY 1966	400
SECURY 1967	402
SECURY 1970 EK	404
SECURY 1971 EK	406
SECURY 1916 EVP/SECURY 1916 S EVP.....	408

Accessories – locks

B 1595 passive-leaf control lock.....	410
B 1795/B 1796 spring-operated top latch	411
B 1895 passive-leaf control lock/8642 carrier bar MNK.....	412
B-1898 shoot-bolt	413
B 1899 lever-operated shoot-bolt lock/B 1798 remote lock ...	414
SECURY 19 faceplate extension/torque screwdriver.....	415

Accessories – strikers

S401 angled striker/S491 striker	416
S491 striker	417
B-9000 flat striker	420
B-9000 flat striker/B-9000 lipped striker	421
B-9000 lipped striker/6-37368 flat striker	422
B-9000/9-49431 lipped striker	423
6-38426 deadbolt monitoring contact/B 9000 latch striker....	424
B 9000 striker for electric strike/B 9000 deadbolt striker.....	425
B 9000 lipped striker	426
Strikers	427
B 9000 lipped striker/B 9000 flat striker.....	428
B 9000 U-striker/B 9000 lipped striker	429
Strikers for PVC profiles	430
Profile guard plate/Deadbolt cover	435

Accessories – miscellaneous

B 9006 vertical rod.....	436
B 9006/B 9036 vertical rod	437
B 9009/B-0028 floor striker	438
B 9003 floor striker/B 9019 guide plate for vertical rod	439
GU-BKS electric strike ET 8	440
GU-BKS electric strike ET 8 METÖ	442
Controller/RWA control unit/Emergency power backup	444
I/O module	445
Radio transmitter/Radio receiver.....	446
Handheld radio transmitter	447
B 5465 electric escape door strike	448
SECUREconnect.....	449
Cable links	450
Monitoring contacts	451
Monitoring contacts/Emergency power backup.....	452
Connecting cable/A-opener.....	453

Door hardware for escape doors to EN 1125

Table of contents	455
Electrically-locking Touch Bar EVT	456
B-7441 touch bar.....	458
B-7443 touch bar with short backplate	460
B-7400 push bar with backplate	462
B-7401 push bar	464
B-7402 cranked push bar.....	466
B-7403 cranked push bar with backplate.....	468
B 7130 push bar sets.....	470
B 7130 push bar	473
B 7131 touch bar	477
Accessories for B 7130 push bar/B 7131 touch bar	480

Accessories – door hardware

Square spindles/Screws	482
Mounting hardware/B 9032 monitoring contact for push bar. .	485

Escape door security

Table of contents	487
-------------------------	-----

Escape door control units

FTNT10 escape door control units.....	488
FTNTAP on-wall escape door control units	490
I/O module IO10 AP/IO5 UP.....	492
FTNT10/FTNT20 escape door control units	493
ST10/ST20 spring-operated key switches.....	493
B 5580 code keypad.....	494

Locking elements

Electric escape door strikes.....	496
Magnetic locks	497

Accessories for escape door control units

On-wall housings/frames/covers	498
Power supply units/Accessories.....	499

Visualisation

BKS-NET panel	500
BKS-NET system software	502

System management

BKS-NET system management	504
Bus components.....	505

Useful information

Table of contents	507
Instructions for use	508
Product liability	510
Standards and regulations at a glance.....	511
The GU group worldwide.....	512
Successfully certified.....	513
Exclusion of liability/Copyright notice/Image credits.....	518

Exclusion of liability/Copyright notice/Image credits



Exclusion of liability

The information provided in this catalogue consists of product descriptions. This is general information based on our experience and tests and therefore does not take any specific application into account. No claims for compensation can be made on the basis of the product descriptions.

Although we have made every attempt to ensure the information provided here is accurate, it is non-binding. It should be adapted to the respective construction projects, usage and specific on-site demands.

The catalogue has been compiled to the best of our knowledge. The Gretsch-Unitas Group accepts no liability for any errors. The document is subject to modifications during the course of technical developments.

The product images shown in the catalogue may differ from the actual product.

Copyright notice

© All illustrations and texts in this catalogue are protected by copyright. Unless otherwise stated in the image credits, the rights belong to the Gretsch-Unitas Group. Any use of copyright protected materials without the consent of the holder of the rights is prohibited.

Image credits

Page 2: With kind permission of kab Planungsbüro für Bauleistungen GmbH, Fellbach

Page 14: Person photo: Little girl running kindly provided by Rubberball collection, Nicole Hill/Getty Images

Page 18: Modern architect's desk kindly provided by Collection E+/Getty Images

Page 454: With kind permission of Landesmesse Stuttgart GmbH

Page 506: Globe with streaks of light kindly provided by Photographer's Choice RF/Getty Images

Publisher

Gretsch-Unitas GmbH Baubeschläge

Johann-Maus-Str. 3

D-71254 Ditzingen, Germany

Tel. +49 (0) 71 56 3 01-0

Fax +49 (0) 71 56 3 01-2 93

www.g-u.com



WINDOW TECHNOLOGY
DOOR TECHNOLOGY
AUTOMATIC ENTRANCE SYSTEMS
BUILDING MANAGEMENT SYSTEMS

Gretsch-Unitas GmbH
Baubeschläge
Johann-Maus-Str. 3
D-71254 Ditzingen
Tel. + 49 (0) 7156 301-0
Fax + 49 (0) 7156 301-77980

BKS GmbH
Heidestr. 71
D-42549 Velbert
Tel. + 49 (0) 2051 201-0
Fax + 49 (0) 2051 201-9733

www.g-u.com

WP02016-04-2-1 04/22018

Securing technology for you

