

1-leaf Panic			
Item	Description	Part no.	Remark
1I	Multi-point lock GU-SECURY Automatic panic E prepared for A-opener	Flat faceplate = 16, 20, 24 U-faceplate = 24 x 6, 24 x 8 Backset BS = 35, 40, 45, 50, 55 Hole distance HD = 92 (PC) Hole distance HD = 94 (RC) Follower □ 9 See order catalogue System solutions for narrow stile doors	
1L	Multi-point lock GU-SECURY Automatic double bolt E prepared for A-opener		
6A	Multi-point lock SECURY 19 prepared for A-opener		
6E	Multi-point lock SECURY 19 EK, SECURY 19, Locks with monitoring contacts, prepared for A-opener		
6G	Multi-point lock SECURY 19 EVP prepared for A-opener		
6U	Multi-point lock SECURY 19 Automatic double bolt prepared for A-opener		
14A	Panic lock series 18 B-18XXX		
14C	Panic lock series 18 Locks with monitoring contacts ,B-18XXX		
15B	Panic lock series 19 B-19XXX		
15O	Panic lock series 19 Locks with monitoring contacts, B-19XXX		
Panic lock series 18 / Series 19 / SECURY 19			
8.1A	L&D striker (6 mm high) depending on profile	6-34554-XX	
8.1B	L&D striker (6 mm high) depending on profile	6-38444-XX	
8.1C	L&D striker (5 mm high) depending on profile	6-38016-XX	
9.1A	Striker (5 mm high) depending on profile	6-38017-XX	
9.1B	Striker with concealed adjustment for Automatic-DR	6-40007-XX	
43A	EVP lipped L&D striker	Profile-specific versions see profile-specific installation drawing.	
65C	Escape door strike B 5465	B 5465 XXXX	
GU-SECURY Automatic panic			
120A	Panic L&D striker (6 mm high) depending on profile	6-32960-XX	
120B	Panic L&D striker (6 mm high) depending on profile	6-32960-1A	
124A	Panic striker (6 mm high) depending on profile	6-32978-XX	
124B	Panic striker (6 mm high) depending on profile	6-32978-1A	

2-leaf Panic					
Item	Description	Part no.	Remark		
6C	Multi-point lock SECURY 19 prepared for A-opener	Flat faceplate = 16, 20, 24 U-faceplate = 24 x 6, 24 x 8 Backset BS = 35, 40, 45, 50, 55 Hole distance HD = 92 (PC) Hole distance HD = 94 (RC) Follower □ 9 See order catalogue System solutions for narrow stile doors			
6F	Multi-point lock SECURY 19 EK, SECURY 19, Locks with monitoring contacts, prepared for A-opener				
14B	Panic lock series 18 B-18XXX				
14D	Panic lock series 18 Locks with monitoring contacts, B-18XXX				
15E	Panic lock series 19 B-19XXX				
15P	Panic lock series 19 Locks with monitoring contacts, B-19XXX				
14T	Shoot-bolt lock B-1890			B-18900-XX	
15A	Shoot-bolt lock B-1990			B-19900-XX	Use a shoot-bolt lock with RSK monitoring contact for latchbolt monitoring.
20B	Passive-leaf control lock B 1895			B 1895 00XX	
23	Lever-operated shoot-bolt lock 1899			B 1899 0331	
27	Guide plate for vertical rod B 9019	B 9019 0001			
29A	Floor striker B-0028	B-00280-00			
29B	Floor striker B 9009	B 9009 0001			
30A	Solid vertical rod	Rod length			
		437	B 9006 0001		
		687	B 9006 0002		
		937	B 9006 0003		
		1187	B 9006 0004		
		1487	B 9006 0005		
		1987	B 9006 0006		
		2487	B 9006 0007		
		2987	B 9006 0008		
		30B	B 9006 vertical rod	Rod length	
450	B 9006 0009				
700	B 9006 0010				
760	B 9006 0018				
1200	B 9006 0012				
1500	B 9006 0013				
2000	B 9006 0014				
2500	B 9006 0015				
3000	B 9006 0016				
33A	Striker			6-35579-XX	
34A	Striker for GU system threshold	6-39094-XX			
92A	L&D striker (6 mm high) depending on profile	6-34554-1A			
92B	L&D striker (6 mm high) depending on profile	6-38444-1A			
93A	Striker (6 mm high) depending on profile	6-34553-00			

Accessories					
Item	Description	Part no.	Remark		
47	Floor striker	K-19192-XX			
62	Cover plate for latchbolt	9-40010-00			
51A	Striker with monitoring contact	(available on request)			
63A	Deadbolt cover	9-48553-03			
64A	Deadbolt cover	9-39033-00			
65C	Escape door strike	B 5465-0402			
76	A-opener kit (universal)	K-18153-01			
77	Cable link, detachable, concealed	See order catalogue			
78	Cable link Accessories	See order catalogue			
79A	SECUREconnect 50 set	B-55600-20			
79B	SECUREconnect 200 set	B-55600-34			
80	SECUREconnect faceplate (frame-side) for PVC	6-35513-XX			
81A	SECUREconnect faceplate	9-45903-XX			
81B	SECUREconnect with controller and swarf guard	See order catalogue			
83	House entrance door hinge GU G 816 F 100	See order catalogue			
83A	House entrance door hinge GU R 816 3D	See order catalogue			
95A	Narrow stile lever set with rosettes (PC)	B-7203X-11			
95B	Push bar	B-7402X-XX			
95C	Touch bar	B-7441X-XX			
95D	Electrically-locking Touch Bar EVT	B-7442X-XX			
95E	Push bar	B-74030-XX			
97	Carrier bar	K-17897-01	See installation instructions 0.46521 or installation drawing.		
		K-17897-02			
		K-17897-03			
98	Run-up block	K-18871-XX			
104A	Top extension piece	9-48687-XX			
105A	Bottom extension piece	9-48686-XX			
106A	Split spindle	B-78430-XX			
106B	Split spindle	B-78430-XX			
106C	Split spindle	B-78430-XX			
106D	Split spindle (inward-opening)	B-78430-XX			
107A	Special spindle	B-78440-XX			
107B	Special spindle	B-78440-XX			
107C	Special spindle	B-78440-XX			
107D	Special spindle	B-78440-XX			
108A	Half spindle	B-78420-XX			
108B	Half spindle	B-78420-XX			
108C	Half spindle (inward-opening)	B-78420-XX			
109A	Fixing screw	B-78500-XX			
121A	Round knob	B-72220-60			
121B	Round knob	B-72340-61			
129	Extension SECURITY 19 / 20 x 3	300	6-39410-07		
		300	6-39410-13		
		300	6-39410-14		
		300	6-39410-15		
		500	6-39411-07		
		500	6-39411-13		
		500	6-39411-14		
		500	6-39411-15		
		800	6-39412-07		
		800	6-39412-13		
		800	6-39412-14		
		800	6-39412-15		
		130	Extension GU-SECURY Automatic panic / 16 x 2,5	300	6-39410-01
				300	6-39410-06
				300	6-39410-10
300	6-39410-12				
300	6-39410-14				
300	6-39410-15				
300	6-39410-16				
300	6-39410-23				
500	6-39411-01				
500	6-39411-06				
500	6-39411-10				
500	6-39411-12				
500	6-39411-14				
500	6-39411-15				
500	6-39411-16				
500	6-39411-23				
800	6-39412-01				
800	6-39412-06				
800	6-39412-10				
800	6-39412-12				
800	6-39412-14				
800	6-39412-15				
800	6-39412-16				
800	6-39412-23				
132A	Crossbar	B 7100 XXXX			
132B	Crossbar	B-74090-XX			
138	Connecting cable	B 5490 0300			
139	Extension GU-SECURY Automatic double bolt panic 24	300	6-40673-12		
		300	6-40673-15		
		500	6-40743-01		
		500	6-40743-06		
		500	6-40743-12		
		500	6-40743-15		
139	Extension GU-SECURY Automatic double bolt panic 24	500	6-40743-06		
		500	6-40743-12		
		500	6-40743-15		
		800	6-40744-12		
139	Extension GU-SECURY Automatic double bolt panic 24	800	6-40744-12		
		800	6-40744-15		
		800	6-40744-12		
		800	6-40744-15		

For commissioning of BKS multi-point locks according to EN 179 and EN 1125 the following points must be observed:

- The security features of this product are essential for its conformity with EN 179 and EN 1125. Except for the changes described in these instructions, no other changes whatsoever to the door lock are permitted.
- The strikers listed above must be used exclusively.
- For operating the lock in accordance with EN 1125, only the panic push bar types (HD=92 PC / HD=94 RC) B-7402X-XX, B-7100X-XX may be used, and the panic touch bar B-7441X-XX. Exterior hardware with certificate of compliance with DIN 18273 may be used.
- For operating the lock in accordance with EN 179, only the following hardware types may be used: DO 20.10.01 (BKS) / DO 20.2.01 (Lothar Löffler) / DO 20.1.01 and DO 20.1.02 (ECO Schulte) / DO 20.3.01 and DO 20.3.02 (FSB) / DO 20.12.01 and DO 20.12.02 (Vieler) / DO 20.13.01 and DO 20.13.02 (Hewi) / DO 20.26.01 and DO 20.26.02 (Grundmann) / DO 20.4.01 and DO 20.4.02 (DORMA) / DO 20.21.01 and DO 20.21.02 (Glutz) / DO 20.x.01 and DO 20.x.02 (HOPPE) / DO 20.18.01 and DO 20.18.02 (NORMBAU) / DO 20.31.01 and DO 20.31.02 (KABA) / DO 20.32 (HAFI) / DO 20.52 (EVVA) / DO 20.4.01, DO 20.4.02, DO 20.32.01 and DO 20.32.02 (Häfele) / DO 20.33.01 and DO 20.33.02 (Karcher GmbH) / DO 20.14 (Hewi) / DO 20.34.01 (SLS) / DO 20.55 (SimonsVoss) / DO 20.16 (Edi). Please observe the instructions for installing the hardware.
- If the lock is used on fire protection doors with general technical approval, it is necessary to use fire rated hardware marked 'FS' (see DIN 18273).
- If the lock is used on smoke protection doors with general technical approval, it is necessary to use hardware marked 'RD' (see DIN 18273).
- The operating instructions for the door locks SECURY Automatic, SECURY 19, series 18, series 19 including accessories and for the panic hardware must be observed.
- We recommend that the following maintenance work be performed by the operator or a commissioned third party at intervals not longer than a month:
 - Inspecting and operating the emergency exit device to verify that all of its components are in a proper and operable condition.
 - Verifying that the locking element(s) move(s) freely.
 - The additional latchbolts must project into the strikers freely at any time.
 - The responsibility for durable and secure hardware fixing lies with the fabricator!

Lock version	Rotation angle of follower
Series 18	28°
Series 19	28°
SECURY 19	28°
GU-SECURY Automatic BS 33/35	37°
GU-SECURY Automatic BS ≥ 40	27°
Shoot-bolt lock	40°

Attention!
The three-dimensional depictions of the hardware components are not true to scale.

Attention!
For profile cylinders with 90° locking cam position: after the installation the cam must point to the hinge-side.
With the key withdrawn, the locking cam position must comply with DIN 18252.

Attention!
For installation and connection advice (especially regarding the cable run) see SECURY 19 EK instructions

Attention!
For lock installation (especially regarding the reversion of the latch) see installation instructions C59841030. Please note: Remove installation aid before installation!

The profile sections shown are non-committal suggestions.

All conventional profile cylinders according to DIN 18252 can be used. (No freewheel cylinder required.)

The product guidelines of the profile manufacturer regarding construction, assembly, max. sash/leaf dimensions, max. sash/leaf weights and material qualities (e.g. linear profile expansion) are to be observed.

AX = axis
V = lock position (depending on profile)
ELD = exterior leaf dimension
IH = Installation height
BS = Backset
HD = Hole distance

The specified fixing screws are a recommendation based on our experience.
The responsibility for the appropriate fastening of hardware components lies with the window and door fabricator.

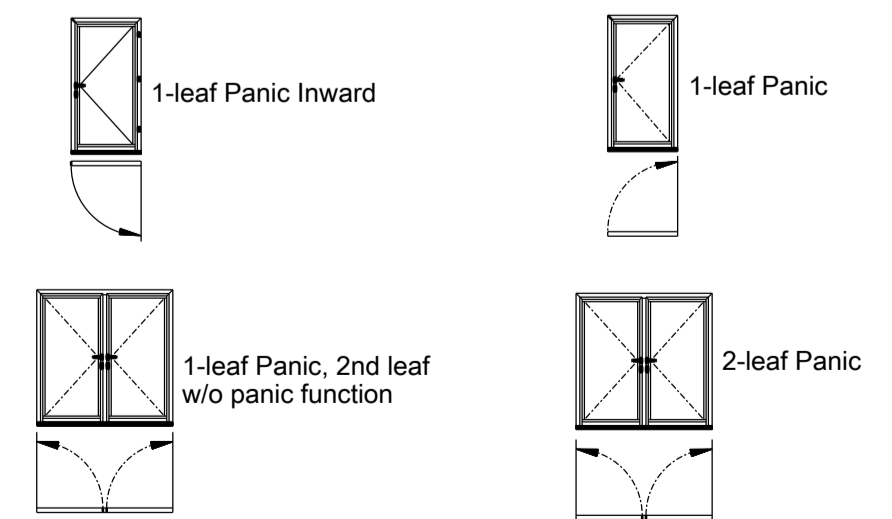
Use fixing screws max. Ø4.2 to install the SECURY multi-point lock.

Use fixing screws max. Ø 4.5 to install SECURY accessories.

Do not use drilling screws to fasten the multi-point lock because drilling chips might enter the lock!

ELD min. 1000* min. 800* x 2300*
max. 1100 x 2300*
*depending on dimension X and the profile

Sheet 2	Series 18
Sheet 3	Series 19
Sheet 4	SECURY 19
Sheet 5	SECURY 19 Sectional views
Sheet 6	series 18 / series 19 / SECURY 19 Handles
Sheet 7	GU-SECURY Automatic panic
Sheet 8	GU-SECURY Automatic panic Handles
Sheet 9	Accessories

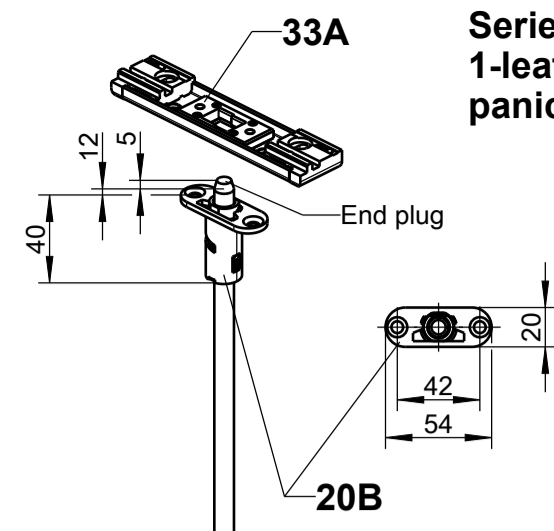


The documents accompanying this product were issued when the product was manufactured. Do not use them for other products. If you have any questions, please contact your distributor. The documents are subject to change without notice.

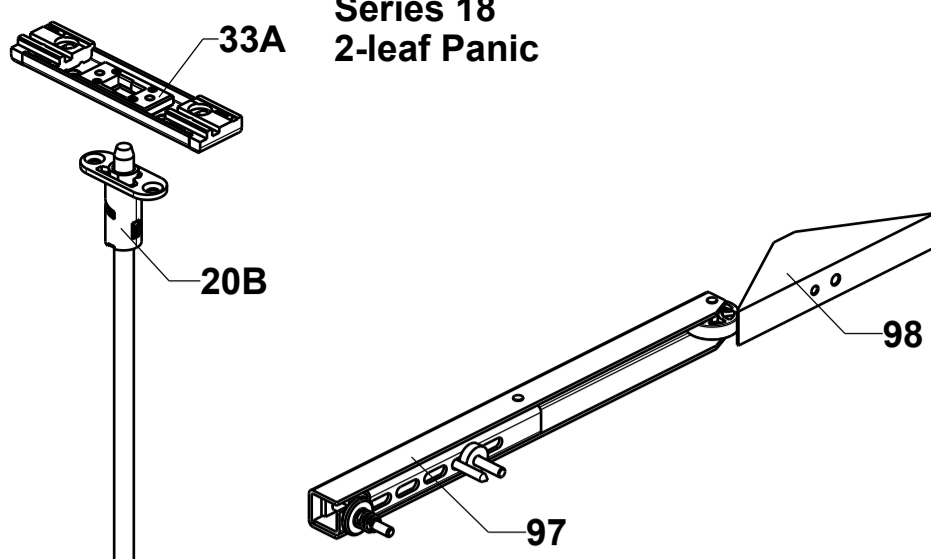
Proprietar drepturilor de autor: GU-SECUR.

EN, FR, ES, RU

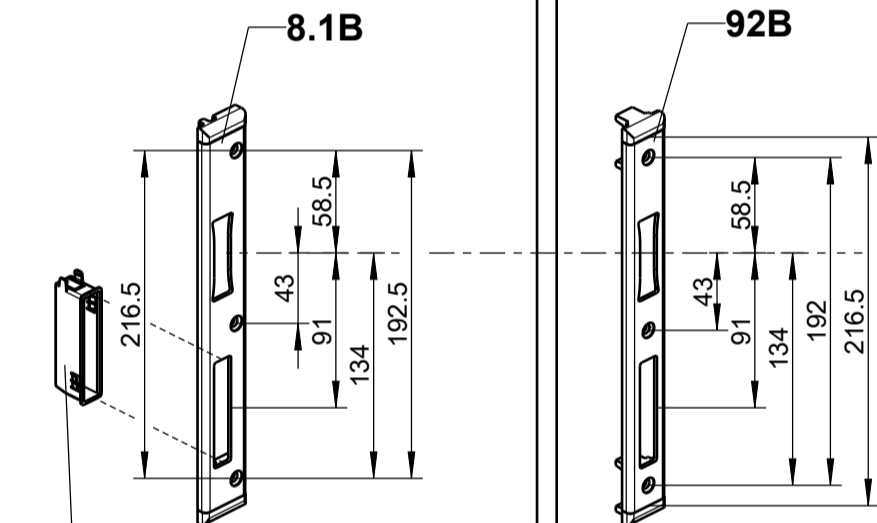
**Series 18
1-leaf Panic**



**Series 18
1-leaf Panic, 2nd leaf w/o
panic function**



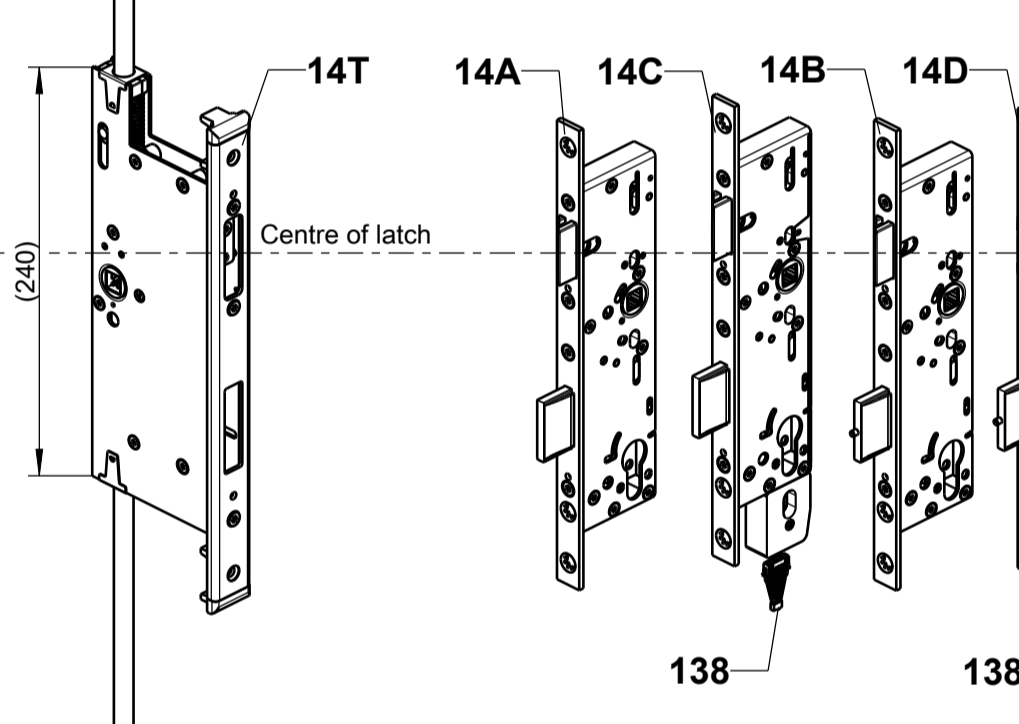
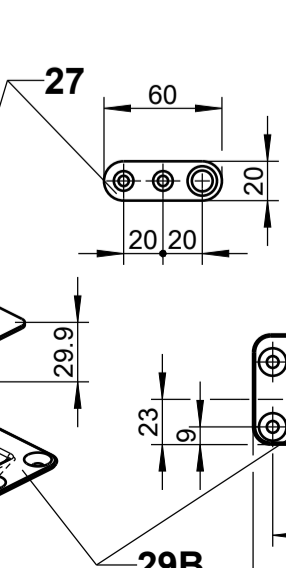
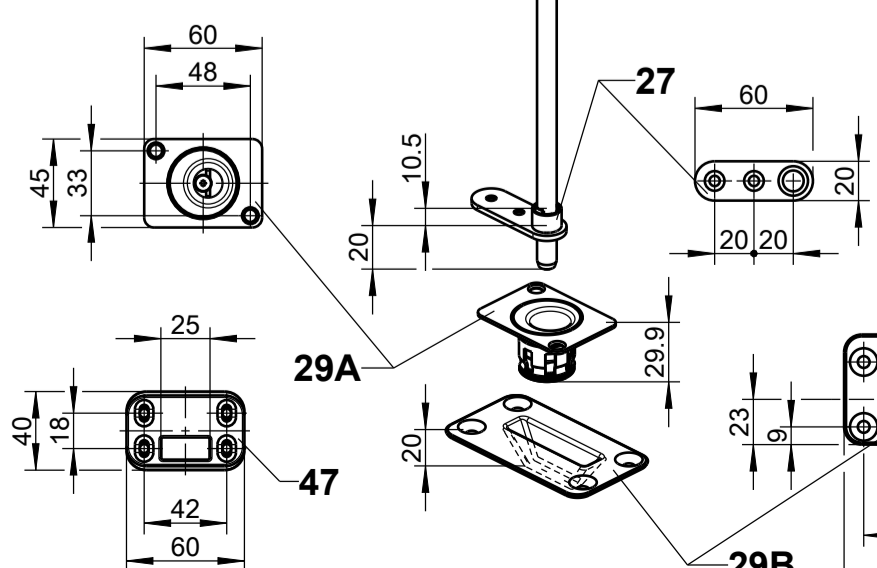
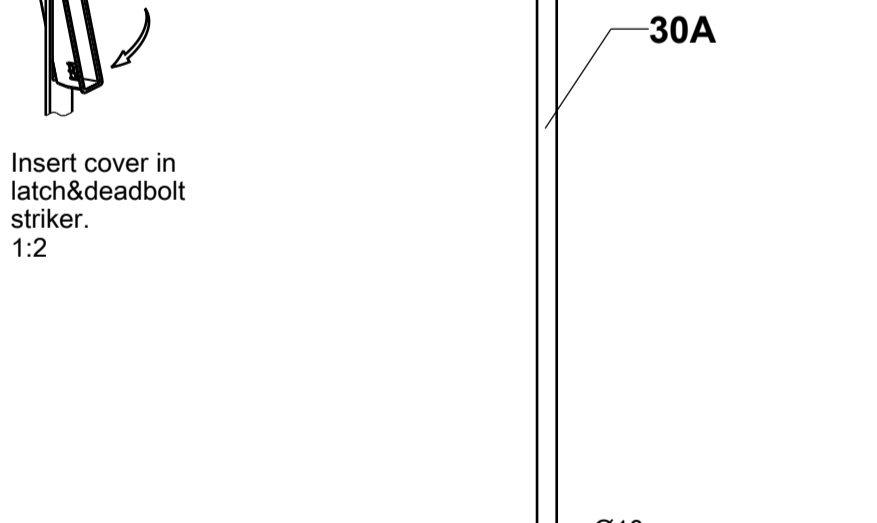
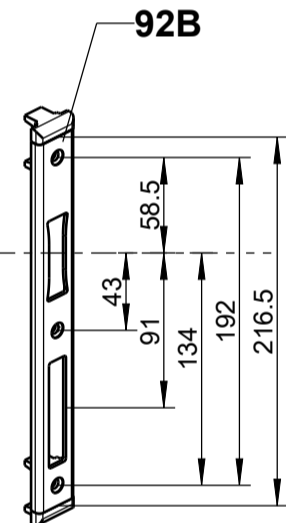
**Series 18
2-leaf Panic**



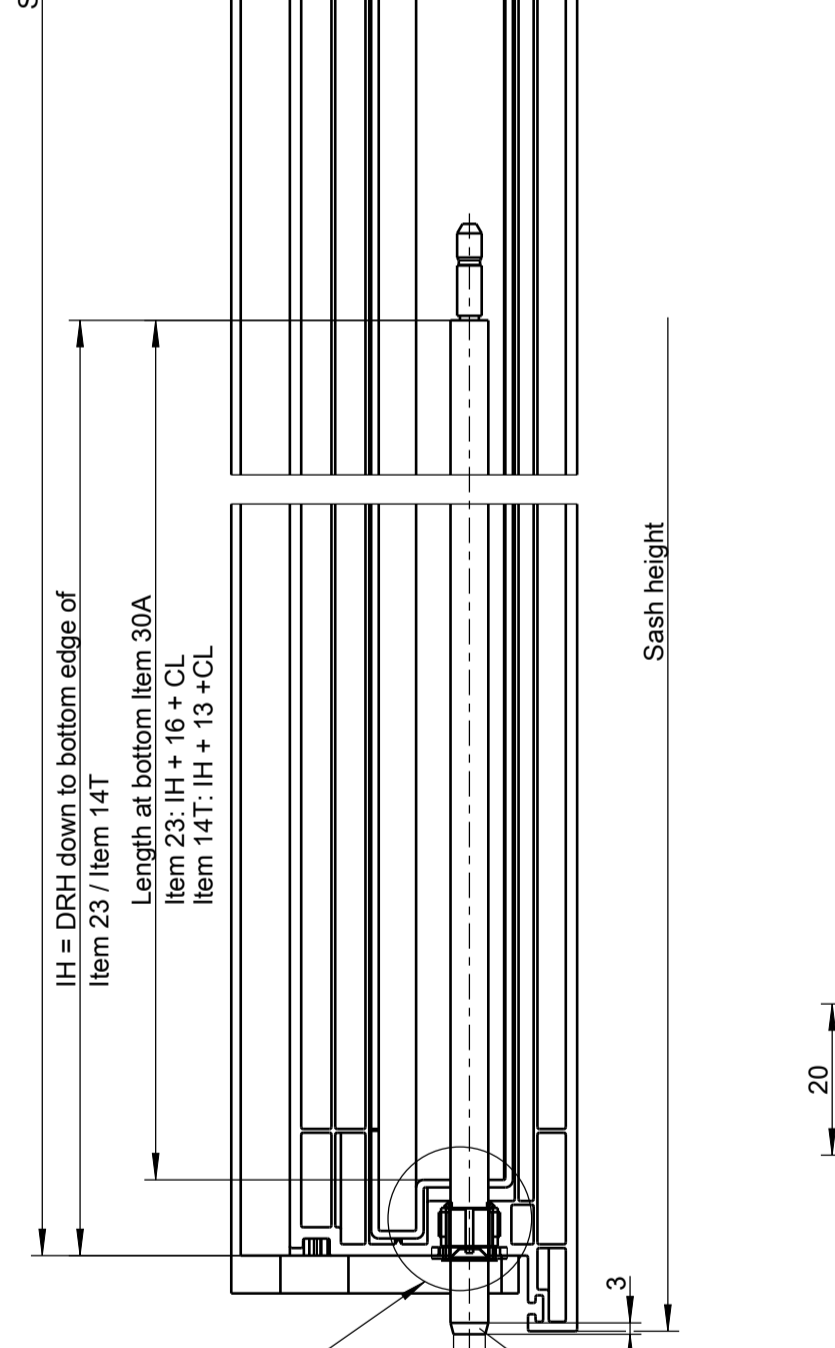
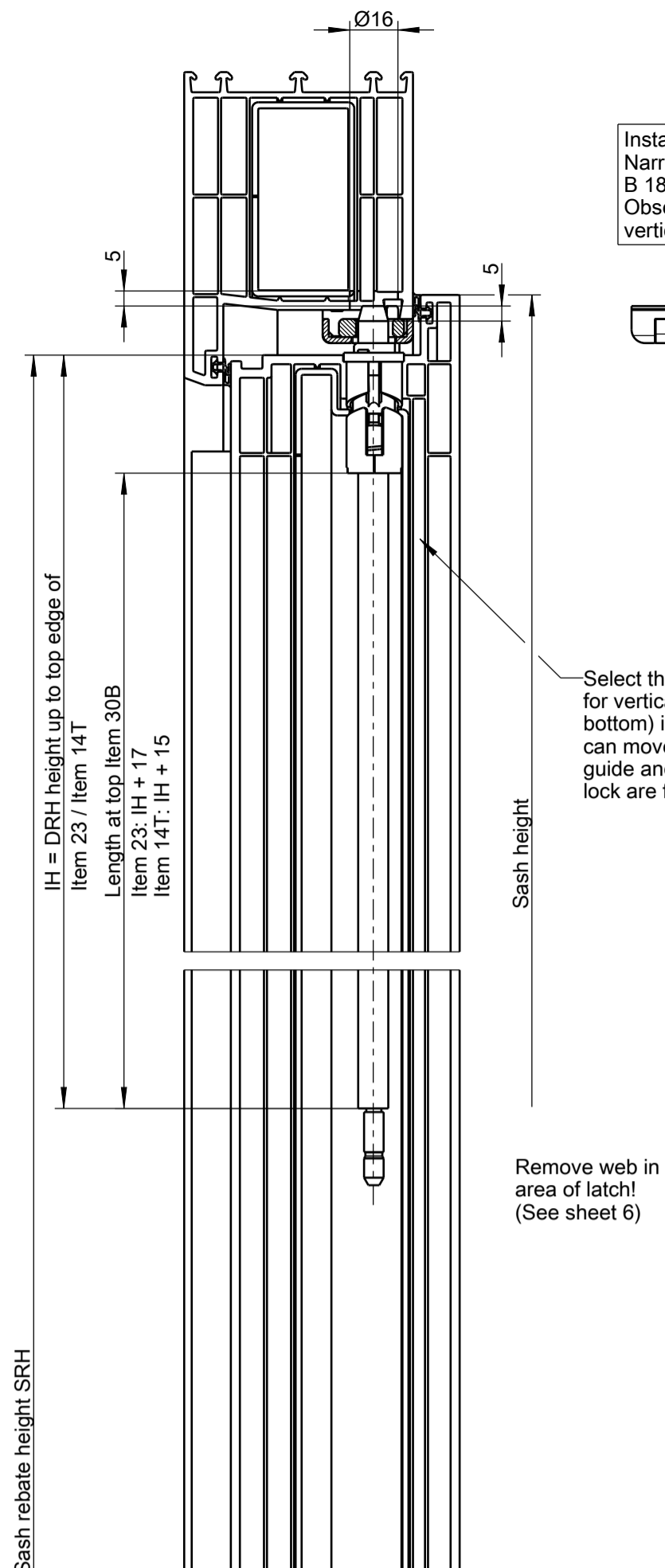
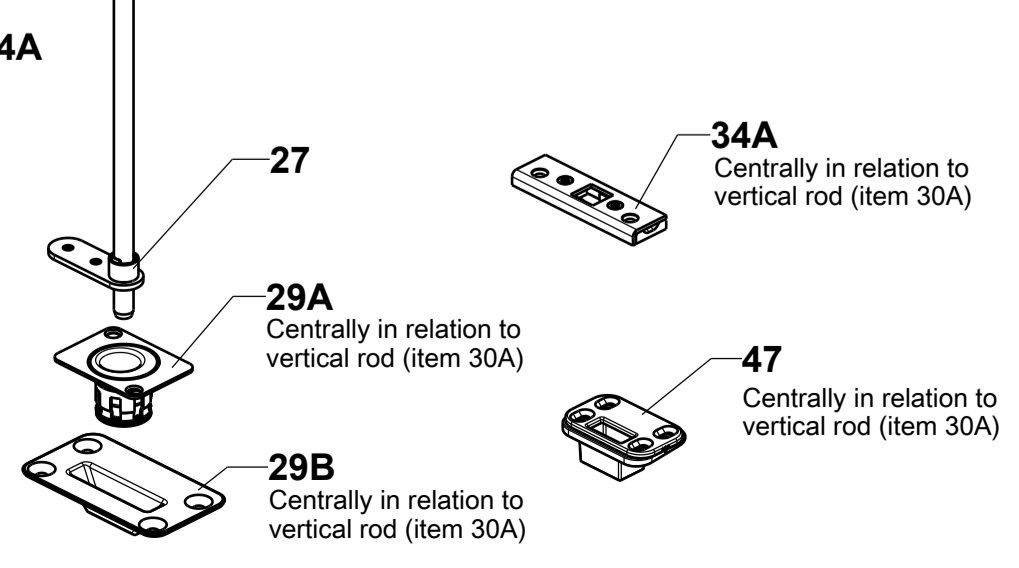
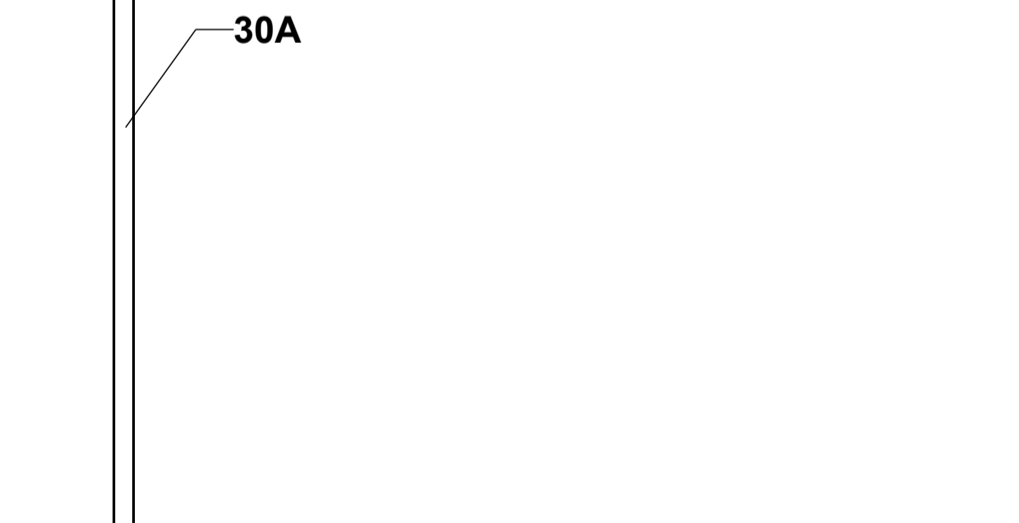
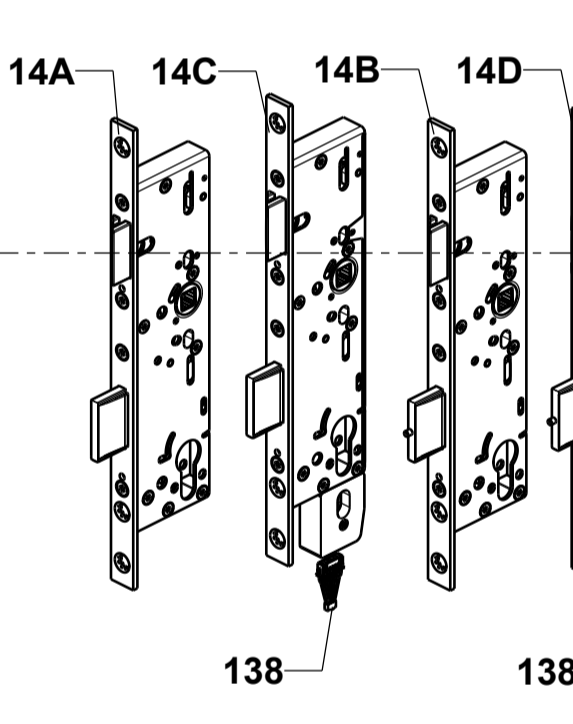
Deadbolt cover
9-48553-03
(Item 63A)



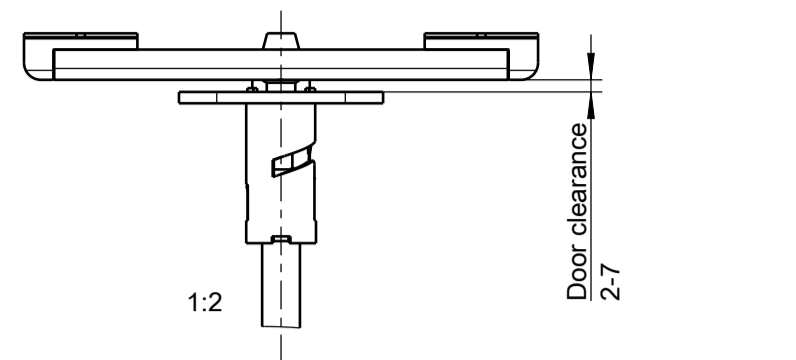
Insert cover in
latch & deadbolt
striker.
1:2



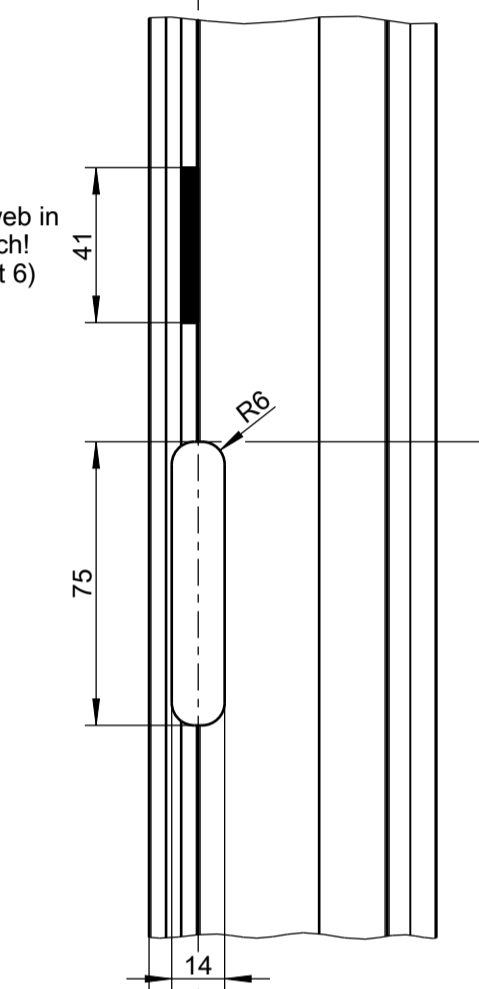
**Series 18
1-leaf Panic**



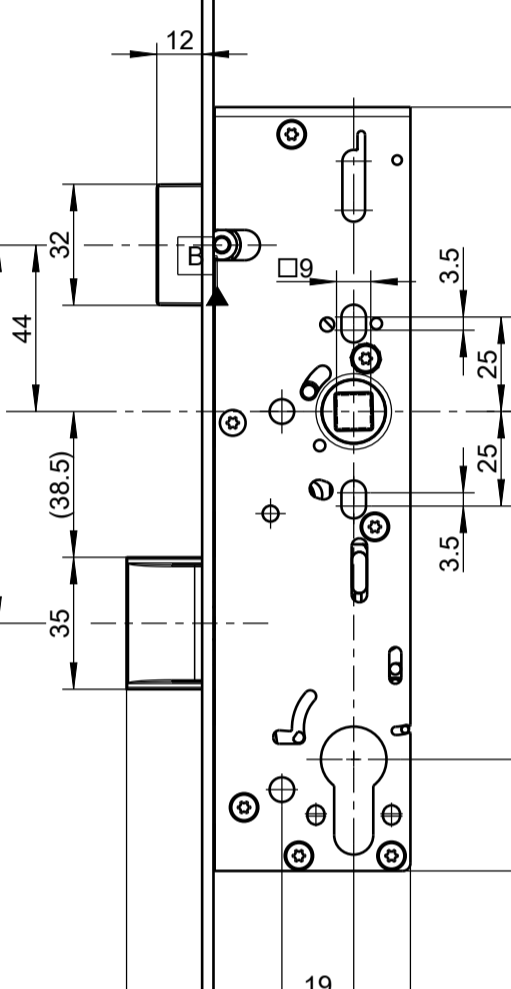
Installation and operating instructions:
Narrow stile locks: C59841030
B 1899 lever-operated shoot-bolt lock: C59838000
Observe the instructions for determining the
vertical rod length.



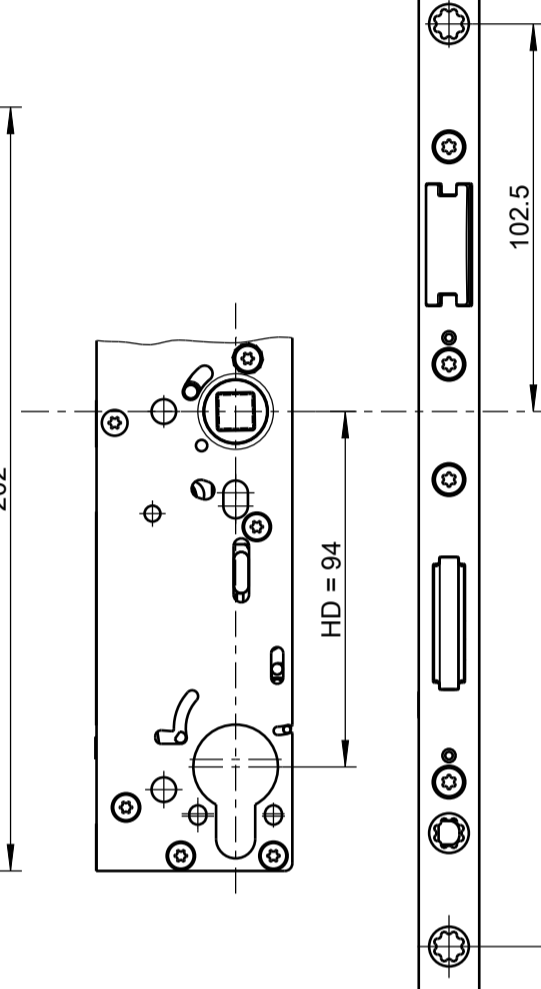
**Frame milling for L&D
striker**



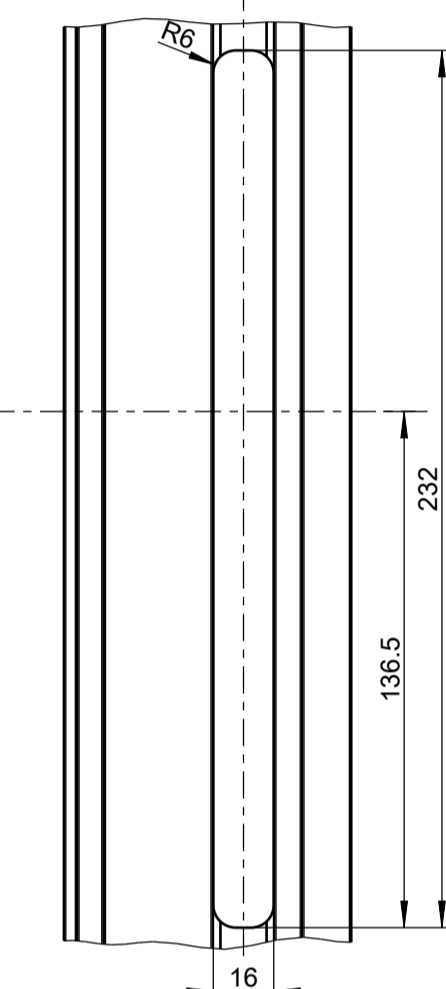
**Lock case series 18
with PC hole**



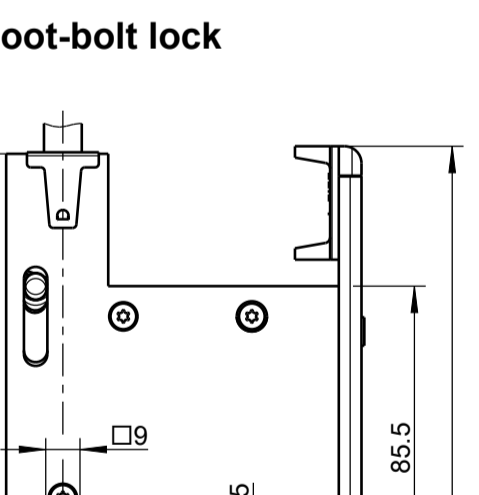
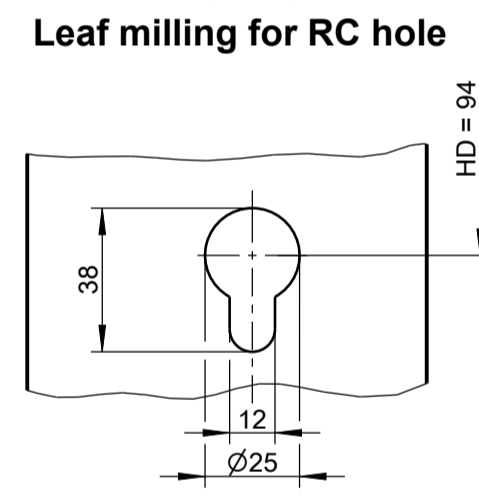
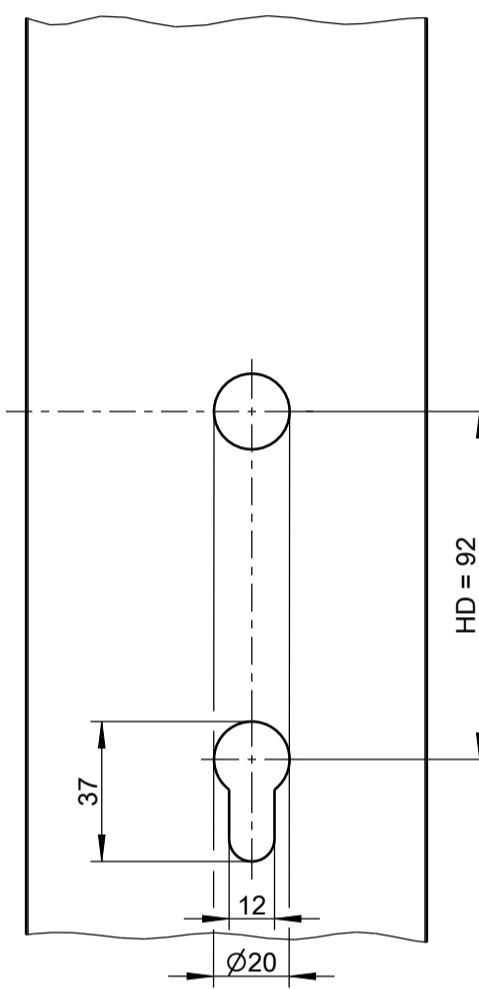
**Lock case series 18
with RC hole**



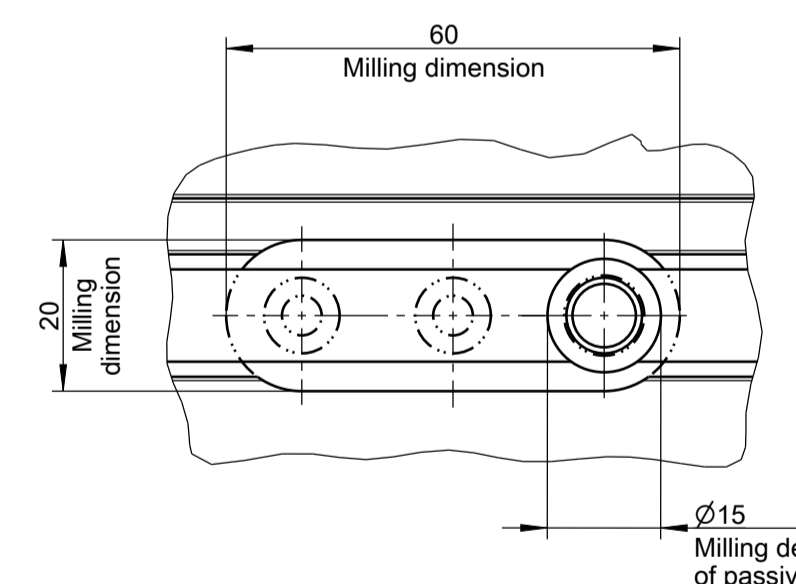
**Leaf milling for
lock case Series 18**



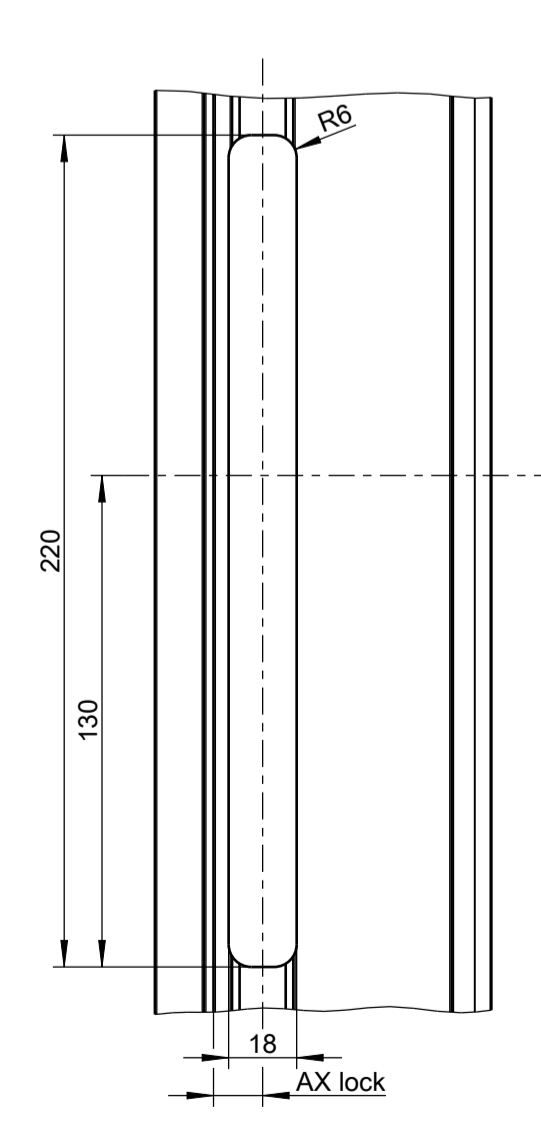
Leaf milling for PC hole



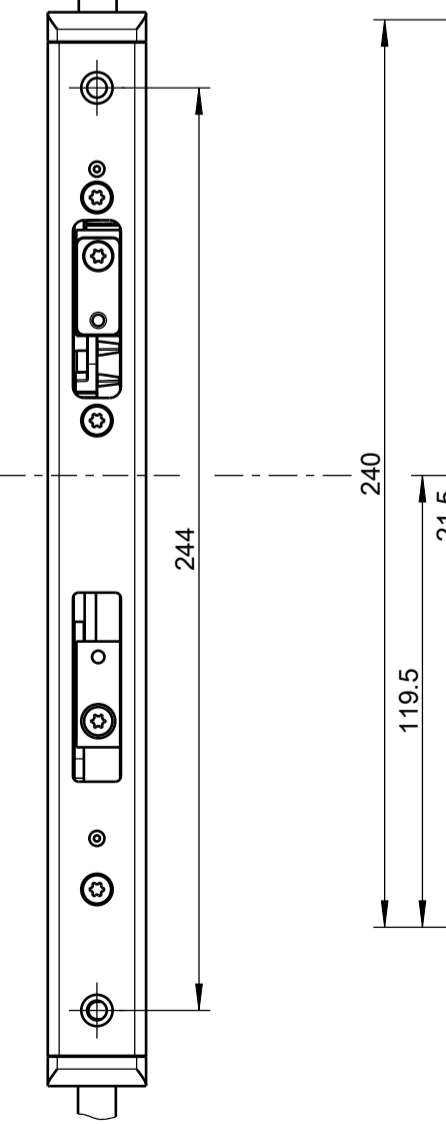
* For faceplate
16 aim at
dimension 15.5



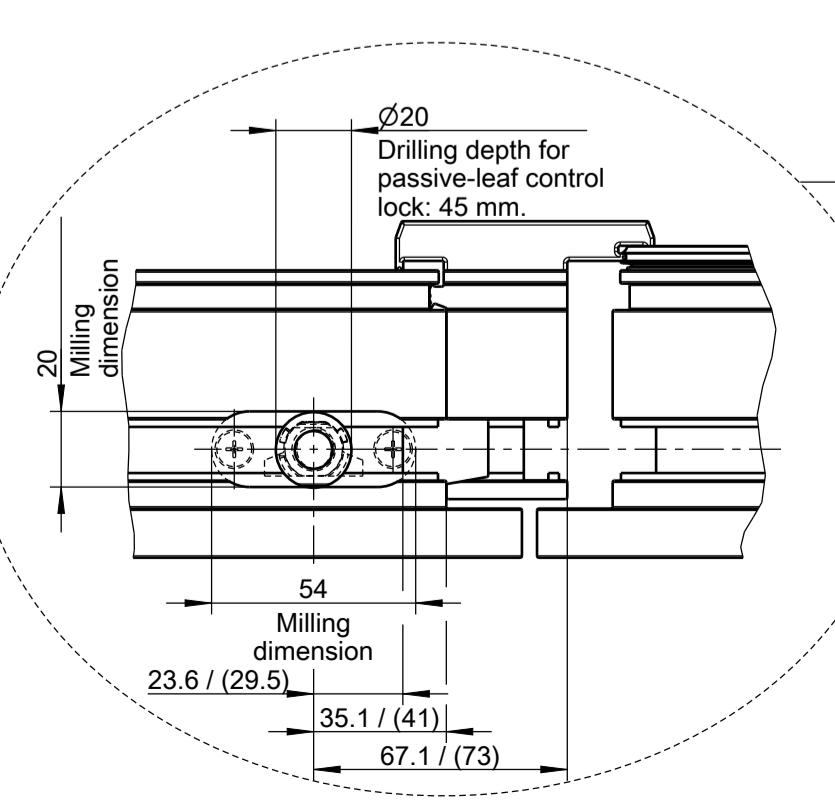
**Milled recess for
shoot-bolt lock**



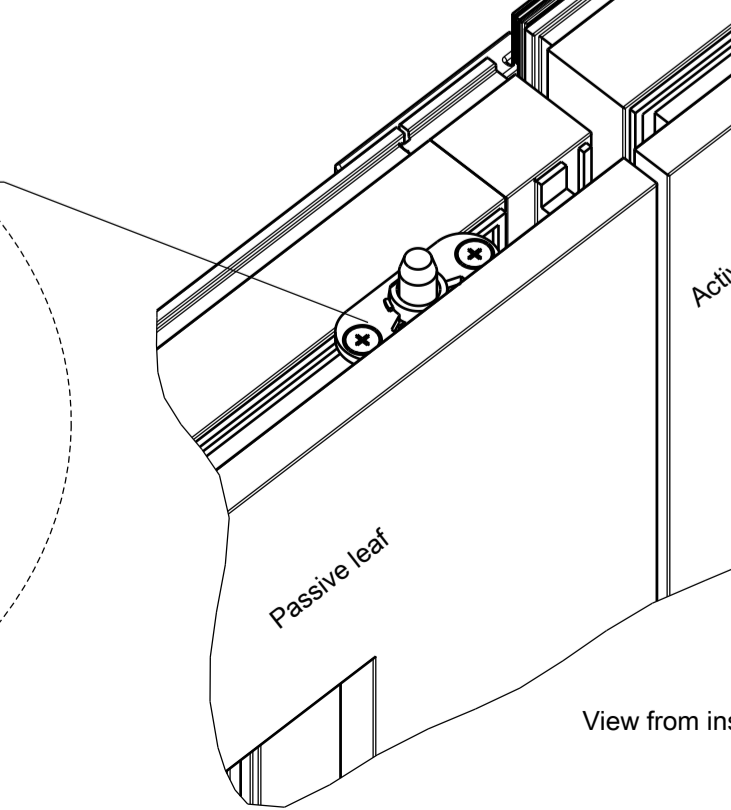
Shoot-bolt lock



Item 23 / (Item 14T)
Dimensions related to backset = 70 / 79



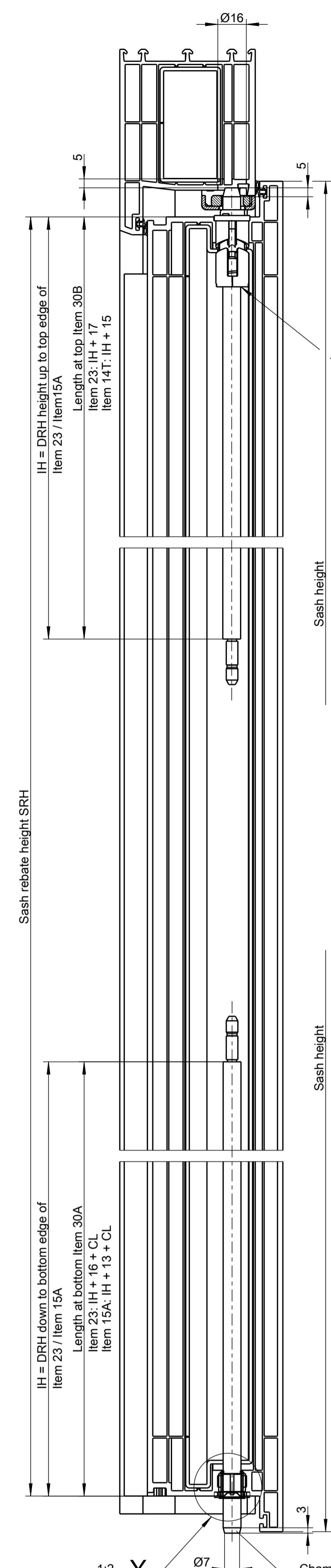
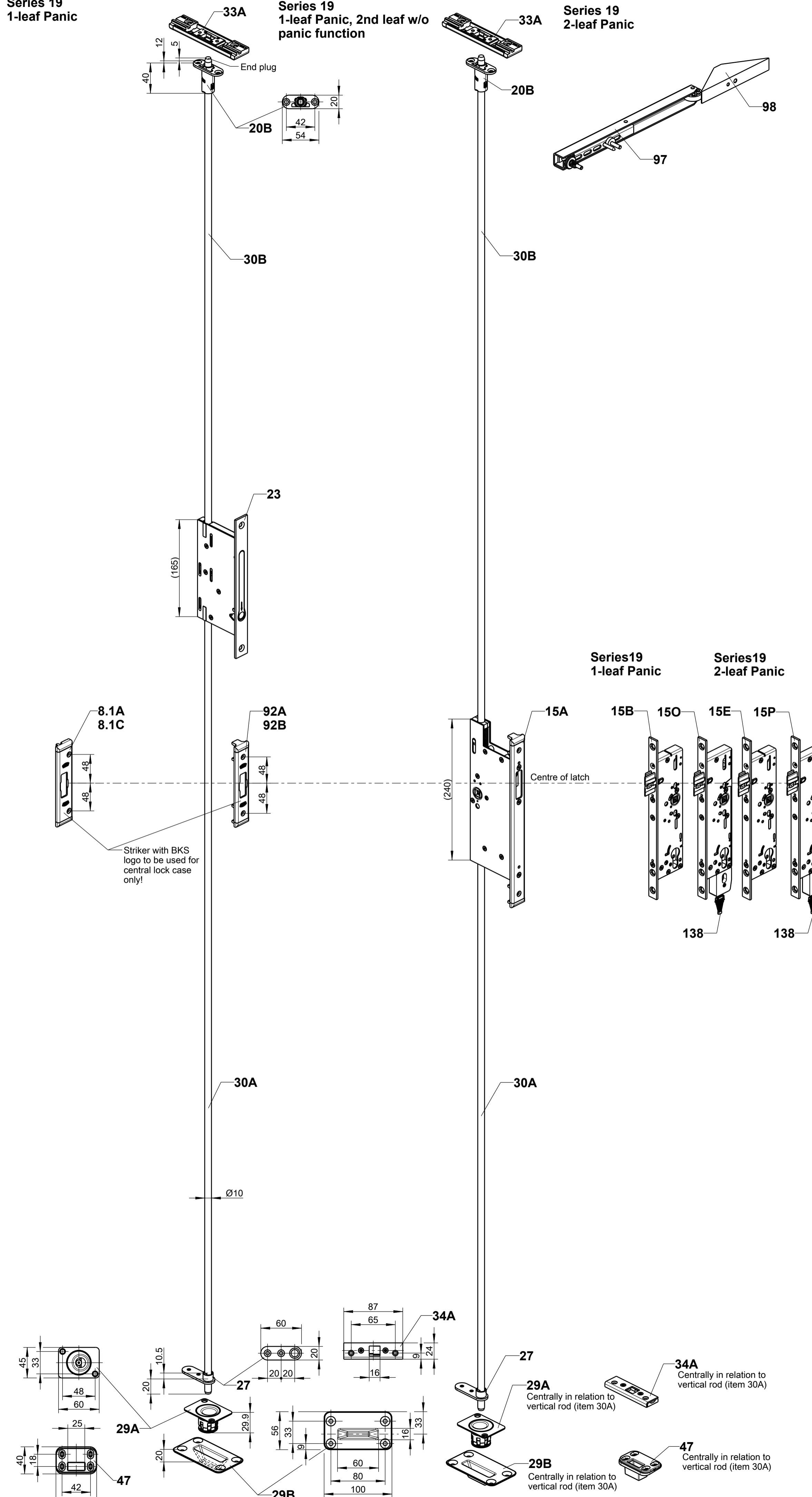
Passive-leaf control lock



Series 19
1-leaf Panic

Series 19
1-leaf Panic, 2nd leaf w/o panic function

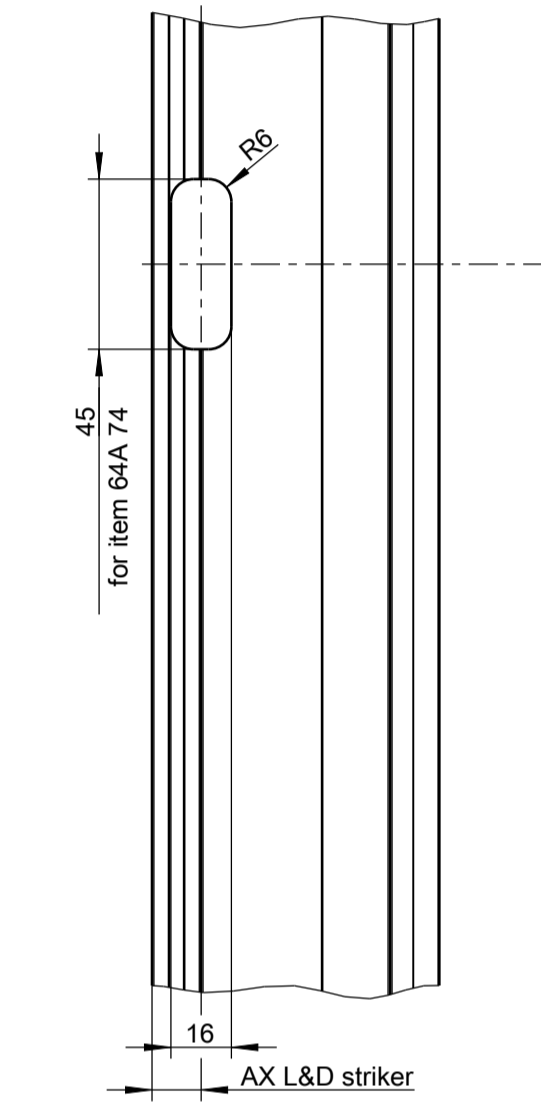
Series 19
2-leaf Panic



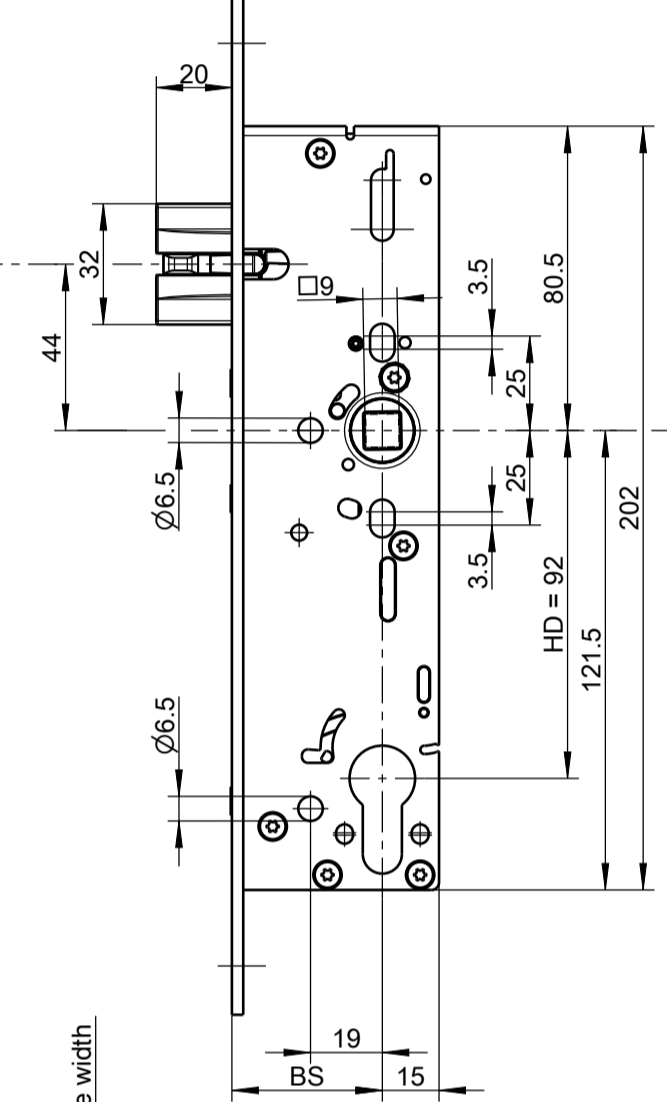
Installation and operating instructions:
Narrow stile locks: C59841030
B 1899 lever-operated shoot-bolt lock: C59838000
Observe the instructions for determining the vertical rod length.

Select through-hole diameter for vertical rods (top + bottom) in a way that the rods can move freely after the rod guide and passive-leaf control lock are fixed!

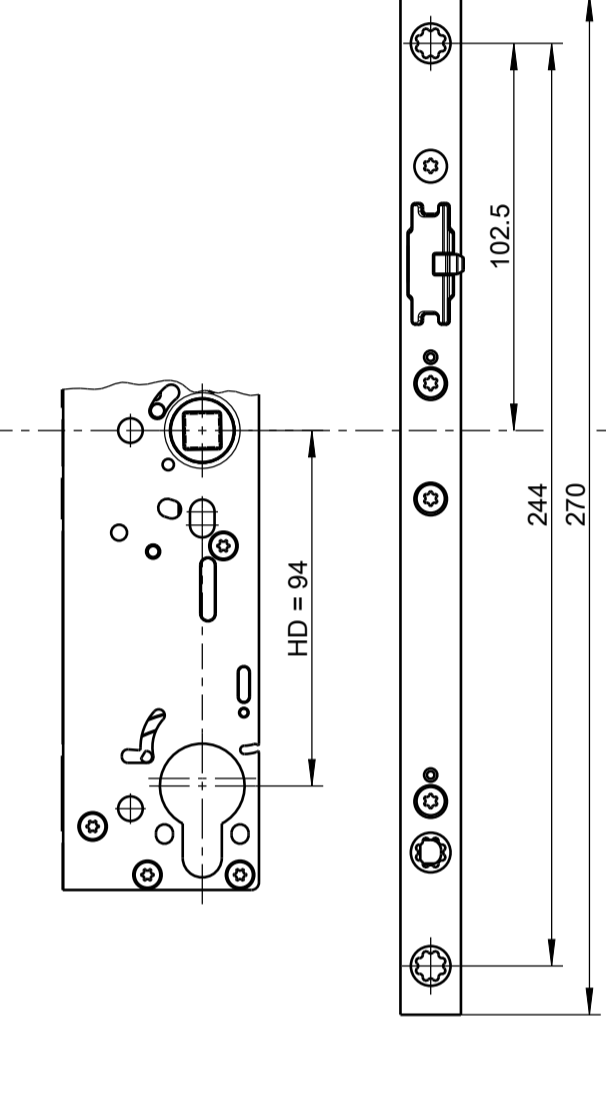
Frame milling for L&D striker



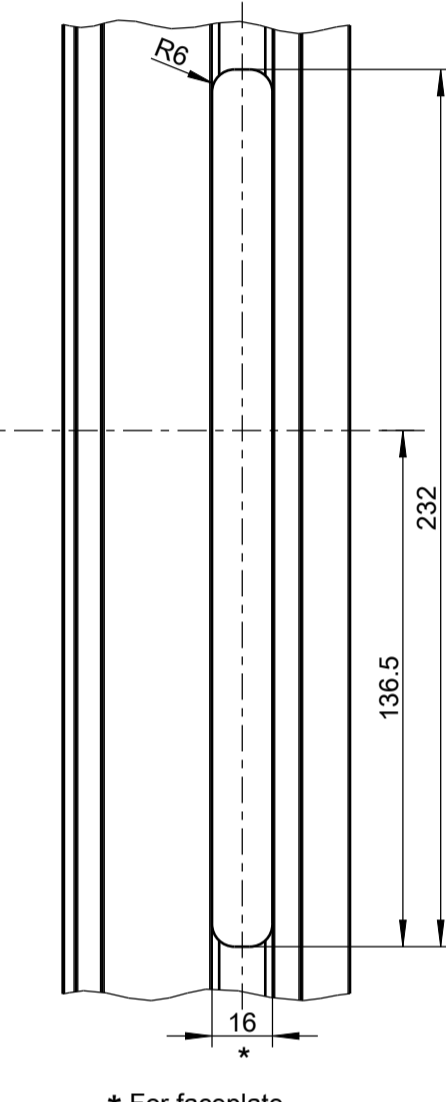
Lock case series 19 with PC hole



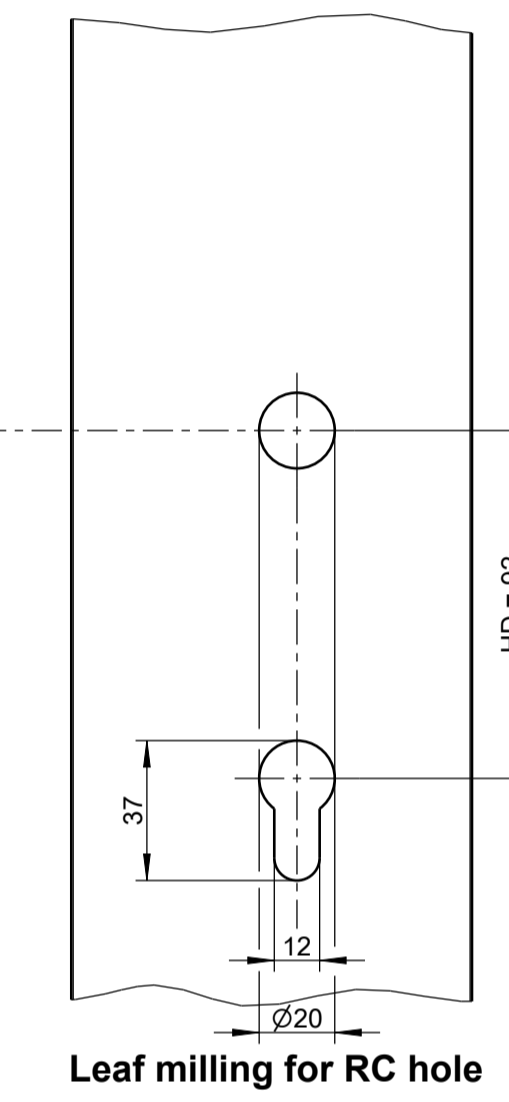
Lock case series 19 with RC hole



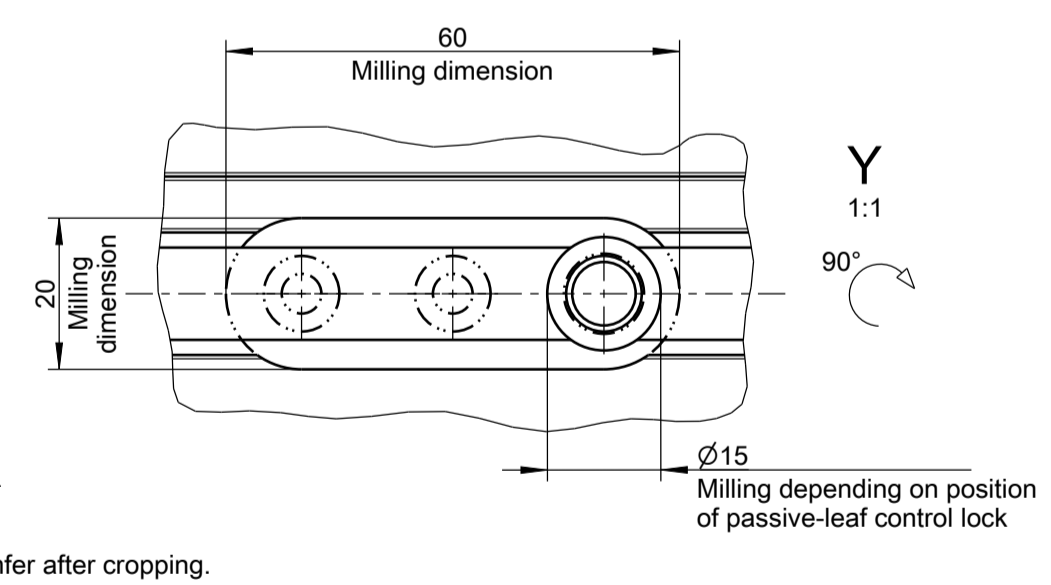
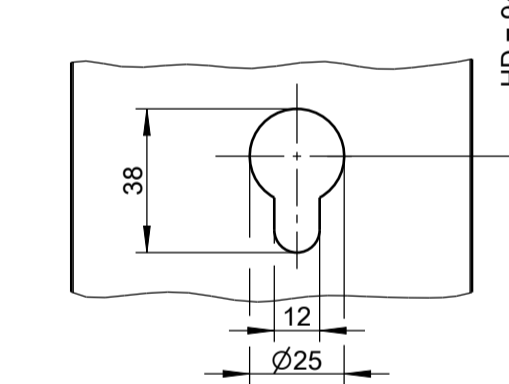
Leaf milling for lock case Series 19



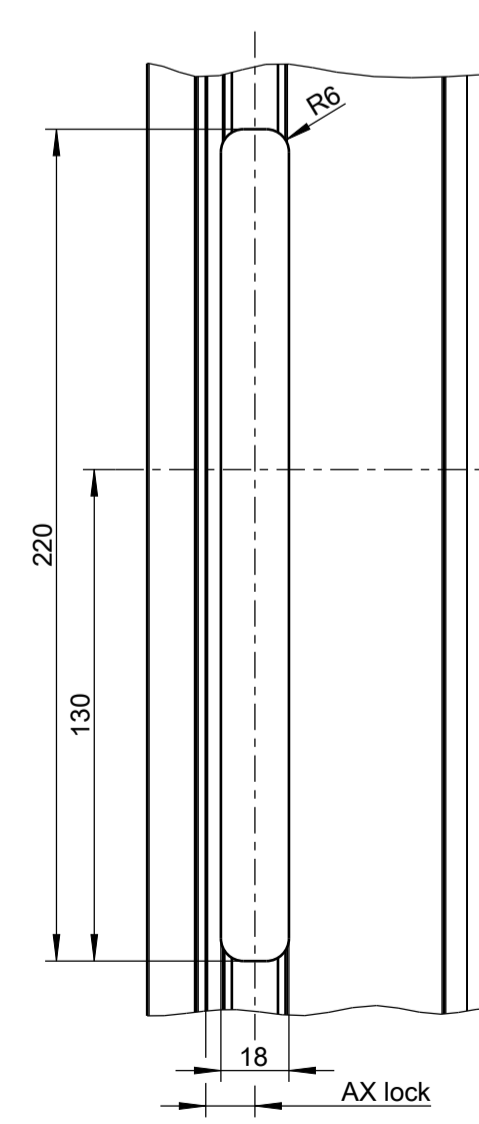
Leaf milling for PC hole



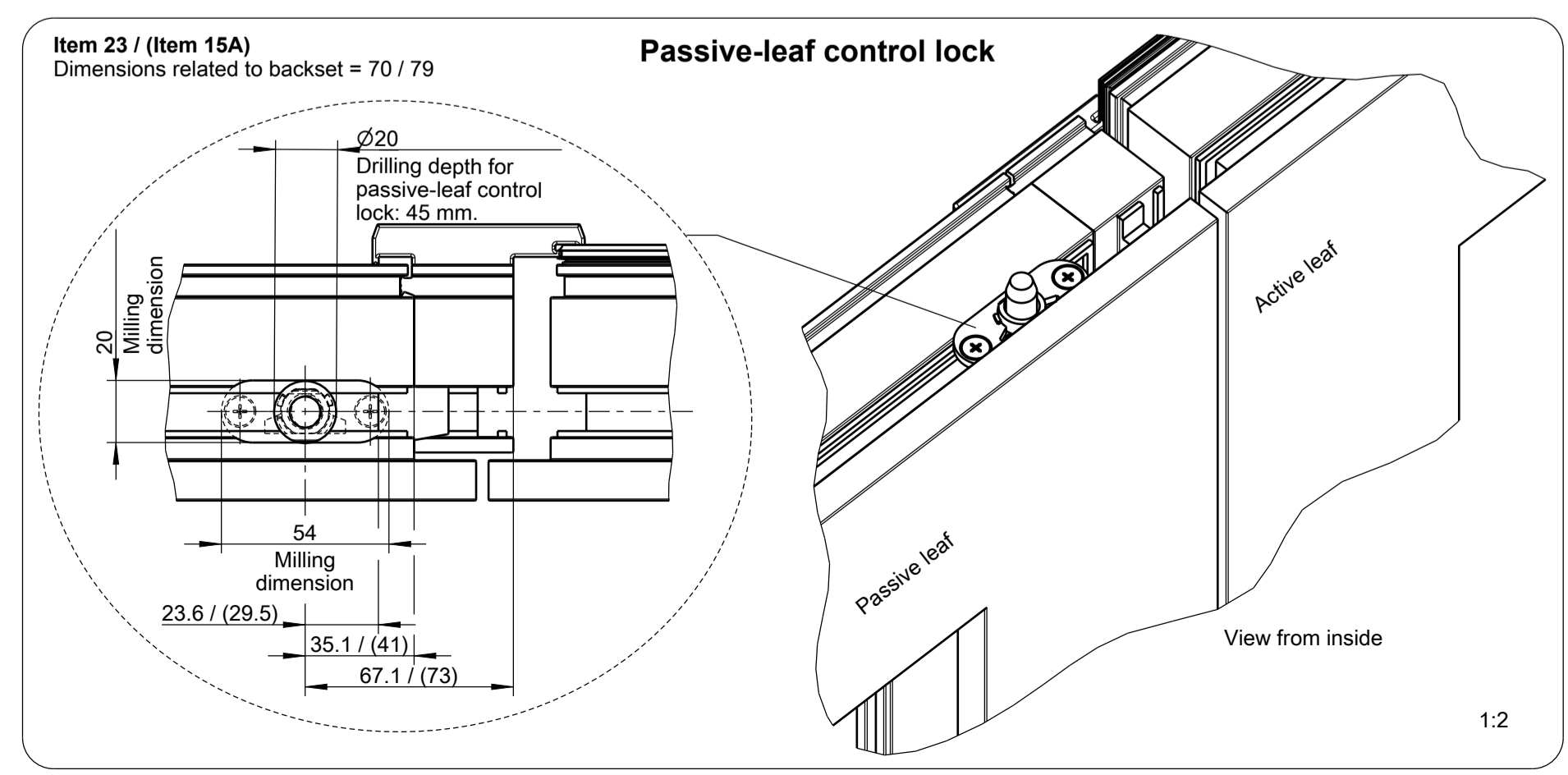
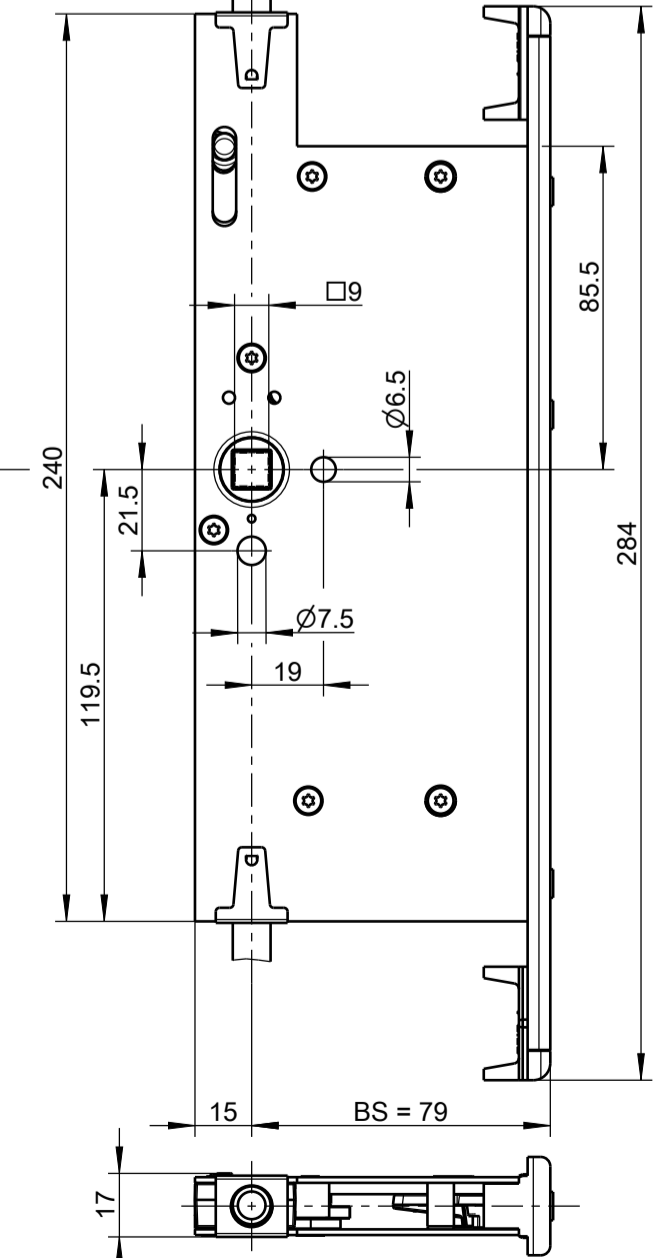
Leaf milling for RC hole



Milled recess for shoot-bolt lock



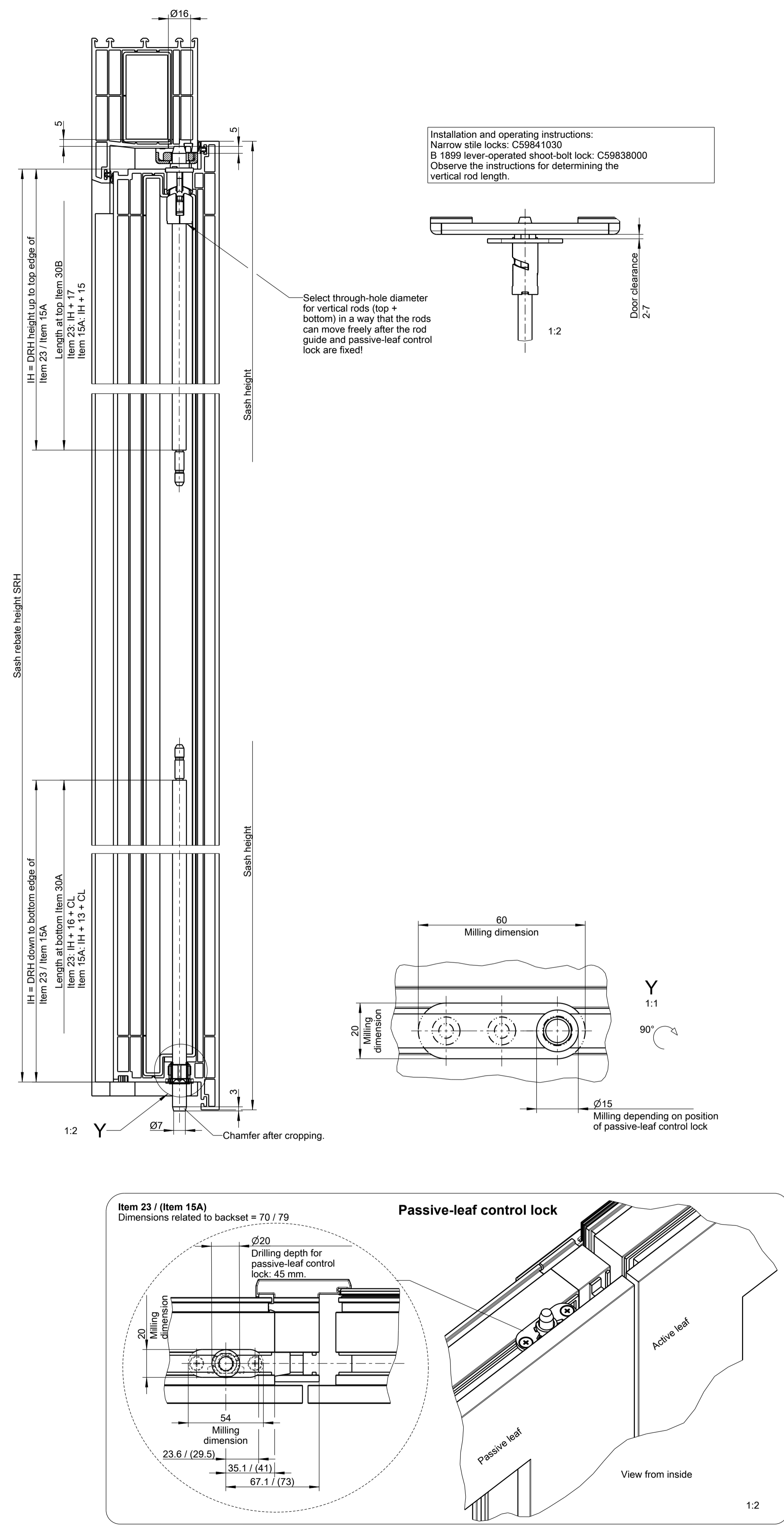
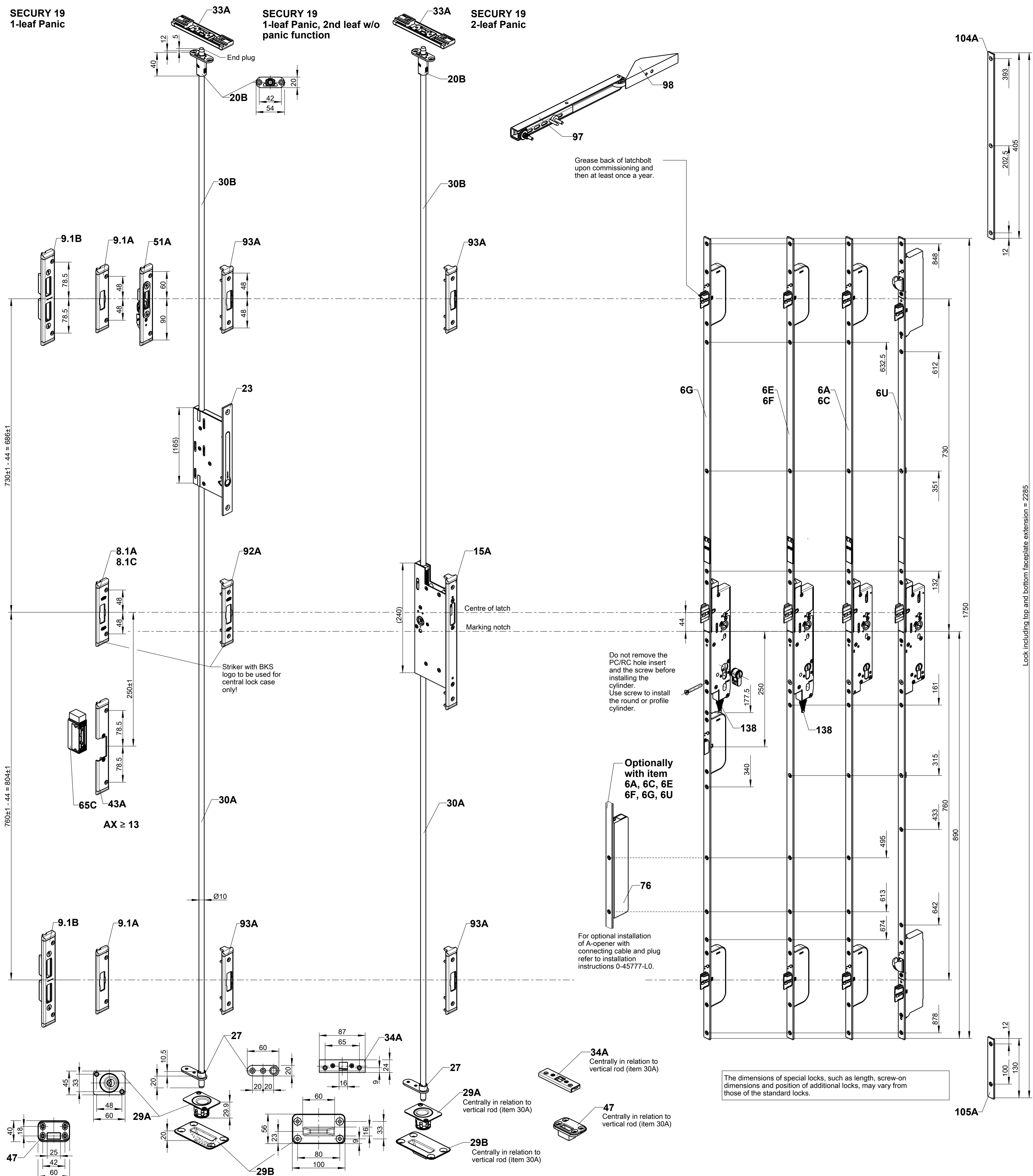
Shoot-bolt lock

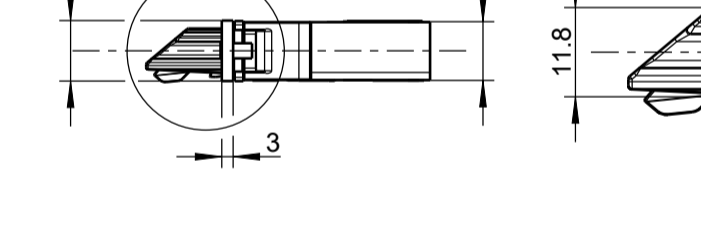
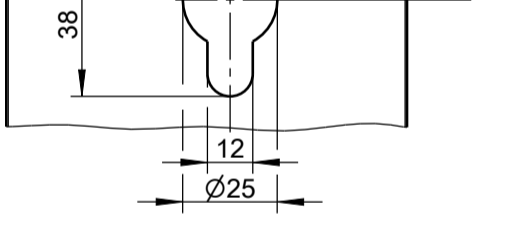
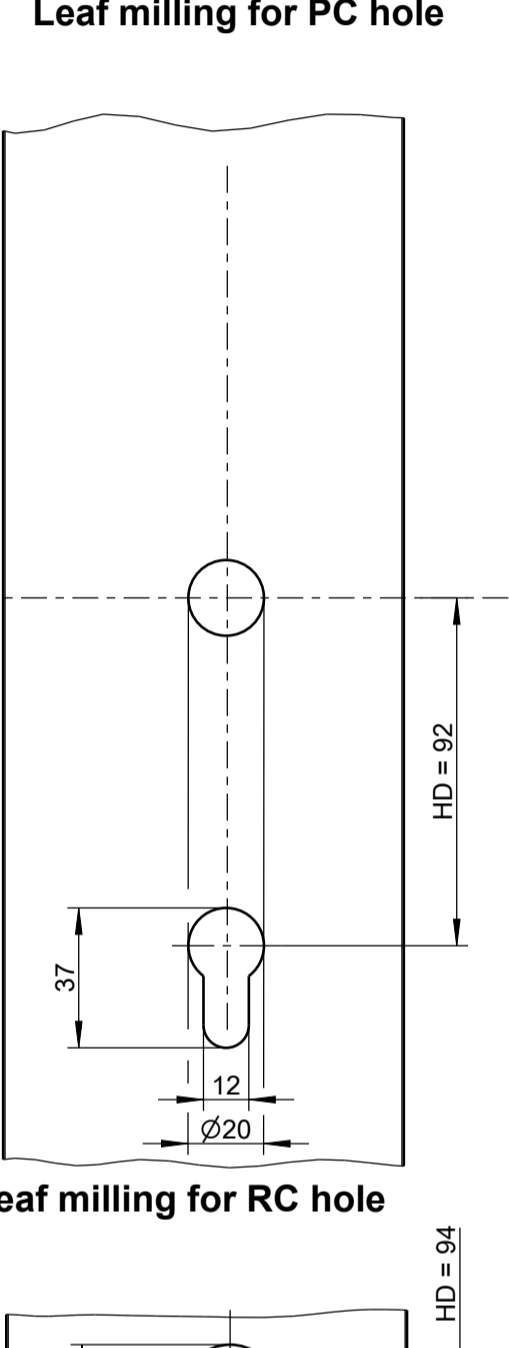
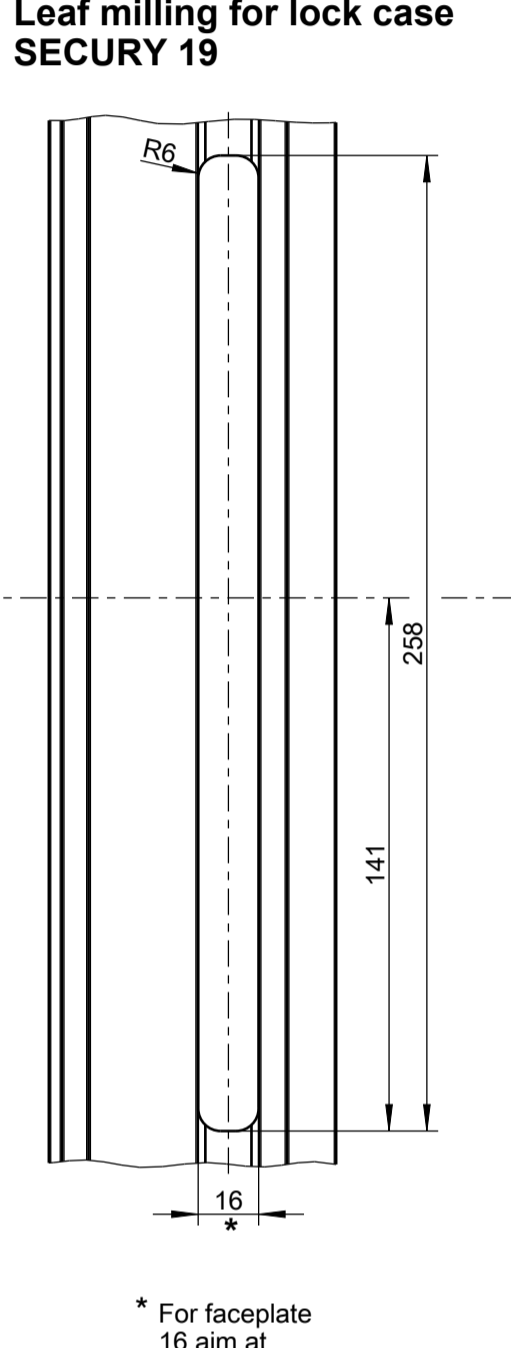
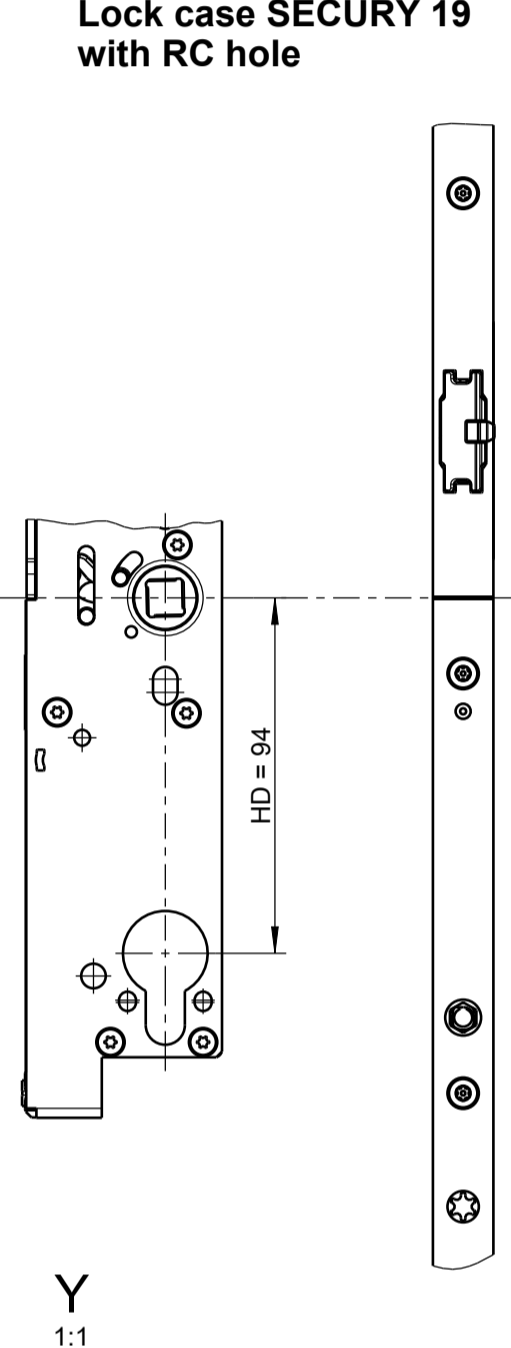
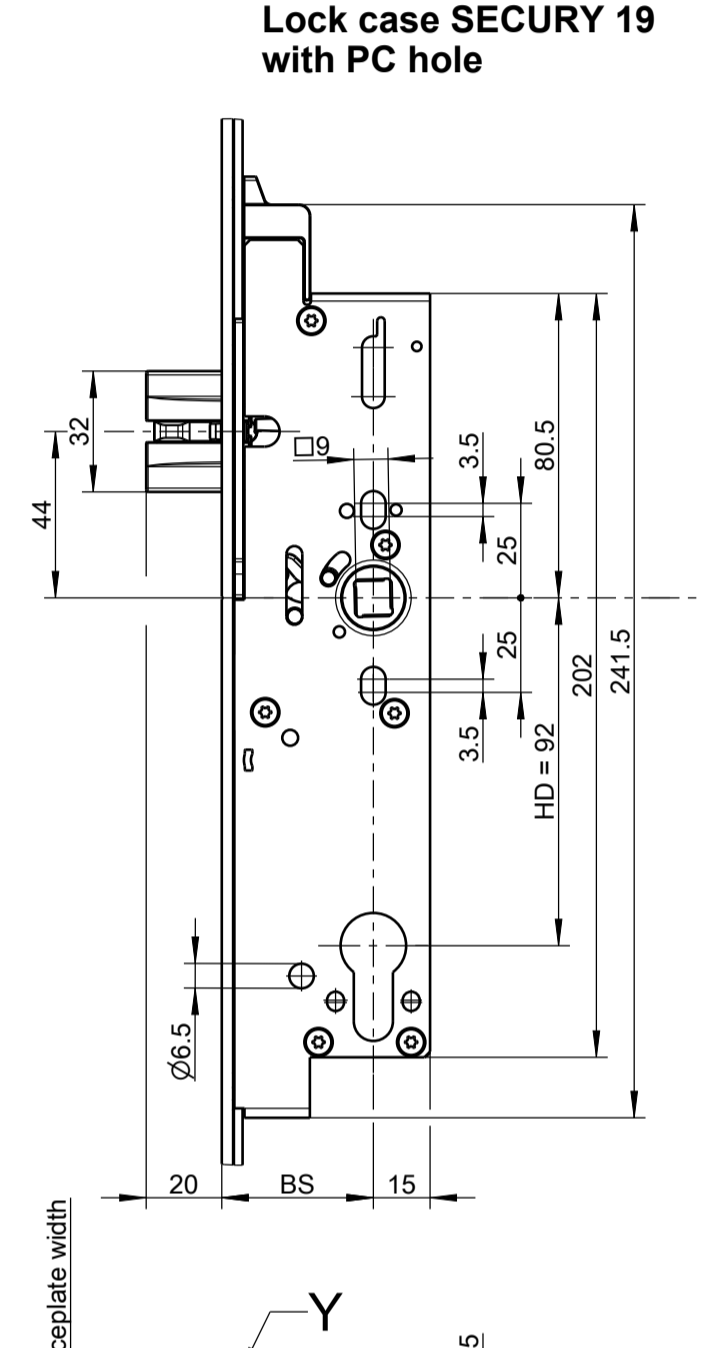
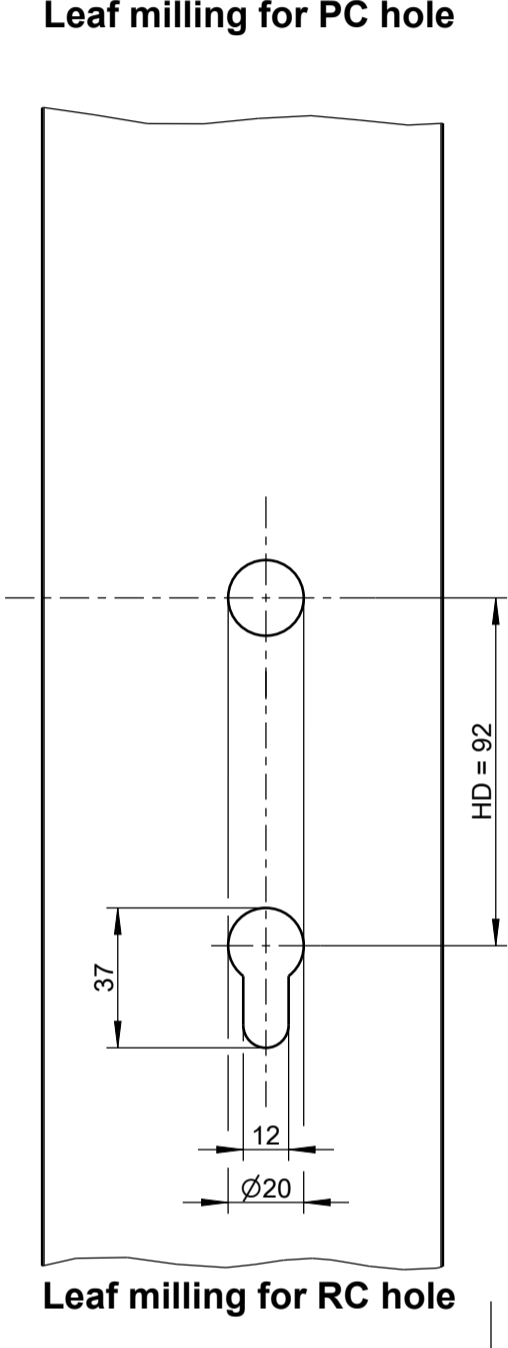
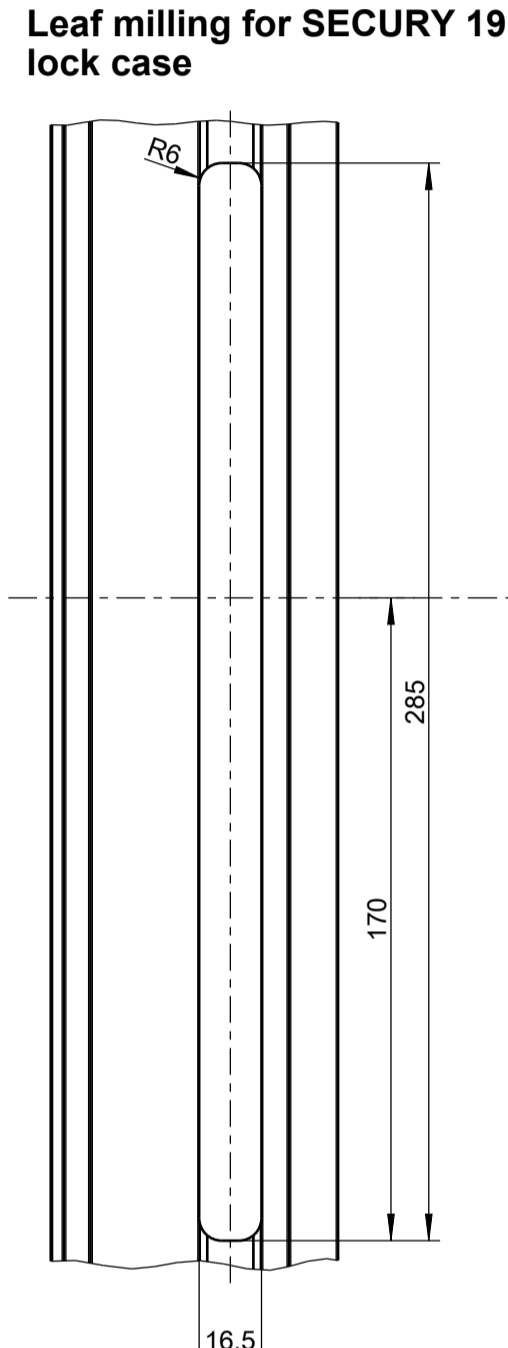
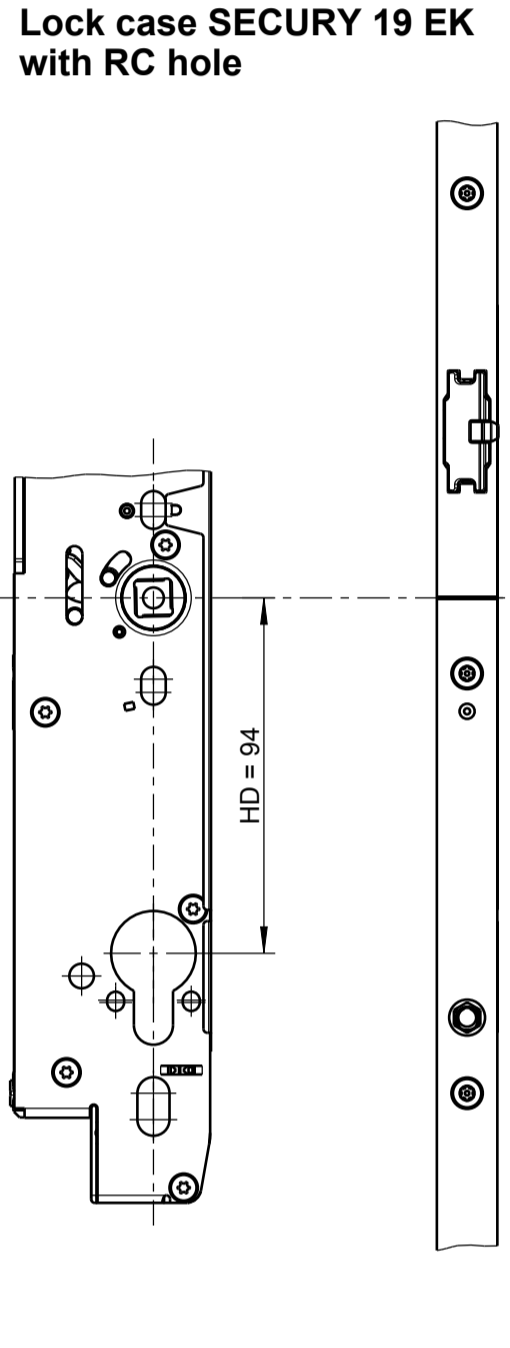
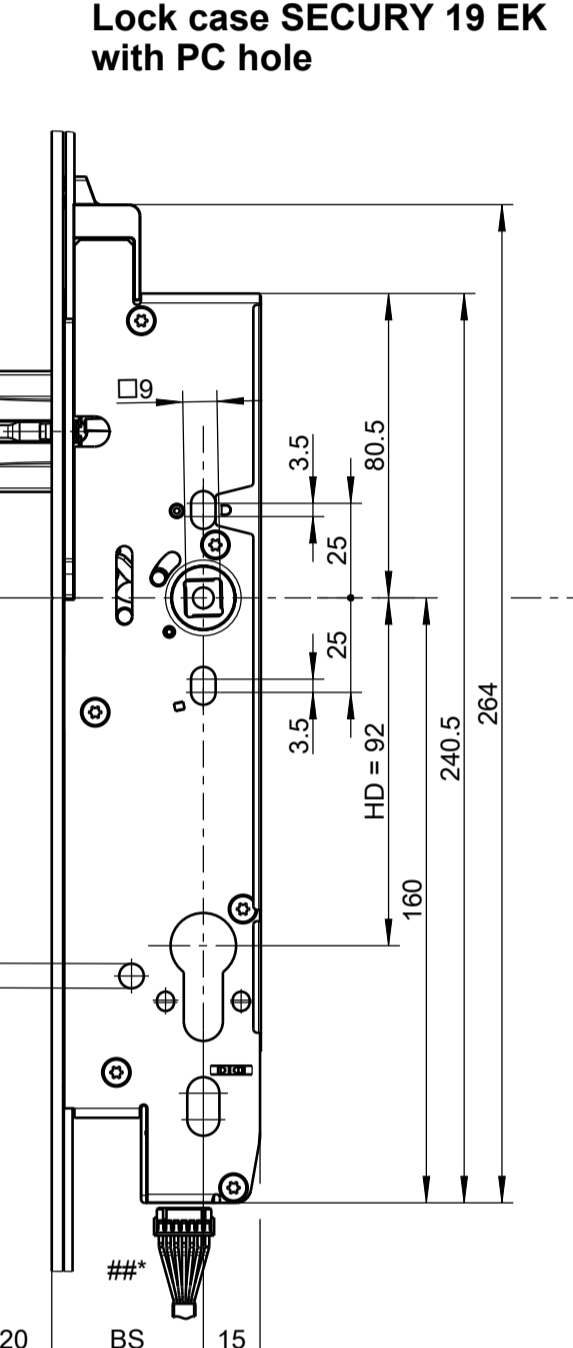
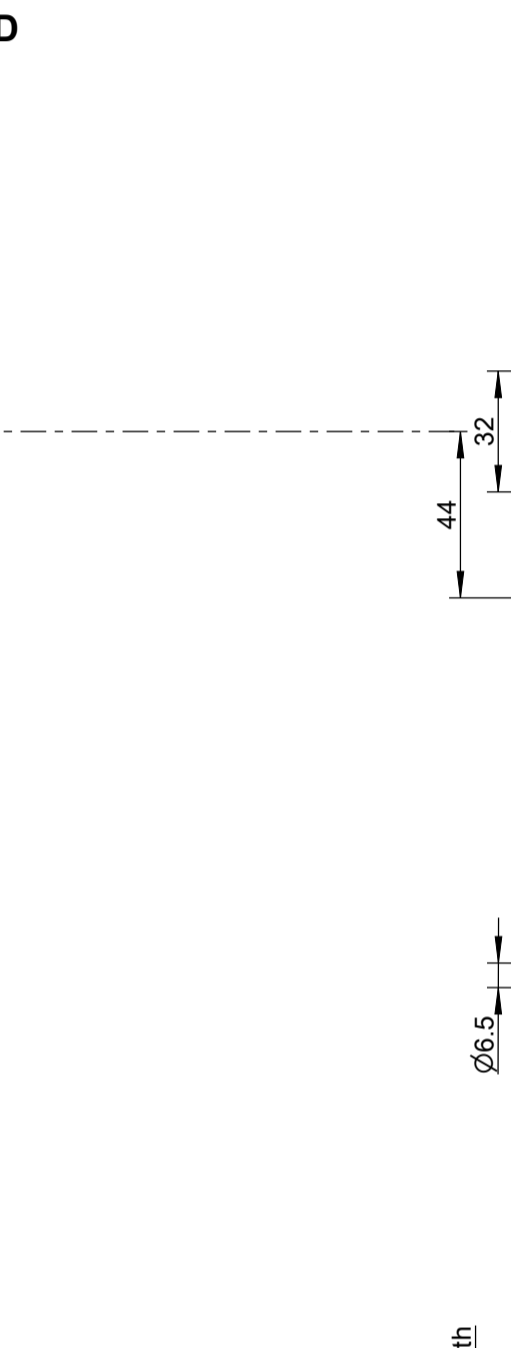
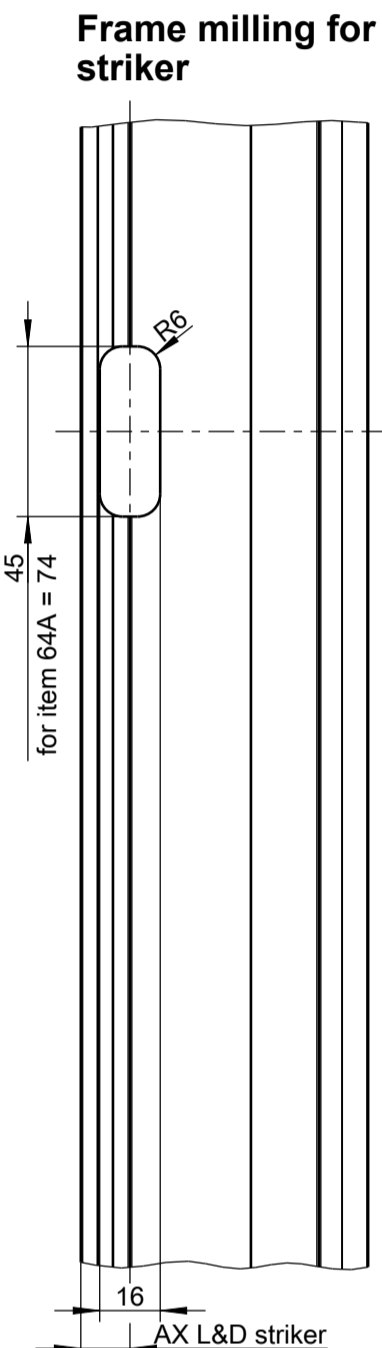
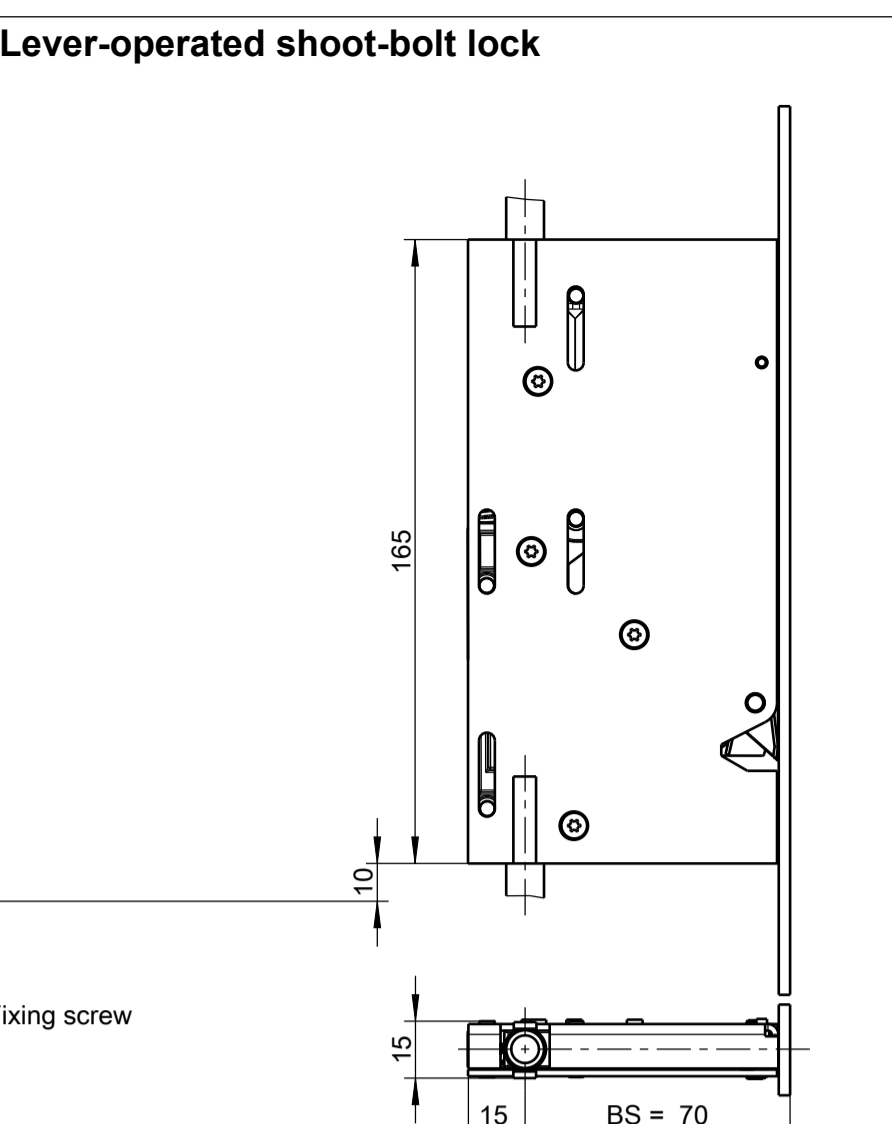
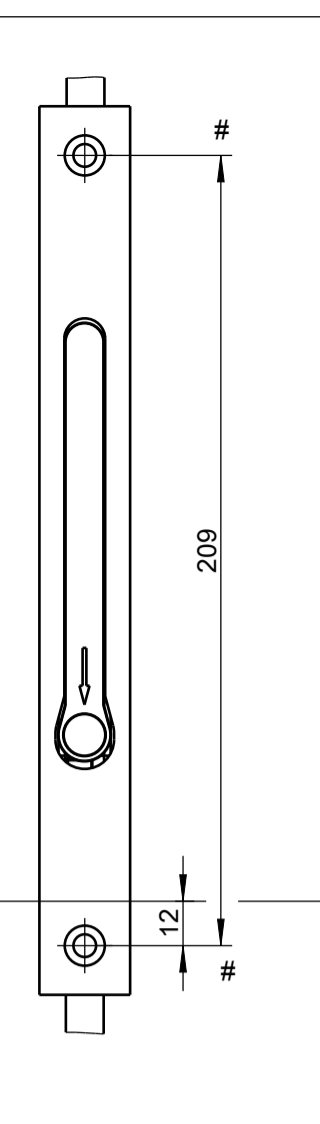
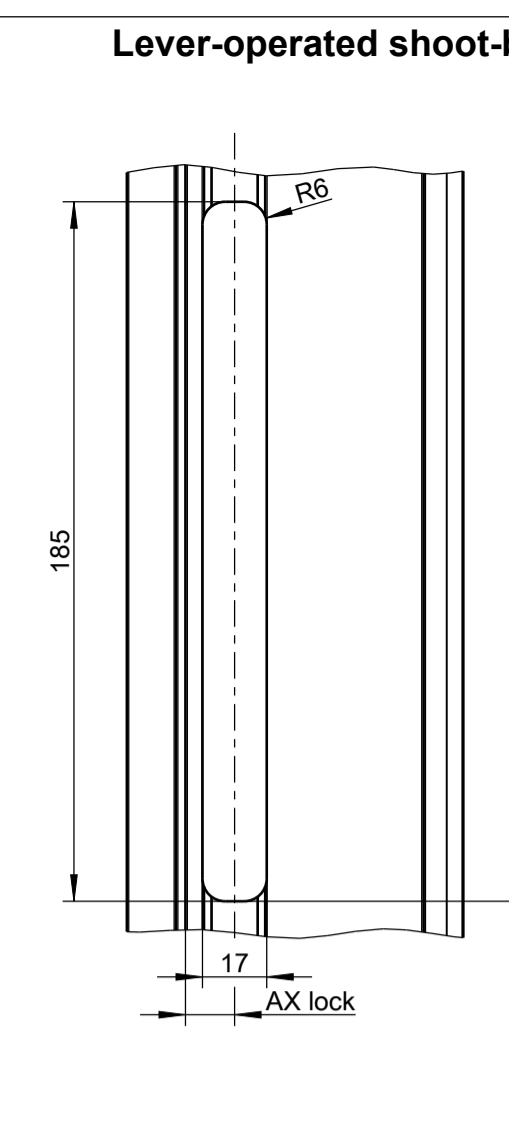
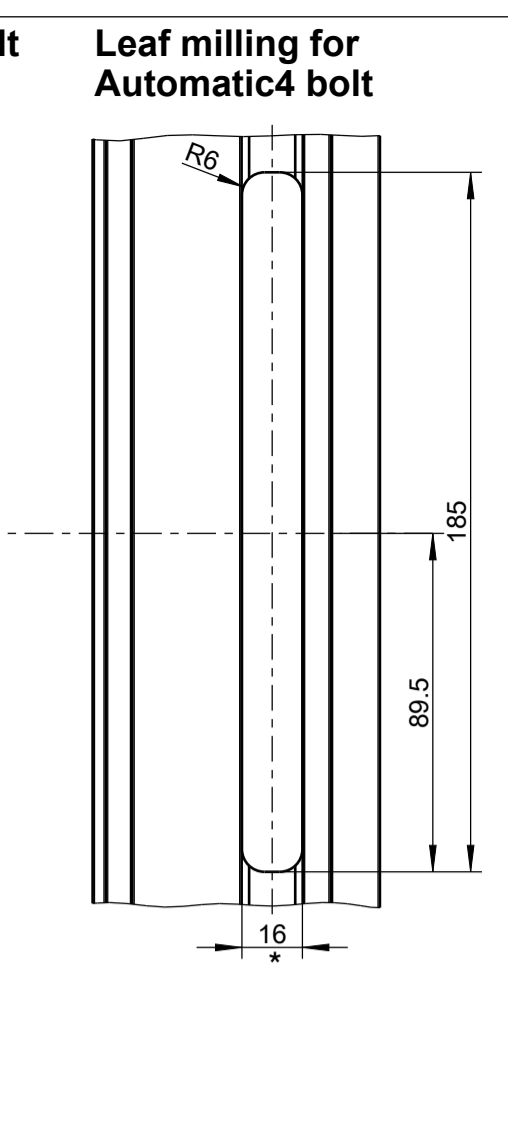
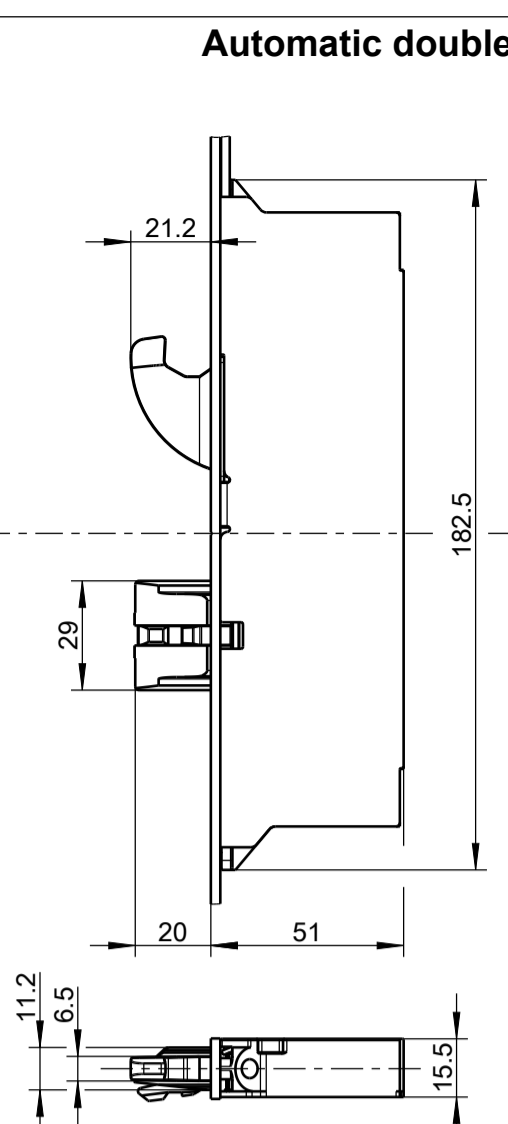
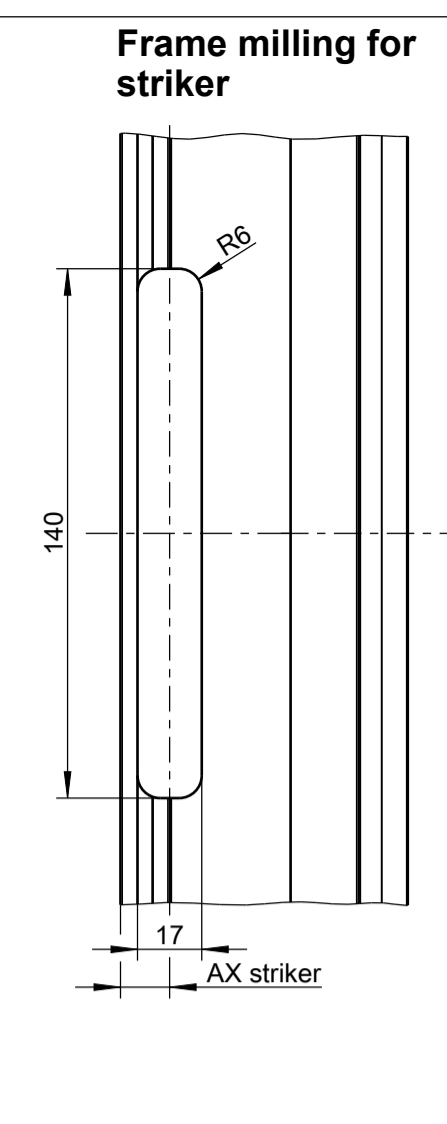
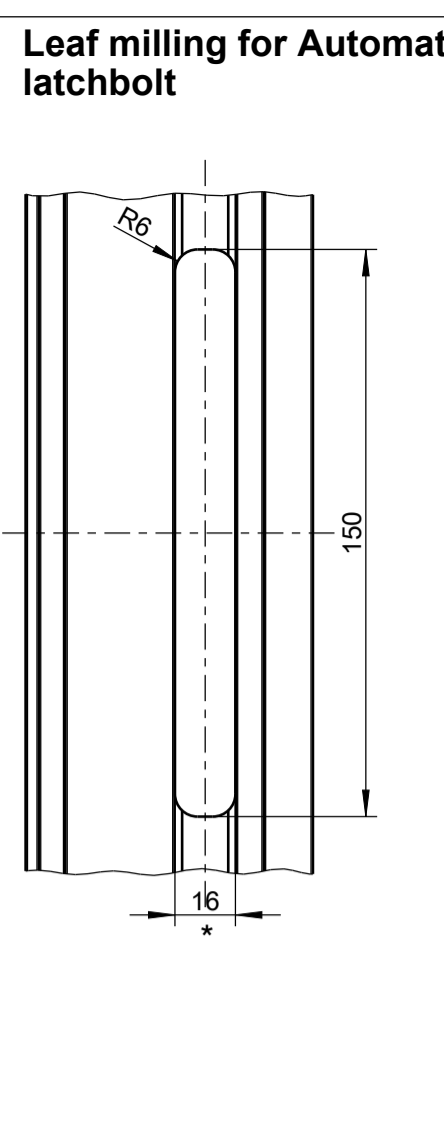
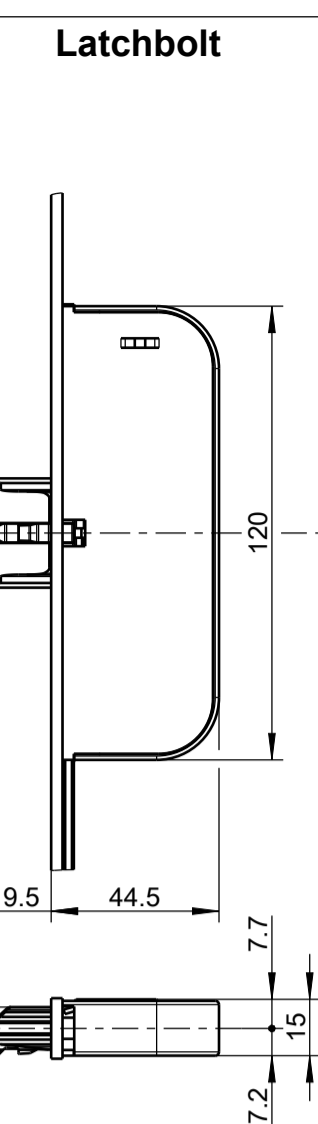
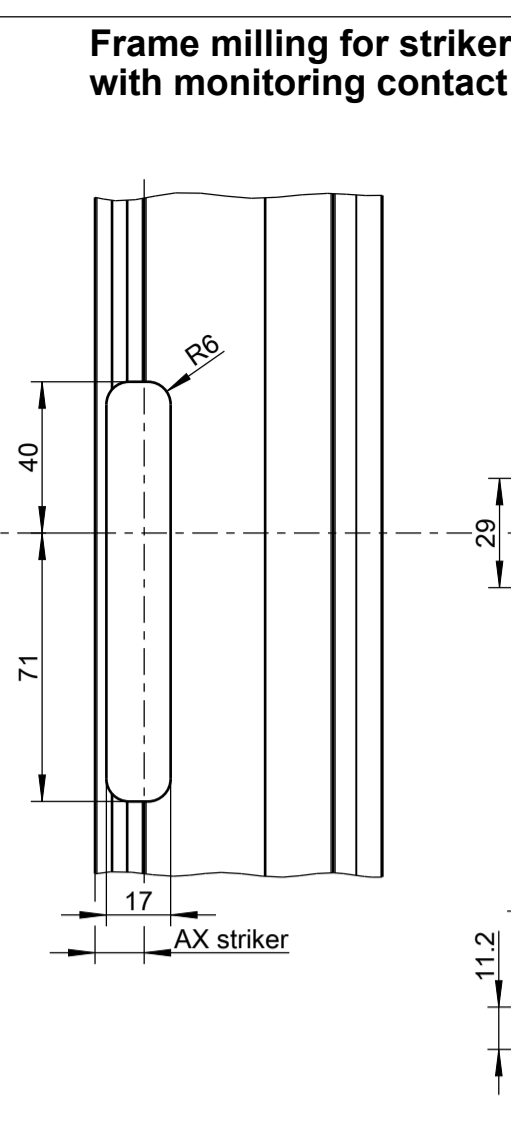
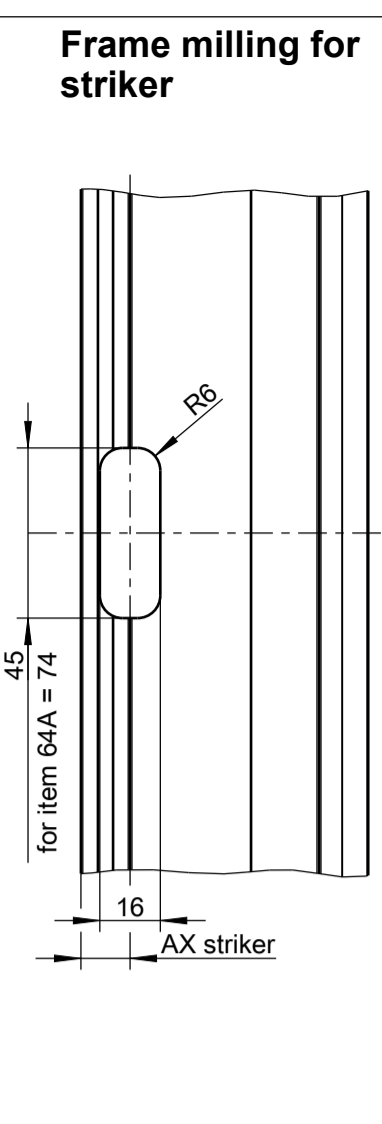


SECURITY 19
1-leaf Panic

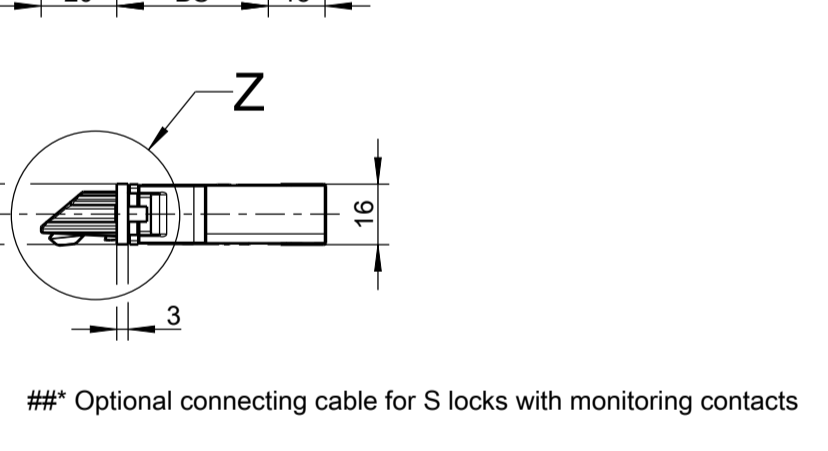
SECURITY 19
1-leaf Panic, 2nd leaf w/o
panic function

SECURITY 19
2-leaf Panic

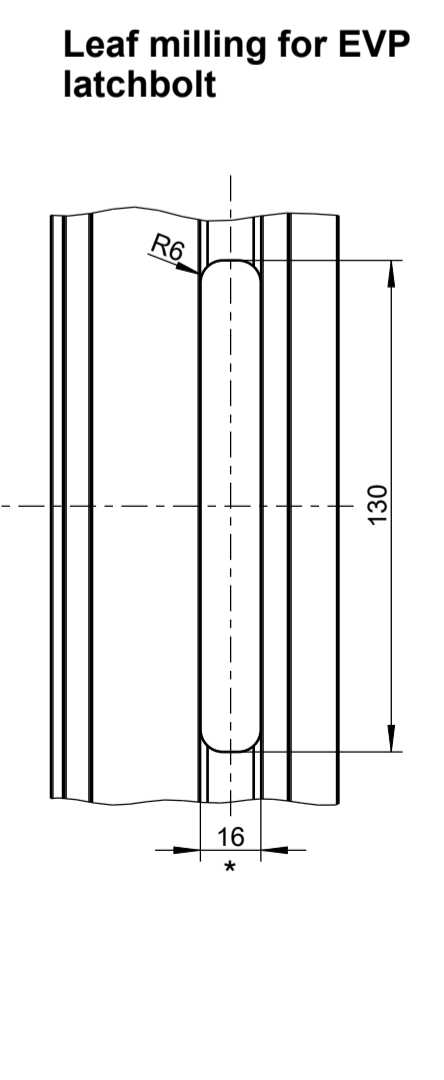
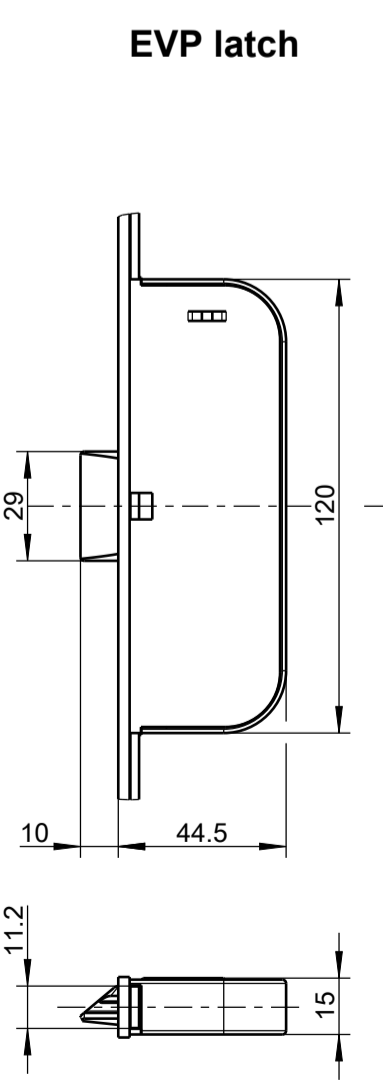
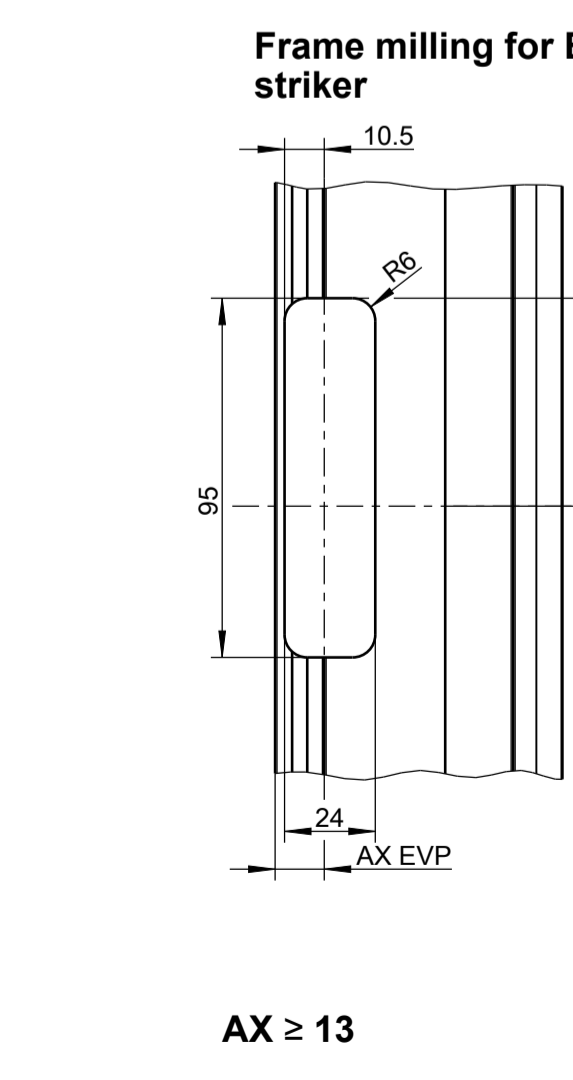
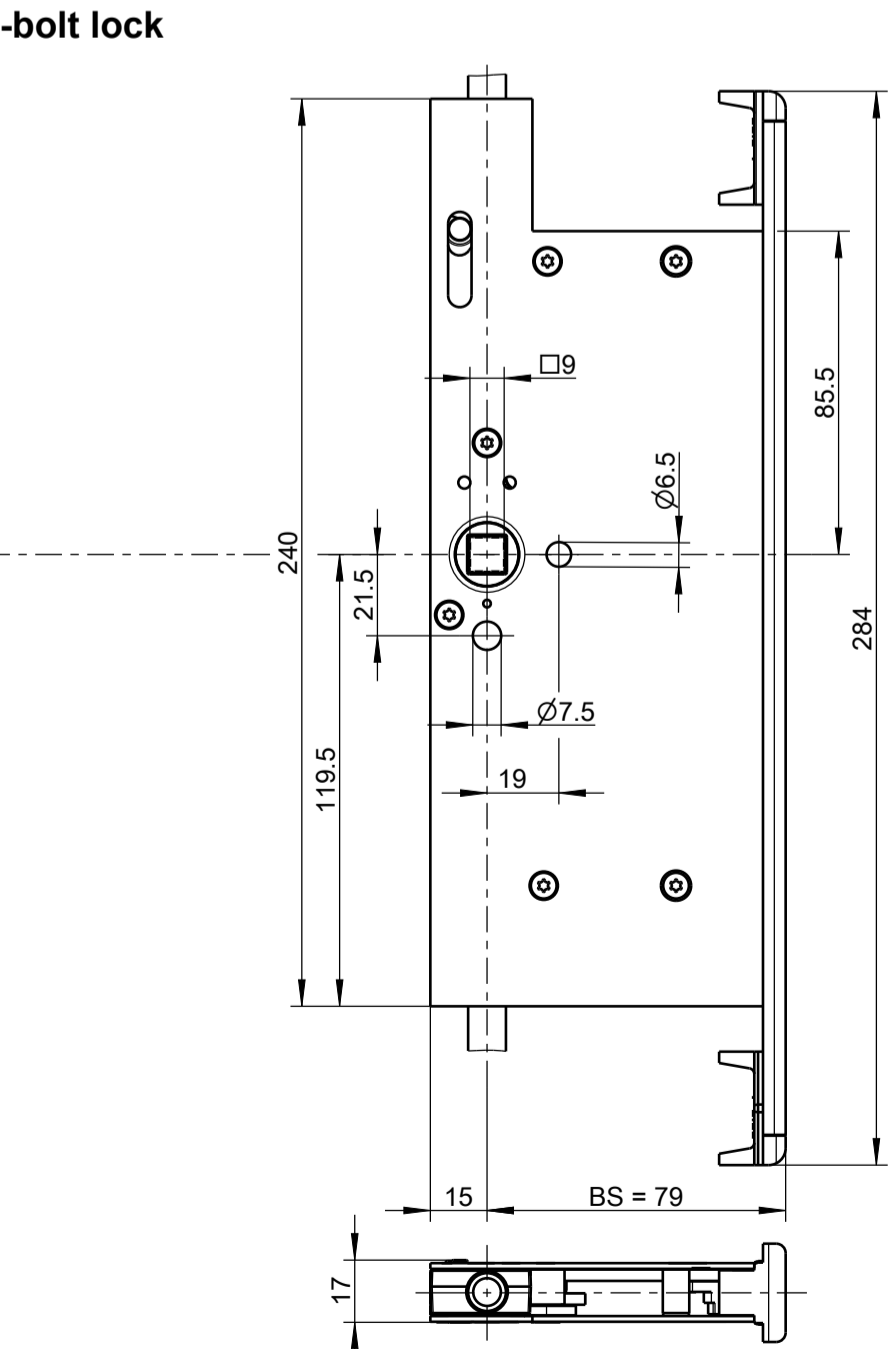
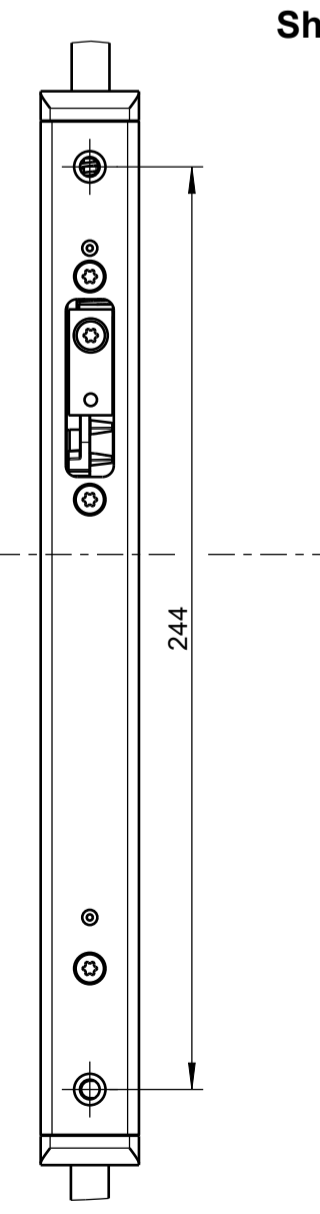
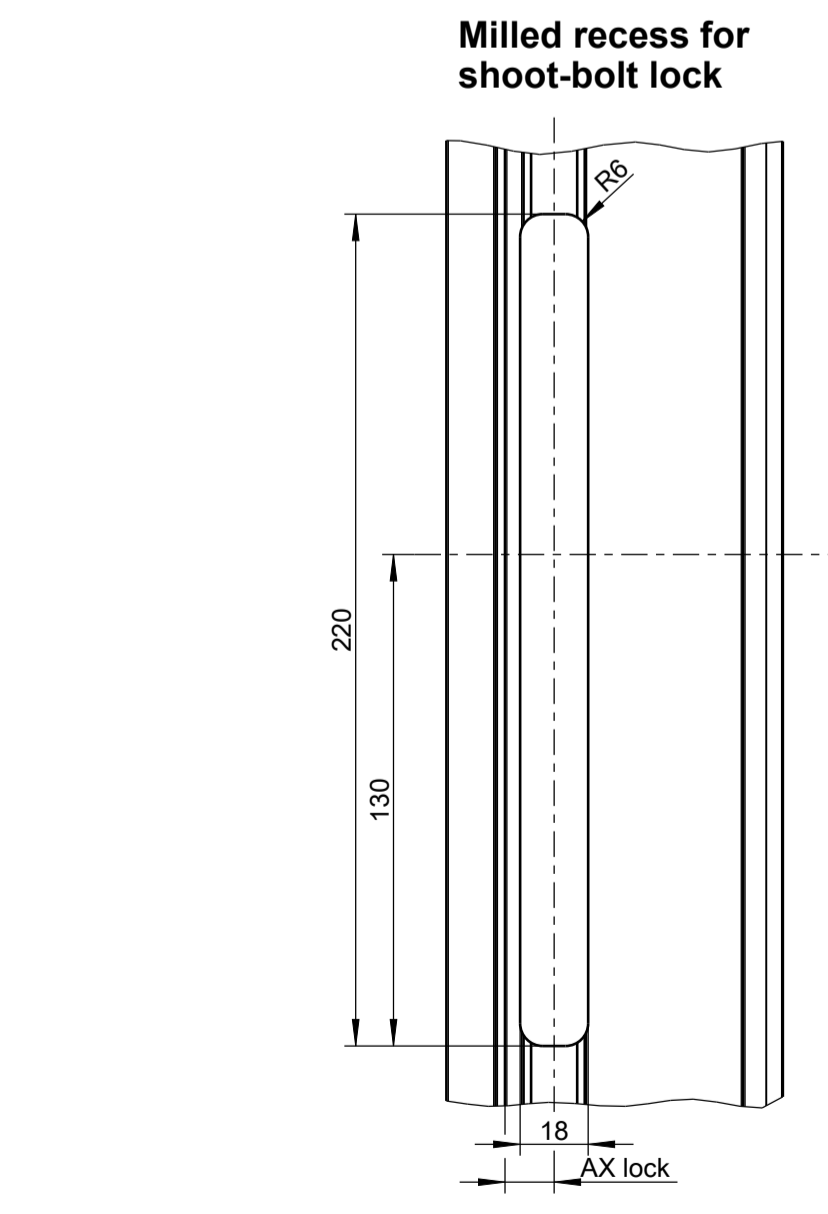




* For faceplate 16 aim at dimension 15.5



##* Optional connecting cable for S locks with monitoring contacts



AX ≥ 13

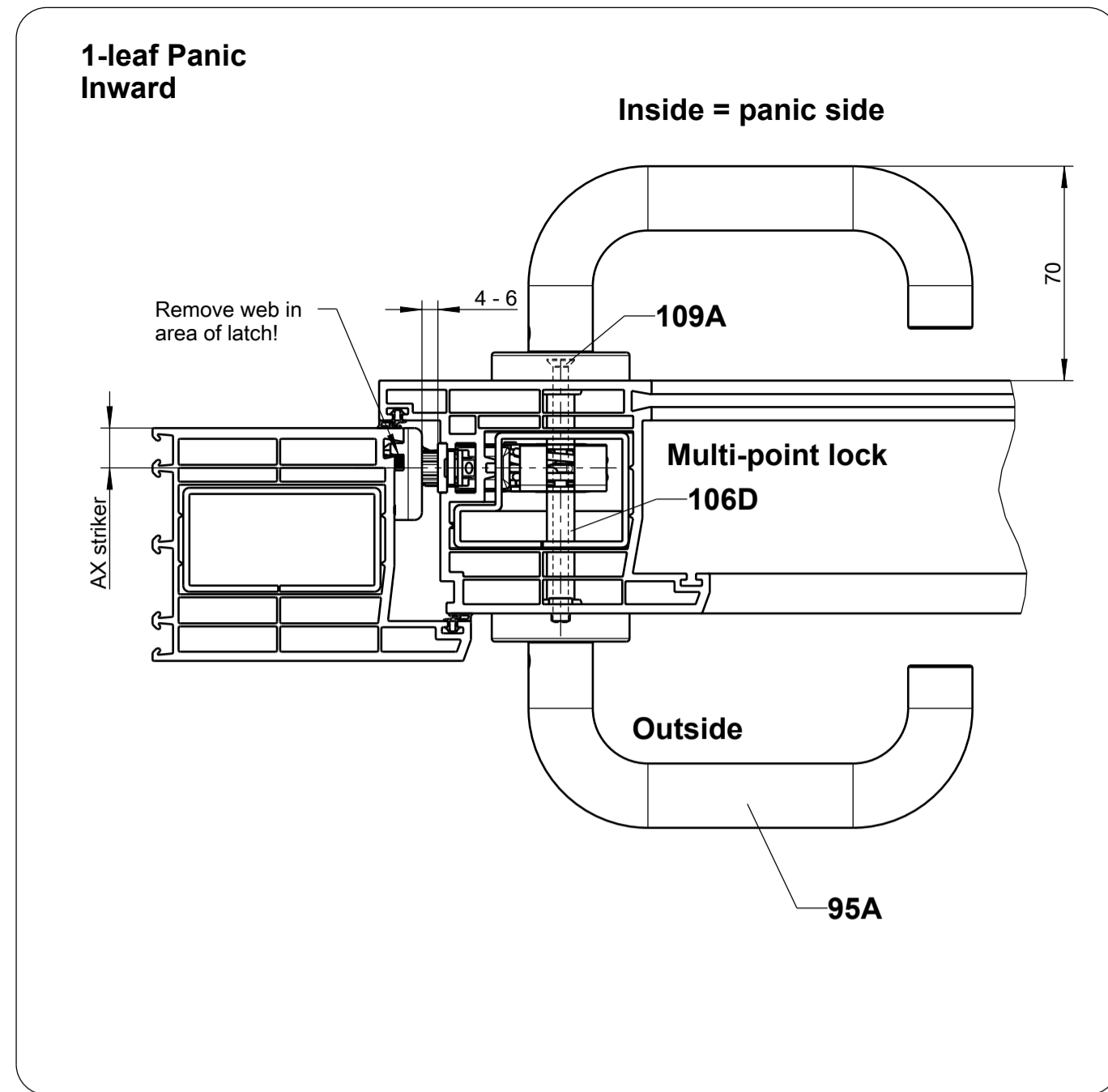
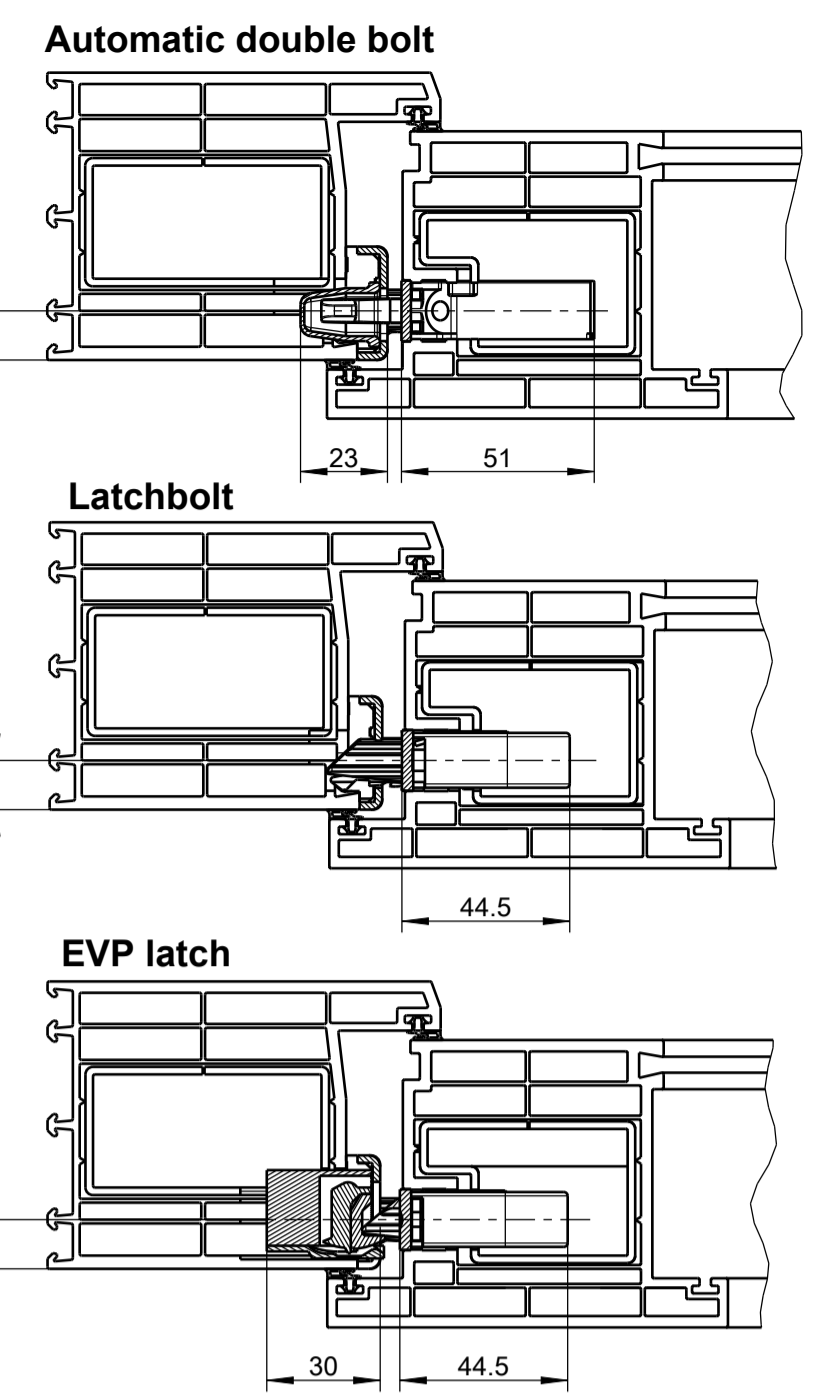
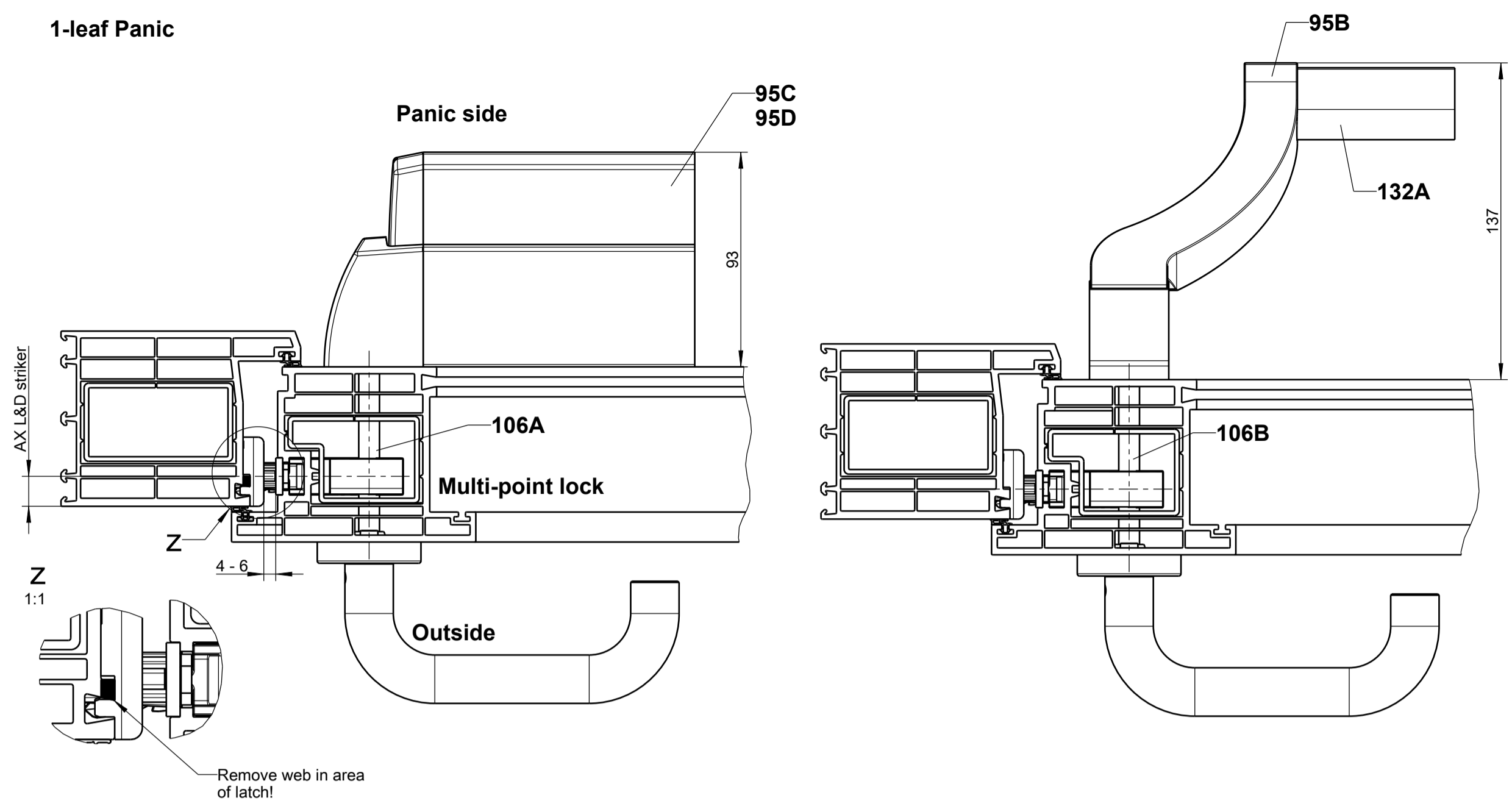
Flat faceplate	24 x 3	BS = 35	BS = 40	BS = 45
U-faceplate	24 x 5 x 2	BS = 34	BS = 39	BS = 44
	24 x 6 x 2			
	24 x 8 x 2			

AX = axis

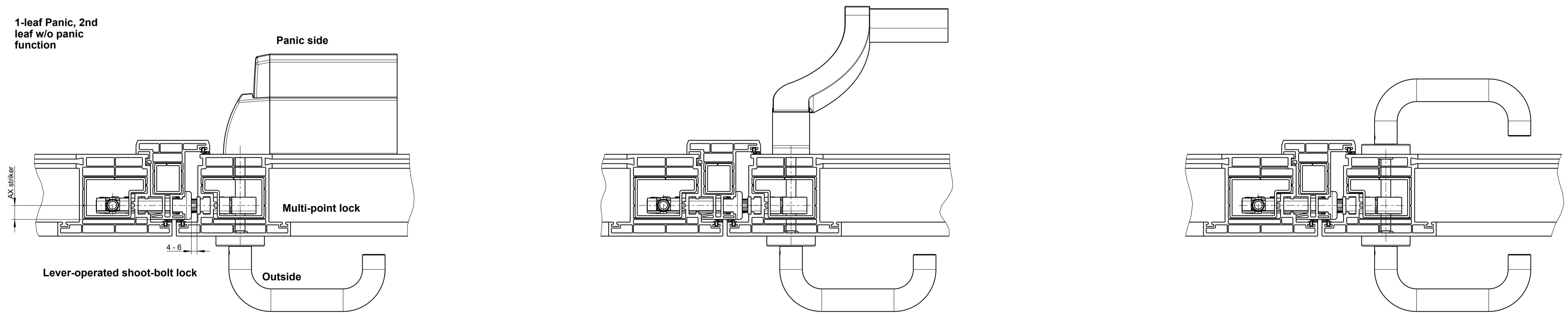
Description:
GU-BKS multi-point panic lock according to EN 179 and EN 1125 Neutral PVC profiles

SECURITY 19
Sectional views

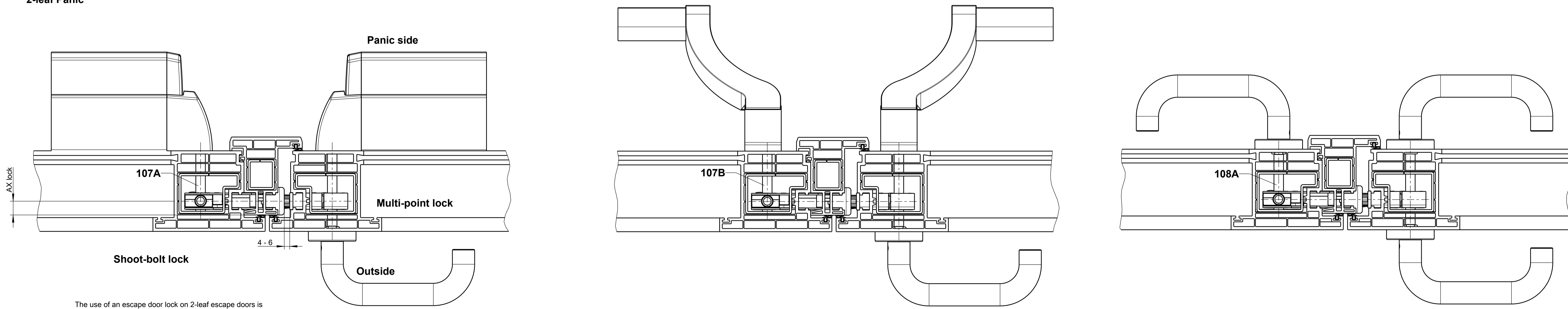
1-leaf Panic



1-leaf Panic, 2nd leaf w/o panic function



2-leaf Panic



The use of an escape door lock on 2-leaf escape doors is only possible in conjunction with the electrically-locking Touch Bar EVT (item 95D)!

Attention – the following notice applies generally!
Be sure to fasten the lever handle or push bar adequately, especially if the steel reinforcement has been cut out in the area where the hardware needs to be fixed.

AX = axis

Description:
GU-BKS multi-point panic lock according to EN 179 and EN 1125 Neutral PVC profiles

Change No.	Date	Sig	Ver.	Replacement for	Revision	Iteration	Level	Scale	Drawing No.	Size	Sheet
G40031	27.09.2022	Ne	Na	--	8	5	Released	1:2	0-47129-3A-0-EN	A1	6/9

series 18 / series 19 / SECURITY 19 Handles

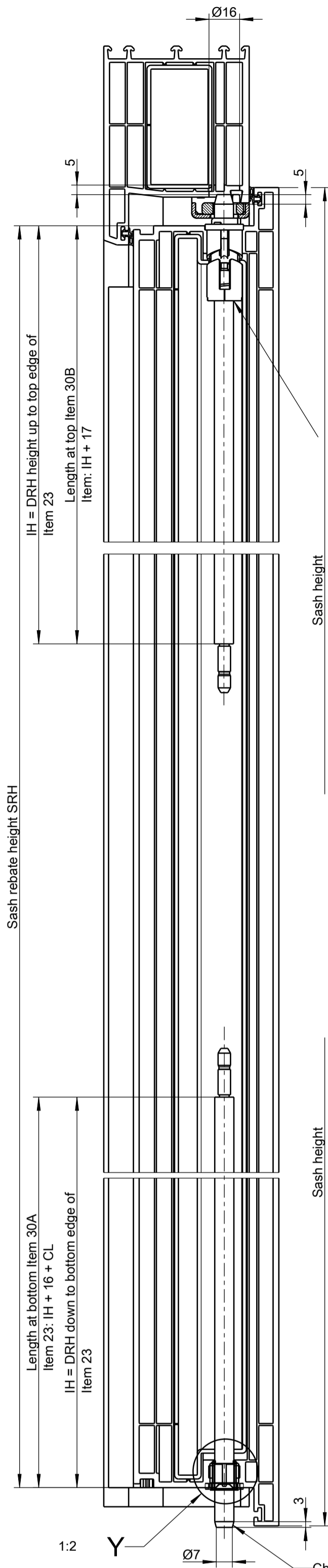
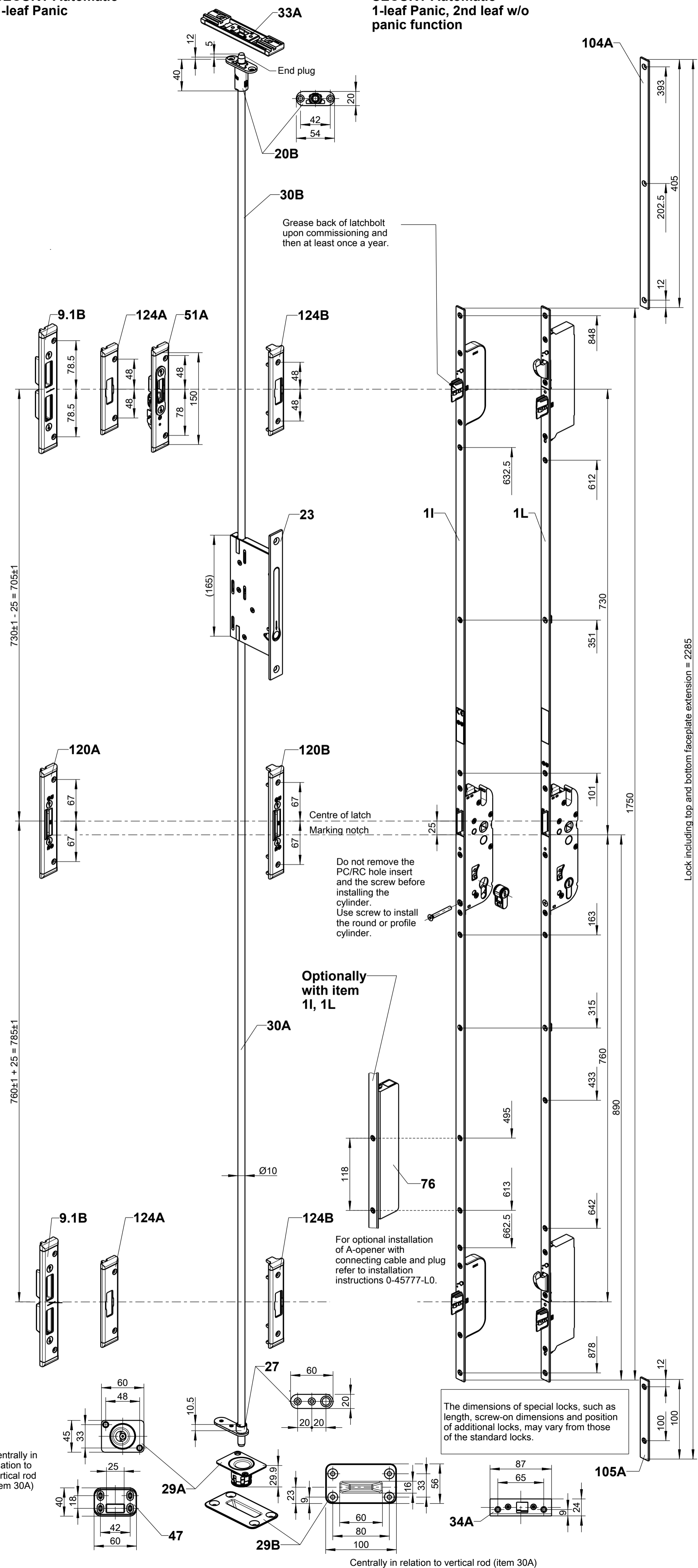


The documents accompanying this product were issued when the product was manufactured. You should verify at www.gu.com if the technical documents you have at hand are up to date. For more information, please contact your local GU representative.

EN FR ES RU

**SECURY Automatic
1-leaf Panic**

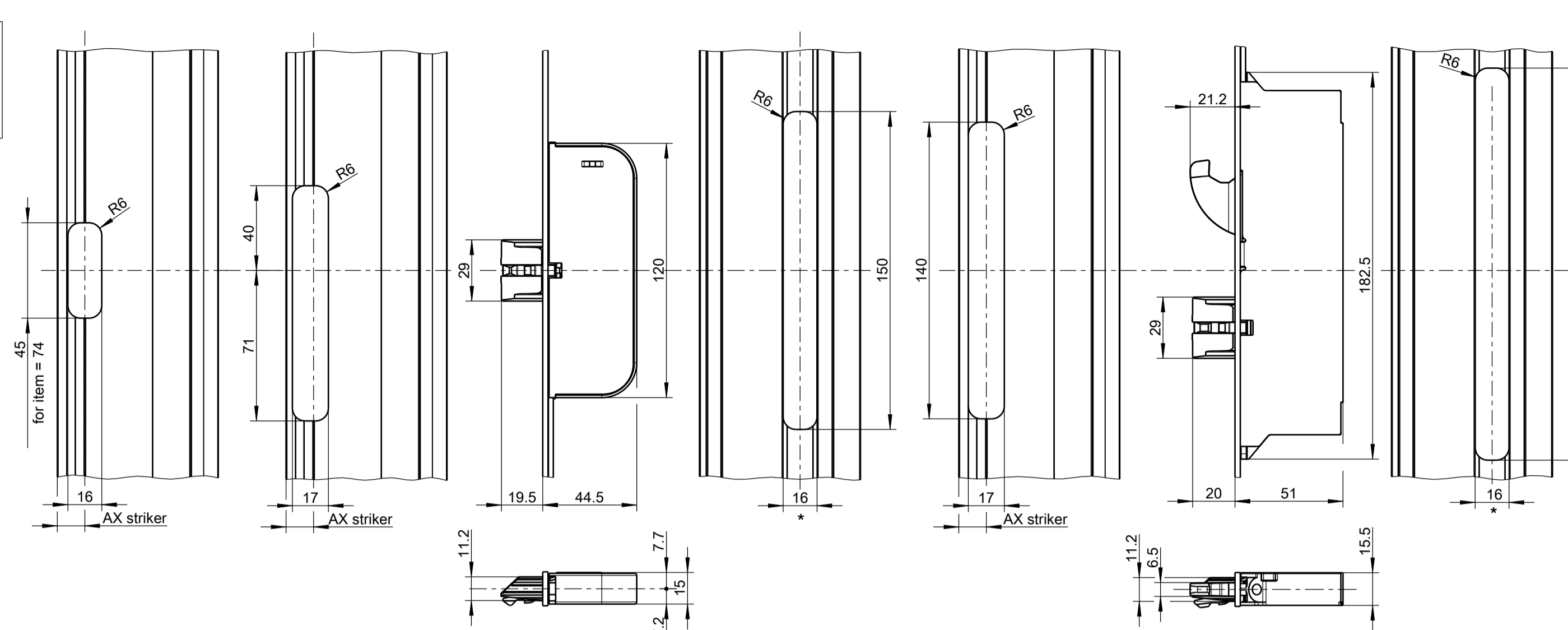
**SECURY Automatic
1-leaf Panic, 2nd leaf w/o
panic function**



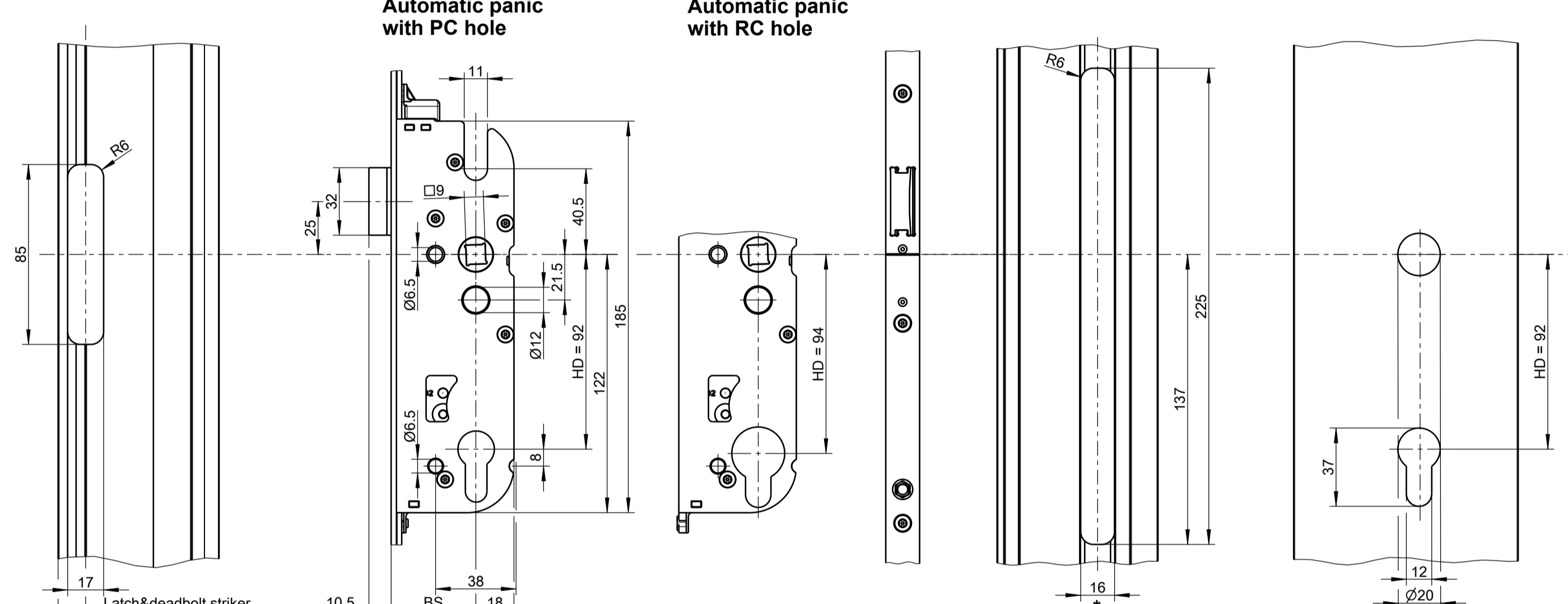
Installation and operating instructions:
B 1899 lever-operated shoot-bolt lock:
C59838000
Observe the instructions for determining
the vertical rod length.

Select through-hole
diameter for
vertical rods (top +
bottom) in a way
that the rods can
move freely after
the rod guide and
passive-leaf control
lock are fixed!

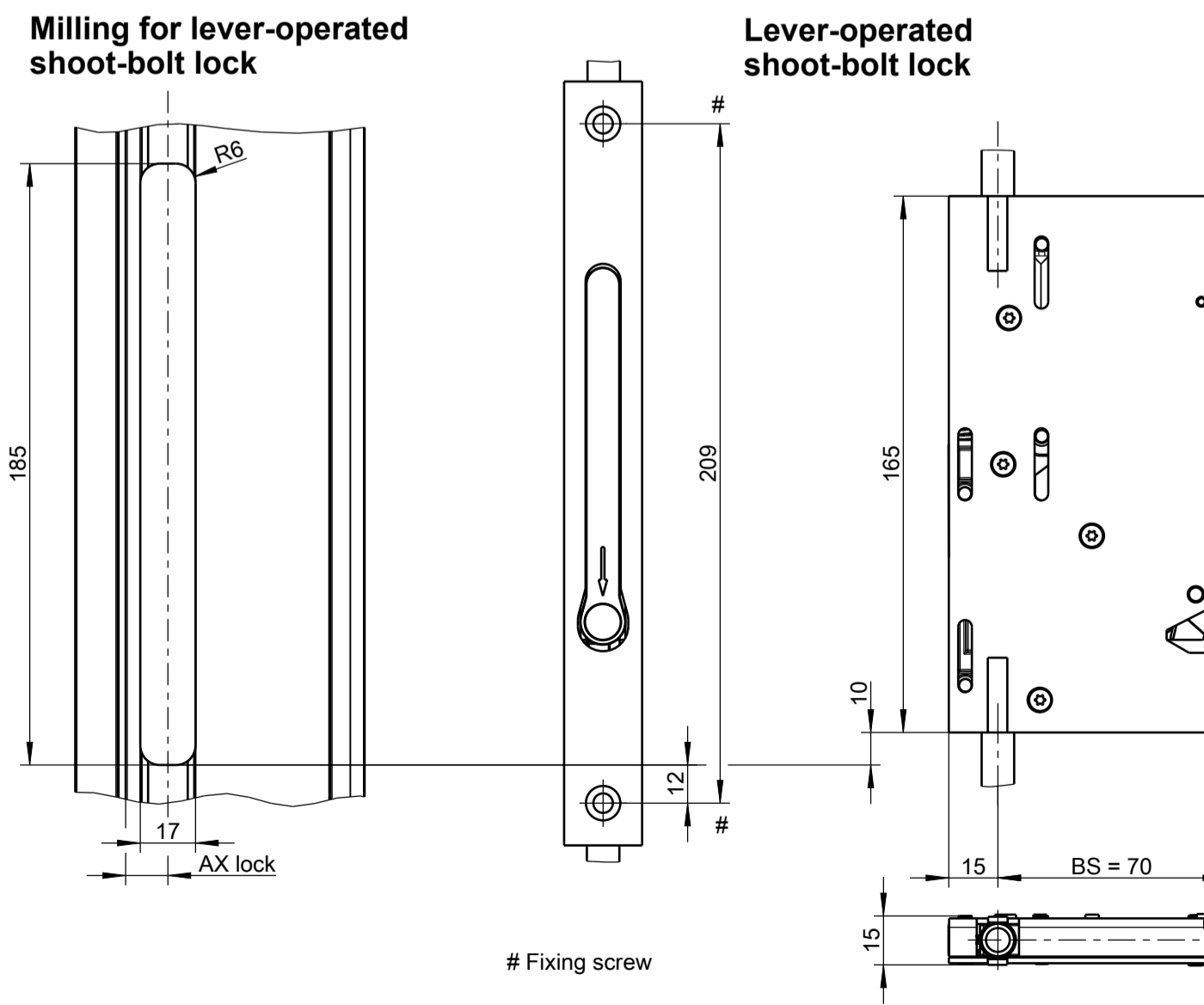
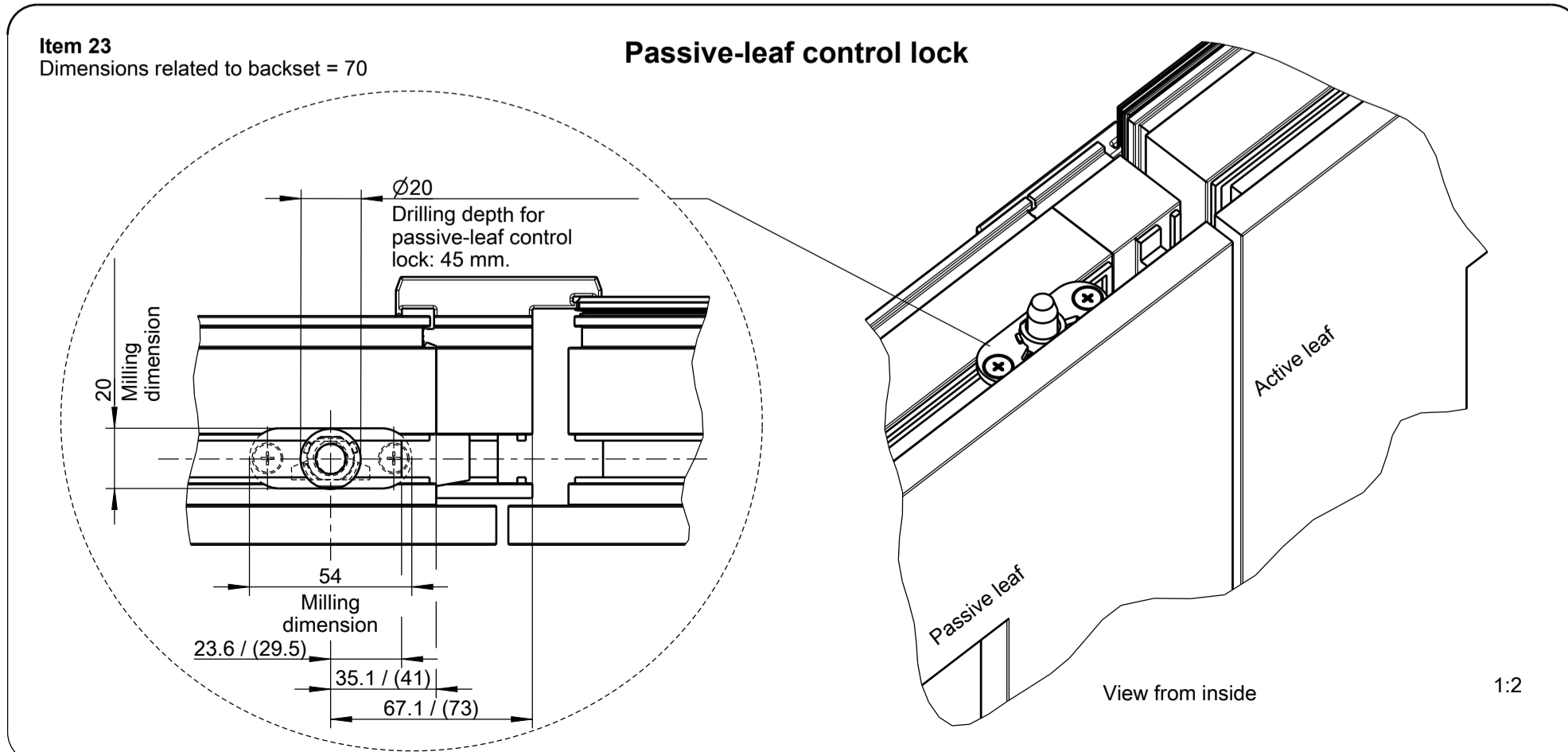
**Frame milling for
striker** **Frame milling for striker
with monitoring contact** **Latchbolt** **Leaf milling for
Automatic latchbolt** **Frame milling for
striker** **Automatic
double bolt** **Leaf milling for
Automatic4 bolt**



**Frame milling for L&D
striker** **Lock case
GU-SECURY
Automatic panic
with PC hole** **Lock case
GU-SECURY
Automatic panic
with RC hole** **Leaf milling for lock case
GU-SECURY Automatic panic** **Leaf milling for PC hole**



* For faceplate
16 aim at
dimension 15.5

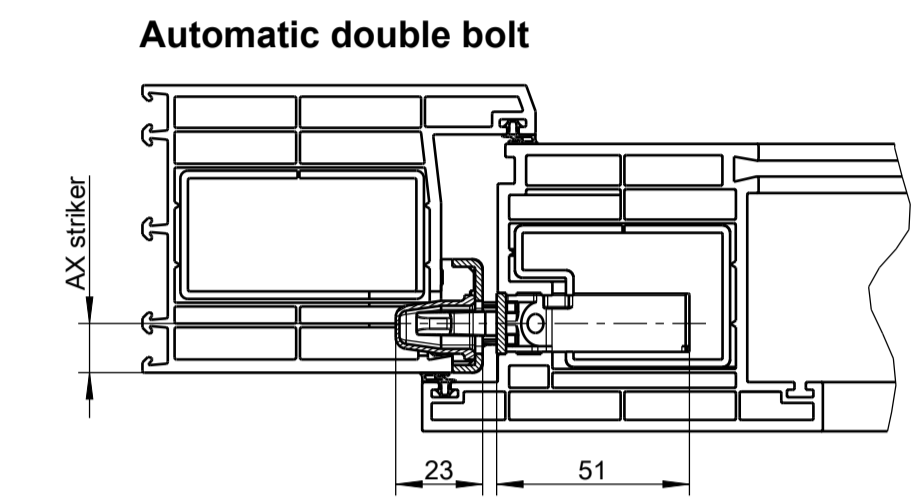
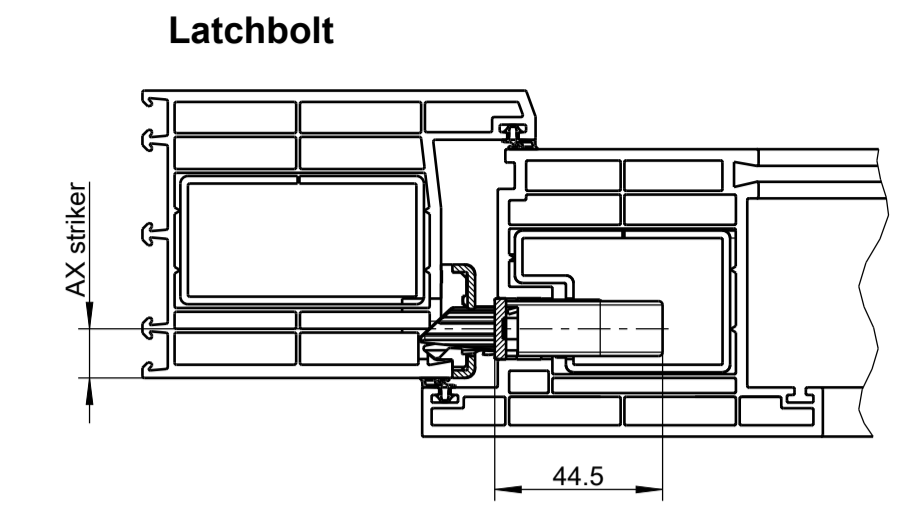
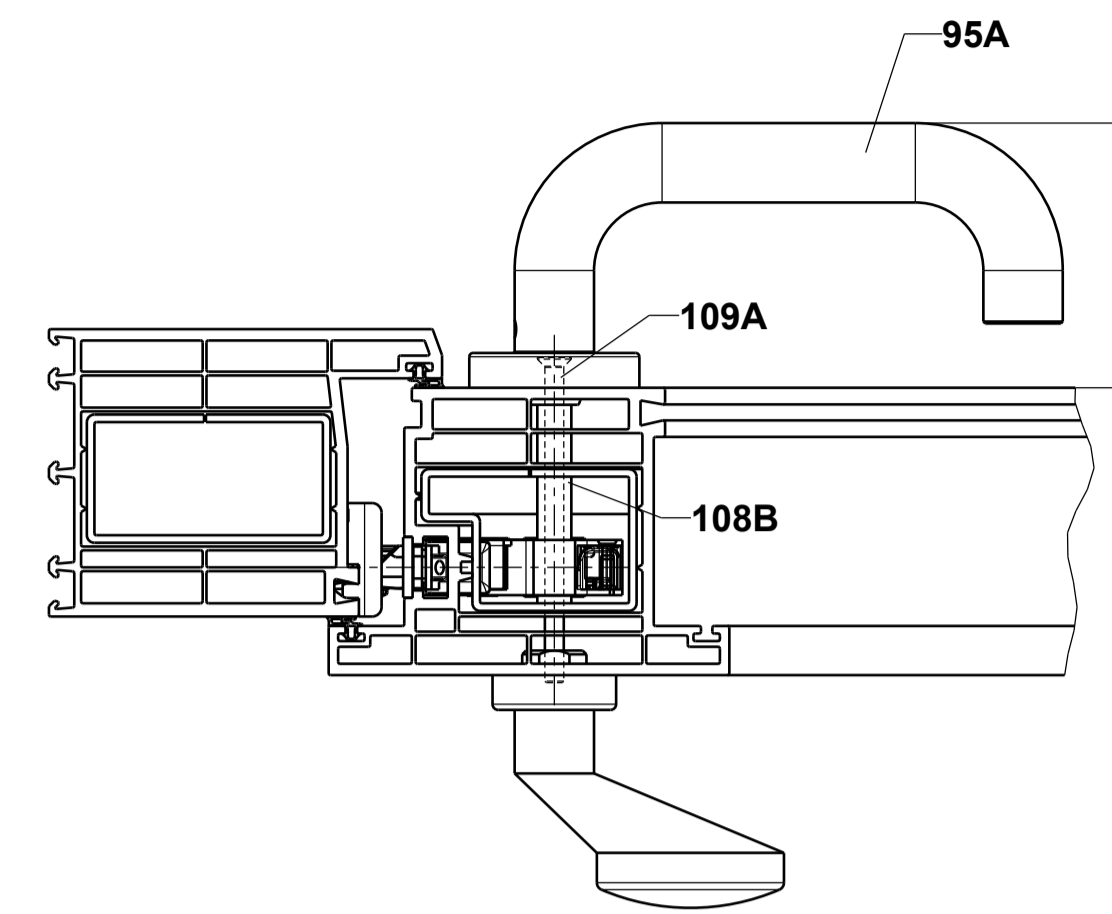
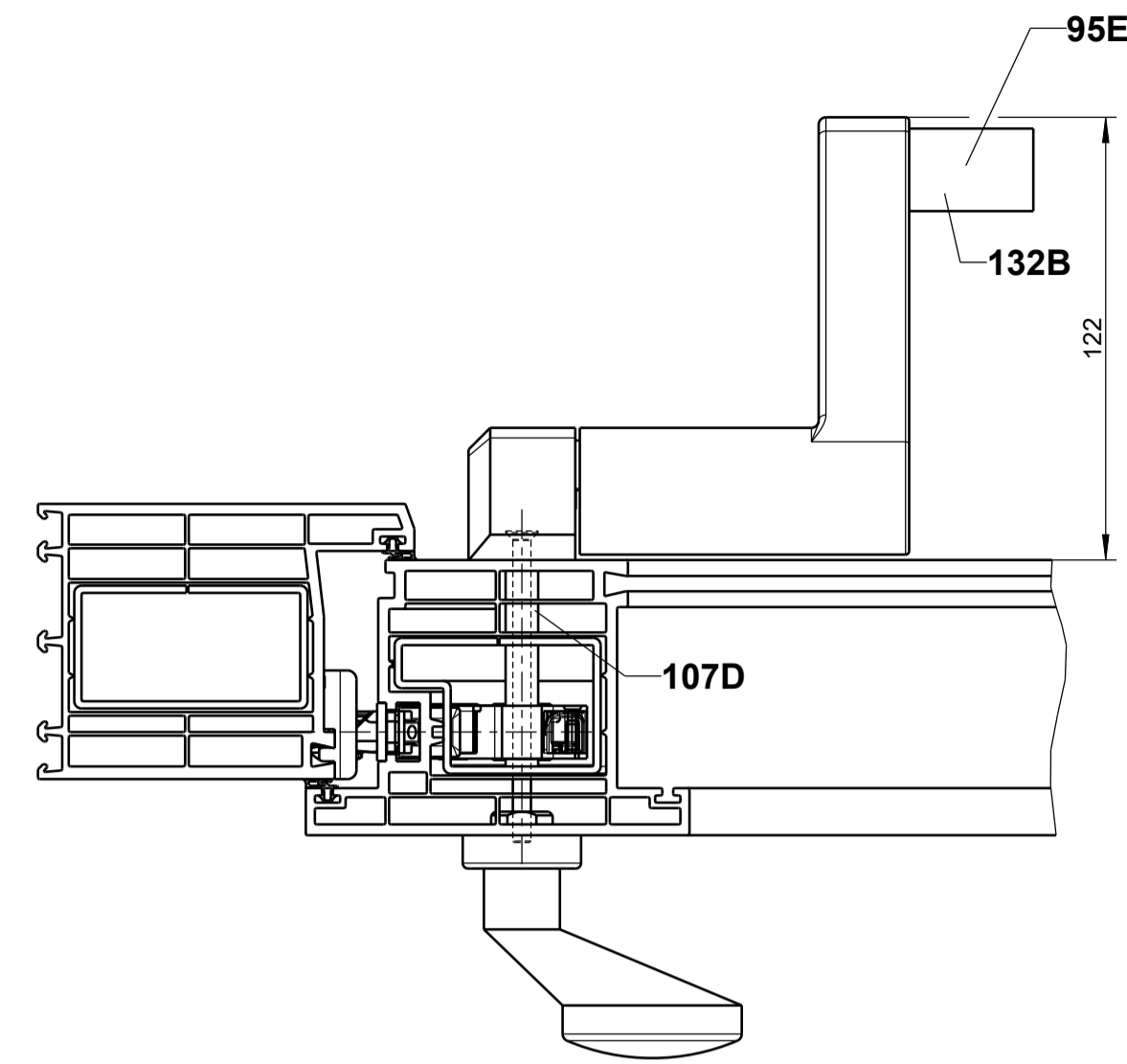
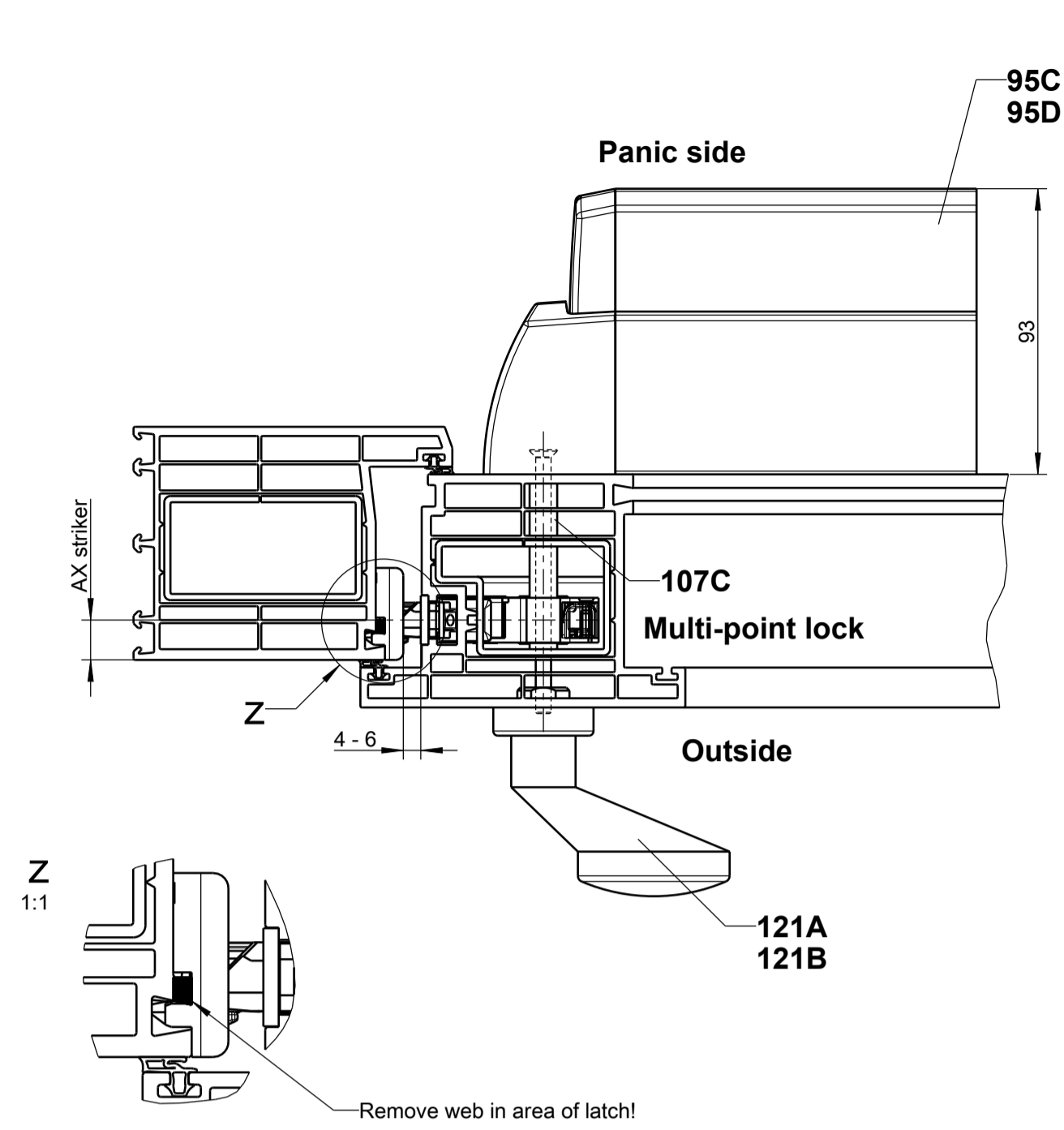


GU-SECURY Automatic panic

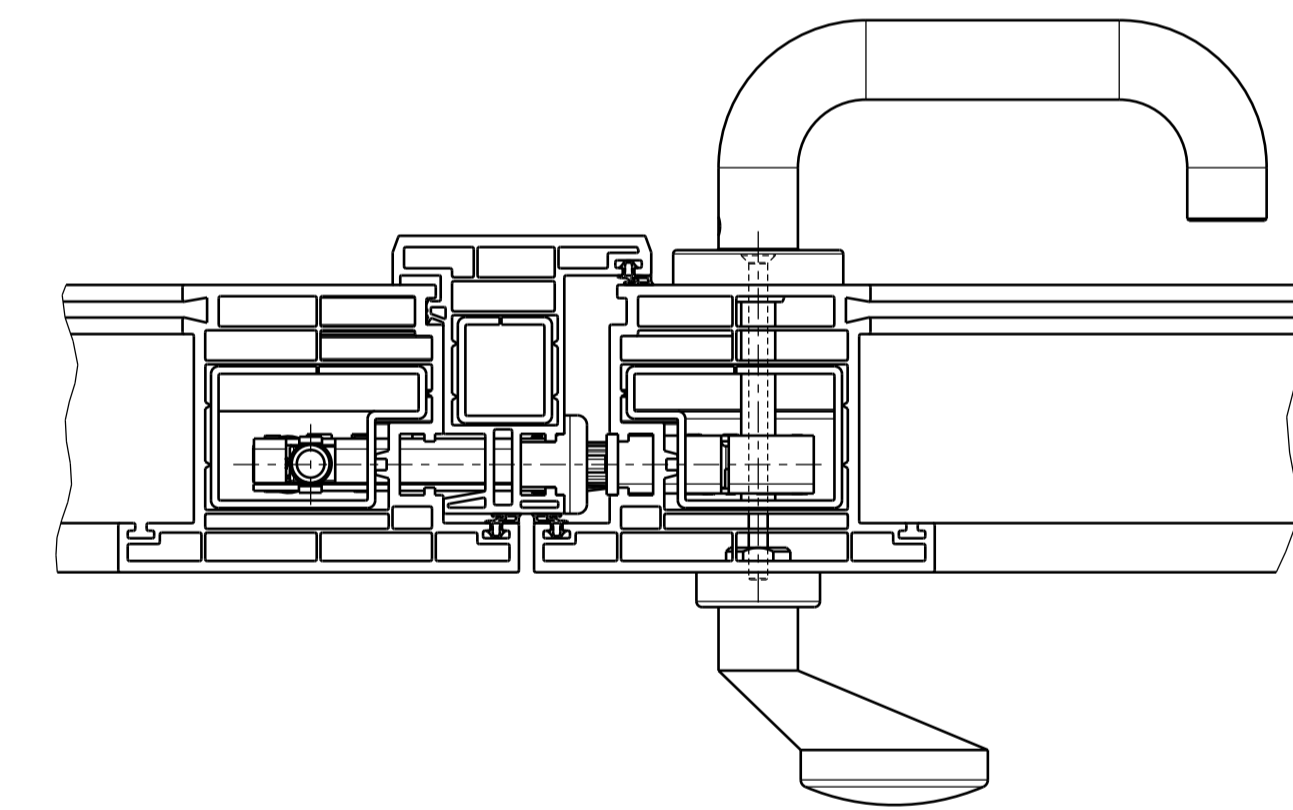
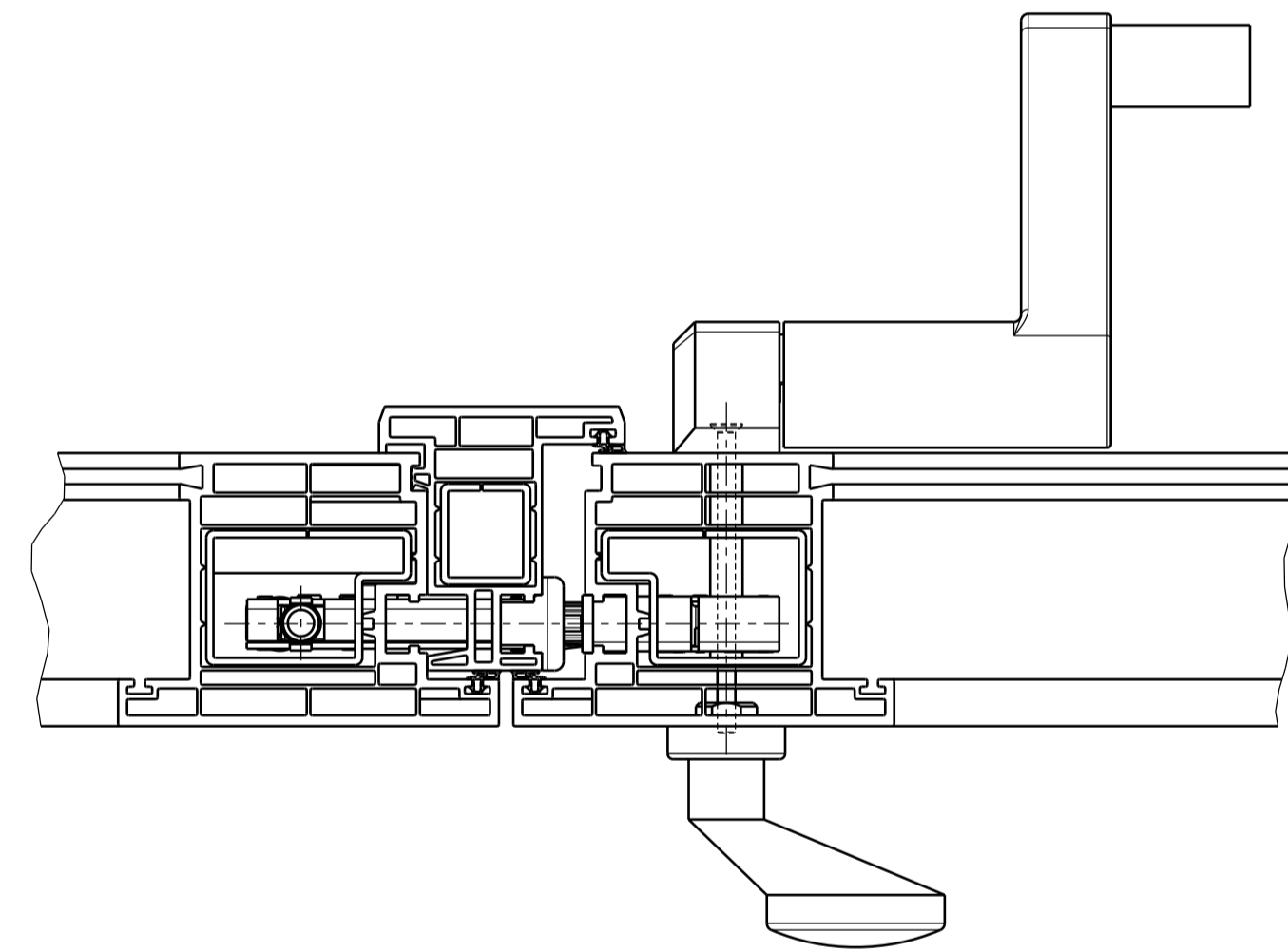
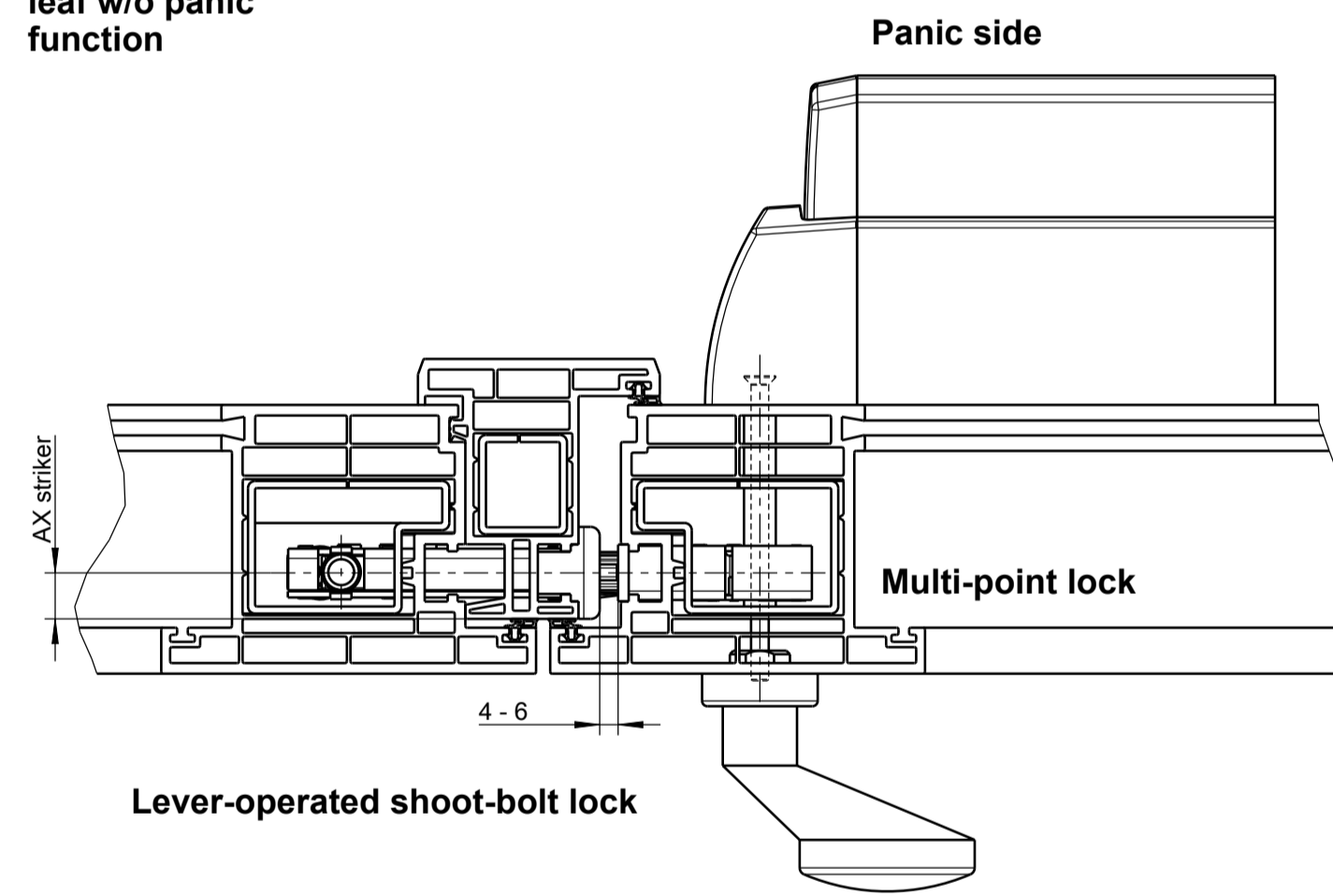
The documents accompanying this product were issued when the product was manufactured.
 You should verify on www.gu.com if the technical documents you have at hand are up to date.
 For more information, please contact your local distributor or the technical department.

GU
 EN, FR, ES, RU

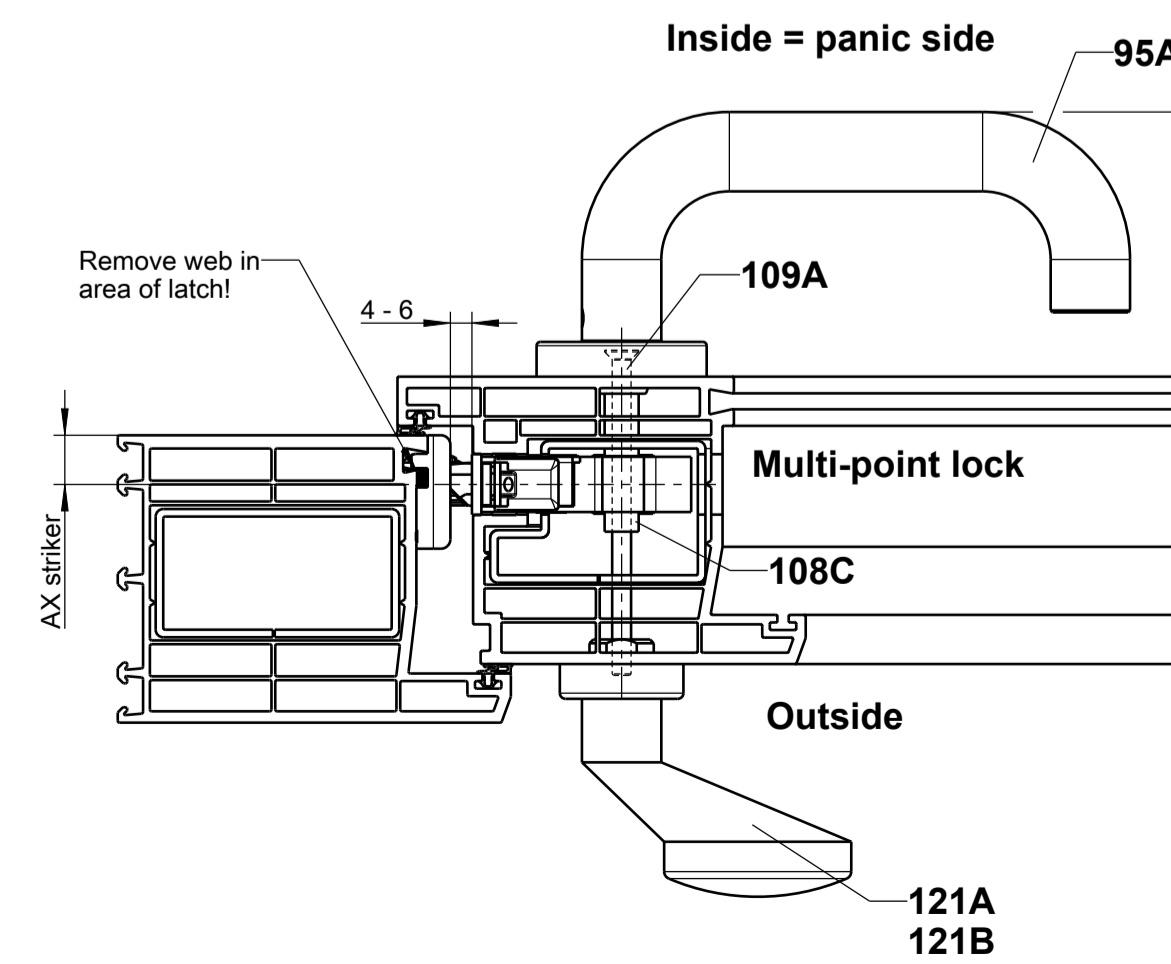
1-leaf Panic



1-leaf Panic, 2nd leaf w/o panic function



1-leaf Panic Inward



GU-SECURITY Automatic panic Handles

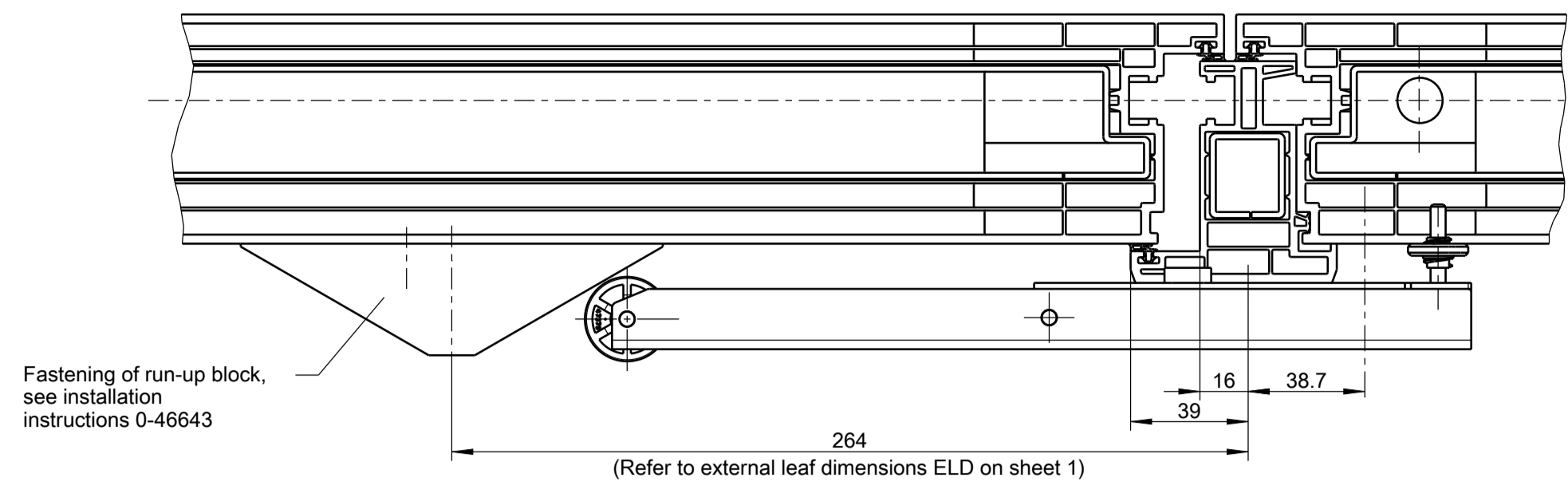
AX = axis

Description:
GU-BKS multi-point panic lock according to EN 179 and EN 1125 Neutral PVC profiles

GU	Date	Change No.	Sig	Ver.	Replacement for	Revision	Iteration	Level	Scale	Drawing No.	Size	Sheet
	27.09.2022	G40031	Ne	Na	--	8	5	Released	1:2	0-47129-3A-0-EN	A1	8/9

The documents accompanying this product were issued when the product was manufactured. You should verify at www.gu.com if the technical documents you have at hand are up to date. Go back to the latest edition of our technical documents.

GU

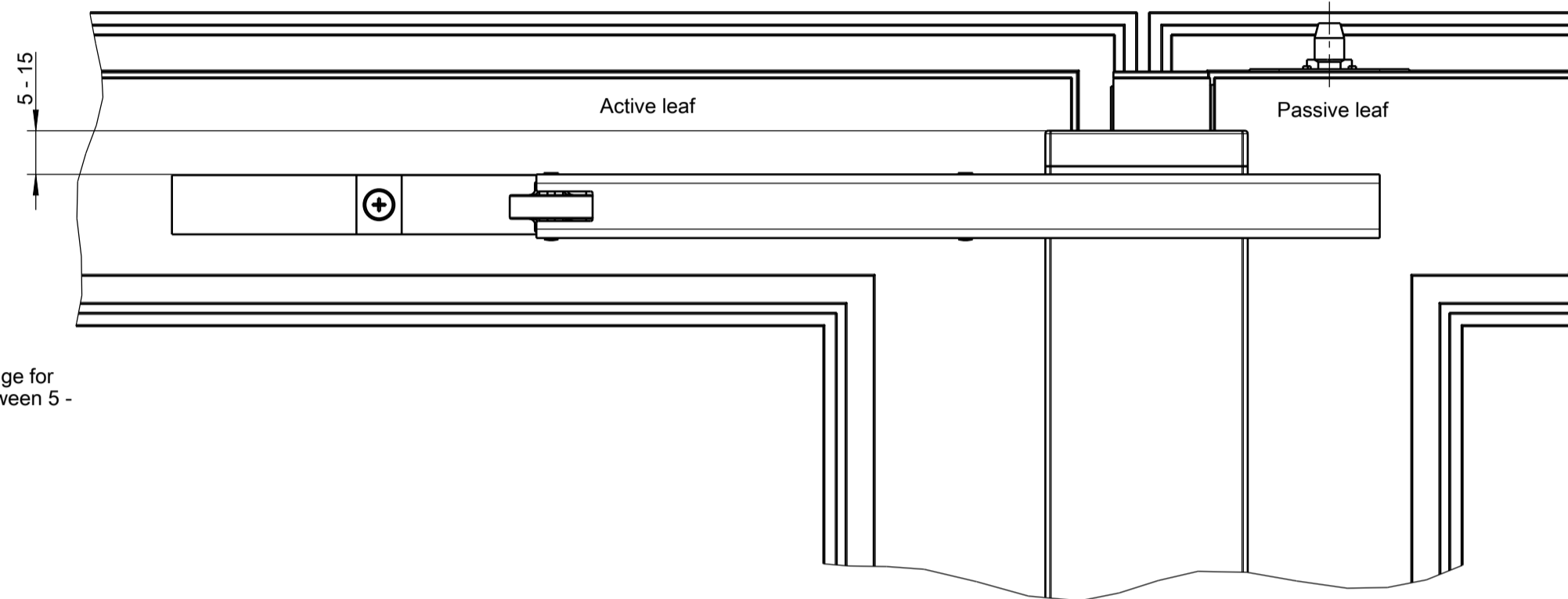


Fastening of run-up block, see installation instructions 0-46643

It is necessary to use weldable corner connectors in the area of the dummy-mullion profile (preferably clampable connectors without screws)!

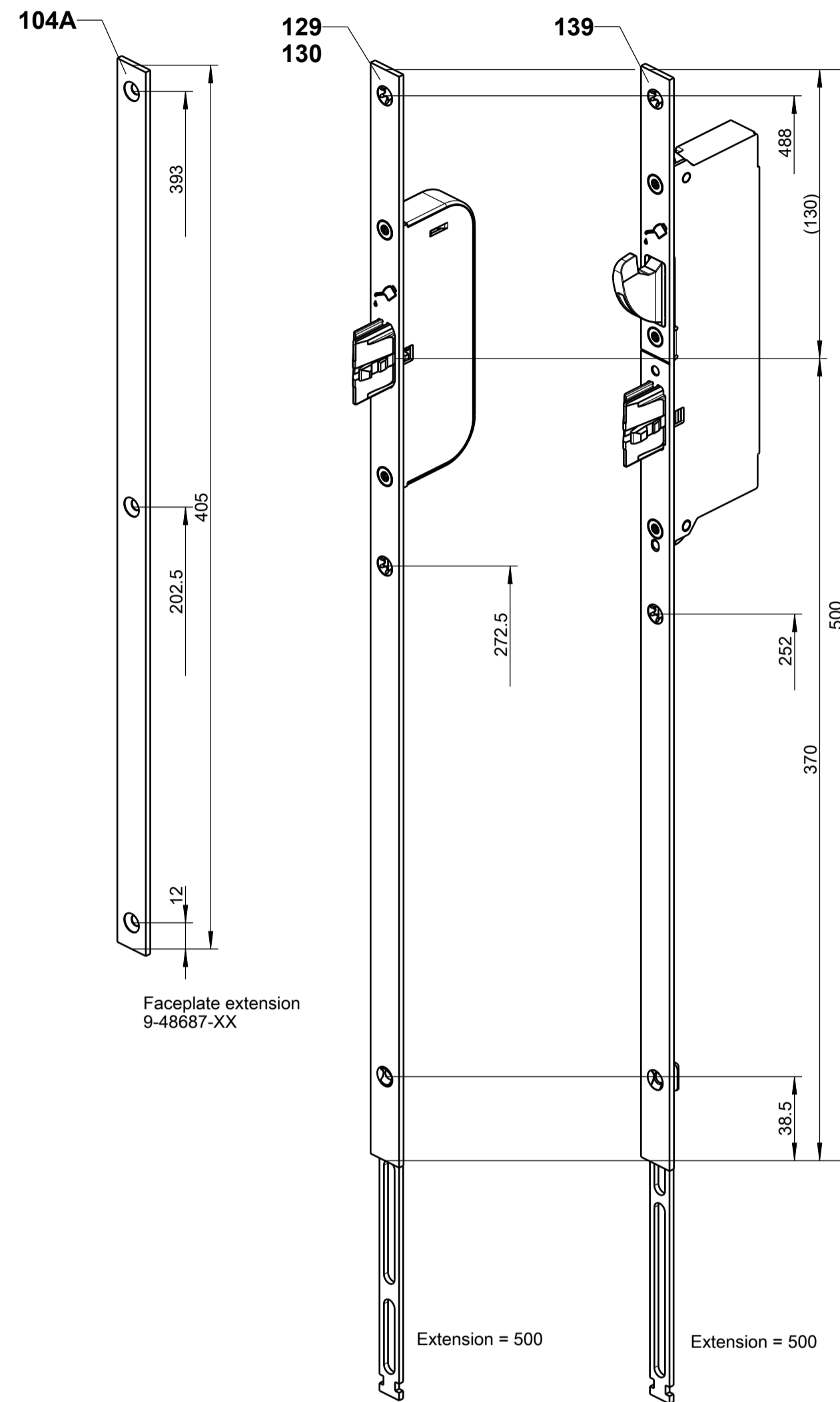
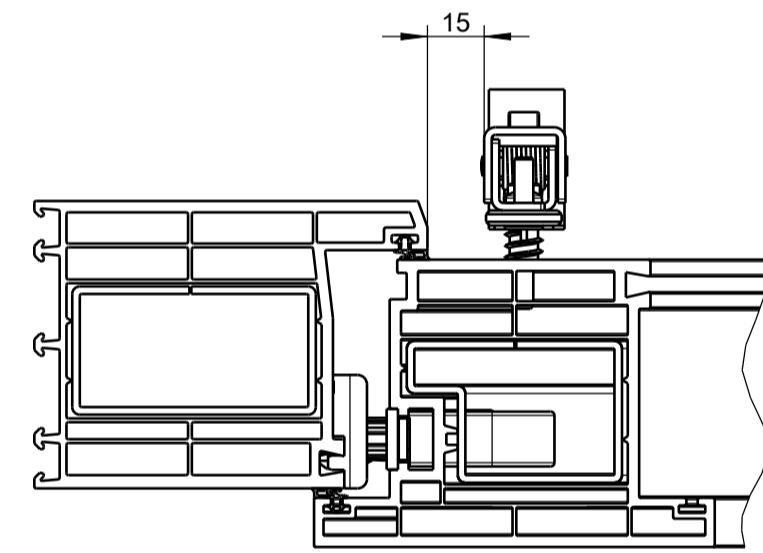
The carrier bar is installed in the area of the corner connector and the dummy-mullion profile at the top of the door. It is therefore especially important that in this area the dummy-mullion profile is adequately fixed to the door leaf profile. Beyond the instructions of the profile manufacturer, additional fixing points might be necessary (filling pieces in the upper area of the door leaf).

Follow installation instructions 0.46521 for the carrier bar.



Positioning range for carrier bar between 5 - 15 mm

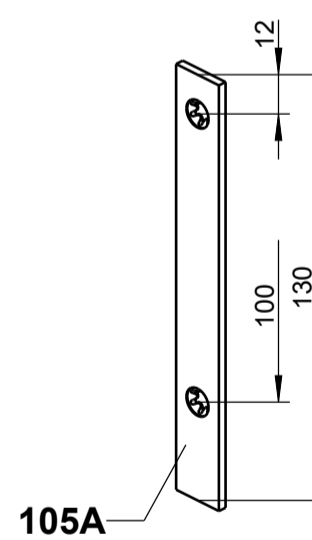
View from inside



Faceplate extension 9-48687-XX

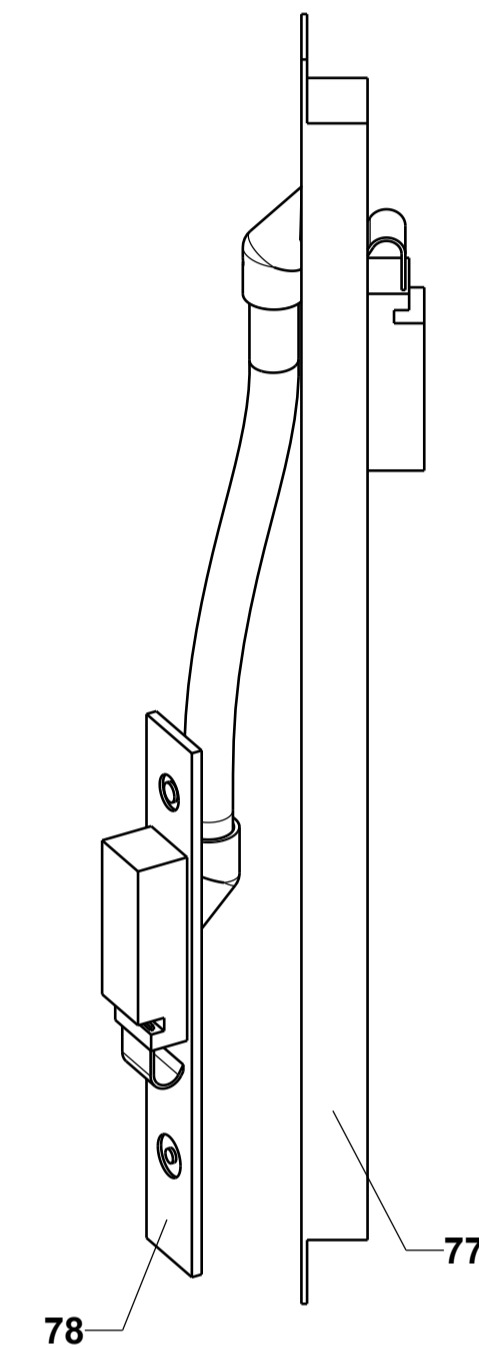
Extension = 500

Extension = 500



Faceplate extension 9-48686-XX

Cable link



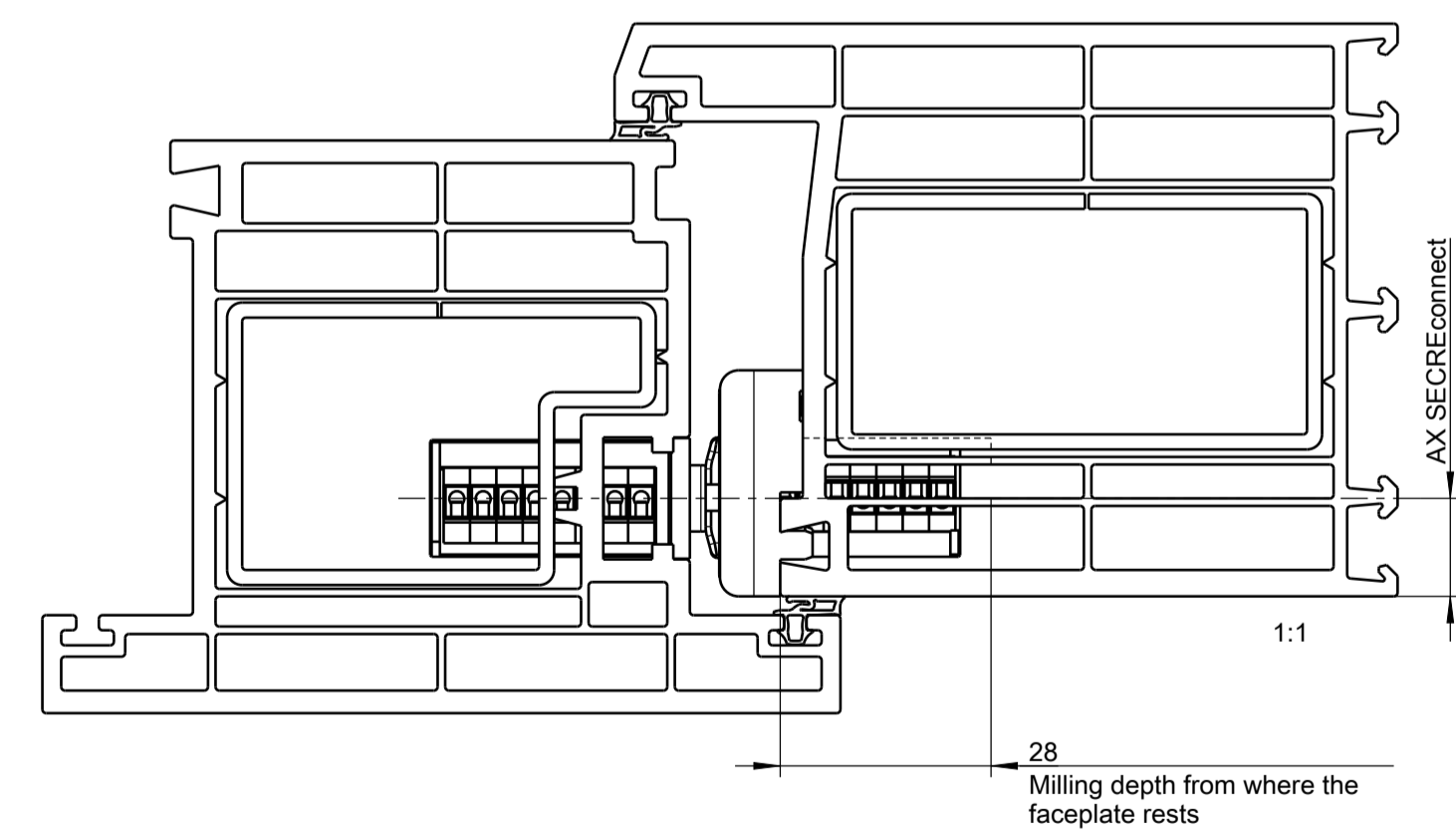
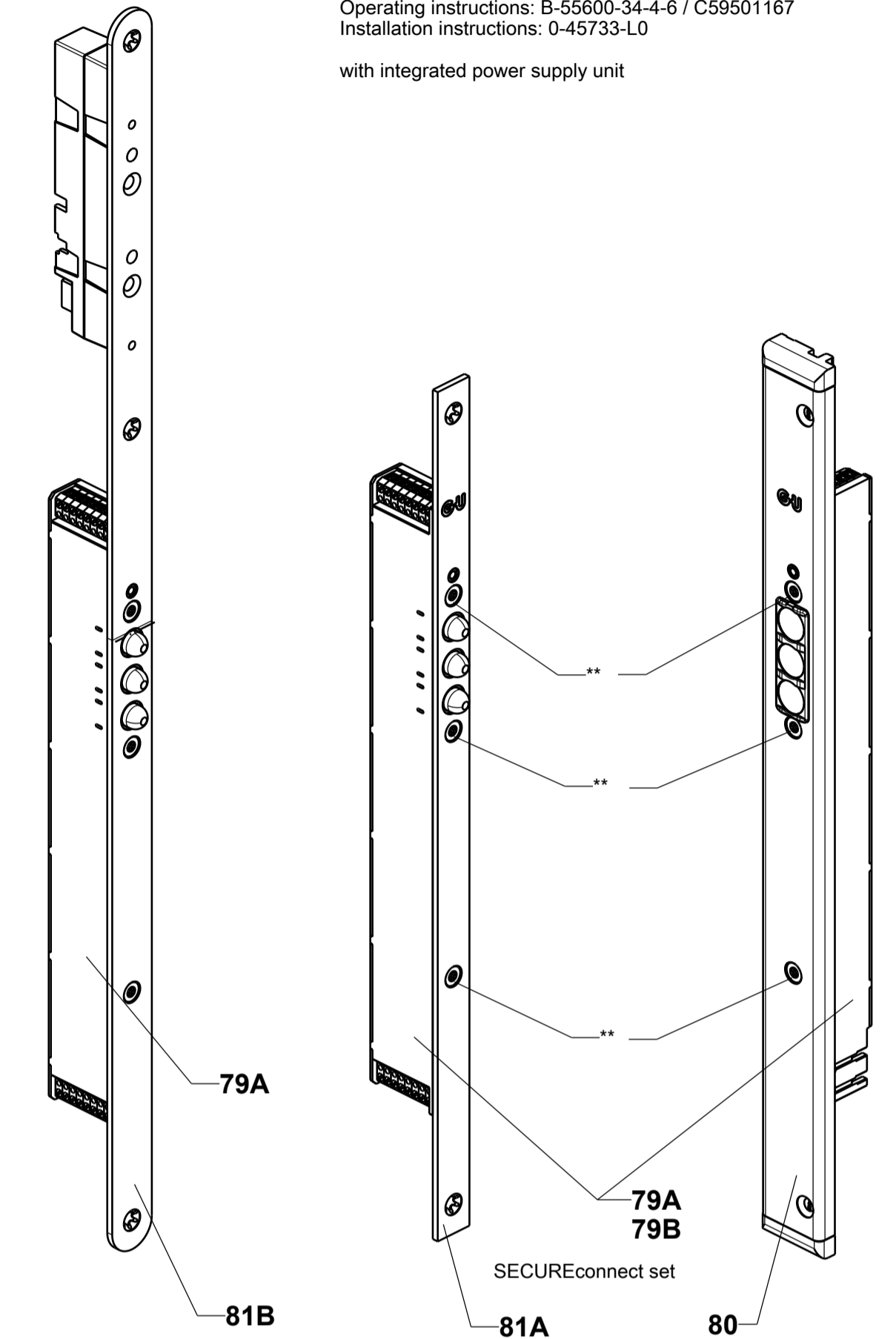
Detachable due to pluggable connector (provided detachable type of cable link is used)

Installation instructions 0-45510

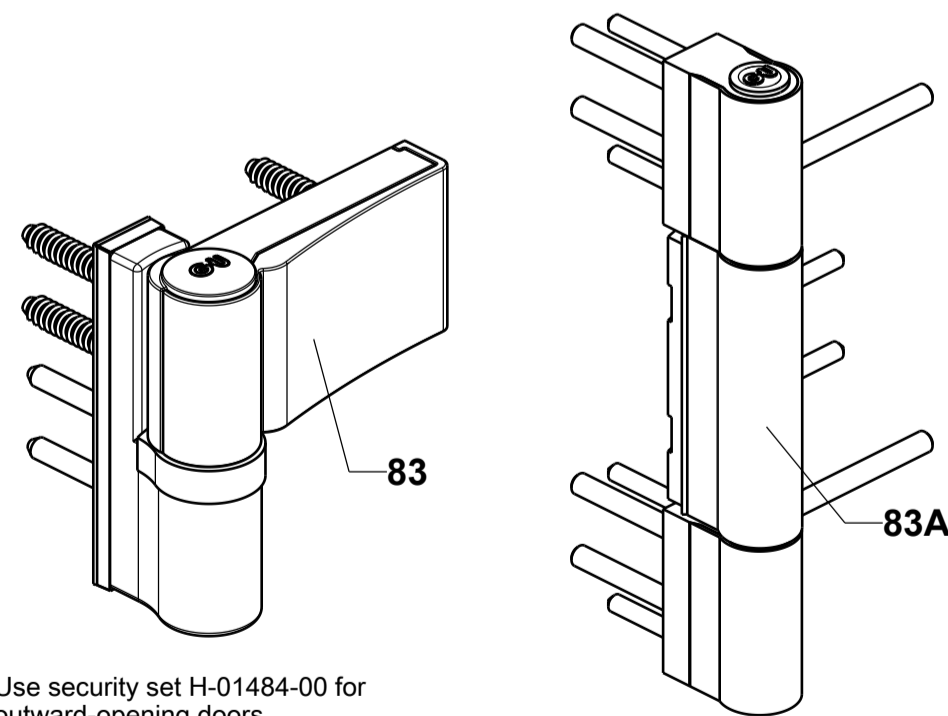
See order catalogue.

SECUREconnect

SECUREconnect U-faceplate with moulding
 Operating instructions: B-55600-34-4-6 / C59501167
 Installation instructions: 0-45733-L0
 with integrated power supply unit



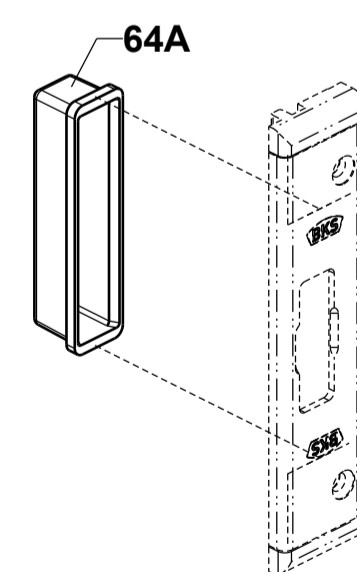
House entrance door hinge



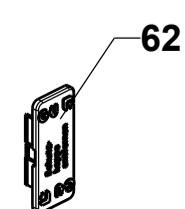
Use security set H-01484-00 for outward-opening doors.

See order catalogue.

Possible from axis 11



Cover plate for latchbolt 9-40010-00



Use and attachment of cover plate see drawing 0-44015-L0.

AX = axis

Accessories

Description:
 GU-BKS multi-point panic lock according to EN 179 and EN 1125
 Neutral PVC profiles

GU	Date	Change No.	Sig	Ver.	Replacement for	Revision	Iteration	Level	Scale	Drawing No.	Size	Sheet
	27.09.2022	G40031	Ne	Na	--	8	5	Released	1:2	0-47129-3A-0-EN	A1	9/9