

belvius product range – one key for all eventualities

- 1 **Double cylinder:** available as standard cylinder with special cylinder cams or with additional features
- 2 **Half cylinder:** can be used universally in many additional locks
- 3 **Knob cylinder:** the cylinder thumbturn can be selected, exchanged or replaced
- 4 **Padlock:** also available with extra-thin or high shackles
- 5 **Rim cylinder:** locks or unlocks rim locks from the outside of the door
- 6 **Cylinder cam lock:** suitable for wide range of letter boxes and cabinets with different locking levers

Do you have any questions?
Your specialist dealer will be pleased to give you advice.



Security has a name, or to be more precise, a brand – BKS

BKS GmbH, a member of the Gretsche-Unitas group, stands for more than 100 years of experience in the development and manufacturing high quality locking systems. Ever since the round cylinder was developed in 1938, BKS GmbH has been, and still remains today, a market leader in the field of locking technology and security.

BKS cylinder systems offer individual tailor-made solutions. They are manufactured according to exacting quality standards. Opting for a BKS master key system, you choose outstanding quality of function and design. Countless patents and certificates testify to the innovative prowess of all BKS products. They give you flexible design options, also when retrofitting in existing buildings.



„When you opt for the high quality belvius reversible key system you are choosing innovative technology, state-of-the-art design and convenience.“



Gretsche-Unitas GmbH
Baubeschläge
Johann-Maus-Str. 3
71254 Ditzingen
Germany
Tel. +49 71 56 30 1-0
Fax +49 71 56 30 1-77980

BKS GmbH
Heidestr. 71
42549 Velbert
Germany
Tel. +49 20 51 20 1-0
Fax +49 20 51 20 1-9733

www.g-u.com

Your security specialist dealer

Copyright notice

© All illustrations and texts in this brochure are protected by copyright. Unless otherwise stated on the image, the rights belong to the Gretsche-Unitas group. Any use of copyright protected materials without the consent of the holder of the rights is prohibited.

Publisher

Gretsche-Unitas GmbH Baubeschläge | Johann-Maus-Str. 3 | 71254 Ditzingen, Germany
Tel. + 49 71 56 3 01-0 | Fax + 49 71 56 3 01-2 93

WP01022-04-2-2 03/2023 Printed in Germany



MORE SECURITY

Combining technology and design for more security

Reversible key system

| A company of the Gretsche-Unitas group

belvius



Combining technology and design for more security

When you opt for the high-quality belvius reversible key system, you are choosing a high level of security and greater comfort. If you are looking for unique design, intuitive straightforward handling and a wide range of products, then this reversible key is perfect for you.

The reversible key is symmetrical, so it always fits in the cylinder no matter which way round you insert it. In poor lighting conditions or if visibility is impaired, the belvius provides greater locking convenience. The most exacting security demands are catered for with protection against manipulation and a range of versions with copy protection.

The belvius, belvius SL and belvius SLX series provide further options in relation to protection against manipulation and locking functions.

FEATURES

- Reversible key technology: the key is very convenient to use, even in poor lighting conditions
- The key does not have any sharp edges which makes it more comfortable to carry in a bag, for example
- Protection against picking and bumping as standard
- First class drilling/picking protection
- Concealed or movable copy protection as technical protection against illegal key copies
- New patent provides legal protection against illegal key copies
- Less wear and greater stability with more sturdy keys made of nickel silver
- The belvius SL and belvius SLX series provide even greater protection against manipulation and more locking functions
- Ideal for security hardware with cylinder cover thanks to extended key shoulder
- Comprehensive range caters for individual preferences and requirements
- The purple-coloured ball in the key head delivers design with recognition value and stands for tried-and-tested brand quality by BKS

belvius: high level of security and convenience

The comprehensive range of products which is available for this flexible and comfortable reversible key system means it can be used in many different areas. The belvius can also be used together with special locks, padlocks and furniture locks as well as letterbox cylinders, which means it has a solution for more or less any application.



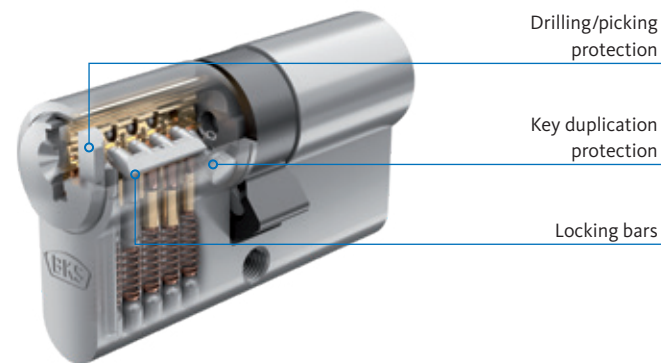
Copy protection: you can opt for a concealed or movable key duplication protection so you do not have to make any compromises in relation to protection against illegal copies.



Protection against manipulation: hardened anti-picking and anti-bumping pins provide fundamental protection at all times. Optional additional protection is available in the form of drilling/picking protection, as well as the belvius SL and belvius SLX versions.



Flexibility: mechanical, mechatronic and electronic access points can be perfectly combined by integrating the electronic locking system ixalo | SE.



BKS offers documented security – verifiably protected. If you need a new key or cylinder, you can safely and reliably verify your identity by presenting the BKS security card to your specialist dealer personally and also very easily and conveniently from home with the new BKS identification app.



BKS identifikation

Authentication for reordering keys and cylinders via app!

