

1-leaf panic/emergency door			
Item	Description	Part no.	Remark
6H	Multi-point lock SECURITY ePOWER PT1 SH3, function T, outward	K-19654-99	
6I	Multi-point lock SECURITY ePOWER NT1 SH3, function T, inward	K-19655-99 on request	Flat faceplate = 24 x 3 U-faceplate = 24 x 6 Backset BS = 35, 45, 55 Hole distance HD = 92 (PC) Hole distance HD = 94 (RC) Follower □9 DLH
6J	Multi-point lock SECURITY ePOWER PE1 SH3, function E	K-19900-99	
8.1A	L&D striker with latch keeper 24 x 3	6-39665-01	
8.1B	L&D striker with latch keeper U-faceplate 24 x 6	6-39665-02	
8.1C	L&D striker with latch keeper U-faceplate 24 x 8	6-39665-03	
8.1D	Latch&deadbolt striker 24 x 3	[1] 9-50884-01	
8.1E	Latch&deadbolt striker U24 x 6	[1] 6-39850-01	
8.1F	Latch&deadbolt striker U24 x 8	[1] 6-39850-02	
9.1A	Striker without adjustment 24 x 3	9-50880-01	
9.1B	Striker without adjustment U-faceplate 24 x 6	6-39555-01	
9.1C	Striker without adjustment U-faceplate 24 x 8	6-39555-02	
51A	Striker with monitoring contact without adjustment 24 x 3	6-39463-01	
51B	Striker with monitoring contact without adjustment U-faceplate 24 x 6	6-39464-01	
51C	Striker with monitoring contact without adjustment U-faceplate 24 x 8	6-39559-01	
123A	Contact plate 24 x 3	9-50882-01	
123B	Contact plate U-faceplate 24 x 6	6-39556-01	
123C	Contact plate U-faceplate 24 x 8	6-39556-02	

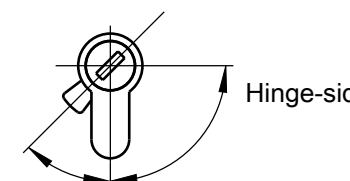
Accessories			
Item	Description	Part no.	Remark
48	Profile guard plate	K-19307-01	
64A	Deadbolt cover	9-39033-00	
65A	Electric strike GU-BKS ET 8		
77	Cable link, detachable, concealed	See order catalogue	
78	Cable link, accessories		
79A	SECUREconnect 200	B-55600-20	
79B	SECUREconnect 50 set	B-55600-34	
80	SECUREconnect U-faceplate with moulding, frame part	6-35515-02	
88	SECUREconnect U-faceplate with moulding, leaf part	6-35515-04	
89B	SECUREconnect with controller and swarf guard	See order catalogue	
90A	Entrance door hinge GU A 316 3D	H-0178X-00	
95A	Narrow stile lever set with rosettes (PC)	B-7203X-11	
95B	Push bar	B-74000-XX	
95C	Touch bar	B-7441X-XX	
95D	Electrically-locking Touch Bar EVT	B-7442X-XX	
104A	Top extension piece	9-48687-XX	
105A	Bottom extension piece	9-48686-XX	
106A	Split spindle	B-78430-XX	
106B	Split spindle	B-78430-XX	
106C	Split spindle	B-78430-XX	
106D	Split spindle (inward-opening)	B-78430-XX	
109A	Fixing screw	B-78500-XX	
136	Cable link with integrated power supply unit	B-5527-0200	
144	Case for holding the power supply unit	B-5527-0230	

Lock version	Rotation angle of follower
Sec. ePOWER PT1	28°

**Attention!**  
The three-dimensional depictions of the hardware components are not true to scale.

The profile sections shown are non-committal suggestions.

**Attention!**  
For profile cylinders with 90° locking cam position: after the installation the cam must point to the hinge-side in key withdrawal position. With the key withdrawn, the cylinder locking cam position must comply with DIN 18252.



All standard profile cylinders according to DIN 18252 can be used. (No freewheel cylinder required.)

The product guidelines of the profile manufacturer regarding construction, assembly, max. sash/leaf dimensions, max. sash/leaf weights and material qualities (e.g. linear profile expansion) are to be observed.

BS = Backset  
HD = Hole distance  
AX = axis  
V = lock position (depending on profile)

The responsibility for safe and durable hardware fastening lies with the door fabricator.

Use fixing screws max. Ø4.2 to install the SECURITY multi-point lock.

Use fixing screws max. Ø 4.5 to install SECURITY accessories.

Do not use drilling screws to fasten the multi-point lock because drilling chips might enter the lock!

[1] Approved only in connection with electric strike

**For commissioning of BKS multi-point locks according to EN 179 and EN 1125 the following points must be observed:**

- The security features of this product are essential for its conformity with EN 179 and EN 1125. Except for the changes described in these instructions, no other changes whatsoever to the door lock are permitted.
- The strikers listed above must be used exclusively.
- For operating the lock in accordance with EN 1125, only the panic push bar types (HD=92 PC / HD=94 RC) B-7402X-XX, B-7100X-XX may be used, and the panic touch bar B-7441X-XX.
- For operating the lock in accordance with EN 179, only the following hardware types may be used: DO 20.10 (BKS GmbH) / DO 20.1, DO 2.17 and DO 25.21 (ECO Schulte) / DO 20.3 (FSB) / VE 30-26 (HEWI) / DO 20.26 (Grundmann) / DO 20.4 (OGRO Beschlagtechnik GmbH) / 229PANIK-6014391-6-5 (Glutz) / DO 20.7 and DO 20.20 (HOPPE) / DO 20.32 (HAFI) / DO 20.4 (Häfele SE & Co KG) / DO 20.33 (Karcher GmbH) / DO 20.16 (edi) / DO 20.35 (FKS) / IFT 235-800 244 (Hermat) / DO 20.52 (Salto Systems) / DO 20.57 (SimonsVoss Technologies)  
Please observe the instructions for installing the hardware.
- If the lock is used on fire protection doors with general technical approval, it is necessary to use fire rated hardware marked 'FS' (see DIN 18273).
- If the lock is used on smoke protection doors with general technical approval, it is necessary to use hardware marked 'RD' (see DIN 18273).
- We recommend that the following maintenance work be performed by the operator or a commissioned third party at intervals not longer than a month:
  - Inspecting and operating the emergency exit device to verify that all of its components are in a proper and operable condition.
  - Verifying that the locking element(s) move(s) freely.
  - The additional latchbolts must project into the strikers freely at any time.
  - The responsibility for the appropriate fastening of hardware components lies with the window and balcony-door fabricator.

Sheet 1	Parts list
Sheet 2	SECURITY system technology L = 1750
Sheet 3	Sectional views of multi-point locks
Sheet 4	Release motor Locking motor Electric strike
Sheet 5	Door hardware for escape doors Motor-driven multi-point lock
Sheet 6	Accessories

XX Size depending on profile, refer to GU order catalogue.

**Parts list**

Description: Multi-point lock SECURITY ePOWER according to EN 179 and EN 1125 Neutral aluminium and narrow stile systems											
Date	Change No.	Sig	Ver.	Replacement for	Revision	Iteration	Level	Scale	Drawing No.	Size	Sheet
13.11.2023	G40710	Ei	Üb	--	7	26	Released	%	0-47438-3A-0-EN	A1	1/6

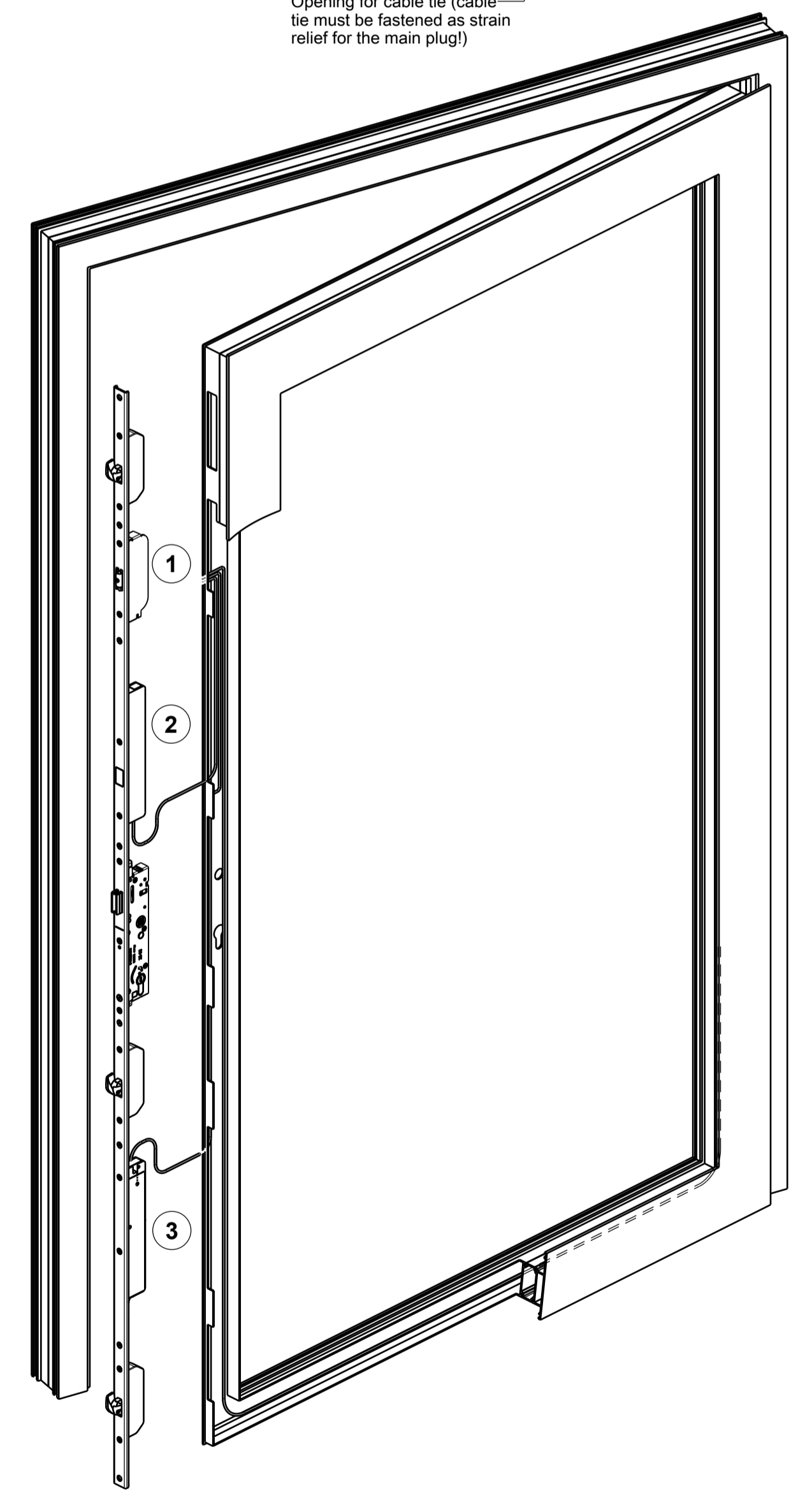
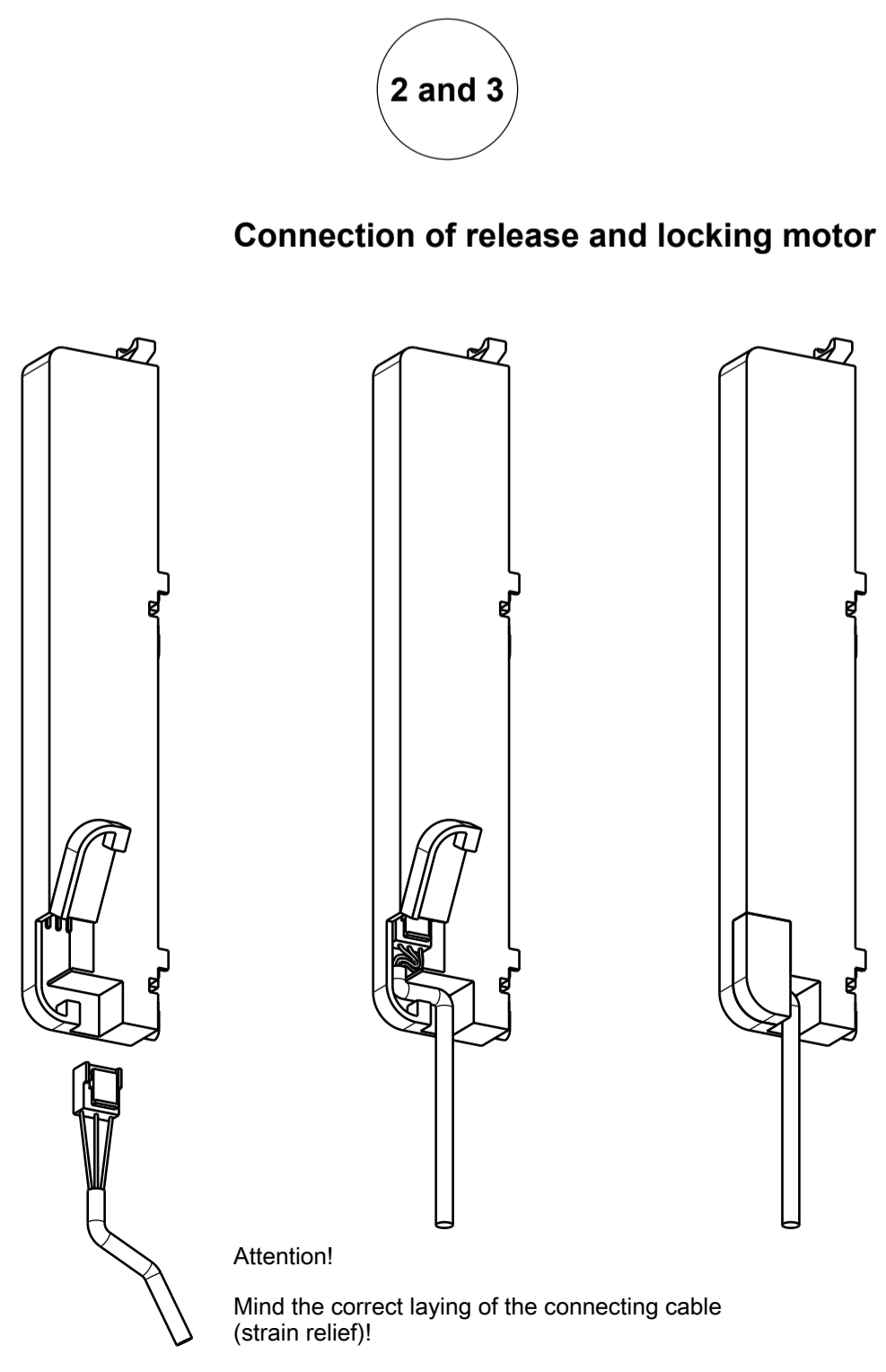
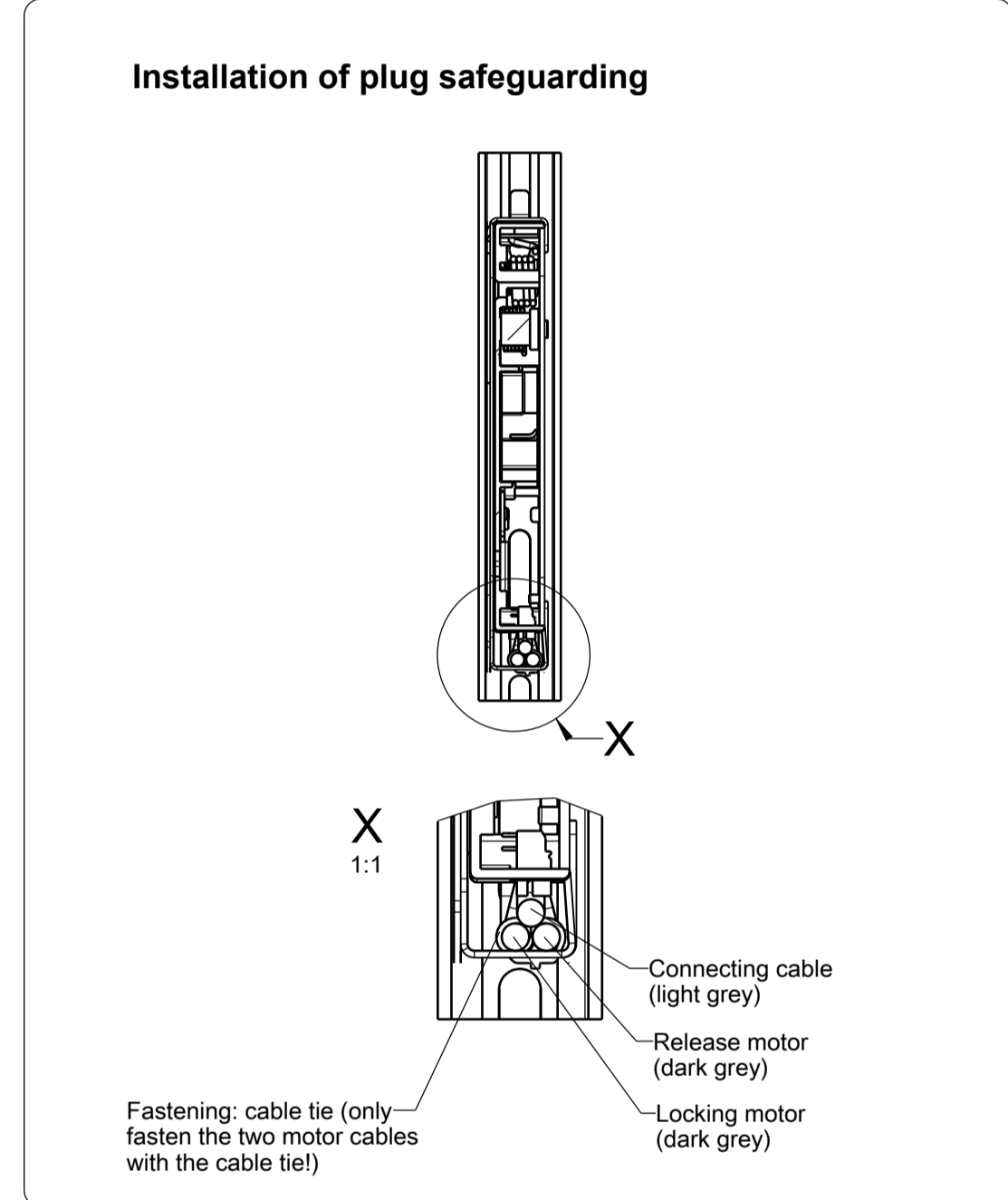
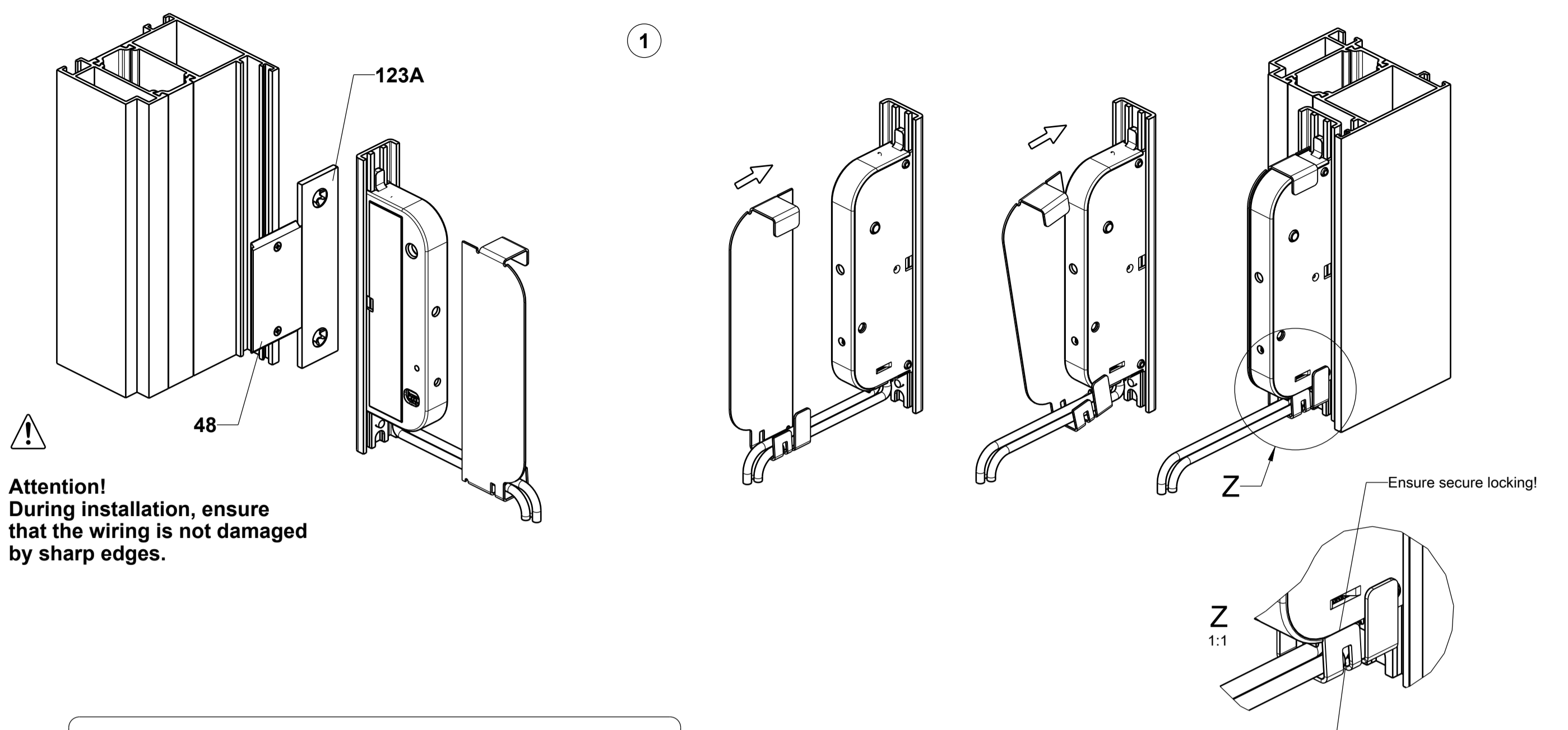
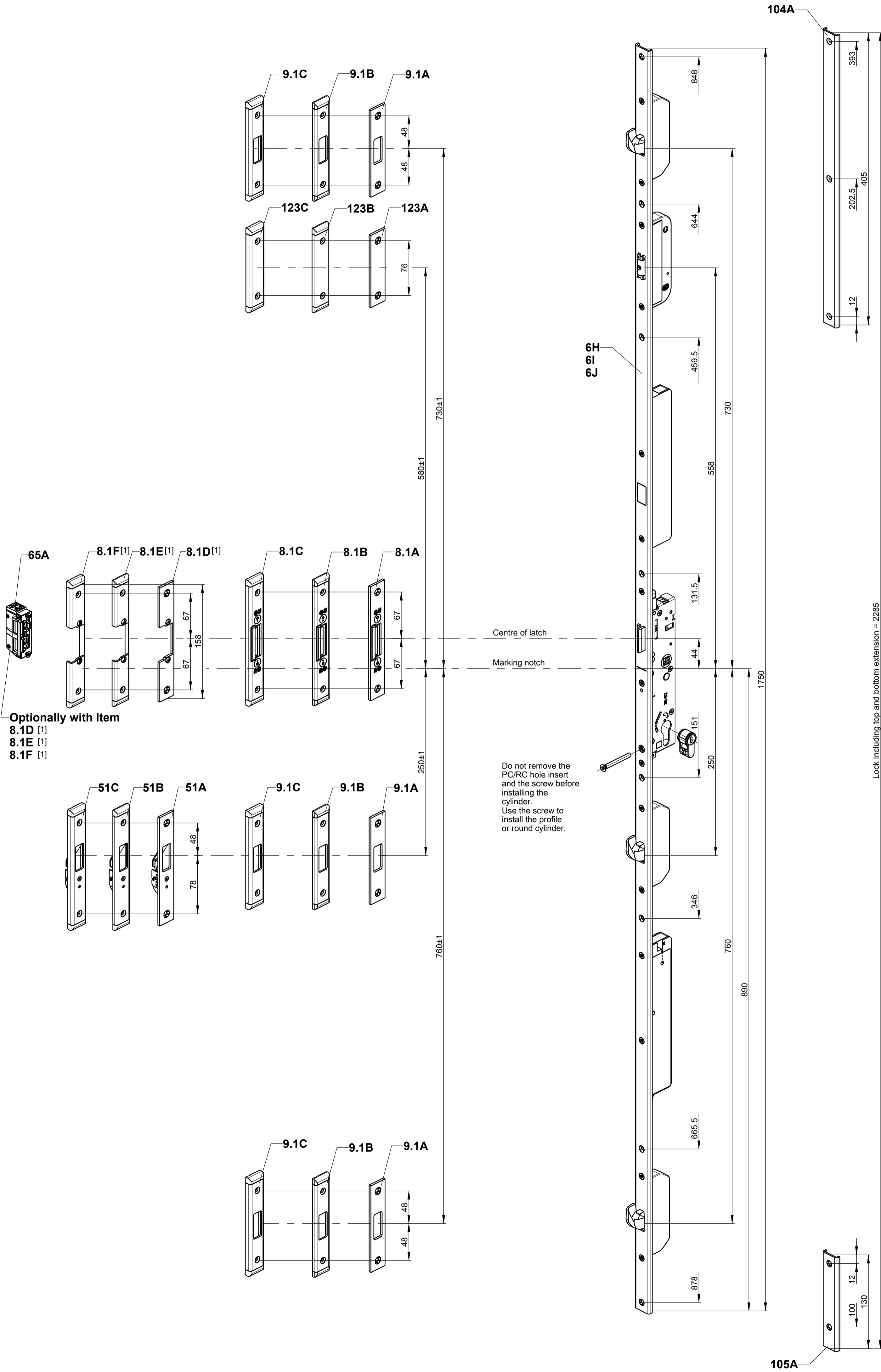


The documents accompanying the product were issued when the product was manufactured. You should verify at www.gu.com if the technical documents you have at hand are up to date. Do not use parts from other product lines or technical documents.

Proprietar drepturi de autor în conformanță cu ISO 15018  
EN FR ES RU

EN FR ES RU

EN FR ES RU  
 The documents accompanying the product were issued when the product was manufactured. You should verify at www.gu.com if the technical documents you have at hand are up to date. Do not use parts from other technical documents.  
 Proprietarile drepturilor de autor sunt rezervate companiei GU.  
 The documents accompanying the product were issued when the product was manufactured. You should verify at www.gu.com if the technical documents you have at hand are up to date. Do not use parts from other technical documents.

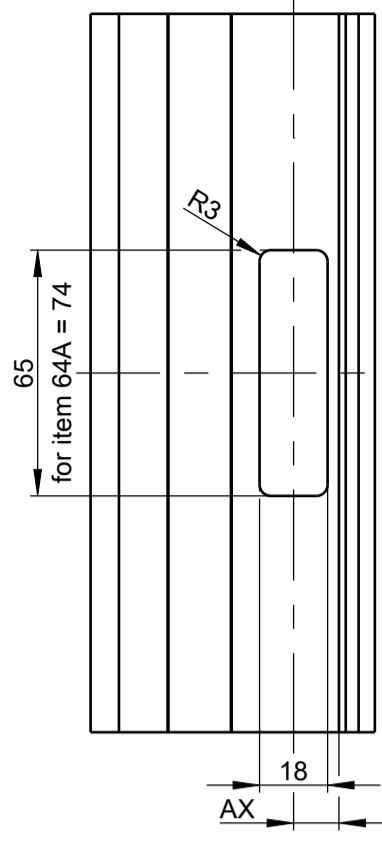


Depicted in drawing:  
 U-faceplate = 24 x 6, AXNL = 12  
 Accessories: 24 x 3, 24 x 6  
 Installation and operating instructions: 0-47647

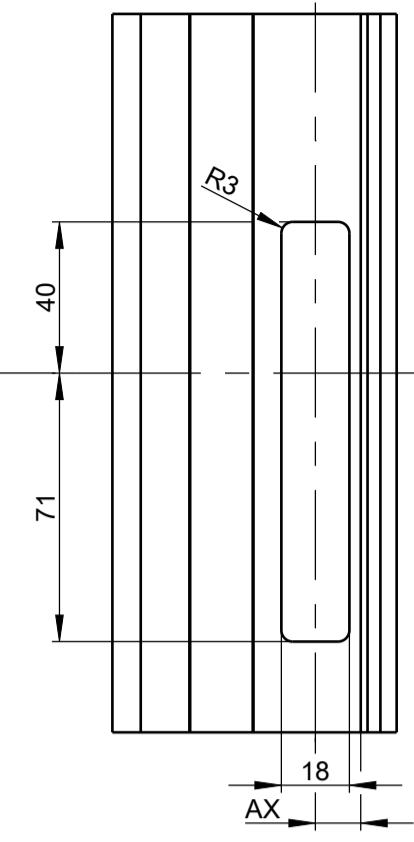
**SECURITY system technology**  
**L = 1750**

Description:		Multi-point lock SECURITY ePOWER according to EN 179 and EN 1125 Neutral aluminium and narrow stile systems		Scale:		Drawing No.:		Size:		Sheet:	
Date:	Change No.:	Sig.:	Ver.:	Replacement for:	Revision:	Iteration:	Level:	%	0-47438-3A-0-EN	A1	2/6
13.11.2023	G40710	Ei	Üb	--	7	26	Released				

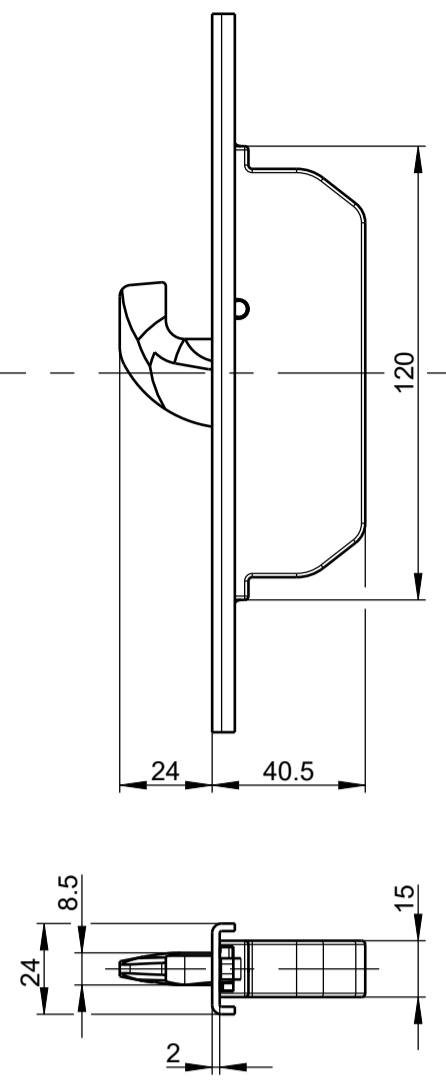
**Frame milling for striker and one-piece striker**



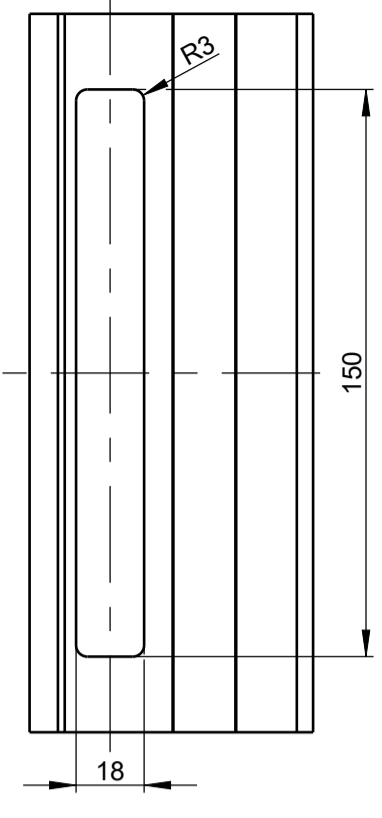
**Frame milling for striker with monitoring contact**



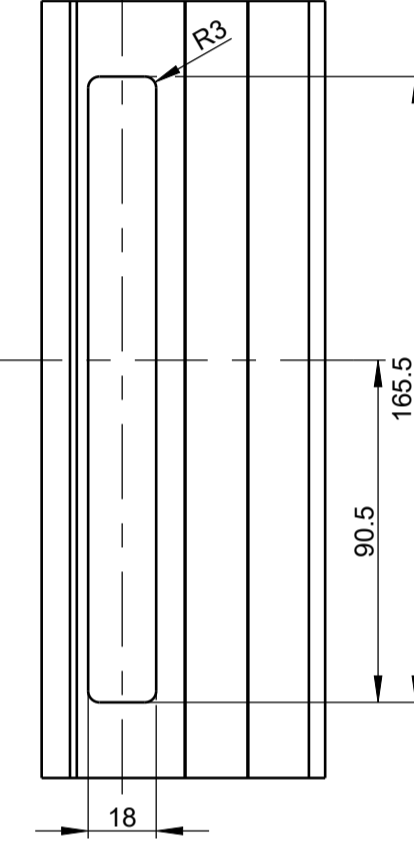
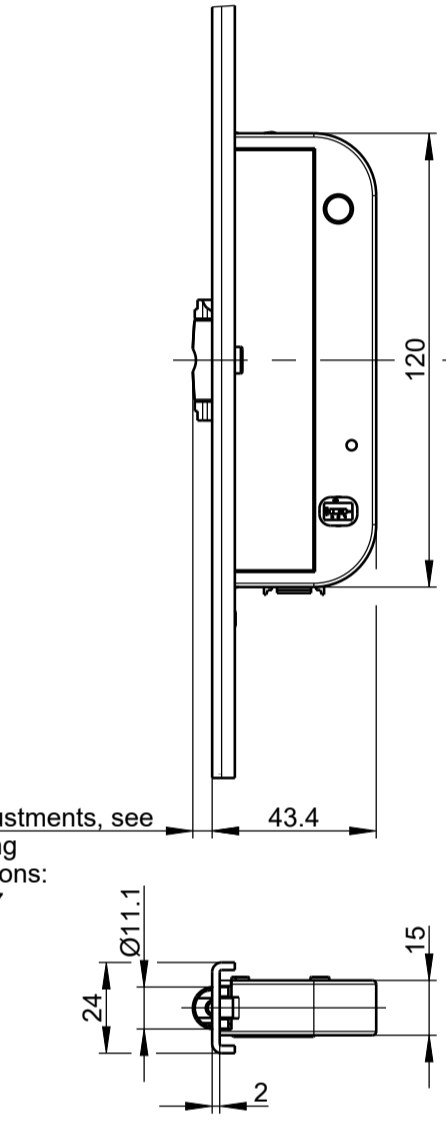
**Hook bolt**



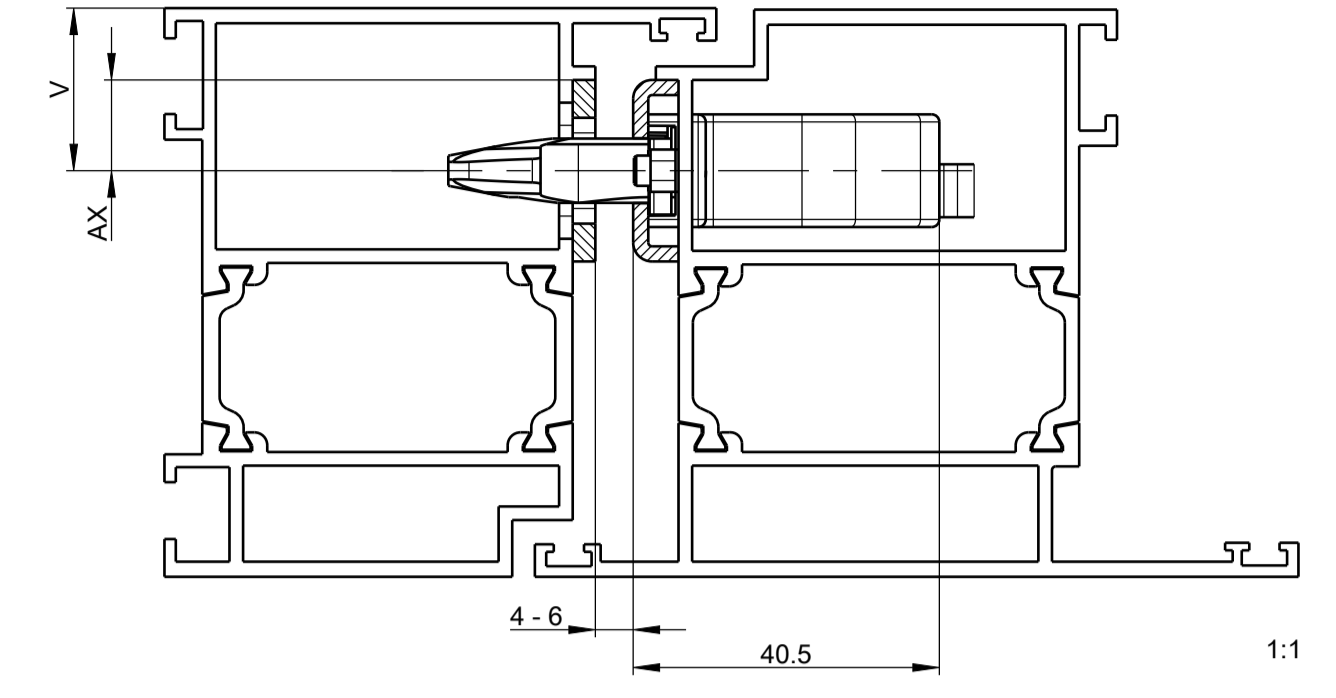
**Leaf milling for hook bolt**



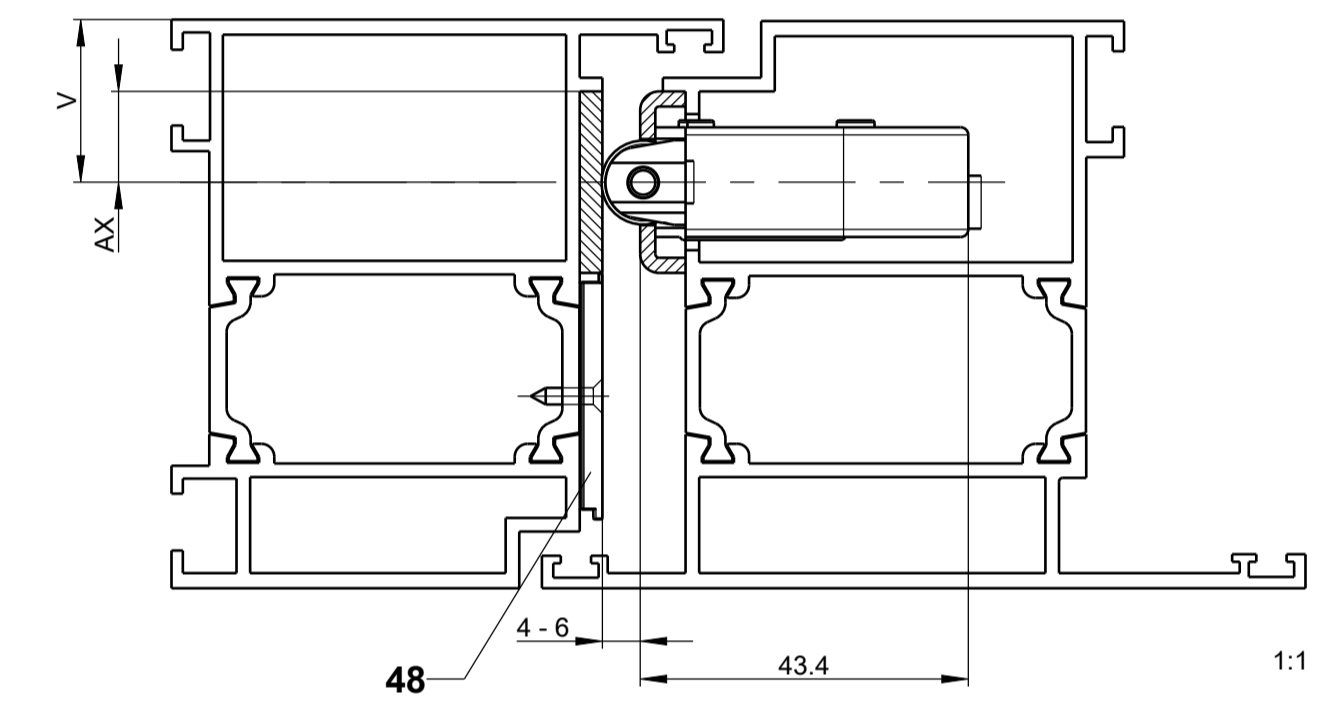
**Control unit**



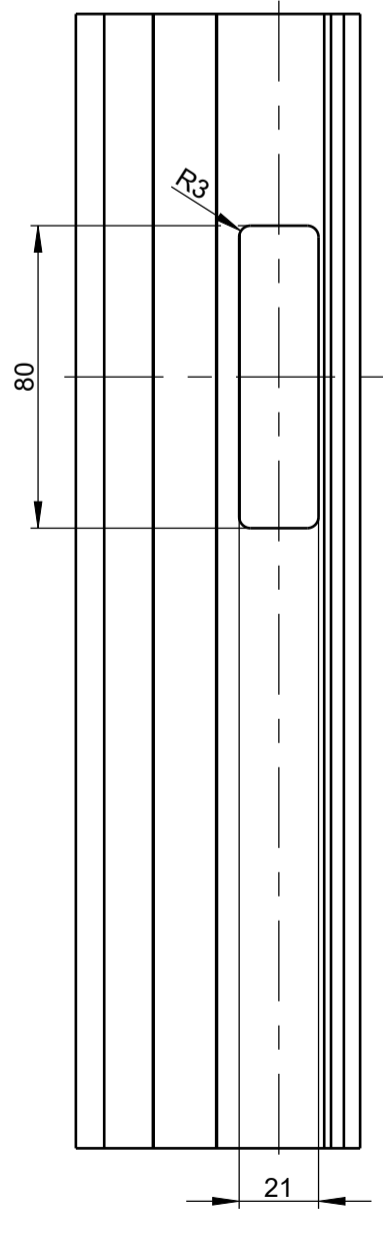
**Hook bolt (Flush profile system) Striker**



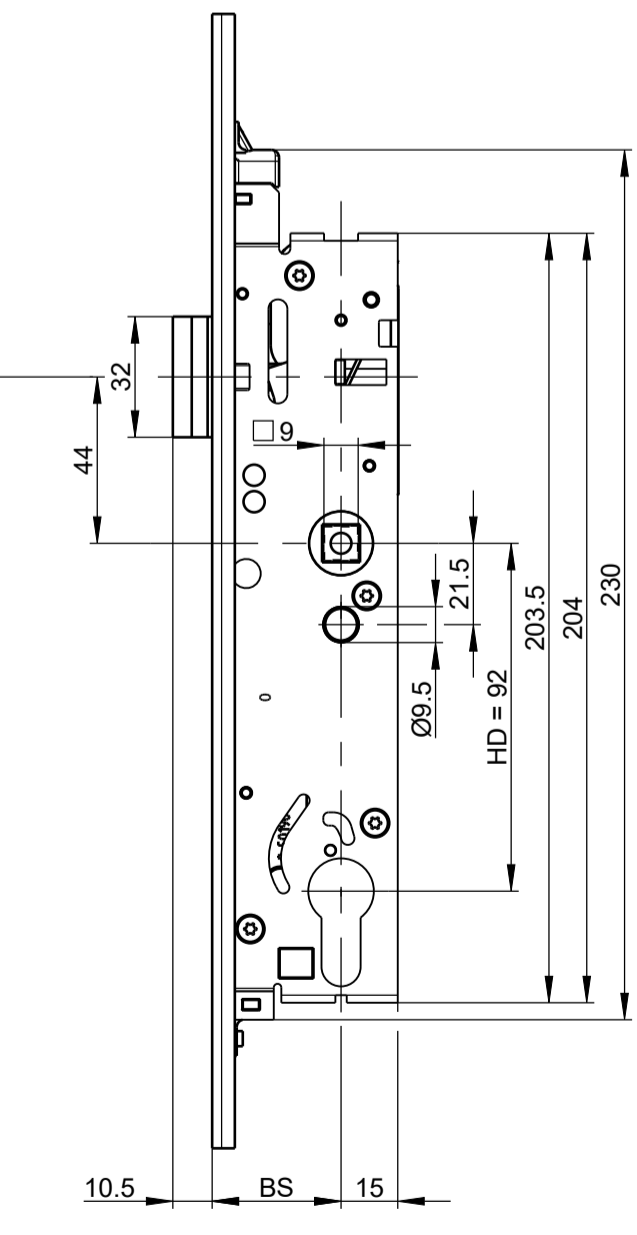
**Control unit (Flush profile system) Contact plate**



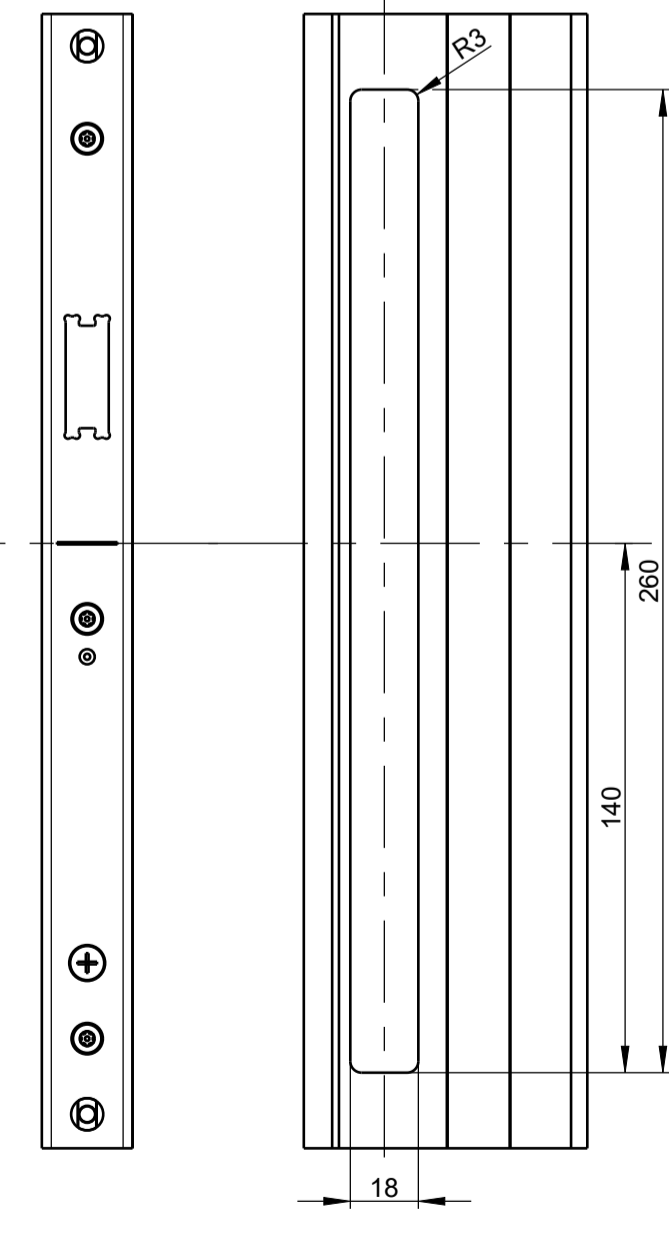
**Frame milling for L&D striker**



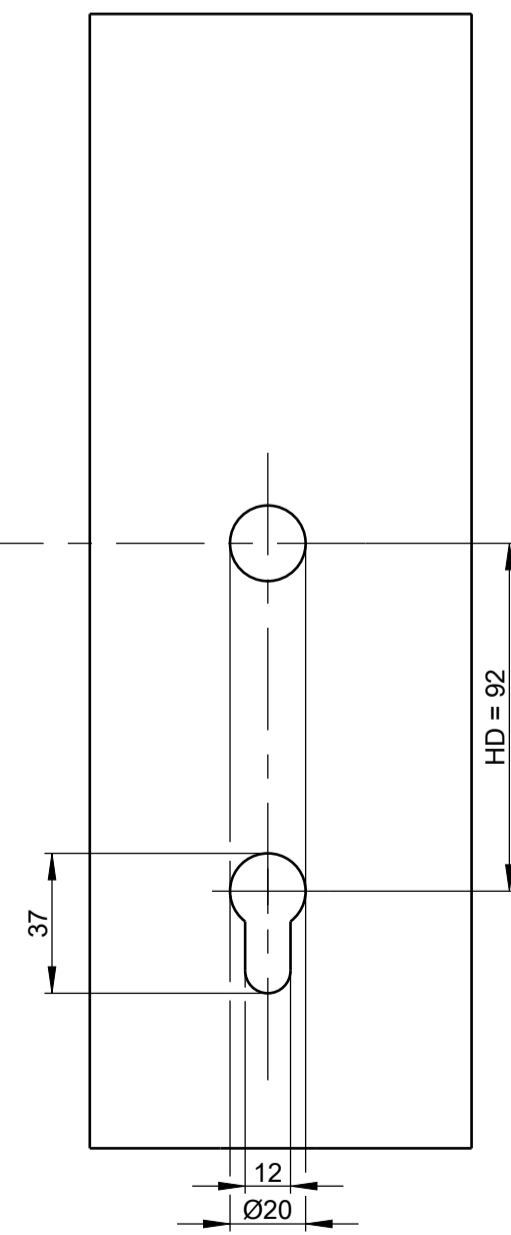
**Lock case with PC hole**



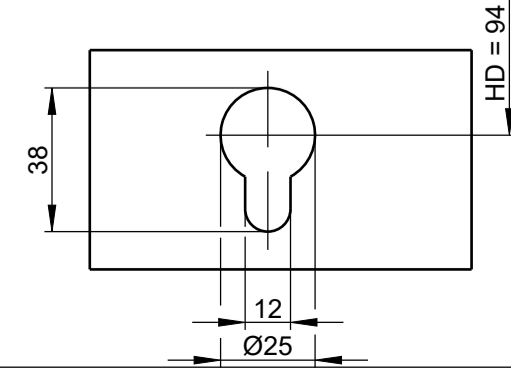
**Leaf milling for lock case**



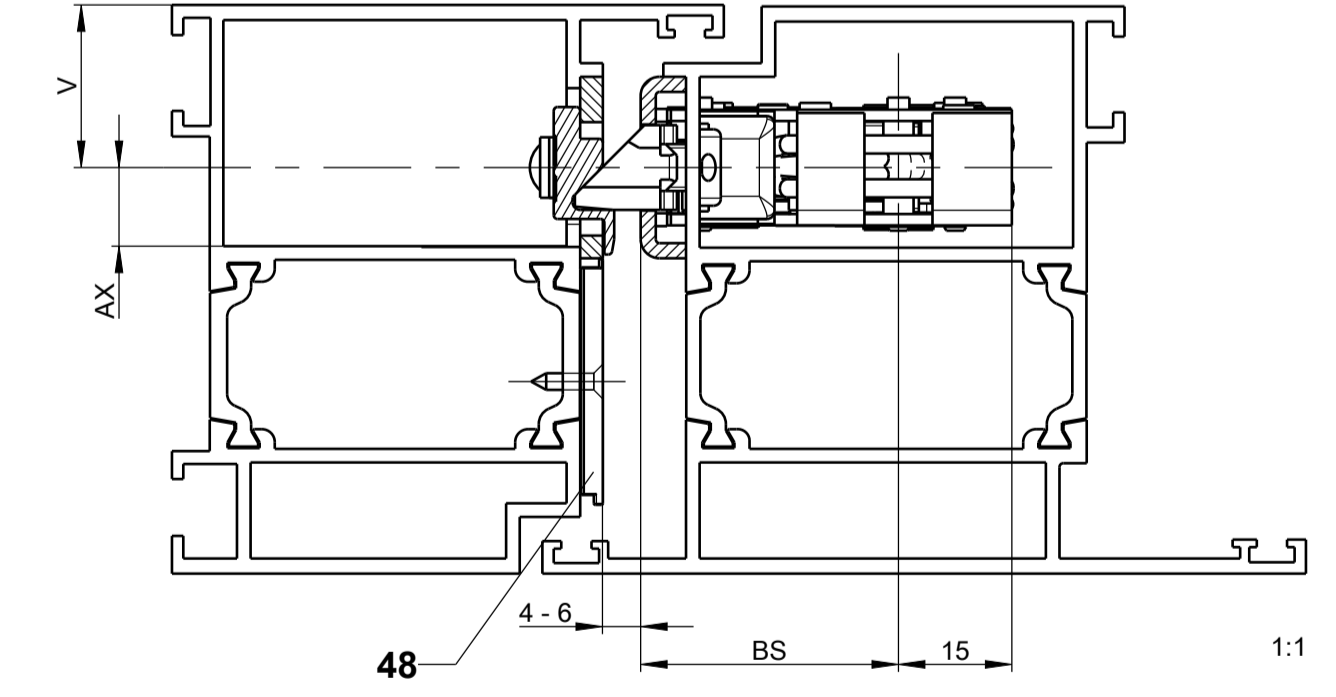
**Leaf milling for PC hole**



**Leaf milling for RC hole**



**Lock case (Flush profile system)**



BS = Backset  
 HD = Hole distance  
 V = lock position (depending on profile)  
 AX = axis

Depicted in drawing:  
 U-faceplate = 24 x 6, AX = 12  
 Accessories: 24 x 3

Installation and operating instructions: 0-47647

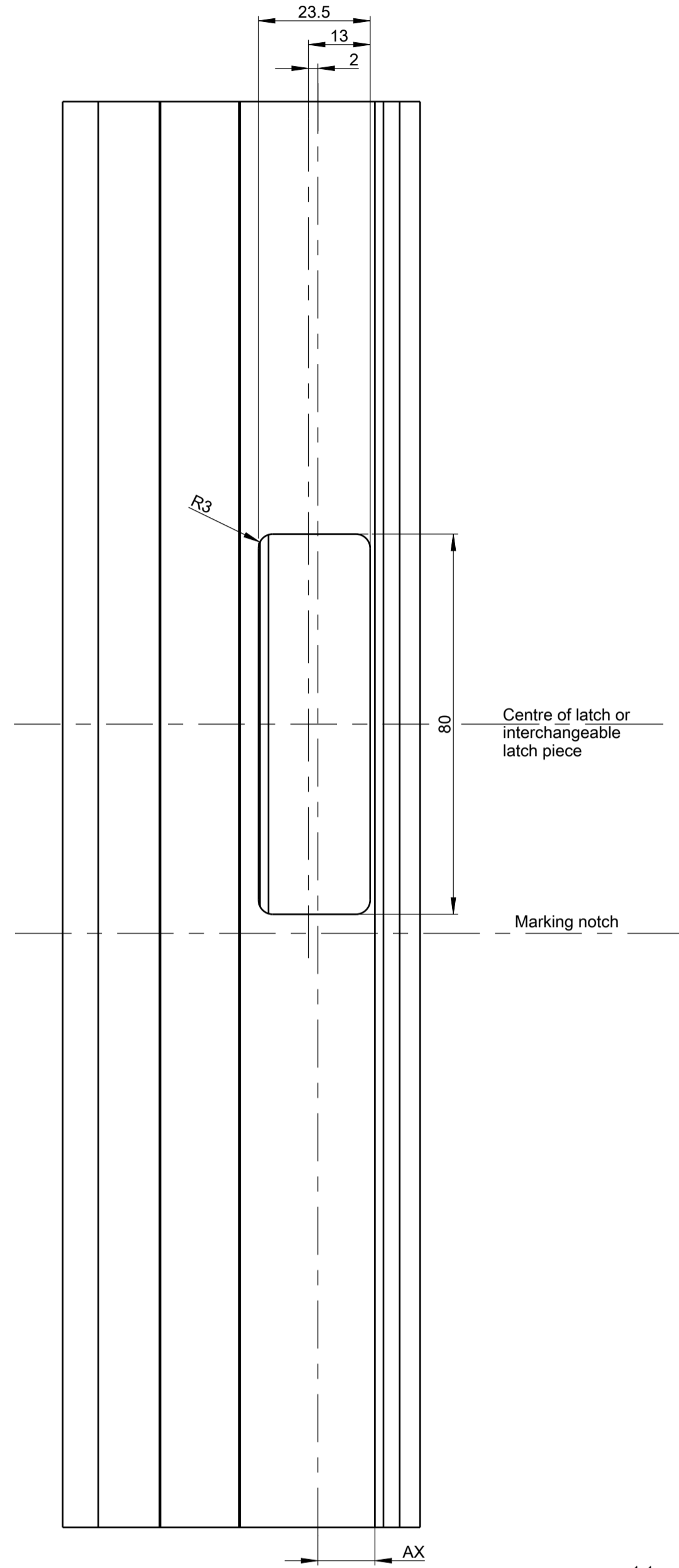
**Sectional views of multi-point locks**



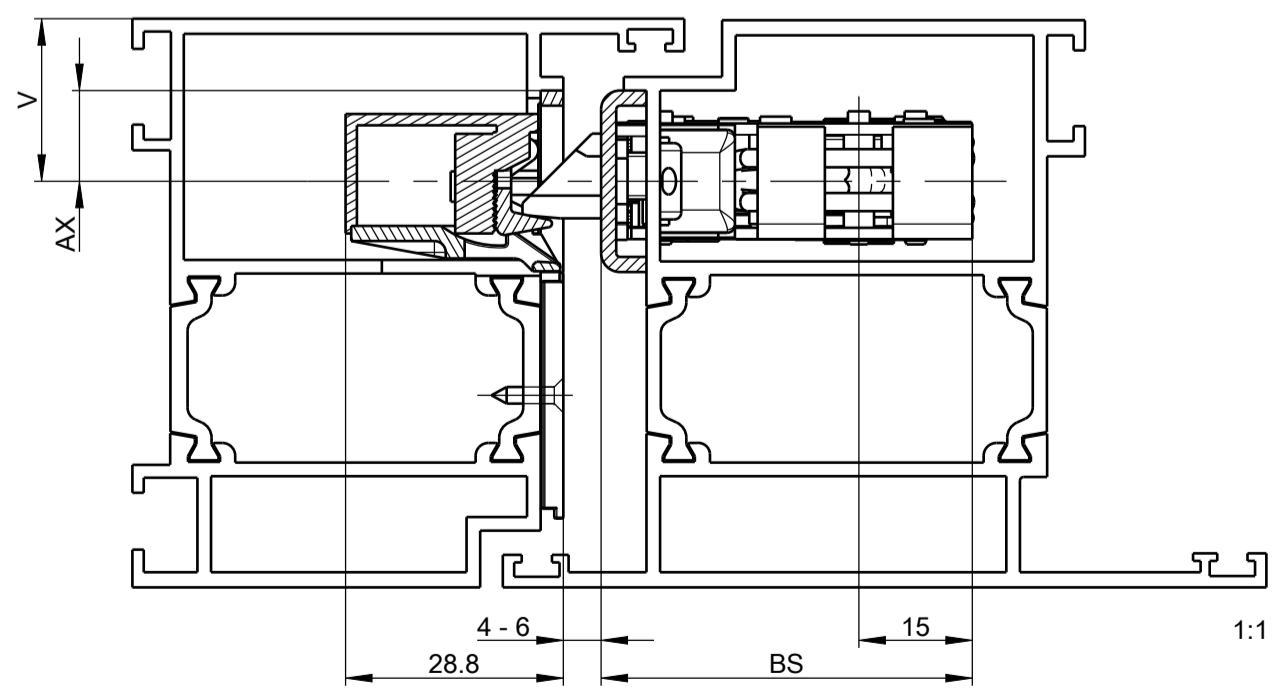
The documents accompanying the product were issued when the product was manufactured.  
 You should verify at www.gu.com if the technical documents you have at hand are up to date.  
 For more information, please contact our technical documents.

EN FR ES RU  
 V0

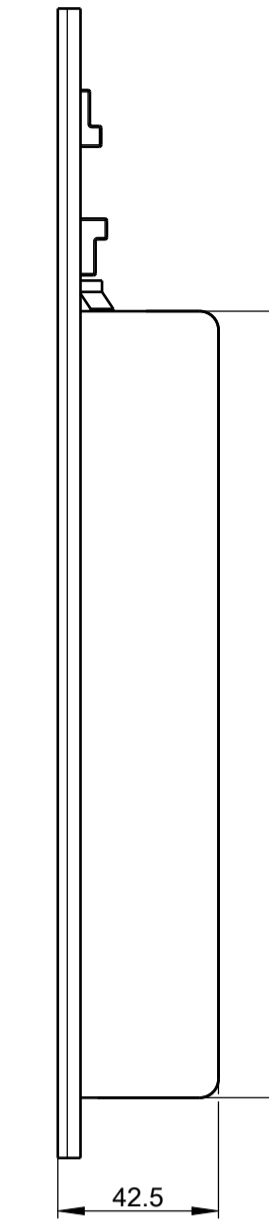
**Frame milling for GU-BKS electric strike ET 8**



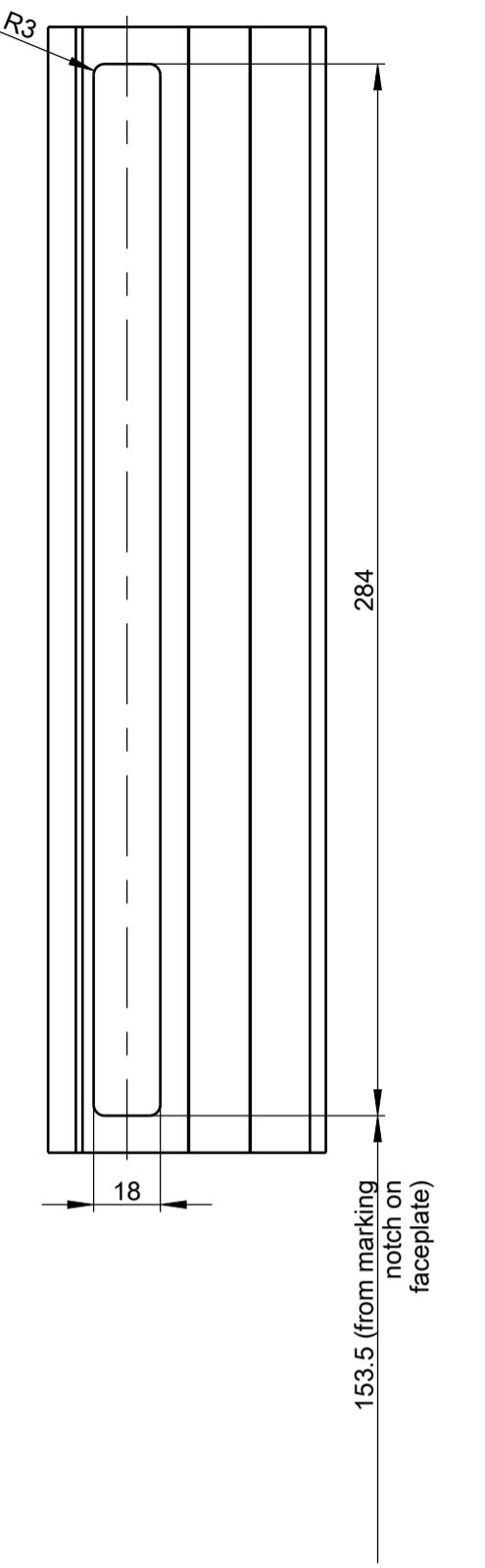
**Lock case**



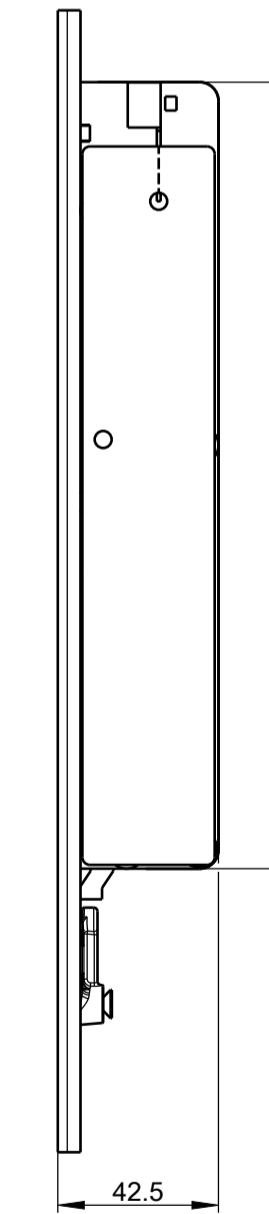
**Release motor**



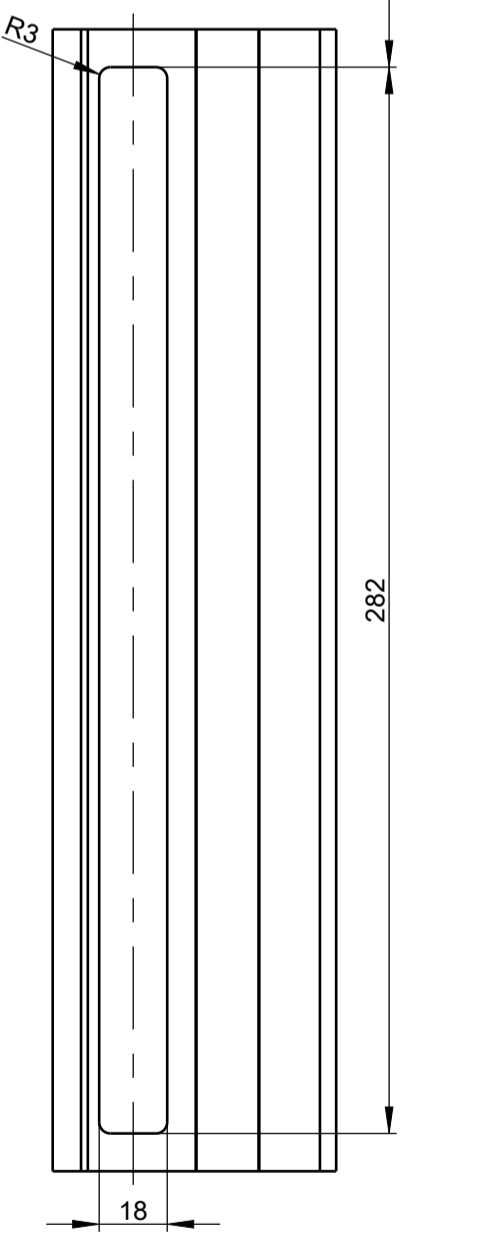
**Leaf milling for release motor**



**Locking motor**



**Leaf milling for locking motor**



BS = Backset  
 HD = Hole distance  
 V = lock position (depending on profile)  
 AX = axis

Depicted in drawing:  
 U-faceplate = 24 x 6, AX = 12  
 Accessories: 24 x 3

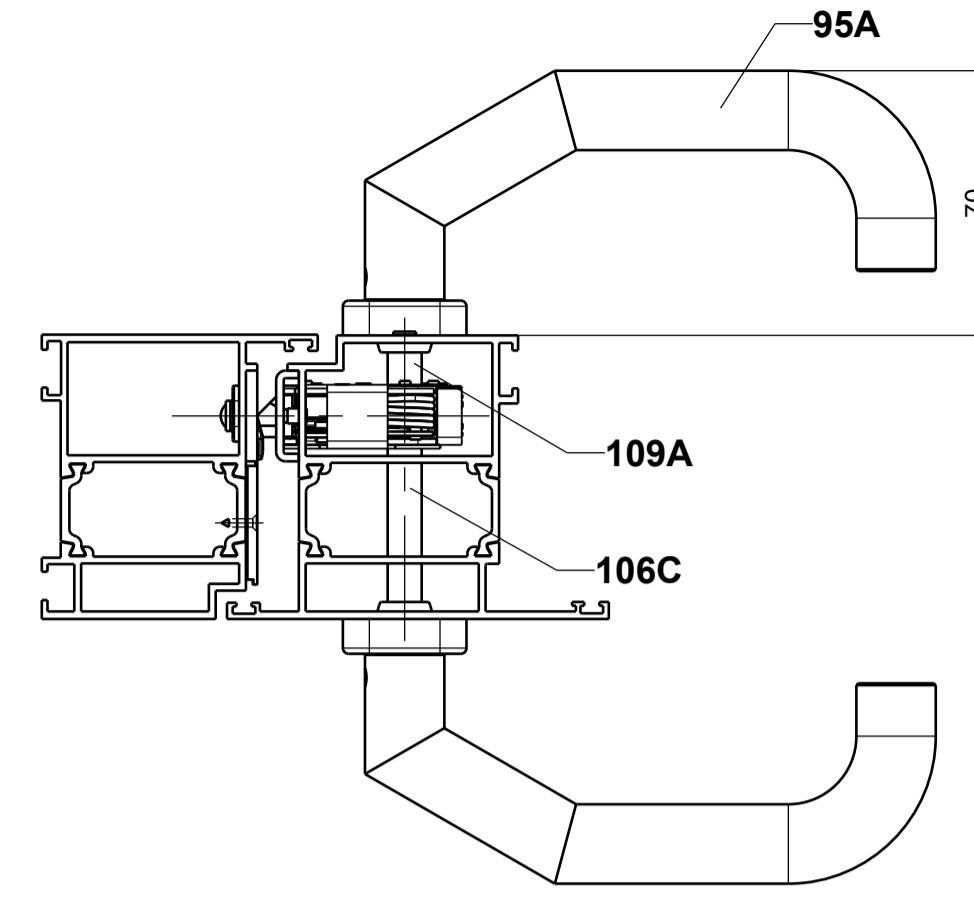
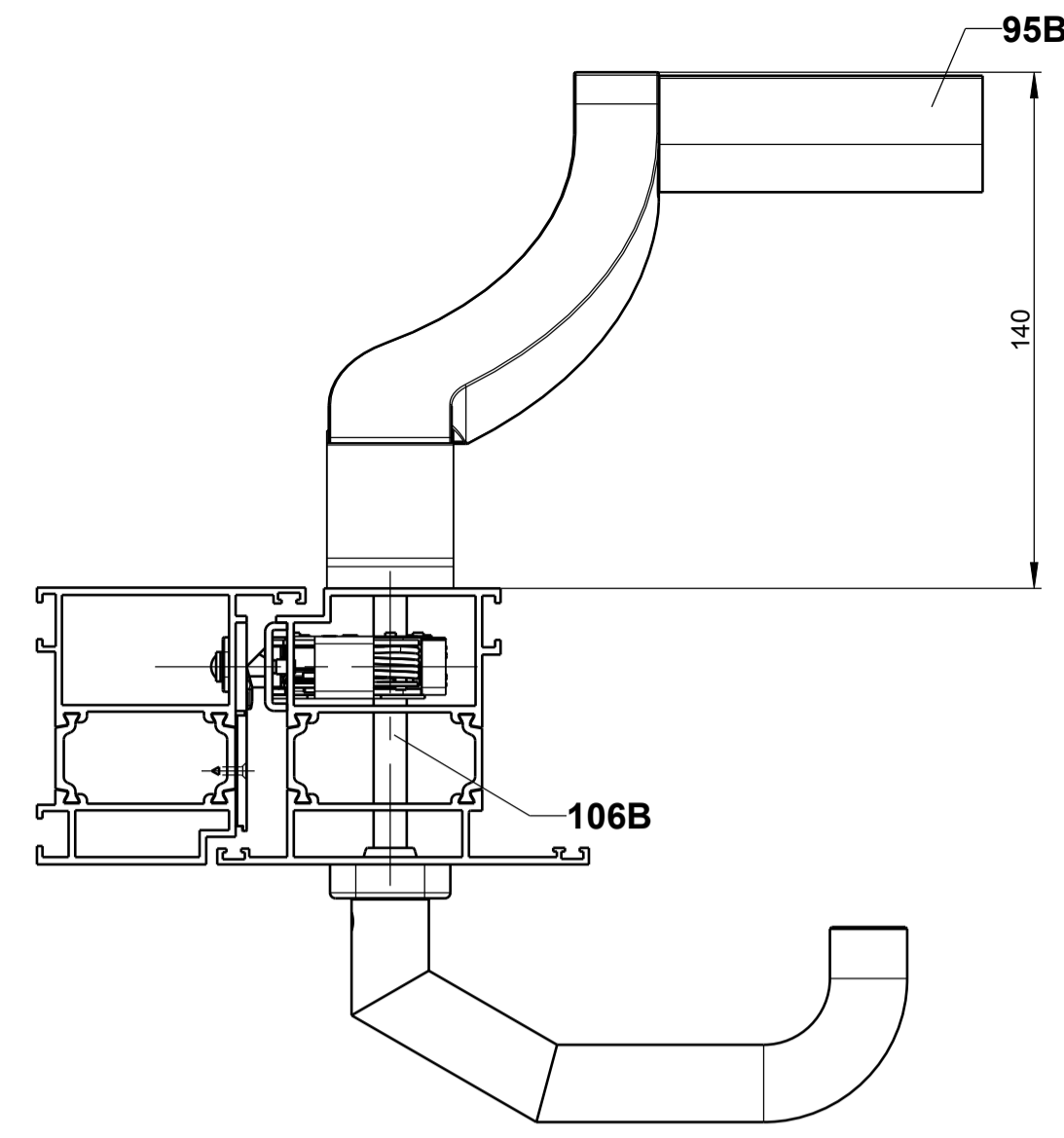
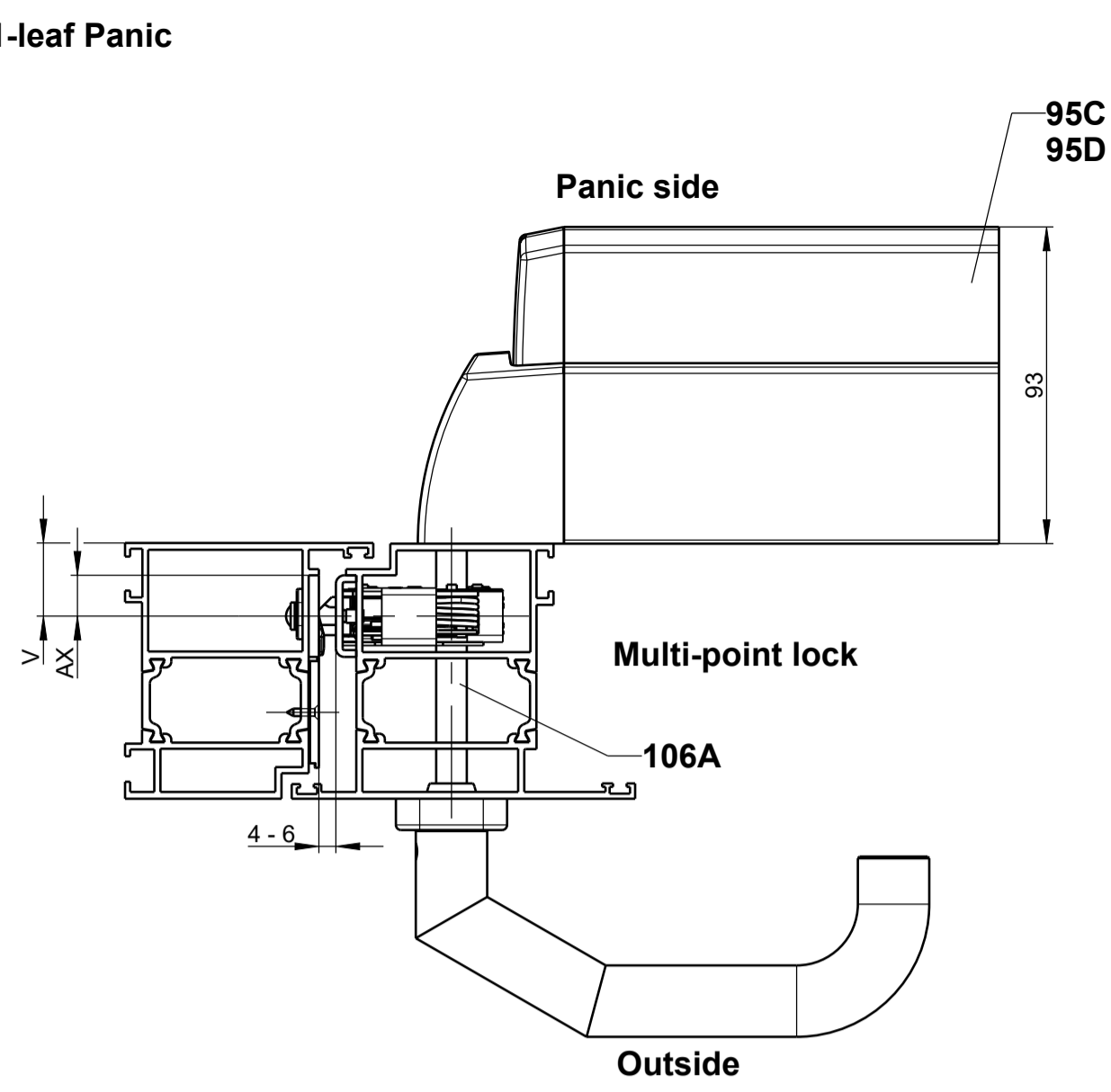
Installation and operating instructions: 0-47647

**Release motor  
 Locking motor  
 Electric strike**

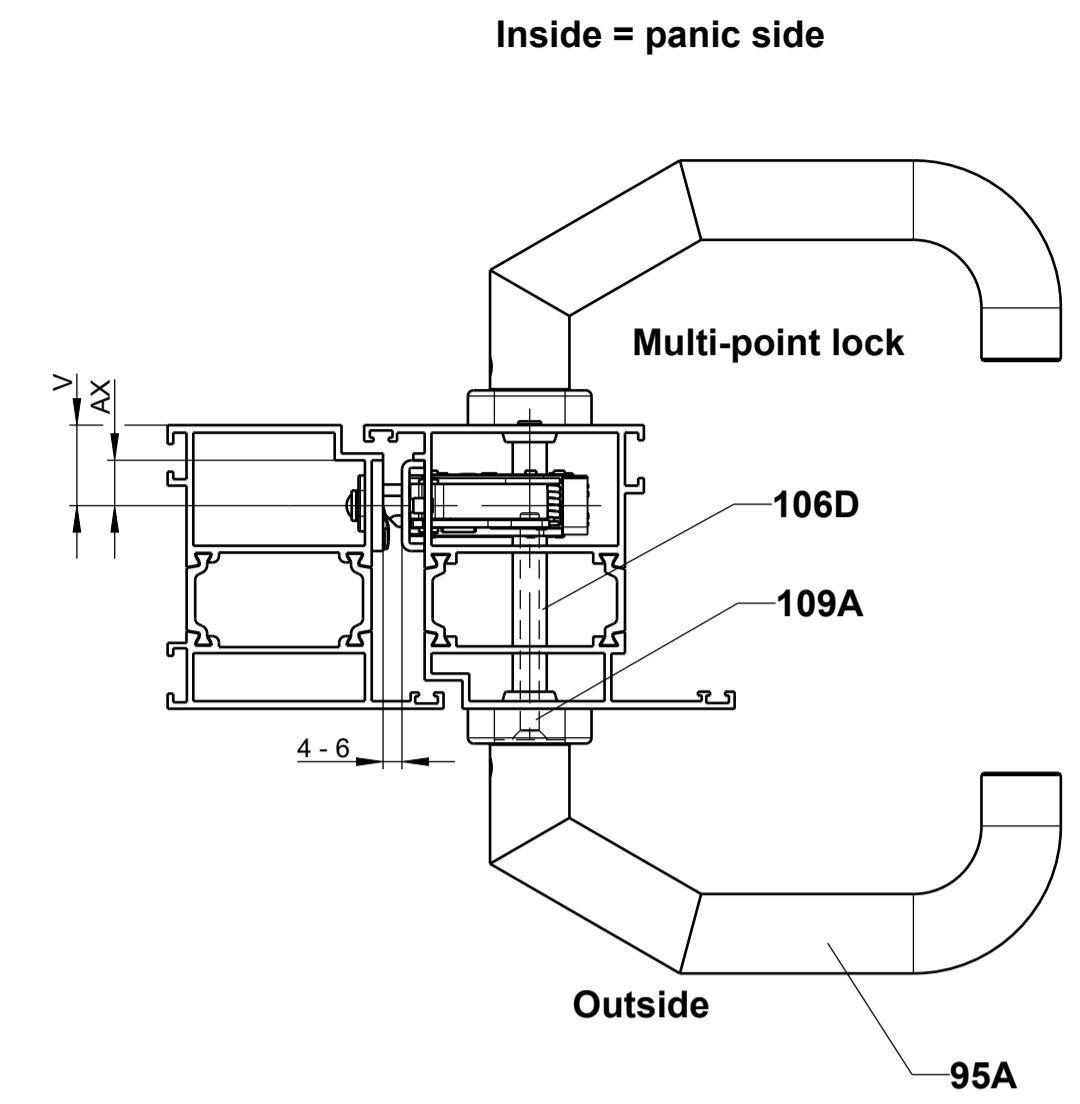
Description: Multi-point lock SECURITY ePOWER according to EN 179 and EN 1125 Neutral aluminium and narrow stile systems										Scale	Drawing No.	Size	Sheet
GU	Date	Change No.	Sig	Ver.	Replacement for	Revision	Iteration	Level	Released	1:2	0-47438-3A-0-EN	A1	4/6
	13.11.2023	G40710	EI	Üb	--	7	26						

The documents accompanying this product were issued when the product was manufactured. You should verify at www.gu.com if the technical documents you have at hand are up to date. Go back to page 10 for the latest edition of our technical documents.  
 GU  
 EN FR ES RU  
 Proprietary rights apply in accordance with ISO 10116.

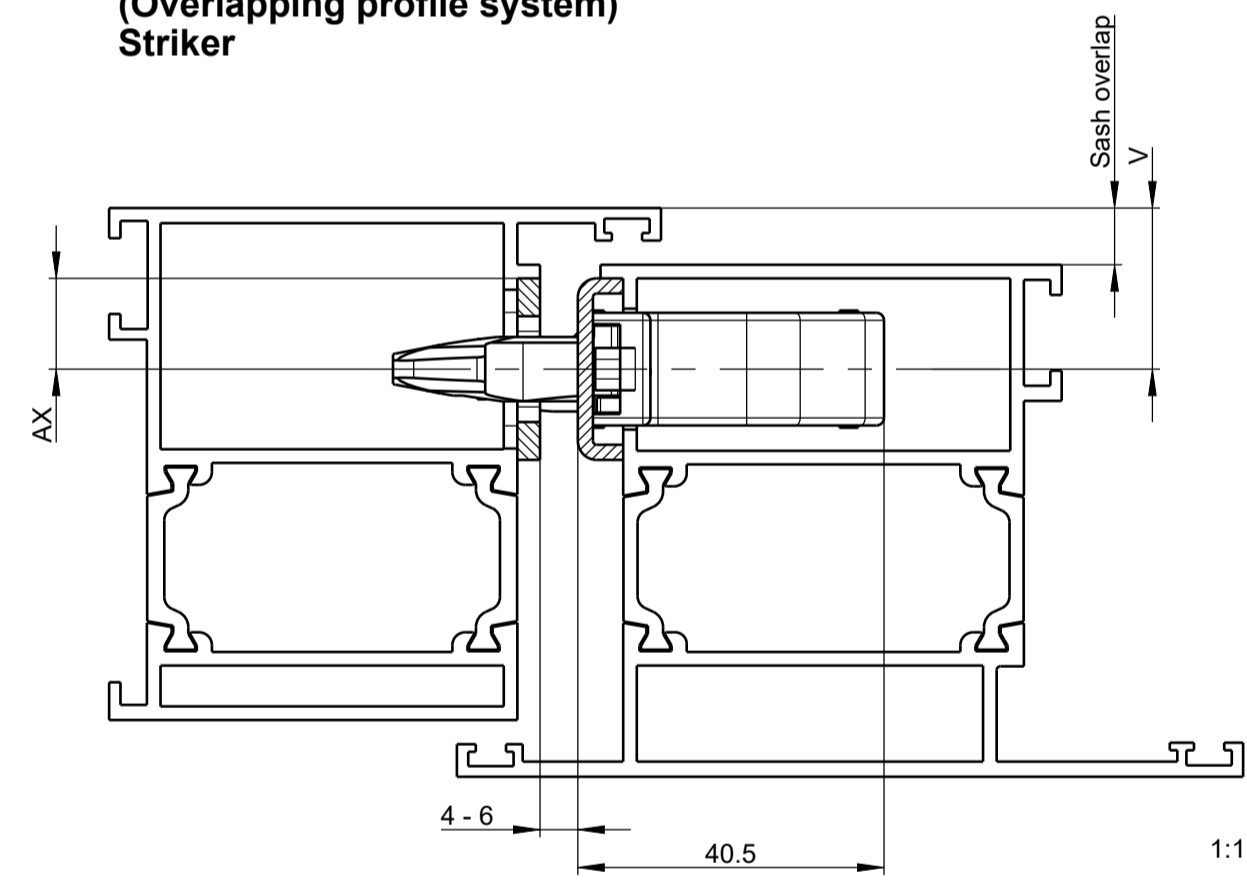
1-leaf Panic



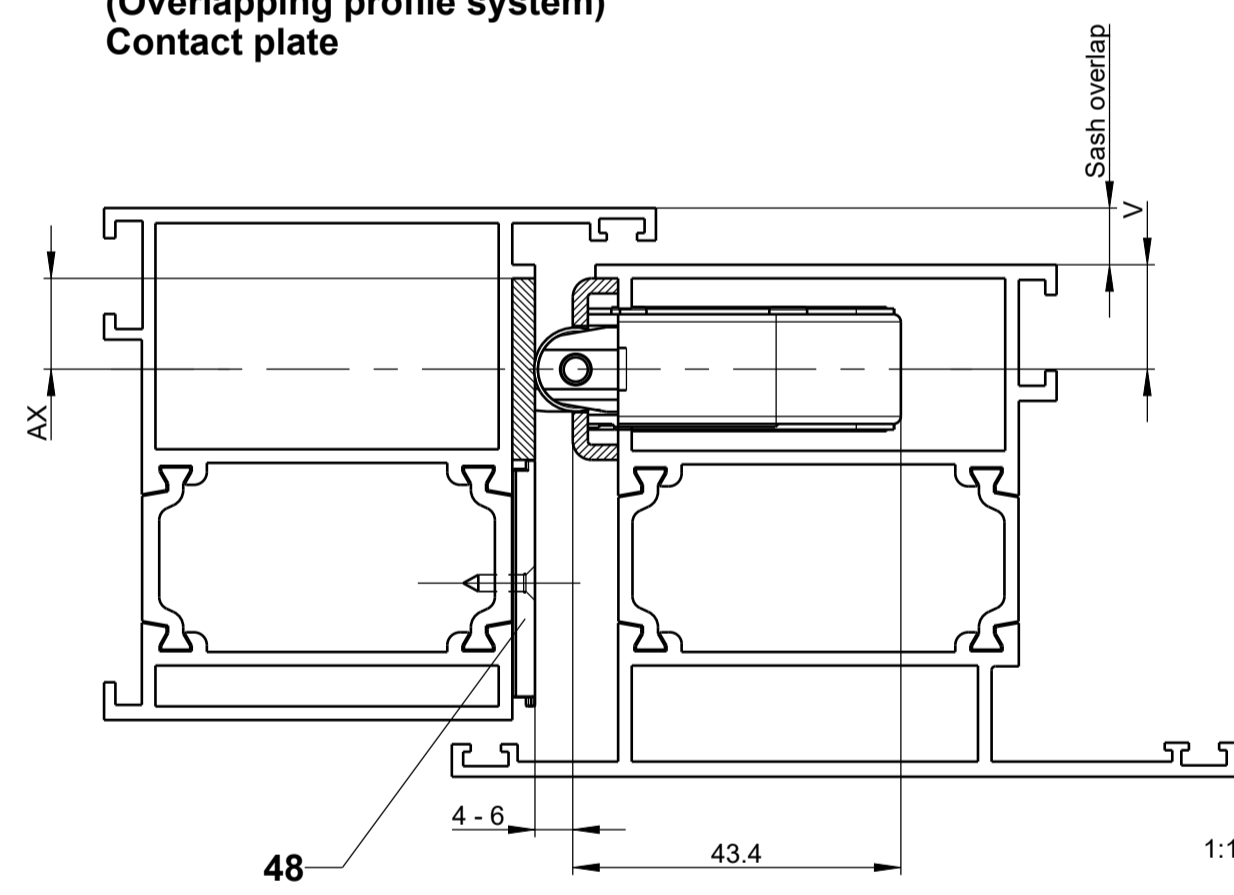
1-leaf Panic Inward



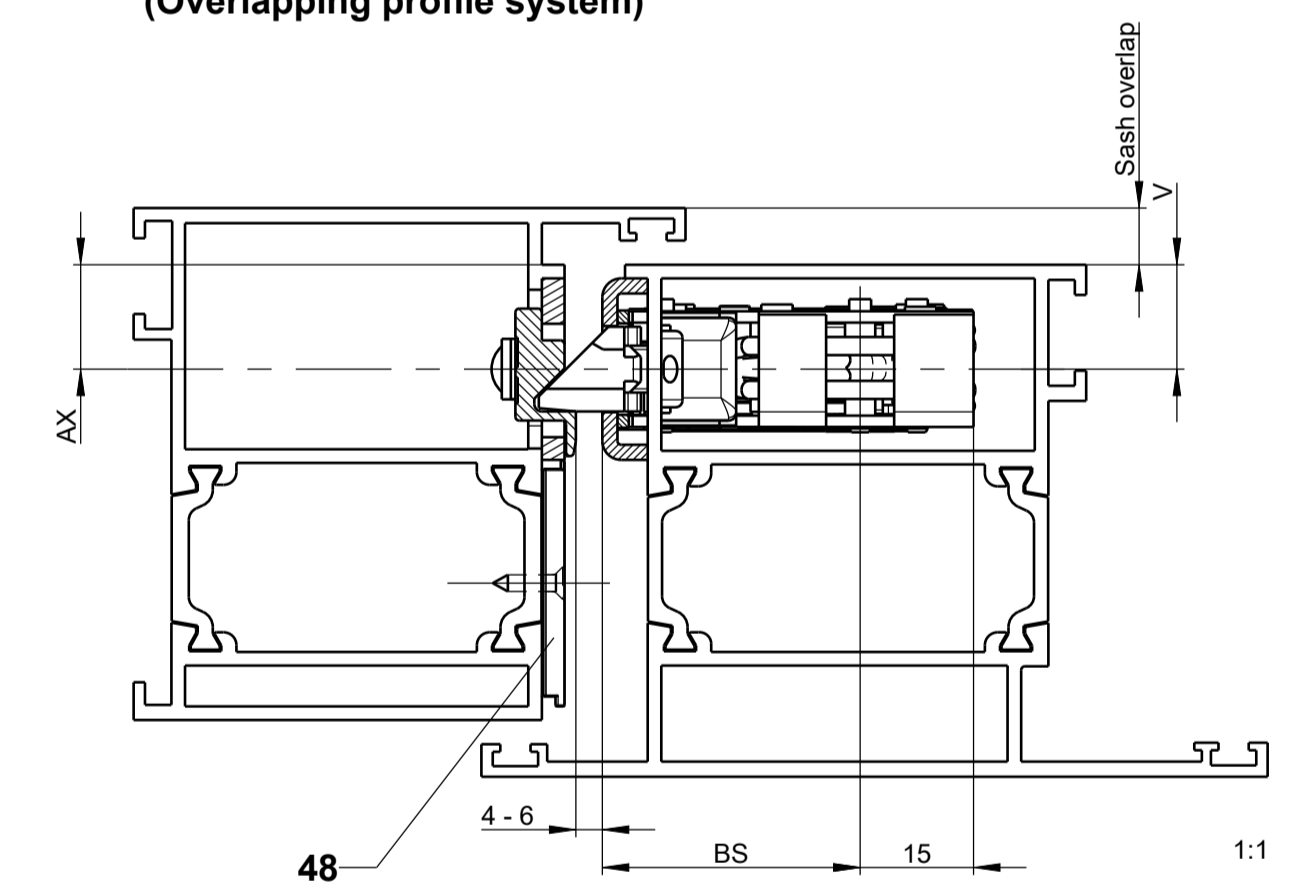
Hook bolt  
(Overlapping profile system)  
Striker



Control unit  
(Overlapping profile system)  
Contact plate



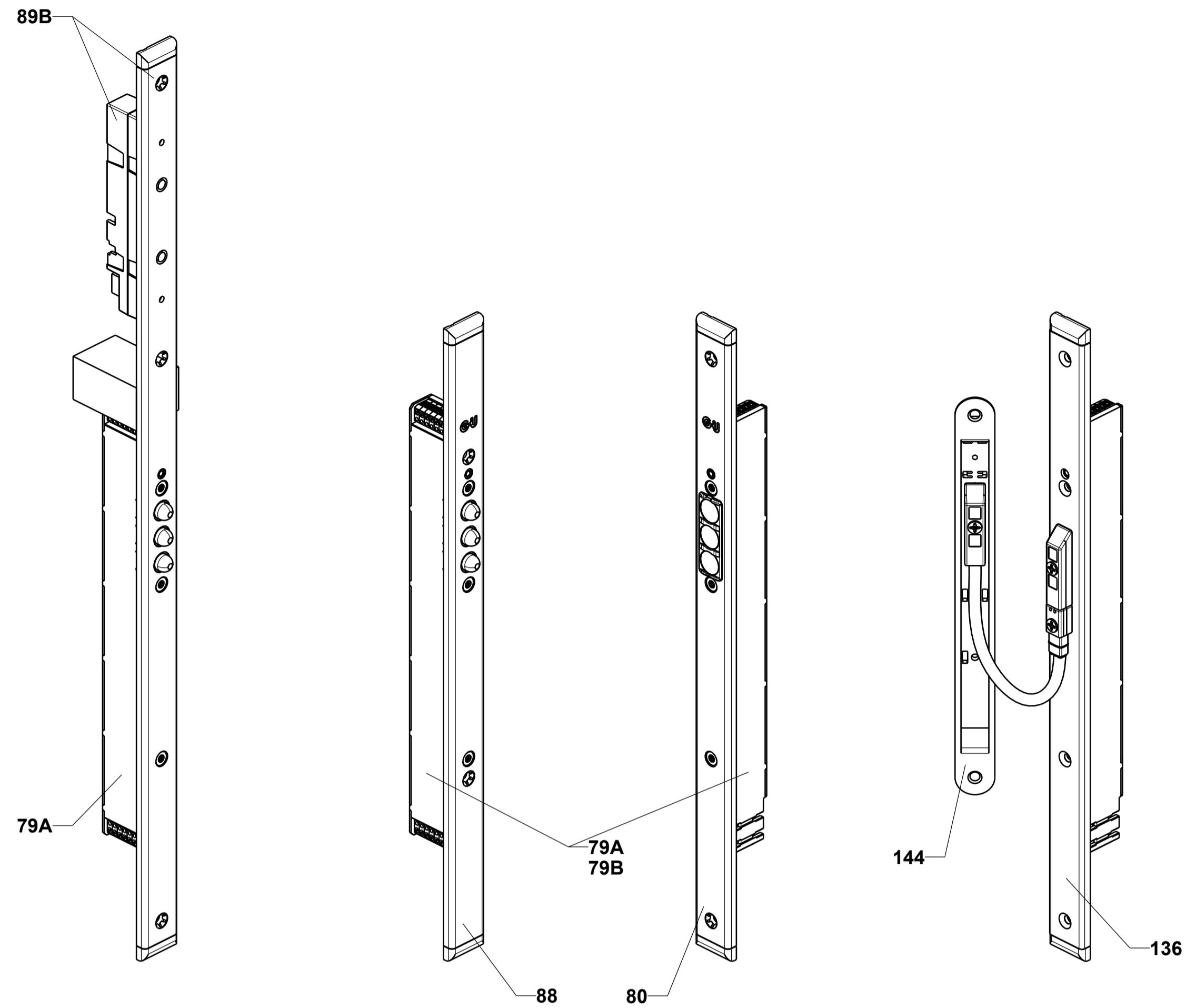
Lock case  
(Overlapping profile system)



Door hardware for escape doors  
Motor-driven  
multi-point lock

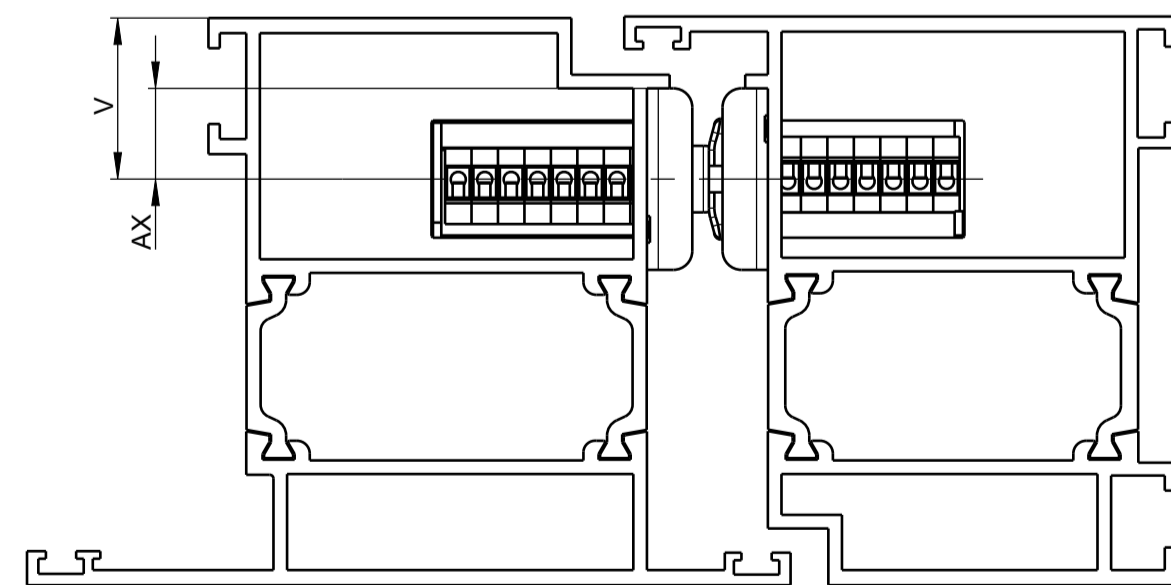
Description: Multi-point lock SECURITY ePOWER according to EN 179 and EN 1125 Neutral aluminium and narrow stile systems												
GU	Date	Change No.	Sig	Ver.	Replacement for	Revision	Iteration	Level	Scale	Drawing No.	Size	Sheet
	13.11.2023	G40710	Ei	Üb	--	7	26	Released	1:2	0-47438-3A-0-EN	A1	5/6

SECUREconnect



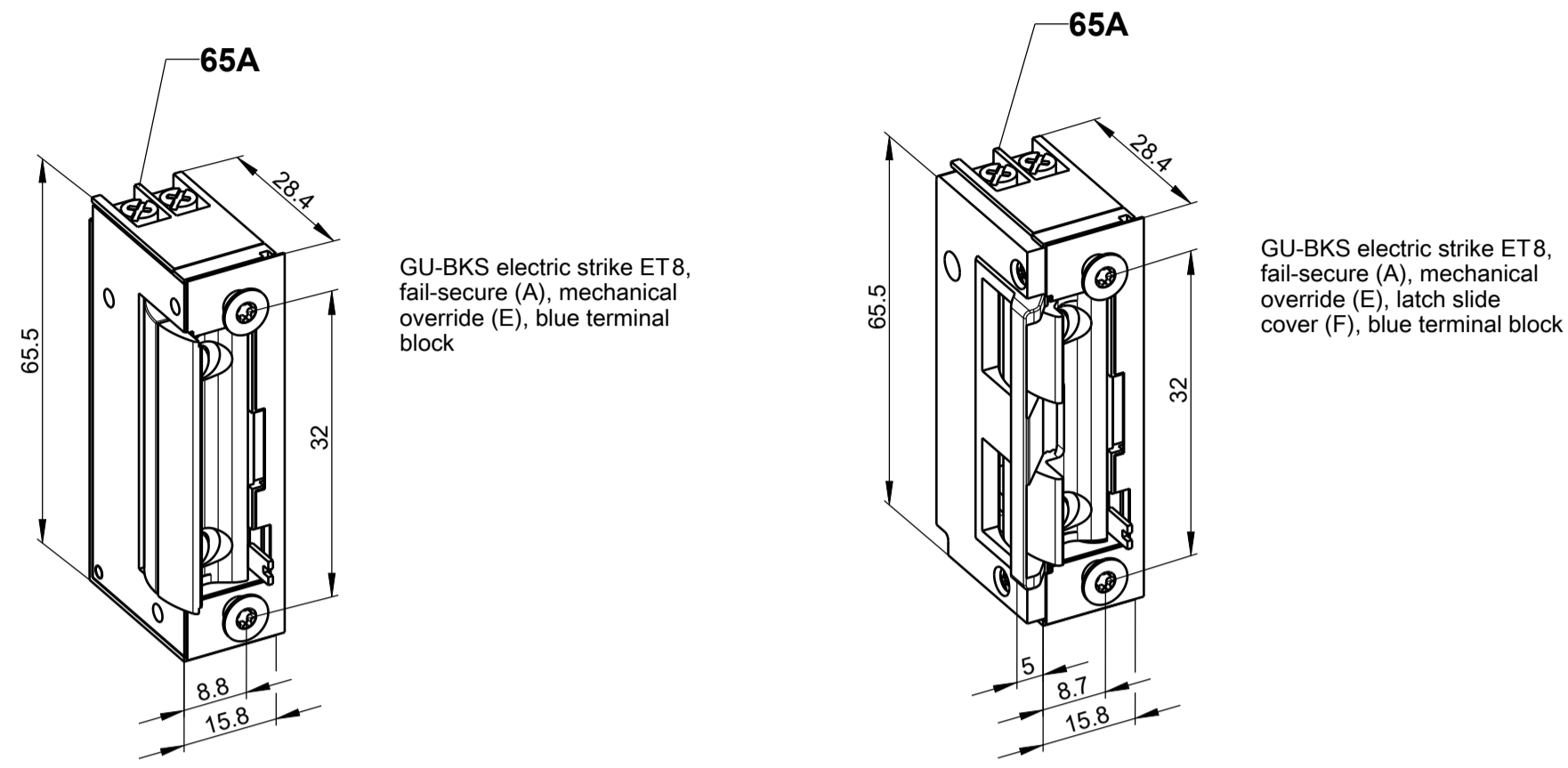
SECUREconnect U-faceplate with moulding  
 Operating instructions: B-55600-34-4-6 / C59501167  
 Installation instructions: 0-45733-L0  
 with integrated power supply unit

Operating instructions:  
 B 5527 0200 / C59501259



1:1

Electric strike



GU-BKS electric strike ET8,  
 fail-secure (A), mechanical  
 override (E), blue terminal  
 block

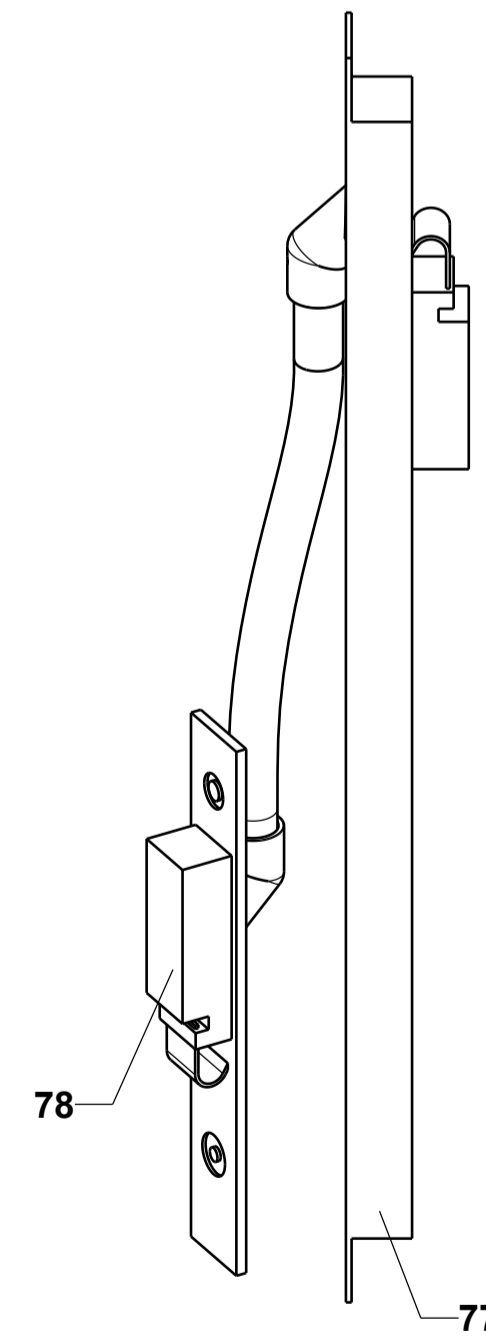
GU-BKS electric strike ET8,  
 fail-secure (A), mechanical  
 override (E), latch slide  
 cover (F), blue terminal block

Electric strikes with 100 % duty ratio must be used.

1:1

See order catalogue

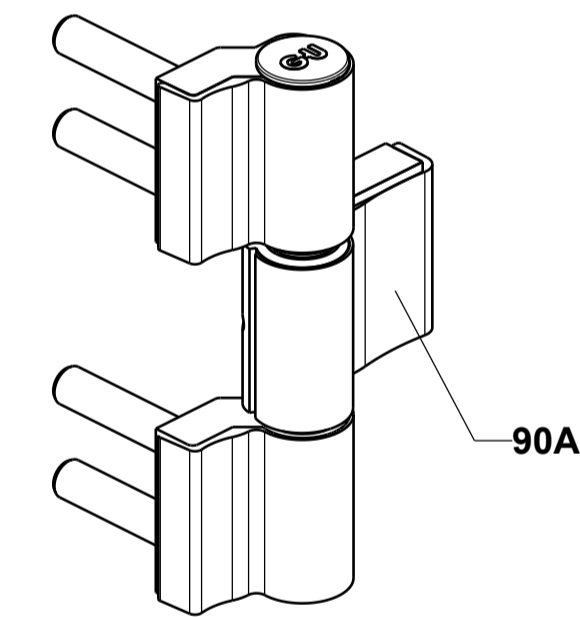
Cable link



Detachable due to pluggable connector  
 (provided detachable type of  
 cable link is used)  
 Installation instructions: 0-45510

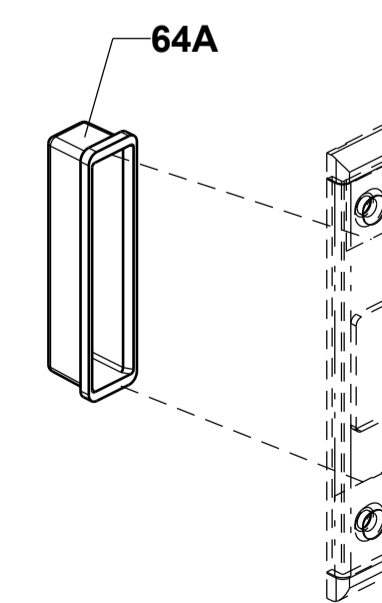
See order catalogue

Entrance door hinge



See order catalogue

Possible from axis 11



Milling dimensions  
 must be observed.

Accessories