

helius4000 product range – one key for all eventualities

- 1 **Double cylinder:** available as standard cylinder with special cylinder cams or with additional features
- 2 **Half cylinder:** can be used universally in many additional locks
- 3 **Padlock:** also available with extra-thin or high shackle
- 4 **Cylinder cam lock:** suitable for various letter boxes with different locking levers
- 5 **Knob cylinder:** the cylinder thumbturn can be selected, exchanged or replaced
- 6 **Key with SE transponder:** maximum operating convenience due to combination of mechanical and electronic systems

Do you have any questions?
Your specialist dealer will be pleased to give you advice.



Security has a name, or to be more precise, a brand – BKS

BKS GmbH, a member of the Gretsch-Unitas group, stands for more than 100 years of experience in the development and manufacturing high quality locking systems. Ever since the round cylinder was developed in 1938, BKS GmbH has been, and still remains today, a market leader in the field of locking technology and security.

BKS cylinder systems offer individual tailor-made solutions. They are manufactured according to exacting quality standards. Opting for a BKS master key system, you choose outstanding quality of function and design. Countless patents and certificates testify to the innovative prowess of all BKS products. They give you flexible design options, also when retrofitting in existing buildings.



”

The helius4000 reversible key system is ideal for those looking for a cost-effective and smart security solution without having to compromise on quality.”



Gretsch-Unitas GmbH
Baubeschläge
Johann-Maus-Str. 3
71254 Ditzingen
Germany
Tel. +49 71 56 30 1-0
Fax +49 71 56 30 1-77980

BKS GmbH
Heidestr. 71
42549 Velbert
Germany
Tel. +49 20 51 20 1-0
Fax +49 20 51 20 1-9733

www.g-u.com

Your security specialist dealer

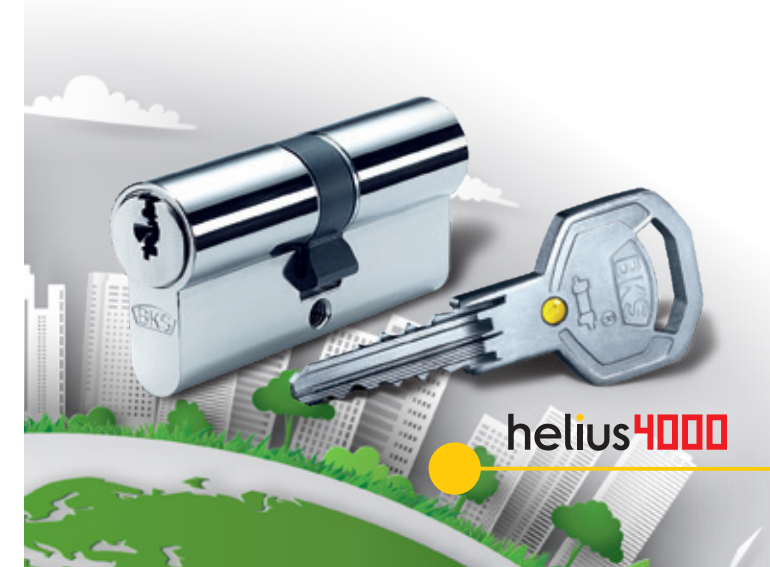
Copyright notice

© All illustrations and texts in this brochure are protected by copyright. Unless otherwise stated on the image, the rights belong to the Gretsch-Unitas group. Any use of copyright protected materials without the consent of the holder of the rights is prohibited.

Publisher

Gretsch-Unitas GmbH Baubeschläge | Johann-Maus-Str. 3 | 71254 Ditzingen, Germany
Tel. +49 71 56 3 01-0 | Fax +49 71 56 3 01-2 93

WP01010-04-2-2 05/2023 Printed in Germany



MORE SECURITY

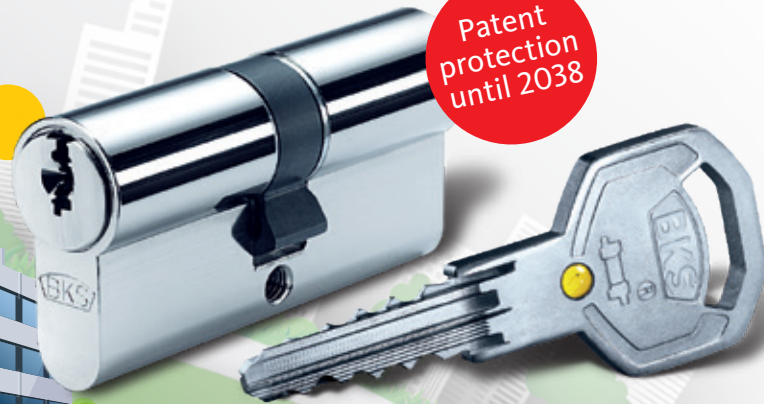
Small and flexible for optimum protection

Reversible key system

| A company of the Gretsch-Unitas group

helius4000

Patent protection until 2038



Small and flexible for optimum protection

Our helius4000 reversible key system offers a convenient and cost-effective solution for basic security in your home. Due to its easy handling and operation, it is also very practical. Thanks to proven reversible key technology and protection against bumping as standard, you can rely on helius4000 for your home.

With just one key, you can securely lock not only your front door, but also your secondary entrance and garage doors. helius4000 is also ideal for multi-family homes, as individual keys can be assigned to different apartments in a small master key system.

FEATURES

- Greater convenience: the generous grip area of the reversible key allows easy opening and closing – even with tall or heavy doors.
- The yellow-coloured ball in the key head delivers design with recognition value and stands for tried-and-tested brand quality by BKS.
- Ideal for security hardware with cylinder cover thanks to extended key shoulder.
- Reversible key technology: the key is very convenient to use, even in poor lighting conditions.
- Protection against bumping as standard.
- Emergency function that prevents blocking by inserted keys.

helius4000 locking cylinders: the right choice – not just in terms of security

The helius4000 locking cylinders are based on the tried-and-tested single-row pin arrangement and, thanks to the reversible key mechanism, are easy to handle.



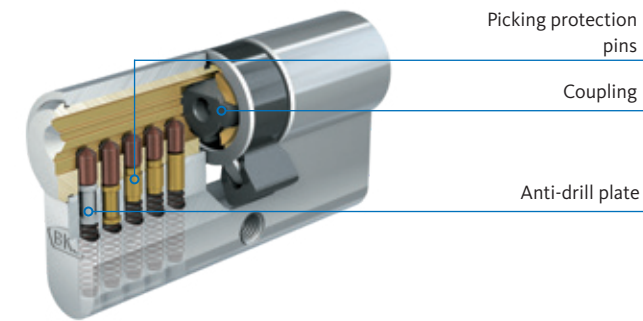
Easy operation: the cylinder plug features a reversible key profile and a key channel for better insertion.



Security package: special forms of the drive pin prevent unlocking with picking tools and drilling of the cylinder.



Special functions: different shapes of coupling enable important features such as the emergency function. The locking cylinder can be operated providing a suitable key is already inserted in the cylinder on the opposite side.



BKS offers documented security – verifiably protected. If you need a new key or cylinder, you can safely and reliably verify your identity by presenting the BKS security card to your specialist dealer personally and also very easily and conveniently from home with the new BKS identification app.



BKS identifikation

Authentication for reordering keys and cylinders via app!



NEW

