

## livius6000 product range – one key for all eventualities

- 1 **Double cylinder:** available as standard cylinder with special cylinder cams or with additional features
- 2 **Half cylinder:** can be used universally in many additional locks
- 3 **Padlock:** also available with extra-thin or high shackles
- 4 **Cylinder cam lock:** suitable for various letter boxes with different locking levers
- 5 **Switching cylinder:** with microswitches for controlling external electronic control devices
- 6 **Rim cylinder:** locks or unlocks rim locks from the outside of the door
- 7 **Knob cylinder:** the cylinder thumbturn can be selected, exchanged or replaced

**Do you have any questions?**  
Your specialist dealer will be pleased to give you advice.



## Security has a name, or to be more precise, a brand – BKS

BKS GmbH, a member of the Gretsch-Unitas group, stands for more than 100 years of experience in the development and manufacturing high quality locking systems. Ever since the round cylinder was developed in 1938, BKS GmbH has been, and still remains today, a market leader in the field of locking technology and security.

BKS cylinder systems offer individual tailor-made solutions. They are manufactured according to exacting quality standards. Opting for a BKS master key system, you choose outstanding quality of function and design. Countless patents and certificates testify to the innovative prowess of all BKS products. They give you flexible design options, also when retrofitting in existing buildings.



” The range of products for the livius6000 locking system includes a large assortment of cylinders for many applications – also for upgrading or extending your master key system by incorporating electronic components.



Gretsch-Unitas GmbH  
Baubeschläge  
Johann-Maus-Str. 3  
71254 Ditzingen  
Germany  
Tel. +49 7156 30 1-0  
Fax +49 7156 30 1-77980

BKS GmbH  
Heidestr. 71  
42549 Velbert  
Germany  
Tel. +49 2051 201-0  
Fax +49 2051 201-9733

[www.g-u.com](http://www.g-u.com)

Your security specialist dealer

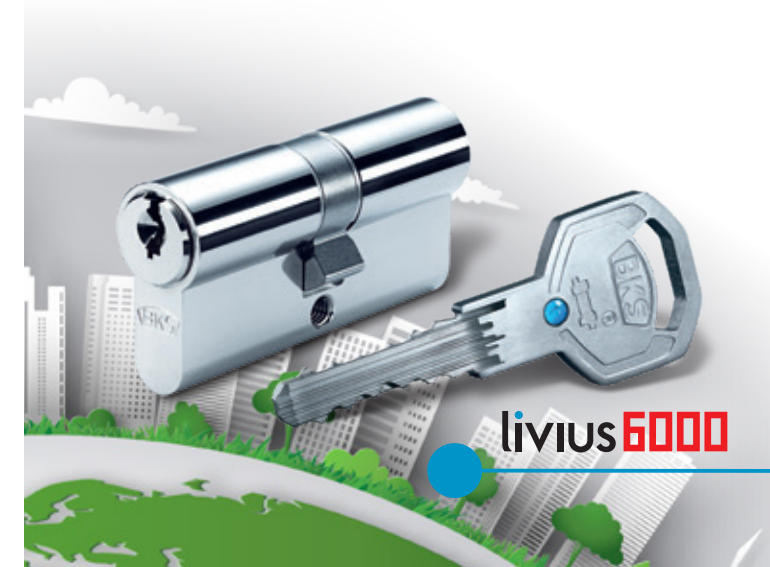
### Copyright notice

© All illustrations and texts in this brochure are protected by copyright. Unless otherwise stated on the image, the rights belong to the Gretsch-Unitas group. Any use of copyright protected materials without the consent of the holder of the rights is prohibited.

### Publisher

Gretsch-Unitas GmbH Baubeschläge | Johann-Maus-Str. 3 | 71254 Ditzingen, Germany  
Tel. + 49 71 56 3 01-0 | Fax + 49 71 56 3 01-2 93

WPO1006-04-4-2 05/2023 Printed in Germany



livius6000

MORE SECURITY

High convenience in every application range

Reversible key system

| A company of the Gretsch-Unitas group

# livius6000



## High convenience in every application range

Double-side key insertion ensures highly convenient operation which is supplemented in the livius6000 system by a versatile product range for many applications. With the patent protection livius6000 offers security you can count on.

livius6000 is the ideal reversible key system to choose if you wish to install mechanical security technology in your home with a registered differ, or equip your multi-family homes or commercial premises with a master key system.

### FEATURES

- Reversible key technology: the key is very convenient to use, even in poor lighting conditions.
- More comfort even with tall or heavy doors: the generous grip area of the key means straightforward opening and closing via the cylinder.
- Striking design: the blue-coloured ball is a sign of BKS quality and accentuates the symmetry of the reversible key.
- Great operation: the extended key shoulder makes livius6000 well suited for security hardware with a cylinder cover.
- Straightforward handling: the symmetrical design and familiar upright key position ensure intuitive operation.
- Protection against bumping as standard.
- Drilling/picking protection to prevent forced opening.
- Emergency function that prevents blocking by inserted keys.

## livius6000: flexibility and high level of convenience

livius6000 locking cylinders are based on the tried-and-tested single-row pin arrangement and impress with their modern reverse key technology. The locking system has six separate pin tumblers as standard. The cylinders are suitable for a wide range of applications and are available in different function variations.



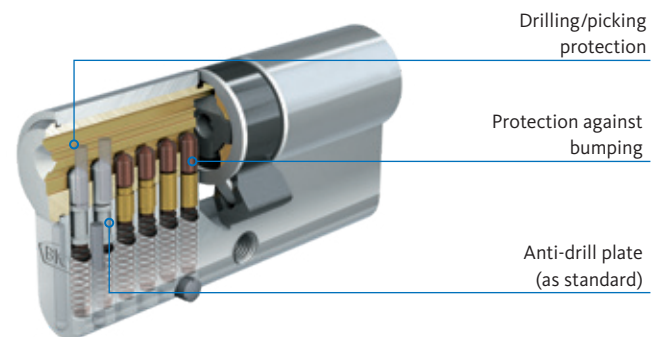
**Easy operation:** the cylinder plug features a reversible key profile and a key channel for better insertion.



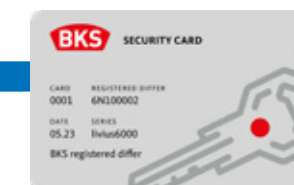
**Security package:** picking and drill protection pins form an effective security package. They guarantee security in regard to drilling/picking protection against forced opening and manipulations attempts.



**Flexibility:** mechanical, mechatronic and electronic access points can be perfectly combined by integrating the electronic locking system ixalo | SE.



BKS offers documented security – verifiably protected. If you need a new key or cylinder, you can safely and reliably verify your identity by presenting the BKS security card to your specialist dealer personally and also very easily and conveniently from home with the new BKS identification app.



### BKS identifikation

Authentication for reordering keys and cylinders via app!

